

SESSION INFORMATION

- A. TARGET DATA:
 Task/Target No. : 93-180-P
 Session No. : 01
- B. PERSONNEL DATA:
 Source No. : ~~049~~
 Monitor's No. : NA
 Beacon/Sender No. : 079
- C. SESSION DATA:
 Date Task Received : 22 MAR 93
 Session Date : "
 Start Time : 1015
 Stop Time : 1040
 Method Used : CRV
 Aids/Distractions (PIs) : Frustration, etc.
 Pre-session Hunches (AVs) : None
 Date Summary Returned : 22 MAR 93
- D. EVALUATION DATA:
 Viewer's Estimate :
 Evaluator's Estimate :
- E. SESSION SUMMARY:

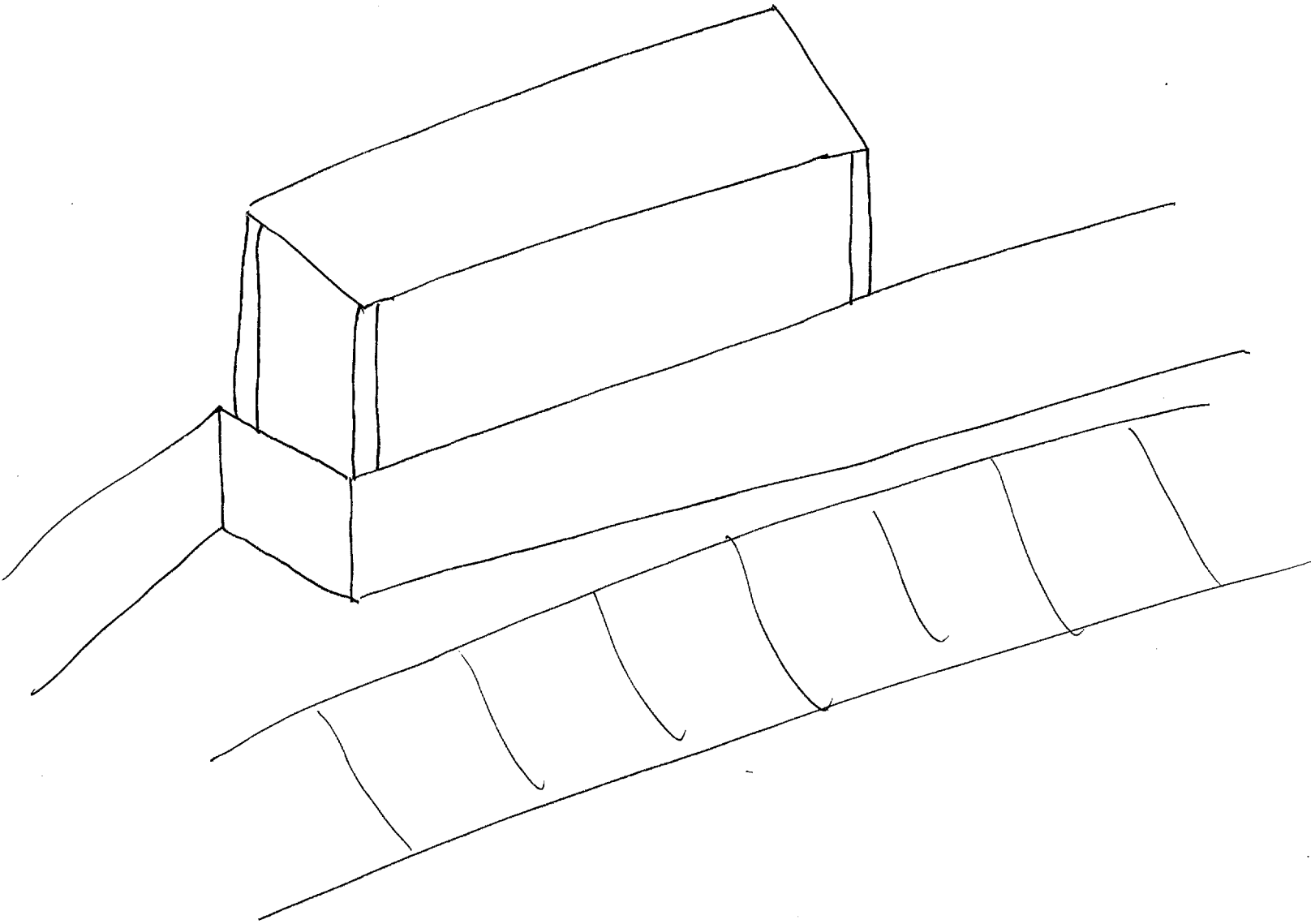
The target contains one structure that is open and airy. It sits along a set of parallel lines. It is associated with a long, round cylindrical object which has a circular, rotating motion and is energized. A ring moves up and down, or back and forth, along the axis of the latter object.

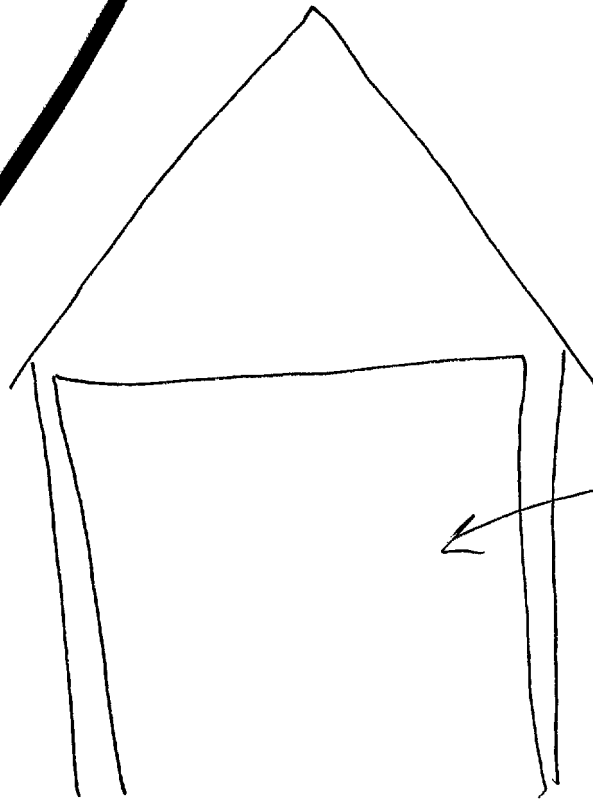
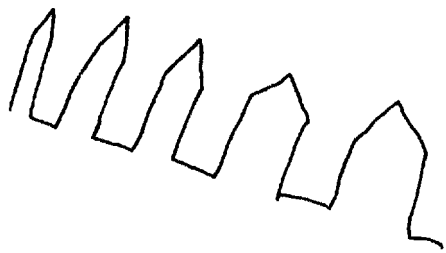
There is another structure which appears as a squared-off horse shoe with two levels. This particular structure feels old; *(see diagram C, page ii)*.

The concepts of "configuration" and "folded objects" are associated with the round, cylindrical object (see page iii). There was the feeling that something large passed overhead. This object had a pulsating, energetics sound.

There is an overall feeling that I was orbiting earth and the concept of being in an "outer world". The target feels "space oriented". There is a very scientific feeling to the target. Also that of research and exploration.

Pre State A sketch

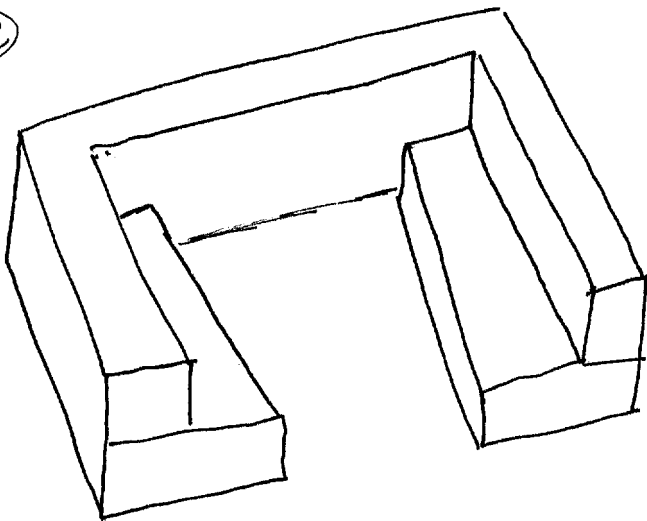




← open;
any

(a) (b)

(c)



(c)

