

Summary of Information

The target area contains hard and soft land, structures and involves movement and processing reminiscent of assembling something. There is the sense of isolation in the sense reminiscent of the feeling on an island or peninsula. There is a spirally aspect to this site. There is a sweet soapy smell and an acidic taste. There are the concepts of "punky" and "putrid" associated with the target.

There are deep cracks within something. At least one individual is walking leisurely and is looking down alot. There is something falling. There are feelings of warm and balminess, smoothing and peacefulness, contentment and "cruising". There is the concept of "low-keyed" or "going with the flow".

There are fast, angular objects moving fast within one portion of the target. There is a group or series of interlocking pieces or objects either inserted into other objects. One object in particular (see diagram) itself either inserts or fits into something else.

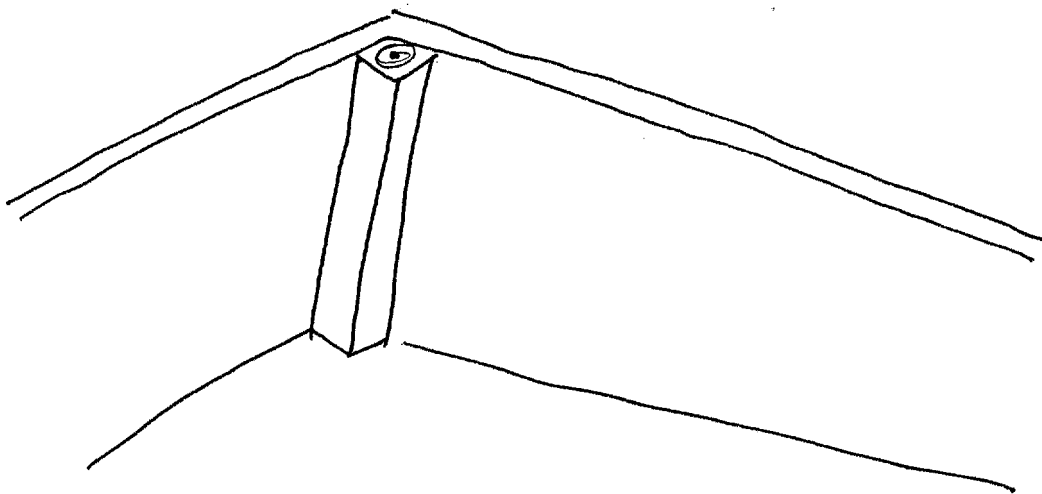
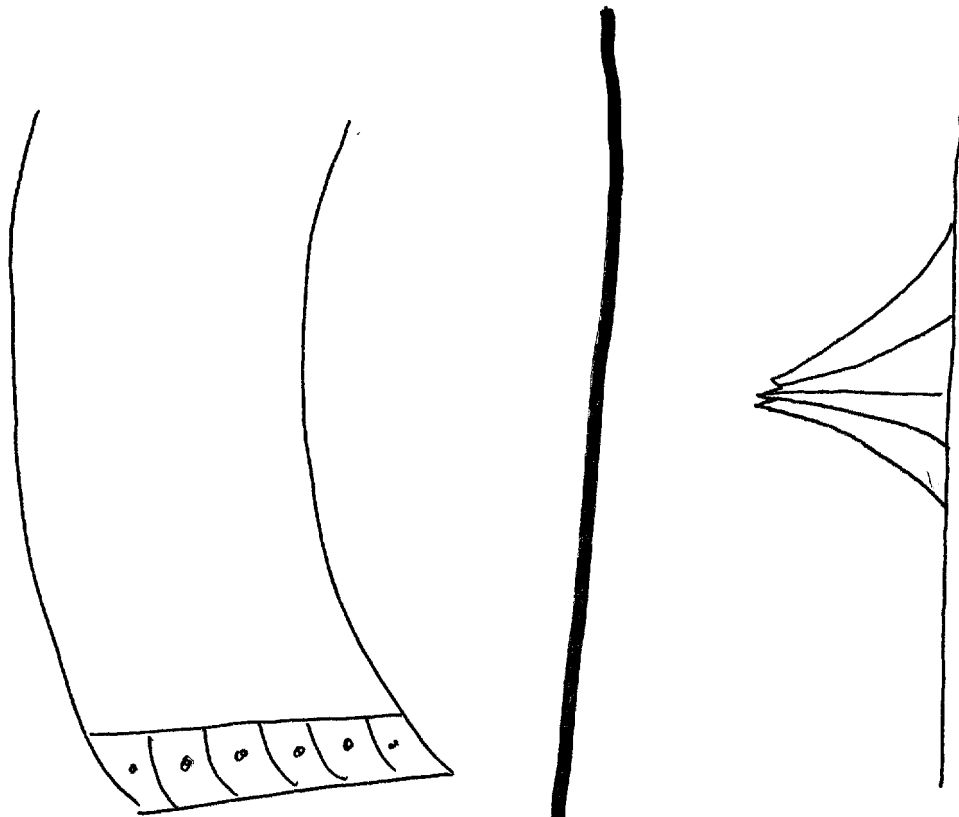
There is steam or smoke. There is the flowing movement of a substance which is used for cooling or for transferring something.

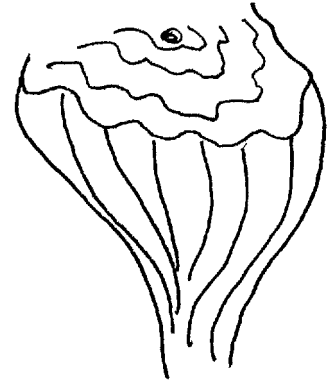
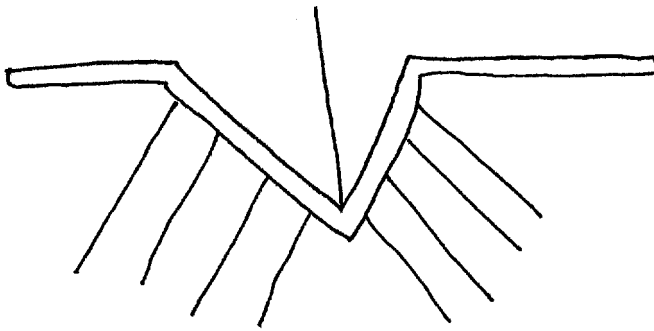
There is a bright light behind an angular object. Light is also reflecting off of the angular surfaces. A group of objects are aligned and hanging on a wall or other support system.

One location is much older than the rest of the area. There is lots of wood and wooden buildings within this place. The concepts of tradition and history are also associated with this specific section or location. There are flat expanses which feel as if they have been used, or are used, for social gatherings.

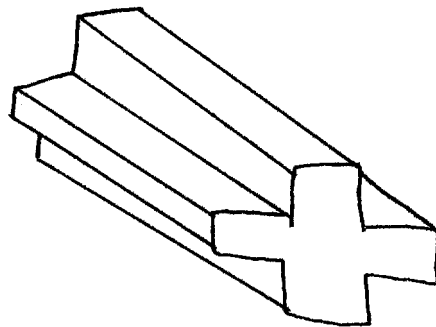
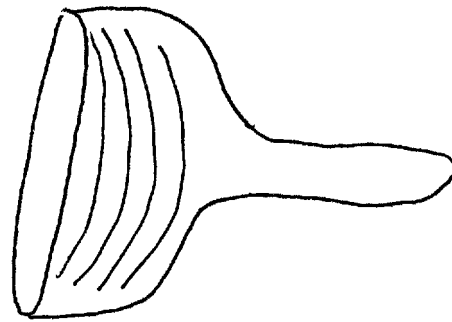
There is the concept of a time "envelope" for which an event or activity of some sort is to occur. The terms "scheduled", "regulated" and "judged" have application here.

The words "MOSE", "MOSEK" or "MOSING" were perceived.





↑
u/i objects →



- grey metallic object
- either inserts or fits into something else.

SESSION SUMMARY

A. SESSION DATA:

Task/Target No.	<u>91-10-G</u>	Source No.	<u>049</u>
Date Task Received	<u>22 Aug 91</u>	Date Summary Returned	<u>23 Aug 91</u>
		Session Date	<u>23 Aug 91</u>
Target Designator	<u>336852</u>	Session Start Time	<u>1033</u>
	<u>243347</u>	Session Stop Time	<u>1114</u>
Beacon/Sender No.	<u>NA</u>	Session No.	<u>01</u>
Session Type	<u>S</u>	Session Method	<u>CRV</u>
	(M)onitored, (S)olo		(CRV, ERV, WRV, etc.)
Monitor No. (if any)	<u>NA</u>	Estimate of Outcome	<u>M</u>
			(High, Medium, Low)
Possible Session Aids/ Distractions:	<u>None</u>		

B. SESSION SUMMARY: (Below, or see summary and worksheets attached)

see attached

SESSION TASKING SHEET

Source No. 049

Date Task Initiated 22 Aug '91

Suspense Date 23 Aug '91

Task/Targeting No.: 91-10

~~Method/Technique:~~ Method/Technique: Method of Choice

Target Data Desired:

1. DESCRIBE KEY TARGET FEATURES (include forms, shapes, spatial aspects, color, motion/dynamics):

- Emphasize the following: _____
- Do the following perspectives:
 - Ground-level
 - Overview
 - Other: _____

2. IDENTIFY KEY TARGET CONTENT (include meaning, purpose, function, nature of activity, type/nature of people, if present):

- Emphasize the following: _____

3. IF PERSONALITY, DESCRIBE: _____

4. OTHER: (or see attached)

This is a training target. This is not a personality target.

5. ADDITIONAL GUIDANCE: (see attached)

- Optional Coordinates: 336852/243347.
- Submit summary NLT 1200 hrs, 23 Aug 91.