

7-1

TASKING SHEET

SOURCE NO. 049

DATE 20 FEB '92

SUSPENSE: 20 FEB '92
1500 hrs.

TASK NUMBER: 92-12-T

METHOD/TECHNIQUE: Method of choice

TARGET DATA:

1. DESCRIBE KEY TARGET FEATURES:

- Include forms, shapes, densities, dimensional aspects, colors, Dynamics.
- Provide an overhead, ground-level perspective.

2. IDENTIFY KEY TARGET CONTENT:

- Describe purpose, function, and people at the site (if any).
- Other: _____

3. PERSONALITY TARGET:

- Address physical, mental, emotional, intellectual and philosophical and professional aspects of target personality.
- Describe avocations and dominant interests.
- Describe notable accomplishments ascribed to the target personality.

4. DESCRIBE THE TARGET:

5. OPTIONAL COORDINATES: 92 43 71 / 40 83 39

6. COMMENTS: See attached.

SESSION INFORMATION

- A. TARGET DATA:
Date: 20 Feb 92
Task/Target Number: 92-12-T
Session Number: 01
- B. PERSONNEL DATA:
Source Number: 049
Monitor Number: NA
- C. SESSION DATA:
Session Start Time: 1434
Session Stop Time: 1516
Method Used: Sole ERV
Distractions/Hunches: None
- D. EVALUATION DATA:
Viewer Confidence (H/M/L): ? —
Evaluator's Estimate: _____
- E. SESSION SUMMARY:

(see attached)

92-12-T
049
20 Feb 92

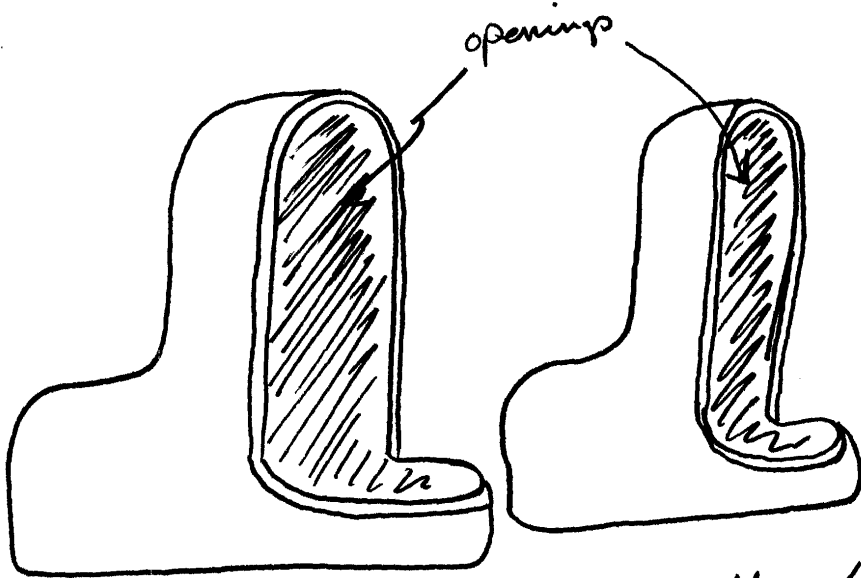
Summary of Information

Perceived a gigantic/huge bowl or dome-shaped object. The interior of it had a lattice-type pattern to it. It was very high up and hollow feeling. I felt at least some people moving around in a somewhat orderly fashion. Others seemed to be haphazardly moving around.

There were two objects in alignment in which either someone or thing entered through the openings. It felt dark and hollow inside. These openings became passageways or conduits to somewhere else.

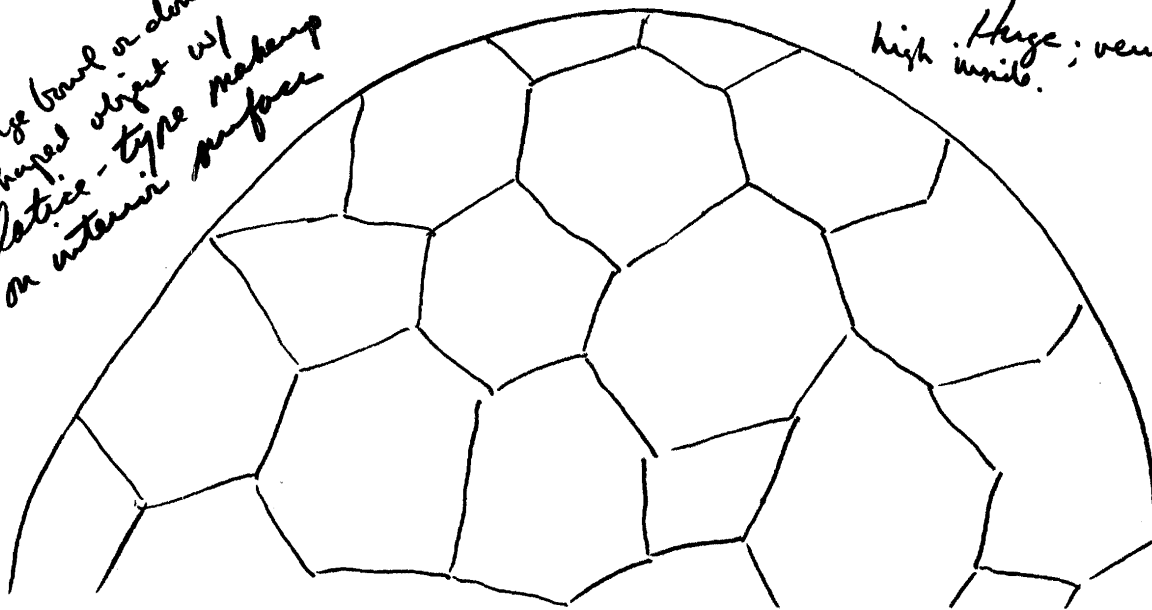
There is a large, rectangularly-shaped object which is centrally located within a large room or structure. It falls from high up, hits on one end and then falls over flat. There is a sense of extreme danger or hurt associated with this event.

There is a weird translucent or iridescent light or aura which pervades the area. In some places it appears blue-gray, others light green and still in other places it has an empty feeling to it, like being in outer space.

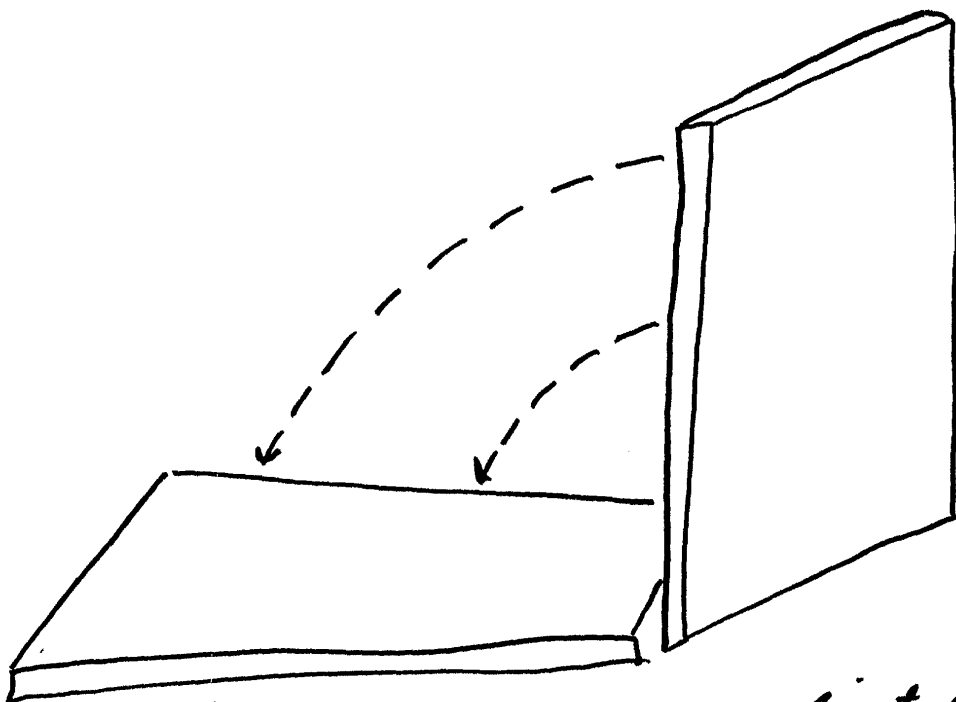


Two in alignment; something / someone enters through openings; feels dark, hollow inside; passageways or conduits to somewhere else.

Large bowl or dome - shaped object w/ lattice-type marking on interior surface



high. Huge; very wide.



Large solid rectangular object falls
for high up; hits on its end and
falls over flat. Centrally located
within large structure (ie auditorium,
theater, arena, etc) Sense of extreme
danger or hurt associated with
this event.

10 February 1992

MEMORANDUM FOR: CH, ODT-S

SUBJECT: Topical Searches

1. Suggest we conduct topical searches on Tuesday and Thursday of the work week for a one-month period. For example, During the month of February, we could be working on issues scheduled to occur in March 1992.

2. Further suggest that any or all of the following topics be considered as points of focus during the conduct of the topical search proficiency testing:

- a. Acts of God (earthquakes and other natural disasters).
- b. Man-caused catastrophes (air crashes train crashes falling bridges).
- c. Events related to international political (non-US) personalities.
- d. Events related to criminal justice eg, kidnappings, fugitives etc.
- ~~e. Parapsychological breakthroughs~~
- f. Significant human accomplishments (medical, space, inventions).

G

TOPICAL SEARCH - COMMENTS:

- The topical search consists of the conduct of a remote viewing session directed against targets whose outcome is in future time. It is predictive in nature and normally addresses targets of distinctive high interest and public notoriety.

- Targets may include but are not limited to significant events, accidents, catastrophes, significant political/military events, significant human accomplishments or any other type information that would likely be on front page news.

- This project will be initiated Thursday, 20 Feb 92, and will be performed on a regular basis every Thursday for the next month. This project could be extended.

- All inputs are due COB, each Thursday.

- The "future time window" may be any time between 1 to 6 days following the Thursday session.