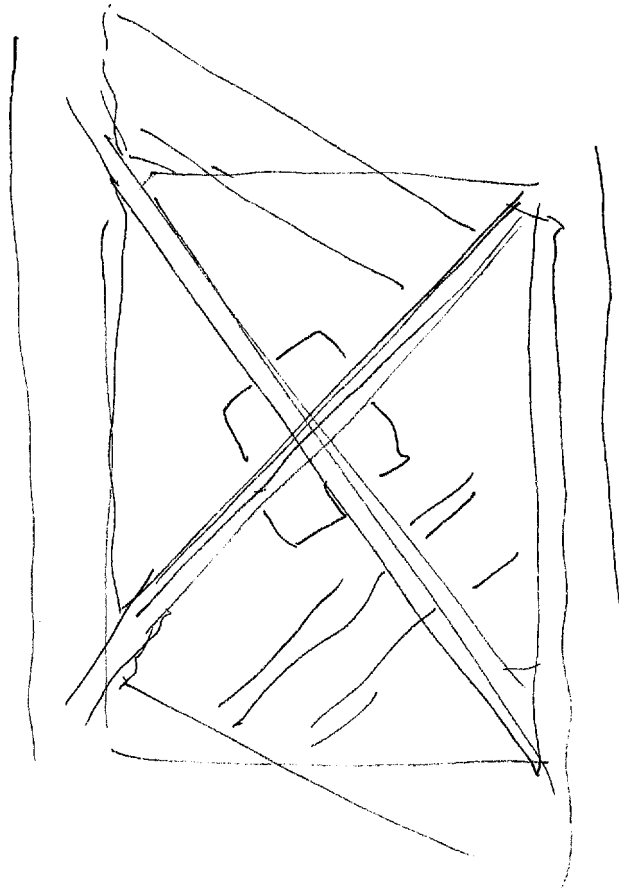
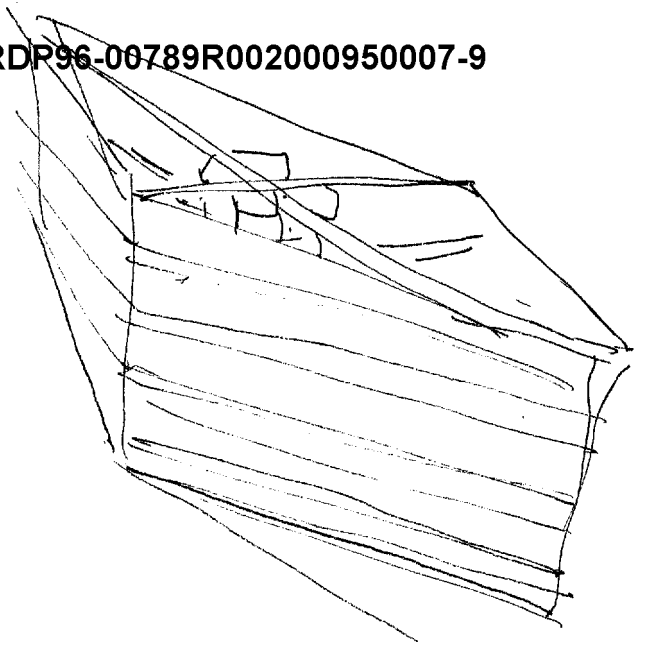


SRV ENVELOPE, 14 May 1987

SG1J [REDACTED]

Site involves some sort of modular, insertable component made of criss-crossing support members with intersticing and space between. The idea of laminate and supporting is involved, as well as metal and "composite". Strong feeling of red. It is a part/segment of a larger structural entity that does something as a collective unit. The idea of parallelogram is significant. "Conductive" seems to play a role in the purpose of this component, in some sort of "transporting" sense. The larger structure/object of which this is a part has a very clearly defined purpose that can be directed and executed by the people who control it. The people who have this want to maintain control of the technology involved, and go to significant lengths to protect it, though they will not hesitate to take the risk of using it if the situation warrants.



envelope sketch