

SECRET/NOFORN

PROJECT SUN STREAK

WARNING NOTICE: INTELLIGENCE SOURCES AND METHODS INVOLVED

PROJECT NUMBER: ~~██████████~~ 5305 SESSION NUMBER: 001

DATE OF SESSION: 23 May 89 DATE OF REPORT: 8 June 89

START: 1425 END: 1505

METHODOLOGY: CRV VIEWER IDENTIFIER: 011

SG1A

1. (S/NF/SK) MISSION: Access and report on a target identified only by encrypted coordinates. (Monitor was also blind as to target, ██████████)

SG1A

2. (S/NF/SK) VIEWER TASKING: Encrypted coordinates 768277/924599.

3. (S/NF/SK) COMMENTS: Source accurately accessed and described target.

4. (S/NF/SK): EVALUATION: 4

HANDLE VIA SKEET CHANNELS ONLY

SECRET/NOFORN

CLASSIFIED BYH: DIA (DT)
DECLASSIFY: OADR

Search 9

~~SECRET~~
WORKING PAPER

START: 1425
STOP: 1505

P 5205
23 MAY 89
VOII
SOI

SUMMARY OF INFORMATION

THE TARGET OF INTEREST APPEARS TO BE A LARGE OBJECT. THERE ARE TWO ASPECTS TO THIS TARGET; ONE IS TALL, POINTED, AND CAN BE SITUATED AT VARIOUS ANGLES FROM APPROXIMATELY 15 TO 90 DEGREES PERPENDICULAR TO THE HORIZONTAL AXIS; THE OTHER ASPECT IS LONG, ANGULAR AND HORIZONTAL. ASSOCIATED WITH THIS OBJECT IS A FEELING OF VERTICAL VELOCITY.

AOL: THE OVERALL CONCEPT OF THIS OBJECT IS SOMETHING THAT FUNCTIONS "LIKE" A MISSILE IN SOME TERMS, BUT ALSO "LIKE" AN ARTILLERY PIECE IN OTHER TERMS.

HANDEL VIA SKEET CHANNELS ONLY

Platone
AVS-None

23MAY89

1425~1505

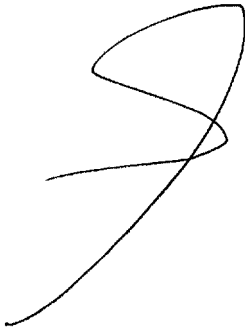
768277
924547



n. across, angle
up, curving over,
horiz
B structure

A. vert up, incl
down
hand
2

768277
924599



768277
924599



A. across, flat,
angle, incline up,
incline down
hard
B. structure

S-2

smooth
hard
grey
hard

up.
incline
peak
angle

triangular

768277
924599



1. accords, angle
up. incline, angle
incline down
hds
2. structure

S-2
hard
smooth
up
tall
incline
angular
angular
triangular
pointed

hard
smooth
gray
metallic
red
gray

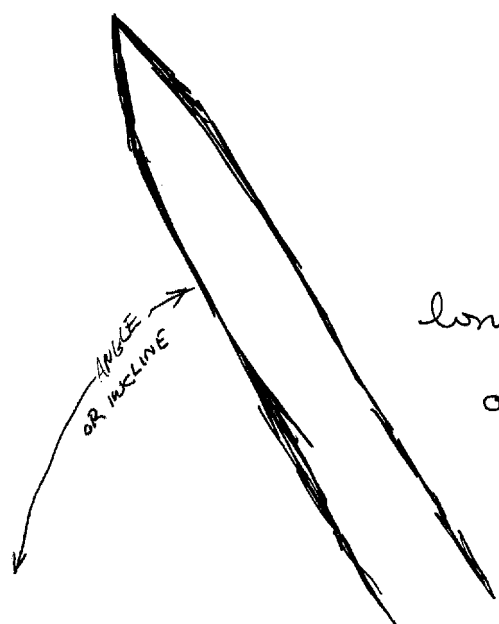
AOL Break

like a missile

S-2
long
pointed
tall


AI
the vertical and
horizontal aspects are confusing

It's target is a structure, but it seems
like some kind of object, albeit a rather large object



UNDECLARED AOL
like Washington monument

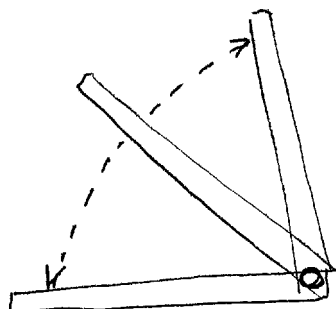
long, tall, angular, pointed
oblique

 — angling obliquely away from me

AI Break

Something odd about this objects
location in space/time

perceive movement of object from horizontal to near vertical on an incline



AOL Breaks

AOL - like a mobile missile system

AOL - like a large artillery piece

hard
grey
smooth
metallic

heavy
long

object

objects

projectile-like
trajectory

AOL

confusion break

feel that i'm dealing with something
that acts like a missile in some turns
but also like an artillery in another

in others I'm getting an overlay of traditional
artillery overlaid with a missile concept.

red
grey

horizontal / vertical

in other words there is a long horizontal
axis to the object, but also a tall vertical axis
to this object — but not necessarily at the same time.

S-2

AOL

A/S

NATURE/PURPOSE?

large

sweeping up



like a missile

~~AOL/S~~
SA-5

1505