

9 NOV 87

SECRET/NOFORN - SKEET CHANNELS ONLY

PROJECT SUN STREAK (U)

WARNING NOTICE: INTELLIGENCE SOURCES AND METHODS INVOLVED

Session Procedures Report (S/NF/SK)

-----

PROJECT NUMBER: 8719	SESSION NUMBER: 1
DATE OF SESSION: 5 NOV 87	TARGET COUNTRY: IRAN
REFERENCE:	MISSION STATUS:
TECHNIQUE UTILIZED: CRV	SOURCE IDENTIFIER: 011

-----

1. (S/NF/SK) Monitor Tasking: (See tasking cover sheet, attached).
2. (S/NF/SK) Source Tasking: Encrypted target coordinates only.
3. (S/NF/SK) Summary: No summary was requested of 011; the target was acquired in Stage 1 but, upon moving [inside] the structure, the tenor of the information began to change--011 seemed to have lost the target and, although Stage 3 movement exercises continued to land 011 back on the site, the perceptions of the structure's [inside] did not corroborate known site-related data. Both 011 and the monitor (later) agreed that there seems to be an area of archeological interest beneath the target structure, an area which held great attraction to 011 throughout most of the session.
4. (S/NF/SK) Comments: Having identified the problem, 011 should have no problem addressing the EEI in session #2.

SG1J



CPT, USA

SECRET/NOFORN - SKEET CHANNELS ONLY

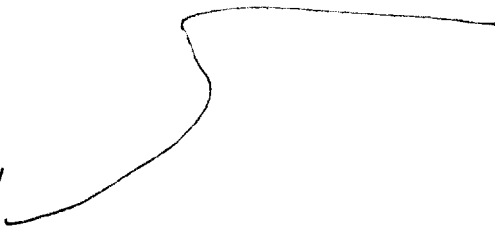
CLASSIFIED BY: DIA-DT  
DECLASSIFY : OADR

**SG1A**

**Approved For Release 2000/08/08 : CIA-RDP96-00789R000200240002-2**

**Approved For Release 2000/08/08 : CIA-RDP96-00789R000200240002-2**

681001  
187811



to incline up, vert up  
 angle across  
 hard  
 to structure

681001  
187814

4. water up, currents  
over, across, flat  
hard  
A land

681007  
18781



A - across, angle up,  
angle across, very  
flat  
hard

B. structure

S-2?

brown  
reddish brown  
~~earth tone~~

green

brown  
reddish brown  
earthy

roundness  
curving

sandy  
gritty  
loose

As. broab  
like sand or  
dirt

S-2

A/S

INSIDE?

purplish red  
dark

shadowy

curving  
arched  
angle  
pointed



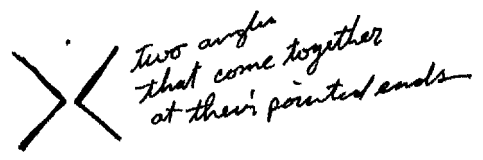
red  
yellow

hard  
rough  
chalky

stone-like

room

grey



two angles  
that come together  
at their pointed ends

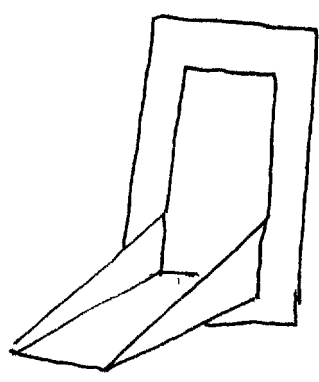
grey  
light blue

large  
empty  
arched

room

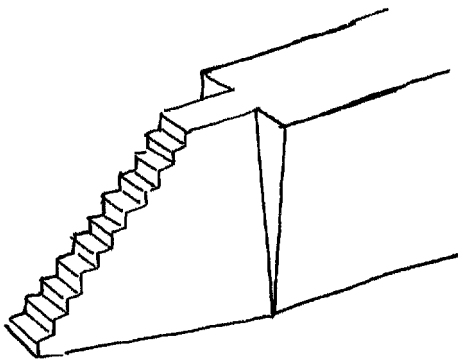
INSIDE?

square  
rectangle  
inclin



ramp

door break  
like a castle  
drawbridge



large  
rectangular  
flat

platform-like  
stairs

dark  
rough

ACTIVITY?

person

4 1/2 - person hurrying up tall, steep staircase.... stop him and  
he has no time, but points down this long staircase.... follow down the  
staircase..... large, open, empty area.... feeling of water at the bottom

from safety something should be used

← across, curving around,  
loop, curving around,  
loop.



STRUCTURE  
INSIDE?

green  
rectangle  
liquid  
transparent  
green

tank

no break  
like an aquarium  
filled with antifreeze

curve  
curving  
straight  
round

large  
open  
spacious

1/2 - get the feeling that I'm down under - like in a basement  
or something.

dark  
dark  
musty  
dusty

storage  
forgotten objects  
lack of activity  
lost objects

no break  
like the basement of  
an old museum

AI break  
feel like I'm looking  
for the lost Ark

INSIDE?

light yellow

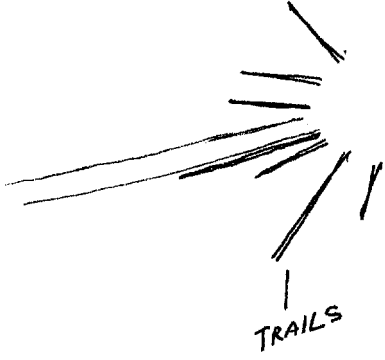
open airy  
straight lines  
angles  
square  
rectangles.

lots of natural light

lots of glass

Asl break  
like a modern airport.

TANGIBLE!



TRAILS

lots of trails

S-2:

D

AI

EI

TANK

I

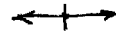
AOI

A/S

11.

Approved For Release 2000/08/08 : CIA-RDP96-00789R000200240002-2

ACTIVITY?



large

buildings

airfield

aircraft

AOI/S

RAMESKOYA

USSR