

IAGPA-F-SD


17 March 1983

MEMORANDUM FOR RECORD

SUBJECT: CENTER LANE Interview Summary - CL-998/8302/01 (U)

1. (S/NOFORN) On 150900 March 1983, source #01 was interviewed by #66 in an attempt to determine if there was any intelligence threat to the third floor of an unidentified building. The project 8302 sponsor had provided a schematic diagram of the third floor of a building (see Incl 1).
2. (S/NOFORN) For this interview source was given a sealed envelope containing the schematic diagram of the third floor. Source was not shown the schematic diagram or given any other identifying data. Source was not told what to look for or where operational interest was focused. He was simply asked to describe the third floor. The collection plan called for the use of all other data as "feedback" and further cuing for possible subsequent interviews.
3. (U) A transcript of the interview was prepared including a narrative explanation of the drawings which #01 provided (see Incl 2).
- 4 (U) A DA Form 341 (Agent Report) was prepared for the sponsor. This report related the salient points of the interview. Attached as an exhibit to the DA Form 341 was a copy of source's drawings (see Incl 3).

3 Incl
as


FREDERICK H. ATWATER
CPT/MI
OPS/TNG Officer

CLASSIFIED BY: MSG, DAMI-ISH
DTG: 051630ZJUL78
DECL: Originating Agency's
Determination Required

NOT RELEASABLE TO FOREIGN NATIONALS

SG1A

Approved For Release 2000/08/08 : CIA-RDP96-00788R001600250001-8

Approved For Release 2000/08/08 : CIA-RDP96-00788R001600250001-8

~~SECRET~~

TRANSCRIPT

- #66: This will be a CENTER LANE interview for 0900 hours, 15 March 1983. In the sealed envelope I've given you is a schematic diagram of the third floor of a building. Relax now and focus your attention on the area depicted in the schematic and describe a third floor of the building to me.
- #01: The first impression is a word or a phrase in some language. It's "mellakawaysa" or "mellakaysa" (phonetic spelling), something like that. I get an impression I'm standing inside an iron door, just inside a vault door, that's off a piece of the third floor. Short hallway, light beige colors. Far left is a...a larger room, with florescent lights and...see all kinds of communications equipment. Looks like a...a some form of voice demodulated type encryption gear, handsets or phones, printers, light greens..colors...On the other side hall has got two rooms, office type rooms,..desk, it's for message traffic's held, files of some kind are maintained.... End of the hall, I see another office. There's a map on the wall. Everything's very modern.
- #66: Describe your impression that makes you say modern.
- #01: Furniture, everything's freshly painted, bright, no old light fixtures all new,...don't see any windows.
- #66: Okay.
- #01: It's like a controlled area.
- #66: Did I understand you to say that this is a portion of the third floor?
- #01: That's correct.
- #66: Move back to the entrance of this area and describe the remainder of the third floor.
- #01: A complete different impression, I get a impression of a residential area now.
- #66: Okay. Refocus now on the area, the metal door, and then you have described going one way through that and describe the other way now.

NOT RELEASABLE TO FOREIGN NATIONALS~~SECRET~~

INCL 2

~~SECRET~~

- #01: Opens out on another hallway. As you come the metal door, you go left to right, longer distance right than left...I see offices. Rooms with cabinets and desks on the right hand wall. End of the hall is just a window, left side is a staircase and elevator. No, I think it's just a staircase. Get an image of glass doors for some reason.
- #66: All right. Now, very carefully, push the image of the third floor into a dollhouse overview. Describe what's in the center of the dollhouse overview.
- #01:Just get a big vacant area.
- #66: All right. Now move into that area. Move yourself down into that center area and describe it to me.
- #01: I just feel like I'm in a wire box. The box is a room. I'm just surrounded by mesh.
- #66: Okay. Now focusing on the third floor, focusing on the third floor, a visitor arrives on the third floor, describe how he arrives.
- #01: It's a double door elevator.
- #66: Stop. Move to the dollhouse view and position the elevators in the dollhouse.
- #01: Okay, I'm facing the center of the "U" of hallways....Come out of the elevator onto a hallway and it goes left and right, the ends, it goes right and left.
- #66: Okay. Stand at the entrance of the elevator and look straight in front of you.
- #01: It's an open area.
- #66: Okay. Now from the elevator, vector to the metal door area.
- #01: ..Ah, that's a..I feel like I leave the elevator and I go..towards the right 30 degrees, take a, it's like you go through another set of doors.
- #66: Type of doors?
- #01: Swinging doors of some kind or open doors, like an archway.

~~SECRET~~

~~SECRET~~

- #66: Material?
- #01: Glass..not all glass, glass and wood.
- #66: Okay.
- #01: I kind of walk across a carpet, diagonally to the right, there's the beginning of a corridor, metal doors immediately to the right as you start down the corridor.
- #66: Okay. Be careful not to wink in there. As you walk along, generally what's in the areas around you as you proceed down that way?
- #01: Impress...Impression of fancy furniture and decorative rug and pictures on the wall, low lighting.
- #66: Okay.
- #01: Like a hotel lobby, it would appear, but not, not a hotel lobby.
- #66: Okay.
- #01: Very decorative.
- #66: All right. Now,..beyond the physical descriptions of the area, I want to give you a moment to relax very deeply now and describe the activity of this area to me.
- #01: It's a government type activity in a foreign country.
- #66: Raw data?
- #01: Ah, everything in the building is..speaks of an nationality that's not native to the country it's located in.
- #66: Third floor focus?
- #01: Feeling of a..even more nationalistic direction..a..above, beyond politics, more to do with subterfuge, a collection.
- #66: Describe the personnel third floor.
- #01: Everybody on third floor is dressed in suits, but with coats off, sleeves rolled up. Some military, but a..under form of cover.

~~SECRET~~

~~SECRET~~

- #66: Nationality of third floor personnel?
- #01: I don't know, I think I'm getting a lot of overlay, I want to say American.
- #66: Raw data?
- #01: Mannerisms, the way they look. Everytime I try to get a language, I keep getting that word "mellakawaysa" or "mellakaysa" or something.
- #66: All right, fine.
- #01: I don't know if that's a statement in the language or--
- #66: Okay. We drifted conversational now, let's refocus, I have just a couple more questions.
- #01: I'm focussed.
- #66: Move now to communication equipment area.
- #01: Okay....See banks of black faced multi-dialed equipments appears to be extreme high frequency. Obviously, a...a transmission equipment, control equipment.
- #66: Okay. I'm not interested in a description of the equipment in this area.
- #01: I see a..problem, getting an overlay problem here, but not in the sense of overlay in our arena. I'm seeing a shadow to one side.
- #66: Report.
- #01: Something to do with a piece of furniture. Just keep getting this pulsing shadow from a piece of furniture, like a desk, edge of the table. Gun metal-gray, it's an edge, just pulsing. There's a...it's like a foreign object of some kind...It's embedded in a rubber pad. It's inserted in the metal edge of the desk or table top. There's this pulsing.
- #66: And the area surrounding this desk?
- #01:I see printers to one side and communications across the room, no windows, file cabinets.
- #66: All right. Now I have one other question.

~~SECRET~~

~~SECRET~~

- #01: Something peach colored. But, I don't know what it is.
- #66: There's something in the room that's peach colored?
- #01: Something on the table.
- #66: All right...Now in the schematic diagram, by design there are many different numbered positions. Ask yourself if any one of these positions is of importance to us and what is its number?
- #01: Okay, just a minute.....Position 5..
- #66: Raw data?
- #01: See a wall, position 5. Get a sense of layers of some kind.
- #66: All right.
- #01: Consistency of the layers change there for some reason...
- #66: All right. I have no other specific questions. But I would like to give you just a few moments now to explore this area, focusing on anything whose purpose would be to lessen or defeat security in this area.
- #01:The furniture is suspect, I think. Keep getting drawn back to this table edge or desk edge, this flat surface with a silver rim. I'd remove it, it's easy to do...and tear apart..that and the wall, the section of wall at 5, for some reason, bothers me. It's the difference in textured layering or something. But I can't fix on what it is, it's different. Keep getting the word soft, soft. That's all I get.
- #66: All right, fine. I'd like you to draw the perceptions that you've had.

~~SECRET~~

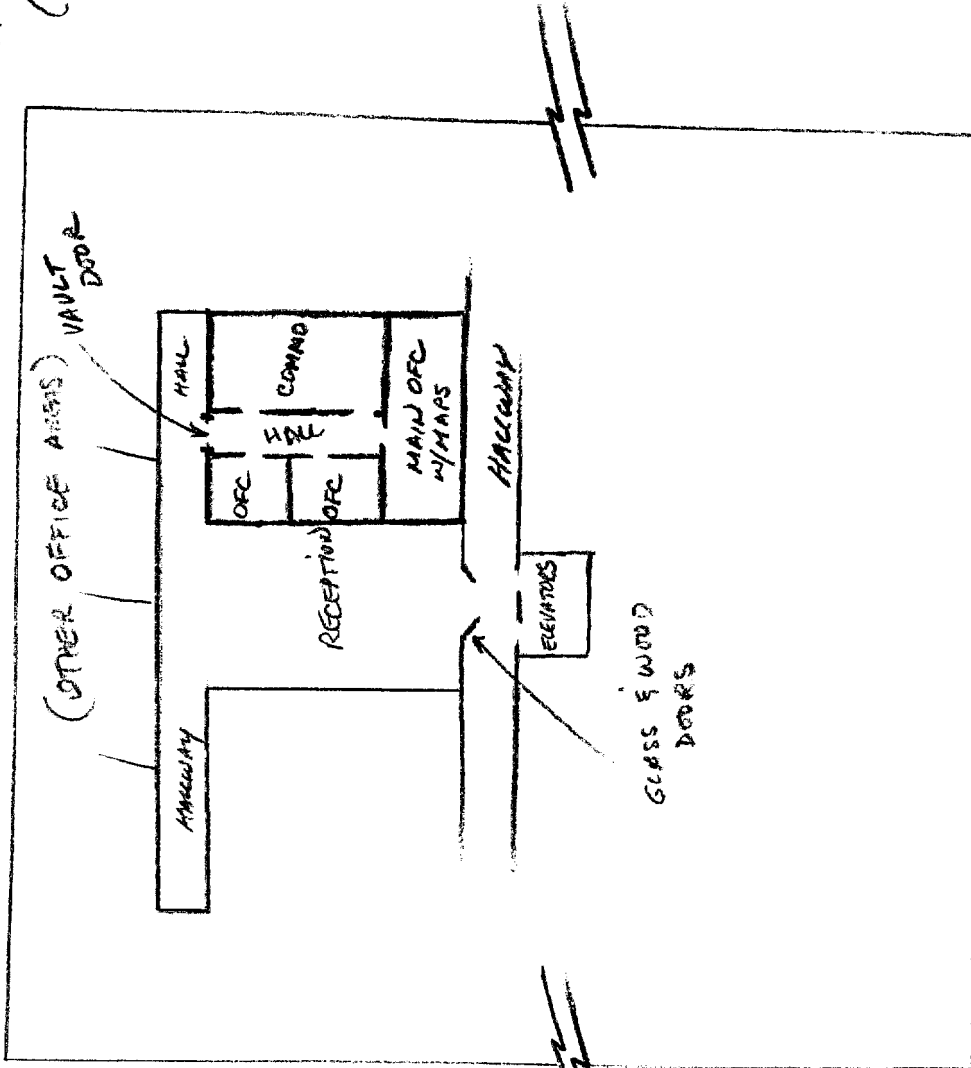
~~SECRET~~

DRAWING EXPLANATION

- #01: Okay page #1 is the general layout of what I perceive to be half of this third floor. I didn't get the bottom half of this layout, but the top half is the important part. The word of course that is kind of strange that popped up is written down here.
- #01: Page #2 is my impression of this edge of desk or table or edge of whatever it is, in the communications room and I've drawn arrows and things to depict the approximate location in the room as you're standing next it, the directions of all the other objects in the room.
- #01: And Page #3 is an expanded view of this bracket or edge or metallic thing, whatever it is and rubber pads and an object that's in it. And that's the summation of it.
- #66: Okay.

~~SECRET~~

IMPORTANT
WORD "MELCAKAWA YSA"
OR
"MELAKA YSA"
(PHONETIC SPELLING)



THIS AREA OF
3RD FLOOR NOT
EXPLORED.

(POSITION #S OF
SI CAN IMAGE FOR
A SOFT OR LAYERED
WALL.)

~~SECRET~~

LIGHT GREEN
WALL

PRINTER
HERE

TRANSMISSION
TYPE GEAR

VOICE ENCRYPTION
GEAR

AN EDGE OF A
SOME MORE
KIND OF
MATERIAL



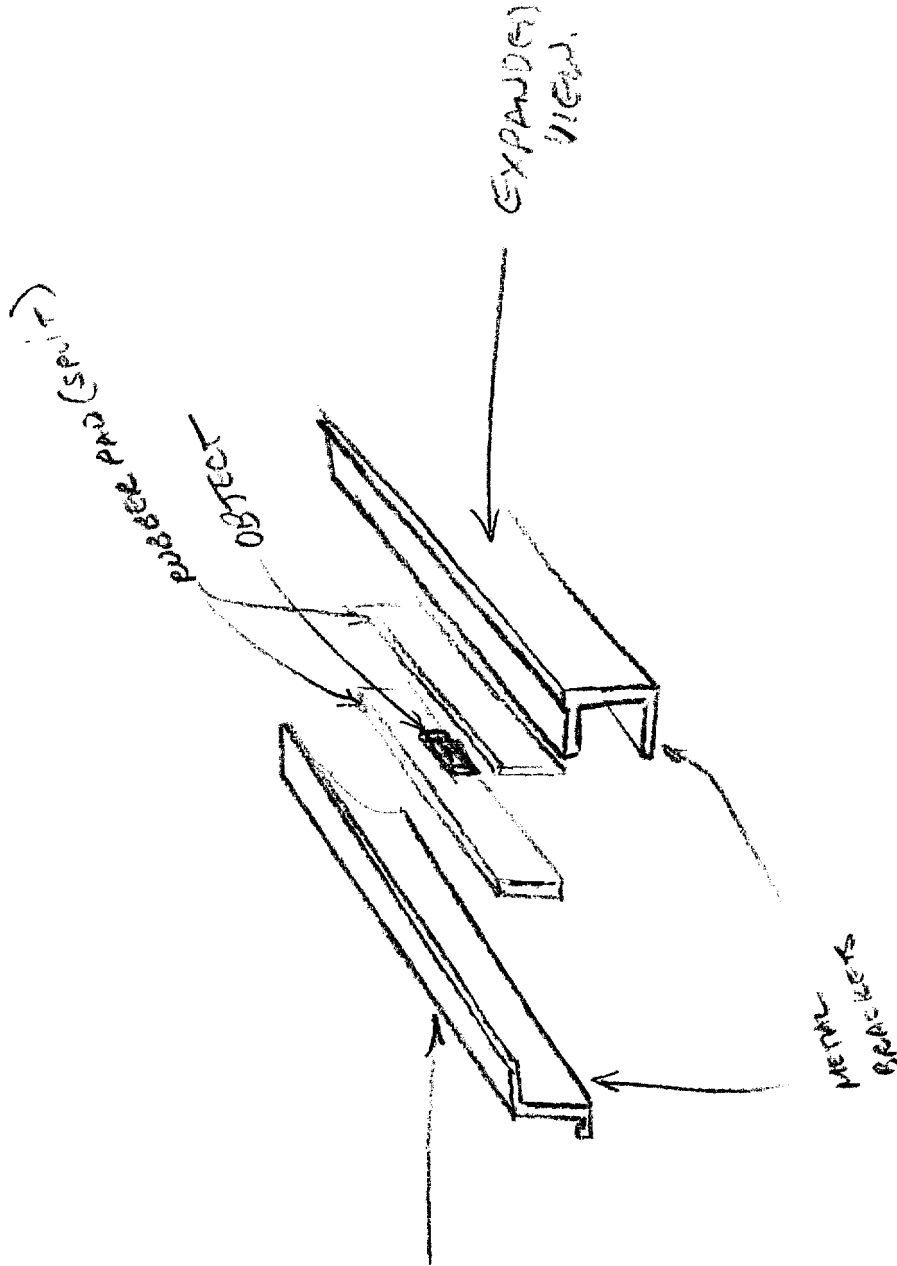
ENTRY
TO
ROOM

PERCH
OBJECT
HERE

~~SECRET~~

~~SECRET~~

(3)



~~SECRET~~

~~SECRET~~

AGENT REPORT

For use of this form, see FM 30-17(C); AR 381-20; the proponent agency is the Office of the Assistant Chief of Staff for Intelligence.

<p>1. NAME OF SUBJECT OR TITLE OF INCIDENT</p> <p>THIRD FLOOR UNIDENTIFIED BUILDING</p>	<p>2. DATE SUBMITTED</p> <hr/> <p>3. CONTROL SYMBOL OR FILE NUMBER</p> <p>CL-998/8302/01</p>
<p>4. REPORT OF FINDINGS</p> <p>On 15 March 1983, Source CL-01 was interviewed concerning the third floor of an unidentified building in an attempt to determine if there was any intelligence threat to the area. Source stated substantially as follows:</p> <p>On the third floor were offices. From an elevator and across a hallway, doors made of glass and wood led to a reception area that had fancy furniture, a decorative rug, pictures on the wall and low lighting, "like a hotel lobby." From the reception area a hall went to offices and an area with an iron vault door "like a controlled area." In this area was a room with communications equipment, two offices for holding message traffic and maintaining files, and a third office with a map on the wall (not further identified). This area had no windows and was characterized as modern with florescent lights. The area appeared to have been freshly painted.</p> <p>Source indicated the people on the third floor appeared to be American because of their "mannerisms and the way they look." They dressed in suits but with coats off and sleeves rolled up. Some of the people were military but under a form of cover. Source described the activity conducted on the third floor as government type activity involving subterfuge and intelligence collection. Source was unable to report the language spoken but did report an impression of a word "mellakawaysa" or "mellakaysa" (phonetic), which he felt was important.</p> <p>Source detected what he thought might be a foreign object of some kind embedded in a rubber pad and inserted in the metal edge of a desk or table top. This object (not further identified) appeared to be pulsing. It was in a gun metal gray desk or table. The desk or table was in a room with a printer</p>	
<p>5. TYPED NAME AND ORGANIZATION OF SPECIAL AGENT</p>	
<p>6. SIGNATURE OF SPECIAL AGENT</p>	

WARNING NOTICE: SENSITIVE
INTELLIGENCE SOURCES AND
METHODS INVOLVED.
NOT RELEASABLE TO
FOREIGN NATIONALS

CLASSIFIED BY: MSG, DAMI-ISH
DTG: 051630ZJUL78
DECL: ORIGINATING AGENCY'S
DETERMINATION REQUIRED

(continued)

DA FORM 341
1 APR 52

REPLACES WD AGO FORM 341, 1 JUN 47, WHICH MAY BE USED.

★U.S. Government Printing Office: 1982-361-846/228

~~SECRET~~

INCL 3

~~SECRET~~

AGENT REPORT

For use of this form, see FM 30-17(C); AR 381-20; the proponent agency is the Office of the Assistant Chief of Staff for Intelligence.

<p>1. NAME OF SUBJECT OR TITLE OF INCIDENT</p> <p>THIRD FLOOR UNIDENTIFIED BUILDING</p>	<p>2. DATE SUBMITTED</p>
<p>4. REPORT OF FINDINGS</p> <p>to one side and communications equipment across the room. This particular room had no windows and contained file cabinets. Source further noted, "something peach colored" on the table or desk.</p> <div data-bbox="186 514 1477 745" style="background-color: black; width: 100%; height: 110px; margin: 10px 0;"></div> <p>Source was unable to describe all of the third floor during this interview. No further amplifying information concerning any possible intelligence threat to the third floor was obtained from Source during this interview.</p> <p>Attached hereto as EXHIBIT I are drawings of the third floor area provided by Source.</p>	<p>3. CONTROL SYMBOL OR FILE NUMBER</p> <p>CL-998/8302/01</p>
<p>5. TYPED NAME AND ORGANIZATION OF SPECIAL AGENT</p>	<p>6. SIGNATURE OF SPECIAL AGENT</p>

SG1A

DA FORM 341 1 APR 52

REPLACES WD AGO FORM 341, 1 JUN 47, WHICH MAY BE USED.

★ U.S. Government Printing Office: 1982-361-646/8228

~~SECRET~~

US ARMY
INTELLIGENCE AND SECURITY
COMMAND

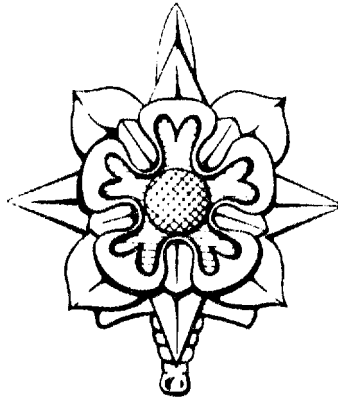


EXHIBIT
COVER SHEET

SUBJECT: THIRD FLOOR - UNIDENTIFIED BUILDING

FILE NUMBER: CL-998/8302/01

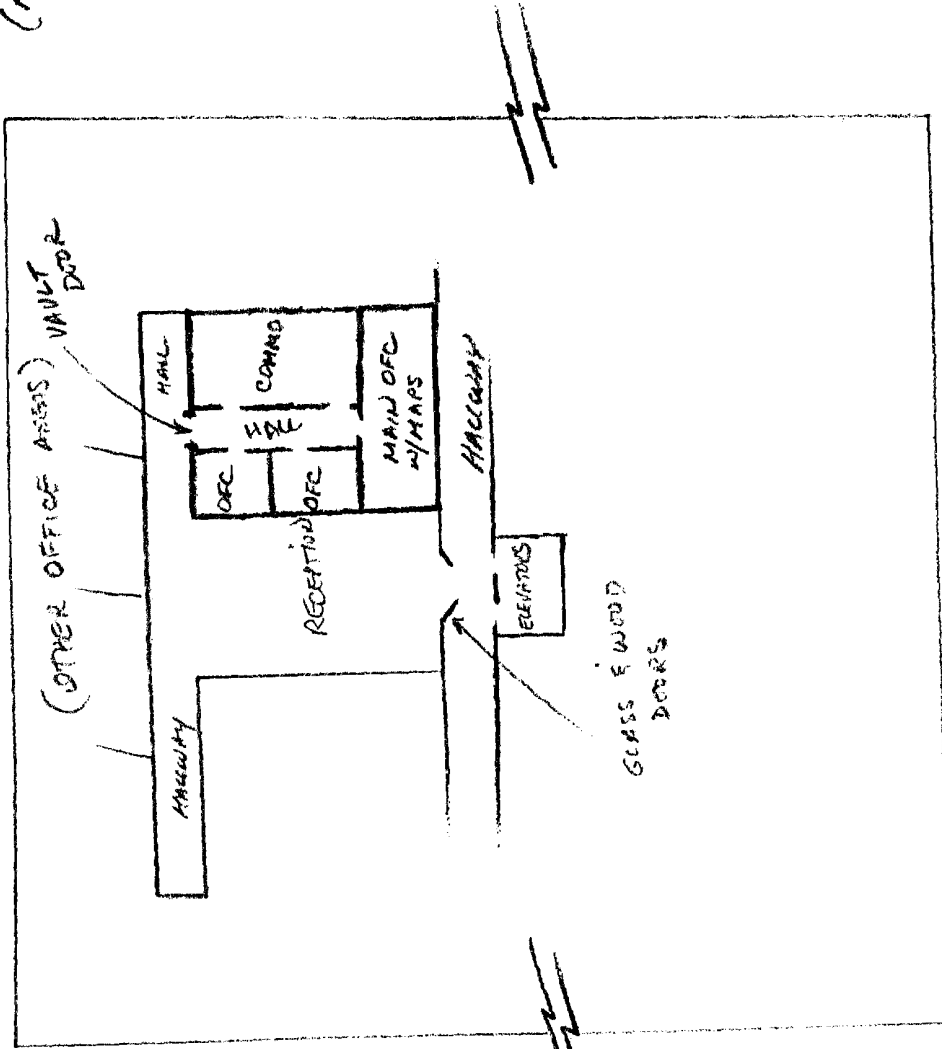
PREPARING UNIT:

AGENT REPORT DATED: 17 March 1983

DESCRIPTION: Drawings

1

IMPORTANT
WORD "MELAKAWAYSA"
OR
"MELAKAYSA"
(PHONETIC SPELLING)



THIS AREA OF
3RD FLOOR NOT
EXPLORED.

POSITION # 50
IS AN IMAGE OF
A SOFT OR LAYERED
WALL.

(LIGHT GREEN WALL)

WALKWAY TO BOSS OFFICE
OR DESK OR TRAY

PRINTER
HERE

TRANSMISSION
TYPE GEAR

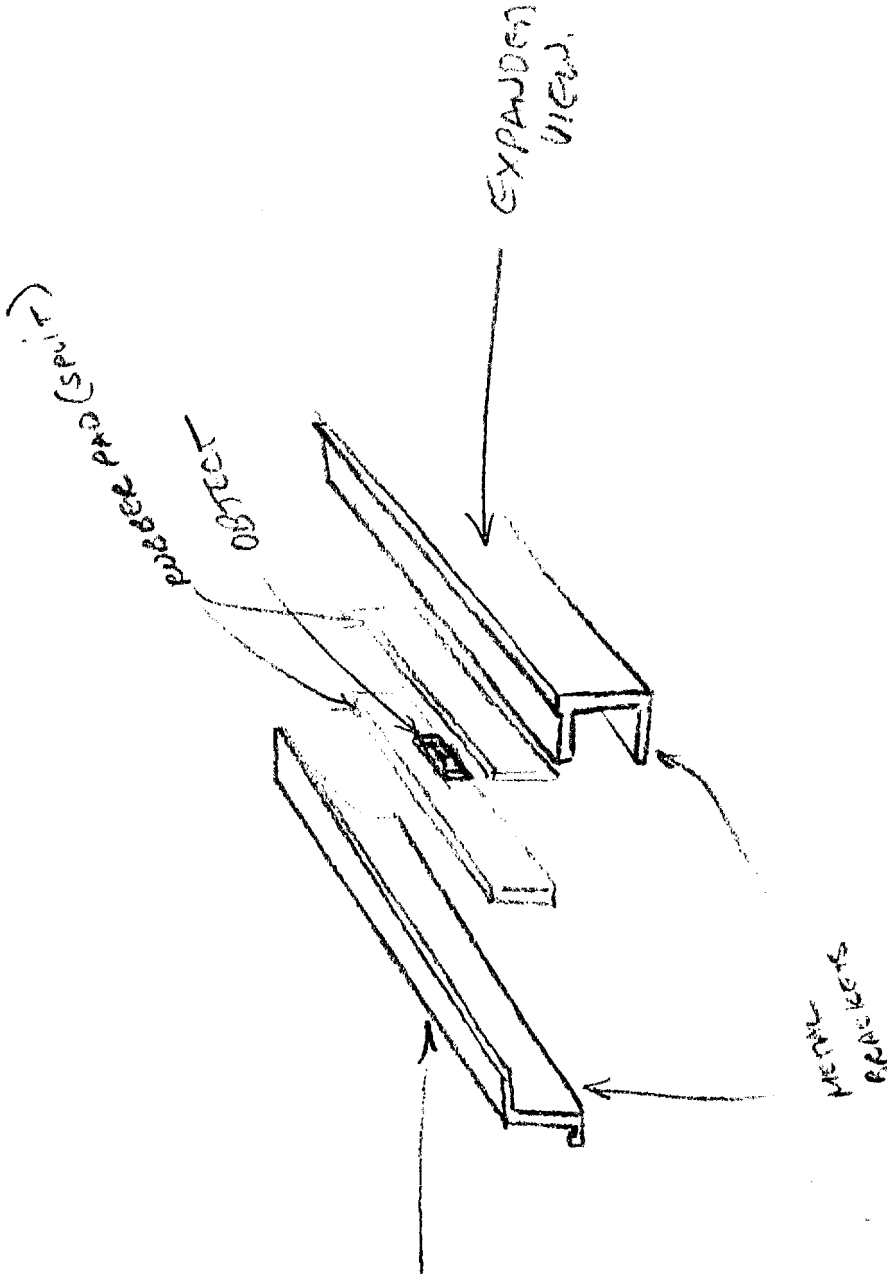
VOICE ENCRYPTION
GEAR

PEOPLE COLORED
OBJECT
HERE

ENTRY
TO
ROOM

~~SECRET~~

(2)



~~SECRET~~