

~~SECRET~~

Approved For Release 2000/08/07 : CIA-RDP96-00788R000900080001-5
ORCON/NOFORN

INSCOM

GRILL FLAME

PROJECT

SESSION REPORT

CLASSIFIED BY: Director, DIA
REVIEW ON: 31 Jul 99
EXTENDED BY: Director, DIA
REASON: 2-301-C (3) (6)

GRILL FLAME

~~SECRET~~

Approved For Release 2000/08/07 : CIA-RDP96-00788R000900080001-5

~~SECRET~~

SUMMARY ANALYSIS

REMOTE VIEWING (RV) SESSION LXXXVI

1. (S) This report provides documentation of a remote viewing session conducted for training purposes to enhance a remote viewer's demonstrated ability.
2. (S) The remote viewer's impressions during this session had some interesting correlation with the target. The target in this case was a bowling alley. The outbounder could not enter the target because it was not open for business. As the outbounder was taking a picture of the outside of this target a UPS delivery truck (see Photo, TAB B) drove up to the bowling alley. The delivery man got out of his vehicle with a package and a clipboard. Unable to deliver his package, he jotted down some notes on his clipboard and departed the area. The viewer definitely had an impression of someone writing on a "flat plane," (clipboard?) (See Drawing #7, TAB A). The remote viewer appeared relaxed during this session and did not seem to be bothered by activity and noises in the adjacent hallway. He made no comment as to his confidence in his images.
3. (S) The protocol used for this session is detailed in the document, Standard Remote Viewing Protocol (Local Targets) by Harold E. Puthoff and Russell Targ, November 1978.
4. (S) Following is a transcript of the viewer's impressions during the remote viewing session. At TAB A are drawings made by the viewer reference his impressions of the target site. At TAB B are photographs of the target site.

~~SECRET~~

~~SECRET~~

TRANSCRIPT

REMOTE VIEWING (RV) SESSION LXXXVI

TIME

#28: This will be a remote viewing session (edited for security).

PAUSE

#15.5: Having a devil of a time.

#11: All right #15.5, its now 10 o'clock. #28 is at the target. Go out to his location and describe the target to me.

PAUSE

+02 #15.5: Okay. First perception.. Hmm. . is of a shape which I don't understand but will do a drawing of. They could be the . . the two arms or a chair, but I don't see the back. Its as if I'm looking over the . . looking from the rear toward the front. And I just see these two, parallel, rounded forms. I don't have a sense of what they're made of. Or what color they are. They appear to be 2 to 3 inches in width and plus or minus 2 feet apart.

#11: A few feet?

#15.5: Two feet to two foot six inches. Ummm. Kinds of things that they could be: it is conceivable that it could be the end of an escalater as you have those two parallel forms which are the ends of the escalater coming down. It could be the ends of the staircase. It could be the two arms of a chair. It could be some kind of bench with which I'm not familiär. Again, I don't have a sense of material construction.

PAUSE

Hmmm.

PAUSE

+04 Part of a structure.

PAUSE

~~SECRET~~

~~SECRET~~

Okay, I had an impression that I lost and I don't know whether I even have enough residual left to draw it.

PAUSE

I just put some lines down. I have the feeling that . . . Okay, I'm going to shade one surface in the vertical because I feel that that represented a vertical wall and the other in the horizontal because I felt that that represented the ceiling of something. But the perception was too fast and too indistinct to be more clear about it than (not audible).

PAUSE

That in itself is unusual.

Okay. I like this one better.

+06

Large structure. I have the feeling that I'm outdoors looking at this structure which I would describe as something like a quanset hut in that it has a . . . I can see a curved roof to the thing. Appears darker in color than usual - metallic quanset hut. Okay. I'm purposely drawing it as if it runs off the edge of the paper because I don't see that end. So the shape that I have in my mind corresponds exactly to the drawing on the paper. . . in that I can't see the whole left hand end of the thing. And there appears to be a square shape that sits in the middle of the top. Order of magnitude is its very large, I'd say at least 100 foot long and probably 30 feet high and probably 30, 40. . . 40 feet across the end. What we would call the diameter of the thing. It appears to have this rounded (not audible).

I don't get the sense of . . . Okay, quanset huts usually have a sense of corregation to them. I have the feeling that this is smoother than that and rather dark in color. Dark blue to paynes gray. Possibly olive drab but that sort of dark, flat dark coloration. I think I may have drawn the box at the top too large in scale but I'm not sure. Rather than change it, I'll leave it as it is.

PAUSE

2

~~SECRET~~

~~SECRET~~

+10

I just got a one word perception that flashed into my mind like that and I don't know what it relates to. The word is SWING. I don't think. . All right, I got the word first, the perception of the thought SWING and then immediately related it to a child's swing or a playground kind of a swing, a big pipe swing. There was however this almost fractional difference between the two, the thought of the word SWING and the creation of the image of the swing. I am tempted therefore to say SWING may relate to something else as in a gate would swing open or a swinging door on a building rather than the thought picture that was immediately supplied by my mind, therefore, I'm not going to draw the perception that I. . Well, I suppose that's wrong too. So, the perception supplied by my mind is the usual black triangle. . well, there's a third way that this could go. Or second, or however many I'm up to. And that is that there could have been an object; a real object, which has the dimensional characteristics and shaping of a swing and therefore could have suggested itself to my mind as a swing without being a swing and, therefore, the thought word came in SWING and therefore the thought picture was supplied as a swing. So, therefore, I am obligated to draw it. Whatever sort of sense that makes.

Ha ha ha Have fun reviewer!

PAUSE

Yeah, I . . In drawing Number 4, I perceived of the thing as just exactly what I've drawn which is an open sort of triangle - one end of the swing. I didn't perceive the other end.

PAUSE

+13

Okay. I see the corner of something.

PAUSE

+14

Six is a dark black shape that I don't understand. Boy, its a nice solid object.

This place is bugged.

No. I don't see the bottom edge of it. I'll put that in as a broken line. Its dark in tone.

~~SECRET~~

~~SECRET~~

It has the feeling like it might be something like a plaque or a sign. What it looks. . . shape was to me. . something like is a state or historical society plaque that is stuck alongside of the road that says something like Moseby's Raiders Came Through Here . . And Beat the Heck Out of So and So's Farm. Something like that. Made out of metal. Dark. With the feeling of words. Now. . .

PAUSE

+16 I wonder if #28 is writing something. Mark time.

unsubscribes

#11: 1016

PAUSE

#15.5: It doesn't. . . Humph! I. . I. . get the impression. . Okay, I can't. . I can't draw this because I can't draw something which is in motion. I had the feeling that I saw something like a magic slate, a flat plane. Which could be my perceptual image. . Well, the movie screen that I look at when I see pictures inside my head when I'm doing remote viewing sessions. But I got a point, pointed object as if a pencil as if coming in . . first, from the left side and marking on this surface. And then, again coming in from the right side. Now, I'm not. . I'm purposely not drawing a distinct hand because I didn't exactly see a hand. But I got a sense of this pointed object poking at, making marks on the surface. I've indicated boundaries to the surface. I'm not sure that the surface has boundaries as in this . . as in the size indicated but I'm just trying to indicate that the object was poking at a surface. It might be or . . . or . . . It is as if at first I was looking over #28's right shoulder or someone's right shoulder and then, again, looking over someone's left shoulder. If, at the target area, whoever #28 went, if there was somebody doing some sketching and the . . and #28 went and looked over the shoulder of this individual first from the right and then from the left. Or maybe I went and looked over his shoulder of this from the first, from the right and then from the left. I don't know whether that helps. Its similar. . to the way I hold a pencil but different.

4 ~~SECRET~~

~~SECRET~~

#11: Twenty minutes.

PAUSE

+20 #15.5: Okay the target area that #28 was at, I had the perception of being out of doors not in indoors. I want to go back now and work my way back through the drawings that I've done and see if I can get a sense. . greater sense of. . concept of them. Maybe fill in some more about them.

Number 1 is still two corners that I don't understand much better. Relatively light color. Light gray. Light blue. Not strong enough to be light green. Faded out red possibly but I don't think so. More nondescript color than anything else.

Number 2 I can't do anymore with than I did. I'd be tempted to describe it as a non-real structure rather than a real structure. What do I mean by that? If you have a building that is not a building in the sense that its a playground shelter, that's a non-real structure. If you have a piece of playground equipment, that's a non-real structure. As opposed to being a building or a headquarters building. A building with four walls and a roof and all the rest of the paraphenalia. It had a very great sense of openness to it.

Three is a large structure that is up. I had the feeling that there is . . Now, I'm doing a second drawing on this which I'm using sort of a scruffy line to separate from where I am. I have a feeling that the beacon is at "B" and off in this direction is the large structure which may not be part of the target area. Order of magnitude - almost fifty yards. Very large building.

Four is the pieces of the swing. Or the shape of swing.

Five is the corner of a box. And light in color. That was another real quick thing. Oooops! Order of magnitude is $2\frac{1}{2}$, $2\frac{1}{2}$ and $2\frac{1}{2}$ cubic. . I'm tempted to say planter. Something on that order. Something on that size, shape. Trash bin, planter, something like that.

~~SECRET~~

~~SECRET~~

Six is an odd shape and there was another perception that I feel like I ought to record while I'm doing the recording of this and that is that it struck me as being very similar to the silhouette of a person as seen from behind so I will put down this silhouette shape. I don't know how you'd see a silhouette in the broad sunlight, but that isn't my problem.

PAUSE

One of these days (not audible).

Seven is the hands. I can't deal with this anymore than that.

Perception of the target area - noncommercial, open, I had the feeling there was grass around. Quite a bit of light green grass. Outdoors, not indoors. Park. Park-like place.

Have you got any questions?

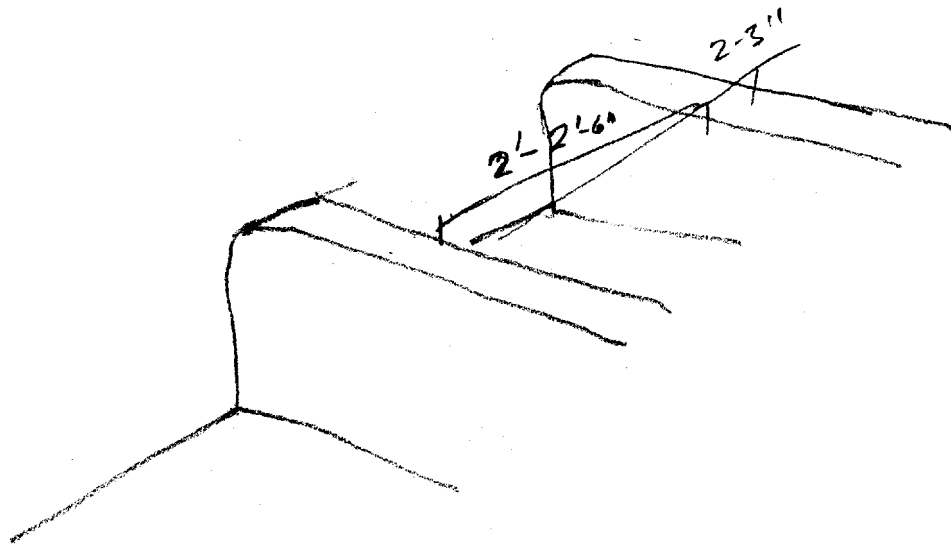
#11: No. You've seemed to cover everything quite well.

#15.5: I think we will terminate at this point.

#11: End of session.

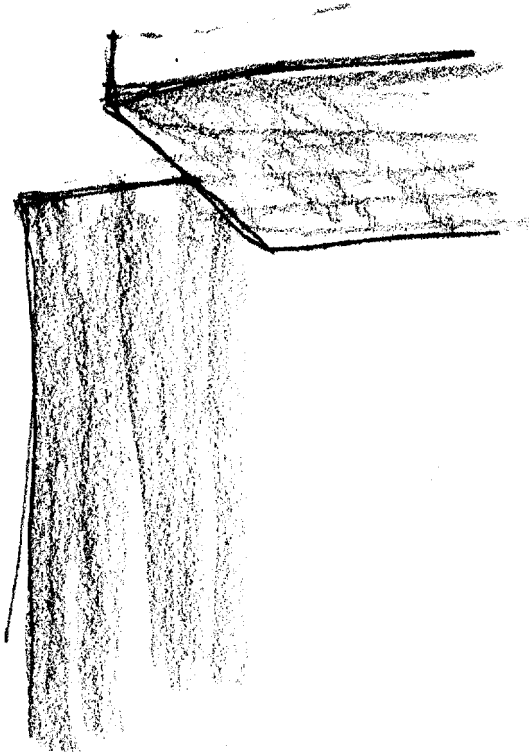
~~SECRET~~

TAB A

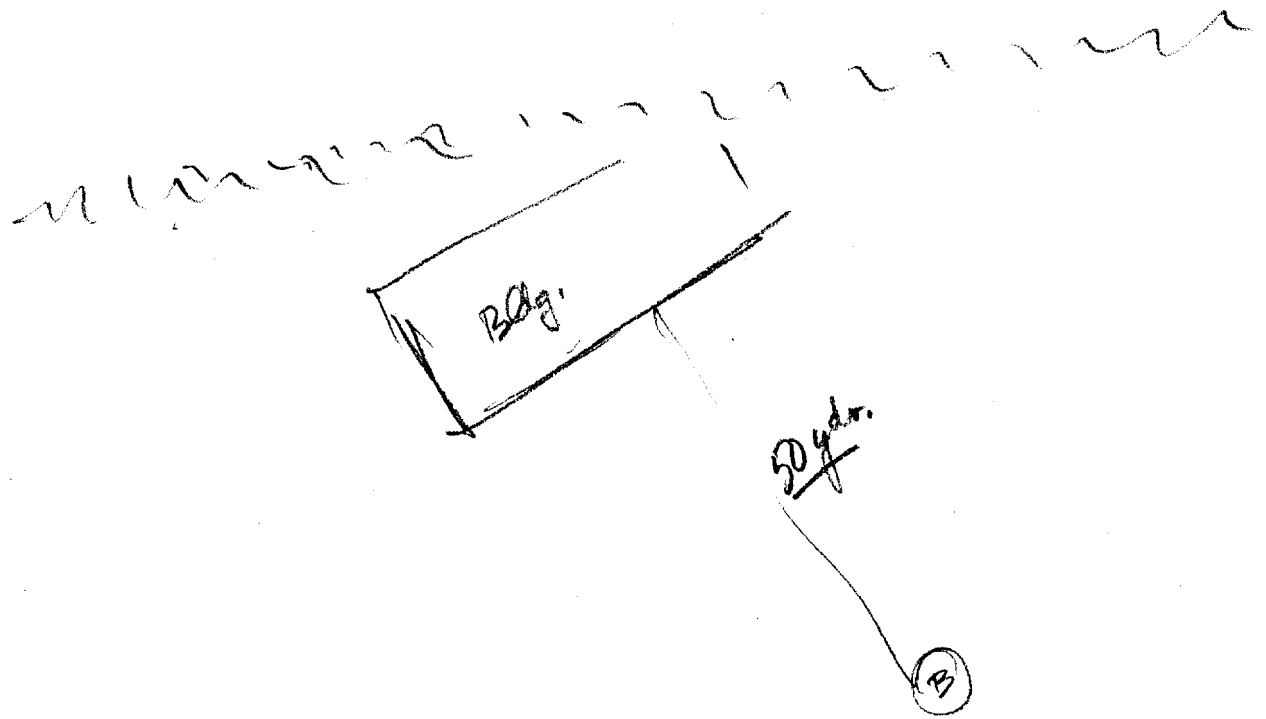
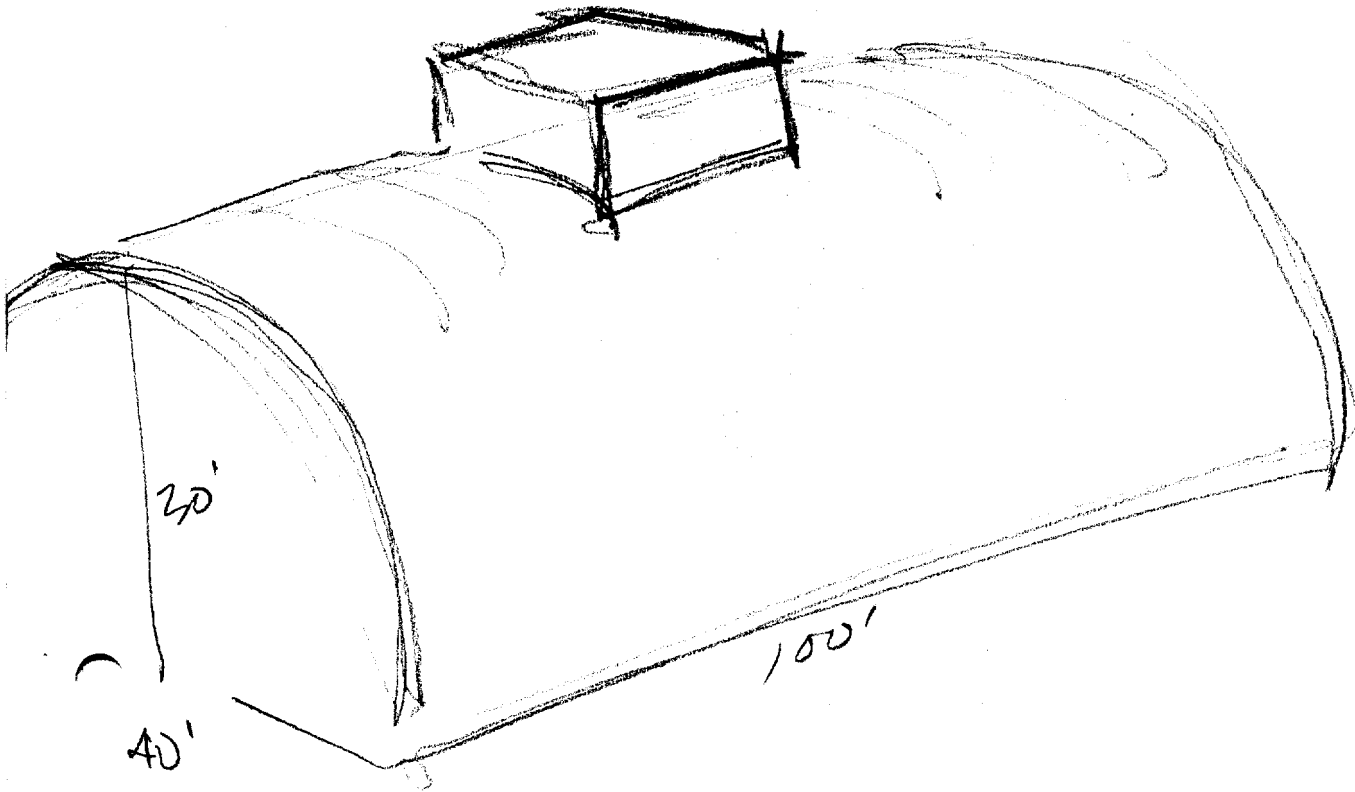


light color

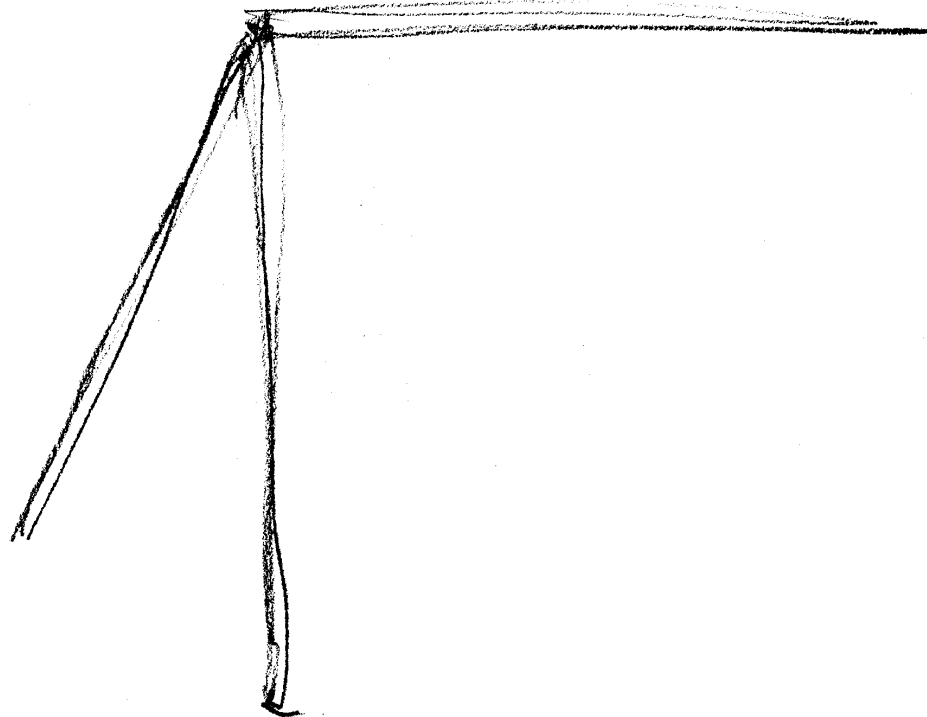
2.



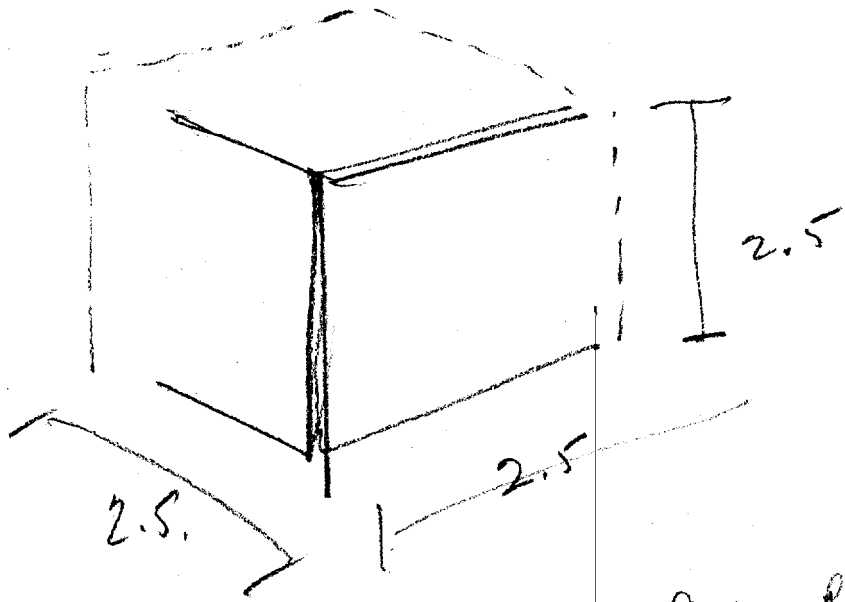
3,



4

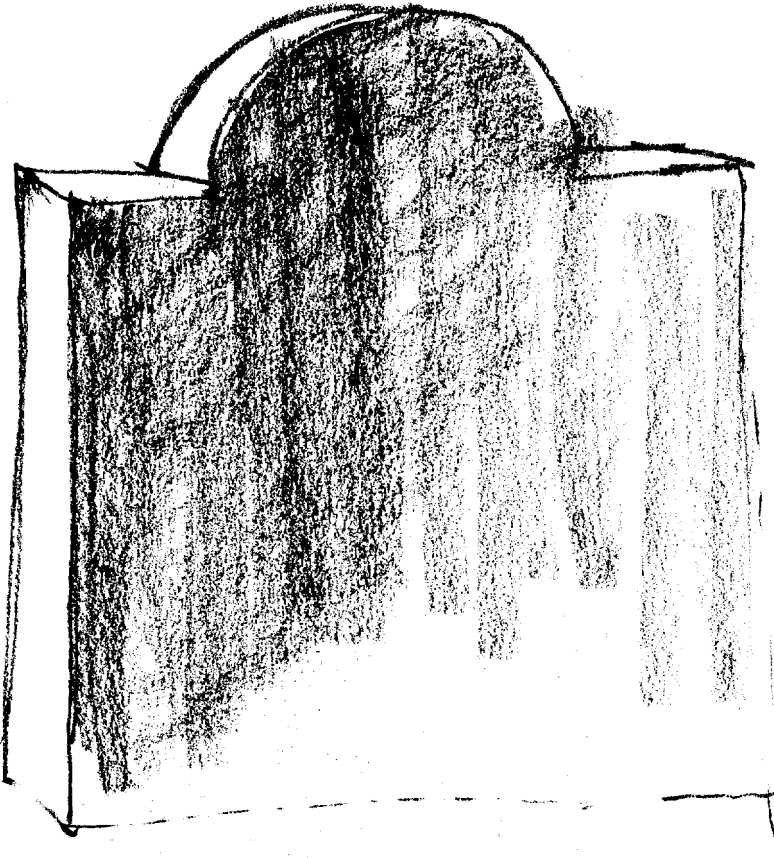


5,
○



light color
planter

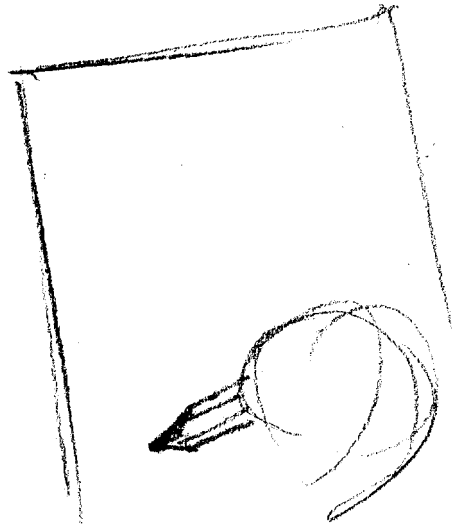
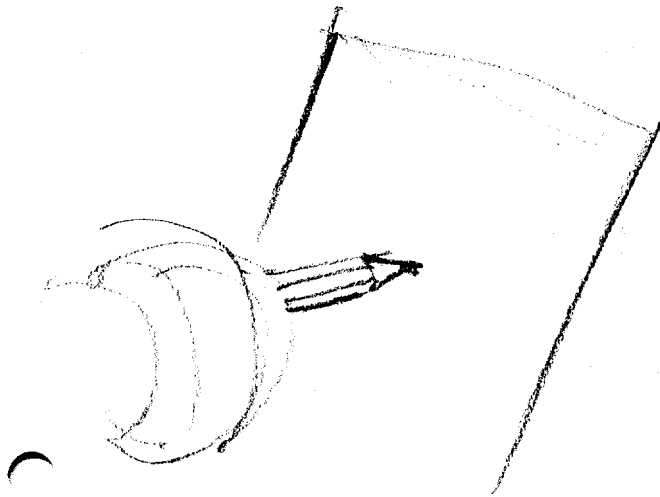
6



metal
dark -
w/ feeling
of Jordan



7.
C



TAB B

