

~~SECRET~~

INSCOM

GRILL FLAME

PROGRAM

SESSION REPORT

CLASSIFIED BY:MSG,DAMI-ISH

DATED: 051630ZJUL78

NOT RELEASABLE TO FOREIGN NATIONALS REVIEW ON: June 2001

~~SECRET~~

GRILL FLAME

Copy 1 of 2 copies

~~SECRET~~

SUMMARY ANALYSIS

REMOTE VIEWING (RV) SESSION DCC-64

1. (S/NOFORN) This report documents a remote viewing session conducted in compliance with a request for information on a target of interest.
2. (S/NOFORN) The remote viewer's impressions of the target are provided as raw intelligence data, and as such, have not been subjected to any intermediate analysis, evaluation or collation. Interpretation and use of the information provided is the responsibility of the requestor.
3. (S/NOFORN) The protocol used for this session is detailed in the document Grill Flame Protocol, AMSAA Applied Remote Viewing Protocol (S), undated.
4. (S/NOFORN) Following is a transcript of the viewer's impressions during the remote viewing session. At TAB A are drawings made by the remote viewer reference his impressions of the target site. At TAB B is target cuing information provided the remote viewer.

NOT RELEASABLE TO FOREIGN NATIONALS

~~SECRET~~

TRANSCRIPT

REMOTE VIEWING (RV) SESSION DCC-64

TIME

#66: This will be a remote viewing session for 1100 hours,
29 May 1981.

This will be a pre-session briefing to the remote viewer. Today's target will be designated to you by naming the target. I will provide you with two words which are the name of the target. Your task will be to describe the target area and activity within the target area to me. As the information develops I will have further questions for you. Today's target will involve present time window, present time window. By present time window I mean within the 24 hour period, plus or minus 12 hours from now. There will be no future or past time windows involved in today's targeting. We're interested in the present description and activity of the target, present being plus or minus 12 hours, the present 24 hour time. Do you have any questions pertaining to your task for this morning.

#01: No.

#66: You now have 25 minutes to prepare yourself for today's session.

SG1A 1100

#01: Angular rooftop. I can't see the other edge. It's like a shed type roof..very long. Tryin' to orient myself... Like garages.

#66: Okay. Now before you continue..tell me about the color of these shapes you see.

#01: Okay.... Gray and white.

#66: All right.. Now..tell me your relative position to these gray and white shapes.

#01: Upper left hand edge.

#66: Distance?

#01: Six feet.

+05 #66: All right. Now...move back at a 45 degree angle, a mile from these gray and white shapes. And now describe the gray and white shapes to me.....

#01: Uh, "L" shape..and a "U" shape..building or string of buildings... Looks like, uh, horse stalls or riding track or something.

+06 #66: Okay. Focus only on the shape perceived on the tops, the shape perceived on the tops. Think of the gray and white, think the gray and white... Focus only on the shapes of the tops. Think of the gray and white and move directly over them. And now describe them to me. Only of the gray and white.....

#01: Saw a row of popsicle sticks..in shape.

#66: All right.

#01: And that's like decorated the edge of these individual squares. There's two black U's halfway down from the squares. I see what looks like a..I don't know, some kind of a ladder, ladder design next to the tips of the popsicle sticks.

#66: Continue now to tell me more about [REDACTED] Tell me SG1A about [REDACTED]

SG1A

#01: Some kinda wine glass impression, the outline of a wine glass on top of the squares. Looks like a big, big area of squares. It's a flat area..roughly rectangular in shape.

#66: Tell me about the popsicle shapes.

#01: It's a decorative edge of the squares, both sides...

#66: Describe the size of the popsicle sticks.

#01: Large, 20, 25 feet..22 feet maybe. Fairly wide, approximately, uh, 18 inches to two feet wide. Laying parallel to one another in groups of two. Overlay of this wine glass outline. Can't tell if the ladder impression is inside or outside of the.. parallel sticks, or whatever they are.

#66: All right. You have parallel sticks and a ladder impression?

#01: Yeah, but I can't- it's like a dual ladder, short ladder type designs. They're either between the parallel popsicle sticks or outside.

SG1A

SG1A

#66: Yes, I understand very well. I know about [REDACTED] Stand now on [REDACTED] and describe your surroundings to me.....

#01: Kinda standing in the middle of a..standin' in the middle of a lot of metal. See a lot of rivets. Uh, uh, retract that. They're not rivets, they're indentations in metal. Thick, uh, thick reddish metal.

#66: Tell me about the area surrounding.

#01: It's all open, all metal. Got some buildings, but they're far away. This is like, uh, some kinda, they're not temporary sheds but they're permanent sheds..slat roofs, uh, support poles. Sorta like of an outdoor..kind of an outdoor, uh, assembly type area, I guess.

SG1A

#66: This area of [REDACTED] with the popsicle shapes and the ladder-

#01: Correct.

#66: -describe the activity there to me.

#01: Just a minute..... Uh, appears to be some form of construction, three separate groups of people doing different jobs.

#66: All right.

#01: Moving as a group.

#66: Remember now not to analyze what you see and just to report your imagery. Describe the people to me, describe these groups.

+14 #01: Uh..group like with..group involved in some form of, uh, manual type labor..either, uh, just a second.

#66: You don't have to tell me what it is, just describe what's going on.

#01: Okay, I got movement, moving something, rearranging something using pole like objects to do this.

#66: And tell me about the people themselves.

#01: Just common laborer type people.

#66: And their dress?

#01: Pants, uh, mostly no shirts...more a state of undress than dress... I don't, uh...

#66: You said there were several things going on there. One group now seems to be working with pole objects?

+16 #01: That's correct. They're involved in movement. There's another group that's, uh, seems to me collectively participating in something. Like, uh, look like ants, all around singular object. All over object, on top of it, beside it. They're not so involved as first group. But they're apparently more centrally..centrally involved...

#01: Third, third group...don't appear to be involved with the target, or in the area but not involved with the target.. Appear to, appear to be disinterested. Uh, I think they're different functional groups, 'cause all the people appear to be similar.

#66: Describe how they are similar.

#01: Like all gray beads in a box, and all white beads in a box. I don't know, there's a similarity. Like they're all interchangeable. No differences.

#66: Describe the one in charge.

+18 #01: No different from the rest.. Don't get any identifiable difference, other than he's givin' orders....

#66: The area of popsicles and ladder- describe the present condition of this.

#01: Okay... Get a...get a junk yard feeling. Part I feel like a junk yard, uncut grass, rusted metal, uh, frozen in parts. The other part I get a polished or reconditioned feel, like it's painted and cut and trimmed, something new about it. Semi-upgrade. And, uh..that's all I get.

#66: Um, I understand you to say that, uh, part of it is in some sort of disrepair.

#01: That's correct.

#66: You said something about frozen metal?

#01: That's correct.

#66: What is the experience that you perceive, that you have, that makes you say this?

#01: Uh, like a very large object like twist on cap. All the rest is frozen in place. Had, uh, this large object that looks like a twist on cap, would not apparently move very well. I don't know if I can explain it.

SG1A

#66: Okay. As you now perceive this [REDACTED] describe it to me...

#01: I just keep getting this impression of a large..large bunch of garages and shed roofs. I don't..some form of ongoing construction. A...new fence apparently, see some new fence. It's like a reclamation of an old plant or facility...

#66: And thinking now, knowing that you're going to have to draw this in a few minutes.....tell me the gestalt of the pattern that you will draw...

+24 #01: Uh, I'm not sure I understand that question, but the response I keep getting is I keep trying to establish function, reason existence of shed. Uh, I keep getting a recurring image in my head that is, uh, answers, uh, shed problem in that it is an image of an old barn I saw once filled with dilapidated rusted tractor or farming implement type collection, uh, spoke wheel, blades, engine, etc. And the scenario I see occurring at the target is now part of the barns or the garage, shed, whatever, uh, don't represent dilapidated past of history. But now represent modern, uh, upgrade.. But I can't find what.. other than new paint, polished metal..I can't define that.

#66: All right. We believe that the target of interest is apparent in your description of popsicle sticks with a ladder shape between popsicle sticks. Tell me about this.

+26 #01: Okay, I get a....get a balanced fulcrum representing center of a square edged by two outlines that appear to be the shape of popsicle sticks. Uh, I keep getting an impression of short section of ladder type design..roughly two-thirds the size of the popsicle stick outline, about centered, even with the fulcrum. I can't tell if they're inside or outside of the popsicle outline.

#66: How many sets of popsicle sticks?

#01: Many, but they come in two's. I see what appears to be..off-center wheels, or better description would be disk shapes, oriented oblique to the design I'm describing. And towards the bottom I have two metal legs or arms coming out with cross pieces and disk connected at top. And some sort of dark square associated to those arms.

SG1A #66: Okay. Uh, we have every reason to believe that the popsicle ladder shape is [REDACTED] however, it's apparent from your description that...your level of focus on the target is insufficient to enable you to perceive its utility. I'd like you now to spend a few minutes alone without reporting, focusing solely and completely on [REDACTED] which you have described.

+29 SG1A

PAUSE

#01: I get a...apparently a side view. It, uh, appears to be a.. some kind of a tow-around, flatbed type, uh, uh, I don't, I can't establish whether it's a watch facility type arrangement or an erector set or crane type arrangement. But it's a..it's got like a scissor section under these parallel popsicle stick outlines sitting on what is designed to look like a large semi-trailer flatbed type affair. I got, uh, some kinda support legs in the front and very large wheels in the rear..circular disk type shapes..rear.

#66: Okay.

#01: That's all...

#66: Okay. Now this perception you've labeled several things. Um, what I want to do now is to obtain a alternate perspective of this. So..there appears to be a flat area, um, in which you assumed was a, like a flatbed truck supported by these erector set type things. Stand on the flat area, stand on the flat area, and look down, away from you, standing on the flat area, and describe the scene to me...

#01: All I see is metal. I don't, uh, I'm not even sure I'm where I'm supposed to be now...

#66: Put your back to that scene and describe what's in front of you...

#01: Looks like the top of a cylinder of some kind. It's just got a rounded contour that's made of metal.

#66: Okay. I have no further questions then. Take a look now, one more time, at the scene. Back away from it, take a look at the scene and the popsicle sticks and the ladders..of the terrain, and of the pattern that your images fit, how all these separate images and ideas fit together. And now let's prepare to draw those impressions that you have had.

+35

#01: Okay, on page one I have attempted to show you what the outline of the popsicle sticks and ladders look like. "A" is, represents the initial pattern that I got of the popsicle outlines with ladders. But I was never really sure whether the ladder went inside or outside the popsicle sticks. Uh, "B" and "C" represent variations of the popsicle sticks and ladders that I got. And I don't know why the variations occurred but.. "C" is a side view when I was attempting to develop what the popsicle sticks and ladders represent. Uh, guess that's it. The important thing is these are all shapes, you know. It may look like a truck, but that doesn't necessarily mean what it is. That's an outline type shape.

Uh, page two is the "L" and "U" shape on the ground that I saw, which I interpreted to be shed like structures. And when I was centered over these they obtained the appearance of squares, the squares being formed by the outline of the, outline of the popsicle sticks..and ladders. I gave the approximate area. Each of the squares was about 20 by 20. And this was just a large, cleared area, apparently newly cleared, 'cause it all had new fencing and everything. Aside from that I, you know, what I said about the old barn holds true. Uh, I don't put much confidence in this stuff..'cause I'm not entirely sure I was in a right frame of mind when I came in 'cause I just finished drafting a letter and everything for the boss and that sorta stuff.

#66: Okay.

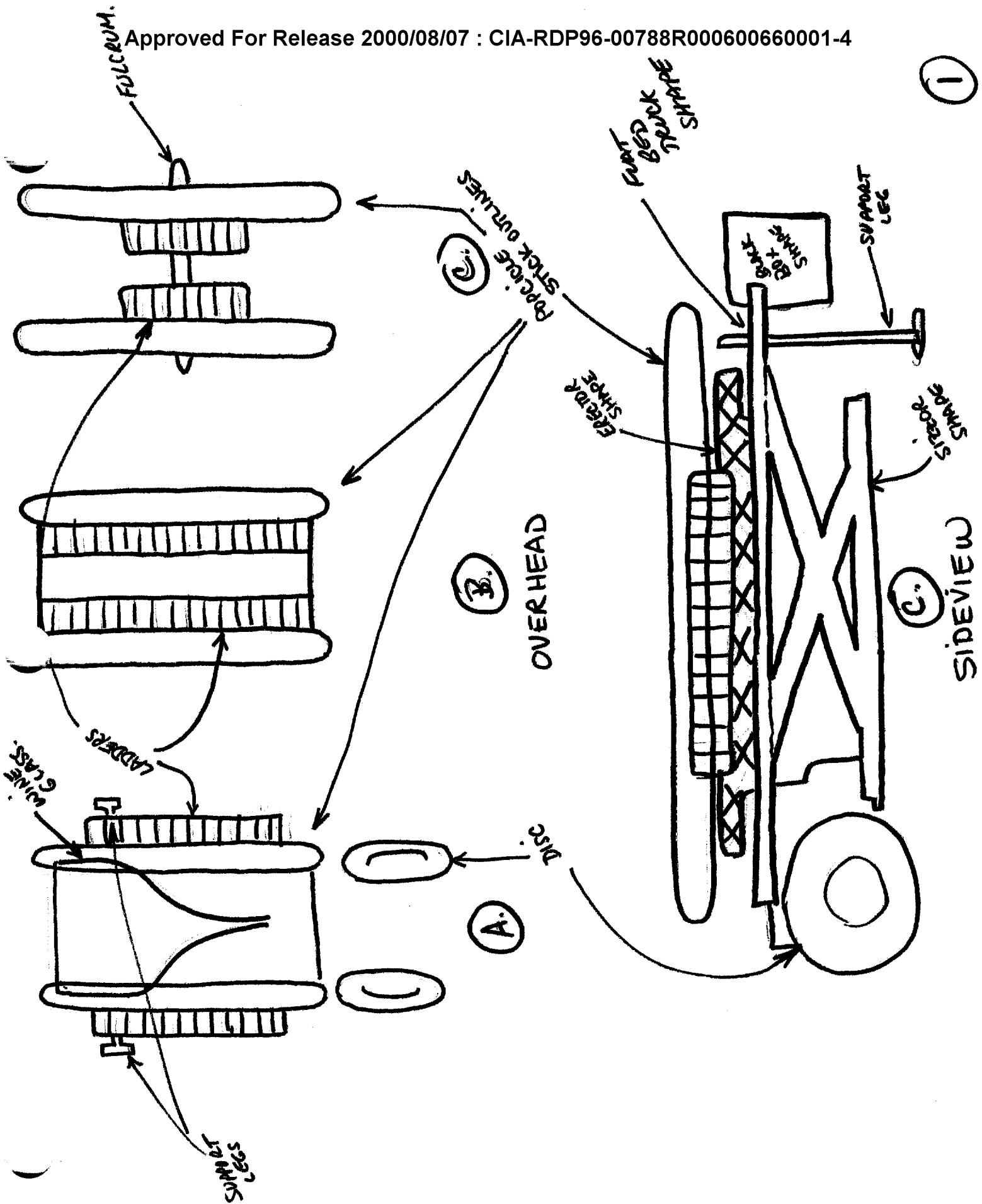
#01: So...

#66: Anything else you wanna add?

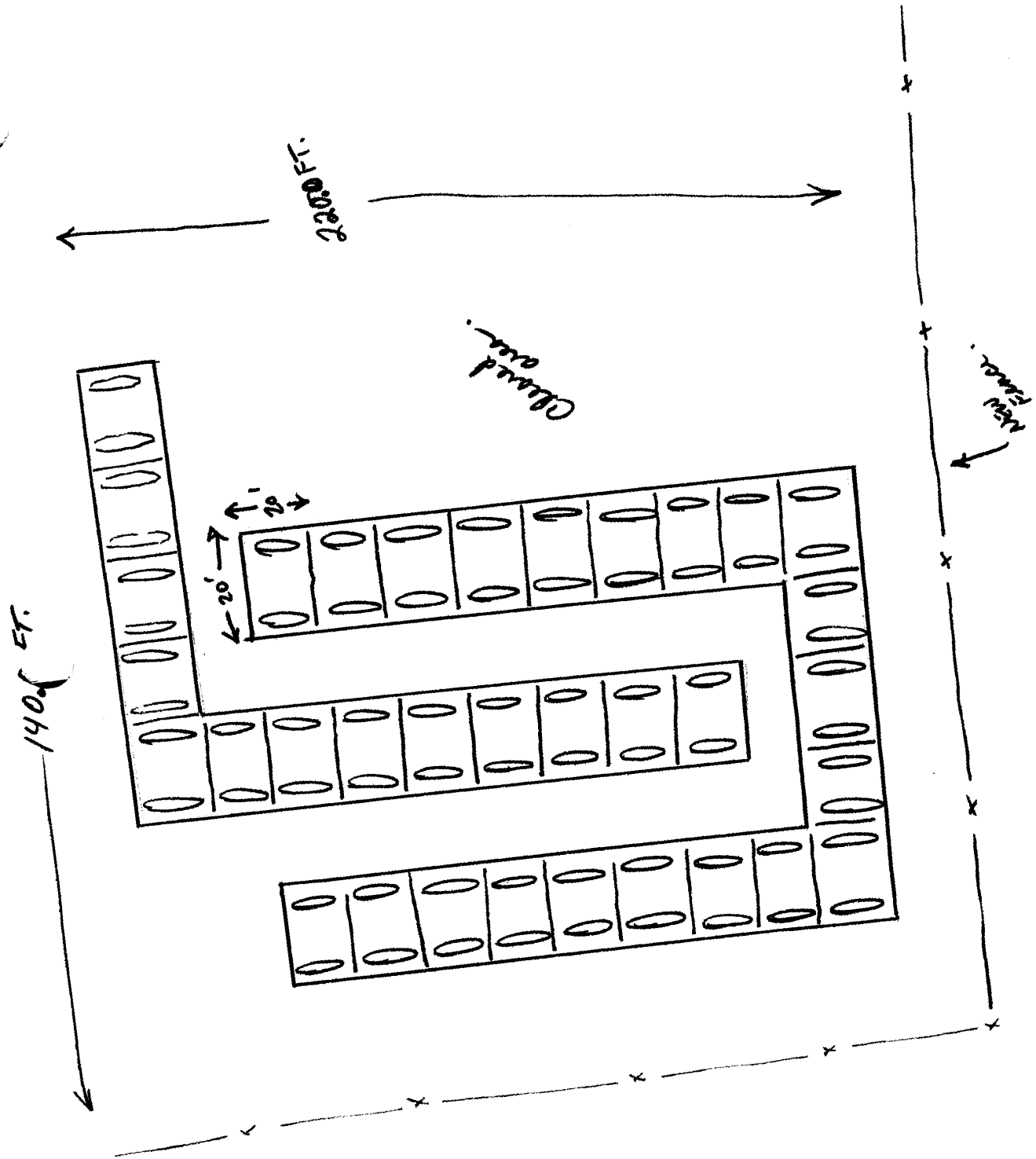
#01: No, that's it.

#66: Okay, fine.

TAB



2



TAB

~~SECRET~~

TARGET CUING INFORMATION

REMOTE VIEWING (RV) SESSION DCC-64

1. (S/NOFORN) Information provided the remote viewer prior to the session is documented as a pre-session briefing and included in the transcript.
2. (S/NOFORN) During the session the interviewer was directed by the control analyst to focus on areas of the viewer's perceptions which seemed relevant to the target.

NOT RELEASABLE TO FOREIGN NATIONALS

~~SECRET~~