

SUMMARY ANALYSIS

REMOTE VIEWING (RV) SESSION DCC-19

1. (S/NOFORN) This report documents a remote viewing session conducted SG1B  
SG1B in compliance with a request for information concerning [REDACTED]  
[REDACTED]
2. (S/NOFORN) The remote viewer's impressions of the target are provided as raw intelligence data, and as such, have not been subjected to any intermediate analysis, evaluation or collation. Interpretation and use of the information provided is the responsibility of the requestor.
3. (S/NOFORN) The protocol used for this session is detailed in the document Grill Flame Protocol, AMSAA Applied Remote Viewing Protocol (S), undated.
4. (S/NOFORN) Following is a transcript of the viewer's impressions during the remote viewing session. At TAB A are drawings made by the remote viewer reference his impressions of the target site. At TAB B is target cuing information provided the remote viewer.

NOT RELEASABLE TO FOREIGN NATIONALS

ORCON

~~SECRET~~

TRANSCRIPT

REMOTE VIEWING (RV) SESSION DCC-19

TIME

#66: This will be a remote viewing session for 1100 hours, 2 April 1981.

This will be a pre-session briefing to the remote viewer. SG1B  
Today we will be focusing on [REDACTED] SG1B  
[REDACTED], whom you have focused on before. SG1B  
He's a very high official in the [REDACTED], a chief of one of SG1B  
their [REDACTED]. He's about 53 years old, 6 feet SG1B  
tall, about 175 pounds. His most distinguishing physical  
characteristic is that he is very stoop shouldered. He  
has light hair, smoothly combed back, receding hairline.  
He has a beak like nose and is known to wear reading SG1B  
glasses. Today we are going to ask you to focus on [REDACTED] SG1B  
[REDACTED] and continue to describe his job activities. It  
is not necessary to describe physical characteristics of  
the area in which you locate him, only to describe his job.  
You have successfully broached this subject previously and  
wish you to continue along the same lines. Do you have any  
questions concerning todays task?

#31: Uh, no. You have any photograph or anything like that, or-

#66: We do not have a photograph of the General as yet. We are attempting to get one. Any other questions?

#31: No.

#66: You now have 22 minutes to prepare yourself for todays session.

1100 SG1B Relax and concentrate now, and focus your attention on SG1B  
[REDACTED], who you know well by this time.  
Focus solely and completely on [REDACTED] SG1B  
and describe his job to me.

PAUSE

+06 #31: I'm getting a feeling of.....drawing of squiggly lines on  
a..blackboard in a...opening of a wall cabinet that they  
had electronic equipment in.... I'm shuffling around.....

PAUSE

+08 #31: Electronics formulas.... Funny little things like...symbols  
for grounds and circuits and things. That's my feeling.

#66: Focus on the General himself and ask him to explain his work to you.

PAUSE

+12 #31: I'm involved in technical.... I keep seeing...research and development on the....electro, uh, radiation, electro radiation, electro...no, it's electro magnets something....for offensive, uh, uses... He keeps showing me this thing which... this thing I keep seeing part of it is a...automobile parking block. Looks like that. And it's down..somehow attached to that I have things that stick up in the air. They're the same color...

+15 #66: You said something about the character or use of this?

PAUSE

+18 #31: I feel...a very important Yashi.... They're large things, they are.....they're things that work in..together, they are a system all together. But they're individual things that I keep seeing being dropped or placed in an arch or a pattern of a..they're like off-set "T"s upside down. They're...can't tell if they're disguised or they're actually made of concrete, but the exterior appearance of them is like concrete porous, pore, like concrete..pores, like concrete.... Let me, uh, interrogate some more.

#66: I will wait.

+19 #31: It's very difficult. I have to masquerade..as his son..... The term milimeter wave bombardment.

PAUSE

+22 #31: I see these things, they're lined up in a pattern.. And they, uh, hundred kilowatts, has something to do with the power. These things stand about head high, they're in a pattern like a tuning fork.... A long "V" and it's directed along the way they're laid out. And there's some sort of pulsing, power pulsing back and forth up in fluctuation, up and down the "V". Just like driving, pumping a signal or a, pumping something out the bottom of the "V", which is power wise and tangible, something you can't see...syncopatic..fluctuation...

#66: What is the purpose of this?.....

+25 #31: Like a linear power coil..linear amplifier something. It goes in a line, like it shoots a burst of this out and, uh... tangent to the earth's surface. Then goes straight, does not bounce... No, it bounces... Has some sort of a bounce... I think it's communications of some kind...

#66: What is it that makes you say that conclusive statement?

#31: Because it's...bounces around the earth, around and around.

#66: Okay. I have no further questions concerning the target for this morning, but I'd like you now to explore on your own without the benefit of my questions and comment as you see fit.....

#31: Believe he is not only a high person, but he's a principal engineer on a project like this. He is an engineer, he is a designer, as well as a supervisor. The, uh..I get the feeling that this is not in, this is not a weapon of mass destruction, but it is in support of weapons of mass destruction. I can't tell if it is a...imagination or not, but I getting feeling of communications with..satellites. Directional thing that shoots up in the air on a very, very low oblique to the hori- to the tangent to the earth...tangent to the earth's surface. That's all I have.

+29

#66: Okay. Let's prepare to draw now the perceptions that you have had.

#31: It's hard trying to describe something you don't understand anyway. I don't know if I have any idea what a millimeter wave is or-

#66: Okay.

#31: Okay, uh... Well, sketch one is, uh, first of all, in this session I had the feeling that he had, in his office he had some sort of a fold-out, you know, old, uh, closet doors that accordian out, and that inside there like he had all sorts of electronic equipment. At first I thought that there were codes and ciphers type stuff is what I was finding. But then I saw a blackboard and I saw him having written- I just caught the idea and the jist of fragments of mathematical, very complex mathematical formula, and I got electronics feeling, like ground wire, little symbols and things for electronics terminals and ground wires and that type of thing. Then the next thing I saw and I thought that the first time I saw it is what's on sketch one- the solid part of sketch one is the first thing I saw. And it was a long, it was like in his office, like the prototype was stuck in his office, and it was layin' in the corner. And the more- as I looked at this thing this is what I was tryin' to describe is what is actually..what I called an automobile..curb bumper. It's made out of porous cement type feeling, weather proof and all that kind of stuff. And it's essentially just like that, it's that type of gestalt. But as I looked at this thing it ended up having one- a similar constructed thing protruding out of the top of it at some funny "Y" angle. You know, so that the whole thing is off-set "T", is what I was tryin' to describe, it's an off-set "T" upside down. And the next thing I found was I was at

#31: sketch two. I was at a site, a place out all by itself looking at rows of these things on each side of me that went down and made a "V" shape. And when I asked what the heck these damn things did, they were electronic and they were like super hot. A lot of kilowatts went into this thing and they were like transmitting linearly, some sort of a linear pulse amplifying thing that would syncopate. By the word syncopate what I mean is they act, my description is when an airplane's coming in to land at a international airport there is a set of pulsing lights down range that the pilot uses at a guidance beacon. And these lights pulse one after another. They point the way to the end of the airfield. Now if you could imagine using this example that each light pulsed and the next one took that pulse and magnified it, and then the next one in line took that pulse and magnified that even, this is the idea of what I'm tryin' to explain here. The signal, which is transmitted, is progressively heightened and magnified as it goes down the "V"..is the feeling I have... And that this invisible thing, force or- invisible thing, which has been magnified, is then, it's linear in nature and it is sent right straight on out into infinity, as though it just goes off tangential to the curve of the earth, and it just ultimately just disappears. Doesn't disappear it just stays right high above the horizon and just goes right off into space, as though it is a communications beam of some kind.

I was confused at first because I thought that this thing would bounce, you know, that's sort of a tangent to the earth's atmosphere and everything. I had the feeling that it bounced and that it was long-range communications for submarines. And that it would b- you know, this would bounce forever around the earth, and therefore could be picked up over the horizon. That was the first feeling I had. But then I had a quick shot of a s- of a, uh..and it was stronger, I had a quick, stronger shot in sketch three of this thing going out into deep space and being used to control sa- or communicate with satellites... I sort of thought of..deep space civilizations and I discarded that as being fantasy, and I ended up with sa- you know, with satellites out there, was what it was.

#66: Okay.

#31: And that's doggone well about all I have. The only other thing I'd like to add is that I agree..no sooner did you start to talk then I was going in on the building. And instead of going in on the building around the corner as I said that his office was in the first place, I came right in the front part of that main part of the building. The big...okay. Felt real good about that. But I felt that as I was coming in that on the right side there is another hidden wing or bump to the building, that's hidden in the targeting photograph that you used me against earlier. Okay?

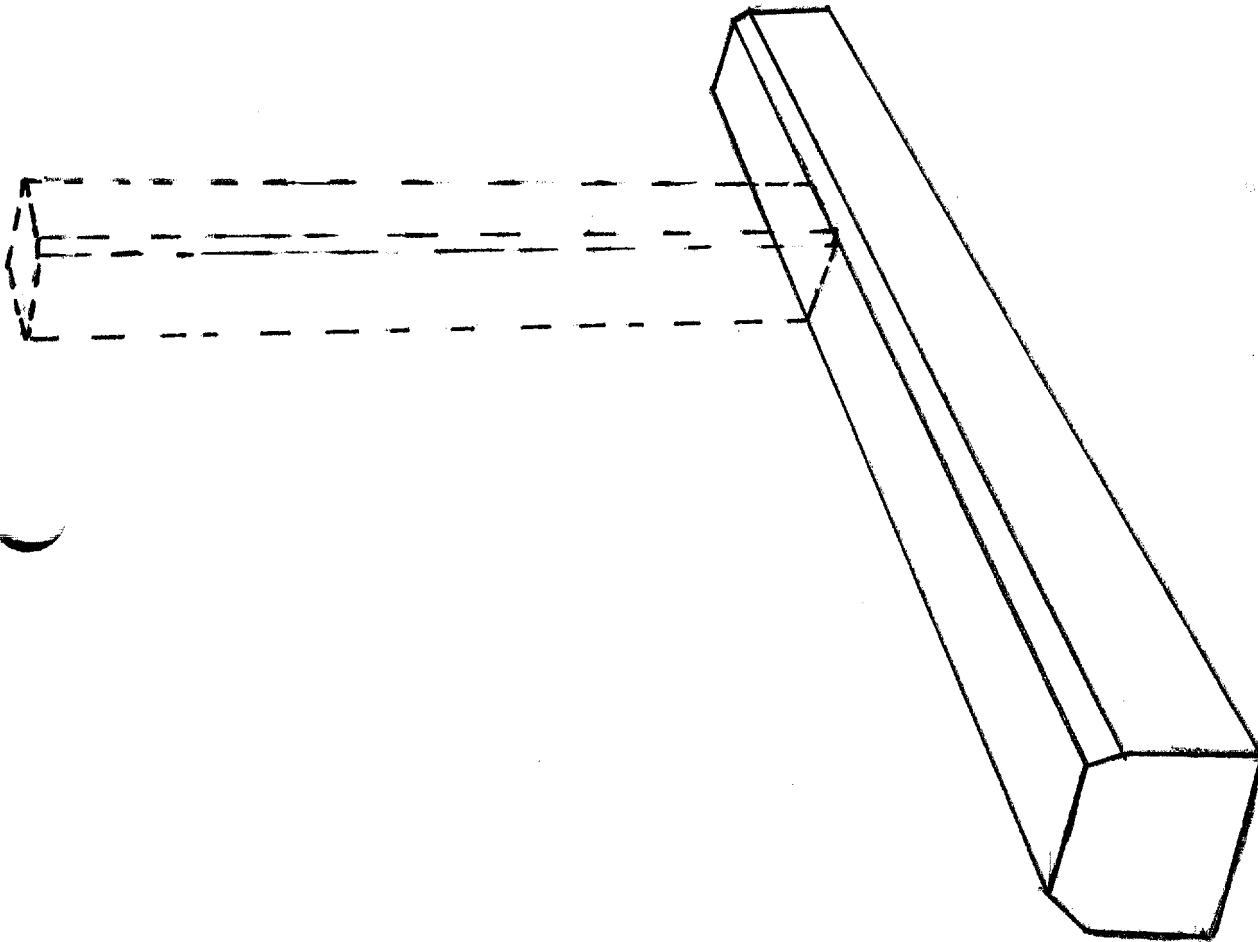
#66: Okay. How do you feel about the clarity and confidence you have in the imagery which you did get?

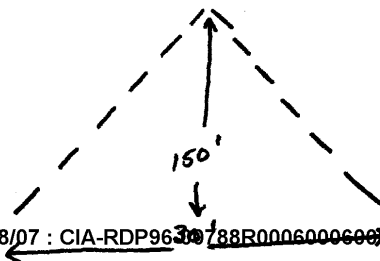
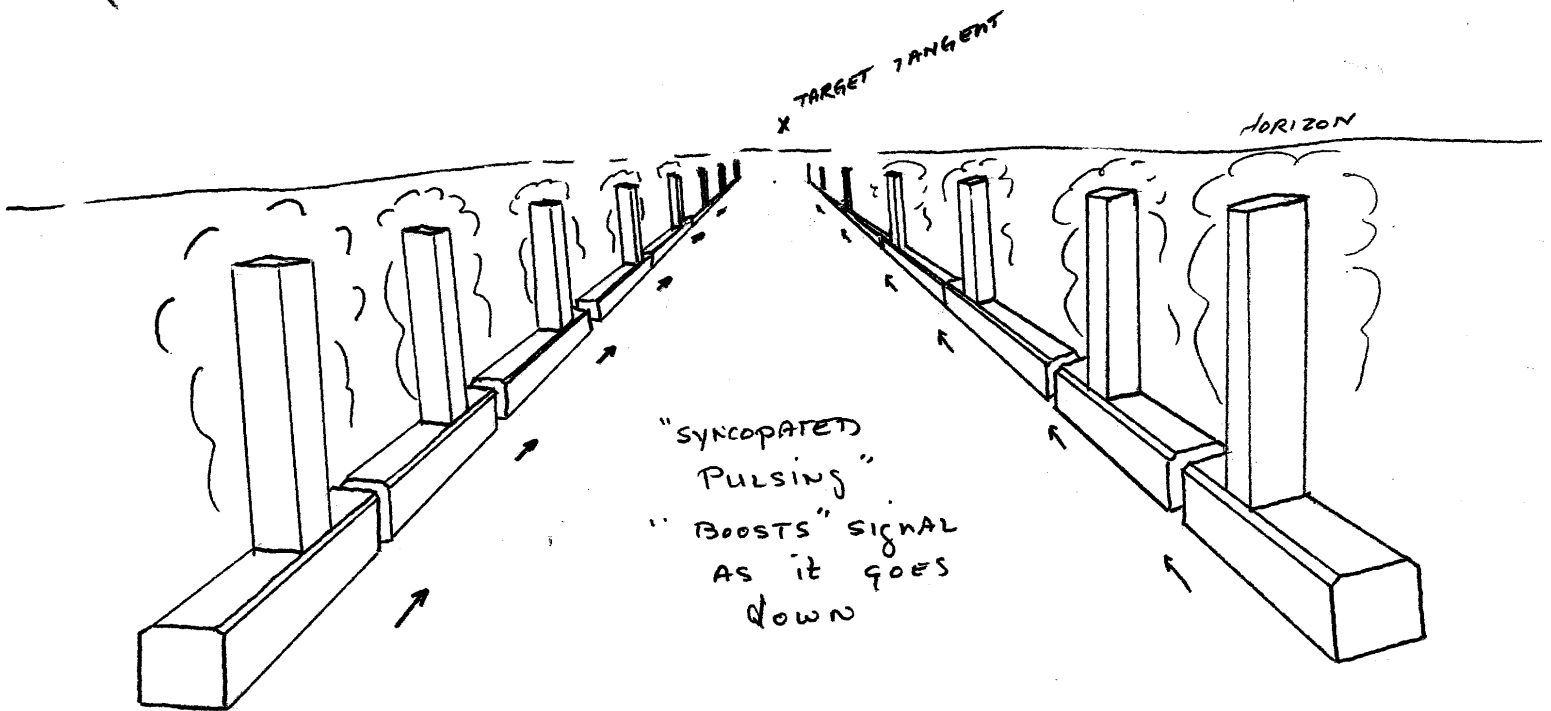
#31: Well the imagery that I had is very, very, very abstract, but it's because I was asking- first of all, the guy knew I was there. He was like saying, boy, this is really a funny experience, here's- I knew this was possible, but this really proves it to me, you know, that somebody's here actually tryin' to dump my head. That type of a really amazing feeling that I was getting from him. And he was sort of- because of that he was not really very cooperative. And I had to- finally I answered the problem by like tryin to, uh, masquerade as his son, feeling that if I masqueraded as his son and he fell for it then maybe he'd talk to me, whereas he wouldn't talk to somebody, obviously from the other side. That worked a little bit. But my problem with it is that he was talking, the words, the ideas, concepts, are totally foreign to me. Because I'm not a mathematician, I'm not an electronics engineer, and I'm not, you know, this type of thing. So I really am at a loss to describe what it was that I was able to pick up.

#66: Okay... Anything else you'd like to add?

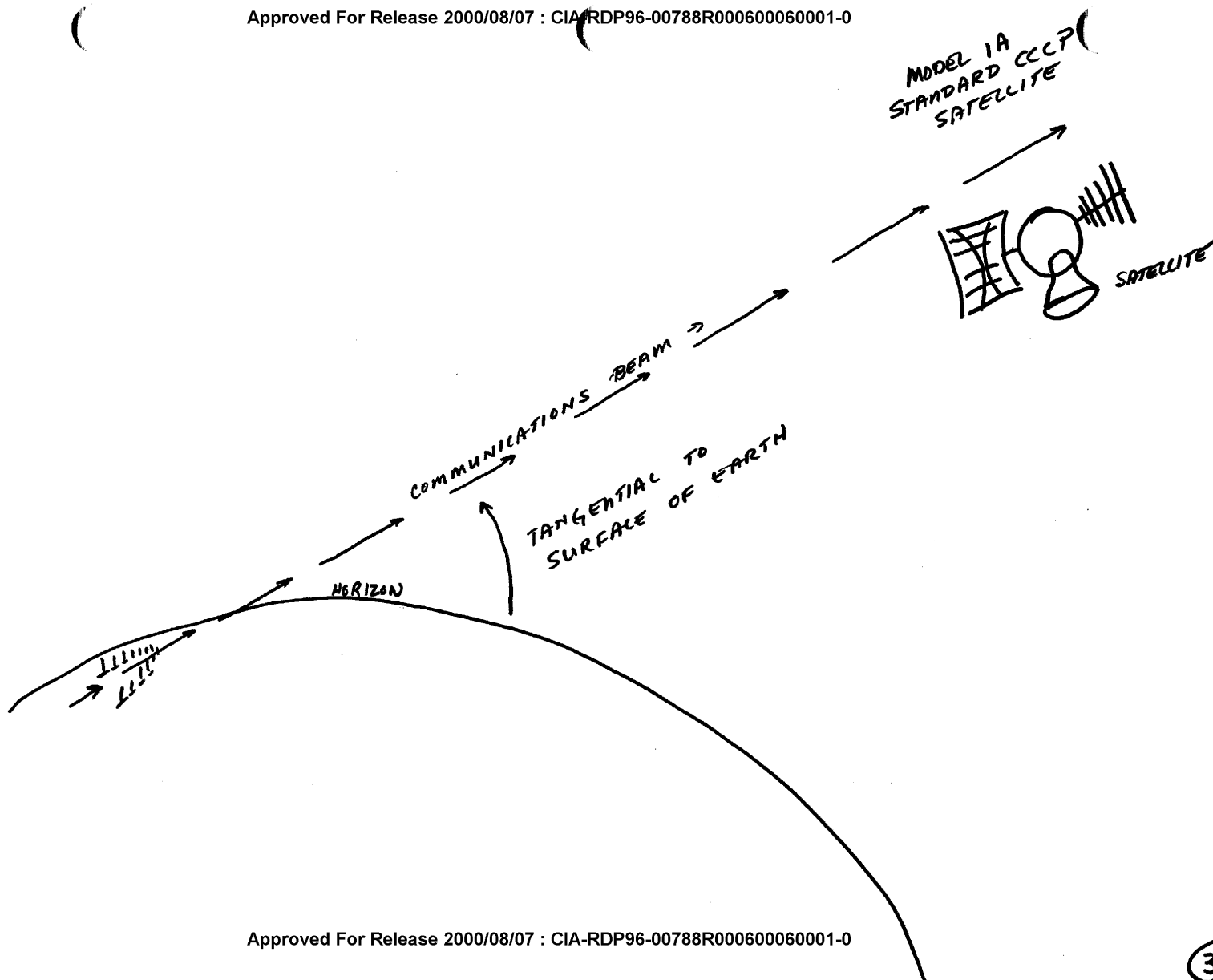
#31: And all, all I was able to pick up were certain words that I was able to identify as being words. It was very, very abstract. That's all I have.

#66: Okay.









TARGET CUING INFORMATION

REMOTE VIEWING (RV) SESSION DCC-19

SG1B

1. (S/NOFORN) Information provided the remote viewer prior to the session is included in the transcript. [REDACTED] description is attached.
2. (S/NOFORN) During the session the remote viewer was given little guidance. He did not appear to pick up on the "defensive" theme he had described earlier (DC88).

NOT RELEASABLE TO FOREIGN NATIONALS

ORCON

2 AUG  
-  
w/ friend [unclear]

TARGET: SG1B

[REDACTED]

NICKNAME: [REDACTED] (to close friends)

Background:

SG1B SG1B

- Very high official in [REDACTED]. He is a Chief  
of one of their [REDACTED] SG1B

- born - CIRCA 1928 ~~to~~ 53
- height - 6 feet weight - 175 lbs
- build - very stoop-shouldered\*
- HAIR: light, smoothly combed back, receding hairline
- NOSE: beak-like
- WEARS READING glasses

8 Hr time difference (9 AM (here) - 5 PM (There))

Instructions SG1B

1. locate [REDACTED]