

SECRET

GRILL FLAME

PROGRAM

SESSION REPORT

CLASSIFIED BY:MSG,DAMI-ISH
DATED:051630ZJUL78
REVIEW ON: 03 Nov 2000

SECRET

Copy 1 of 2 Copies

NOT RELEASABLE TO FOREIGN NATIONALS

ORCON

SECRET

NOT RELEASABLE TO FOREIGN NATIONALS/ORCON

REMOTE VIEWING (RV) SESSION D-99

1. (S/NOFORN) This report documents a remote viewing session conducted in compliance with a request for information on a target of interest to USI.
2. (S/NOFORN) The remote viewer's impressions of the target are provided as raw intelligence data, and, as such, have not been subjected to any intermediate analysis, evaluation or collation. Interpretation and use of the information provided is the responsibility of the requestor.
3. (S/NOFORN) The protocol used for this session is detailed in the document Grill Flame Protocol, AMSAA Applied Remote Viewing Protocol (S), undated.
4. (S/NOFORN) Following is the report for this session. At TAB A is a summary of the information provided by the remote viewer as extracted directly from the comments made by him during the session. At TAB B are the drawings which the remote viewer provided in conjunction with this session. At TAB C is the cuing information pertinent to this session.
5. (S/NOFORN) This session was conducted as a follow-on to Session D-78 done in conjunction with Session D-79; and Session D-76 done in conjunction with Session D-77.

SECRET

SECRET

NOT RELEASABLE TO FOREIGN NATIONALS/ORCON

SUMMARY

REMOTE VIEWING (RV) SESSION D-99

1. (S/NOFORN) The following is a summary of information provided during Session D-99, and pertains to [REDACTED] for period [REDACTED]

SG1A
SG1A
SG1A

a. (S/NOFORN) Source reported that subject arrived at a stone house type building in a small sedan. He entered the building by traversing a multiple terraced and shallow yard, passing through a section of bushes.

b. (S/NOFORN) Source described the interior as a small room, sort of a bedroom/study combination. He stated that it was a courtesy type of billeting arrangement. The room contained a bunkbed and desk, with a small closet off to one side. The room was connected to a narrow hallway, and has some sort of high scaffolding to one side with a stairwell exposed to the rear of the desk.

c. (S/NOFORN) Subject was described as holding a clipboard. The clipboard is described as having a marshmallow type object fastened to the upper left corner of the paper.

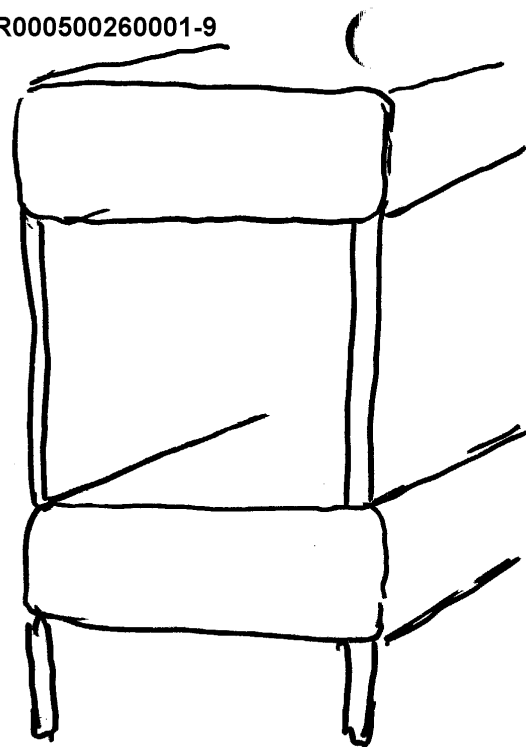
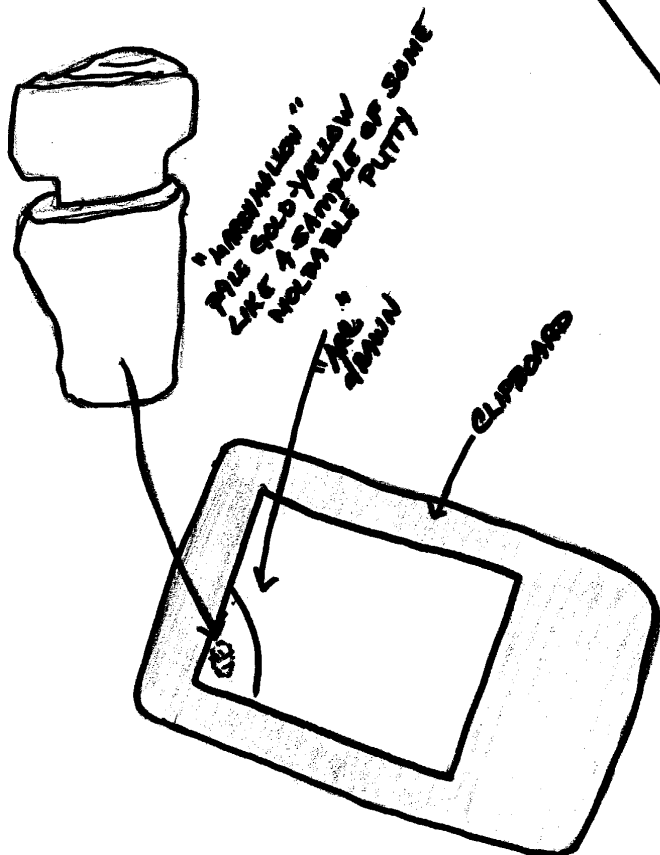
d. (S/NOFORN) Source described the top sheet of paper as having a small arc design in the upper left corner, surrounding the lower side of the marshmallow designed object (see drawing #1). At the top of the page was a backwards umbrella type design laying on its side with a line proceeding left to right and curving down the center of the lower page area (see drawing #2). Source stated there are symbols on the paper in conjunction with writing, which appear to be a part or portion of a diagram. This contained fractions, quantities, and equal signs, like a special formula. All of the above occupied approximately 6-8 lines. The paper also contained vertical lines and appeared to have been some form of a graph paper or ledger sheet layout. Source stated the paper on the clipboard was really unimportant and that there was more importance placed on additional papers removed from envelopes located on the desk.

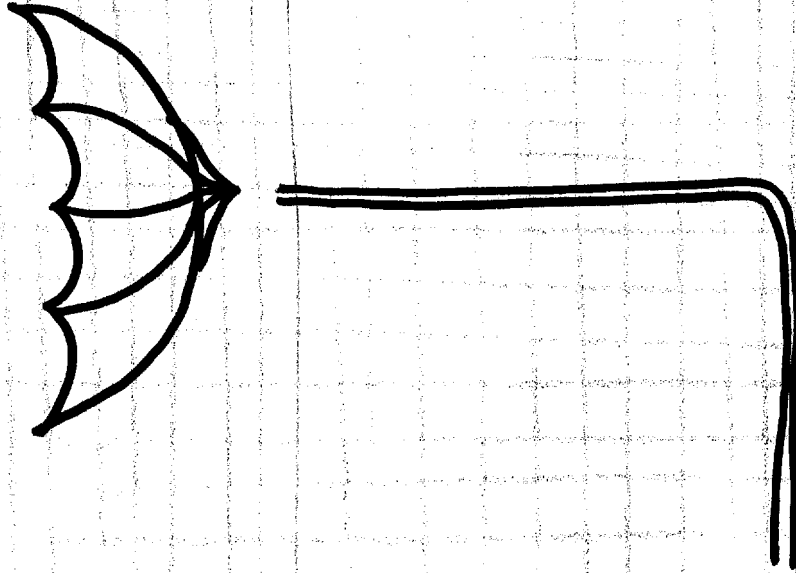
e. (S/NOFORN) Source stated that subject removed a group of papers from some envelopes on his desk. These were read 2 or 3 times very carefully. They were glossy/long, rather blurred, and had an appearance of being an old type of photostatic copy. These papers were described as also being gray or tan in color, and had a graphic layout of a rib shaped object, segmented, tubular in design, which was displayed in steps. Subject appeared to be very elated while reviewing these documents. These papers were studied in detail using a kind of special ocular glasses.

f. (S/NOFORN) Source stated that all papers (both clipboard and envelope) were stored in a hollow tube like stake. This was approximately 8 inches in length, half inch in diameter, and had a point at one end. Documents were stored in this stake by rolling them up from bottom to top.

SECRET

TAB





$$A \times 2 \times 1/4 \text{ km} =$$

$$1 \text{ km} \times \dots =$$

$$2 \text{ km} \times \dots^{3/4} =$$

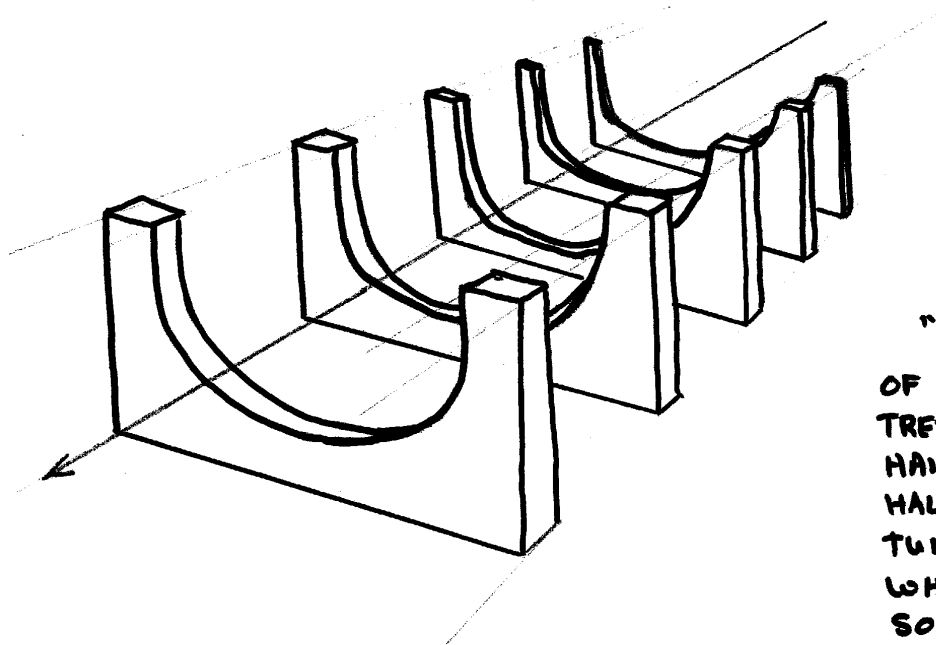
$$\text{So: } \dots = \dots$$

$$\dots \text{ km } \Delta \checkmark$$

TOP
OF
PAGE

DESIGNED
"FORMULA"
WRITTEN ON
LETTER TYPE
GRAPH PAPER

Approved For Release 2000/08/07 : CIA-RDP96-00788R000500260001-9



"BLUEPRINT"
OF RIBS OR BUT-
TRESSES CUT IN
HALF TO MAKE
HALF A CYLINDER/
TUNNEL THRU
WHICH MAYBE
SOMETHING MOVES
ALONG THE ARROW.

Approved For Release 2000/08/07 : CIA-RDP96-00788R000500260001-9

SECRET

NOT RELEASABLE TO FOREIGN NATIONALS/ORCON

TARGET CUING INFORMATION
REMOTE VIEWING (RV) SESSION D-99

SG1A

1. (S/NOFORN) The remote viewer was asked to focus on [REDACTED] using a time window of [REDACTED]. He was asked to describe [REDACTED] activities during this time period.

SG1A
SG1A
SG1A

2. (S/NOFORN) This remote viewer has worked with the [REDACTED] problem in the past. He knows that [REDACTED]

SG1A
SG1A

3. (S/NOFORN) Following are directions given the interviewer by the project analyst during this session.

a. (S/NOFORN) When source stated the subject possessed a clipboard the source facilitator was directed to "pursue the clipboard."

b. (S/NOFORN) When source began to drift from the clipboard during discussion, the facilitator was asked to "redirect the source to describe the clipboard."

c. (S/NOFORN) When source mentioned subject interest in envelopes, facilitator was told to direct the source to "describe what was in the envelopes."

d. (S/NOFORN) Facilitator was directed to ask source what the "subject does with the papers." "Describe the contents of these papers."

e. (S/NOFORN) The source was asked "what subject did with the papers, how does he get rid of them."

SECRET

SG1A

Approved For Release 2000/08/07 : CIA-RDP96-00788R000500260001-9

Approved For Release 2000/08/07 : CIA-RDP96-00788R000500260001-9