

WANG**VS**

Professional Application Creation Environment PACE/Cullinet Connection



HIGHLIGHTS

- Direct access to IBM mainframe data from VS Professional Application Creation Environment (PACE) Query
- Minimal need for familiarity with the IBM or Cullinet® software environment
- Only selected records and fields are returned - no file downloading required
- All output options of PACE Query supported including interface to PACE Report, Wang Word Processing, the VS Graphics Facility, and Wang VS 20/20
- SNA communications support

OVERVIEW

The PACE/Cullinet Connection offers PACE users a link between PACE and corporate data residing on an IBM mainframe, that is defined to

Cullinet and IDMS are registered trademarks of Cullinet Software, Inc.

Cullinet's Information Data Base (IDB). IDB is one component of Cullinet's Information Center Management System (C/ICMS).

To retrieve data from IDB you simply use PACE Query to create and execute queries against the mainframe data. The query process is the same as that used to access PACE tables. All of the Cullinet IDB tables that an individual user is authorized to access are displayed along with PACE tables.

The PACE/Cullinet Connection is a transparent bridge between PACE Query and Cullinet's IDB, that provides access to data stored on the IBM mainframe including IDMS/R®, VSAM, or extracts of DL1, IMS, and TOTAL® data bases. Utilities running under PACE Manager establish the connections among the network software, the IBM system, and Cullinet's IDB, making the interface transparent to the end user. The VS communications software that supports the PACE/Cullinet Connection is 3274 Emulation for SNA communications.

PACE/CULLINET CONNECTION FEATURES

Ease of Use

- Transparent Access - There is no requirement for the end user to be familiar with the IBM or Cullinet software environment. A PACE Query user's IDB knowledge need only include an IDB user identification and pass-

word for the catalog. Tables and fields the end user is authorized to access are automatically displayed.

• Easy to Use Administration Screens - The PACE/Cullinet Connection comes with a set of menus with which to establish the relationships among the network transport information, the IBM system information, and the IDB catalog information. After these relationships are established, the end user can retrieve data transparently from the IBM mainframe. No duplicate dictionary information is required. All information is interactively, but transparently, retrieved from the IBM mainframe.

• Similarity to PACE - All IBM mainframe data is presented in the same format as PACE tables. No additional data base management system knowledge is required.

POWERFUL QUERY CAPABILITIES

• Minimum Data Downloading - PACE Query provides you with the ability to select only those records and fields that you require. Downloading of entire files from the IBM mainframe is, therefore, unnecessary. From a

TOTAL is a registered trademark of Cincom Systems, Inc.

20/20 is a trademark of Access Technology, Inc.

performance standpoint, this minimizes the amount of data to be sent. From a security standpoint, only the data the user needs and has authority to access is sent to the VS.

- *Integration of PACE and IDB Data* – PACE Query users can construct queries that integrate PACE data with IBM mainframe data. This enables you to augment local PACE applications with central corporate information, eliminating storage redundancy and providing up-to-the-minute information.

INTEGRATION OF CORPORATE DATA WITH PACE AND OFFICE FUNCTIONS

- *PACE Report Integration* – Queries can be formatted into professional-looking reports using PACE Report.
- *DMS File Creation* – The output of the query can be saved as DMS data and control files that can then be easily converted into a PACE table or a 20/20™ spreadsheet. In addition, data can be transformed into various formats to be processed by any PC supported by the PC/VS Data Exchange Utility.
- *VS Graphics Facility* – The answer to a query can be graphed using the VS Graphics Facility.
- *WP Integration* – A query result can be automatically transformed into a Wang WP document or a WP merge document.

ACCESSING IBM MAINFRAME DATA

PACE remote data bases can be created pointing to Cullinet IDB catalogs that are accessible to PACE Query. When one of those data bases is selected, the user is prompted for an IDB user ID and catalog password. The system displays a list of all the tables the user is authorized to access, and after the user selects a table, all the fields within that table are displayed. The user can define selection conditions for the query and an answer table for the result.

The final query can be saved and executed at a later time. In addition, the user can exercise the many query output options including formulation of a PACE Report, creation of a WP document or merge document, creation of a graph with the VS Graphics Facility, or creation of a DMS data and control file that can be converted to a PACE table or a 20/20 spreadsheet.

INTEGRATING PACE AND MAINFRAME DATA WITHIN A QUERY

The PACE/Cullinet Connection enables you to include both local and remote data within the same query. While selecting tables from any PACE data base, you can select a PF key option to access a remote data base. When you select this option, the system displays a list of remote data bases to choose from. After you select a remote data base, and

enter IDB user information, the system then displays all the IDB tables that you have authority to access, along with the PACE tables you have selected. You can then query a remote table or a PACE table. Multiple queries can be executed to combine query results.

PACE/CULLINET CONNECTION ADMINISTRATION

PACE Manager provides a set of menus enabling the administrator to establish the connections between the PACE data bases, the VS 3270 Emulation software, the IBM system, and Cullinet's Information Data Base. The menus include:

- *Transport menus* – Defining the parameters necessary for SNA telecommunications software. The parameters are used to access the transports without user interaction, when a PACE Query user selects a remote data base.
- *New PACE Manager menus* – Enabling an administrator to establish the relationship among the IDB Catalog names, the IBM system in which they reside, and IDMS/DC or CICS information.
- *PACE Manager Data Base Creation menu* – Provides an option enabling a data base administrator to create remote data bases through an interactive screen. The administrator simply selects the IDB catalog to be connected to the PACE remote

PACE/Cullinet Connection

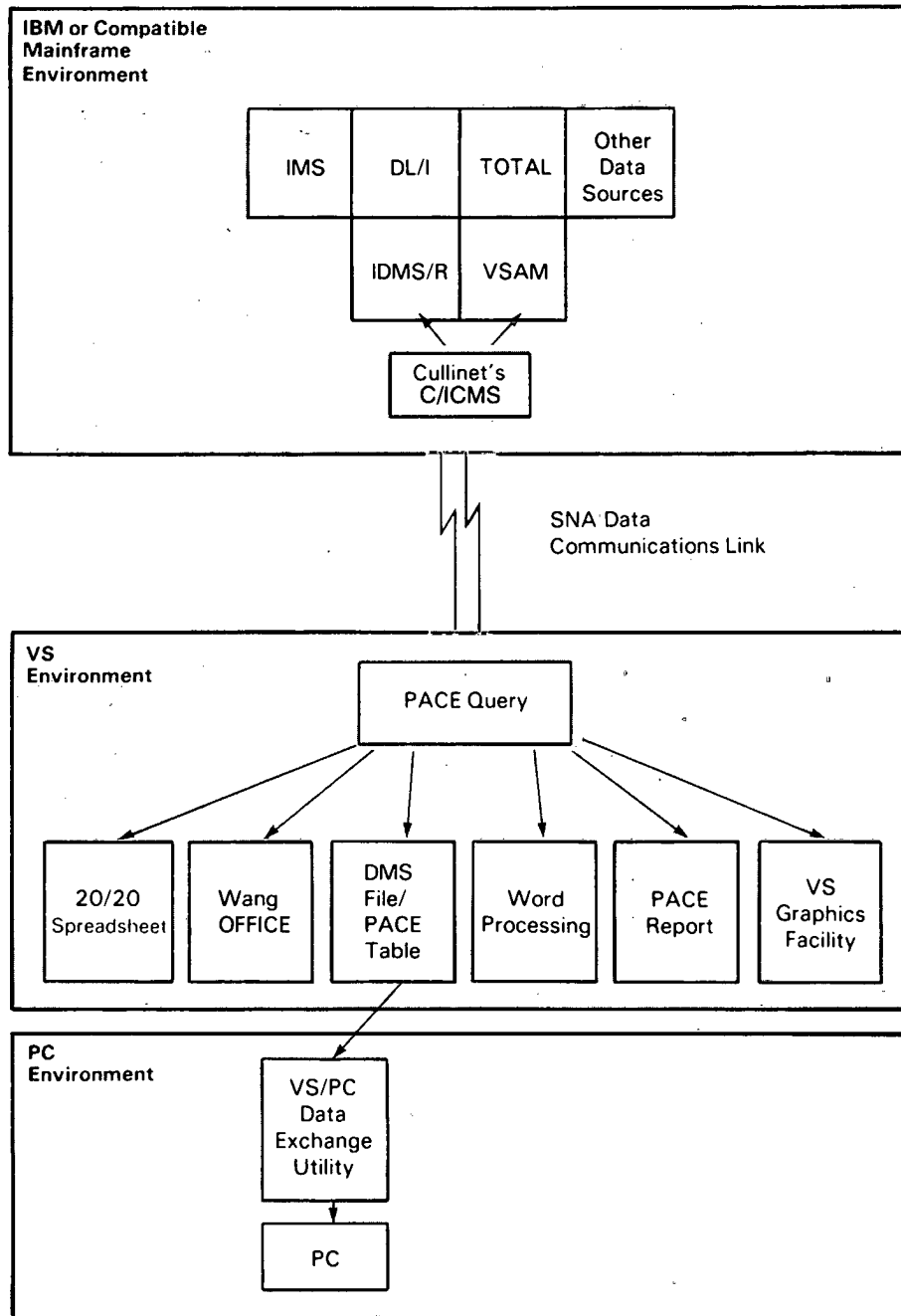


Figure 1.

WANG

ONE INDUSTRIAL AVENUE
 LOWELL, MASSACHUSETTS 01851
 TEL. (617) 459-5000
 TWX 710-343-6769, TELEX 94-7421

data base that is created. PACE Query users of this data base are automatically shown all the tables that they are authorized to access in the catalog based on their IDB user ID.

The diagram, shown in Figure 1, illustrates a logical view of the PACE/Cullinet Connection.

SUMMARY

The PACE/Cullinet Connection enables PACE Query users to access PACE tables and IBM mainframe data stored under

Cullinet's Information Data Base. The functions of PACE Query that are supported include:

- Relational retrieval capabilities including project, select, and join
- WP and WP merge document creation
- Reporting capabilities through PACE Report
- Graphics through the VS Graphics Facility
- Creation of DMS data and control files that can be converted to PACE tables, 20/20

spreadsheets, or downloaded to any PC supported by the PC/VS Data Exchange Utility.

The ability of the PACE/Cullinet Connection to insulate end users from IBM and Cullinet software brings the power of corporate information to the PACE and VS software environment.

Standard Warranty Applies

Wang Laboratories, Inc., reserves the right to change specifications without prior notice.