

SINGLE

693200

Copy No. 3

APPLICATION

OF

GEORGE J. BROWN

FOR

UNITED STATES PATENT

ON

FLEXURE GIMBAL

Case No. 57-20

No. of Drawing  
Sheets 31

Assignee

**Hycon Mfg. Company**

Attorney of Record

**Forrest J. Lilly**

SPECIFICATION

TO ALL WHOM IT MAY CONCERN:

Be it known that I, GEORGE J. BROWN  
 a citizen of the United States of America  
 and resident of Pasadena  
 in the County of Los Angeles  
 and State of California  
 have invented a new and useful FLEXURE GIMBAL

of which the following is a specification:

DOCUMENT NO. 2  
 NO CHANGE IN CLASS.   
 DECLASSIFIED  
 CLASS. CHANGED TO: TS (S) C 2011  
 NEXT REVIEW DATE:  
 AUTH: HR 70,2  
 DATE: 22068 REVIEWER: C1C956

CONTAINS SENSITIVE INFORMATION

Case No. 57-20

HYCON MFG. COMPANY

Copy No. 3

Serial No. 693200

FLEXURE GIMBAL - Sheet 1 of 31

FIG. 1

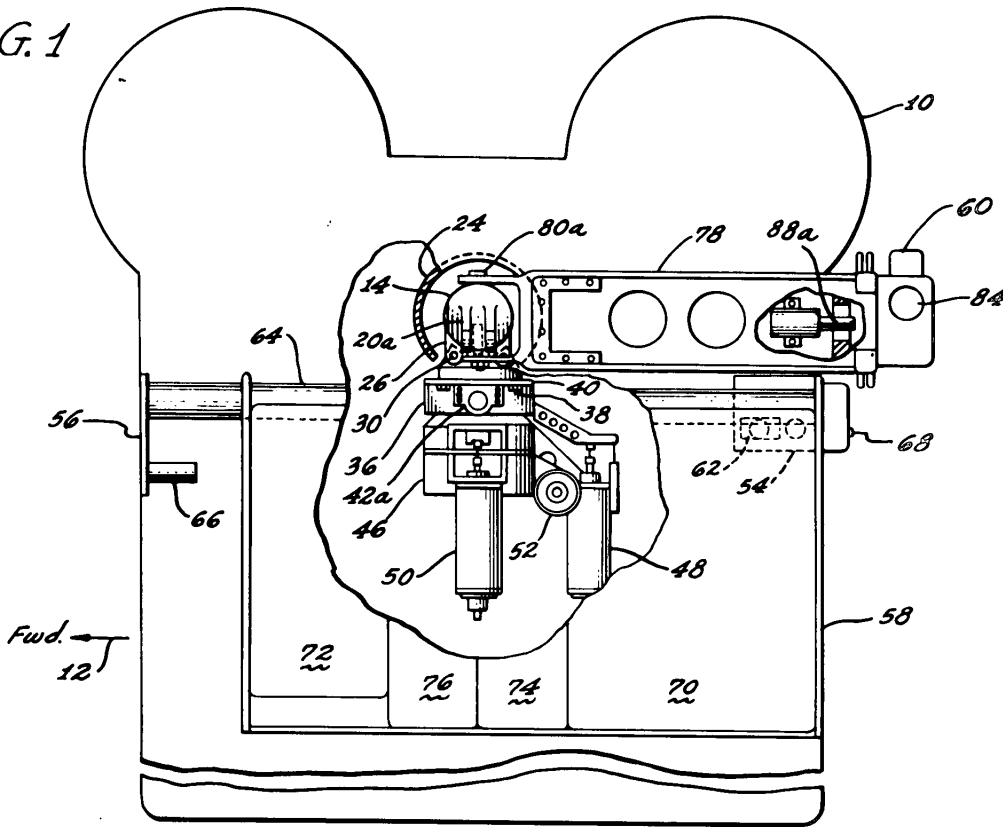
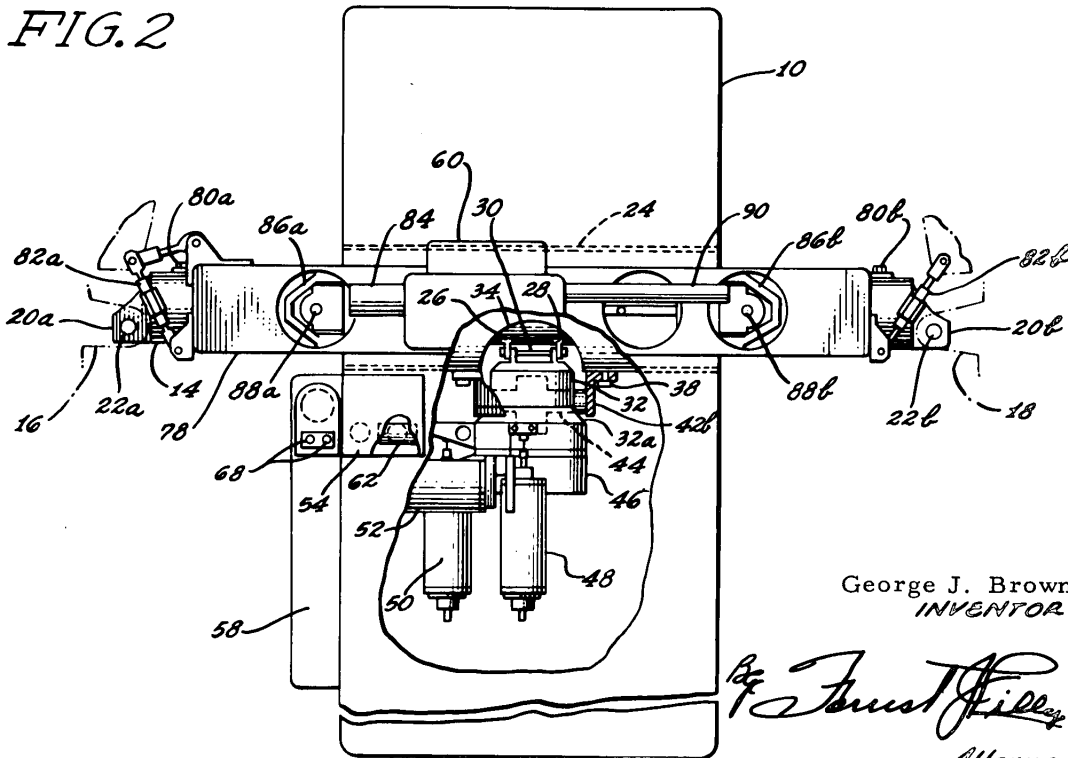


FIG. 2



George J. Brown  
INVENTOR

*For Trust Fidelity*  
Attorneys

Case No. 57-20

HYCON MFG. COMPANY

Serial No. 693200

FLEXURE GIMBAL - Sheet 2 of 31

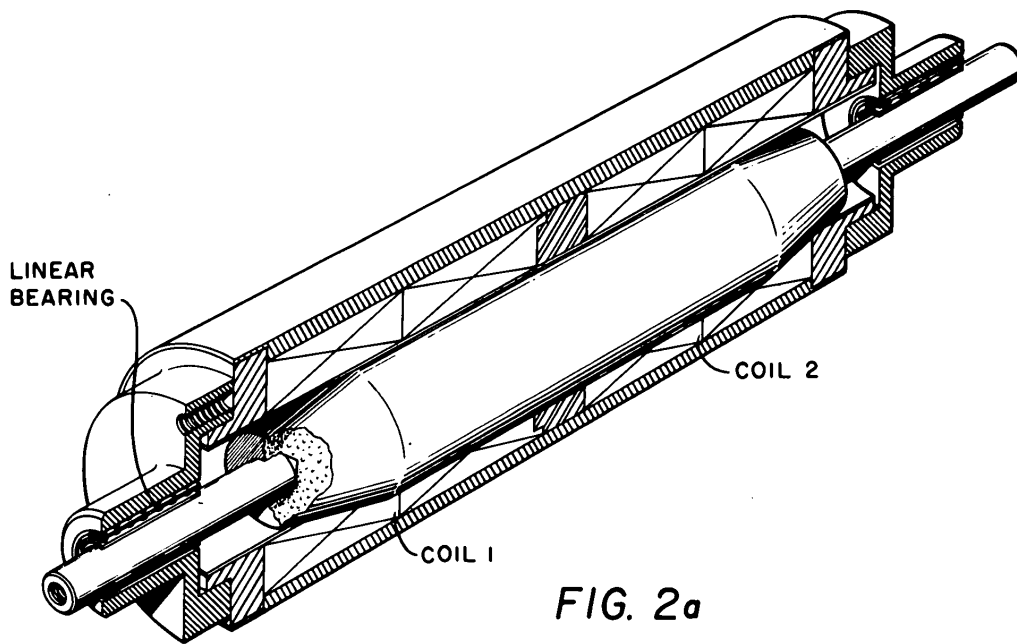


FIG. 2a

George J. Brown  
INVENTOR

BY *Frank Hiller*

ATTORNEY

HYCON MFG. COMPANY

Case No. 57-20

Serial No. 693200

FLEXURE GIMBAL - Sheet 3 of 31

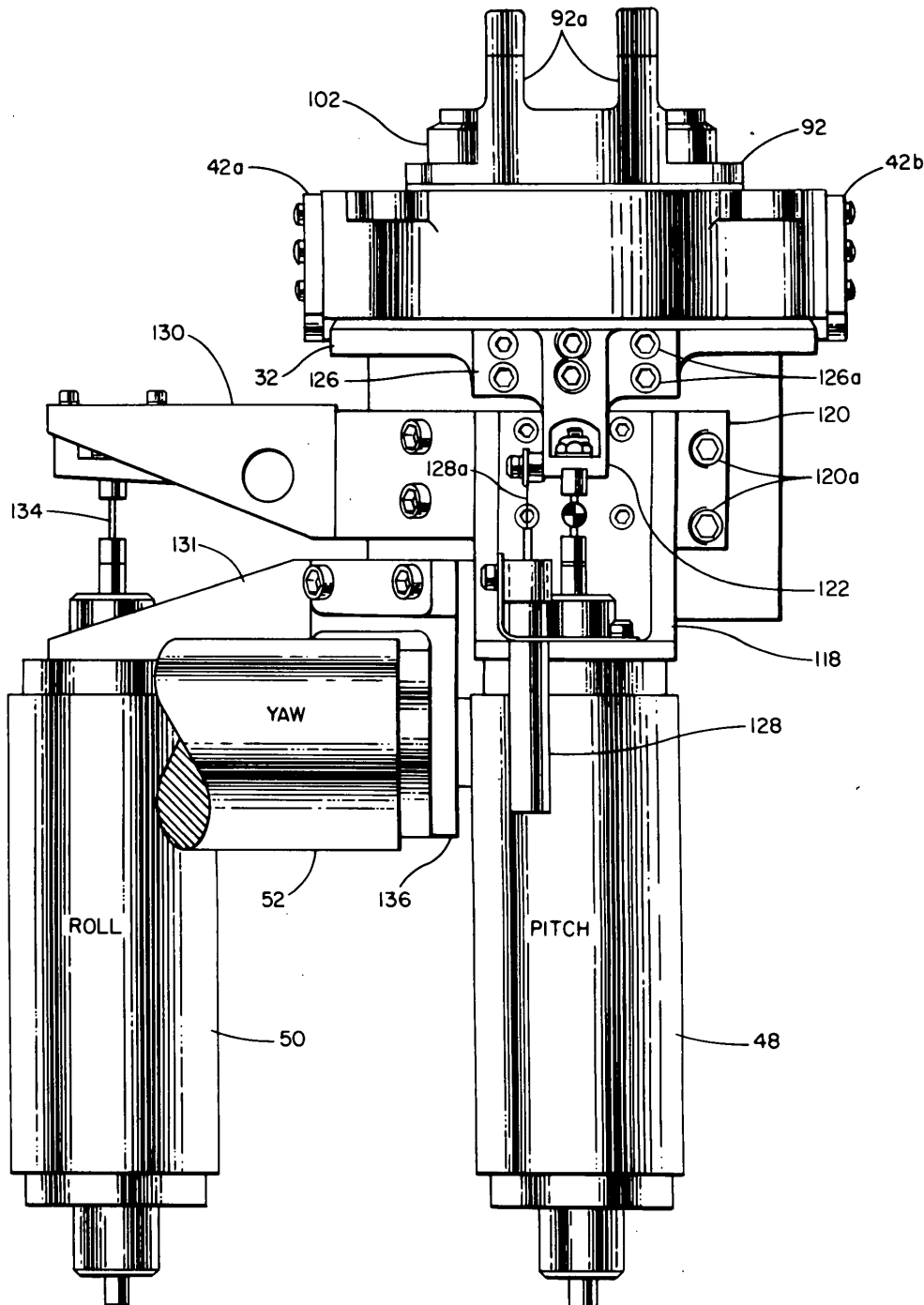


FIG. 3

George J. Brown  
INVENTOR

BY *Forrest Hiller*  
ATTORNEY

HYCON MFG. COMPANY

Case No. 57-20

Serial No. 693200

FLEXURE GIMBAL - Sheet 4 of 31

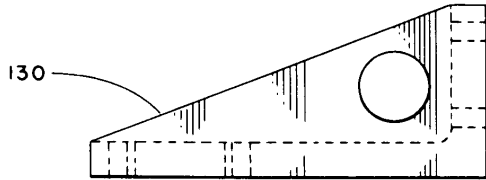


FIG. 3a

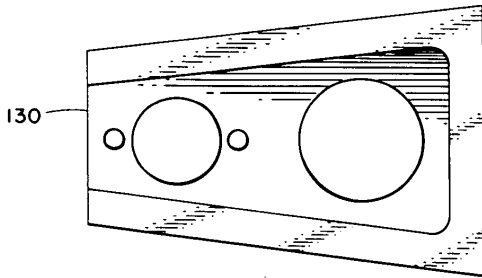


FIG. 3b

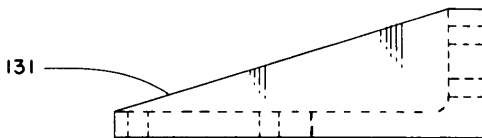


FIG. 3c

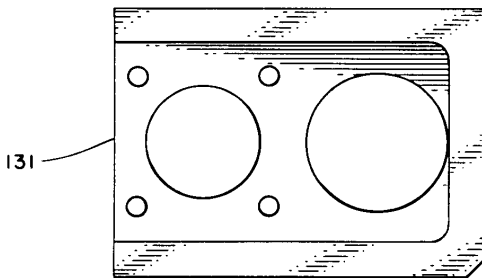


FIG. 3d

George J. Brown  
INVENTOR

BY *Forest J. Riley*

ATTORNEY



HYCON MFG. COMPANY

693200

Case No. 57-20

Serial No.

FLEXURE GIMBAL - Sheet 6 of 31

FIG. 4a

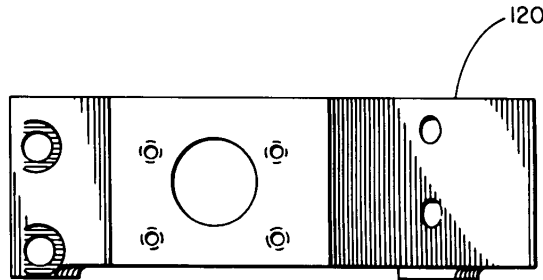
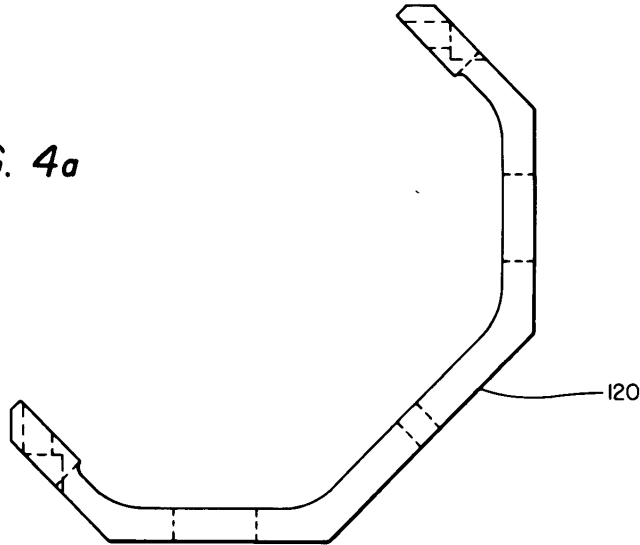


FIG. 4b

George J. Brown  
INVENTOR

BY *James J. Lister*

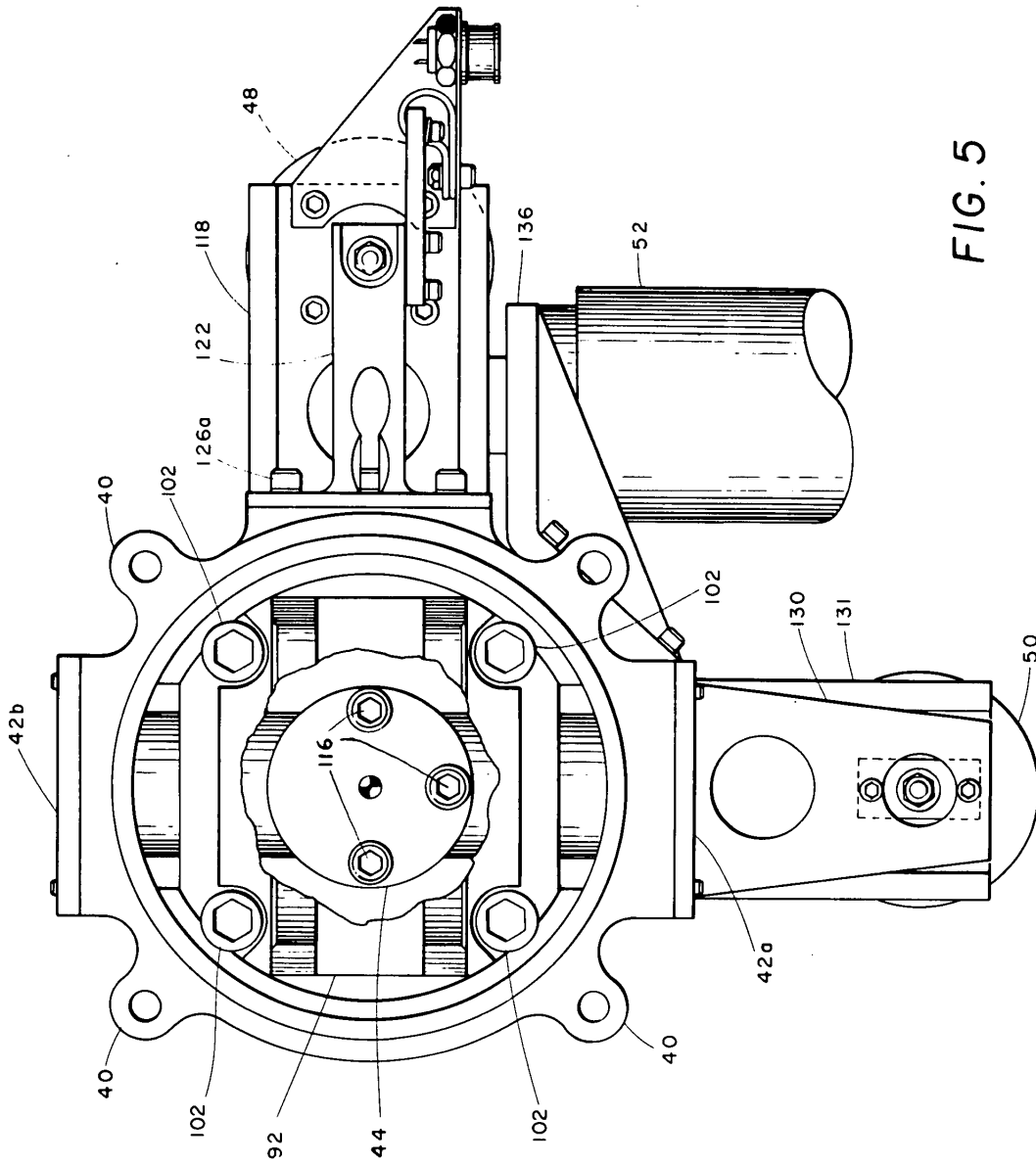
ATTORNEY

HYCON MFG. COMPANY

Case No. 57-20

Serial No. 693200

FLEXURE GIMBAL - Sheet 7 of 31



George J. Brown  
INVENTOR

BY *Frank J. Kelly*

ATTORNEY



HYCON MFG. COMPANY

Case No. 57-20

Serial No. 693200

FLEXURE GIMBAL - Sheet 8 of 31

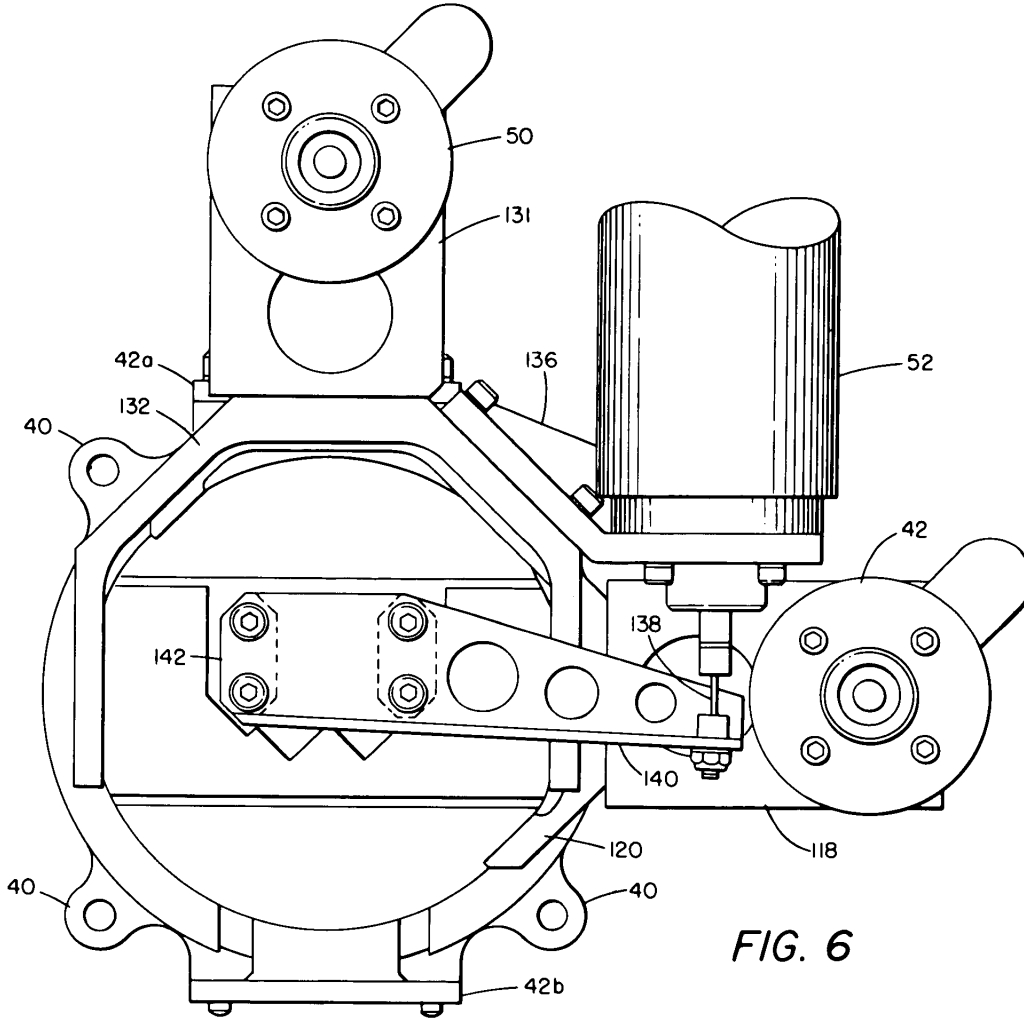


FIG. 6

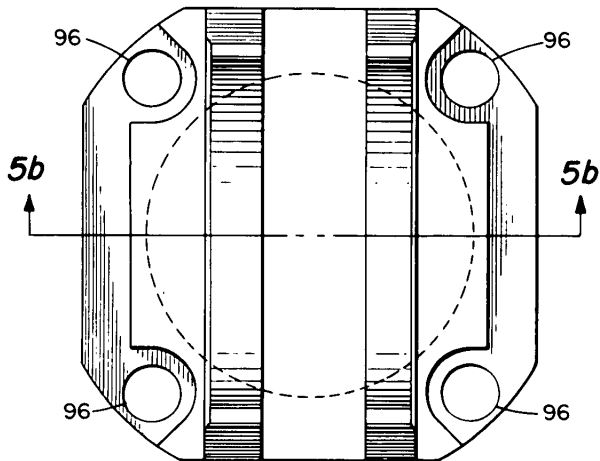


FIG. 5a

George J. Brown  
INVENTOR

BY *Forest Hill*

ATTORNEY

Case No. 57-20

HYCON MFG. COMPANY

Serial No. 693200

FLEXURE GIMBAL - Sheet 9 of 31

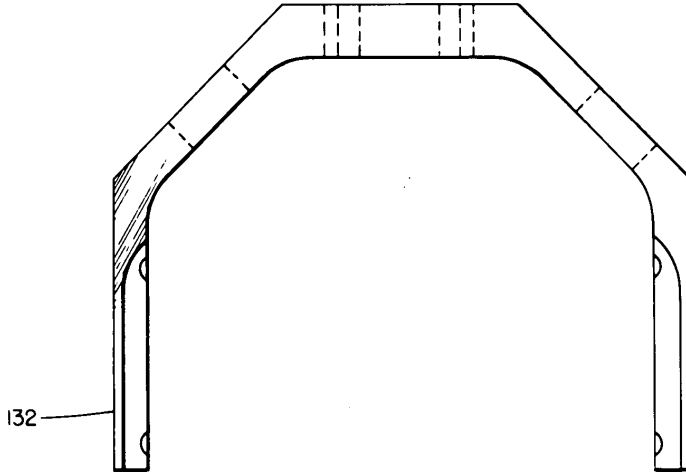


FIG. 6a

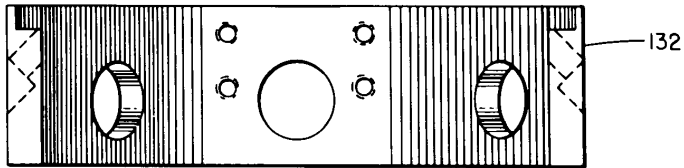


FIG. 6b

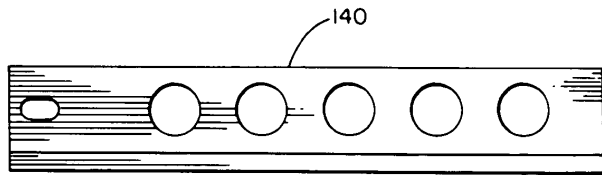


FIG. 6c

George J. Brown  
INVENTOR

BY *Frank J. Hill*

ATTORNEY

HYCON MFG. COMPANY

693200

Case No. 57-20

Serial No.

FLEXURE GIMBAL - Sheet 10 of 31

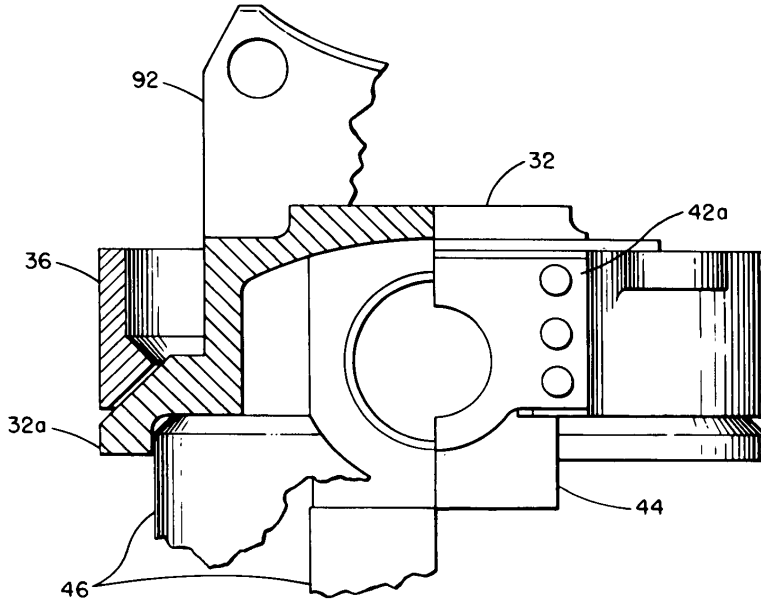


FIG. 7

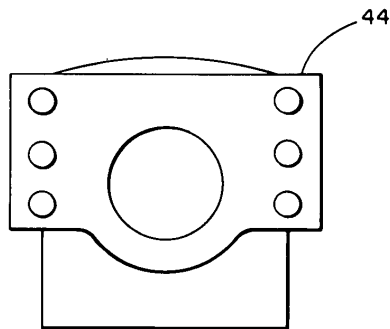


FIG. 7a

George J. Brown  
INVENTOR

BY *James Hiller*

ATTORNEY

Case No. 57-20

HYCON MFG. COMPANY

Serial No. **693200**

FLEXURE GIMBAL - Sheet 11 of 31

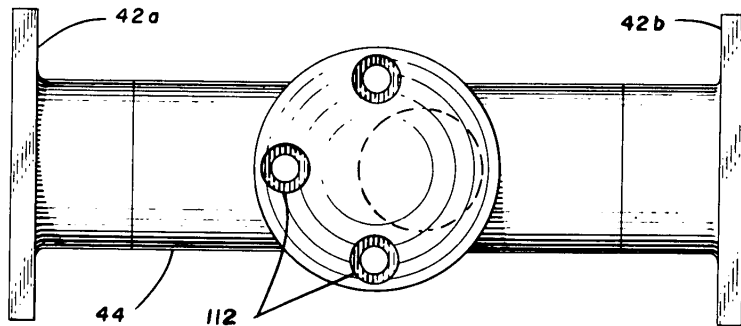


FIG. 7b

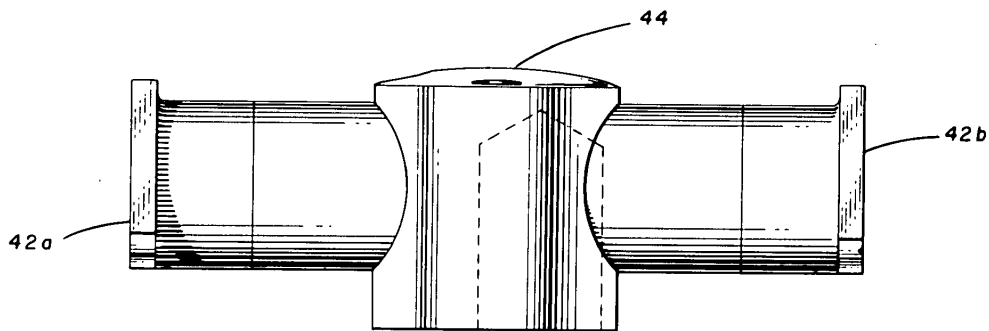


FIG. 7c

George J. Brown  
INVENTOR

BY *Frederic J. Kelly*  
ATTORNEY

HYCON MFG. COMPANY

Case No. 57-20

Serial No. 693200

FLEXURE GIMBAL - Sheet 12 of 31

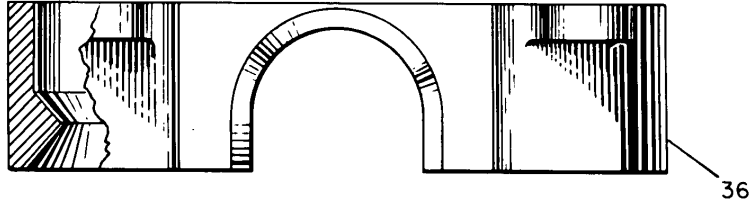


FIG. 7d

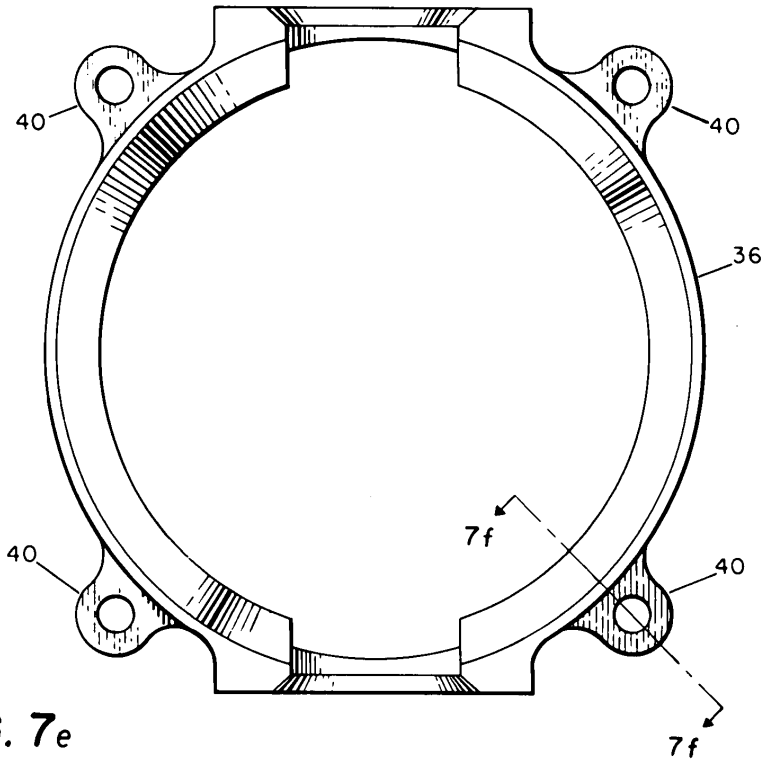


FIG. 7e

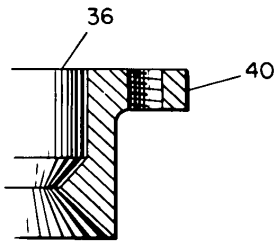


FIG. 7f

George J. Brown  
INVENTOR

BY *Forest J. Filler*

ATTORNEY

Case No. 57-20

HYCON MFG. COMPANY

Serial No. 693200

FLEXURE GIMBAL - Sheet 13 of 31

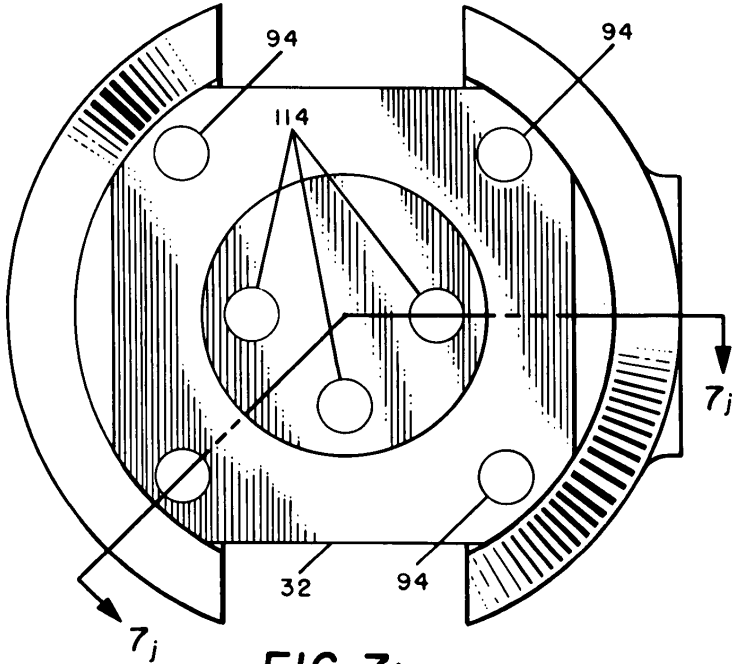


FIG. 7i

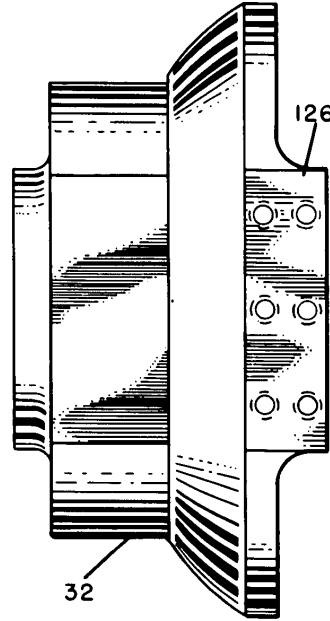


FIG. 7h

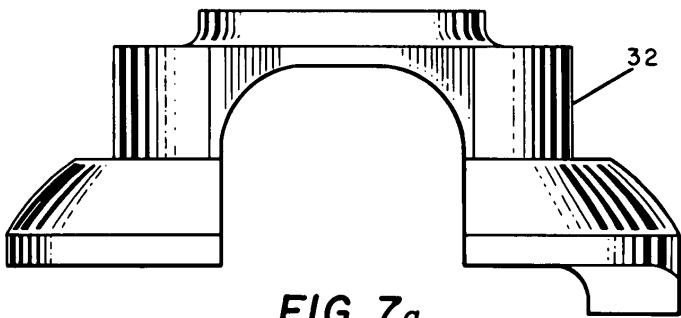


FIG. 7g

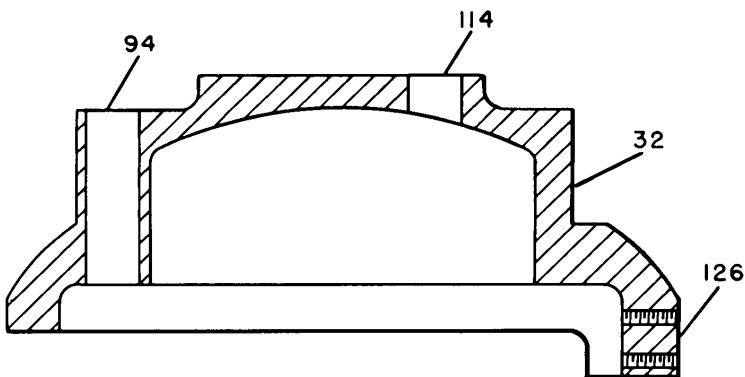


FIG. 7j

George J. Brown  
INVENTOR

BY *James Hill*  
ATTORNEY

Case No. 57-20

HYCON MFG. COMPANY

Serial No. 693200

FLEXURE GIMBAL - Sheet 14 of 31

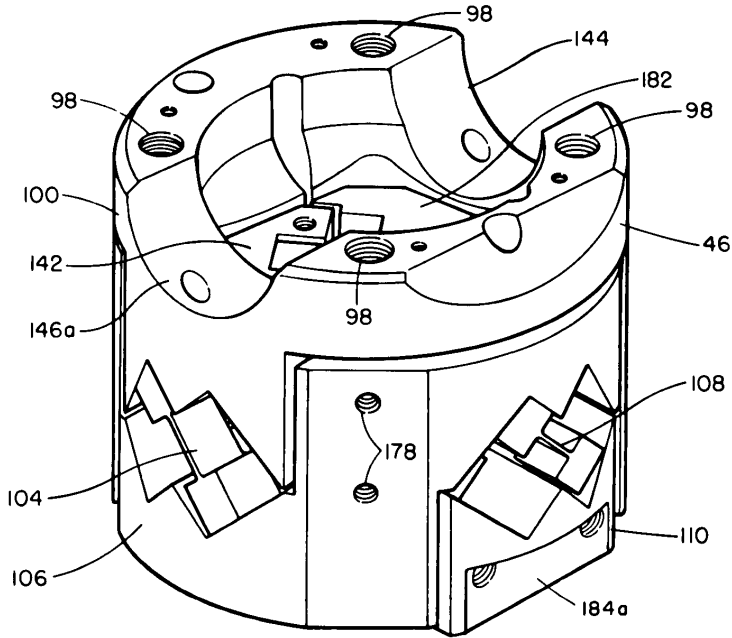


FIG. 8

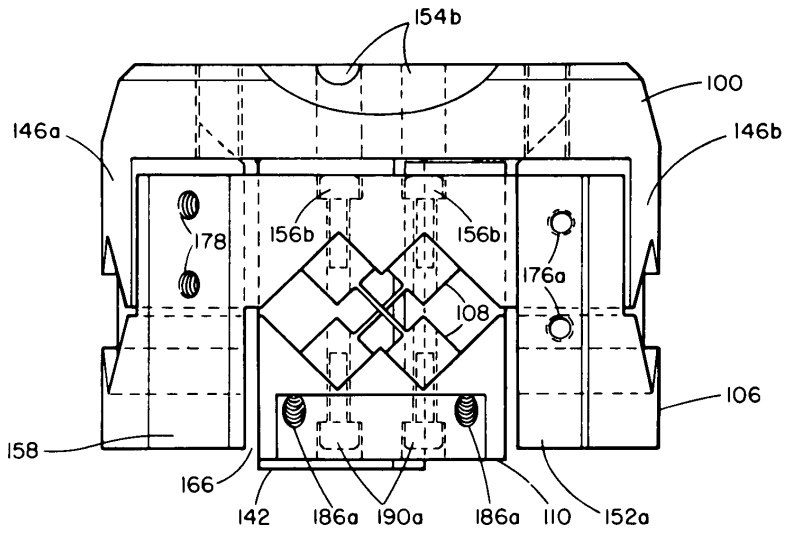


FIG. 9

George J. Brown  
INVENTOR

BY *Forrest J. Hill*  
ATTORNEY

Case No. 57-20

HYCON MFG. COMPANY

Serial No. 693200

FLEXURE GIMBAL - Sheet 15 of 31

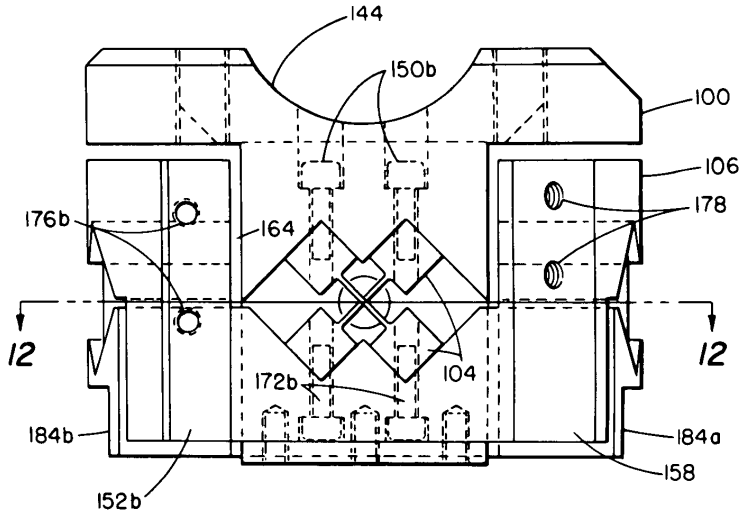


FIG. 11

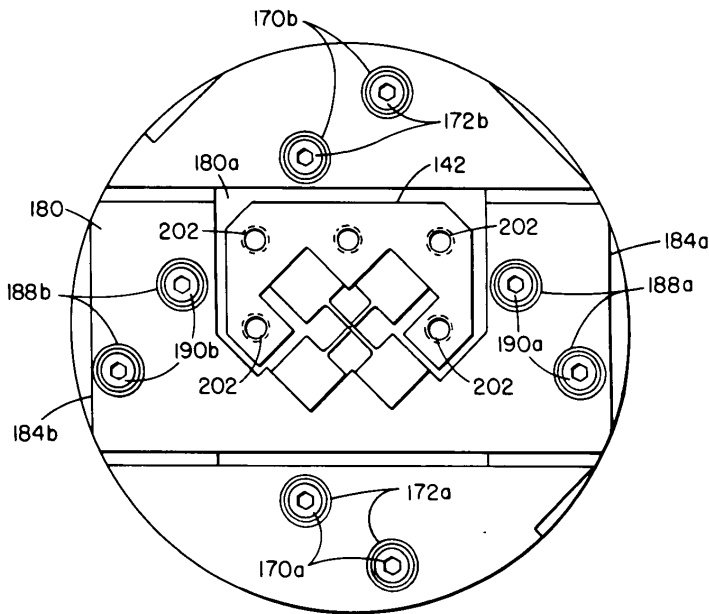


FIG. 10

George J. Brown  
INVENTOR

BY *James J. Hill*

ATTORNEY



Case No. 57-20

HYCON MFG. COMPANY

Serial No. 693200

FLEXURE GIMBAL - Sheet 16 of 31

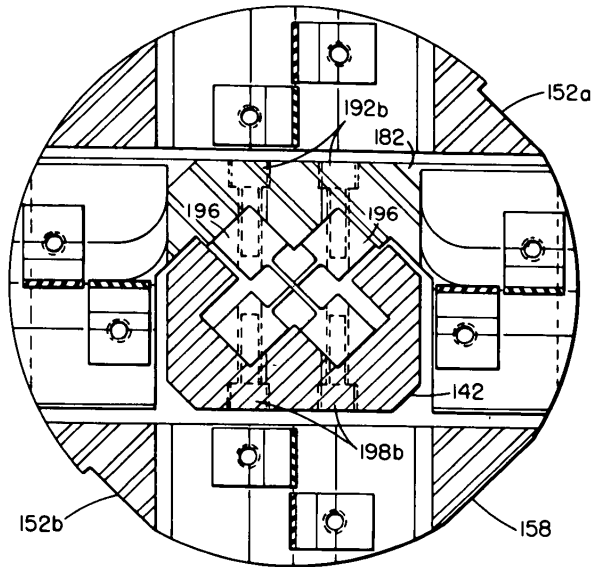


FIG. 12

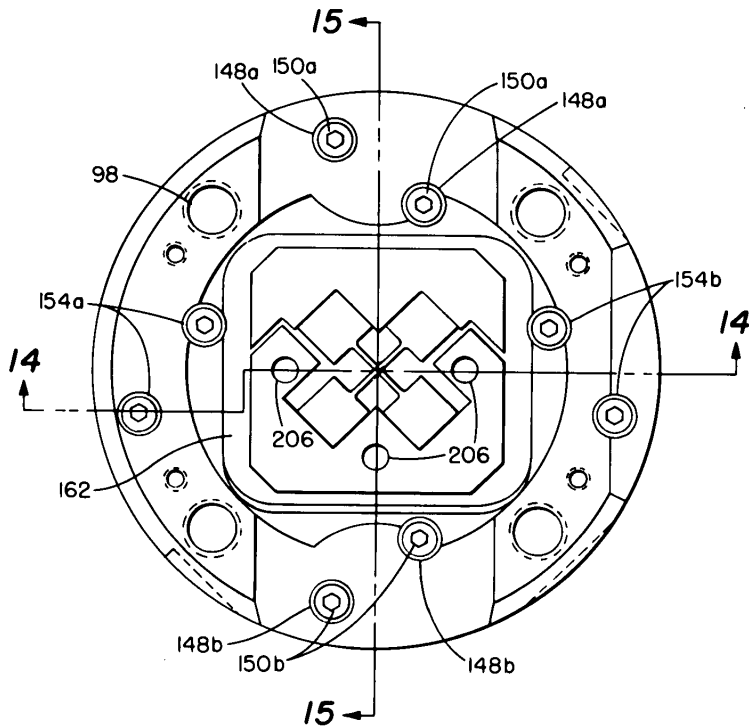


FIG. 13

George J. Brown  
INVENTOR

BY *Frank J. Hiller*

ATTORNEY

Case No. 57-20

HYCON MFG. COMPANY

Serial No. 693200

FLEXURE GIMBAL - Sheet 17 of 31

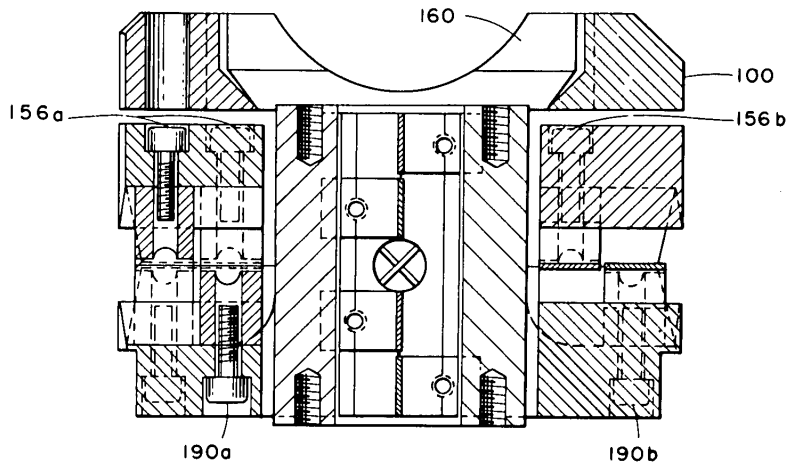


FIG. 14

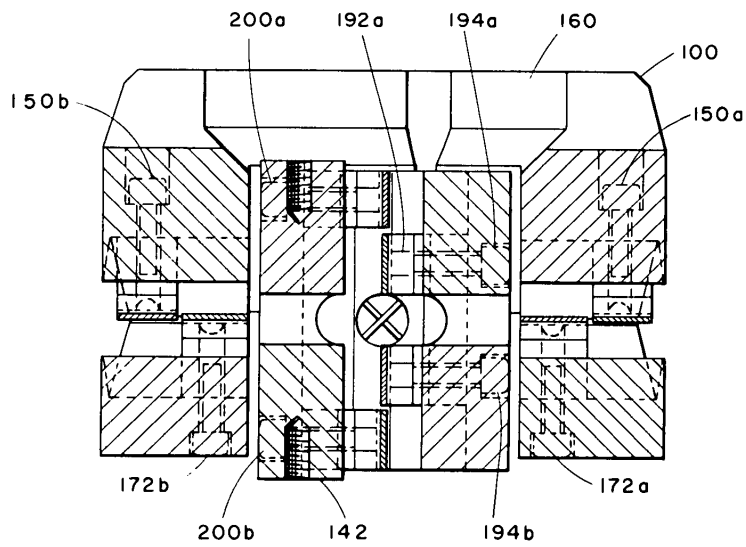


FIG. 15

George J. Brown  
INVENTOR

BY *James J. Hiller*

ATTORNEY

HYCON MFG. COMPANY

693200

Case No. 57-20

Serial No.

FLEXURE GIMBAL - Sheet 18 of 31

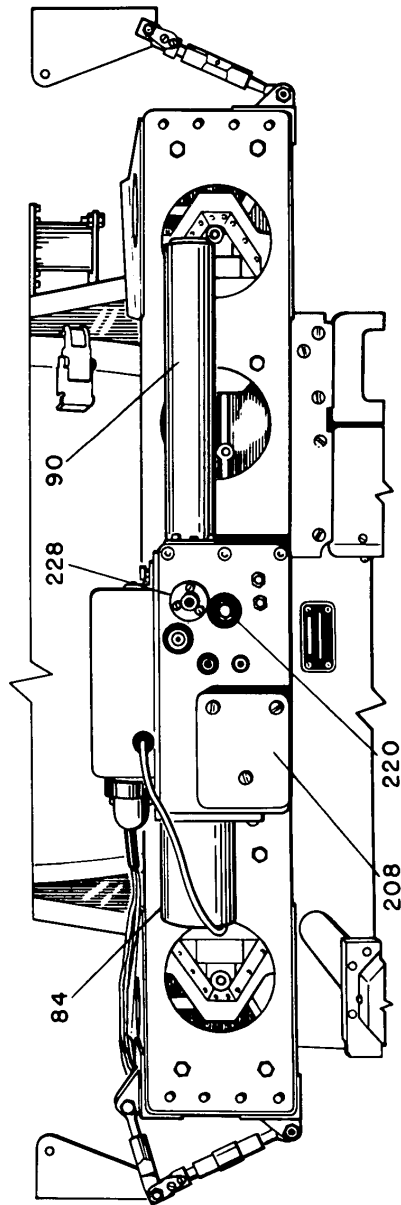


FIG. 16

George J. Brown  
INVENTOR

BY *James Hill*

ATTORNEY

Case No. 57-20

HYCON MFG. COMPANY

693200

Serial No.

FLEXURE GIMBAL - Sheet 19 of 31

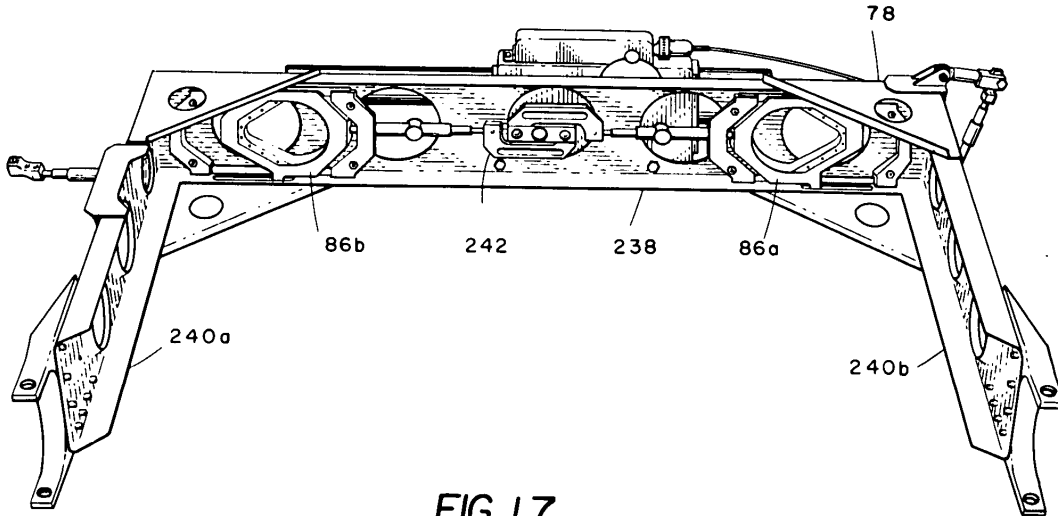


FIG. 17

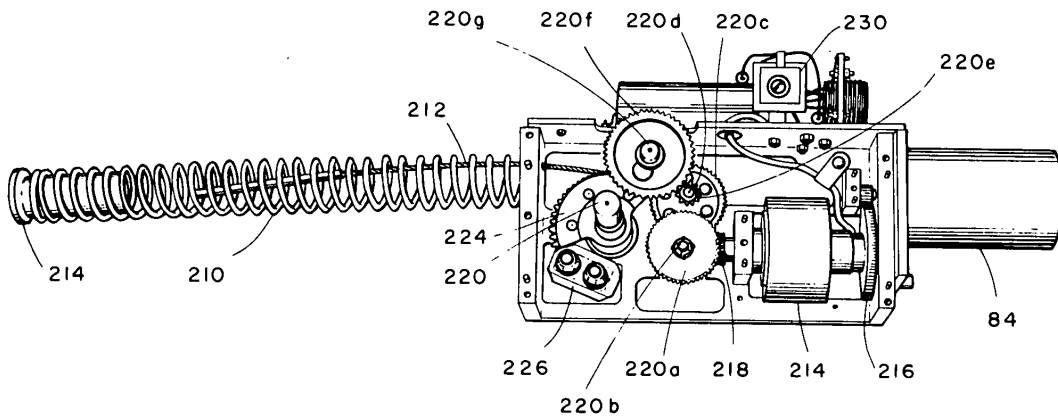


FIG. 18

George J. Brown  
INVENTOR

BY *James H. Kelly*

ATTORNEY

Case No. 57-20

HYCON MFG. COMPANY

Serial No. 693200

FLEXURE GIMBAL - Sheet 20 of 31

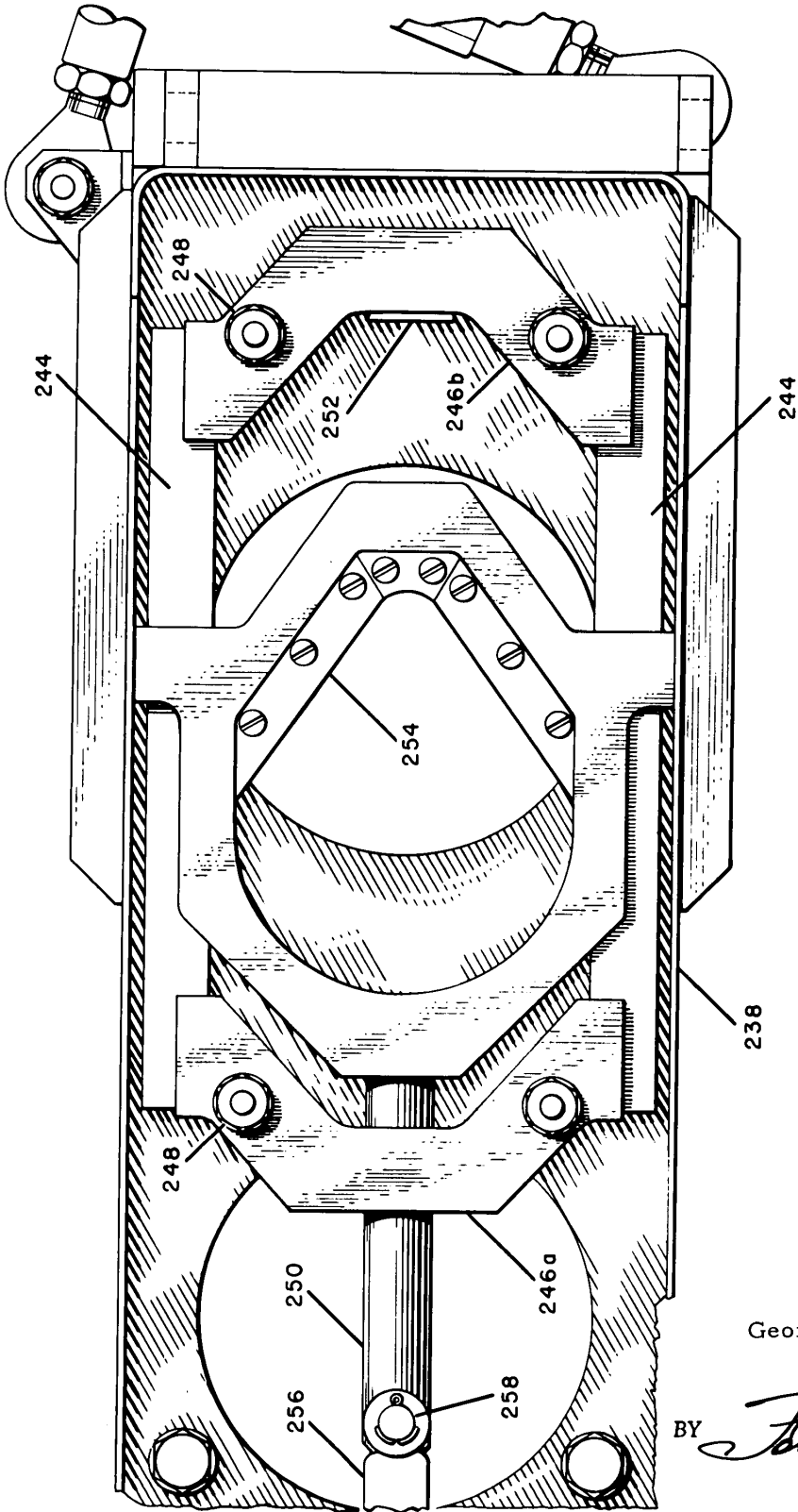


FIG. 17a

George J. Brown  
INVENTOR

BY *Forest Hiller*

ATTORNEY

HYCON MFG. COMPANY

593200

Case No. 57-20

Serial No.

FLEXURE GIMBAL - Sheet 21 of 31

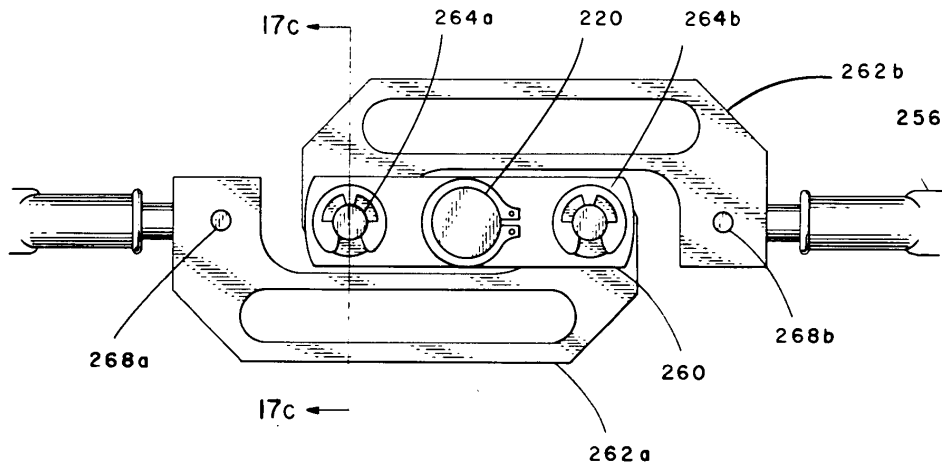


FIG. 17b

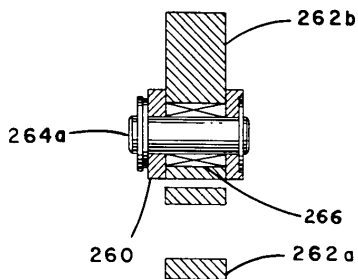


FIG. 17c

George J. Brown  
INVENTOR

BY *Frank J. Lilly*  
ATTORNEY

Case No. 57-20

HYCOM MFG. COMPANY

Serial No. 693200

FLEXURE GIMBAL - Sheet 22 of 31

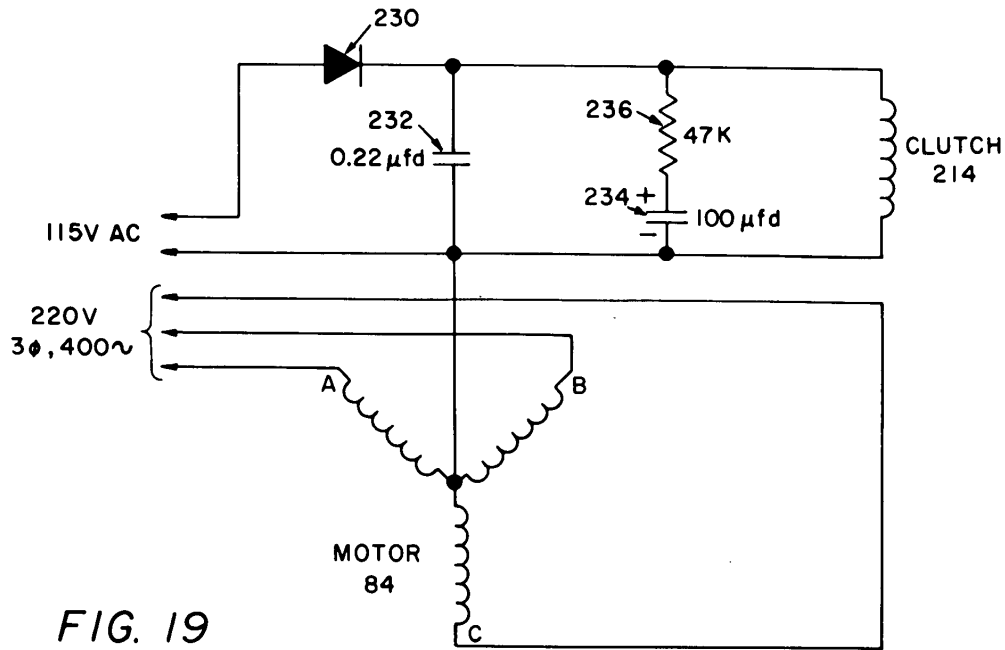


FIG. 19

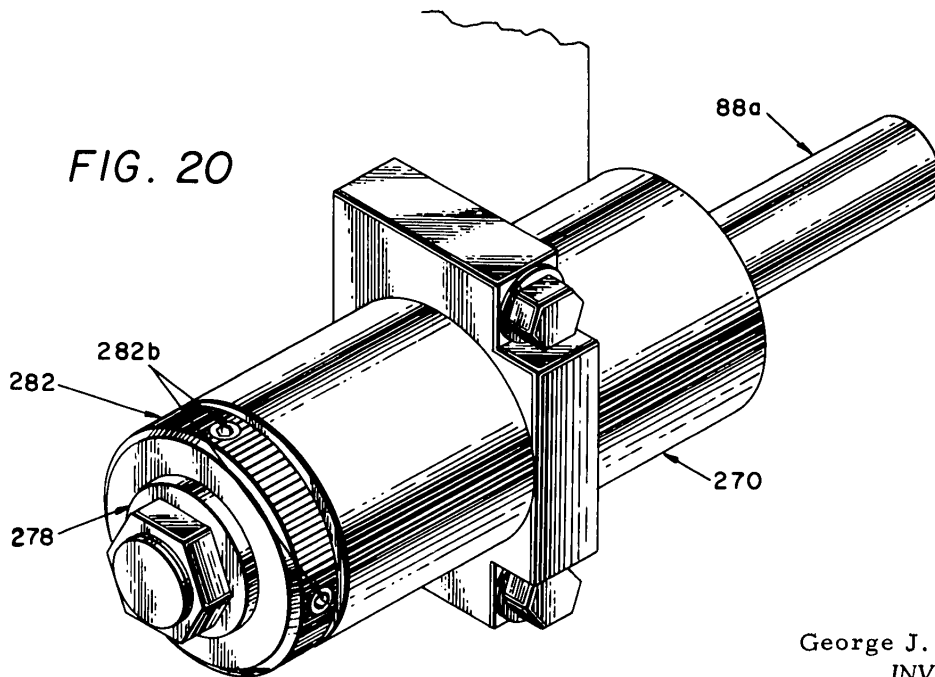


FIG. 20

George J. Brown  
INVENTOR

BY *Frank Kelly*

ATTORNEY

Case No. 57-20

HYCON MFG. COMPANY

Serial No.

693200

FLEXURE GIMBAL - Sheet 23 of 31

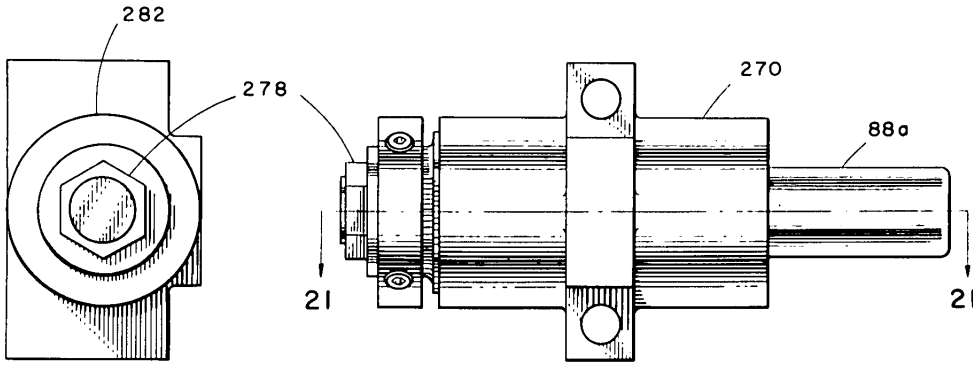


FIG. 20b

FIG. 20a

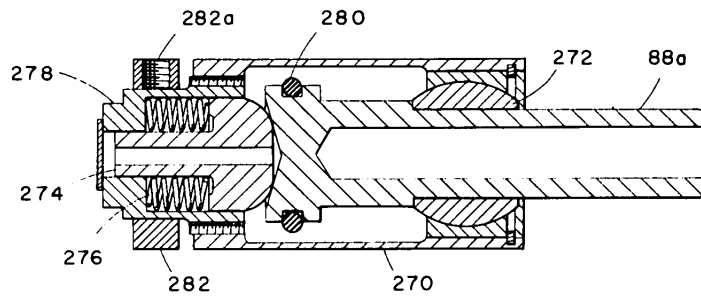


FIG. 21

George J. Brown  
INVENTOR

BY *Frank J. Wiley*

ATTORNEY



HYCON MFG. COMPANY

Case No. 57-20

Serial No. 693200

FLEXURE GIMBAL - Sheet 24 of 31

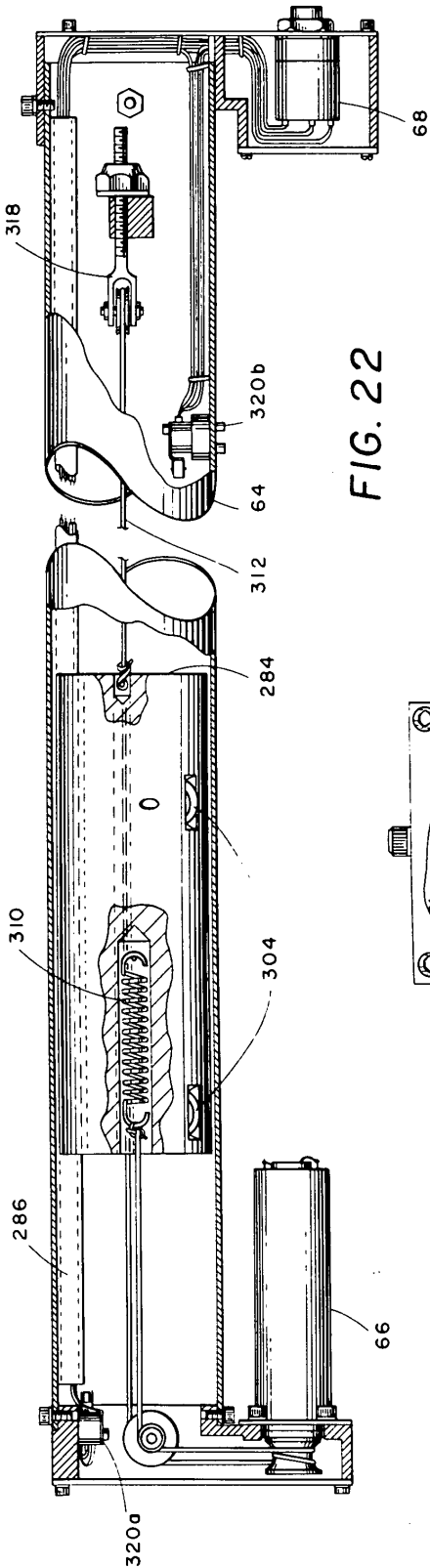


FIG. 22

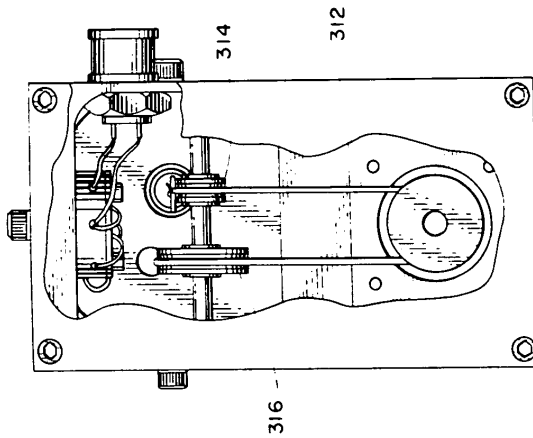


FIG. 23

George J. Brown  
INVENTOR

BY *Frank J. Lilly*  
ATTORNEY

Case No. 57-20

HYCON MFG. COMPANY

Serial No. 693200

FLEXURE GIMBAL - Sheet 25 of 31

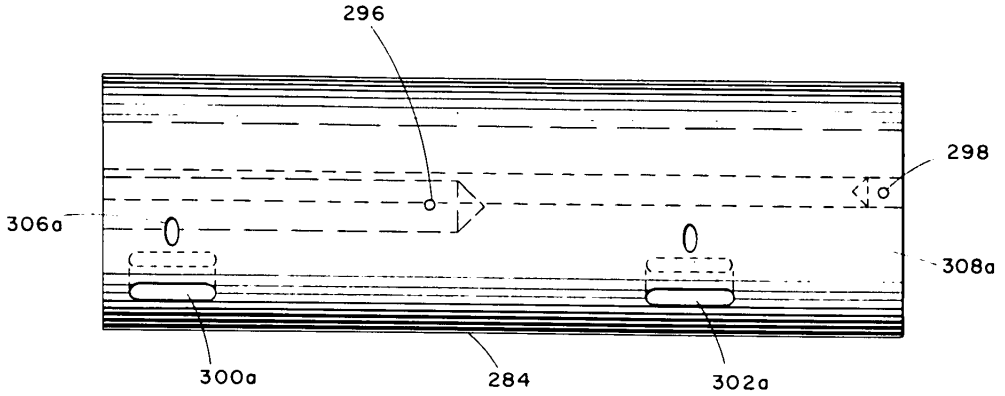


FIG. 23a

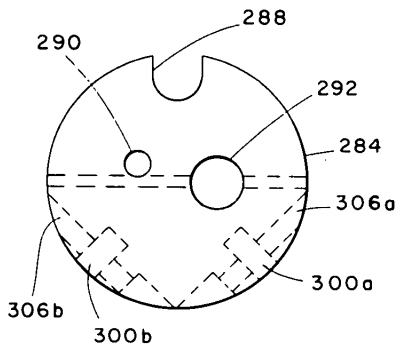


FIG. 23b

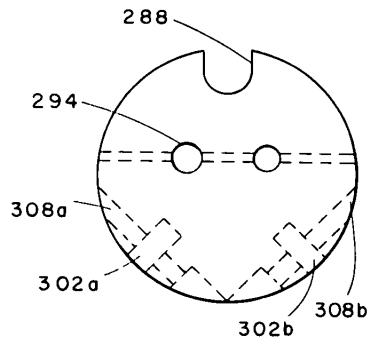


FIG. 23c

George J. Brown  
INVENTOR

BY *James Hilley*

ATTORNEY

Case No. 57-20 **HYCON MFG. COMPANY** Serial No. 693200  
**FLEXURE GIMBAL - Sheet 26 of 31**

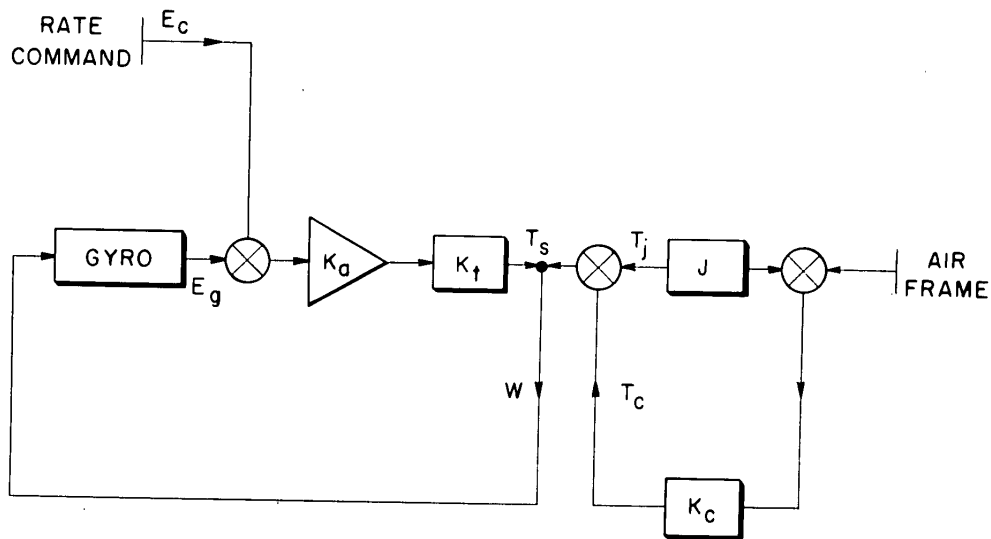


FIG. 24

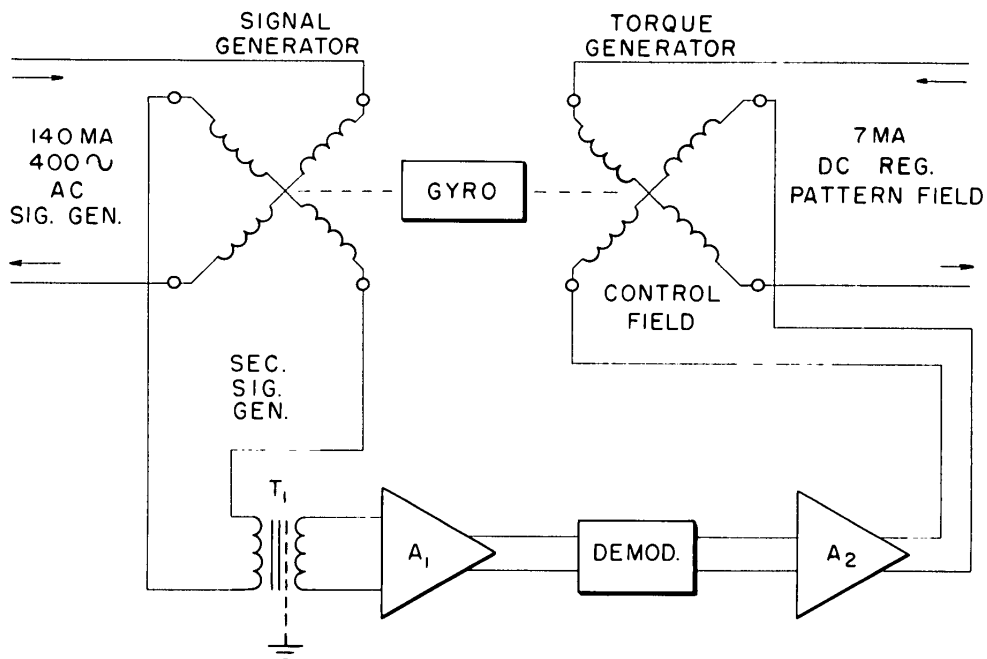


FIG. 25

George J. Brown  
 INVENTOR

BY *Forest Hill*  
 ATTORNEY

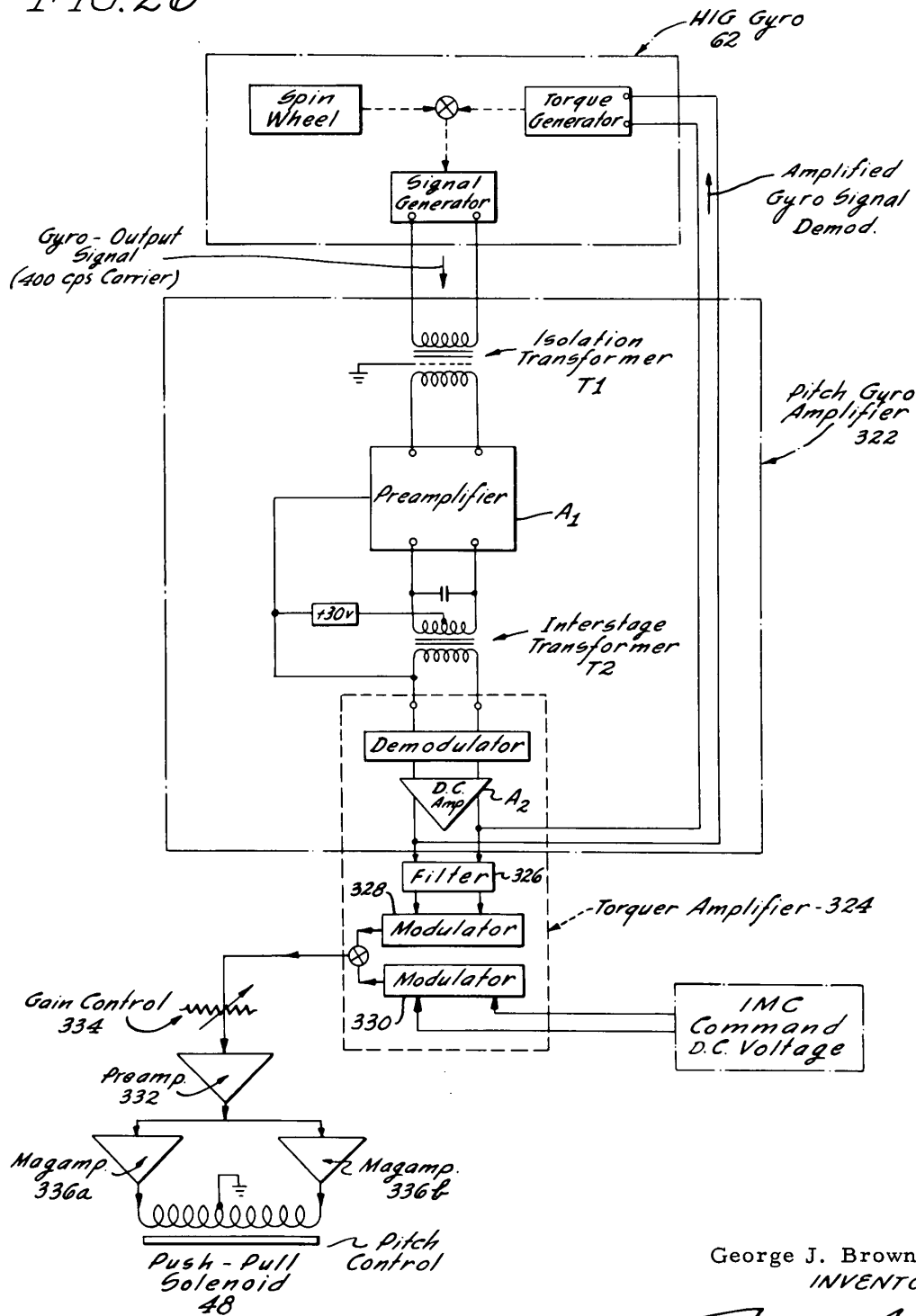
HYCON MFG. COMPANY

Case No. 57-20

Serial No. 693200

FLEXURE GIMBAL - Sheet 27 of 31

FIG. 26



George J. Brown  
INVENTOR

*Forest L. Lee*  
Attorney

Case No. 57-20

HYCON MFG. COMPANY

Serial No. 693200

FLEXURE GIMBAL - Sheet 28 of 31

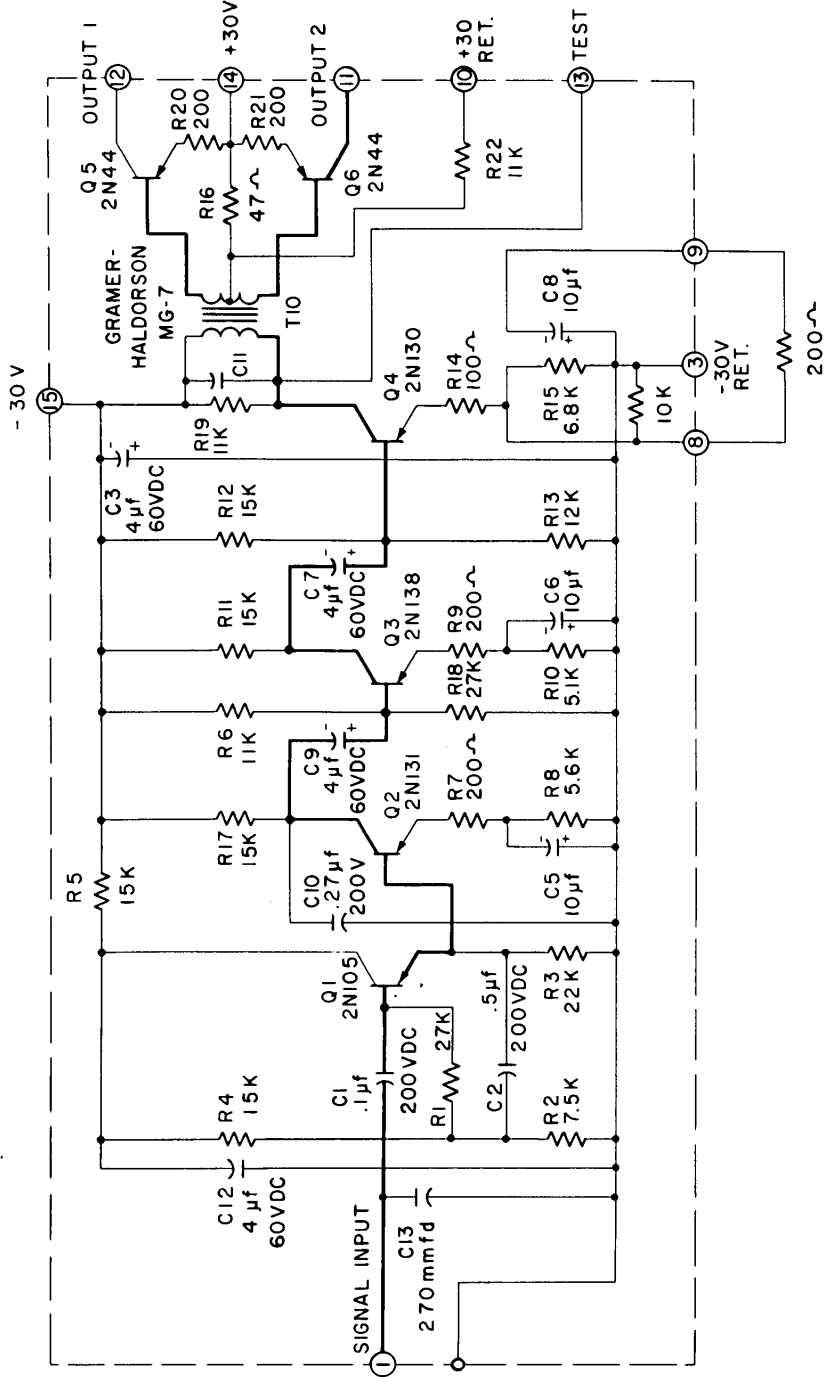


FIG. 27

George J. Brown  
INVENTOR

BY *James Hilly*  
ATTORNEY

HYCON MFG. COMPANY

Case No. 57-20

Serial No. 693200

FLEXURE GIMBAL - Sheet 29 of 31

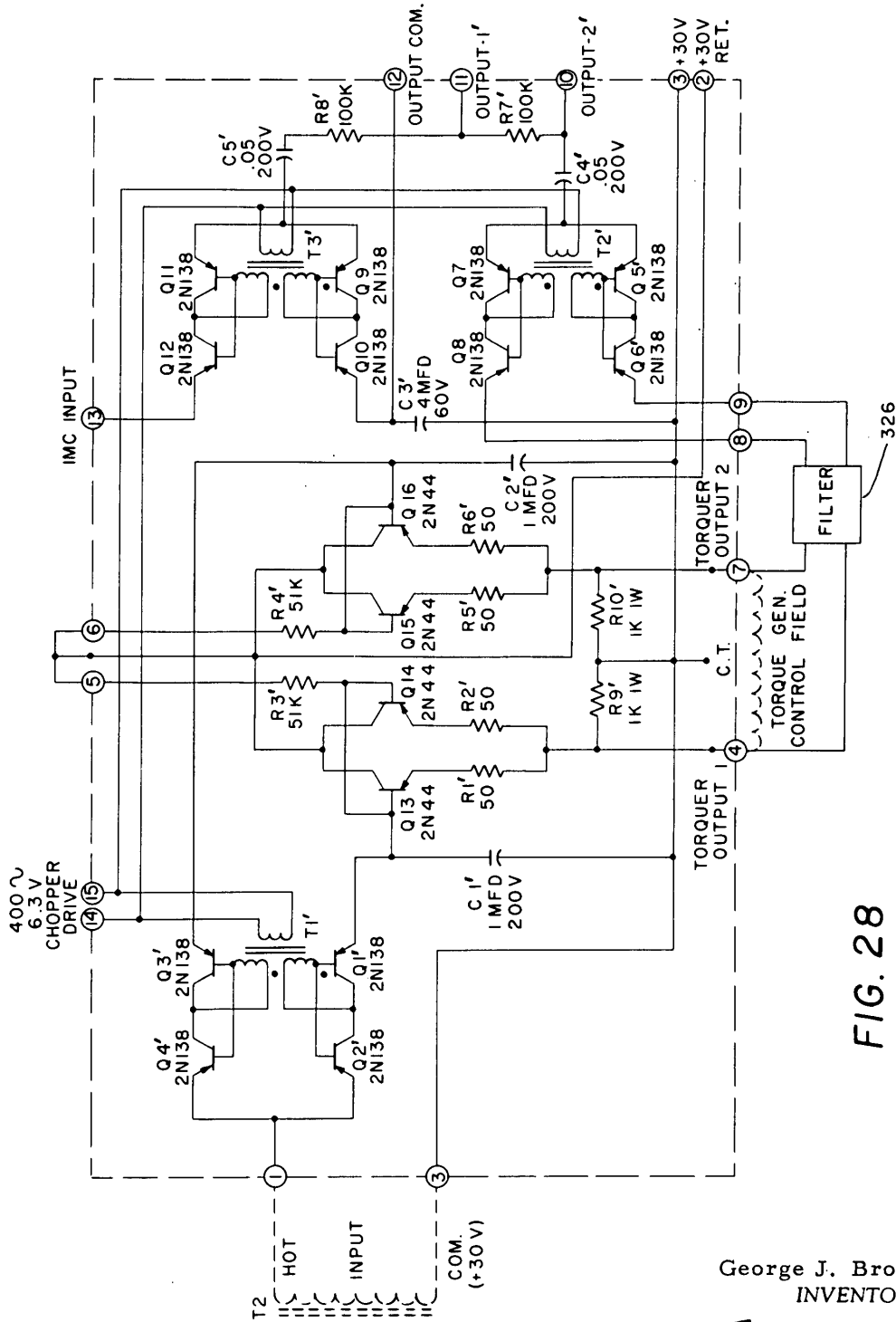


FIG. 28

George J. Brown  
INVENTOR

BY *Frank Hiller*  
ATTORNEY

Case No. 57-20

HYCON MFG. COMPANY

Serial No. 693200

FLEXURE GIMBAL - Sheet 30 of 31

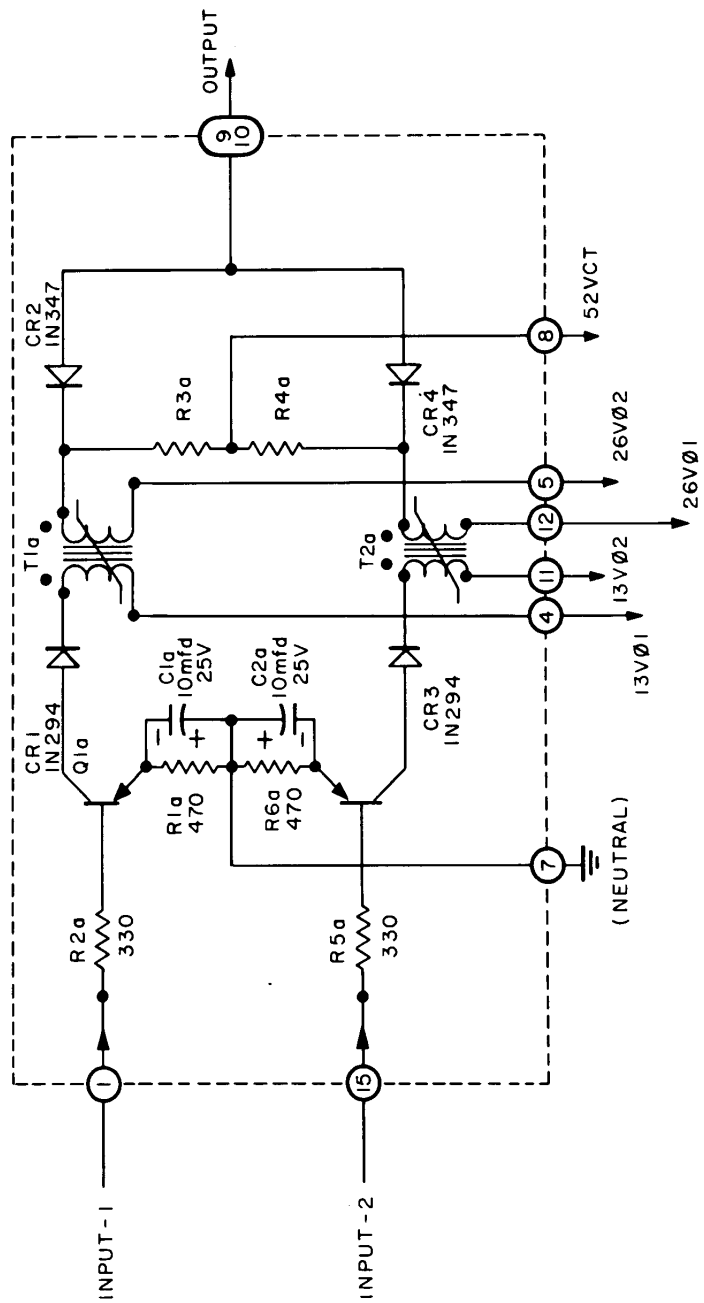


FIG. 29

George J. Brown  
INVENTOR

BY *James J. Hill*  
ATTORNEY

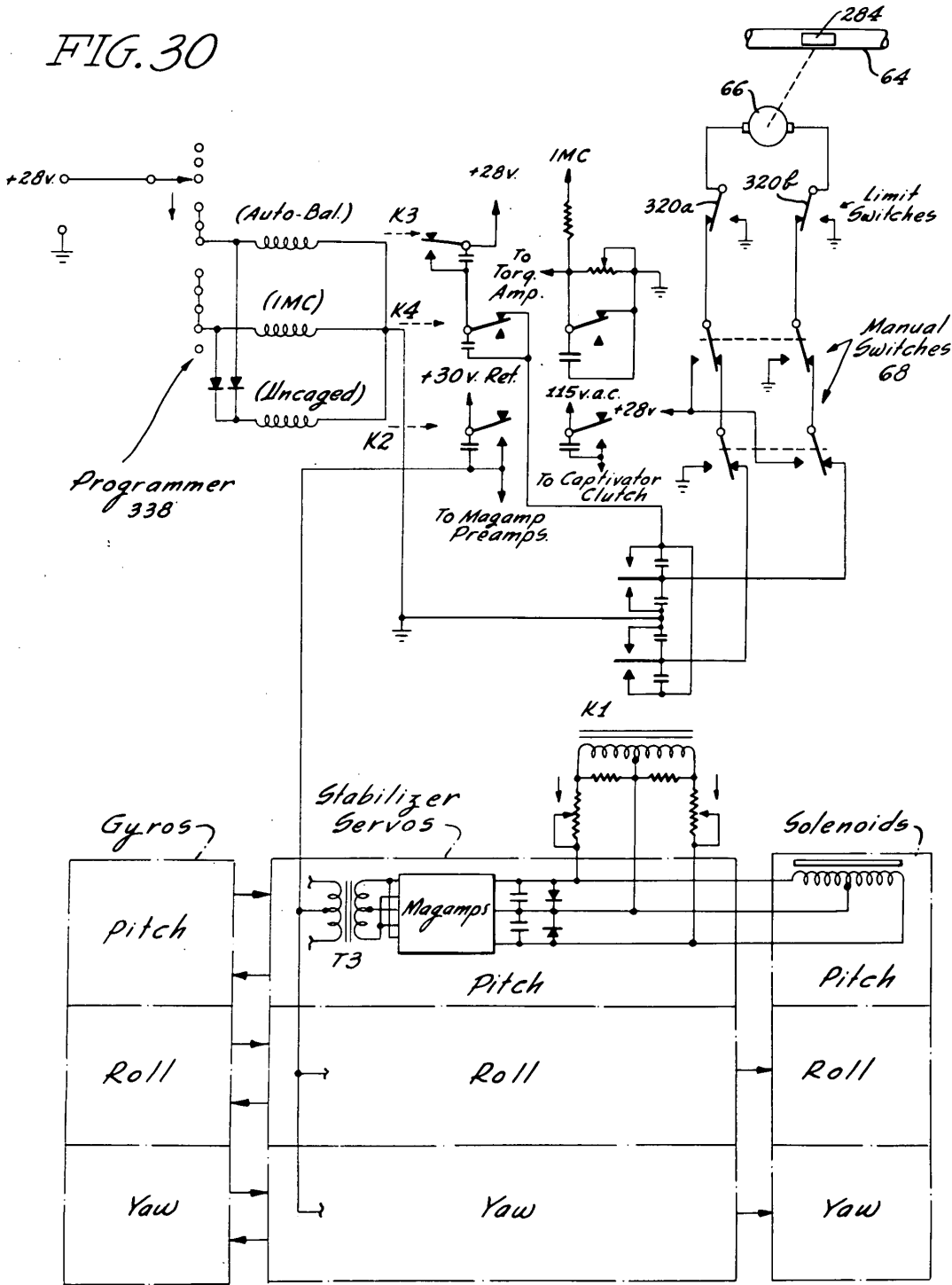
HYCON MFG. COMPANY

Serial No. 893200

Case No. 57-20

FLEXURE GIMBAL - Sheet 31 of 31

FIG. 30



George J. Brown  
INVENTOR

By *James H. Hill*  
Attorney