

Case No. 57-3

HYCON MFG. COMPANY

Copy No. 3

Serial No. 692444

FOCAL PLANE SHUTTER - Sheet 1 of 10

FIG. 1

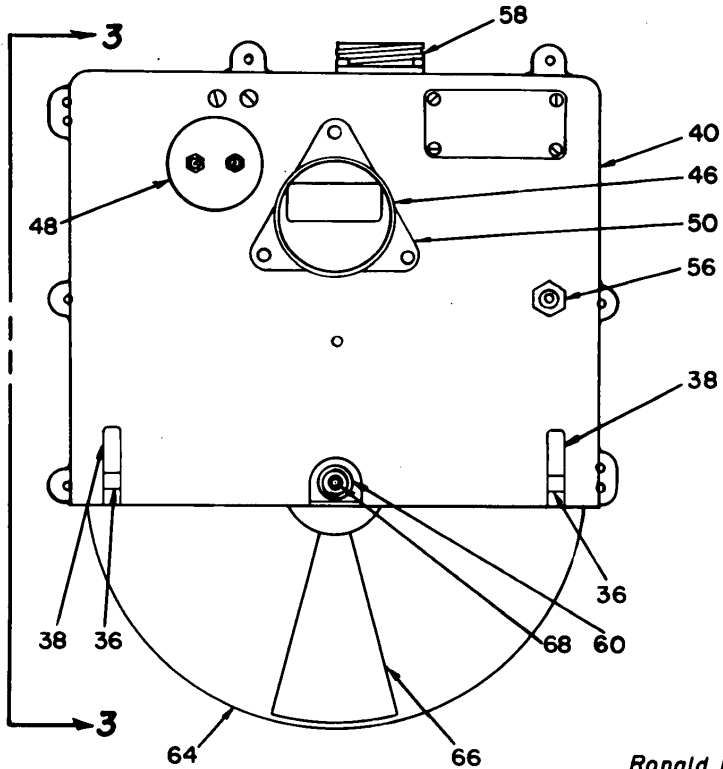
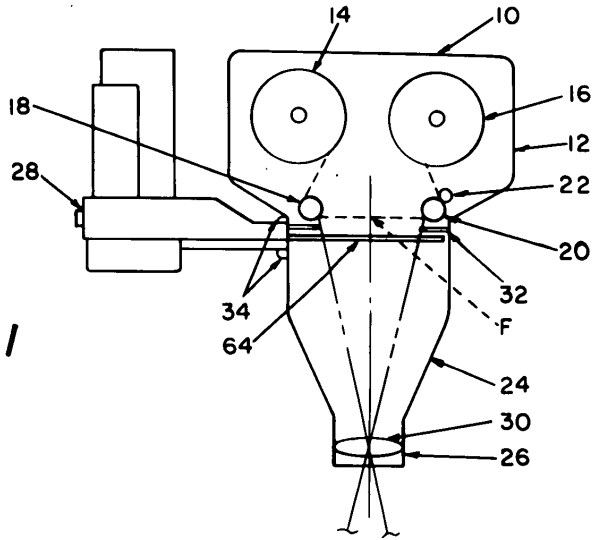


FIG. 2

Ronald E. N. Oxspring  
Philip Rosenblum  
INVENTORS

BY

*Forest Hilley*  
ATTORNEY

HYCON MFG. COMPANY

Case No. 57-3

Serial No. 692444

FOCAL PLANE SHUTTER - Sheet 2 of 10

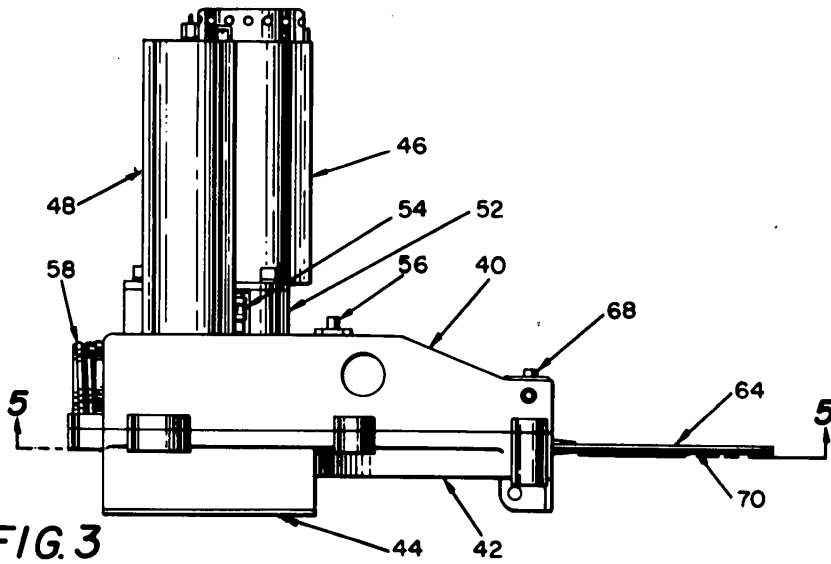


FIG. 3

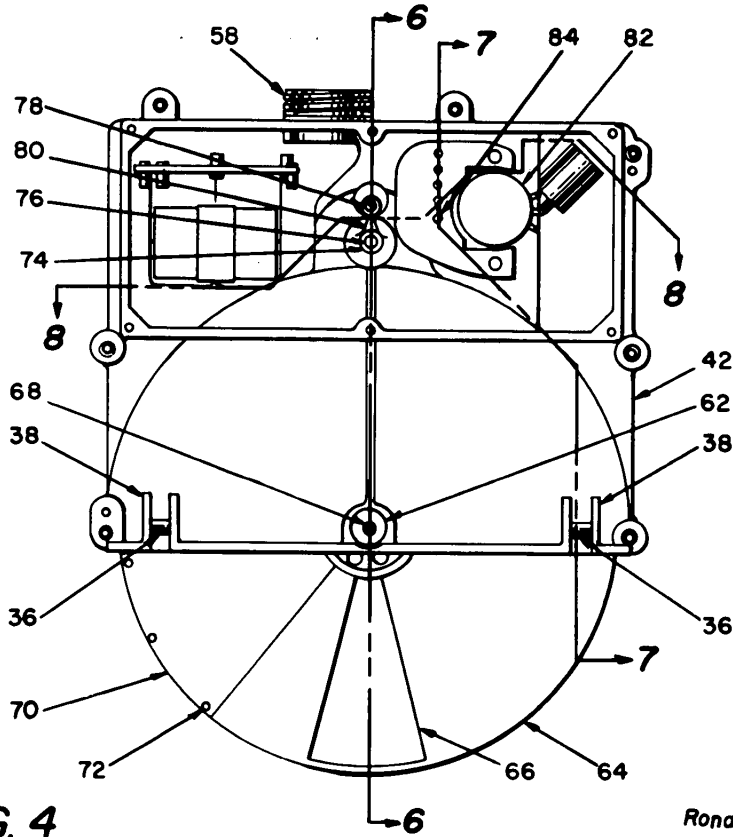


FIG. 4

Ronald E. N. Oxspring  
Philip Rosenblum  
INVENTORS

BY

*Frank J. Lilly*  
ATTORNEY



HYCON MFG. COMPANY

Case No. 57-3

Serial No. 692444

FOCAL PLANE SHUTTER - Sheet 4 of 10

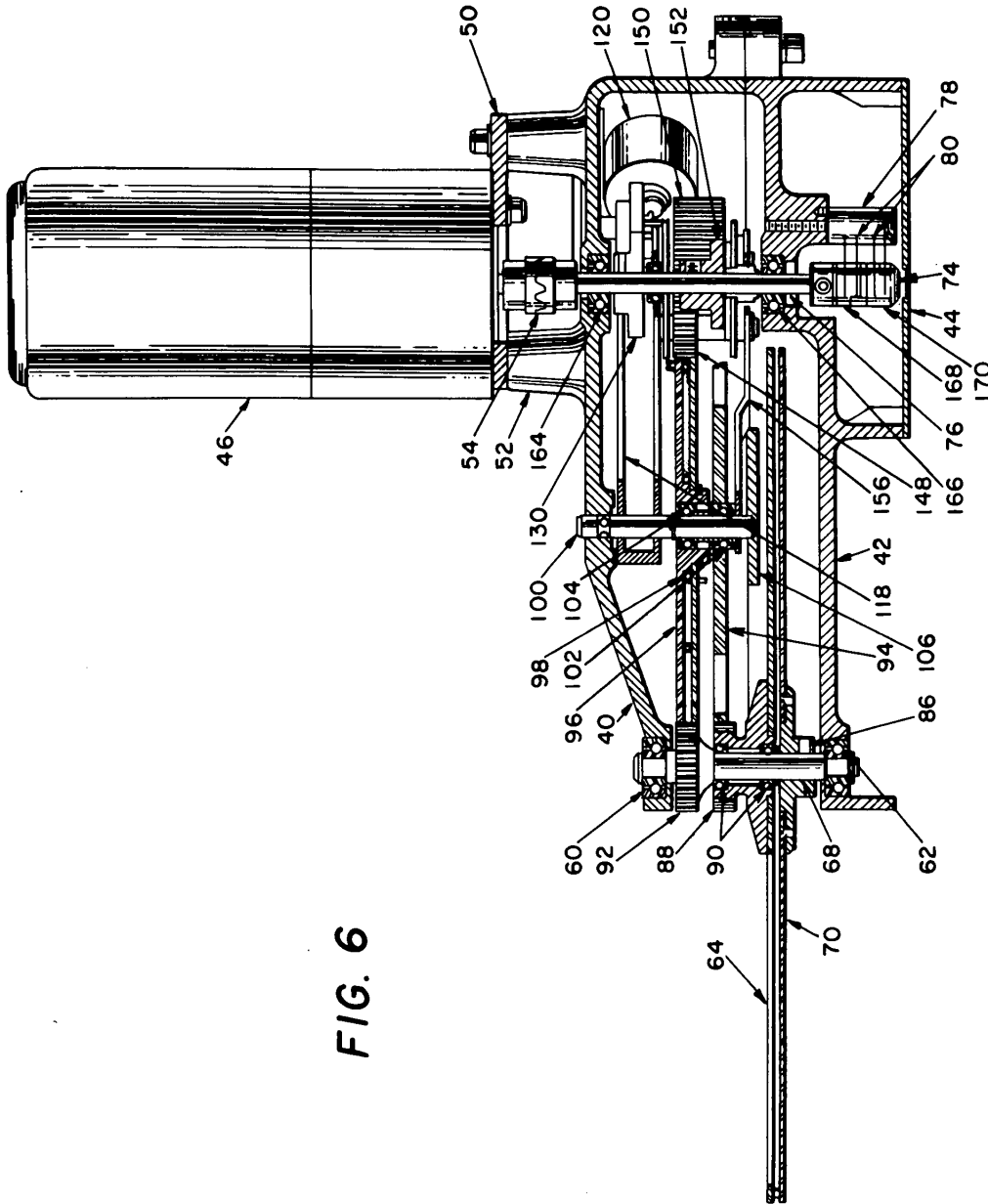


FIG. 6

Ronald E. N. Oxspring  
Philip Rosenblum  
INVENTORS

BY *Forest J. Lilly*

ATTORNEY

HYCON MFG. COMPANY

Case No. 57-3

Serial No. 692444

FOCAL PLANE SHUTTER - Sheet 5 of 10

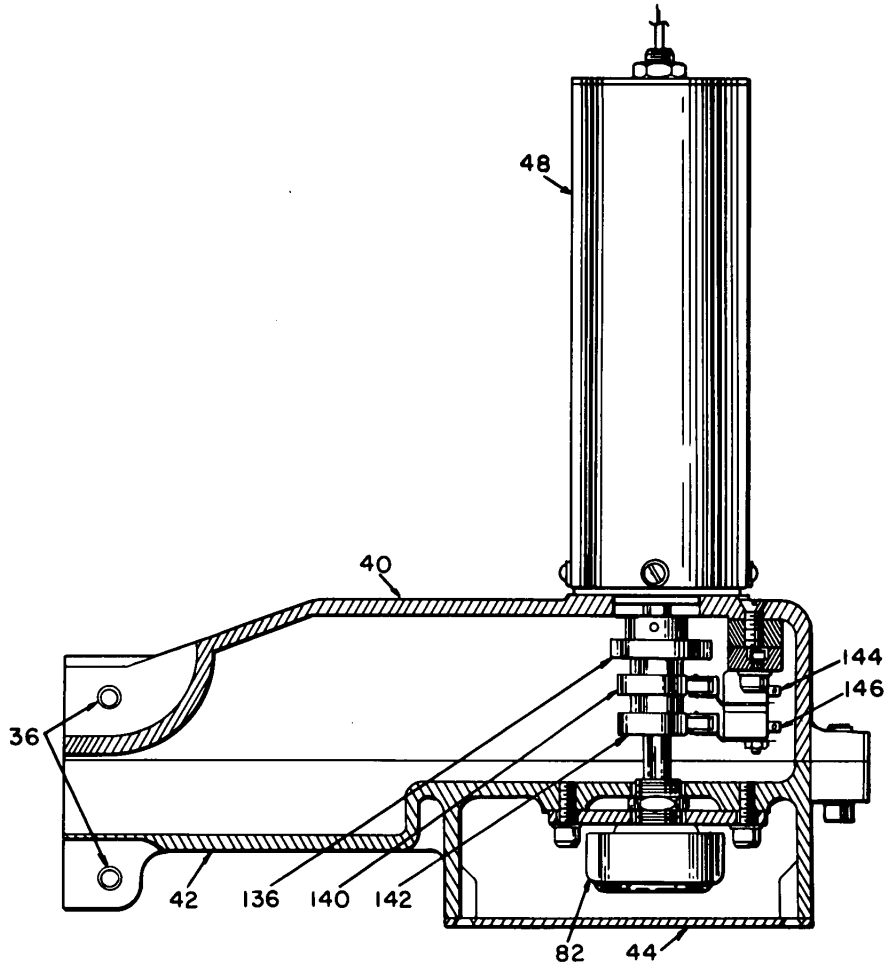


FIG. 7

Ronald E. N. Oxspring  
Philip Rosenblum  
INVENTORS

BY *Frank Hiller*

ATTORNEY

HYCON MFG. COMPANY

Case No. 57-3

Serial No. 692444

FOCAL PLANE SHUTTER - Sheet 6 of 10

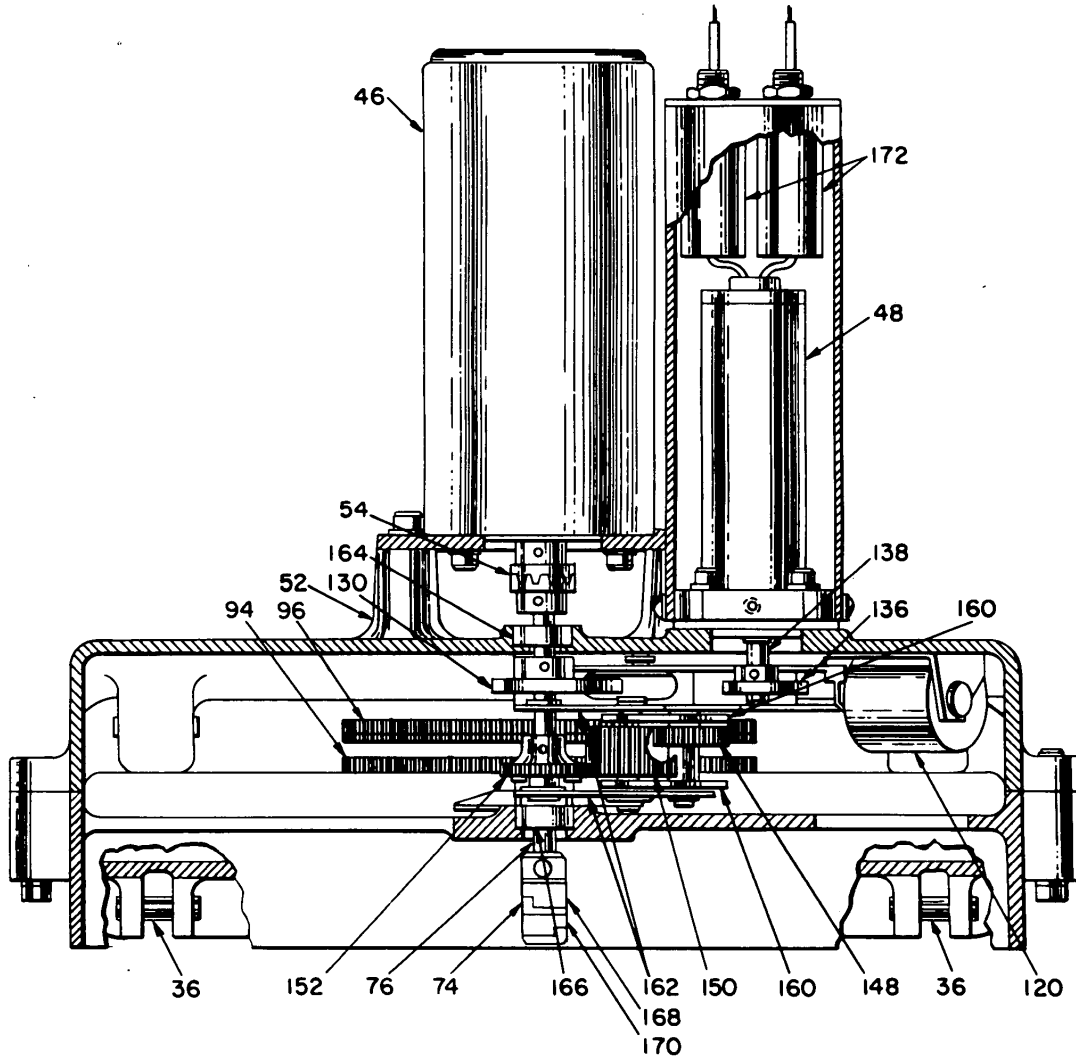


FIG. 8

Ronald E. N. Oxspring  
Philip Rosenblum  
INVENTORS

BY *James J. Eiler*

ATTORNEY

Case No. 57-3

HYCON MFG. COMPANY

Serial No. 692444

FOCAL PLANE SHUTTER - Sheet 7 of 10

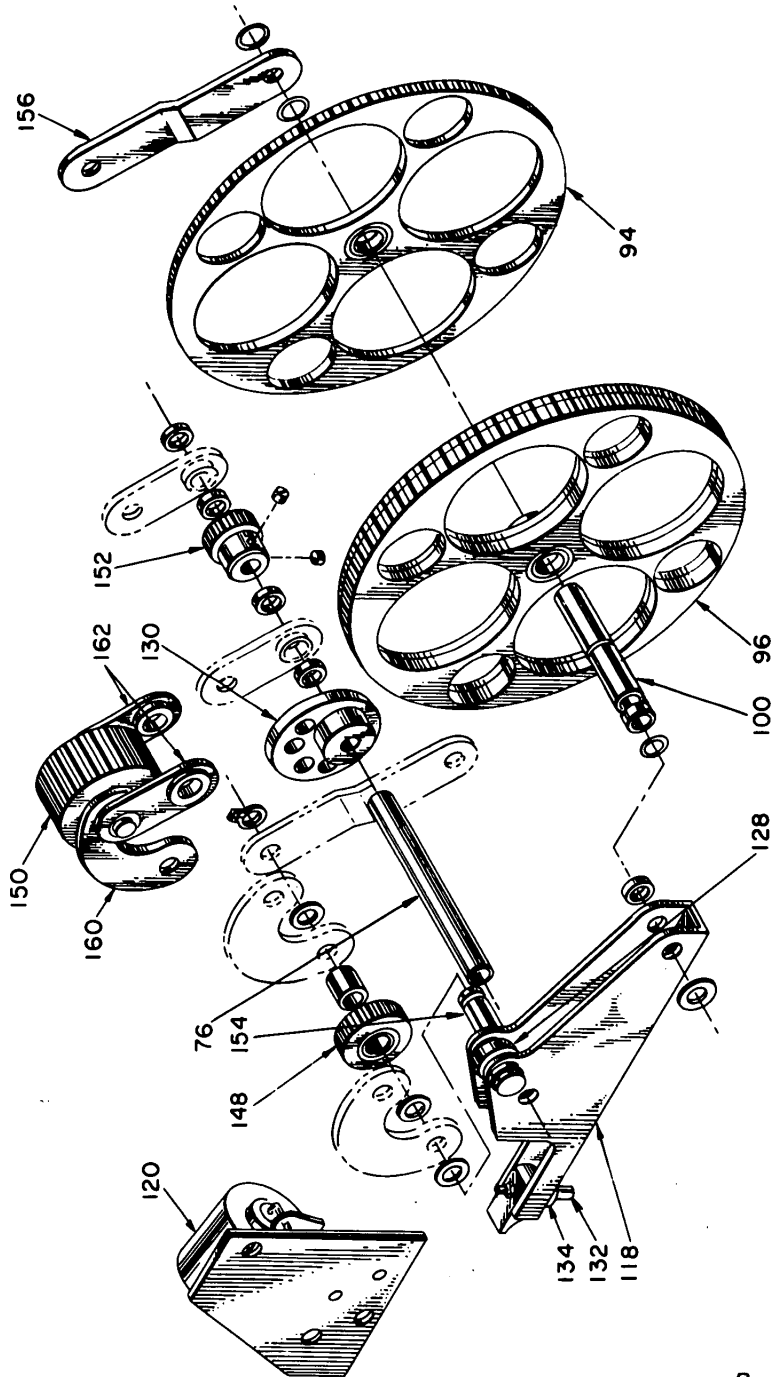


FIG. 9

Ronald E. N. Oxspring  
Philip Rosenblum  
INVENTORS

BY *Forrest Hilley*  
ATTORNEY

HYCON MFG. COMPANY

Case No. 57-3

Serial No. 692444

FOCAL PLANE SHUTTER - Sheet 8 of 10

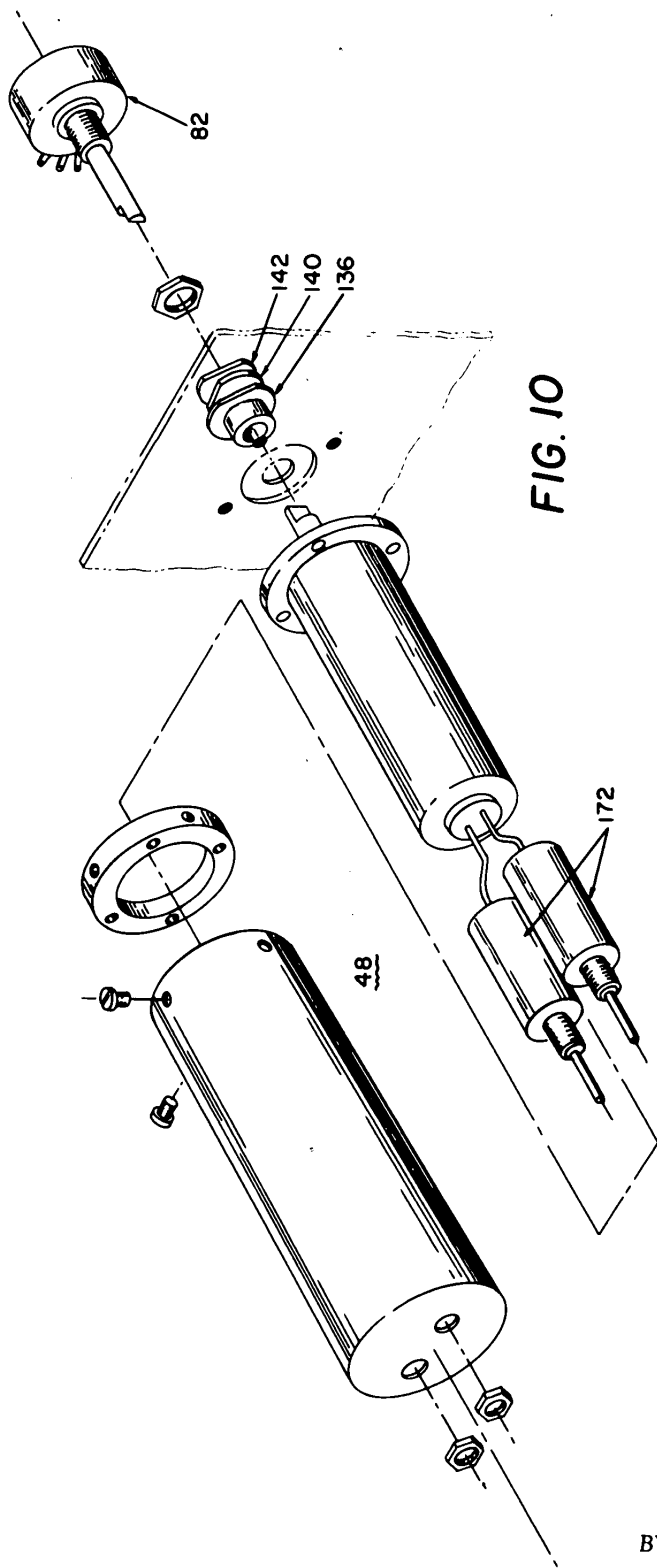


FIG. 10

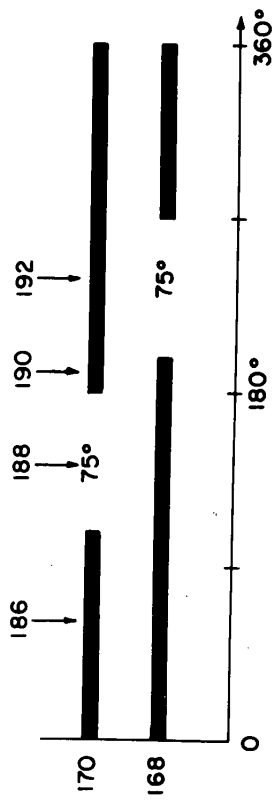


FIG. 11

Ronald E. N. Oxspring  
Philip Rosenblum  
INVENTORS

BY *Forrest Hill*  
ATTORNEY



HYCON MFG. COMPANY

Case No. 57-3

Serial No. 692444

FOCAL PLANE SHUTTER - Sheet 9 of 10

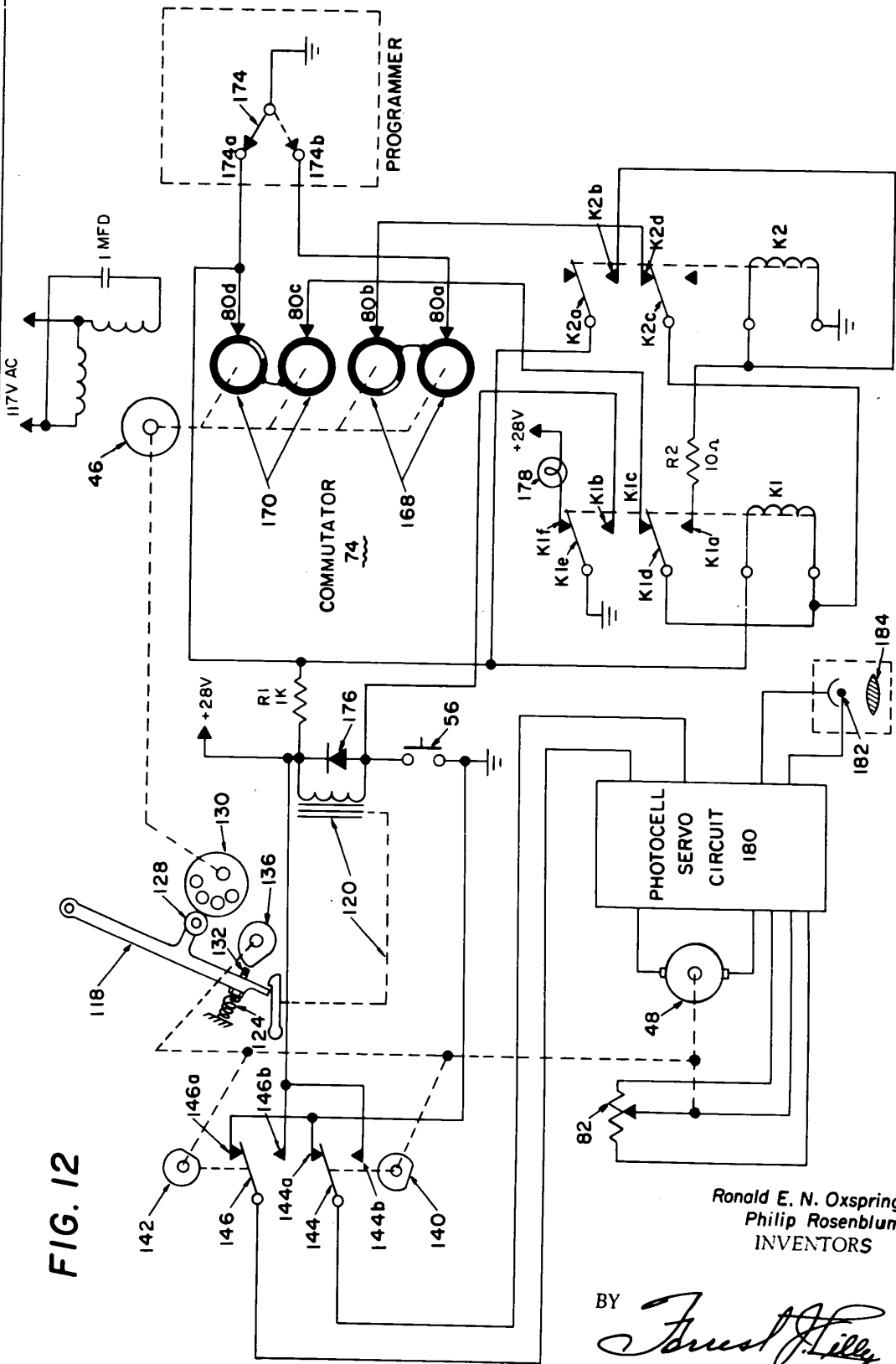


FIG. 12

Ronald E. N. Oxspring  
Philip Rosenblum  
INVENTORS

BY *Forest J. Kelly*  
ATTORNEY

HYCON MFG. COMPANY

Case No. 57-3

Serial No. 692444

FOCAL PLANE SHUTTER - Sheet 10 of 10

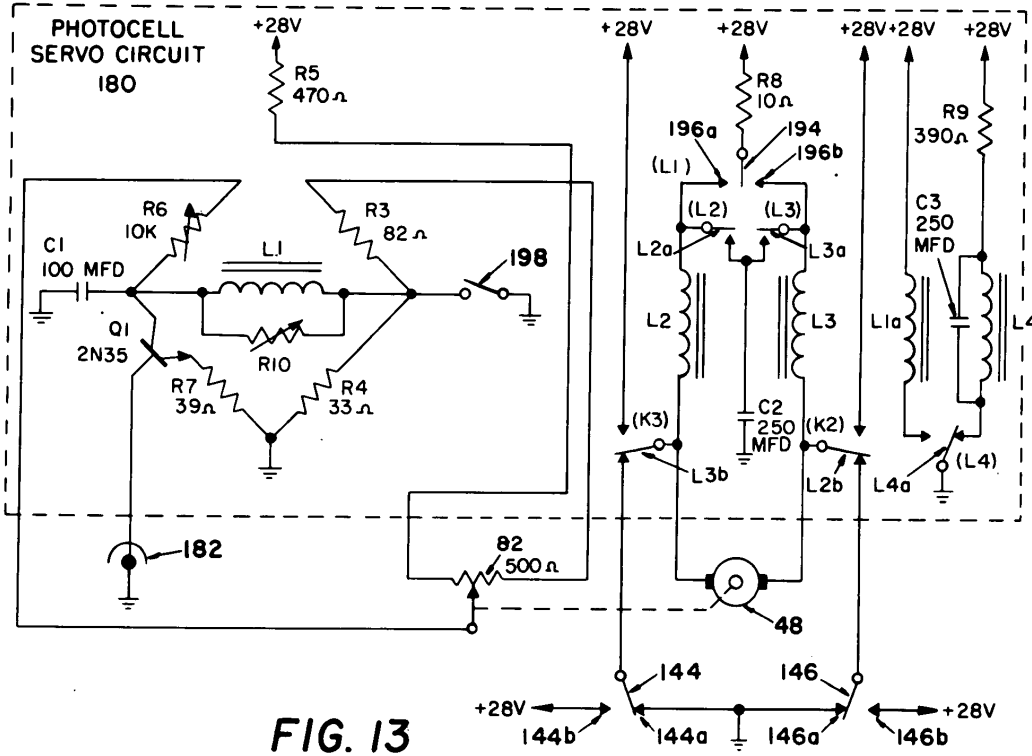


FIG. 13

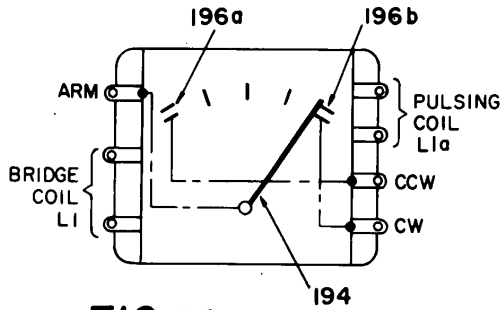


FIG. 14

Ronald E. N. Oxspring  
Philip Rosenblum  
INVENTORS

BY *James H. Wiley*  
ATTORNEY