

✓
YANVAREVA, I.N.

Changes in the electric activity of medulla oblongata and the cerebral cortex during the period of dying, clinical death and resuscitation of the animal. Vest.LGU 14 no.9:87-98 '59. (MIRA 12:5)

(BRAIN)

(ELECTROPHYSIOLOGY)

(DEATH)

USSR / Human and Animal Physiology. The Nervous System. T

Abs Jour: Ref Zhur-Biol., No 9, 1958, 41704.

Author : Yanvareva, I. N.
Inst : Leningrad State University - *Kafedra fiziologii chelovka i zhivotnykh*
Title : Parabiologic Manifestations in the Centers of the
Medulla Oblongata of Animals, in the Course of
Lethal Acute Blood Loss and Resuscitation from It.

Orig Pub: Uch. zap. LGU, 1957, No 222, 116-125.

Abstract: The changes of the respiratory function produced by stimulation of the proximal end of the vagus, and those of the blood pressure produced by electrical stimulation of the region of the carotid sinus were investigated in cats during the process of dying from blood loss and during its reversal (Negovski method). Parabiologic phases were observed in the respiratory and blood pressure

Card 1/2

117

YANVAREVA, I.N.

Influence of negative aerions on the process of dying and on the
outcome of the subsequent revival of an animal. Nerv. sist.
no. 2:110-114 '60. (MIRA 14:4)
(AIR, IONIZED—THERAPEUTIC USE) (DEATH (BIOLOGY))

ACCESSION NR: AT4039715

S/3094/63/074/001/0105/0106

AUTHOR: Yanvareva, I. N.

TITLE: The problem of the use of ionized oxygen for artificial respiration during the resuscitation of animals after clinical death

SOURCE: Leningradskoye obshchestvo yestestvoispytateley. Trudy*, v. 74, no. 1, 1963. Protokoly* zasedaniy i soobshcheniya, 1961/62 g. (Transactions of conferences and reports), 105-106

TOPIC TAGS: artificial respiration, ionized oxygen, air ion, clinical death, thanatology, hypoxia, oxygen deficiency, blood loss, resuscitation

ABSTRACT: Previous work by the author and others, particularly under the guidance of Prof. L. L. Vasil'yev, has shown that inhalation of air ions, especially those carrying a negative charge, has a favorable effect on hypoxia due to fatal blood loss or atmospheric oxygen deficiency. Since negative ions have been reported to increase the activity of intracellular oxidative enzymes, the author investigated the action of ionized oxygen, administered to cats under light ether-chloroform anesthesia during the first few moments of resuscitation after clinical death due to exsanguination. A radioactive generator of the Steinbok type, designed by V. I. Grachev at the Kafedra fiziki I-go Len. med. In-ta (Department of Physics,

Card 1/2

ACCESSION NR: AT4039715

First Leningrad Medical Institute) and adapted for use with a respirator, was used to produce ionized oxygen with an ion concentration of 80,000/cc. Artificial respiration with either unionized, positively ionized or negatively ionized oxygen, combined with arterial infusion of heparinized blood containing glucose and epinephrine (resuscitation technique of V. A. Negovski) was begun 5 minutes after the onset of clinical death and continued until spontaneous respiration was established. The mortality and complete recovery rates in the animals given unionized, positively ionized and negatively ionized oxygen were 53, 53 and 65% mortality and 41.2, 35.3 and 29.4% recovery, respectively. Thus, ionized oxygen did not improve the course of the recovery period in these animals and may have had an unfavorable effect. The author points out, however, that these results may have been due to the time at which the ionized oxygen was administered.

ASSOCIATION: none

SUBMITTED: 00

SUB CODE: LS

DATE ACQ: 12Jun64

NO REF SOV: 000

ENCL: 00

OTHER: 000

Card 2/2

YANVAREVA, I.N.

Use of ionized oxygen for artificial respiration during the
resuscitation of an animal after clinical death. Trudy Len. ob-va
est. 74 no. 1:105-106 '63. (MIRA 17:9)

YANVAREVA, L.F.

Landuse maps of foreign countries. Geod. 1 kart. no.6:62-74
Je '64. (MIRA 17:9)

NIKISHOV, M.I.; YANVAREVA, L.F.

Agricultural cartography of the capitalist countries. Geod. i
kart. no.8:67-72 Ag '64.

(MIRA 17:11)

GRYUNBERG, N.V.; KARPOV, N.S.; NIKISHOV, M.I.; YAKOVLEVA, S.V.; YANVAJEVA, L.F.

[Contents and methods of making the economic maps of foreign countries for scientific reference atlases.] Soderzhanie i metody sostavleniia ekonomicheskikh kart zarubezhnykh stran v nauchno-spravochnykh atlasakh. Moskva, Izd-vo "Nedra." Pt.1. 1964. 122p. (Moscow. Tsentral'nyi nauchno-issledovatel'skii institut geodezii, aeras"emki i kartografii. Trudy, no.150)

(MIRA 18:4)

BYUSHGENS, L.M.; GRYUNBERG, N.V.; NIKISHOV, M.I.; YANVAREVA, N.I.

Compiling complete regional atlases; on the publication of
the atlas of the Armenian S.S.R. Geod. i kart. no.11:57-63
N '62. (MIRA 15:12)

(Armenia--Maps)

YANVAREVA, Z.A., fel'dsher (Kiyev)

Use of penicillin in surgery. Fel'd.i akush. no.3:48-49 Mr '55.
(PENICILLIN) (MLRA 8:5)

YANVAREVA, Z.A., fel'dsher (Kiyev)

Treatment of trophic ulcers of the extremities. Fel'd. i akush.

21 2:40-41 P '56.

(MIRA 9:5)

(LEG--ULCERS)

YANVEL', A.A.

Structure of the Sikhote-Alin meteorite. Izv.AN Kazakh.SSB no.99:46-73 '51.
(MLRA 6:10)
(Meteorites)

YANYAK, V.M.

Production of small twin ampules. Med. prom. 11 no,3:46-49
Mr '57 (MLRA 10:4)

1. Iz opyta raboty Leningradskogo khimiko-farmatsevticheskogo zavoda
no.1.
(GLASS MANUFACTURE)

YANYARKHO, L. G.; GARANINA, V. A.

Chromatographic Analysis

Preparation and use of chromatographic paper in chemical analysis. Apt. delo.,
No. 3, 1952.

Monthly List of Russian Accessions, Library of Congress. November 1952.
UNCLASSIFIED.

ACCESSION NR: AP4042955

S/0102/64/000/004/0037/0048

AUTHOR: Doly*ns'ka, N. O. (Dolinskaya, N. A.) (Kiev); Maralin, V. G. (Kiev); Sobornikov, Yu. P. (Kiev); Yany*k, A. F. (Yanik, A. F.) (Kiev)

TITLE: High-frequency pumping systems in parametron digital computers

SOURCE: Avtomaty*ka, no. 4, 1964, 37-48

TOPIC TAGS: digital computer, parametron, parametron digital computer, industrial digital computer

ABSTRACT: A 3-cycle pumping system is considered which permits synthesizing industrial digital computers with parametrons operating at an excitation frequency 4--30 Mc, with 20--30 oscillations per packet (clock frequencies, 100--500 kc). Hard-closed self-synchronizing and ring 3-phase relaxation-oscillator schemes for 3-cycle semiconductor submodulators are described, as well as mixed and purely semiconductor h-f supply schemes which have a pulse-amplitude pumping

Card 1/2

ACCESSION NR: AP4042955

modulation in the power-amplifier output stage. Schemes of (a) directional switching of C-parameters by pulse-biasing the operating point and (b) transistor switching of the pumping voltage are discussed. Orig. art. has: 8 figures, 8 formulas, and 2 tables.

ASSOCIATION: none

SUBMITTED: 12Feb63

ENCL: 00

SUB CODE: *DP*

NO REF SOV: 003

OTHER: 002

Card 2/2

YANYK, N. V.

"The Healing Of Superficial Defects Of The Cornea Of *Pana Esculenta*. Ukraine Institute Of Experimental Ophthalmology (Director: Distinguished Scientist Prof. V. P. Filatov), Odessa." (p. 967) by Yanyk, N. V.

SO: PREDECESSOR OF JOURNAL OF GENERAL BIOLOGY. (Biologicheskii Zhurnal) Vol. VII 1938, Nos. 5-6

YAKH, N. V.

"A Typical Growth of the Epithelium During Repeated Injury to the Skin." Cand Biol Sci, Ukrainian Experimental Inst of Eye Diseases Imeni Academician V. P. Filatov, Odessa, 1954. (RZhBiol, No 6, Mar 55)

SO: Sum. No. 670, 29 Sep 55--Survey of Scientific and Technical Dissertations Defended at USSR Higher Educational Institutions (15)

YANYK, N.V.

NIKITIN, S.A.; YANYK, N.V.

Vladimir Petrovich Filatov; on his 80th birthday. Izv. AN SSSR. Ser.
biol. no.3:132-136 My-Je '55. (MIRA 8:7)

(BIOGRAPHIES,

Filatov, Vladimir P.)

YANYK, N.V.

Effect of biozenic stimulants on the multiplication of cells in
tissue cultures. Uch.zap. UBIGH 5:275-279 '62. (MIRA 16:11)

*

LEYBUSH, A.G.; LYUDKOVSKAYA, B.G.; GRUZINTSEVA, A.N.; LIKHACHEVA, A.S.;
YANYKINA, Ye.V.; GOL'DMAN, A.M.

Effect of the thermal treatment of a nickel catalyst on the process
of methane conversion. Khim. prom. no. 2:90-96 F '61. (MIRA 14:4)
(Methane) (Catalysts)

23633

S/535/60/000/126/002/002
E140/E435

9,7300

AUTHORS: Danilovich, G.A., Candidate of Technical Sciences
Yanyshchik, A., Engineer

TITLE: Analogue-digital voltage converter

PERIODICAL: Moscow. Aviatsionnyy institut. Trudy. No 126. Moscow,
1960. pp.66-74. Voprosy impul'snoy tekhniki i
elektronnykh i elektronnykh vychislitel'nykh
ustroystv

TEXT: The simplest type of analogue-digital voltage converter is one in which the value of voltage is transformed into a time interval, during which the number of pulses from a stable oscillator are counted. An instrument of this type for three input values has been constructed. The technical characteristics of the instrument are as follows: 1. The output code is generated by pulses of two different amplitudes, each code being preceded by a longer synchronization pulse. 2. The input voltage may vary in the range 0 to 40 V. 3. The conversion error is not greater than 1%, corresponding to 7 binary places. 4. The duration for obtaining the value in a single channel is 860 μ s. 5. The complete cycle for three input voltages does
Card 1/2

23633

Analogue-digital voltage ...

S/535/60/000/126/002/002
E140/E435

X

not exceed 4ms. A study of the noise as a function of the number of binary places shows that the converter is usable up to 11 places (0.05%). There are 6 figures and 1 Soviet reference.

Card 2/2

YANYSHEVA, N. Ya.

YANYSHEVA, N. Ya.: "The effect on the health of the population of contamination of the atmosphere by the waste from an electric power station and a chemical combine." First Moscow Order of Lenin Medical Inst imeni I. M. Sechenov. Moscow, 1956
(Dissertation for the Degree of Candidate in Medical Science)

So: Knizhnaya letopis', No 18, 1956

YANYSREVA, N.Ya.

YANYSREVA, N.Ya., nauchnyy sotrudnik

Effect of air pollution by discharges of an electric station and chemical plant on the health of the population [with summary in English]. Gig. i san., 22 no.8:15-21 Ag '57. (MIRA 10:9)

1. Iz Nauchno-issledovatel'skogo inatituta sanitarii i gigiyeny imeni Erismana Ministerstva zdравookhraneniya RSPSR.

(AIR POLLUTION, eff.

discharges of chem. plant & electric station on health of population)

(PUBLIC HEALTH

eff. of discharges of chem. plant & electric station on health of population)

YANYSHEVA, N.Ya., kand.med.nauk

Data for the estimation of sanitary-protective zones for electric stations using peat. Gig. i san. 24 no.9:6-11 S '59. (MIRA 13:1)

1. Iz Moskovskogo nauchno-issledovatel'skogo instituta sanitarii i gigiyeny imeni F.F. Erismana Ministerstva zdravookhraneniya RSFSR.
(AIR POLLUTION)

GURINOV, B.P., kand.med.nauk; YANYSLEVA, N.Ya., kand.med.nauk

Data for substantiating sanitary protective zones and the degree of ash recovery for electric power stations operating on solid fuel. Gig. i san. 25 no. 12:3-10 D '60. (MIRA 14:2)

1. Iz Moskovskogo nauchno-issledovatel'skogo instituta sanitarii i gigiyeny imeni F.F. Erismana Ministerstva zdravookhraneniya RSFSR.

(SMOKE PREVENTION) (AIR--POLLUTION)

KALYUZHNYI, D.N., prof.; IZDEBSKIY, A.M., kand.med.nauk; YANYSHEVA, N.Ya.,
kand.med.nauk; PAL'GOV, V.I., kand.med.nauk; LAKHNO, Ye.S., kand.
med.nauk

"Handbook on municipal hygiene, Vol.1." Reviewed by D.N.Kaliuzhnyi
and others. Gig. i san. 27 no.3:102-104 Mr '62. (MIRA 15:4)

1. Chlen-korrespondent AMN SSSR (for Kalyuzhnyi).
(PUBLIC HEALTH)

YANYSHEVA, N.Ya.; FEDORENKO, Z.P.; KOSTOVETSKIY, Ya.I.

Content of 3,4 ben~~z~~pyrene in the waste waters of coke and coal
chemicals industries. Koks i khim. no.10:44-45 '63.
(MIRA 16:11)

1. Ukrainskiy institut kommunal'noy gigiyeny.

YANYSHOVA, S.K., otv.red.; SLASHCHEVA, S.K., otv.red.; KRIMER, I.L., otv.red.;
SOBOLJEVA, V.S., otv.red.; SHURAN, Ye.M., otv.red.; FEDOSEYEV, V.A.,
red.; BENEVSKAYA, V.A., red.; SOLOV'YEV, S.N., tekhn.red.

[Cartographic chronicle; organ of the state bibliography of the
U.S.S.R., 1954] Kartograficheskaja letopis'; organ gosudarstvennoi
bibliografii SSSR, 1954. Moskva, Izd-vo Vses.knizhnoi palaty,
1955. 124 p. (MIRA 12:7)

1. Vsesoyuznaya knizhnaya palata.
(Bibliography--Maps)

YANYSHEVA, Tatiana Vasil'yevna

Introduce factory methods in the manufacture of made-to-measure clothing. Mest. prom. i khud. promys. 3 no.8:22-23 Ag '62.
(MIRA 15:10)

1. Glavnyy inzhener Kirovskogo kombinata bytovogo obsluzhivaniya.

(Clothing industry)

YANYSHEVA, V. S. Cand. Chem. Sci.

Dissertation: "Investigation of Poisoning the Vanadium BAV Catalyst with Arsenic Trioxide." Sci Res Inst of Fertilizers and Insectofungicides imeni Ya. L. Samoylov, 11 Apr 47.

SO: Vechernyaya Moskva, Apr, 1947 (Project #17836)

KUPERMAN, M.Ye.; YANY SHEVA, V.S.; KRASIL'NIKOVA, Z.V.

Electron microscope studies. [Trudy] NIUIF no.164:42-43 '59.
(MIRA 15:5)

(Electron microscopy)

YANYSHEVA, V.S.; YUZHNAJA, Ye.V.; CHEPELEVETSKIY, M.L.

Electron microscope study of calcium sulfate films formed at the surface of calcite crystals during the decomposition of the latter by sulfuric acid. Dokl. AN SSSR 141 no.5:1161-1162 (MIRA 14:12)
D '61.

1. Nauchnyy institut po udobreniyam i insektofungisidam im. Ya.V. Samoylova. Predstavleno akademikom S.I. Vol'fkovichem.
(Calcium sulfate) (Electron microscopy)

YANYSHEVA, V. S.; SAZONOVA, Z. A.; KAPILEVICH, S. B.

Determination of aluminum with salicylal o-aminophenol in
red phosphorus. Metod. anal. khim.reak. i prepar. no. 4:57-59
'62. (MIRA 17:5)

1. Nauchno-issledovatel'skiy institut udobreniy i insektofung-
isidov.

YANYSHEVA, V. S.; SAZONOVA, Z. A.

Determination of sulfates in distilled water with salicylfluorone.
Metod. anal. khim,reak. i prepar. no. 4:133-135 '62. (MIRA 17:5)

1. Nauchno-issledovatel'skiy institut po udobreniyam i insekto-fungisidam imeni Samoylova.

YANYSHEVA, V.S.

Fluorescent method for determining trace amounts of sulfur in red phosphorus with the aid of tetramercuriacetate fluorescein. Zav. lab. 30 no.1:23-24 '64. (MIRA 17:9)

1. Nauchnyy institut po udobreniyam i insoktofungisidam.

BALANDIN, A. A., GRIGORYAN, YE. S., YANYSHEVA, Z. S.

"Thermal Decomposition of Formate of Nickel"

Zhur. Obshch, Khim. 10, No. 11, 1940;
Moscow State Univ. Section for Organic
Catalysis, Lab. of Organic Chemistry imeni
Academician N. D., Zelinskiy, Received 31, Dec. 1939

Report U-1627, 11 Jan. 52

YANYSHEVSKIY, A.F.

AFANAS'YEV, Pavel Semenovich, kand. tekhn. nauk,; MANZHOS, F.M., prof., doktor tekhn.nauk, retsenzent,; MASLENKOV, F.H., inzh., retsenzent,; YANYSHEVSKIY, A.F., inzh., red.; PROKOP'YEVA, L.O., red. izd-va,; TIKHANOV, A.Ya, tekhn.red.

[Woodworking machinery] Konstruktsii derevoobrabatyvalushchikh stankov. Moskva, Gos. nauchno-tekhn. izd-vo mashinostroit. lit-ry. Vol. 3. [Installation, repair, and operation] Montazh, remont i ekspluatatsiia. 1958. 566 p. (MIRA 11:12)
(Woodworking machinery)

L 08920-67 INT(1)/FCG GW

ACC NR: AR6025354

SOURCE CODE: UR/0269/66/000/004/0068/0068

AUTHOR: Zosymovych, I. D.; Yanyshevs'kiy, A. T.

TITLE: Analysis of geomagnetic characteristics as a source of data on solar corpuscular flows

SOURCE: Ref. zh. Astronomiya, Abs. 4.51.510

REF SOURCE: Visnyk Kyivsk. un-tu. Ser. astron., no. 6, 1964, 32-35

TOPIC TAGS: sun, solar corpuscular radiation, computer calculation, geomagnetism

ABSTRACT: Stability of a corpuscular flow system can be elucidated by an analysis of magnetic characteristics related to successive rotations of the Sun. Correlation coefficients between diurnal magnetic characteristics were determined for successive 27-day periods. Calculations were made on the Ural-1 digital computer. A program for the determination of correlation coefficients is given. Clear dependence of the correlation coefficients upon heliographic latitude has been found, and the conclusion made about long-term stability of the corpuscular flow structure, particularly during the ebb of solar activity. [Translation of abstract].

SUB CODE: 03, 08

Card 1/1

UDC 523.75:523.165:525.24

L 21411-66 E/T(m)/E/P(w)/E/W(v)/T/E/W(k)/ETC(m)-6 W/W/EM/DJ

ACC NR: AP6009927

SOURCE CODE: UR/0413/66/000/004/0119/0120

INVENTOR: Arinushkin, L. S.; Abramovich, R. B.; Vaynbaum, I. F.; Dumov, V. I.;
Mikhaylov, Yu. N.; Fedorov, V. A.; Fayzutdinov, N. Z.; Yanyshin, Y. V.

ORG: none

TITLE: Aviation turbogenerator. Class 46, No. 179131

SOURCE: Izobreteniya, promyshlennyye obraztsy, tovarnyye znaki, no. 4, 1966,
119-120

TOPIC TAGS: turbogenerator, gas turbine

ABSTRACT: The proposed turbogenerator contains a gas turbine, an electric generator,

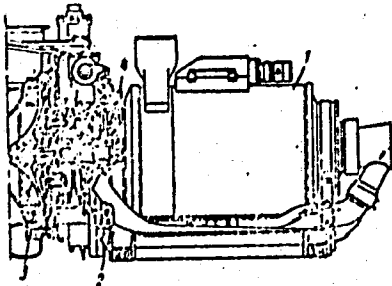


Fig. 1. Turbogenerator

1 - Electrogenerator; 2 - oil heat
exchanger; 3 - fan; 4 - auxiliary fan;
5 - turbine disk.

Card 1/2

UDC: 621.313.322-81:629.13

L 21411-66

ACC NR: AP6009927

1 a speed regulator for the rotor, an oil system to lubricate and cool the rotor bearings, as well as an air cooling system with a centrifugal fan. To increase the service life of the turbogenerator, the oil system contains a heat exchanger through which cooling air is blown by an auxiliary centrifugal fan mounted on the turbine shaft. In variation of this turbogenerator, the air-cooling fan blades are located on the rear side of the turbine disk. The disk and blades are made in one piece (see Fig. 1). Orig. art. has: 1 figure. [TN]

SUB CODE: 21/ SUBM DATE: 27Aug63/ ATD PRESS: 4221

Cord 2/2 ULR

VORONIN, Ivan Vasil'yevich, dotsent; VASIL'YEV, Prokofiy Vasil'yevich, prof.; AMTSYSHKIN, Sergey Petrovich, inzh.; ISHIN, Dmitriy Petrovich, inzh.; KOSTYUKOVICH, Fedor Trofimovich, dotsent; MAKAROV, Grigoriy Yefimovich, inzh.; RADETSKIY, Vitaliy Il'ich, kund.sel'skokhoz.nauk; SABO, Yevgeniy Dyul'yevich, kand.tekhn.nauk; SUDACHKOV, Yevgeniy Yakovlevich, doktor sel'skokhoz.nauk; FEDOROVYKH, Mikhail Leonidovich, assistent; YANYSHKO, Anatoliy Davydovich, assistent; FUKS, Ye.A., red.izd-va; KUZNETSOVA, A.I., tekhn.red.

[Organizing and planning work at forestry enterprises] Organizatsiia i planirovanie proizvodstva na predpriatiiskh lesnogo khoziaistva. Moskva, Goslesbumizdat, 1960. 328 p.

(MIRA 14:2)

(Forest management)

YANYUK, V.S.

The use of syncol in surgical practice. Probl. gemat. i perel.
krovi 5 no. 8:61-62 Ag '60. (MIRA 14:1)
(DEXTRAN) (SURGERY, OPERATIVE)

SOV/124-58-10-11471

Translation from: Referativnyy zhurnal, Mekhanika, 1958, Nr 10, p 110 (USSR)

AUTHORS: Vergun, P.I., Vilutis, A.F., Ivanov, V.N., Pereverzev, A.A.,
Petryagin, I.N., Yanyukhin, G.F.

TITLE: Calculations of Critical Loads and Frequencies of Natural Vibrations
of Parabolic Arches (Vychisleniye kriticheskikh nagruzok i chastot
sobstvennykh kolebaniy parabolicheskikh arok)

PERIODICAL: Sb. stud. nauchn. rabot. Altaysk. s.-kh. in-t, 1957, Nr 6, pp
89-98

ABSTRACT: Bibliographic entry

Card 1/1

YANYUKOV, A. V.

"Study of Gold Distribution Between Dress and Work Load."
Sub 15 May 47, Moscow Inst of Nonferrous Metals and Gold imeni
M. I. Kalinin

Dissertations presented for degrees in science and engineer-
ing in Moscow in 1947.

SO: Sum. No. 457, 18 Apr 55

BALLOD, A.P.; GALANINA, N.I.; PATKOVICH, I.V.; TROSHIN, A.V. [deceased];
YANYUKOVA, A.M.

Using gas-liquid chromatography to analyze the liquid products of
the vapor-phase thermal nitration of propane and the products of
the reaction of methyl radicals with nitrogen peroxide. *Neftekhimiya*
2 no.6:924-927 N-D '62. (MIRA 17:10)

1. Institut neftekhimicheskogo sinteza AN SSSR.

SMIRNOV, V., prepodavatel'; YANYUSHKIN, M.; LYAMIN, Yu., aspirant

On the problem of monetary wages on collective farms. Sots. trud 5
no.12:21-31 D '60. (MIRA 14:6)

1. Omskiy sel'skokhozyaystvennyy institut (for Smirnov). 2. Direktor Severo-Kavkazskogo filiala Vsesoyuznogo nauchno-issledovatel'skogo instituta ekonomiki sel'skogo khozyaystva, g. Rostov-na-Donu (for Yanyushkin). 3. Moskovskiy gosudarstvennyy ekonomicheskiy institut (for Lyamin).

(Collective farms--Income distribution)
(Agricultural credit)

L 08726-67 FSS-2/EWT(1) GW/WR
ACC NR: AT6033997 SOURCE CODE: UR/3227/64/003/000/0098/0103

AUTHOR: Peregudov, F. I.; Marinenko, V. A.; Yanyushkin, V. L. 32

ORG: none

TITLE: Automatic radar station for registering meteor activity

SOURCE: Tomsk, Institut radioelektroniki i elektronnoy tekhniki.
Trudy, v. 3, 1964, 98-103

TOPIC TAGS: radar meteor-observation, radar station, meteorologic radar

ABSTRACT: The authors discuss some elements of the nationwide meteor-watch network which was to have been set up in the USSR to contribute to IGY-IQSY activities. This synchronized network of radar stations was to have operated semiautomatically, in that a detected meteor echo at one location would generate an actuating signal for adjacent stations. Experience with earlier radar meteor probes indicated a need for optimizing radar parameters for best statistical results; for example, wavelengths should be 4--6 m, and pulse repetition rates should not exceed 300/sec. The M-3 type station, developed at the Tomsk Polytechnical Institute to replace the less sensitive P-2M stations, has the

Card 1/3

L 08726-67

ACC NR: AT6033997

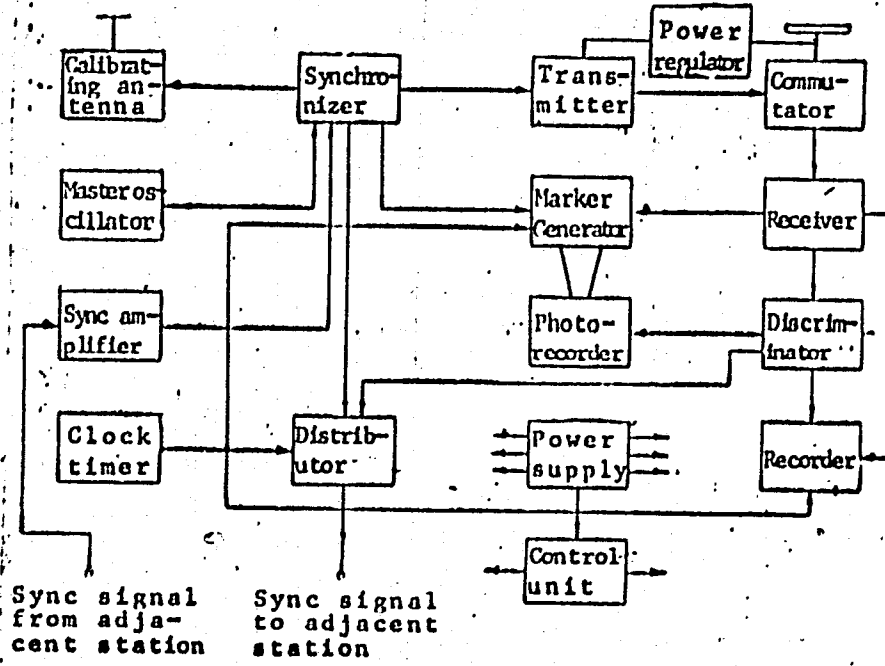


Fig. 1. Meteor radar station

Card 2/3

L 08726-67

ACC NR: AT6033997

following optimal parameters: $\lambda = 4.2$ m; transmitted pulse power, 100 kw; pulse width, 3 μ sec; and pulse repetition rate, 300 pulses/sec in packets of 3 pulses. The antennas used were a narrow-beam wave channel type and a wide-beam folded dipole (see Fig. 1). Meteor echo data from this type of station, compared to those of a station operating at 10 m, showed the same qualitative response in terms of daily and seasonal echo frequency. Orig. art. has: 1 formula, 1 table, and 2 figures. 0

SUB CODE: 17031 SUBM DATE: none/ ORIG REF: 003/

Card 3/3 nst

YANZHUL, I. N.

Tekhnika i organizatsiya mashinizirovannogo ucheta. m., Gosplanizdat (1939).

SO: Mathematics in the USSR, 1917-1947

edited by Kurosh, A.G.,

Markushevich, A.I.,

Rashevskiy, P.K.

Moscow-Leningrad, 1948

YANZHUE, I. N.

"Use of Automatic computers (Punch card machines) in astronomical computations."

Astron. Zhur., 16, No 5, 1939.

SO: U-1518, 23, Oct 1951.

YANZHUL, I.N.

Yanzul, I. N. Calculating automata and their application
to astronomical computation. Uspehi Matem. Nauk
(N.S.) I, no. 5-6(15-16), 27-40 (1946). (Russian)

EE

Source: Mathematical Reviews,

Vol 10 No. 4

USSR :

✓ Purification of cellulose by fractionation of the fibers.
S. L. Tolmud, A. M. Izanyushkina, L. A. Popova, and
L. P. Yanzuzzeva (V. M. Molotov Technol. Inst., Leningrad). *Doklady Akad. Nauk. S.S.S.R.* 92, 837-8 (1953).
The relation between the fiber length and the properties of paper and cardboard made therefrom is of great theoretical and practical interest. The fractionation of the fibers according to their length was studied, and the physicochem. and chem. properties for sulfate cellulose, before and after washing, were det'd. It is shown that removal of fines yields celluloses with increased α -cellulose and decreased tarry material; flex resistance, etc., are also improved (cf. Koskinen, *C.A.* 33, 7102³). Elisabeth Barabash

YAOST, Kh.

Kinetics of the formation of viscose fibers. *Khim.volok.no.5:41-47*
'64. (MIRA 17:10)

1. Nauchno-issledovatel'skiy institut volokna Akademii nauk Germanской
Demokraticeskoy Respubliki, Tel'tov-Zeyekhof.

ABRAMOV, M.M.; YAPAROV, S.A.; IKRAMOV, M.

Comparative chemical characteristics of wild and cultivated
Lagochilus inebrians Bge. Uzb. biol. zhur. no. 6:55-60 '58.
(MIRA 12:1)

1. Uzbekskiy gosudarstvennyy universitet imeni A. Navoi, kafedra
botaniki.

(Uzbekistan--Lagochilus)

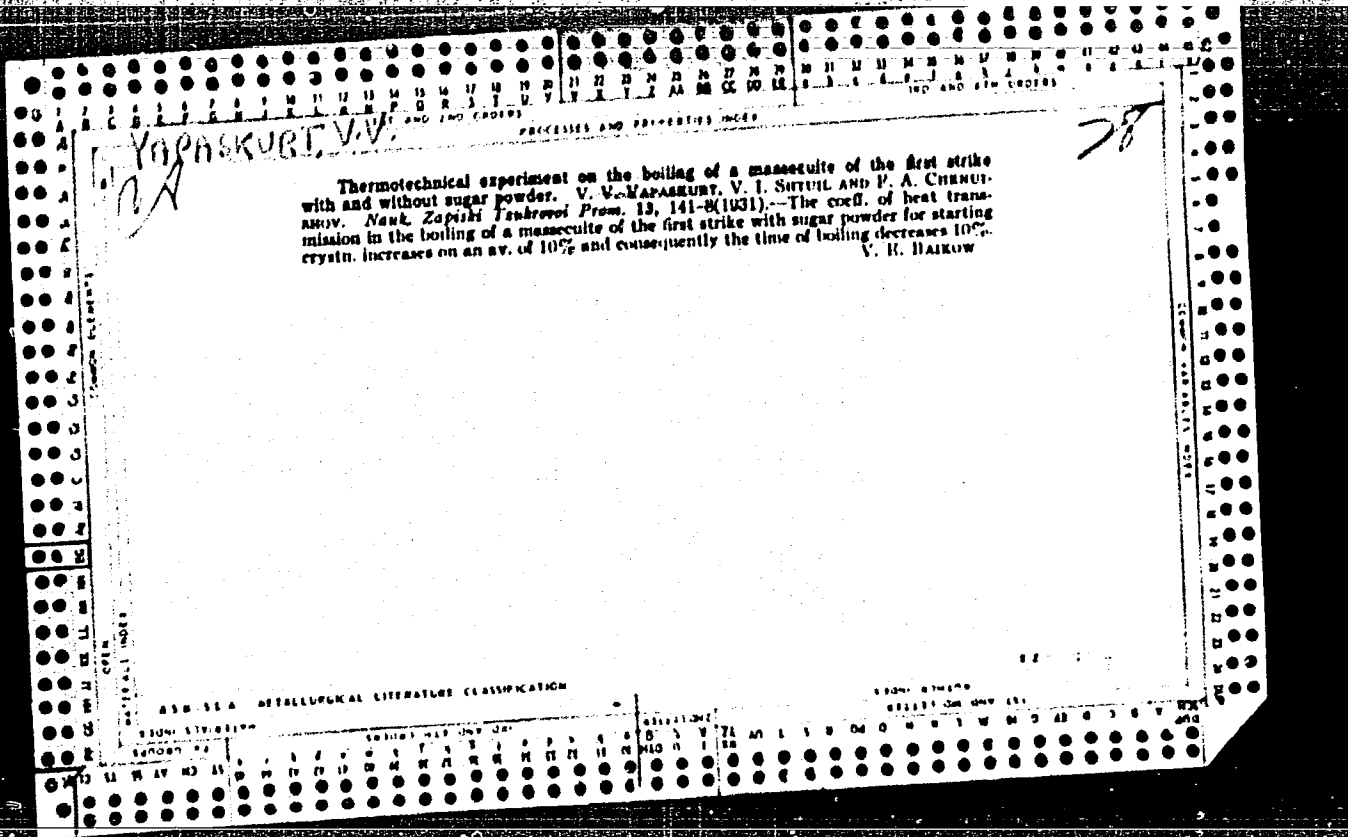
ABRAMOV, M.M.; YAPAROVA, S.A.

Extraction of the main active principle from *Lagochilus*
inebrians. Zhur. prikl. khim. 36 no.11:2554-2556 N '63.
(MIRA 17:1)

1. Samarkandskly kooperativnyy institut TSentrosoyuza.

ZAYTSEV, Yu.A.; FILATOVA, L.I.; MILEYEV, V.S.; ROZANOV, S.B.; KHERASKOVA, T.N.
YAPASKURT, O.V.

Basic characteristics of the Cambrian structure of the Ulutan
(central Kazakhstan). *Biul. MOIP Otd. geol.* 40 no. 6:57-81
N-D '65 (MIRA 19:1)



YAPASKURT, V. V.
CA

Technological processes for obtaining sugar of high
purity in sugar factories. V. V. Yapaskurt. *Sakharmas
Prom.* 1940, No. 12, 9-13; *Chem. Zentr.* 1947, I, 504-5.
A description in detail of 4 processes, whereby the raw
sugar is converted to one of high purity by special treat-
ment of the different centrifugal sirups, keeping the loss of
sugar in the final molasses to a min. J. C. Jurrjens

YAPASKURT, V. V.

C. A. V-48
Jan 10, 1954
Sugar, Starch
and Gums

Technological scheme of refining in conjunction with a
beet sugar factory. N. I. Parfenov (Krasnopresnensk
Group Lab.) and V. V. Yapaskurt. *Sakharnaya Prom.* 27,
No. 1, 29-30(1953). Three most practical schemes for re-
fining beet sugar during and out of crop are described. The
flow sheets are shown. V. E. Balkov

YAPASKURT, V.V.

Increasing and improving sugar production on the basis of new
techniques. Sakh.prom. 28 no.1:6-12 '54. (MIRA 7:3)
(Sugar industry)

YAPASKURT, V.V.

SKORBILIN, Sergey Fedorovich, kandidat tekhnicheskikh nauk; DAMASKINA,
G.B., redaktor; YAPASKURT, V.V., redaktor; SEREGIN, P.V., redaktor;
GOTLIB, E.M., tekhnicheskii redaktor.

[Automatic density gauges] Avtomaticheskie plotnomery. Moskva,
Pishchepromizdat, 1955. 49 p. (MLRA 8:11)
(Specific gravity)

YAPASKURT, V.V.

Make wider application of progressive techniques. Sakh.prom. 29
no.2:1-5 '55. (MLRA 8:6)

1. Glavsakhar.
(Sugar industry)

YAPASKURT, V.V.

PARSHIKOV, M. Ya.; MAKHINYA, M. M.; SILIN, P. M.; YAPASKURT, V. V.; YEPISHIN, A. S.;
SHAKIN, A. N.; ZHIDKOV, A. A.; KHELEMSKIY, M. Z.; KARTASHOV, A. K.; BENIN, G. S.
LEPESHKIN, I. P.; KRASHYUK, G. M.; ZHVIRKO, I. S.; ZELIKMAN, I. P.; KHEYZE, N. V.

Birthday of P.V. Golovin. Sakh.prom. 29 no. 5:7 '55. (MLRA 8:11)
(Golovin, Pavel Vasil'evich, 1880-)

YAPASKURT, V.V.; YEPISHIN, A.S.; SHAKIN, A.N.; SILIN, P.M.; ZHIDKOV, A.A.;
KHELEMSKIY, M.Z.; SHEMYAKIN, P.N.; NOVIKOV, V.A.; POPOV, V.D.; BENIN,
G.S.; NAYDENOV, A.K.; KURBATOVA, V.S.; KARTASHOV, A.K.; YARMOLINSKIY,
A.K.; ZIBOROV, D.K.; VAYSMAN, M.L.; ZAMBROVSKIY, V.A.; SVYATENKO, M.M.

IU111 Markovich Zhvirblianski; obituary. Sakh.prom.29 no.6:48 '55.
(Zhvirblianski, IU111 Markovich, 1894-1955) (MIRA 9:1)

YAPASKURT, V.V.

Speed up the processing of beets and increase the sugar production
at sugar factories of the Ukraine. Sakh.prom. 30 no.7:1-4 J1 '56.
(MLRA 9:11)

1. Ministerstvo promyshlennosti prodovol'stvennykh tovarov USSR.
(Ukraine--Sugar industry)

YAPASKURT, V.V.

~~Initial steps in the work of the Economic Council of the~~
Vinnitsa Economic Administrative Region. Sakh.prom. 31 (MIRA 10:8)
no.8:3-6 Ag '57.

1. Predsedatel' Vinnitskogo sovnarkhoza.
(Vinnitsa Economic Region)

YAPASKURT, V.V.

Sugar industry of the Vinnitsa Economic Region in 1959-1965.
Sakh.prom. 33 no.3:1-5 Mr '59. (MIRA 12:4)

1. Vinnitskiy sovnarkhoz.
(Vinnitsa Province--Sugar industry)

KRIVONOS, P.F.; YAPASKURT, V.V.

New developments in the organization of freight and commercial operations of railroads. Zhel.dor.transp. 42 no.5:23-27 My '60. (MIRA 13:9)

1. Nachal'nik Yugo-Zapadnoy dorogi (for Krivonos). 2. Predsedatel' Vinnitskogo sovnarkhoza (for Yapaskurt). (Railroads--Management)

ZOTOV, V.P.; MAKHINYA, M.M.; PARSHIKOV, M.Ya.; GAVRILOV, A.N.; SILIN, P.M.;
GOLOVIN, P.V.; KHEYZE, N.V.; BUZANOV, I.F.; KHELEMSKIY, M.Z.;
YAPASKURT, V.V.; SHARKO, A.P.; SANOV, N.M.; LITVAK, I.M.; IVANOV,
S.Z.; LEPESHKIN, I.P.; KLEYMAN, B.M.; YEPISHIN, A.S.; GOLUB, S.I.;
GERASIMOV, S.I.; GEUBE, V.R.; PASHKOVSKIY, F.M.; LITVINOV, Ye.V.;
BENIN, G.S.; IVANOV, P.Ya.; VINOGRADOV, N.V.; PONOMARENKO, A.P.;
ZHIDKOV, A.A.; KOVAL', Ye.T.; KARTASHOV, A.K.; NOVIKOV, V.A.

Sixtieth birthday of A.N.Shakin, Director of the Central
Scientific Research Institute of the Sugar Industry. Sakh.
prom. 35 no.7:33 JI '61. (MIRA 14:7)
(Shakin, Anatolii Nikitovich, 1901-)
(Sugar industry)

S/0046/64/010/001/0054/0059

ACCESSION NR: AP4025730

AUTHORS: Ilgunas, V.; Kubilyunene, O.; Yapertas, A.

TITLE: Precision interferometer for measuring ultrasound velocities in fluids in the frequency range 1 - 12 megacycles.

SOURCE: Akusticheskiy zhurnal, v. 10, no. 1, 1964, 54-59

TOPIC TAGS: interferometer, ultrasound velocity, crystal diameter, quartz crystal, reflector diameter, Pirs interferometer, impulse method, standing plane wave

ABSTRACT: The accuracy of velocity measurement by the described interferometer is $\pm 10^{-2}$ percent. The authors give the dependence of the measured ultrasound velocity in water on the ratio of the diameter of the crystal to the length of a sound wave in water, and also on the ratio of the reflector diameter to the wave length. They describe an interferometer of variable length, of Pirs type, with the ordinary indication (with the help of a pointer or a recording measuring device), which in accuracy not only exceeds that of an interferometer with the noted complicated means of indication but gives results close to the most perfect impulse method. Generally an interferometer is used in the presence of rather strict standing plane

Card 1/2

ACCESSION NR: AP4025730

S/0046/64/010/001/0054/0059

AUTHORS: Ilgunas, V.; Kubilyunene, O.; Yapertas, A.

TITLE: Precision interferometer for measuring ultrasound velocities in fluids in the frequency range 1 - 12 megacycles.

SOURCE: Akusticheskiy zhurnal, v. 10, no. 1, 1964, 54-59

TOPIC TAGS: interferometer, ultrasound velocity, crystal diameter, quartz crystal, reflector diameter, Pirs interferometer, impulse method, standing plane wave

ABSTRACT: The accuracy of velocity measurement by the described interferometer is $\pm 10^{-2}$ percent. The authors give the dependence of the measured ultrasound velocity in water on the ratio of the diameter of the crystal to the length of a sound wave in water, and also on the ratio of the reflector diameter to the wave length. They describe an interferometer of variable length, of Pirs type, with the ordinary indication (with the help of a pointer or a recording measuring device), which in accuracy not only exceeds that of an interferometer with the noted complicated means of indication but gives results close to the most perfect impulse method. Generally an interferometer is used in the presence of rather strict standing plane

Card 1/2

YAPEYEV, A.S., aspirant

Incidence of dental caries in workers of the sulfuric acid and sulfate shops of the Bondyug Chemical Plant. Vop. obshchei stom. 17:138-139 '64.

Effect of vapors of inorganic acids on the state of teeth. Ibid.:140-142

State of the mucous membrane of the oral cavity in workers of the chemical industry. Ibid.:143-144 (MIRA 18:11)

1. YAPIDUS, V.I.,
2. USSR (600)
4. Hydraulic Machinery
7. Study of the character of the flowing stream in the revolving wheels of hydraulic machines. Vest.mash. No. 1 1953

9. Monthly List of Russian Accessions, Library of Congress, April 1953, Uncl.

YAFISHIN, A.S.

Information on sugar manufacture and consumption in France. Pakh.prom.
37 no.2:69(149) F '63. (MIRA 16:5)
(France--Sugar industry)

YAPOL'SKIY, I., inzh.

Mobile mortar mixer. Zhil. stroi. no.11:17 N '60. (MIRA 13:11)
(Mixing machinery)

YAPOL'SKIY, I. V.

Technology

Construction work. Moskva, Izd-vo Ministerstva rechnogo flota SSSR, 1951.

9. Monthly List of Russian Accessions, Library of Congress, April ² 1953. Unclassified.

"APPROVED FOR RELEASE: 09/01/2001

CIA-RDP86-00513R001962120011-8

APPROVED FOR RELEASE: 09/01/2001

CIA-RDP86-00513R001962120011-8"

YAPPA, Yu. A.

Functional Analysis

Dissertation: "The Schroedinger Form of Relativistically Invariant Equations for Elementary Particles and Several Questions of Their Physical Interpretation." Cand Phys-Math Sci, Leningrad State U, Leningrad, 1953. (Referativnyy Zhurnal -- Matematika Moscow, Mar 54).

SO: SUM 213, 20 Sep 1954

"APPROVED FOR RELEASE: 09/01/2001

CIA-RDP86-00513R001962120011-8

APPROVED FOR RELEASE: 09/01/2001

CIA-RDP86-00513R001962120011-8"

YAPPA, Yu. A.

USSR/Nuclear Physics - Particle theory

Card 1/1 Pub. 146-19/21

Author : Yappa, Yu. A.

Title : Concerning V. I. Karpman's article "Problem of the connection between the method of regularization and the theory of particles with arbitrary spin" (DAN SSSR, 89, 257, 1953)

Periodical : Zhur. eksp. i teor. fiz. 28, 123-124, January 1955

Abstract : Karpman's work was devoted to a criticism of the writer's note entitled "Connection between the theory of regularization and the theory of particles with arbitrary spin" (Yu. A. Yappa, DAN SSSR, 86, 51, 1952). Karpman asserted that the writer's results were in error. In the present letter the writer has as his aim to show that Karpman's assertion is mainly a consequence of misunderstanding.

Institution: Leningrad State University

Submitted : January 23, 1954

YAPPA, Yu. A.

GRIBOVA, M.P., tekhnicheskiy redaktor; YAPPA, Yu. A., redaktor; KOMAR, A.P.,
otvetstvennyy redaktor, professor; POPOV, R. Yu, redaktor.

Classification of elementary particles [translations and surveys
of foreign periodical literature]. Problemy sovremennoi fiziki 8
no. 11:1-173 '56. (MLRA 10:1)
(Particles, Elementary)

SOV/54-58-4-17/18

24(5)

AUTHOR:

Yappa, Yu. A.

TITLE:

On the Method of the Functional in the Quantum Field Theory
(K metodu funktsionalov v kvantovoy teorii polya). Scalar Fields
(Skalyarnoye pole)

PERIODICAL:

Vestnik Leningradskogo universiteta. Seriya fiziki i khimii,
1958, Nr 4, pp 172-181 (USSR)

ABSTRACT:

The basis of the present investigation is a complex function $\varphi(s)$ which is scalar with respect to the Lorentz transformations and which describes the spatial field distribution; s denotes the vector in the space of coordinates \vec{x} or \vec{k} or in the space of impulse. The equation of motion and the theorems of conservation of the field must be satisfied in $\varphi(s)$. For the quantum-theoretical investigation at first the field is regarded as a system with continuously distributed degrees of freedom into which the wave function $\Omega(\varphi)$ is introduced in this case as a functional determined in the Hilbert space of the field function $\varphi(s)$. It is necessary that the functional permits the general factor of probability. Yet, this method proves to be mathematically impracticable as the equations are unsolvable for the functional.

Card 1/2

SOV/54-58-4-17/18

On the Method of the Functional in the Quantum Field Theory. Scalar Fields

A second way was therefore chosen, for the first time found by V. A. Fok (Refs 2,3). The field is regarded as a system with a variable number of particles and described by the infinite columns of the function $\{\psi_0, \psi_1(x), \psi_2(x_1, x_2), \dots\}$, $\psi_0 = \text{const.}$

All columns together clearly correspond to the direct sum of the Hilbert spaces and are themselves a Hilbert space. Fok found the concrete existence of this space for a whole-numbered spin by introducing the functional $\Omega(\bar{\varphi})$ (Ref 3). In this paper the conditions are investigated which according to the method by Fok are to be satisfied by the wave function of the field $\Omega(\varphi)$. By means of a theorem of the non-linear functional analysis it was proved that the necessary and sufficient conditions for the representation of the scalar complex wave function in form of the Fok functional in a certain domain of the Hilbert space are the local boundedness and weak differentiability within this domain. Finally, particular emphasis is laid upon the fact that the functional corresponds to the corpuscular conception. There are 11 references, 9 of which are Soviet.

Card 2/2

LAZARENKO, Yu.P.; YAPPA, Yu.A.

Analytic properties of a diagram with two closed circuits. Vest
LGU 16 no.22:26-34 '61. (MIRA 14:11)

(Geometry, Analytic)

DRABKIN, I.A.; YAPPA, Yu.A.

Majorization of Feynman diagrams for processes involving strange
particles. Vest. LGU 17 no.4:28-36 '62. (MIRA 15:3)
(Quantum field theory)

S/054/62/000/001/004/011
B102/B112

AUTHORS: Drabkin, I. A., Yappa, Yu. A.

TITLE: Majorization of Feynman graphs for processes involving strange particles

PERIODICAL: Leningrad. Universitet. Vestnik. Seriya fiziki i khimii, no. 1, 1962, 28 - 36

TEXT: The majorization technique proposed by Y. Nambu (Nuovo Cim., 2, 610, 1958) and K. Simanzik (Progr. Theor. Phys., 20, 690, 1959) is completed by two additional lemmas which simplify the majorization of Feynman graphs. These lemmas read as follows: (1) The region of analyticity of the matrix element of the graph is not changed by replacing the line between two vertices by several lines, if their total mass equals the mass of the original line, or, in the inverse case, by replacing several lines by one of the same total mass. (2) The majorization G' of an initial graph G is achieved by dividing one vertex of G into several vertices. Both lemmas are proved. The results are applied to Feynman graphs for processes involving strange particles. Professor A. A. Logunov is thanked

Card 1/2

Majorization of Feynman graphs for ...

S/054/62/000/001/004/011
B102/B112

for having proposed the topic, and I. T. Todorov and N. A. Chernikov are thanked for advice. There are 5 figures and 6 references: 2 Soviet and 4 non-Soviet. The two references to English-language publications read as follows: K. Simanzik. Progr. Theor. Phys., 20, 690, 1959; L. B. Okun, Rudik. Nucl. Phys., 15, 261, 1960. ✓

SUBMITTED: July 10, 1961

Card 2/2

S/054/65/004/001/004/022
B102/B186

AUTHOR: Yappa, Yu. A.

TITLE: Some aspects of the mathematical structure of quantum theory

PERIODICAL: Leningrad. Universitet. Vestnik. Seriya fiziki i khimii, no. 1, 1963, 34-40

TEXT: The author presents a philosophic-mathematical discussion of the principles of correspondence between the mathematical theory of normalized rings and a physico-philosophic interpretation of quantum theory. The discussions are based on Fok's Filosofskiye voprosy sovremennoy fiziki (Philosophic problems in modern physics) 1959, and the related papers by Schwinger, Dirac and Neumann (cf. e.g. Schwinger, Proc. nat. acad. USA, 46, 257-265, 1960). It is shown that physical sense can be adjoined to certain mathematical concepts defined in the theory of rings on the basis of Fok's interpretation. In this case the quantum theory might be based on a generalized concept of the functional $f(x)$ of the mathematical expectation value. $f(x)$ related to the hermitean elements

Card 1/2

Some aspects of the mathematical ...

S/054/63/004/001/004/022
B102/B186

can be considered as a construction of the functions given on the ring C :
 $f(x)$ is linear, $f(x^*x) \geq 0$ and $f(e) = 1$, when e is the element of C . With

$f(x) = \int_M d\mu_f = \mu_f(M) = 1$, the normalization of the functional $f(x)$ leads

to the definition of the space M as a space with probability measure.

SUBMITTED: January 15, 1962

Card 2/2

YAPPO, Tat'yana Aleksandrovna; YUKHNOVSKAYA, S.I., red.

[Training children in hygienic habits] Vospitanie gi-
gienicheskikh navykov u detei. Moskva, Meditsina, 1965.
29 p. (MIRA 18:9)

YAPPU, G. B.

"Determining the Filtration Coefficient From the Haulage of a Bored Well in the Case of an Abrupt Fall Close to the Vertical of the Aquifer Stratum".
Energ. in-ta AN Az SSR, No 12, pp 194-203, 1954. (Azerbaydzhani resume)

An example indicating that, for increase in the number of wells in series above four, the value of the filtration coefficient varies but slightly. If in the aquifer stratum there is an infinite series of interacting wells, then the vertical planes perpendicular to this series and passing through the middle between neighboring wells are surfaces of separation which one can assume to be boundaries of the abruptly falling aquifer stratum. (RZhMekh, No 10, 1955)

SO: Sum No 884, 9 Apr 1956

YAPFU, G.B.

Mechanical characteristics of volcanic ash from the Kura Valley.
Dokl.AN Azerb.SSR 11 no.5:341-344 '55. (MIRA 9:6)

1.Predstavleno deystvitel'nym chlenom AN Azerbaydzhanskoy SSR
M.A.Kashkayem.
(Kura Valley--Volcanic ash, tuff, etc.)

YAPPU, G.B.

Transfer of hydrostatic pressure in contacts between particles of
clayey soil. Izv.AN Azerb.SSR no.3:27-42 Mr '56. (MLRA 9:9)

(Soil percolation)

YAPFU, G.B., starshiy nauchnyy sotrudnik, kandidat tekhnicheskikh nauk.

Calculating the pressure of soft soils on the flat ceilings of
underground excavations. Izv.VNIIG no.33:51-60 '47. (MLRA 10:2)
(Soil mechanics)

BOROVYY, A.A., red.; GIRSHKAN, I.A., red.; YAPPU, G.B., red.;
SOBOLEVA, Ye.M., tekhn. red.

[Design and construction of large dams; materials of the sixth International Congress on Large Dams] Proektirovanie i stroitel'stvo bol'shikh plotin; po materialam VI Mezhdunarodnogo kongressa po bol'shim plotinam. Sbornik statei pod obshchei red. A.A.Borovogo. Moskva, Gosenergoizdat, 1962. 559 p. (MIRA 16:5)

1. International Congress on Large Dams. 6th. New York, 1958. (Dams--Design and construction)