

VACZY, L.

Pathological nomenclature of preblastomatoses of the cervix uteri.

Neoplasma 9 no.6:612-615 '62.

(CERVIX NEOPLASMS)

(NOMENCLATURE)

BRENNER, Ferenc, dr.; KUP, Gyula, dr.; VACZY, Laszlo, dr.

Huperacute hemolytic anemia with extensive hemoglobinemia related to septic abortion caused by Clostridium welchii. Magy. noorv. lap. 26 no.3:148-152 My '63.

1. Sopron Varosi Tanacs Korhaz Szuleszeti Osztalyanak, Verellato Allomasanak es Korbonctani Osztalyanak kozlemenye. (Igazgato: Eper Tivadar dr.).

(CLOSTRIDIUM PERFRINGENS) (ABORTION, SEPTIC) (HEMOGLOBINS)
(HEMOGLOBINURIA) (ANEMIA, HEMOLYTIC)

"APPROVED FOR RELEASE: 08/31/2001

CIA-RDP86-00513R001858320014-9

APPROVED FOR RELEASE: 08/31/2001

CIA-RDP86-00513R001858320014-9"

29496
S/O 35/E1/000/009/026/036
A001/A101

3,2410 (1559 only)

3,2430 (1482 only)

AUTHORS: Kamiyva, I., Vada, M.

TITLE: Bursts of cosmic rays and radio emission of the Sun

PERIODICAL: Referativnyy zhurnal. Astronomiya i Geodeziya, no. 9, 1961, 50-51, abstract 9A459 ("Tr. Mezhdunar. konferentsii po kosmich. lucham., 1959, v. 4", Moscow, AN SSSR, 1960, 201 - 203)

TEXT: The data on cosmic rays during the IGY obtained with neutron monitors were compared with the data on bursts of IV-type radio emission accompanying solar flares. The results show that a strong decrease in intensity of cosmic rays of the Forbush type is explicitly related to the presence of a burst of IV-type radio emission. Bursts of solar radio emission of type IV are usually explained by synchronous radiation of electrons, which means that in the coronal region exist simultaneously a rather intense magnetic field and high-energy electrons. The authors conclude thereof that during flares accompanied by bursts of IV-type radio emission, corpuscular streams carrying magnetic fields are emitted, which can explain the observed variations in the intensity of cosmic rays. A dependence of storms of cosmic radiation on heliographic

Card 1/2

29196

S/035/61/000/009/026/036

A001/A101

Bursts of cosmic rays and radio emission of the Sun

longitude of appearance of solar flares was also investigated. It turned out that the magnitude of a storm of cosmic radiation is not very sensitive to the location of flares; therefore, corpuscular streams with frozen-in fields should, probably, be emitted over a wide solid angle (in order to enable a cloud emitted even from the disk edge to cause the change in intensity of cosmic rays observed on Earth). There are 6 references.

I. Zhulin

X

[Abstracter's note: Complete translation]

Card 2/2

Translation from: Referativnyy zhurnal. Metallurgiya, 1958, Nr 12, p 2 (USSR) SOV/137-58-12-23902

AUTHORS: Gotsiridze, G., Vadachkoria, V., Loladze, T.

TITLE: A Distinguished Georgian Scientist (75th Birthday of Prof. G. Gedevanishvili [Vydayushchiysya uchenyy Gruzii (75 let so dnya rozheniya prof. G. Gedevanishvili)] in Georgian

PERIODICAL: Matsniyereba da tekhnika, 1958, Nr 3, pp 7-9

ABSTRACT: Bibliographic entry

Card 1/1

VADACHKORIA, G. A., ¹⁹⁵⁷ ~~master~~ ¹⁹⁵⁷ ~~Med Sci~~ —(diss) "Structural changes of the cortic nerve apparatus in connection with the individual development of the organism, atherosclerosis of man and experimental atherosclerosis." Tbilisi, Georgian Med Publish House, 1957, 18 pp. (Tbilisi State Med Inst), 200 copies
(KL, No 40, 1957, p.95)

VADACHKORIYA, G.A.

Squamous cell carcinoma of Highmore's antrum. Trudy Inst. eksp.
morf. AN Gruz. SSR 8:223-233 '60. (MIRA 14:10)
(NOSE, ACCESSORY SINUSES OF—CANCER)

ZHGENTI, V.K.; GABUNIYA, U.A.; VADACHKORIYA, G.A.

Occurrence and development of mammary cancer in white mice
of the A line highly susceptible to cancer. Trudy Inst. eksp.
morf. AN Gruz. SSR 10:189-196'62. (MIRA 16:6)
(BREAST—CANCER)

VADACHKORIYA, G.A.

Structural state of the nerve apparatuses of human coronary arteries
in atherosclerosis. Trudy Inst. eksp. morf. AN Gruz. SSR 11:65-67
'63. (MIRA 17:11)

1. Institut eksperimental'noy morfologii imeni Nats'kv li AN GruzSSR.

ZHGENTI, V.K.; GABUNIYA, U.A.; VADACHKORIYA, G.A.; GACHECHILADZE,
L.B.

[Study of the fine cytoarchitectonics of the cortex of the
frontal portion of the cerebrum in phylogenesis] [K izucheniiu
tonkoi tsitoarkhitektoniki kory lobnoi oblasti bol'shikh po-
lusharii golovnoy mozga v filogeneze. Tbilisi] 1963. 104 p.
[In Georgian] (MIRA 17:4)

VADACHKORIYA, G.A.; KANDELAKI, D., red.

[Structural changes in some endocrine glands in experimental atherosclerosis] Strukturnye izmeneniia nekotorykh endokrinnykh zhelez pri eksperimental'nom ateroskleroze. Tbilisi, Sabchota Sakartvelo, 1964. 142 p.

(MIRA 18:8)

VADACHKORIYA, L.

Georgian Research Institute for Animal Husbandry and Veterinary
Medicine. Trudy VIEV 23:352-354 '59. (MIRA 13:10)
(Georgia--Veterinary research)

VADACHKORIYA, M.K.; KALININA, R.V. (Tbilisi)

Experience in treating bacillary dysentery by homologous blood
transfusion in combination with other drugs. Sov.med. 21
no.11:125-126 N 157. (MIRA 11:3)

(BLOOD TRANSFUSION, in various dis.
dysentery, bacillary, eff. on reaction to drug ther.)
(DYSENTERY, BACILLARY, ther.
blood transfusion, eff. on reaction to drug ther.)

VADACHKORIYA, M.K.; KALININA, R.V. (Tbilisi)

Changes in the blood in various forms of bacterial dysentery.
Klin.med. 36 no.3:135-138 Mr '58. (MIRA 11:4)
(DYSENTERY, BACILLARY, blood in
changes in blood picture (Rus))

VADACHKORIYA, M.K., podpolkovnik meditsinskoy sluzhby

Cardiac form of neurocirculatory dystonia in flying personnel
and problems of medical flying expertise. Voen.-med. zhur.
no.3:60-65 '65. (MIRA 18:11)

VADACHKORIYA, P. G.

COUNTRY : USSR
 CATEGORY : Cultivated Plants - Subtropical. Tropical. M
 No. : 1958, No. 14, 1958, No. 61561
 GROUP : Vadachkoriya, P. G., Vassalomidze, A. M.
 INST. : All-Union Institute of Tea and Subtropical Crops.
 TITLE : Repair of Tea Plantations with Saplings Dressed with Moss.
 ORIG. SUR. : Byul. Vses. n.-i. in-ta chaya i subtrop. kul'tur, 1958,
 No. 4, 3-34
 ABST. : results and reports of the experiment of raising tea
 planting material in a short period by means of sowing
 tea seeds in a lump and wrapping it with moss. The nutri-
 ent soils was prepared as follows: 1 part of turf soil,
 1 part of rotted peat and 1 part of manure; P and K were
 added; the mixture was moistened and dressed with moss. --
 N. N. Myazdrikova

Card: 1/1

VADACHKORIYA, V.I., inzh.; BOKUCHAVA, kand. tekhn. nauk, retsenzent;
BUTANELI, A., kand. tekhn. nauk, dotsent, red.; KATSITADZE, A.,
tekhn. red.

[Investigating the machinability of plastics with cutting tools]
Issledovanie obrabatyvaemosti plastmass rezaniem. Tbilisi, Izd-
vo Gruzinskogo politekhn. in-ta im. V.I.Lenina, 1960. 88 p.
(MIRA 14:5)

(Plastics---Testing)

VADACHKORIYA, V.I.

Optimum temperature for the cutting of plastics. Mashinostroitel'
no.2:32-33 F '62. (MIRA 15:2)
(Plastics cutting)

S/191/62/000/006/008/016
B110/B138

AUTHOR: Vadachkoriya, V. I.

TITLE:

Temperature conditions during the cutting of plastics

PERIODICAL:

Plasticheskiye massy, no. 6, 1962, 27-31

TEXT: The temperature of the contact layer of plastics was investigated for various processing conditions, in order to determine the best temperature for maximum purity of the surface. The temperature was measured (1) by a synthetic thermocouple and (2), by a compound cutter. For the compound cutter, the cutter's surface is made of two different materials, and the emf formed due to the heating of the contact point is measured. The pairs T15K6-VK8 (T15K6-VK8) and P9-KB(R9-KhVG) were used. In (1) (Fig. 1) two holes are drilled, into which textolite bushes are pressed. Rods (2) and (3) are inserted, to which the plates (4) and (5) from the corresponding materials are soldered. The pin (11) holds the rods in place. The plates touch a narrow part of the frontal surface and are insulated by (6), (7) and (10). Since with T15K6-VK8 the emf above

Card 1/3

S/191/62/000/006/008/016
B110/B138

Temperature conditions during...

300°C increases only slightly, R9-KhVG had to be used for accurate measurements. Comparison of the method proposed with a copper-copel thermocouple in a one-piece cutter of steel P-18 (R-18), whose front face was 0.4 mm from the thermocouple point, showed that: (1) the values of the method described are lower by 50-60°C than for the thermocouple; (2) there are different rates of temperature increase as a function of the speed. The temperature dependence $\theta = f(s, v, t)$ between $v = 10-300$ m/min and $s = 0.1-0.6$ mm/rpm was determined. The curves $\theta = f(v)$ and $\theta = f(s)$ showed that (1) the cutting temperature increases faster with cutting speed than with speed of feeding; (2) the filler strongly affects the cutting temperature. Lower cutting temperatures (180-320°C) were obtained for mineral fillers than for wood powder fillers (K-17-2 (K-17-2); K-21-22 (K-21-22): 200-380°C), since mineral fillers increase brittleness and this reduces plastic deformation and hence heat during cutting. The best temperature conditions for cutting are between 160 and 240°C, since polymer decomposition sets in at higher temperatures. When increasing the cutting speed, the purity of the surface reaches a maximum, and then deteriorates due to temperature increase. Optimum values are: 45-50 m/min,

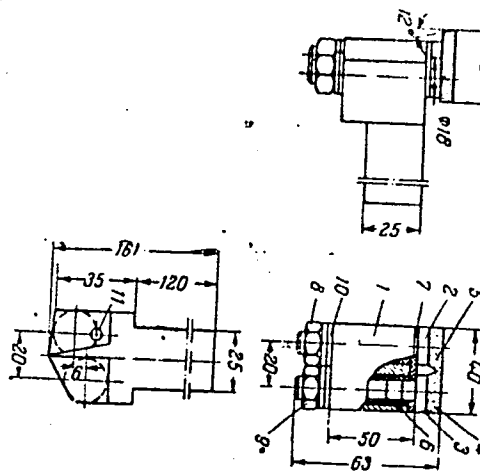
Card 2/3

Temperature conditions during...

S/191/62/000/006/008/016
BP10/B138

rear cutting angle $\alpha = 12^\circ$, cutting depth $t < 1$ mm, front cutting angle $\gamma = 16^\circ$, $\beta = 15^\circ$, T15K6 cutter, width of the chamfer of the cutting edge $r = 1.6-2$ mm. There are 9 figures and 1 table.

Fig.1.: Compound cutter.



Card 3/3

VADACHKORIYA, V.I.

Surface smoothness and cutting temperature resulting from
plastics cutting. Stan.1 instr. 33 no.6:27-29 Je '62.
(MIRA 15:7)

(Plastics cutting)

VADACHKORIYA, V.I.; LOPATIN, Yu.T.

Synthetic construction materials. Mashinostroitel' no.6:
21-23 Je '63. (MIRA 16:7)

(Machinery industry) (Polymers)

VADASHKORIYA, V.I., kand. tekhn. nauk; LOPATIN, Yu.P.

Polyamides as structural materials for machines. Mashino-
stroitel' no. 7s38-41 Ji '64. (MIRA 17:8)

VADACHKORIYA, V.I., kand. tekhn. nauk; LOPATIN, Yu.T., kand. tekhn. nauk

Machine parts made of polymer materials. Mashinostroitel' no.12:
35-37 D '65. (MIRA 18:12)

VADACHKOVSKAYA, G.I.

Iosif Antonovich Aslanishvili. Probl. endok. i gorm. 2 no.3:121-122
My-Je '56. (MLRA 9:10)
(ASLANISHVILI, IOSIF ANTONOVICH, 1891-1956)

25(1), 18(5)
AUTHORS:

RUM/9-59-9-6/46
Cazacu, Iulian, Vădănici, Tiberiu, and Pechete,
Alexandru, Engineers

TITLE:

The Correlation Between the Index of Saturation and
the Volume of Contraction Cavity in Grey Cast Iron

PERIODICAL:

Metalurgia și construcția de mașini, 1959, Nr 9,
pp 763-768 (RUM)

ABSTRACT:

The authors begin their paper by giving the general
equation of the relative volume of the contraction
cavity of Fe-C alloys according to I.A. Nehendzi and
N.G. Ghirsovici [Ref 1] (Equation 1):

$$V_{ret} = a_1(t_m - t_L) + s - 1.5 \cdot (t_s - t_S) \left(1 - \frac{q_1 \sqrt{t_s - t_S}}{2R} \right)$$

where a_1 is the coefficient of contraction of the
liquid metal; t_m the average temperature of the
liquid metal at the beginning of solidification;
 t_L the temperature of the solidification beginning;
 s the contraction of the metal in the process of
solidification; q_1 the coefficient of linear contrac-
tion in solid state (the anteperlitic field); t_S the

Card 1/9

VADANICI, T., ing.; NITA, V., ing.; FECHETE, A., ing.

Methods used for obtaining cast iron with higher physicomechanical characteristics. Metalurgia Rum 17 no.2:88-90 F '65.

1. "Tractorul" Plant, Brasov.

VADASH, Erne

VADAS, E.
[Vadas, Erne]

The future course of photographic art. Sov.foto 18 no.10:17-19
O '58 (MIRA 11:11)

1. Predsedatel' Soyuza vengerskikh fotografov.

(Photography--Exhibitions)

VADAS, T., PETERIFFY, T.

The 1958 work of our wood industry. p. 246

FAIPAR. (Faipari Tudomanyos Egyesulet) Budapest, Hungary, Vol. 9, No. 8 August. 1959

Monthly List of East European Accessions (EEAI) LC, Vol. 8, No. 11, November, 1959.
Uncl.

VADAS, Z.

"Complex Utilization of Flue Gas Heat and Cooling-water Heat for Generation of Electric Power", P. 523, (MAGYAR ENERGIABIZALOM, Vol. 7, No. 11, November 1954, Budapest, Hungary)

SC: Monthly List of East European Accessions (DEAL), IC, Vol. 4, No. 3, March 1955, Uncl.

VADAS, Z.

Electric and heat power production without using classical
fuels; with special reference to questions of using industrial
secondary heat power. P. 145 MAGYAR ENERGIAGAZDASAG Budapest
Vol. 9, no. 4, Apr. 1956

SOURCE: East European Accessions List (EEAL) Library of Congress
Vol. 5, no. 8, August 1956

VADAO, Z.

New viewpoints for planning and operating metallurgic power plants. p.251.
MAGYAR ENERGIAGAZDASAG. Budapest. Vol. 9, no. 7, July 1956.

SOURCE: East European Accessions List (EAL), Library of Congress
Vol. 5, No. 12, December 1976.

VADAS, 7.

Experiences with the evaporating-cooling equipment of a Martin furnace and furnace cooling in general; the first Hungarian evaporating-cooling equipment of a Martin furnace. p. 525.

ENERGIA ES ATOMTECHNIKA. (Energiagazdalkodasi Tudomanyos Egyesulet)
Budapest, Hungary, Vol. 11, No. 9/10, Sept./Oct. 1958.

Monthly list of East European Accessions (EEAI) LC, Vol. 8, No. 7, July 1959.
Uncla.

VADAS, Zoltan, okleveles gepeszmernok

Up-to-date experiences and development of the evaporating cooling of open-hearth furnaces in Hungary. Ipari energia 1 no.1/4:63-64 J1-0 '60.

1. Vaskhaszati Kemenceepito Vallalat.

VADAS, Zoltan, dr.

15 years of mother and child protection. Nepegeszseguy 41 no.5:
132-136 My '60.

(CHILD WELFARE)
(MATERNAL WELFARE)

VADAS, Zoltan

The present state of cooling open-hearth furnaces by evaporation in
Hungary. Koh lap 93 no.11:522-523 N '60.

VADAS, Zoltan, okleveles gepeszmernok

Experiences with metallurgic heat utilization boilers and their development in Hungary. Ipari energia 3 no.5:93-98 My '62.

1. Vaskohazsati Kemenceepito Vallalat Hogazdalkodasi Tervezso Osztalyanak vezetoje.

VADAS, Zoltan

Significance of kiln cooling by evaporation from the point of view of water economy. Hidrologiai kozlony 42 no.6:488-489 D '62.

1. Vaakohaszati Kemenceepito Vallalat, Budapest.

VADAS, Zoltan

Furnace cooling by vaporization and its significance from the point of view of water economy; excerpts from an article. Musz elet 18 no.3:13 31 Ja '63.

VADASFALVYNE AJTAY, Agnes

Soil temperature conditions of Dutch hotbeds.
Orsz meteor int besz tud kut 26:349-351 '62(publ.'63).

Phenometric study on paprika growing in hotbeds. Ibid.:352-355

I 35264-02

SOURCE CODE: HU/0033/65/009/000/0300/0369

ACC NR: AP6027392

AUTHOR: Bartano, Kmotyko Katalin Szalmanc, Szuesak Valeria; Vadasfalvyno, Ajtay
Agmos

ORG: none

TITLE: Structural and autocorrelation function of the areal distribution of sunshine
duration

SOURCE: Idojaras, v. 69, no. 6, 1965, 366-369

TOPIC TAGS: autocorrelation function, solar radiation

ABSTRACT: The structural and autocorrelation functions of sunshine duration were calculated on the basis of daily records from 20 observatories in Hungary, for a period of 100 days selected on the basis of changeable cloudiness. The mean squares of the errors of the interpolation were calculated from the structural functions for station networks of different densities. The results are useful for the statistical characterization of the areal distribution of sunshine duration and for the estimation of the reasonable density of the sunshine-recording network. Orig. art. has: 3 figures and 3 formulas. [Based on authors' Eng. abst.] [JPRS: 34,270]

SUB CODE: 04, 12 / SUBM DATE: none / ORIG REF: 002

ice
Card 1/1

VADASH, Y.F. [Vabash, I.F.]; SOBOLEV, P.A. [Soboliev, P.A.]

Simplified design and calculation of magnetic apparatus for water treatment reagents. Leh.prom. no.3:32-34 J1-S '63. (MIRA 16:11)

1. Chernovitskiy tekstil'nyy kombinat.

VADASH, Z. [Vadas, Z.], inzh. (Vengerskaya Narodnaya Rėspublika)

Operation in Hungary of open-hearth furnace parts necessitating
cooling. Stal' 23 [i.e. 24] no.4:380-381 Ap '64. (MIRA 17:8)

VADASIZ, E.

Relationship between the theory and practice of geology. p. 295

vol. 13, no. 4, 1954, Budapest, Hungary KÖZLEMENYEI

SO: Monthly List of East European Accessions, (EEAL), LC, Vol. 5, No. 3,

March, 1956

E. VADASZ

"Gravel territory of Nogard." p. 57 (FOLDTANI KOZLONY. BULLETIN OF THE
HUNGARIAN GEOLOGICAL SOCIETY, Vol. 83, No. 1/3, Jan./Mar. 1953, Budapest, Hungary)

SO: Monthly List of East European Accessions, L.C., Vol. 2 No. 7, July 1953, Uncl.

E. VADASZ

"The geological dialectics of the formation of the manganite of Bakony." p. 70
(FOLDTANI KOZLONY. BULLETIN OF THE HUNGARIAN GEOLOGICAL SOCIETY, Vol. 83, No. 1/3,
Jan./Mar. 1953, Budapest, Hungary)

SO: Monthly List of East European Accessions, L.C., Vol. 2 No. 7, July 1953, Uncl.

VADASE, E.

"Some Problems Related to the Preparation of Water in Plants of Heavy Industry", p. 713 (MAGYAR TECHNIKA, Vol. 9, no. 10, Dec. 1953, Budapest, Hungary).

Source: Monthly List of East European Accessions, LC, Vol. 3, no. 5, May 1954/Uncl.

VADASZ, N.

Outline of the geologic structure of Hungary; also, remarks by L. Egged and others. p. 217. KOZLEMENYEI. Budapest. (Reports issued by the Section of Technical Sciences, Hungarian Academy of Sciences. Quarterly) Vol. 14, No. 1/3 1954

SOURCE: East European Accessions List (EEAL) Library of Congress
Vol. 5, No. 6, June 1956

VADASE, E.

Tasks of the French Office of Geologic and Mine Research. p. 209.
TOLDEANI KOZLANY. BULLETIN OF THE HUNGARIAN GEOLOGICAL SOCIETY, Budapest, Vol.
84, no. 1, Oct./Dec. 1954.

SO: Monthly List of East European Accessions, (asAL), LC, Vol. 4, no. 10, Oct. 1955,
Uncl.

VADASZ, E.

Our geologic literature overburdened with traditions, p. 233, FOLDTANI
KOZLONY, BULLETIN OF THE HUNGARIAN GEOLOGICAL SOCIETY, (Magyar Földtani
Társulat) Budapest, Vol. 85, No. 2, Apr./June, 1955

SOURCE: East European Accessions List (EEAL) Library of Congress,
Vol. 4, No. 12, December 1955

VADASZ, E.

Our technical language and A magyar helyesiras szabalyai (Rules of Hungarian Orthography), p. 238, GEOLOGICAL SOCIETY, (Magyar Foldtani Tarsulat) Budapest, Vol. 85, No. 2, Apr./June, 1955

SOURCE: East European Accessions List (EEAL) Library of Congress, Vol. 4, No. 12, December 1955

VADASZ, E.

Jubilee celebration on the 70th birthday of M. Elemer Vadasz, p. 241,
FOLDTANI KOZLONY, BULLETIN OF THE HUNGARIAN GEOLOGICAL SOCIETY, (Magyar
Foldtani Tarsulat) Budapest, Vol. 85, No. 2, Apr./June, 1955

SOURCE: East European Accessions List (EEAL) Library of Congress,
Vol. 4, No. 12, December 1955

VADASZ, E.

VADASZ, E. Itinerant congress of the Hungarian Geologic Society and the
Ministry of Coal Mining in Pecs, July 1-3, 1955. p.492.

Vol. 85, no. 4, Oct./Dec. 1955

FOLDTANI KOZLONG. BULLETIN OF THE HUNGARIAN GEOLOGICAL SOCIETY.

GEOGRAPHY & GEOLOGY

Budapest, Hungary

So: East European Accessions, Vol. 5, no. 5, May 1956

VIASZ, E.

VIASZ, E. Depth structure of the Hungarian Alföld. p. 513.

Vol. 114, No. 9, Sept. 1955.

TERMEZET ES TARSADALOM

SCIENCE

Budapest, Hungary

So: East European Accession, Vol. 5, No. 5, May 1956

VADASZ, ELEMER

Elemzo földtan, bevezetés a földtanba. Budapest, Akadémiai Kiadó,
1955. 516 p. (Analytic geology; introduction to geology. illus.,
maps (part fold.), indexes)

SOURCE: East European Accessions List (Wash), Library of Congress,
Vol. 5, No. 6, June 1956

VADASZ, E.

Bauxite and terra rossa. In French. p. 175. ACTA GEOLOGICA.
(Magyar Tudományos Akademia) Budapest. Vol. 4, no. 2, 1956.

SOURCE: East European Accessions List (EEAL) Library of Congress,
Vol. 3, No. 12, December 1956.

VADASZ, Elemer

Present situation of our power supplies and main guiding principles
of our work in the field of power economy. Musz elet 15 no.25:5
D '60. (EEAI 10:2)
(Hungary--Power resources)

SZADE CZKY-KARDOSS, Elemer, akademikus; VADASZ, Elemer, elnok; FOLDVARINE
VOGL, Maria, a fold es asvanytani tudomanyok doktora; EGYED, Laszlo,
lev.tag.; MILLNER, Tivadar, lev.tag; KERTAI, Gyorgy

From merogeology to hologeology; also, remarks by E.Vadasz and others.
Muszaki kozl MTA 27 no.1/2:35-68 '60. (EEAI 10:4)

1. Magyar Tudomanyos Akademia, Muszaki Tudomanyok Osztalya (for
Szadeczky-Kardoss, Vadasz, Foldvarine Vogl, Egyed, Millner)
(Geology)

VADASZ, Elemer, akademikus (Budapest)

Natural history, physics, natural science. Magy tud 67 no.7:411-413
Jl '60. (EEAI 9:11)

(Natural history) (Physics)
(Hungarian Academy of Sciences) (Science)

VADASZ, Elemer, Dr. h.c.

Recollections. Foldt kozl 90 no.2:226-229 Ap-Je '60. (EEAI 10:2)
(Hungary--Geology)

VADASZ, Elemer, Dr.h.c.

The age of geologists. Foldt kozl 90 no.4:464-466 O-D '60. (EEAI 10:5)
(Geologists)

VADASZ, Elemer, akadémikus, egyetemi tanár

Whither is science going? Term tud kozl 5 no.5:226-227 My '61.

VADASZ, Elemer, dr., akadémikus, egyetemi tanár .

The "revolutionary" deeds of Hungarian geology. Term tud kozl 5
no.6:276 Je '61.

VADASZ, Elemer (Budapest)

Training of our geologists and the educational reform. *Magy tud*
68 no.1:25-27 '61. (EEAI 10:8)
(Geology) (Education)

ELEK, Tibor, dr., egyetemi tanar; VADASZ, Elmer, dr., ketszeres Kossuth-dijas akadémikus, egyetemi tanar; TORO, Imre, dr., Kossuth-dijas akadémikus, egyetemi tanar; AUJESZKY, Laszlo, dr., a fizikai tudományok kandidátusa; VARTERESZ, Vilmos, dr.; DOMBAI, Tibor; ALMAR, Ivan, dr., a fizikai tudományok kandidátusa

Hungarian scientists' views on the high-atmospheric nuclear tests. Term tud kozl 6 no.8:337-339 Ag '62.

1. Budapesti Műszaki Egyetem tudományos rektorhelyettese (for Elek). 2. Budapesti Orvostudományi Egyetem rektora, és "Természettudományi Kozlony" szerkeszto bizottsagi elnoke (for Toro). 3. Országos Meteorológiai Intezet tudományos osztalyvezetoje, és "Természettudományi Kozlony" szerkeszto bizottsagi tagja (for Aujeszky). 4. Frederic Joliot-Curie Központi Sugárbiológiai Kutató Intezet igazgatoja, az Országos Bektanács Elnoksegének tagja (for Varteresz). 5. Magyar Állami Eotvos Lorand Geofizikai Intezet igazgatoja (for Dombai). 6. Tudományos Ismeretterjeszto Társulat Budapesti csillagászati és urhajozasi szakosztalyának elnoke (for Almar).

GELEJI, Sandor, akadémikus; WINTER, Erno, akadémikus; VADASZ, Elemer, akadémikus; TARCZY-HORNOCH, Antal, akadémikus; SZECHY, Karoly; CSONKA, Pal, a muszaki tudományok doktora; HEVESI, Gyula, akadémikus

An account of the work of the division of Technical Sciences of the Hungarian Academy of Sciences. Muszaki kozl MTA 31 no.1/4:13-43 '62.

1. Magyar Tudományos Akadémia Muszaki Tudományok Osztályának titkára, és "A Magyar Tudományos Akadémia Muszaki Tudományok Osztályának Közleményei" szerkesztője (for Geleji). 2. Magyar Tudományos Akadémia levelező tagja (for Szechy). 3. Magyar Tudományos Akadémia Muszaki Tudományok Osztályának elnöke (for Hevesi).

BOGSCH, Laszlo, dr.; BALDI, Tamas, dr.; FOLDVARI, Aladar, dr.;
SCHRETER, Zoltan, dr.; MAJZON, Lanzo, dr.; VADASZ, Elemer, dr.

Remarks about Dr. Ilona Csepreghy nee Meznerics' article
"The question of "chattien"-Aquitania in the light of the
history of science. Foldt kozl 42 no.2:196-202 Ap-Je '62.

1. "Foldtani Kozlony" felelos szerkesztoje (for Vadasz).
2. "Foldtani Kozlony" szerkeszto bizottsagi tagja (for Bogsch and Majzon).

VADASZ, Elemer

The role of the eighty-year-old Gyula Prinz in Hungarian geomorphology. Földt kozl 92 no.1:110-111 Ja-Mr '62.

1. "Földtani Kezlony" felelos szerkesztoje.

VADASZ, Elemer, dr.h.c., akadémikus, egyetemi tanár

Significance of the university doctoral degree in geology. Foldt
kozl 92 no.4:467-469 N-D '62.

1. "Foldtani Kozlony" felelos szerkesztoje.

VADASZ, Elemer, dr. h.c., akadémikus, egyetemi tanár

The meaning of Dr. Jeno Jablonski's mission as a botanist and geologist. Term tud kozl 7 no.11:524 N'63.

VADASZ, Elemer, ~~dr.~~

Geological ~~data~~ from the notes of ~~Janez~~ Arany. Foldt kozl
93 no. 4: 493-494 S-D '63.

Geological ~~questions~~ relating to fossil trees in Hungary.
Ibid.; 505-544.

1. "Foldtani Kozlony" felelos szerkesztoje.

CELEJI, Sandor, akadémikus; VADASZ, Elemer, akadémikus

Report of the activity of the Division for Technical Sciences,
Hungarian Academy of Sciences. Muszaki kozl MTA 33 no.1/4:
17-42 '64

1. Magyar Tudományos Akadémia Muszaki Tudományok Osztálya
titkara; "A Magyar Tudományos Akadémia Muszaki Tudományok
Osztályának Közleményei" szerkesztője (for Geleji).

VADAS, Elemer [Vadasz, Elemer], doktor yestestv. nauk, akademik;
BALLA, Zoltan, inzh.-geolog [translator]; MILANOVSKIY,
Ye.Ye., red.; KHAIN, V.Ye., red.; ZIAMENSKAYA, V.K., red.

[Geology of Hungary. Translated from the Hungarian] Geolo-
gia Vengrii. Moskva, Mir, 1964. 531 p. (MIRA 18:3)

VADASZ, Elemer

Geological problems of fossil wood in Hungary. Acta geol Hung
8 no.1/4:119-143 '64.

1. Department of Geology of Lorand Eotvos University, Budapest.

REMINICZKY, Karoly; KISS, Arpad, dr.; PESTA, Laszlo, dr.; MORIK, Jozsef, dr.; KAPOS, Vilmos, dr.; SZABO, Lajos, dr.; BIRO, Zsigmond, dr.; GULACSY, Bela (Budapest); ROMAN, Istvan; GAJZAGO, Laszlo; NAGY, Imre; PINTER, Antal; VADASZ, Elemer, dr.; KONCZ, Istvan, dr.; PUTNCKI, Janos; JANCSCO, T.; BAKAY, T.; MORY, B., dr.; VERES, L.; KASZO, L.; OSZTROVSZKI, Gyorgy, dr.

The first Hungarian aerosol conference. Epuletgepeszet 14 no.1:
29-31 F '65.

1. President, National Committee on Technical Development, Budapest (for Kiss).
2. Deputy Chairman, Budapest City Executive Committee (for Pesta).
3. National Institute of Public Health, Budapest (for Morik).
4. Public Health and Medical Clinic for Contagious Diseases, Budapest (for Kapos).
5. Public Health and Medical Clinic for Contagious Diseases, Pecs (for Szabo).
6. Public Health and Medical Clinic for Contagious Diseases, Miskolc (for Biro).
7. Kelenfold Heat Power Plant Enterprise, Budapest (for Roman).
8. National Meteorological Institute, Budapest (for Gajzago).
9. National Power Economy Authority, Budapest (for Pinter and Vadasz).
10. Research Institute of Heat Engineering, Budapest (for Koncz).
11. Research Institute of Heavy Chemical Industry (for Mory).
12. Fuel Trade Enterprise, Budapest (for Kaszo).
13. Deputy President, National Committee on Technical Development, Budapest (for Osztrovszki).

I 32194-66

ACC NR: AP6020844

SOURCE CODE: HU/0036/65/072/003/0224/0226

AUTHOR: Vadasz, Elemer (Academician; Professor)

ORG: Eotvos Lorand University (Eotvos Lorand Tudomanyegyetem)

TITLE: Expansion of the Museum of Natural History

SOURCE: Magyar tudomany, v. 72, no. 3, 1965, 224-226

TOPIC TAGS: mineralogy, petrology, geology

ABSTRACT: Following a rather sluggish beginning, the Hungarian Museum of Natural History (Termeszettudomanyi Muzeum) became independent and the old mineralogical and geological collection was separated which involved some necessary reorganization. This was accomplished in 1954, with the opening of two separate mineralogical-petrological and geological-archeological collections. The extensive damage suffered by the collections in 1956 was restored with support from the Ministry of Culture and related institutions. Beautiful exhibitions were opened by both collections in addition to one by the anthropological collection entitled "The Development of Man". With the opening of an exhibition entitled "The Animals of Hungary" in Oct 1964, the animal collection has also become active. The establishment of a Department of History of the Hungarian Natural Sciences is noteworthy as it collected heretofore neglected material in a worthwhile project. The general advancement in the activities of the Museum, especially in the role of educator of the public, is lauded in the summary. [JPRS]

SUB CODE: 08 / SUBM DATE: none

Card 1/1

VADASZ ERZSEBET, Dr.

Cytological differential diagnosis and cytological changes during steroid therapy in pemphigus vulgaris and other bullous dermatitis as shown by the Tzanck test. *Borogy. vener. szemle* 12 no.4-5:193-196 Aug-Oct 58.

1. A Debreceni Orvostudományi Egyetem Bor- és Nemikortani Klinika (Igazgató: Szodoray Lajos dr. egyetemi tanár) közleménye.

(PEMPHIGUS

cytol. differ. diag. of pemphigus vulgaris & other bullous dermatitis & evaluation of ACTH - cortisone ther. by Tzanck test (Hun))

(DERMATITIS

bullous, cytol. differ. diag. of pemphigus vulgaris & other bullous dermatitis & evaluation of ACTH - cortisone ther. by Tzanck test (Hun))

(ACTH, ther. use

pemphigus vulgaris & other bullous dermatitis, with cortisone, evaluation by Tzanck test (Hun))

(CORTISONE, ther. use

pemphigus vulgaris & other bullous dermatitis, with ACTH, evaluation by Tzanck test (Hun))

VADASZ, Erzsebet, dr.; MESZAROS, Katalin, dr.

Comparative study of the cortical stimulating effect of adrenocorticotrophic hormone administered by different methods and in different doses. *Borgyogy. vener. szemle* 38 no.1:25-29 F '62.

1. A debreceni Orvostudományi Egyetem Borklinikájának közleménye
(Igazgató: Szodoray Lajos dr. egyetemi tanár)

(CORTICOTROPIN pharmacol)

CSOKA, Imre, dr.; VADASZ, Erzsébet, dr.

Glycocorticoid production disorders of the adrenal cortex in pemphigus.
Borgyogy. vener. szemle 38 no.4:168-171 Ag '62.

i. A Debreceni Orvostudományi Egyetem Borklinikájának (Igazgató:
Szodoray Lajos dr. egyetemi tanár) közleménye.
(PEMPHIGUS compl) (ADRENAL CORTEX HORMONES)
(ADRENAL CORTEX dis)

VADASZ, Erzsebet, dr.; GERGELYNE DEBREGENI, Margit

Hormone therapy of patients with acne. Borgyogy. vener.
szemle 39 no. 4:177-183 Ag '63.

1. A Debreceni Orvostudományi Egyetem Borklinikájának
(igazgató; Szodoray Lajos dr., egyetemi tanár) közleménye.
(ACNE) (ESTROGENS) (17-KETOSTEROIDS)

CSOKA, Imre, dr.; VADASZ, Erzsebet, dr.; GERGELY, L.-ne, dr.

Studies on aldosterone in pemphigus. *Borogy. vener. szemle* 39
no.6:263-267 D '63.

1. A Debreceni Orvostudományi Egyetem Borklinikájának közleménye
(Igazgató: Szodoray Lajos dr. egyetemi tanár).
(PEMPHIGUS) (ALDOSTERONE) (CORTICOTROPIN)
(CORTISONE) (URINE) (PHARMACOLOGY)

CSOKA, I., dr.; VADASZ, E. dr.; DEBRECZENI, M., G.-no.

Pemphigus and the adrenal cortex. *Borogyogy vener. szemle*
40 no.3:116-119 Jo'64

1. A Debreceni Orvostudományi Egyetem Bor- és Nemikortani
klinikájának közleménye (Igazgató: Szodoray, Lajos, dr.,
egyetemi tanár).

L 37799-66

ACC NR: AP6028463

SOURCE CODE: HU/0018/66/000/003/0291/0293

AUTHOR: Debreczeni, Margit; Vadasz, Erzsebet

ORG: Dermatological Clinic, Medical University of Debrecen (Debreceni Orvostudományi i Egyetem, Borklinika)

TITLE: Role of dehydroepiandrosterone in seborrhea

SOURCE: Kiserletes orvostudomány, no. 3, 1966, 291-293

TOPIC TAGS: endocrinology, skin disease, hormone, biologic metabolism

ABSTRACT: The article deals with the hormonal background of seborrhea. A large number of the patients with acne who were subjected to endocrinological examination were found to have a decreased amount or complete lack of dehydroepiandrosterone. An attempt is made to correlate this finding with the pentose cycle and with the disturbance in lipid metabolism seen in patients with seborrhea. Orig. art. has: 1 table. [JPRS: 36,599]

SUB CODE: 06 / SUBM DATE: 19Jun65 / ORIG REF: 003 / OTH REF: 010

Card 1/1 *lll*

0917 2218

VADASZ, F.

"What the New Soviets Expect from the Innovator Movement." p. 3
(UJITOK LAPJA. Vol. 6, No. 22, Nov. 1954; Budapest, Hungary.)

So: Monthly List of East European Accessions, (EEAL), IC, Vol. 4,
No. 4, April 1955, Uncl..

DUH, Andras, dr.; HORVATH, Endre, dr.; VADASZ, Gabor, dr.

Reorganization of hospital transfusion services as a mirror
of modern tasks. Orv. hetil. 105 no. 28:1297-1300 12 JI'64

1. Orszagos Vertransfusios Szolgalat, Kozponti Kutato Intezet.

KOVACS, Klara, Dr.; VADASZ, Gyorgy, Dr.; KARPAT, Laszlo, Dr.

Malignant laryngotracheobronchitis in small children. Orv. hetil. 100
no.2:74-77 11 Jan 59.

1. Az Orvostovábbképző Intézet (mb. igazgató: Barsony Jeno dr. Kandidátus)
Gyermekosztálynak (főorvos: Steiner Bela dr., kandidátus) és Orr-fül-
gegeosztálynak (főorvos: Surján Laszlo dr., Kandidátus) közleménye.

(CROUP

hyperacute malignant, in small child. (Hun))

VADASZ, Gyorgy, dr.; DOMOK, Istvan, dr.

Clinical and etiological observations in connection with
Bornholm disease of children. Orv.hetil. 100 no.43:1541-1547
0 '59.

1. Orvostovábbképző Intézet (mb.igazgató: Barsony Jenő dr.)
Gyermekosztálynak (főorvos: Steiner Béla dr.) és az Országos
Közegészségügyi Intézet (főigazgató: Bakács Tibor dr.)
Vírusosztálynak (osztályvezető: Farkas Elek dr.) közleménye.
(PLEURODYNIA, EPIDEMIC in inf. & child.)

VADAST, György, dr.; HEVER, Odon, dr.; KORANYI, György, dr.

Haptoglobin in children with hepatitis. Orv. hetil. 196
no.51:2423-2426 20 D '64.

I. Orvostovábbképző Intézet, II. Gyermekgyógyászati Tanszék
(tanszékvezető: Steiner Béla dr.; Allami Fodor József I. sz.
Gyógyintézet (igazgató-orvos: Riskó Tibor dr.), Laboratórium
(orvos: Hever Odon dr.).

VADASZ, Gyorgy, dr.; KORANYI, Gyorgy, dr.; KOVACS, Klara, dr.; HOLLO,
Tamas, dr.

Diagnostic and therapeutic problems of congenital diaphragmatic
hernia. Orv. hetil. 106 no.16:731-735 18 Ap '65

1. Orvostovabbkepzo Intezet, II. Gyermekgyogyaszati Tanszek.

I. 37734-66 RM/DS

ACC NR: AP6028471

SOURCE CODE: HU/0018/66/000/003/0334/0336

AUTHOR: Vadasz, Gyorgy

ORG: Department of Morphology, Research Institute of Experimental Medicine, MTA

TITLE: Removal of acid from glutaraldehyde for use in electron microscopy

SOURCE: Kiserletes orvostudomány, no. 3, 1966, 334-336

TOPIC TAGS: electron microscopy, ion exchange resin, chemical separation, chemical laboratory apparatus

ABSTRACT: Ion exchange resins can be used to remove the acid impurities from glutaraldehyde. The apparatus described is simple, it can be built in the laboratory and, as a rule, it permits the purification of 0.5-1.0 ml amounts of glutaraldehyde without loss. Orig. art. has: 2 figures. [JPRS: 36,599]

SUB CODE: 07 / SUBM DATE: 30Nov65 / OTH REF: 001

Card 1/1 *lll*

VADASZ, Gyula, dr.

The significance of rehabilitation patient care. Nepegeszsegügy
44 no.1:9-15 Ja '63.

(REHABILITATION)

(STATE MEDICINE)

VADASZ, Gyula, dr.; DEBROCZI, Tibor, dr.; ROSNYAI, Klara, dr.

Some problems of the rehabilitation of cardiac patients. Nepe-
geszsegugyi 45 no.2:48-51 F'64.

*

COMSA, Gh., dr.; VADASZ, I., dr.; SCHMITZER, Gabriela, dr.; LITMAN, C., dr.

Bronchial asthma with migratory atelectasis. Med. intern.(Bucur.)
16 no.12:1481-1488 D '64

1. Lucrare efectuata in Sectia de boli interne a Spitalului
"Alexandru Sahia", Bucuresti.

KENEZ, Janos, dr.; VADASZ, Imre, dr.

Contribution to the current status of pulmonary tuberculosis in aged patients. Tuberkulozis 14 no.9:278-285 S '61.

1. A Budagyongyei Megyei Tudobeteggyogyintezet (igazgato-foorvos: Galgocsy Jenő dr.) kozlemenye.

(TUBERCULOSIS PULMONARY in old age)

VADASZ, Imre, dr.

Digoxin treatment of circulatory insufficiency associated with chronic lung diseases. Tuberkulosis 16 no.6:181-183 Je '63.

1. A Budagyongyei Megyei Tudobeteggyogyintezet (igazgatofoorvos: Galgoczy Jenó dr.) kozlomenye.

(DIGOXIN) (LUNG DISEASES)

(BRONCHIAL DISEASES)

(HEART FAILURE, CONGESTIVE)

(DIGITALIS)

VADASZ, Imre, dr.

Treatment of patients suffering from chronic respiratory tract abscesses with intramuscular chlorocid injection. Tuberkulozis 16 no.9:269-271 S '63.

1. A Budagyongyei Megyei Tudobeteggyogyintezet (igazgato-
foorvos: Galgoczy Jenő dr.) közleménye.
(CHLORAMPHENICOL) (INJECTIONS, INTRAMUSCULAR)
(BRONCHIECTASIS) (PNEUMONIA) (LUNG ABSCESS)
(EMPHYEMA) (BRONCHOSCOPY)

VADASZ, Imre, dr.

Anabolic hormones in the treatment of some forms of pulmonary tuberculosis. Tuberkulózis 17 no.8:245-248 Ag '64.

1. A Budagyongyei Megyei Tudobeteggyogyintezet (igazgato-focorvos: Galgoczy Jenő dr.) közleménye.

VADASZ, J.

The origin of thymocytes. Acta morph. hung. 4 no.3:289-292 1954.

1. Institut für Histologie und Embryologie der Medizinischen
Universität, Budapest.

(THYMUS

extracts, tissue culture, develop. of thymocytes)

(TISSUE CULTURE

thymus extracts, develop. of thymocytes)