

SAMBUR, Grigoriy Nikitovich [Sambur, H.M.]; SKRIPNIK, P.S.
[Skrypnyk, P.S.], red.; KALASHNIKOVA, O.G. [Kalashnykova,
O.H.], tekhn. red.

[Improvement and use of Solonets soils] Polipshennia ta vyko-
rystannia solontsevykh hruntiv. Kyiv, Derzhsil'hopvydav URSR,
1962. 51 p. (MIRA 15:7)
(Ukraine--Solonetz soils)

PROKAPALO, I.S., kand. sel'khoz. nauk; TREGUBENKO, M.Ya.
[Trohubenko, M.IA.], kand. sel'khoz. nauk; AICTYUKHOV,
Y.K., kand. sel'khoz. nauk; KRYACHKO, P.G.[Kriachko,
P.H.], st. nauchn. sotr.; MAKODZEBA, I.O., kand. sel'-
khoz. nauk; SIDENKO, I.O., kand. biol. nauk; SUSIDKO,
P.I., kand. biol. nauk; REPIN, A.M.[Riepin, A.M.], kand.
sel'khoz. nauk; LOGACHOV, M.I.[Lohachov, M.I.], kand.
sel'khoz. nauk; OSTAPOV, V.I., kand. sel'khoz. nauk;
ZAFOROZHCHENKO, O.L., kand. sel'kh.nauk; FLYAGIN, A.D.[Fliahin, A.D.],
kand. ekon. nauk; KANIVETS', I.D., st. nauchn. sotr.;
SKRIPNIK, P.S.[Skrypryk, P.S.], red.; GULENKO, O.I.
[Hulenko, O.I.], tekhn. red.

[Advanced practices in growing corn] Peredovi metody vy-
roshchuvannia kukurudzy. 2., perer. i dop. vyd. Kyiv,
Derzhsil'hospvydav, URSR, 1962. 231 p. (MIRA 17:1)

ROMANOV, Vasily Ivanovich; SKRIPNIK, P.S. [Skrypnyk, P.S.], red.;
GULENKO, O.I. [Hulenko, O.I.], tekhn. red.

[Economic effectiveness of over-all mechanization of corn
growing] Ekonomichna efektyvnist' kompleksnoi mekhanizatsii
vyrobnytstva kukurudzy. Kyiv, Derzhsil'hospvydav URSS, 1961.
105 p. (MIRA 16:1)

(Ukraine—Corn (Maize))

BUNTUSH, T.O., kand. sel'khoz. nauk; MOISEYEVA, V.P. [Moiseieva, V.P.],
kand. biol. nauk; ANIS'KOVA, T.S., kand. biol. nauk; ROMANIK,
V.M., agronom; SKRIPNIK, P.S. [Skrypnyk, P.S.], red.

[Advanced methods of flax growing and processing] Peredovi
metody vyroshchuvannia i pererobky l'onu. 2., perer. i dop.
vyd. Kyiv, Derzhsil'hospvydav URSR, 1963. 133 p.

(MIRA 17:4)

LEONCHIK, Konrat Leontiyevich [Lentychy, K.L.]; PASTOR,
Anatoly Ivanovich [Pastor, A.I.]; [Lentychy, K.L.];
[Lentychy, K.L.], ed.

[The collective farm economist. Ekonomist kolhospa. Kyiv,
Urozhai, 1961. 86 p. (NIR 17:10)]

MUKHITDINOV, B.N.; SKRIPNIK, T.N.

X-ray clinic observations of patients with various forms of intestinal stasis during treatment at the Khodzha-Obi-Garm health resort. Preliminary report. Zdrav. Tadzh. 6 no.5:21-24 '59. (MIRA 13:3)

1. Iz Yerevanskogo instituta rentgenologii i onkologii i kurorta Khodzha-Obi-Garm.
(OBI-GARM-MINERAL WATERS) (CONSTIPATION)

SKRIPNIK, V.

These are the possibilities for lowering the cost of production!
Nauka i pered.op.v sel'khoz. 7 no.7:67-69 J1 '57. (MLRA 10:8)

1.Predsedatel' kolkhoza imeni Lenina, Khokhol'skogo rayona,
Voronezhskoy oblasti.

(Agriculture--Economic aspects)

SKRIPNIK, V.

Rural builders need strong support. Sel'. stroi. 13 no.4:7 Ap '59.
(MIRA 12:6)

1.Predsedatel' kolkhoza imeni Lenina, Khokhol'skogo rayona,
Voronezhskoy oblasti.
(Khokhol District--Farm buildings)

SKRIPNIK, V.

Make use of each hectare of land wisely. Zemledelie 25 no.4:
21-24 Ap '63. (MIRA 16:5)

1. Predsedatel' kolkhoza imeni Lenina, Khokhol'skogo rayona
Voronezhskoy oblasti.

(Farm management)

SKRIPNIK, V.

For large grain crops under any weather conditions.
Zemledelie 26 no.3:58-59 Mr '64. (MIFA 17:4)

1. Predsedatel' kolkhoza imeni Lenina Khokhol'skogo
proizvodstvennogo upravleniya Voronezhskoy oblasti.

KOPYTOV, A.V.; SKRIPNIK, V.A.

Exploitation of gas condensate fields in Bashkiria. Nefteprom.
delo no.3:13-16 '63. (MIRA 16:9)

1. Ufimskiy neftyanoy nauchno-issledovatel'skiy institut.

SKRIPNIK, V.F. (Irkutsk)

Calculation of the steady operation of electrical systems.
Izv. AN SSSR.Energ. i transp. no.3:63-67 My-Je '65.

(MIRA 18:12)

1. Submitted March 12, 1965.

VENIKOV, V.A. ; SKRIPNIK, V.F.; TSOV'YANOV, A.N.

Use of digital computers in studying transients in electrical
systems. Izv. AN SSSR. Energ. i transp. no.4:448-465 J1-Ag
'63. (MIRA 16:11)

SKRIPNIK, Yu.A., kand. tekhn. nauk; SKRIPNIK, V.I.

Highly stable quadrature phase indicator. Avtom. i prib.
no.3:44-47 J1-S '64. (MIRA 18:3)

ACC NR: AT6034602

(A)

SOURCE CODE: UR/3232/66/000/003/0022/0027

AUTHOR: Skripnik, V. I.; Skripnik, Yu. A.

ORG: none

TITLE: The effect of amplitude inequality on the accuracy of antiphase zero indicators

SOURCE: L'vov. Politekhicheskiy institut. Kontrol'no-izmeritel'naya tekhnika, no. 3, 1966, 22-27

TOPIC TAGS: phase measurement, phase shift, phase meter, *pulse amplitude*

ABSTRACT: The method of comparing amplitude unstable voltages does not provide the necessary high measurement accuracy of the 180° phase shift. The article discusses the principal of operation and describes an accurate antiphase measuring device in which the precision measurements of the 180° phase shift in the relatively broad frequency range is reached using the phase sensitive circuit with periodic commutations of compared voltages. The equipment has the following parameters: 1) the frequency range is from 1 kc to 1 mc. 2) The effective values of input voltages range from 1 to 20 v; 3) the maximum reading error when the coefficient of nonlinear distortion is not higher than 2% is 0.1° for frequencies of 1-100 kc, 0.2° for frequencies of 100-300 kc and 0.3° for frequencies of 300 kc-1 mc. Orig. art. has: 2 figures and 13 formulas.

SUB CODE: 09/ SUBM DATE: none/ ORIG REF: 007

Cards 1/1

PRIKHODCHENKO, V.G.; SKRIPNIK, V.A.; KUDRA, O.K.

Electrodeposition of small amounts of iron on mercury. *Zhur.prikl.khim.*
36 no.2 344-350 F '63. (M~~1~~ 16:3)

1. Kiyevskiy politekhnicheskij institut. (Iron plating) (Electrodes, Mercury)

РАЙХОДБЕРНГО, В.О. [Prykhodchenko, V.O.]; КУДЕН, В.Н.; СКУПНИК, В.А. [Skrypnyk, V.O.]

Effect of surface-active agents on the kinetics of electrodeposition of iron on a mercury cathode. Dop. AN USSR no.12:1620-1624 '63.
(IJA 17:9)

1. Kiyevskiy politekhnicheskii institut. Predstavleno akademikom AN UkrSSR Yu.K. Delimarskiim [Delimars'kyi, Yu.K.].

KLYAROVSKIY, G.V.; SKRIPNIK, V.A.

Developing a pool with water drive of gaseous oil based on
a study of the Lolina oil field. Neft. i gaz. prom. no.3:
39-41 J1-S '64. (MIRA 17:12)

SKRIPNIK, V.A.; PASECHNIK, B.N.

Methods for developing the Lelyaki oil field. Neft. i
gaz. prom. 3:40-42 JI-S '65. (MIRA 18:11)

L 46197-66 EWT(1)/T JK

ACC NR: AR6011882

SOURCE CODE: UR/0299/65/000/0022/B037/B037

AUTHOR: Illarionova, R. P.; Skripnik, L. I.; Rogozhina, A. P.;
Chernomordik, A. B.; Lukach, I. G.

28

B

TITLE: Isolation and properties of a new pigmented antibiotic ✓

SOURCE: Ref. zh. Biologiya, Abs. 22B253

REF SOURCE: Sb. Antibiotiki. Kiev, Zdorov'ya, 1965, 76-80

TOPIC TAGS: antibiotic, bacteriology, soil bacteriology

ABSTRACT: An actinomycete producing the new P-125 antibiotic has been isolated from the chernozem soils of Poltavsk Oblast. The producer culture forms a gray aerial mycelium and a violet substrate mycelium in synthetic media, and in organic medium No. 2 the culture develops a violet-brown substrate mycelium that colors the medium slightly brown; the spore carriers are straight. This strain is classified with the Violaceus series on the basis of culture and morphological indices; species identification has not been established. Liquid organic medium No. 2 is favorable for the formation of P-125. The culture liquid was saturated with sodium chloride and acidified to pH 3.0 to isolate P-125. Then a sediment was obtained containing mycelium and antibiotic

UDC: 615.779.931

End 1/2

46197-46

ACC NO: AR6011882

precipitated from the culture liquid. The sediment was extracted three times with acetone and boiled down. P-125 was extracted with chloroform from the aqueous-acetone solution. The extract was concentrated and precipitated with petroleum ether or benzene. The preparation in appearance is a dark-red amorphous powder. P-125 has index properties; the UV absorption spectrum is 230 and 495 millimicrons in methanol and 315, 415 and 490 millimicrons in butanol. P-125 can be differentiated from violarin, litmocidin and antibiotic 770-M by its chromatographic properties and UV spectra. P-125 closely resembles rubidine. P-125 is classified as a new chemical compound of the rubromycin-griseorodine group. It is active in relation to gram positive bacteria and acid resistant bacteria. T. Maksimova. [Translation of abstract].

SUB CODE: 06

no
Card 2/2

27311
S/199/61/002/004/007/007
B112/B108

16.3400

AUTHOR: Skripnik, V. P.

TITLE: Some criteria for the boundedness of solutions of systems of nonlinear and linear differential equations

PERIODICAL: Sibirskiy matematicheskiy zhurnal, v. 2, no. 4, 1961, 582 -599

TEXT: The author derives some criteria for the boundedness of the solutions of systems of differential equations having the form $A_0(t)x'' + A_1(t)x' + A_2(t)x + F(t, x, x') = 0$. A_0, A_1, A_2 are square matrices, x and F are vectors. The behavior of the eigenvalues λ of A_0, A_1, A_2 is essential for the boundedness of solutions of such systems. Among other criteria, the following two are given: If the vector function $F(t, \xi)$ is continuous and if it satisfies the inequality

for $\|\xi\| < \delta, \delta > 0, t \geq 0$, if $\max_{\lambda} \frac{\|F(t, \xi)\|}{\|\xi\|} \leq g(t) \leq h(t)$, $h(t)$ is a continuous function, and

function, and

Card 1/2

X

S/039/61/054/004/002/002
G111/C333

AUTHOR: Skripnik, V. P. (Moscow)

TITLE: Some criteria for the boundedness of the solutions of systems of nonlinear differential equations

PERIODICAL: Matematicheskii sbornik, v. 54, no. 4, 1961, 469-488

TEXT: The author considers the system

$$A_0(t) x'' + F(t, x, x') = 0 \quad (1)$$

where $A_0(t)$ is a quadratic symmetric matrix, $F(t, x, x')$ an n-dimensional vector, $F(t, 0, 0) \equiv 0$ for $t \geq 0$.

Criteria for the boundedness of the solutions of (1), and of the solutions of (1) and of their derivatives, respectively are given.

The following notations are used: $(\xi, \eta) = \sum_{i=1}^n \xi_i \eta_i$ is the scalar product of the vectors ξ and η ; $\|\xi\| = \sqrt{(\xi, \xi)}$; $\|A\| = \sqrt{\sum a_{ij}^2}$ -- norm of the matrix

Card 1/7

S/039/61/054/004/002/002

Some criteria for the boundedness ... C111/C333

$F(t, \xi, \eta)$ is assumed to possess a partial derivative with respect to η for $\xi = 0$ and $\|\eta\| < \delta$, $\delta > 0$, and a partial derivative with respect to ξ for $\|\xi\|^2 + \|\eta\|^2 < \delta^2$.

3.) Let a symmetric and differentiable matrix $R(t)$, $\min \lambda [R] \geq \epsilon$, exist such that, if the arbitrary

$2n^2 + 1$ vectors $\xi^{(i,j)}, \eta^{(i,j)}, \eta$ satisfy the inequalities $\|\eta^{(i,j)}\| < \delta$, $\|\xi^{(i,j)}\|^2 + \|\eta\|^2 < \delta^2$, it holds:

$$\left\{ \max \lambda \left[S \left(A_0 - 2 \frac{\partial F(t, 0, \eta^{(i,j)})}{\partial x'} \right) \right] + \left\| R(t) - \frac{\partial F(t, \xi^{(i,j)}, \eta)}{\partial x} \right\|_+ \right\} + \left\{ \max \lambda [R'] + \left\| R - \frac{\partial F(t, \xi^{(i,j)}, \eta)}{\partial x} \right\|_+ \right\} \leq h(t), *$$

where $h(t)$ is continuous and $\int_0^{\infty} h(t) dt = M < \infty$.

Card 3/7

Some criteria for the boundedness ...

S/039/61/054/004/002/002
C111/C333

$$\left| r_{ij}(t) - \frac{\partial f_i(t, \xi, 0)}{\partial x_j} \right| \leq h(t)$$

4.) For every η with $\|\eta\| < \delta$ and arbitrary ξ it holds

$$\left| \frac{\partial f_i(t, \eta, \xi)}{\partial x_j} - \frac{\partial f_i(t, 0, 0)}{\partial x_j} \right| \leq q(t)$$

$$5.) \max \lambda \left[S \left(A'_0 - 2 \frac{\partial F(t, 0, 0)}{\partial x'} \right) \right] + n [2q(t) + h(t)] \leq 0,$$

$$\left\{ \max \lambda [R']_+ + nh(t) \right\}_+ \leq g(t),$$

where $g(t)$ is a continuous function and $\int_0^{\infty} g(t) dt < +\infty$.

Then every solution x of (1.1) continuable at infinity possessing a first derivative and satisfying the inequality

Card 5/7

Some criteria for the boundedness ... S/039/61/054/004/002/002
C111/C333

language publication reads as follows: R. Bellman, Teoriya ustoychi-
vosti resheniy differentsial'nykh uravneniy [Stability theory of
differential equations] Moscow, I L, 1954.

SUBMITTED: November 30, 1959

Card 7/7

21403

S/039/61/055/004/002/002

B112/B104

16.350⁰

AUTHOR: Skripnik, V. P. (Moscow)

TITLE: A boundary value problem and certain questions of the variation of its solutions

PERIODICAL: Matematicheskiy sbornik, v. 55(97), no. 4, 1961, 449 - 472

TEXT: For the system $x_1' = f_1(t, x_1, \dots, x_m), \dots, x_m' = f_m(t, x_1, \dots, x_m)$, the author investigates the boundary value problem to find a continuous solution x on $[a, b]$, which satisfies the conditions $x_i(a_i) = \alpha_i$,

$i = 1, \dots, m, a_i \in [a, b]$. With respect to the functions f_i , the principal assumption is the following:

$$\begin{aligned} & \left| f_i(t, \xi_1^{(1)}, \dots, \xi_m^{(1)}) - f_i(t, \xi_1^{(0)}, \dots, \xi_m^{(0)}) \right| \\ & \leq K_i(t) \left(\left| \xi_1^{(1)} - \xi_1^{(0)} \right| + \dots + \left| \xi_m^{(1)} - \xi_m^{(0)} \right| \right) \end{aligned}$$

in a certain domain $D: \left| \xi_i - \alpha_i \right| \leq \rho_i$, where the functions $K_i(t)$ are

Card 1/2

X

21403

S/039/61/055/004/002/002
B112/B104

A boundary value problem and certain...

continuous on $[a, b]$ with $\sup_{t \in [a, b]} \sum_{i=1}^m \left| \int_{a_i}^t K_i(t) dt \right| < 1$. Also, the following

boundary value problem is considered: $x_j(a_j) = \alpha_j$, $x_j(b_j) = \beta_j$, $x_k(c_k) = \gamma_k$, $j = 1, \dots, l$, $k = l + 1, \dots, l + p$, $2l + p = m$, $a_j, b_j, c_k \in [a, b]$. It is demonstrated, that, under certain conditions, the distance between two neighboring zeros of a non-trivial solution x of a non-linear second-order equation $x'' = f(t, x, x')$ is greater than a certain positive number. For a homogeneous, linear, second-order equation, the interrelation between the existence of a solution of the boundary value problem $x(\tau_1) = \alpha$, $x(\tau_2) = \beta$, $\tau_1, \tau_2 \in [a, b]$ and the variation of its solutions on $[a, b]$ is shown. There are 2 Soviet references.

SUBMITTED: April 28, 1960

Card 2/2

X

S/140/62/000/002/005/005
C111/G444

16 3400

AUTHOR: Skripnik. V. P.
TITLE: Some criteria for the boundedness and unboundedness of the solutions of systems of linear differential equations
PERIODICAL: Vysshiye uchebnyye zavedeniya. Izvestiya. Matematika, no. 2, 1962, 151-161

TEXT: Considered are the systems:
$$A_0(t)x'' + A_1(t)x' + A_2(t)x = 0 \tag{1.1}$$

and
$$A_0(t)x' + A_1(t)x = 0 \tag{2.1}$$

where the $A_i(t)$ are quadratic matrices, the elements of which being continuous functions of t for $t \geq 0$, and x being a vector. In 9 theorems sufficient conditions are given in order that the solutions of (1.1) and (2.1), where $A_0(t)$ is also allowed to be degenerate, be bounded, respectively unbounded, e. g.

Card 1/3

S/140/62/000/002/005/005
C111/C444

Some criteria for the boundedness ...

Theorem 1.1:

The following conditions be satisfied:

- 1. $A_0(t)$ is symmetric and differentiable
- 2. $A_2(t)$ is differentiable
- 3. $\min \lambda [A_0] \geq \epsilon, \min \lambda [s(A_2)] \geq \epsilon, \text{ where } \epsilon > 0,$

$$4. \int_0^{\infty} \left\{ \max \lambda [s(A'_2)] + \frac{1}{2} \| A_2 - A_2^* \| \right\}_+ dt < \infty,$$

$$\int_0^{\infty} \left\{ \max \lambda [A'_0 - 2s(A_1)] + \frac{1}{2} \| A_2 - A_2^* \| \right\}_+ dt < \infty .$$

Then all the solutions of (1.1) together with their derivatives are bounded.

Here $s(A)$ is the symmetric part of A ; $\lambda[A]$ is the characteristic number of A .

Card 2/3

33861 S/O41/62/014/001/002/007
B112/B104

16.3400

AUTHOR: Skripnik, V. P., (Moscow)

TITLE: Some criteria for the limitation of solutions of systems of nonlinear differential equations

PERIODICAL: Ukrainskiy matematicheskiy zhurnal, v. 14, no. 1, 1962, 57-68

TEXT: The systems of nonlinear differential equations

- 1) $A_0(t)x' + \phi_1(t, x) = 0,$
- 2) $\phi_0(t, x') + A_1(t)x = 0,$
- 3) $A_0(t)x'' + \phi_1(t, x') + A_2(t)x = 0,$

where $A_0, A_1,$ and A_2 are matrices, and $\phi_0, \phi_1,$ and x are vectors, are considered in this paper. These systems are not always solved with respect to the highest derivatives. For systems 1 and 2, some criteria for the limitation or for the tendency to zero of the solutions for $t \rightarrow \infty$ are proved.

Card 1/2

4

SKRIPNIK, V.P. (Moskva)

Some criteria of the boundedness and nonboundedness of solutions
of systems of linear differential equations. Izv.vys.ucheb.zav.;
mat. no.2:151-161 '62. (MIRA 15:8)
(Differential equations, Linear)

SKRIPNIK, V.P. (Moskva)

Systems with transformed arguments. Boundary value problems and
the Cauchy problem. Mat. sbor. 62 no.4:385-396 D '63.
(MIRA 17:4)

SHRINIK, V.D. (Moskva)

Degenerate systems and a small parameter with a higher
derivative. Mat. sbor. 65 no.3:338-356 W '64 (MIRA 18:1)

L 29119-66 - ENT(d)/ENR(1) IJP(c)

ACC NR: AP6018844

SOURCE CODE: UR/0039/65/068/002/0274/0281

AUTHOR: Skripnik, V. P. (Moscow)

ORG: none

TITLE: ¹⁶ Systems with a transformed argument for the case in which the transformations of the argument depend on the solution itself

SOURCE: Matematicheskii sbornik, v. 68, no. 2, 1965, 274-281

TOPIC TAGS: boundary value problem, algorithm, initial value problem

ABSTRACT: In an earlier article the author considered systems in which the transformations of an argument depend only on time. The present article considers the case in which the transformations of the argument depend not only on time but also on the solution itself. A theorem is formulated on the existence of solutions. A multipoint boundary-value problem and an initial-value problem are considered. The author notes that the theorem differs from a theorem in his earlier article in that in the present article the existence of solutions is proved with the use of more general assumptions relating to the right-hand sides, but the question of uniqueness, for example, remains open. The author also noted that no algorithm is given for finding solutions but that an article by V. V. Nemytskiy fills a certain gap in this regard. Orig. art. has: 7 formulas. [JPRS]

SUB CODE: 12 / SUBM DATE: 01Jul64 / ORIG REF: 004

UDC: 517.925

Card 1/1 CC

YEGOROV, Yuriy Yevgen'yevich [IEhorov, IU.IE.]; KISEL', Anatolii Stepanovich
[Kysil', A.S.]; PERESADENKO, I.A., otv. red.; SKRIPNIK, V.T. [Skrypnyk,
V.T.], red.

[The Ukrainian Soviet Socialist Republic; a reference book] Ukrain's'ka
Radians'ka Sotsialistychna Respublika; dovidkovyi material. Kyiv, 1961.
39 p. (Tovarystvo dlia poshyrennia politychnykh i naukovykh znan'
Ukrains'koi RSR. Ser.1, no.10) (MIRA 14:9)
(Ukraine—Economic conditions)

ZAGORODNIY, Vasilii Ivanovich [Zahorodniy, V.I.], kand.ekonom.nauk;
ROMANOV, O.T., otv.red.; SKRIPNIK, V.T. [Skrypnyk, V.T.], red.

[Improvement of the welfare of the Soviet people] Zrostannia
dobrobutu radians'koho narodu. Kyiv, 1961. 46 p. (Tovarystvo
dlia poshyrennia politychrykh i naukovykh znan' Ukrain's'koi RSR.
Ser.3, no.2) (MIRA 14:7)
(Labor and laboring classes)

VAYNBERG, M.T.S.; BRASLAVSKIY, I.M. [Braslavs'kyi, I.M.], doktor ekonom.
nauk, otv. red.; SKRIPNIK, V.T., red.; ZELENKOVA, Ye.F., tekhn.
red.

[New phase in the general crisis of capitalism] Novyi etap zahal'noi
kryzy kapitalizmu. Kyiv, 1961. 46 p. (Tovarystvo dlia poshyrennia
politychnykh i naukovykh znan' Ukrain'skoi RSR. Ser.4, no.9)
(MIRA 14:11)

(Economic conditions)

GOLOVACH, Anatoliy Varfolomeyevich [Holovach, A.V.]; IVANITSKIY, Vladimir
Ivanovich [Ivanyts'kyi, V.I.]; RUBANOVSKIY, P.M. [Rubanovs'kyi, P.M.],
otv. red.; SKRIPNIK, V.T. [Skrypnyk, V.T.], red.

[Commodity and monetary relations during the period of large-scale
building of communism] Tovarno-hroshovi vidnosyny v period rozhormu-
toho budivnytstva kominizmu. Kyiv, 1961. 46 p. (Tovarystvo dlia
poshyrennia politychnykh i naukovykh znan' Ukrain's'koi RSR. Ser.3,
no.3) (MIRA 14:7)

(Russia—Commerce)

MITYUKOV, Aleksandr Georgiyevich [Mitiukov, O.H.]; SLYUSARENKO, Yu.O.,
otv.red.; SKRIPNIK, V.T., red.

[On the road to the victory of communist labor] Na shliakhu
do peremogy kommunistychnoi pratsi. Kyiv, 1961. 46 p.
(Tovarystvo dlia poshyrennia politychnykh i naukovykh znan'
Ukrains'koi RSR. Ser.1, no.7). (MIRA 14:6)
(Labor and laboring classes)

KIRIVICH', Pavel Vasil'yevich [Kryven', P.V.], prof.; ZHURBA, S.I., otv. red.;
SKRIPNIK, V.T. [Skrypnyk, V.T.], red.; MATVIICHUK, O.A., tekhn.
red.

[Law on the increasing production of the means of production and the
establishment of the economic and technical foundation of communism]
Zakon perevazhnoho rozvytku vyrobnytstva zasobiv vyrobnytstva i stvoren-
nia material'no-tekhnichnoi bazy komunizmu. Kyiv, 1961. 47 p. (To-
varystvo dlia poshyrennia politychnykh i naukovykh znan' Ukrain's'koi
RSR. Ser.3., no.7) (MIRA 14:9)

(Economics)

ALEKSANDROVA, Valentina Petrovna | kand. ekonom. nauk; KHARCHENKO, P.F.,
kand. ekon. nauk, otv. red.; SKRIPNIK, V.T. [Skrypnyk, V.T.], red.;
MATVIICHUK, O.A., tekhn. red.

[Economic results of the technological reconstruction of industry]
Ekonomichna efektyvnist' tekhnichnoi rekonstruktsii v promyslovosti.
Kyiv, 1961. 48 p. (Tovarystvo dlia poshyrennia politychnykh i na-
ukovykh znan' Ukrain's'koi RSR. Ser.3, no.9) (MIRA 14:9)
(Technological innovations) (Automation)

SAY, Nikolay Petrovich [Зай, М.П.]; ZADOROZHNIY, V.K. [Zadorozhni, V.K.],
kand.ekon nauk, otv.red.; SKRIPNIK, V.T. [Skrypnyk, V.T.], red.

[Consumers cooperative societies in the Ukraine during the seven-
year plan] Spozhyvcha kooperatsiia Ukraïny v semyrichtsi. Kyiv,
1961. 49 p. (Tovarystvo dlia poshyrennia politychnykh i
naukovykh znan' Ukraïns'koi RSR. Ser.3, no.10) (MIRA 14:11)
(Ukraine--Cooperative societies)

LYPA, Aleksey Lavtent'yevich, prof.; BILOKON', I.P., kand. biolog. nauk,
otv. red.; SKRIPNIK, V.T. [Skrypnyk, V.T.], red.; MATVIICHUK, O.A.,
tekh. red.

[Gardens and parks of the Ukraine; national parks and their
preservation] Sady i parky Ukrainy; parky-pamiatky ta ikh okho-
rona. Kyiv, 1961. 50 p. (Tovarystvo dlia poshyrennia politych-
nykh i naukovykh znan' Ukrain's'koi RSR. Ser.6, no.21)

(MIRA 15:1)

(Ukraine--Parks)

PANCHENKO, Nikolay Filippovich, kand. ekonom. nauk; LISNICHYI, K.L.
[Lisnychyi, K.L.], dots., otv. red.; SKRIPNIK, V.T., [Skrypnyk,
V.T.], red.; MATVIICHUK, O.A., tekhn. red.

[Expanded reproduction on collective farms] Rozshirenne vidtvo-
rennia v kolhospakh. Kyiv, 1961. 51 p. (Tovarystvo dlia po-
shyrennia politychnykh i naukovykh znan' Ukrain's'koi RSR. Ser.5,
no.20) (MIRA 14:12)

(Ukraine—Collective farms)

CHUKHNO, Anatoliy Andreyovich, kand. ekonom. nauk; CHERNENKO, M.S., dots.,
otv. red.; SKRIPNIK, V.T., red.; MATVIICHUK, O.A., tekhn. red.

[Principle of material self-interest and the communist attitude
toward work] Pryntsyp material'noi zainteresovanosti i komuni-
stychne stavlennia do pratsi. Kyiv, 1961. 51 p. (Tovarystvo dlia
poshyrennia politychnykh i naukovykh znan' Ukrain's'koi RSR. Ser.1,
no.17) (MIRA 14:11)

(Work)

(Wages)

SAVCHENKO, Sergey Grigor'yevich; ZATSEPIN, V.G.[Zatsepilin, V.H.],
kand. ekonom. nauk, dots., otv. red.; SKHIFNIK, V.T.,
[Skrypyk, V.T.], red.; MATVIICHUK, O.A., tekhn. red.

[Man is the most important productive force of human society]
Liudyna - holovna produktyvna syla suspil'stva. Kyiv, Tova-
rystvo dlia poshyrennia polit. i naukovykh znan' URSR, 1962.
43 p. (MIRA 15:11)

(Economics) (Work)

1. SKRIPNIK, V. V.
2. USSR (600)
4. Viticulture
7. Principles in shaping up grape vines. Vin. SSSR 13, No. 4, 1953.

9. Monthly List of Russian Accessions, Library of Congress, April 1953. Unclassified.

SKRIPNIK, Ya.P., inzhener.

Improving administrative conditions to encourage Ministry of Food
Industry. Izobr. v SSSR 1 no.6:39-40 D '56. (MLBA 10:4)
(Food industry)

SKRIPNIK, Ya.P.

Information. Spirt.prom. 25 no.1.47 '59. (MIRA 12:2)
(Distilling industries)

SKRIPNIK, Ya.P.; LERNER, I.M.

For widespread use of new methods and equipment. Spirt. prom.
25 no.5:6-9 '59. (MIRA 12:10)
(Distilling industries--Equipment and supplies)

SKRIPNIK, Ya. P.; LERNER, I.M.; KONKIN, A.V.; BARAMIDZE, G.A.

Manufacturing protein fodder concentrates, antibiotics, and
vitamins from alcohol production wastes. Spirt.prom. 27
no.4:21-25 '61. (MIRA 14:6)
(Distilling industries--By-products)

OPREDEL', Ye. I.

Skrinnik, Ye. I. "On the kinetic reaction of gasoline alkylation by propene,"
Trudy Gosn. nefh. in-ta, ser. osium 6, 1948, n. 73-83 - Bibliog: 5 items

30: H-2702, Leningradskiy Zhurnal'nykh Statex, No. 1, 1949.

SKRIPNIK, E. I.

24951 SKRIPNIK, E. I. -Puti Rekonstruktsii Polimerizatsionnykh Ustanovok
Dlya Proizvodstva Izopropilbenzola. Trudy Grozn. Heft, In-Ta, SB.7,
1949, S. 187-92.

Z:- Rezinovaya Promyshlennost'

So: Letopis', No 33, 1949

SKRIPNIK, YE. I.

USSR/Chemical Technology. Chemical Products and Their Application -- Treatment of natural gases and petroleum. Motor fuels. Lubricants, I-13

Abst Journal: Referat Zhur - Khimiya, No 2, 1957, 5495

Author: Skripnik, Ye. I., Isagulyants, V. I., Shtof, I. K.

Institution: None

Title: Thermal Stability of Sulfur Compounds of Kuybyshev Oblast Petroleum

Original

Publication: Khimiya i tekhnol. topliva, 1956, No 5, 1-8

Abstract: A study has been made of the effect of temperature on thermal stability of sulfur compounds of the 10 principal petroleum varieties of the Kuybyshev Oblast, in which the sulfur content varied from 0.567 to 3.400%, content of dissolved H₂S was 0.005-0.25%, and elemental S 0.00-0.76%. The apparatus for determination of thermal stability of sulfur compounds in crude petroleum consisted of a 2-liter, round bottom, flask with a 300 mm long packed column. Petroleum was heated to the required temperature (within the 100-400° range, at intervals

Card 1/3

USSR/Chemical Technology. Chemical Products and Their Application -- Treatment of natural gases and petroleum. Motor fuels. Lubricants, I-13

Abst Journal: Referat Zhur - Khimiya, No 2, 1957, 5495

Abstract: of 50°) and was held at this temperature for 30 minutes. For each temperature a determination was made, of the amount of H₂S formed, of low boiling mercaptanes and of the amount of S in distillate and residue. It is shown that in all petroleum varieties of Kuybyshev Oblast H₂S is found in dissolved state, but in the petroleum distillation processes the principal effect is produced by H₂S of secondary origin. All the investigated varieties of petroleum are characterized by a relatively high thermal stability of sulfur compounds in the temperature range up to 150°. Petroleum varieties of Upper Devonian are characterized by a high thermal stability of sulfur compounds up to 350°. Further increase of the temperature increases the formation of H₂S by several times, therefore on distillation of petroleum of the Kuybyshev Oblast the maximum permissible temperature at the exit from the atmospheric portion of the furnace must be considered to be 350°. Petroleum varieties of the carboniferous series are characterized by the formation of considerable amounts of H₂S already at 190-210°. The different behavior of sulfur compounds of

Card 2/3

15-57-5-6560

Translation from: Referativnyy zhurnal, Geologiya, 1957, Nr 5,
p 122 (USSR)

AUTHORS: Dement'yev, G. K., Skripnik, Ye. I.

TITLE: The Production of Cold Asphalt Concrete From Local Raw
Material (Polucheniye kholodnogo asfal'tobetona iz
mestnogo syr'ya)

PERIODICAL: Sb. nauch. tr. Kuybyshevsk. industr. in-t, 1956, Nr 6,
Book 2, pp 257-365.

ABSTRACT: The authors recommend the following local materials for
the preparation of cold asphalt cement: 1) the
asphaltic sandstones of the Bakhilova glade "Bakhilova
burned-over area"; 2) the limestones from the "Mogutova
gora" deposit and from other deposits in the Kuybyshev
district. Studies have shown that the asphaltic
sandstones of Bakhilova glade (Bakhilova burned-over
area) and the heavy oils of the Sergiyevskiy rayon
(region) are fully suitable for producing cold asphalt
cement. S. P. Sh.

Card 1/1

SKRIPNIK, Ye.I.; NEMKOV, A.V.

Removing hydrogen sulfide from diesel fuels produced from sulfur-bearing oils. Khim i tekhn. topl. i masel 3 no.3:53-56 Mr '58.
(MIRA 11:3)

I.Kuybyshevskiy industrial'nyy institut.
(Diesel fuels) (Hydrogen sulfide)

90V/2015

90V/2015

90V/2015

Academiya nauk SSSR. Mashinostroyeniye, Ufa

Khimiya sverkhchistokh sovremenniy, sodrazhabsobliksya v neftyakh i nefteproduktakh; [sterily III nachroy sessii] (Chemistry of Sulphur Organic Compounds Contained in Petroleum and Petroleum Products; [Papers of the Third Scientific Session]) Moscow, Izd-vo AN SSSR, 1959. 376 p. 2,000 copies printed. Errata slip inserted.

Editorial Board: R.D. Cholentsev (Dep. Ed.) Doctor of Chemical Sciences; G.B. Gal'pern, Doctor of Chemical Sciences; Ya. B. Chernikov, Doctor of Chemical Sciences; V.V. Panov, Candidate of Technical Sciences; and V. P. Kozlov, Candidate of Chemical Sciences; Ed. of Publishing House: I.I. Kuznetsov; Tech. Ed.: T.P. Polozovaya.

FOREWORD: This book is intended for chemists, chemical engineers, and technicians specializing in the chemistry of petroleum.

CONTENTS: The book is a collection of papers presented at the Third Scientific Session on the Chemistry of Organic Sulphur- and Nitrogen Compounds Contained in Petroleum and Petroleum Products. The scientific session was held in Ufa, U.S.S.R., 1957. The book consists of six sections: 1) Synthesis, characterization, and analysis of organic sulfur compounds; 2) Separation and composition of organic sulfur compounds contained in petroleum and petroleum products; 3) Transformation of organic sulfur compounds by thermal catalysis; 4) Corrosive properties of and tar formation in sulfur-containing petroleum and petroleum products; 5) Uses of organic sulfur compounds and hydrogen sulfide; 6) Physiological properties of organic sulfur compounds. No personal titles are mentioned. There are 315 references, of which 179 are Soviet, 116 English, 5 French, 12 German, and 1 Czech.

TABLE OF CONTENTS

From the Editorial Staff 3

Introduction 5

Chemistry of Sulphur Organic Compounds (Cont.) 90V/2015

Cholentsev, R.D., L.M. Gabullina. Kinetics of Transformation of Dibutylsulfide in the Presence of an Aluminum-oxide Based Catalyst 183

Cholentsev, R.D., V.I. Bromov. Kinetics of Transformation of cis-2,5-Di-n-propylthiophane in the Presence of an Aluminum-oxide Based Catalyst 200

Cholentsev, R.D., D.M. Korikov. Kinetics of Hydrogenolysis of 4-Nonylthiophane in the Presence of a Platinum Catalyst 219

Cholentsev, R.D., A.V. Moshkina. Kinetics of Hydrogenolysis of Dibenzothiophene in the Presence of an Aluminum-Cobalt-Molybdenum Catalyst 226

Shripilov, Ye.I., Ye.G. Dyrin. Catalytic Refining of Straight-run Gasolines by Removing Organic Sulfur Compounds 259

Card 7/10

66

S/152/62/000/002/003/004
B126/B138

AUTHORS: Skripnik, Ye. I., Simileyskiy, A. Z.

TITLE: Ultrasonic dehydration of crude oil

PERIODICAL: Izvestiya vysshikh uchebnykh zavedeniy. Neft' i gaz, ⁵/₈ no. 2,
1962, 81-85

TEXT: The ultrasonic method for dehydrating heavy crudes with a high sulfur content proved very satisfactory and was also successfully tested on other types of crude at refineries in the Kuybyshevskaya oblast'. The test unit (Fig.) consisted of a 1-liter flask with a propeller stirrer and a concentrator transmitting the ultrasonic vibrations; the vibrator (frequency, 15-17 kc/sec) was fed from a tube generator of 1.5 kw. 0.6% $H_2K(NChK)$ demulsifier and 10% mild NaOH or Na_3PO_4 washing solution were added to the crude heated to 90-96°C. The crude was then subjected to ultrasonic vibrations of 0.1-0.12 w/cm² for 15 min; subsequently, it was allowed to settle for 1 hr at 80°C. A complete dehydration of all types of crude is achieved and the method is recommended as highly

Card 1/32

Ultrasonic dehydration of crude oil

S/152/62/000/002/003/004
B126/B138

efficient and economic. However, complete desalting can only be achieved by the ultrasonic method combined with other techniques. The problem of complete desalting of crudes by the ultrasonic method alone is now under study. The work of Ya. I. Frenkel', V. M. Fridman and VNIINP is mentioned. There are 1 figure, 2 tables, and 6 references, 4 Soviet and 2 non-Soviet. ✓

ASSOCIATION: Kuybyshevskiy industrial'nyy institut im. V. V. Kuybysheva
(Kuybyshev Industrial Institute imeni V. V. Kuybyshev)

SUBMITTED. October 16, 1961

Fig. Diagram of laboratory unit. Legend: (1) 1-liter flask; (2) stirrer; (3) cooler; (4) thermometer; (5) bath; (6) concentrator; (7) vibrator; (8) separating vessel; (9) throttle; (10) generator; (11) BCA-6 (VSA-6) rectifier; (12) water.

Card 2/12

Dehydration and desalting of...

S/152/62/000/010/001/001
B126/B186

(maximum 2 atm), washing with a 1% solution of trisodium phosphate, mixing with a propeller stirrer for 1 - 2 minutes. The same conditions apply for wet crudes and those with a high salt content, > 2000 mg/l, but in this case the two-stage processing has to be used. If crudes are processed in one stage, higher temperatures (160 - 200°C) are necessary; the reagent is an aqueous caustic soda solution. The final ultrasonic processing which results in a complete dehydration must be carried out at a low frequency, 15 - 17 kc, and at a rather low intensity amounting to 0.10 - 0.12 w/cm², so as to produce sound waves of greater length; settling time is 1 hr at 80°C. The tests showed that heavy, sulfurous and highly sulfurous crudes, forming very stable emulsions, can be desalted and dehydrated by this method. There are 7 tables.

ASSOCIATION: Kuybyshevskiy politekhnicheskiy institut im. V. V. Kuybysheva
(Kuybyshev Polytechnic Institute imeni V. V. Kuybyshev)

SUBMITTED: May 24, 1962

Card 2/2

SKRIPNIK, Ye.I.; SIMILEYSKIY, A.Z.; MAKARENKO, M.A.; GRIGOR'YEVA, K.M.;
DOLGANOV, V.I.

Dehydration and desalting of sweet and sour petroleums. Izv.
vys. ucheb. zav.; neft' i gaz 5 no.10:67-70 '62.

(MIRA 17:8)

1. Kuybyshevskiy politekhnicheskii institut imeni Kuybysheva.

SKRIPNIK, Ye.I.; DOIGANOV, V.I.; FUKIN, N.A.

Dehydrating heavy petroleums at high temperatures in field conditions. Izv. vys. ucheb. zav.; neft' i gaz 7 no.7:85-87 '64. (MIRA 17:9)

1. Kuybyshevskiy politekhnicheskii institut im. V.V. Kuybysheva.

SKRIPNIK, Ye. I.; DOLGANOV, V. I.; SIMILEYSKIY, A. Z.; DYKIN, V. G.

Demulsifying oils using ultrasonics. Neft. khoz. 41 no. 7:
51-56 J1'63 (MIRA 17:7)

SKRIPNIK, Ye.I.; DOLGANOV, V.I.; FOKIN, N.A.

Some problems concerning the demulsification of petroleum in
the field. Neft. khoz. 43 no.5:41-44 My '65. (MIRA 18:6)

ACC NR: AT6033841

SOURCE CODE: UR/3209/66/000/002/0084/0086

AUTHOR: Skripnik, Ye. I. (Candidate of technical sciences); Dolganov, V. I. (Engineer); Semileyskiy, A. Z. (Engineer); Fokin, N. A. (Engineer); Dyrin, V. G. (Candidate of technical sciences)

ORG: none

TITLE: Defoaming of crudes by a new method using ultrasound

SOURCE: Ukraine. Ministerstvo vysshego i srednogo spetsial'nogo obrazovaniya. Akustika i ul'trazvuk, no. 2, 1966, 84-86

TOPIC TAGS: crude petroleum, ultrasonic petroleum purification

ABSTRACT: A new method for dehydrating and desalting crudes by using ultrasound has been developed at the Kuybyshev Polytechnic Institute. The method was tested on a semi-works scale in the defoaming unit of the Radayevka Petroleum Plant. The unit, which has a capacity of 700 ton per day, and the procedure are briefly described in the source. The experiments were conducted with heavy high-sulfur Radayevka crudes which contained, on the average, 78,000 mg/l salts and 23% water. Ultrasonic defoaming was carried out as a one-step operation at 95-100C using the NChK anti-foaming agent whose consumption varied from 6 to 8 kg per ton. After defoaming, the crudes were allowed to settle for 24 hr at 40-45C. The ultrasonic

Card 1/2

SKRIPNI KYU. A.

SOV/144-58-9-18/18

AUTHOR: Gikis, A. F., Candidate of Technical Sciences, Docent
TITLE: Inter-University Scientific Conference on Electric Measuring Instruments and Technical Means of Automation (Mezhvuzovskaya nauchnaya konferentsiya po elektrozmeritel'nym priboram i tekhnicheskim sredstvam avtomatiki)

PERIODICAL: Izvestiya Vysshikh Uchebnykh Zavedeniy, Elektromekhanika, 1958, Nr 9, pp 130-135 (USSR)

ABSTRACT: The conference was held at the Leningradskiy elektrotekhnicheskiy institut imeni V. I. Ul'yanova (Lenin) (Leningrad Electro-technical Institute imeni V. I. Ul'yanov (Lenin)) on November 11-15, 1958. The representatives of eleven higher teaching establishments and three research institutes participated and a large number of specialists of various industrial undertakings were present.

Docent A. B. Rozenkrants (Ivanovo Power Institute imeni V. I. Lenin) in his paper "Automatic a.c. bridges and compensators" emphasized the acute demand for automatic instruments for comparing alternating currents. The fields of application of such instruments could be considerably extended if they would be designed for operating at a wider frequency range. He considered it

advisable to base the automation of such comparison instruments on using a phase sensitive indicator and has described a bridge of this type which was built at the Ivanovo Power Institute.

Yu. A. Skripnik (Kiyev Polytechnical Institute) reported on a phase sensitive switch indicator of semi-equilibrium of a.c. bridges.
Professor L. P. Kulikovskiy (Kuybyshev Industrial Institute imeni V. V. Kuybyshev) presented a paper on "Some new types of a.c. compensators".
Assistant Ya. I. Tsyvakov (Novocherkassk Polytechnical Institute imeni B. Ordzhonikidze) presented the paper "Certain problems of designing automatic d.c. potentiometers of high accuracy with numerical reading off".

SKIRPNIK, Yu.A., aspirant

Switching-type phase-sensitive indicator of the semiequilibrium
of bridge circuits. Izv.vys.ucheb.zav.; prib. 2 no.5:42-45
'59. (MIRA 13:5)

1. Kiyevskiy ordena Lenina politekhnicheskoy institut.
Rekomendovana orgkomitetom mezhvuzovskoy nauchnoy konferentsii
po elektroizmeritel'nym priboram i tekhnicheskim sredstvam
avtomatiki.

(Bridge circuits) (Electric measurements)

SKRIPNIK, Yu. A.

Authors' Certificates, *Elektrosvyaz*, 1979, No. 9, 07/106-59-2-10/11

I. A. Khraban - "A Method for the Separation of a Narrow-bandwidth, Weak Signal from Strong, Wide-spectrum, Background Noise"; M. P. Khvorostenko - "Resonance Amplifier Type of Oscillator with Shock Excitation"; L. N. Deryugin and B. Ya. Myakishev - "Diffraction, Reflecting, Side-radiation Antenna with a Controlled Polar Diagram Over a Wide Sector"; P. B. Beleznev and G. B. Glebovich - "Construction of a Magnetostriction Transducer for Magnetostriction Delay Lines"; L. G. Loffman - "A Television Co-axial Separating, Bridge-type, Filter"; Ye. U. Badyr' - "Apparatus for Pulling a String along Pipes"; B. A. Barskiy and Ye. N. Kuzin - "A Differential Transformer or Choke for Measurement Bridges"; N. N. Ulanovskiy and Ye. V. Anurin - "Apparatus for Measurement of the Magnitude of the Reverse-current of Semiconductor Rectifier Elements"; Yu. A. Skripnik - "A Method for Determination of the Phase Angle Between Two Voltages and Apparatus for Realization of this Method".

Card 2/2

Yu. A. Slepyan

6(2), 9(6)
AUTHOR: Anisimov, V. I., Engineer
507/119-99-5-13/15
TITLE: The Inter-university Scientific Conference on Electrical Measuring Instruments and the Technical Means of Automation (Mashinovskaya avtomatizatsiya konformatsionnykh i elektromeritskikh priborov i tekhnicheskimi sredstvami avtomatizatsii)

PERIODICAL: Priroda, 1959, No. 5, pp. 30-31 (USSR)
ABSTRACT: This conference was held at the Leningradskiy elektrotekhnicheskii institut im. I. Ul'yanova (Leningrad Institute of Electrical Engineering named V. I. Ul'yanov (Lenin)) in November 1959. It was attended by more than 300 representatives of scientific research institutes, of the OGB, of the SPS (Special Design Office), of industries and other organizations. More than 30 lectures were held at the meetings of this conference. In opening the conference K. P. Boroditskiy underlined the outstanding importance of automation and of measuring technique for the development of national economy. E. M. Shumilovskiy in his lecture reported on "The Trends in the Development of Methods of Radioactive Control of Production Data" and outlined the extensive

possibilities of using radioactive methods in such control. Ye. G. Shirmanov and S. A. Spoktor reported on a new method of measuring heavy direct currents with the help of the nuclear magnetic resonance. M. A. Korenblat investigated problems of the application of magnetic amplifiers in automation and in measuring techniques. A. G. Gerasimov reported on the present-day state of the prospects of automatic control techniques. Ye. S. Rybitskiy offered some peculiar features of and the prospects of discrete automatic pulse systems. The lecture by M. G. Boldyrev dealt with problems of stability of discrete automatic systems. V. B. Ushakov discussed analog computers and of development of mathematical models of computers and of computers designed for industrial use. The report by V. S. Ryabinin dealt with an electronic analog correlator for the calculation of correlation functions in the investigation of winds in the ionosphere. E. I. Iurgensov reported on the most important methods, which guarantee both an active and passive freedom from disturbances in discrete selective systems. Ye. V. Krosel'tsev discussed problems of averaging, differentiation, and balancing of time-dependent functions which can be represented by electric signals. V. P. Stetsko, A. V. Franks and Ye. M. Dushin reported on instrument transformers for automatic instruments with automatic recording. V. B. Ushakov and E. M. Kopylov reported on a computer for the automatic centralized control of production specifications. G. M. Yeliseyev discussed fundamental problems of the theory of automatic measurement of non-electric quantities. Ye. I. Kopylov dealt with problems of the non-accuracy of bridge potentiometers with high accuracy. D. I. Malov discussed a high-precision automatic d. c. bridge for digital computations. The participants in the Congress listed below discussed the following subjects (which, however, are not given by the exact wording of the titles):
V. A. Ivanov The planning of measuring elements for

Card 1/5

Card 2/5

Card 3/5

PAGE - 2

SOV/19-59-3-13/15

The Inter-university Scientific Conference on
Electrical Measuring Instruments and on the Technical
Means of Automation

accurate automatic quotient-type meters in digital computations.
 B. E. Charchakov: Methods of determining the dynamic errors
 of a magnetic oscilloscope by simulation. P. P. Ornatyev:
 Problems in measuring electric quantities at various
 frequencies by electrical indicating instruments of various
 systems. V. Kulikovskiy: New types of a. c. compensators
 systems. A. S. Zhukovskiy: Automatic bridges and a. c. compensators in
 systems. A. S. Zhukovskiy: Automatic bridges and a. c. compensators in
 systems for the control of the parameters of a. c. compensators
 suited for production. L. I. Stolov: Some methods in measuring
 inductance and inductance inductance. Yu. A. Skripunko: The
 method of induction motors which can be used in measuring
 technique and automation. D. A. Baryshnikov: Ultrasonic
 pressure and liquid level measurement. Yu. A. Skripunko: The
 circuitry of a phase-sensitive bridge. M. P. Suvirdi: The application
 of instruments with magnetic bridges, which permit a
 considerable simplification of the design of the apparatus
 and the circuitry. V. A. Seronov: Method of increasing the
 sensitivity of oxygen gas analyzers. P. V. Soritskiy:
 Design of apparatus for measuring vibration quantities.
 V. V. Pasyanov: Methods of non-linear semiconductor
 resistors and possibilities of their application. G. N.
 circuitry in automation and measuring techniques with
 semiconductor triodes. Ya. V. Novosel'tseva, M. A. Zhirnov,
 Fe. I. Afanasyev, Ya. P. Ugryumov: Precision semiconductor
 frequency meter operating according to the pulse-counting
 principle. P. G. Kikita and A. B. G. Bladnikov: Methods of
 measuring the magnetic field strength by means of blazeth
 resistors and transducers operating on the Hall effect
 principle. A resolution was adopted by the closing plenary
 meeting of the Conference, which indicates ways of
 improving and coordinating scientific research work in the
 field of automation, electric measuring- and computing
 technique.

Card 4/5

Card 5/5

8(2)
9(6)

SOV/146-2-5-6/19

AUTHOR: Skripnik, Yu.A., Post-Graduate Student

TITLE: Phase-Sensitive Switching Indicator, of Half-Balance Bridge Circuits

PERIODICAL: Izvestiya vysshikh uchebnykh zavedeniy, Priboro-stroyeniye, 1959, Nr 5, pp 42-45 (USSR)

ABSTRACT: At the Kafedra izmeritel'nykh ustroystv KPI (The Chair of Measuring Instruments of the KPI) the author developed a new switching-type phase-sensitive (modulating) circuit for high accuracy determination of a 90° phase displacement between compared voltages. The circuit facilitates construction of sensitive high-stability balancing indicator and the obtainment of more accurate measurements by means of half-balanced bridges. The design and operation of the phase-sensitive indicator (Figure 1, circuit diagram) are described in detail. It consists of an input transformer,



Card 1/3

SOV/146-2-5-6/19

Phase-Sensitive Switching Indicator of Half-Balance Bridge Circuits


an automatic commutator with two pairs of synchronous contacts, a phase-sensitive double-triode cascade, an electronic band filter on the left half of the double triode, a cathode detector on the right half, a low-frequency amplifier with transformer output, and a d.c. micro-ammeter. The indicator has an accuracy of 1 - 2 minutes (at 1000 cycles) at compared voltage levels of 0.2-1. The article was recommended by the Orgkomitet mezhvusovskoy nauchnoy konferentsii po elektroizmeritel'nym priboram i tekhnicheskim sredstvam avtomatiki (The Orgkomitet of the inter-vuz Conference on Electro-Measuring Devices and Technical Means of Automation). There are 1 diagram and

Card 2/3

SOV/146-2-5-6/19

Phase-Sensitive Switching Indicator of Half-Balance Bridge Circuits

2 Soviet references.

ASSOCIATION: Kiyevskiy ordena Lenina politekhnicheskii institut
(The Kiyev Polytechnical Institute of the Order of Lenin) 

SUBMITTED: November 15, 1958

Card 3/3

9,6000

S/109/60/005/009/021/026
E140/E455

AUTHOR: Skripnik, Yu.A.

TITLE: Broadband Zero-Modulation Method of Measuring Phase Difference

PERIODICAL: Radiotekhnika i elektronika, 1960, Vol.5, No.9,
pp.1542-1543

TEXT: The note concerns an improvement of the apparatus described in earlier work (Ref.1), permitting the measurement of phase difference in the range 0 to 360° to high precision, in a wide band of frequencies. There are 1 figure and 1 Soviet reference.

ASSOCIATION: Kiyevskiy politekhnicheskiy institut (Kiyev Polytechnical Institute)

SUBMITTED: February 22, 1960

✓B

Card 1/1

86739

S/120/60/000/006/014/045
E041/E335

9.3250 (1154 ONLY)
9.2540 (1020, 1048)

AUTHOR: Skripnik, Yu.A.

TITLE: Dynamic Power Converter

PERIODICAL: Pribory i tekhnika eksperimenta, 1960, No. 6,
pp. 53 - 55

TEXT: Ordinary static power converters producing a direct current analogue output are inconvenient at power levels less than 100 mW because high gain amplifiers are required. At even lower power levels zero wander is a limitation. These disadvantages may be overcome by using the dynamic method with the circuit of Fig. 1. A voltage proportional to the load current is amplified in the paraphase amplifier \mathcal{N}_1 and applied in balanced form to the twin triode \mathcal{N}_2 , whose anodes are switched at a low rate (15 - 20 cps) from the source \mathcal{N}_3 . The common-cathode output from \mathcal{N}_2 is taken to one grid of the tube \mathcal{N}_3 . The other grid of this tube receives a voltage proportional to the load voltage. As a
Card 1/4

✓

86739

S/120/60/000/006/014/045
E041/E335

Dynamic Power Converter

result of the low-frequency switching the anode voltage of \mathcal{U}_3 is alternately the sum and difference of the current and voltage vectors. This square-wave modulated signal is square-law detected in $K\Delta$ and amplified in Y , which is tuned to the low-frequency source. The amplitude of this final signal is proportional to the load power. Fig. 2 is a practical form of the circuit (low cosine wattmeter) used for measuring small power factors in ferrites over the range 0.4 to 20 kc/s. The switching is carried out by the polarized relay $P\Pi-4$ and the final detection is synchronous using a polarized relay. The nominal input voltage is 100 mV. At frequencies below 400 cps the switching rate is reduced to 2 cps. Power factors between 10^{-2} and 10^{-4} can be measured.

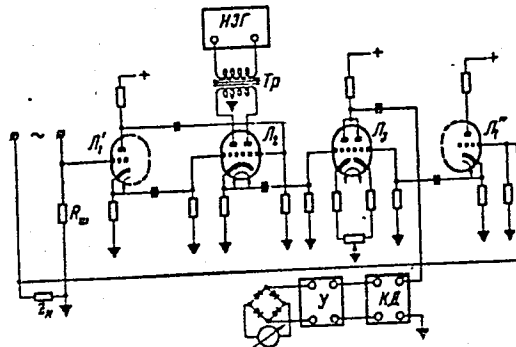
Card 2/4

86739

S/120/60/000/006/014/045
E041/E335

Dynamic Power Converter

Another useful application is the measurement of harmonic power loss at high inductions.
There are 2 figures



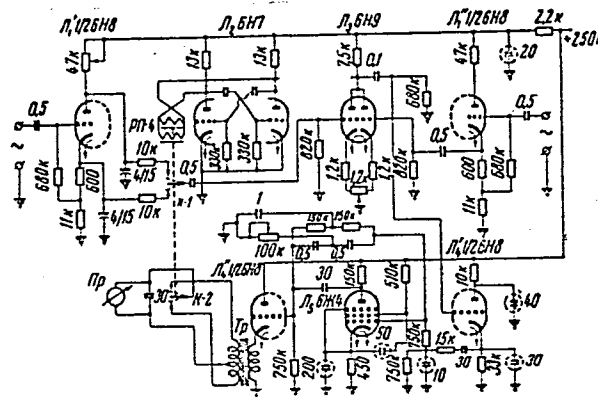
Puo. 1

Card 3/4

86739

s/120/60/000/006/014/045
E041/E335

Dynamic Power Converter



ASSOCIATION: Kiyevskiy politekhnicheskiy institut
(Kiyev Polytechnical Institute)

SUBMITTED: November 6, 1959

Card 4/4

ORNATSKIY, P.P.; SKRIPNIK, Yu.A.; SUVID, N.F.

Methods and units for accurate indication of a 90° phase shift.
Izm. tekhn. no. 8:24-29 Ag '60. (MIRA 13:9)
(Electric measurements)

85106

S/105/60/000/009/009/009/XX
B012/B058

9.2100 (1135, 1145, 1331)

AUTHOR: Skripnik, Yu. A., Engineer

TITLE: Approximation Method for the Calculation of Wire Resistors
With Modulation Frequency Control

PERIODICAL: Elektrichestvo, 1960, No. 9, pp. 83-85

TEXT: Wire resistors which are used in phase-insensitive circuits are studied in this paper. Nowadays the same demands are made on them as on resistors in phase-sensitive circuits. The attempt not to transform such resistances into "reactive impedances" leads to an increase of the frequency error of the modulus of resistance and limits the applicability of these resistors. An increase of the "reactive impedance" and therefore also of the time constant, compensates the frequency changes of the modulus of total resistance and greatly increases the accuracy of the phase-insensitive broad-band instruments. Referring to the fact that all types of windings can be regarded as a combination of bifilar windings, the present study is based on an individual bifilar element of finite length. The frequency error of the wire resistance modulus, which has a certain

Card 1/3

4X

85106

S/105/60/000/009/009/009/XX
B012/B058

Approximation Method for the Calculation of
Wire Resistors With Modulation Frequency
Control

residual reactance, is studied. Formula (1) is written down for the resistance of the bifilar element and formula (3) for the approximate value of the modulus of total resistance. It is assumed that the effective resistance r of the wire resistor is equal to its resistance R for d.c., and formula (4) is written down for the resulting error δ_r . It may be seen from this formula that both an increase and a decrease of the active component of the total resistance is possible, according to the ratio between capacitance and inductance. If $\tau_C \gg \tau_L$, the effective resistance can be greatly reduced ($\delta_r < 0$). If the modulus of total resistance is assumed to be equal to the resistance R for d.c., an error δ_r , formula (5), is tolerable. It follows from this formula that the changes of the reactive component proportional to $\tau_L \tau_C^{-1/3}$ as well as of the effective component proportional to $\tau_L \tau_C^{-1/5}$ are of the same order of magnitude. These changes depend equally on the frequency, and therefore influence the change of the modulus of total resistance to the same degree. The condition under which no frequency error of the modulus occurs, is studied.

41

Card 2/3

Approximation Method for the Calculation of Wire Resistors With Modulation Frequency Control S/105/60/000/009/009/009/XX B012/B058

A certain residual reactive resistance ($Z=R$) is considered thereby. Formula (7) is obtained: $\chi_L \approx 1/6 \chi_C$. This formula is valid for sound- and higher frequencies. It is shown that high-ohmic resistors can be produced much easier by a modulus compensation than low-ohmic ones with which inductance is prevailing. For modulus-compensated resistors it is suitable to use a bifilar winding, since capacitance predominates in it. Formula (13) is written down for determining the loop width D . For high-ohmic resistors, a reduction of the winding capacitance is achieved by sectionalization, that is, by connecting bifilar elements in series. Formula (15) is written down for determining the number N of sections. Wire diameter and loop width are assumed, and N is calculated. Formula (15) is an approximate formula which is, however, sufficiently accurate for practical purposes. More exact calculations must be based on formula (7).

ASSOCIATION: Kiyevskiy politekhnicheskii institut (Kiyev Polytechnic Institute)

SUBMITTED: August 8, 1959

Card 3/3

UX

SKRIPNIK, Yu. A.

Cand Tech Sci - (diss) "Principles of the construction of single-channel modulation equipment for measuring complex values. (Methods of periodic comparison of variable voltages, currents, and complex resistances)." Moscow, 1961. 15 pp; (Ministry of Higher and Secondary Specialist Education RSFSR, Moscow Order of Lenin Power Inst); 180 copies; price not given; list of author's works on pp 14-15 (15 entries); (KL, 10-61 sup, 218)

S/194/62/000/007/154/160
D413/D308

AUTHOR: Skripnik, Yu.A.

TITLE: Techniques and apparatus for accurate indication of equality and antiphase relation between two AC voltages

PERIODICAL: Referativnyy zhurnal. Avtomatika i radioelektronika, no. 7, 1962, abstract 7-7-281 1 (Izv. Kiyevsk. politekhn. in-ta, Sb. tr. aspirantov Elektrotekhn. Fak., no. 1, 1961, 137 - 146)

TEXT: The paper considers the errors in indication of equality of amplitudes and of in-phase or antiphase relation between two voltages using an oscilloscope or a summation stage. The error in amplitude resulting from a 10 % scatter in valve characteristics is of the order of 3 %. The switching of summation circuit inputs is examined. The difference between the branches of the summation circuit is artificially increased. Switching takes place at a very low frequency (1 - 2 c/s). If the amplitudes are unequal or the voltages are not accurate in phase (or antiphase), then an AM at the switch-
Card 1/2

Techniques and apparatus for ...

S/194/62/000/007/154/160
D413/D308

ing frequency appears at the output of the summation circuit. By the use of a selective amplifier the sensitivity can be increased and the effect of interference, noise and pickup decreased. The true accuracy is 5 - 6 % in phase and 0.2 - 0.3 % in amplitude. The working frequency range of the indicator is 50 - 10⁵ c/s. The paper describes the use of the switched indicator for indicating balance in an AC bridge. [Abstracter's note: Complete translation.] ✓

Card 2/2

The development of a frequency- ... S/194/62/000/007/155/160
D413/D308

is capable of working over the frequency band 400 c/s - 2000 kc/s. ✓
[Abstracter's note: Complete translation.] ✓

Card 2/2

SKRIPNIK, Yu.A.

Evaluating the precision of a modulation phase monitor of a 90°
phase shift. Izv.vys.ucheb.zav.; prib. 4 no.2:27-34 '61.
(MIRA 14:5)

1. Kiyevskiy politekhnicheskiy institut. Rekomendovana kafedroy
izmeritel'nykh ustroystv.
(Electronic instruments)

SKRIPNIK, Yu.A.

Methods for designing high-stability phase-insensitive differential
indicators. Radiotekhnika no.10:1-5 0 '61. (MIRA 14:9)
(Differential instruments)

34670

S/115/62/000/002/005/009
E192/E382

9.25/10(1040,1067,1331,1532)

AUTHOR: Skripnik, Yu. A.

TITLE: Modulation-type phase-sensitive differential indicator

PERIODICAL: Izmeritel'naya tekhnika, no. 2, 1962, 33 - 37

TEXT: Comparison of the amplitudes of two voltages (for example, in push-pull amplifiers), if their phases coincide, can be effected by means of phase-sensitive bridge circuits or differential amplifiers (Ref. 1: Ye.P.Sogolovskiy - Analysis of differential stages. Problems of electronic-measurement techniques. Symposium of articles, v.1, L'vov, 1958; Ref. 6: M. Conrad - Electronics, February, 1950; Ref. 7: W. Barnette and L. Giacoletto - Electronics, August, 1955). Such systems are not sufficiently accurate in view of the instability of the parameters of the tubes employed and the impossibility of accurate compensation of the levels of the compared voltages over a wide frequency range. In order to eliminate the errors due to the differences between the characteristics of the input tubes of the comparison
Card 1/5

S/115/62/000/002/005/009
E192/E382

Modulation-type

device, it is possible to employ the system illustrated in Fig. 1. This is a modulation-type phase-sensitive differential indicator and it consists of the following units: 1 and 8 automatic switches (polarized relays); 2 - differential stage; 3 - selective amplifier operating at the "carrier" frequency; 4 - amplitude-detector; 5 - low-frequency filter; 6 - amplifier for the "envelope"; 7 - phase-inverter stage; 9 - integrating filter; 10 - galvanometer and 11 - drive multivibrator. In the system of Fig. 1 the voltages to be compared are converted into amplitude-modulated signals and the instant of the amplitude and phase equality of the compared voltages is determined by the absence of the modulation frequency signal at the output of the detector circuit. The conversion of the two voltages into modulated voltages is based on the principle of the periodic comparison of two voltages by means of an asynchronously-controlled phase-sensitive circuit. If the modulation or switching frequency Ω is much lower than the frequency ω of the compared voltages, the output voltage of the phase-sensitive stage is amplitude-modulated by a

Card 2/6

S/115/62/000/002/005/009
E192/E382

Modulation-type

rectangular envelope; this voltage is expressed by:

$$U_{\omega} = U_{cp} \left[1 + m \left(\sin \Omega t + \frac{1}{3} \sin 3\Omega t + \dots \right) \right] \sin \omega t \quad (3)$$

where U_{cp} is the mean value of the "carrier"-frequency signal, and

m is the depth of the amplitude-modulation. The average value U_{cp} and the modulation index m are

dependent on the amplitudes U_1 and U_2 of the compared voltages, the phase-shift φ between them, the amplification factors of the two triodes and the additional phase shift produced by the discrepancies between these characteristics of the triodes. It is shown, however, that if the voltages U_1 and U_2 are equal in amplitude and phase, the amplitude-modulation is absent even if the parameters of the differential amplifying stage are not identical. In order to

Card 3/6

X

S/115/62/000/002/005/009
E192/E382

Modulation-type

detect the equality of the two voltages, the voltage U_{ω} is amplified by the selective amplifier (see 3 in Fig. 1) and it is then applied to the amplitude-detector. The signal at the output of the detector has the frequency of the switching device; this voltage is further amplified and then rectified by the second switching relay, which operates in synchronism with the modulating switch. The resulting signal is integrated in the filter and applied to the galvanometer. The equality of the two input signals is indicated by the zero deflection on the galvanometer. When one of the grids of the differential stage is Fig. 1 is grounded by the switch Π , the device becomes a phase-insensitive indicator and the zero deflection of the galvanometer corresponds to the equality of the amplitudes of the compared voltages independently of their phase relationship. Thus, the zero deflection of the galvanometer for both positions of the switch Π indicates the equality of the amplitude and phase of the two compared voltages. The error of the indication is dependent on the minimum value of the modulation index, which is detectable by

Card 4/6

X

Modulation-type

S/115/62/000/002/005/009
E192/E382

the galvanometer, i.e. the error due to insufficient sensitivity; on the other hand, some error is due to the imperfection of the automatic switch, i.e. the switching error. The errors are analyzed in some detail and it is shown that the error due to insufficient sensitivity can be reduced by narrowing the bandwidth of the filter at the output of the controlled rectifier. However, this leads to an increase in the time constant and thus increases the inertia of the indicator. The magnitude of the switching error depends on the inequality of the switching intervals and can be estimated experimentally. The switching errors become very significant when the levels of the switched voltages are such that the various types of noise at the input of the first tube are comparable with the input voltages. The switching errors are also caused by the physicochemical phenomena occurring during touching of the contacts, the microphony effect resulting in changes of the anode current due to mechanical vibrations and induction effects produced by the relay coils. The dependence of the switching error on the switching frequency and the level of the input voltages was

Card 5/6

ALEKSEYEV, G.A.; SKRIPNIK, Yu.A., kand. tekhn. nauk

Device for measuring frequency errors of wire impedance. Avtom.
i prib. no.4:70-74 O-D '63. (MIRA 16:12)

1. Kiyevskiy politekhnicheskii institut.

ALEKSEYEV, G.A.; SKRIPNIK, Yu.A.

Checking of wire-wound resistors in a wide range of frequencies.
Izv. vys. ucheb. zav.; radiotekh. 6 no.5:524-532 S-O '63.
(MIRA 17:1)

1. Rekomendovana kafedroy izmeritel'nykh ustroystv Kiyevskogo
ordena Lenina politekhnicheskogo instituta.

SKRIPNIK, Yu.A., kand. tekhn. nauk; SKRIPNIK, V.I.

Highly stable quadrature phase indicator. Avtom. i prib.
no.3:44-47 J1-S '64. (MIRA 18:3)

ACCESSION NR: AP4043560

S/0146/64/007/004/0022/0027

AUTHOR: Mayevskiy, S. M.; Skripnik, Yu. A.

TITLE: Measuring the phase shift between two distorted voltages

SOURCE: IVUZ. Priborostroyeniye, v. 7, no. 4, 1964, 22-27

TOPIC TAGS: phase measurement, phase meter, rf phase measurement

ABSTRACT: Introducing filters into the channels of a conventional 2-channel phase meter considerably increases the error due to the inevitable frequency instability of the input voltages and the nonidentical frequency-phase characteristics of the filters. A new single-channel, phase-measuring circuit is suggested which permits measuring the phase difference between the fundamental harmonics by isolating them in one filter; inaccuracy of the filter adjustment or frequency instability of the input voltages does not introduce additional error. Both voltages are applied to the filter in alternation by a broadband 2-channel electronic switch,

Card 1/2

