

SIMONOVITS, L.

SIMONOVITS, I.

"Application of the basic principles of the socialist public health policy in the health policy of our people's democracy. p. 225 (NEPEGESZSEGUGY. Vol. 34, No. 9, Sept. 1953. Budapest, Hungary).

SO: Monthly List of East European Accession, LC, Vol. 3, No. 4, April 1954

SIMONOVITS, Istvan, dr.

10 years of the development of therapeutic and preventive services. Nepegesszegy 36 no.4-5:88-106 Apr-May 55.

(MEDICINE, PREVENTIVE,
in Hungary.)

ROMAN, Jozsef, dr.; SIMONOVITS, Istvan, dr.; SZABO, Zoltan, dr.

Speeches delivered at the unveiling of the memorial of
Dr. Emil Weil. Nepegezsseggy 36 no.11:345-355 Nov 55.

(BIOGRAPHIES
Weil, Emil. (Hun))

SIMONOVITS, Istvan, dr.

A week dedicated to combat tuberculosis. Orv. hetil. 97 no.8:
197-198 19 Feb 56.

1. Egészségügyi miniszterhelyettes.
(TUBERCULOSIS, prev. & control
in Hungary, progr. & aims. (Hun))

SIMONOVITS, Istvan, dr.; IVANYI, Frigyes, dr.

Problems of unification of patient's care, hospital-dispensary unit, in Hungary. *Nepegessegugy* 38 no.4:90-94 Apr 57.

1. A varnai I. nemzetkozi *szimpozionon* tartott magyar referatum. *Egeszsegugyi* miniaSTER also helyettese (for Simonovits) *Egeszsegugyi* Szervezesi Tanszek adjunktusa (for Ivanyi).

(OUTPATIENT SERVICES

in Hungary, hosp. - dispensary units (Hun))

SIMONOVITS, Istvan

Health policies of our people's democracy. Nepegeszségügy 38 no.12:
305-314 Dec 57.

(PUBLIC HEALTH

in Hungary, health policies of the people's democracy (Hun))

116-1113, Istvan, Dr.

cial politics of the Hungarian Soviet Republic. Nepegeszsegugy

no. 3-4:53-62 Mar-Apr 58.

(PUBLIC HEALTH, hist.

in Hungary, policies of the Soviet Republic in 1919 (Hun))

HORN, Dezso; TEMESSZENTANDRASI, Guido; NOHRER, Arpad; VARGA, Gyorgy; BERCS, Sándor, dr., buntetőbíró; TOTH, Anna, ~~SIMONOVITS, Istvan~~; KOMAR, Andras; PAL, Ferenc, dr.; SOMOGYI, Miklos; SOMOSKOI, Gabor

The 10th Plenary Session of the National Council of Trade Unions.
Munka 11 no.6:1-12,29-30 Je '61.

1. Szakszervezetek Országos Tanácsának titkara, és "Munka" szerkesztőbizottsági tag (for Horn, Varga). 2. Fomernok; Ozdi Kohászati Művek (for Temesszentandrási). 3. Élelmiszeripari Dolgozók Szakszervezete elnöke. (for Nohrer). 4. Textilszakszervezet főtiktára (for Toth). 5. Egészségügyi Miniszter első helyettese, Budapest. (for Simonovits). 6. Bányai Dolgozók Szakszervezetének titkara (for Komar). 7. Orvos-Egészségügyi Dolgozók Szakszervezetének főtiktára (for Pal). 8. Szakszervezetek Országos Tanácsának elnöke és Magyar Szocialista Munkaspárt Politikai Bizottságának Tagja (for Somogyi). 9. Építő-, Fa- és Építőanyagipari Dolgozók Szakszervezete főtiktára (for Somoskoi).

SIMONOVITS, Istvan, dr.

Observations on the experiment in the Fejer district. Nepegeszaegugy
43 no.11:321-322 II '62.

(PUBLIC HEALTH)

POLAND-R-0000

T

7

SIMONOVITS, Gyorgy, Hungarian Vice-Minister of Health [trans-
lated by H. B. 01581, Stanislaw, Dr. med]

"The Development of the Hungarian Health Service."

Warsaw, Polski Tygodnik Lekarski, Vol 13, No 19-20, 6-13
May 63, pp 649-654.

Abstract: Although the pre-war status of the Hungarian
health services was high, war destruction presented the
socialist state with the problem of repairing much of the
damage. In this article, the Hungarian Vice-Minister of
Health reports to the Polish readers the development of
hospital bed facilities, dispensaries, health care in the
industry, the network of sanitation and epidemiological
stations, and the tasks facing the Hungarian Health Ser-
vice for the future. There are no references.

| 1/1

7

SIMONOVITS, Istvan, dr.

Agricultural health. Nepegeszsegugy 44 no.11:321-329 N '63.

(RURAL HEALTH) (WATER SUPPLY)
(WATER POLLUTION) (ELECTRICITY)
(NUTRITION) (INFANT MORTALITY)
(TUBERCULOSIS) (PHYSICIANS)

SUMMARY

SIMONOVITS, Istvan, M.D., (affiliation not given).

"The Hungarian Medical Publication Field is One-Hundred Years Old"

Budapest, Orvosi Hetilap, Vol 104, No 19, 12 May 1965, pp. 365-367.

Abstract: The Hungarian Society for the Publication of Medical Books (Magyar Orvosi Könyvtudó Társulat) was founded by MARKUSO/SZKY, Eszto, one-hundred years ago. Previously, any medical books published in Hungary were in Latin. The publishing program of the Society has been an active one during the intervening years. Political and social changes that took place in recent years present new challenges which the Hungarian publishing institutions in the field of medicine are prepared and eager to meet. No references.

1/1

L 32191-66

ACC NR: AP6020847

SOURCE CODE: HU/0036/65/072/003/0219/0224

APPROVED FOR RELEASE: 08/23/2000 CIA-RDP86-00513R001550720005-6"

AUTHOR: Simonovits, Istvan (Candidate of Medical Sciences, Professor)

ORG: Medical University of Budapest (Budapesti Orvostudományi Egyetem)

TITLE: First international congress of public health organizers

SOURCE: Magyar tudomány, v. 72, no. 3, 1965, 219-224

TOPIC TAGS: medical conference, health service

ABSTRACT: The first international congress of the social hygienists and health organizers of the socialist countries was held in Budapest, 26-28 Nov 64. The principal problem discussed was the effectiveness of prevention rendered by the health services to the population of socialist countries. A total of 91 lectures, 16 of them by foreign authors, were read. The present report includes a brief, individual summary of the lectures and the names of their authors. [JPRS]

SUB CODE: 06 / SUBM DATE: none

KATONA, Gyula, NEMETZ, Tibor, SIMONOVITS, Miklos

Newer proof of the Turan's theorem of the theory of graphs and
remarks about certain generalizations. Mat lapok 15 no. 1/3:228-
238 1964

SIMONOVSKAYA, V. G., Compiler

Bibliography of literature on biology published during the second half of 1949. *Usp. sovrem. biol.* 30:3, Nov.-Dec., 50. p. 442-490

1. Edited by Prof. V. V. Alpatov.

OSL 20, 3, March 1951.

SIMONOVSKAYA, V.G.;SIMONOVSKIY, V.V.;ALLATOV, V.V.

Russian biological literature published in 1949-1950. Usp. sovrem.
biol. 34 no.1:127-160;contd. July-Aug 1952. (CML 23:2)

SIMONOVSKIY, V.V.; SIMONOVSKAYA, V.G.; ALPATOVA, V.V., professor.

Biological literature of the U.S.S.R. for 1951. Usp.sovr.biol. 36 no.1:
127-160 JI-Ag '53. (MLRA 6:7)

(Biology--Bibliography) (Bibliography--Biology)

SIMONOVSKIY, A.Ya.

Stitching and binding operations in publishing small-format atlases.
Geod.1 kart. no.2:62-66 Ap '56. (MLRA 9:10)
(Bookbinding)

SIMONOVSKIY, A.Ya.

Imperfections in the mounting of atlas maps on quires. Geod. i
kart. no.4:47-51 Ap '57. (MLBA 10:8)
(Cartography) (Atlases)

6-10-7/12

AUTHOR:
TITLE:

Simonovskiy, A. Ya.

On the Influence Exercised by the Thickening of Grid Lines in the
Offset Printing of Geographical Maps (O vliyani utolshcheniya
liniy setok pri ofsetnoy pechati kart)
Geodeziya i Kartografiya, 1957, Nr 10. pp 44-55 (USSR)

PERIODICAL:

ABSTRACT:

Under the supervision of chief engineer V.A. Ivanovich investiga-
tions were carried out in the cartographical factory of Riga in
order to find the causes of the thickening of net lines in offset
printing. This is the first time that this problem is described
in its proper light. The simple networks of lines are investigated
and it is shown that in the printing of geographical maps the
amount of the modification of the percentual ratio between print-
ing and space-rule elements of the net increases with increasing
thickening, and that when printing a network with a larger line-
thickening the increase with a modification of the percentual ratio be-
tween printing and space-rule elements with the line-thickening
remaining the same entails the same increase of the percentual
ratio. Hereafter point- and cross nets are investigated and it is
shown that 1.) a 20% point net should not be used, 2.) that, in
printing a 15% point net point thickening on it changes the per-
centual ratio between printed and space-rule elements less than
in the case of any simple-line net, and 3.) that the application
of 30 x 30, 30 x 40 and 30 x 50% nets is also not desirable.

Card 1/2

6-10-7/12

On the Influence Exercised by the Thickening of Grid Lines in the Offset Printing of Geographical Maps

The amount of the thickening of net lines is determined, and it is shown that with every 0,01 mm of net line thickening the percentual ratio between printing and space-rule elements of simple nets increases by 2,4% in the case of 24-line nets and by 3,4% in the case of 34 line nets. In conclusion the modification of the representation of color stages of the ground elements is investigated and it is shown that 1.) printing of the offset has to be carried out in such a manner that the color tone of the middle stage of the scale corresponds to the color tone of this stage in the color sample, 2.) Oversaturation of the printing color must be avoided. 3.) If possible a 15% point net should be used to represent the ground tone of basic areas, and 4.) if possible nets with small line spacing should be used. There are 2 figures and 1 table.

AVAILABLE: Library of Congress

Card 2/2

S/006/61/000/004/001/001
D054/D113

AUTHORS: Simonovskiy, A. Ya., Pernatkina, V. I., and Lapshina, M. I.

TITLE: From the experience of work of the Riga Cartographic Factory on the compilation of a climatic atlas of the USSR

PERIODICAL: Geodeziya i kartografiya, no. 4, 1961, 62-72

TEXT: The article gives a detailed description of operations and methods connected with the compilation and printing of the first volume of the climatic atlas of the USSR and the preparation for printing of its second volume. The first volume of the 39 x 51 cm atlas was published in 1960 and the second will be issued in 1961. The atlas is intended for various branches of the Soviet national economy, especially for agriculture, and for the compilation of comprehensive atlases. Work on the making of the first volume was organized at the Glavnaya geofizicheskaya observatoriya im. A. I. Voyeykova (Main Geophysical Observatory im. A. I. Voyeykov) (GGO) by a special editorial board composed of 10 scientists-geographers headed by Doctor of Agricultural Sciences, F. F. Davidaya. Scientific editing, texts and preparation of author's originals were carried out in the Otdel klimatologii (Department of Climatology) GGO and the compilation and printing - at the Rizhskaya kartograficheskaya fabrika (The Riga Cartographic Factory). The editorial council of the factory supervised the compilation and printing, and P. Ya. Bondarenko,

Card 1/6

S/006/61/000/004/001/001
D054/D113

From the experience of work ...

chief technical editor of the atlas and member of the editorial board of the GGO, supervised the printing of the final issue of the atlas. Preparatory work took 36 months from 1957 to 1960 and the printing itself - 9 months. The atlas contains 81 sheets; the first part contains physical, vegetation and pedological maps of the USSR, compiled in the same scale as the basic special maps. The compiling and the delineation of the physical map was made in the usual way: compilation from the blueprint onto one author's original, and delineation with magnification - onto the author's original and the lettering original. The next part of the atlas contains a series of special maps: air temperature (60 maps); soil temperature (36 maps); precipitations (60 maps); evaporation and evaporability (8 maps); snow cover (10 maps) and one map of climatic districts of the USSR. Separate maps also show the intensity of solar radiation and dates of freezing and thawing of rivers. All special maps were printed only on the obverse sides and legends and explanatory texts for climatic maps as well as maps of mountainous regions were printed on the reverse side. The master-sheet of mountainous regions was compiled at the Nauchno-redaktsionaya kartosostavitel'skaya chast' (Scientific Editorial Map-Compiling Section (NRKCh) and the technology of compiling and printing the special maps was developed at the Riga factory (fig. 1 and 2). Bromochloride positives were used for the preparation of original forms of all maps. The authors give an extremely detailed stage by stage description of compilation and printing operations. There are 3 figures.

Card 2/6

SIMONOVSKIY, A.Ya.

Transition to the shortened workday and the new wage system. Geod.
i kart. no.11:50-54 N '61. (MIRA 15:1)
(Riga--Cartography) (Wages)

SIMONOVSKIY, A.Ya.

Organization of planning in the plant; from the work practice
of a map-printing plant. Geod.i kart. no.12:57-64 D '62.
(MIRA 16:2)

(Map printing)

SIMONOVSKAYA-ROMADINA, N.

Exhibition of results of school regional studies. Geog. v shkole 20
no.3:49-50 My-Je '57. (MLRA 10:6)
(Geography--Study and teaching)

1. ASLANOV, G. V.; ~~GET'YE~~, V. A.; GUREVICH, YE. S.; LUBENETS, V. D.; SAMSONOV, N. M.; SEKUNOVA, O. N.; SIMONOVSKIY, I. V.; FRENKEL', M.; KRAPUNOV, B. P.
2. USSR (600')
4. Valves
7. Problem of the priority of Soviet science in examining the operation of spring-loaded valves. (Letters to the editor.) Ve. t. mash. 32 No. 11, 1952.

9. Monthly List of Russian Accessions, Library of Congress, April 1953, Uncl.

СИМОНОВИЧ, К. (Lt. Col.)

Sovetskie Mnogoprivodnyi i Mnogoosnyi Avtomobili (Soviet Multi Drive and Multi Axled Automcbiles), 1951.

GINZBURG, Yevgeniy Grigor'yevich, kand. tekhn. nauk; SHAMANIN, Aleksandr Vasil'yevich, inzh., KOLCHIN, N.I., doktor tekhn. nauk, prof., zasl. deyatel' nauki i tekhniki RSFSR, red.; FIRUN, N.B., kand. tekhn. nauk, red.; SIMONOVSKIY, N.Z., red.; BARDINA, A.A., tekhn. red.

[Standard technological processes in manufacturing gear transmissions] Tipovye tekhnologicheskie protsessy izgotovleniya zubchatykh peredach. Pod obshechi red. N.I. Kolchina. Izd.2., perer. i dop. Moskva, Mashgiz, 1962. 114 p. (Bibliotekha zuobreza, no.2) (MIRA 15:9)

(Gear cutting)

SIMONOVSKAYA, V.G.;SIMONOVSKIY, V.V.;ALIATOV, V.V.

Russian biological literature published in 1949-1950. Usp. sovrem.
biol. 34 no.1:127-160;contd. July-Aug 1952. (CJML 23:2)

SIMONOVSKIY, V.V.; SIMONOVSKAYA, V.G.; ALPATOVA, V.V., professor.

Biological literature of the U.S.S.R. for 1951. Usp.sovr.biol. 36 no.1:
127-160 JI-Ag '53. (MLA 6:7)
(Biology--Bibliography) (Bibliography--Biology)

L 9668-66 ENT(1)/EWA(h)

SOURCE CODE: UR/0286/65/000/019/0101/0101

ACC NR: AP5026553

AUTHORS: Roshchin, G. V.; Simonovskiy, V. I.; Kuzovenkova, L. F.

21
B

ORG: none

TITLE: A random mode periodic oscillator with variable amplitude and frequency.
Class 42, No. 175317

SOURCE: Byulleten' izobreteniy i tovarnykh znakov, no. 19, 1965, 101

TOPIC TAGS: self excited oscillation, oscillator, nonlinear oscillatory system, approximation method

ABSTRACT: This Author Certificate presents a generator of periodic random mode oscillations with variable amplitude and frequency, utilizing a method of dynamic compensation. The generator is designed to reduce the amount of equipment and to simplify the circuit. The oscillator contains an electronic integrator with a nonlinear feedback circuit in the form of dynamic elements. The dynamic elements consist of series-connected capacitors and diode switches for attaining piecewise linear approximations. The junction point between the diodes is connected to the inputs of the trigger. The output of the trigger is connected to the input of the integrator, thereby forming (together with the trigger) a closed selfexcited loop.

SUB CODE: 09/

SUBM DATE: 11Feb64

UDO: 681.142

Card 1

SULC, Josef, inz., dr.; DUSANEK, Jan; DVORAK, Jaroslav; SIMONOVSKY,
Miroslav, inz.

Measurement in the dairying industry. Prum potravin:Suppl.:
14 no.5:1-24 My '63.

1. Zavodni pobočka Československe vedecko-technicke společnosti
Sdruzeni mlekaren, Praha (for Sulc). 2. Zavodni pobočka
Československe vedecko-technicke společnosti Uradu pro normalizaci
a mereni, Praha (for Dusanek, Dvorak and Simonovsky).

SIMONOWICZ, Włodzisław, Inz.

A new autotransformer controller. Main electrical data 32 no.2:
52-53 F 165.

SIMONS, D. YA.

4266. SIMONS, D. YA. -- Sbornik annotatsiy nauchno-issledovatel'skikh rabot po
ozdorovleniyu usloviy truda, vypolnennykh institutami okhrany truda
VTSSPS...(M.), Profizdat, 1954. 22 sm.
Vyp. 5 ... v 1952-1954 godakh (Sost. D. Ya. Simons i A. P. Orekhov)
123 s. s. ill. 1.000 ekz. 4 p. 35 k. V per. -- (54-58003) p
331. 82 & 614.31 (048)

SO: Knizhnaya Letopsis', Vol., 1, 1955

KORSAKOV, M.I.; BOLOTNOV, P.I., inzhener, retsenzents; MOKSIN, S.I., inzhener, retsenzents; SIMONS, D.Ya., inzhener, redaktor; POPOLOV, Ya.N., redaktor izdatel'stva; ~~MARVEYVA~~, Ye.N., tekhnicheskii redaktor

[Safety engineering for machine-tractor mechanics] Tekhnika bezopasnosti v mashinno-tractornykh masterskikh. Moskva, Gos. nauchno-tekhn. izd-vo mashinostroit. lit-ry, 1956. 189 p. (MLRA 9:11)
(Machine-tractor stations--Safety measures)

SIMONS, Dmitriy Yakovlevich; RAKITIN, Georgiy Arkad'yevich, spetsred.;
~~DENISOVA, I.S., red.; SHADRINA, N.D., tekhn.red.~~

[Technic of accident prevention and industrial sanitation;
collection of decisions and rules] Tekhnika bezopasnosti i pro-
izvodstvennaia sanitariia: sbornik postanovlenii i pravil. Moskva,
Izd-vo VTsSPS Profizdat, 1960. 574 p.

(MIRA 14:4)

(Industrial safety--Law and legislation)

IGNATOK, A.I.; TSYGANOV, M.A.; KUGINIS, B.L.; KHRAMTSOV, V.A.;
DUKHANIN, Yu.A., retsenzent; SIMONS, D.Ya., red.;
POCHTAREVA, A.V., red.izd-va; DOBRITSYNA, R.I., tekhn.red.;
SMIRNOVA, G.V., tekhn. red.

[Manual on safety engineering and industrial hygiene in
machinery industry enterprises] Spravochnik po tekhnike
bezopasnosti i proizvodstvennoi sanitarii dlia pred-
priiatii mashinostroeniia. Sost. A.I. Ignatok, i dr. Mo-
skva, Mashgiz, 1962. 591 p. (MIRA 15:2)
(Machinery industry → Safety measures)
(Machinery industry—Hygienic aspects)

KISELEV, Nikolay Dmitriyevich; SIMONS, Dmitriy Yakovlevich;
DENISOVA, I.S., red.

[Electrical safety in industrial enterprises] Elektro-
bezopasnost' na promyshlennykh predpriyatiyakh. Izd.4.
perer. Moskva, Profizdat, 1964. 138 p. (MIRA 18:2)

1 2 3 4 5 6 7 8 9 10 11 12 13 14 15 16 17 18 19 20 21 22 23 24 25 26 27 28 29 30 31 32 33 34 35 36 37 38 39 40 41 42 43 44 45 46 47 48 49 50

1ST AND 2ND CODES

PROCESSES AND PROPERTIES INDEX

3RD AND 4TH CODES

14

15

The role of hemoglobin in intermediary heat exchange.
Frost Simonson. *Bull. Biol. Med. Exptl. U. R. S. S.* 3,
324-37 (1957) (in German). Walter H. Seegers

Common vulnerability index

ASB SLA METALLURGICAL LITERATURE CLASSIFICATION

1 2 3 4 5 6 7 8 9 10 11 12 13 14 15 16 17 18 19 20 21 22 23 24 25 26 27 28 29 30 31 32 33 34 35 36 37 38 39 40 41 42 43 44 45 46 47 48 49 50

PROCESSES AND PROPERTIES INDEX

115

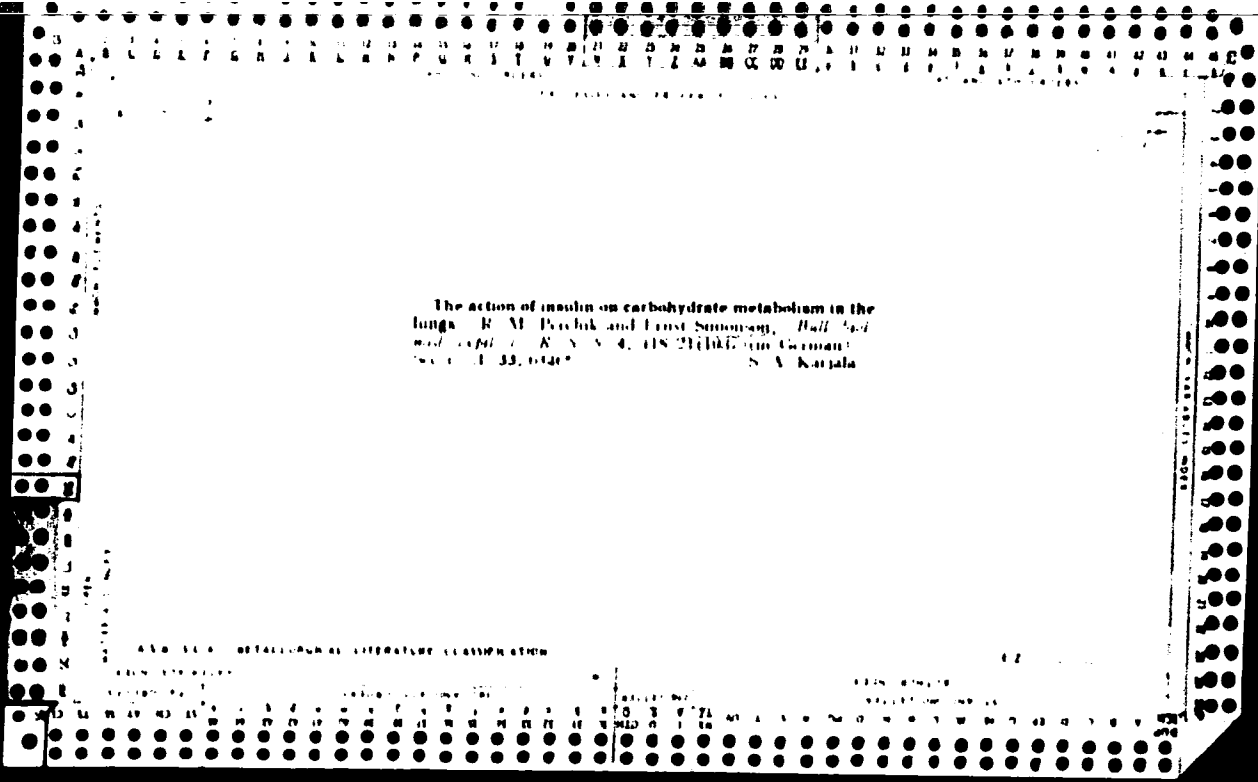
CH

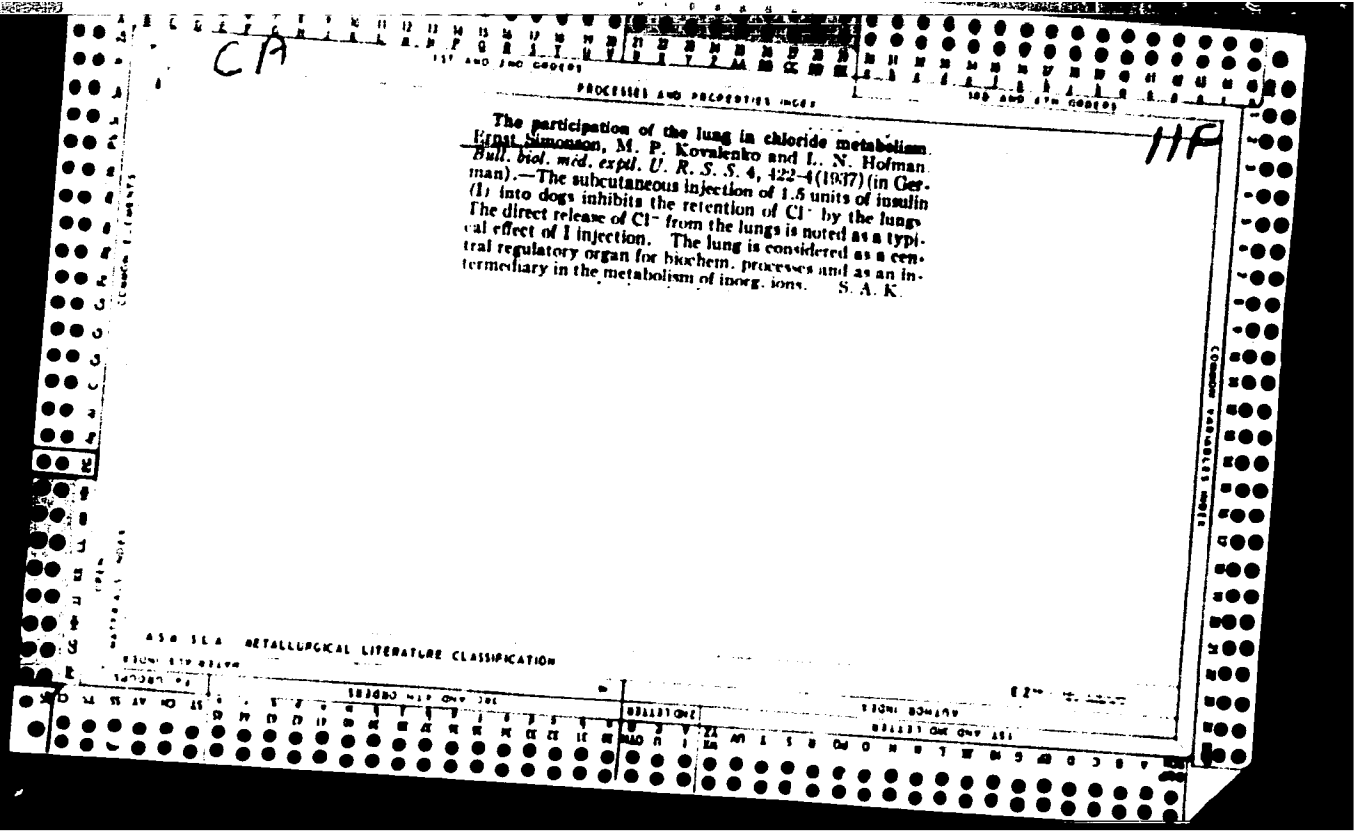
Regulatory function of the lung in intermediary metabolism. E. Simonson, E. L. Libkind, A. Ph. Naiman and A. V. Sokolov. *Bull. biol. med. exptl. U. R. S. S. S.*, 32: 8(1937) (in German). Walter H. Seegers

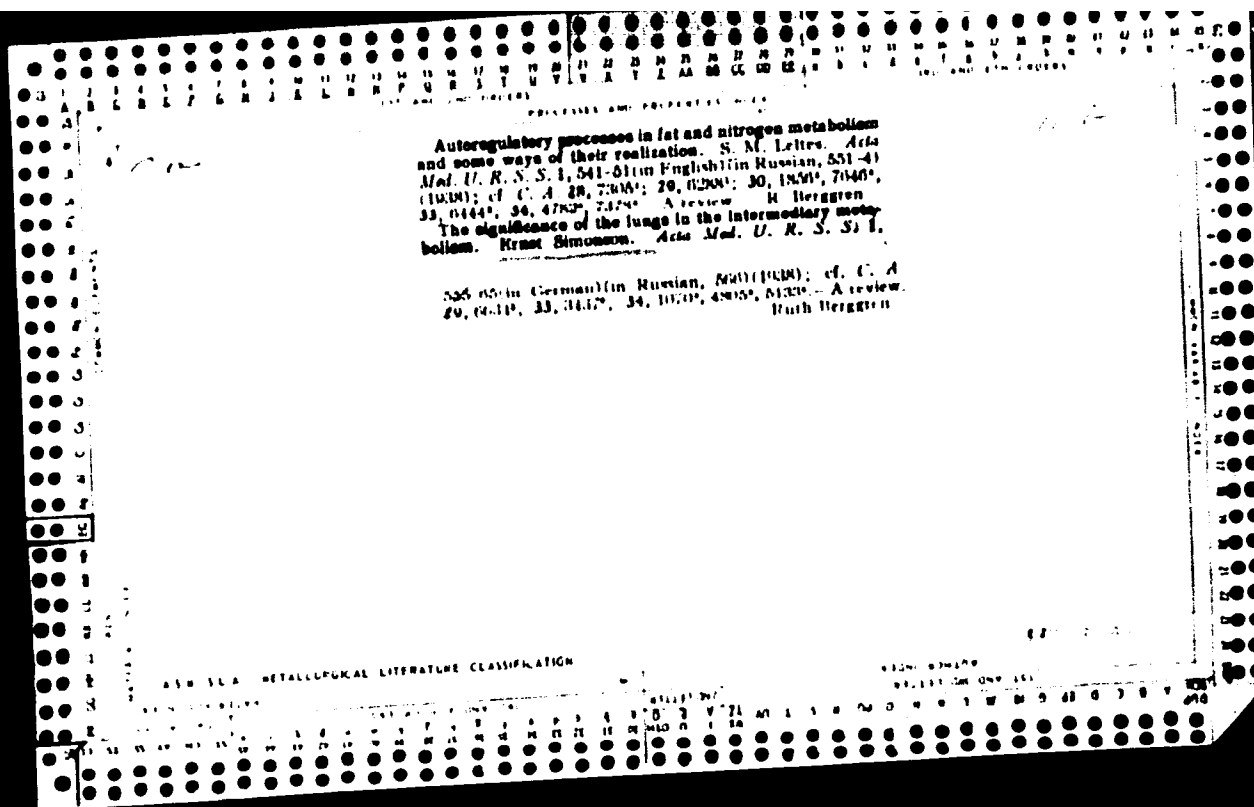
ASB-SLA METALLURGICAL LITERATURE CLASSIFICATION

REGIONAL INDEX

SUBJECT INDEX







BROZEK, Josef; SIMONSON, Ernst

Investigations on the role of the central nervous system in the
pathogenesis of arterial hypertension conducted in the Soviet Union.
Cas. lek. cesk. 99 no.25:[Lek. veda.zahr.]p.130-141 17 Je '60.
(HYPERTENSION etiol.)
(CENTRAL NERVOUS SYSTEM)

SIMONTOV, I.

Reduction in frequency distortion in long-wave band receivers. Radio no.10:
35 0 '53. (MIRA 6:10)

(Radio--Receivers and reception)

FD-2501

USSR/Electronics - Circuit Theory

Симонтов, И. М.
Card 1/1 Pub. 90-9/9

Author : Simontov, I. M.

Title : ~~Band resonant systems with fixed pass bands~~
Band resonant systems with fixed pass bands

Periodical : Radiotekhnika, 10, 78-80, Jun 55

Abstract : Band pass resonant circuits used in frequency selection can be stabilized in regard to the width of pass-band throughout the whole tuning range by introducing attenuation in proportion to the frequency, of either positive or negative nature. This attenuation is attained by inserting an R-C tank circuit, whose R (resistance) and C (capacitance) are calculated by G. V. Braude method. The establishment of constant pass-band at all frequencies rests on the fact that, when the pass-band is moved into the region of higher frequencies, the emf of positive feed-back increases, thus compensating for the tendency of the pass-band to widen. The combination feedback is very effective in stabilizing a constant band-width for narrow band-pass circuits. Five USSR references.

Institution :

Submitted : December 21, 1953

AID P - 4532

Subject : USSR/Electronics

Card 1/2 Pub. 90 - 5/10

Authors : Simontov, I. M. and Ya. I. Fet

Title : Evaluation of selective properties of resonant systems

Periodical : Radiotekhnika, 2, 54-59, F 1956

Abstract : The author discusses a method of evaluating the selective properties of resonant systems. The method is based on a comparison of the relative power of oscillations of the error spectrum with the relative power of oscillations of the useful spectrum. The author introduces and defines, a concept of the "coefficient of rectangularity" as one of the criteria of selectivity. He presents a comparative evaluation of some resonant systems and states that the use of other criteria leads to erroneous conclusions. Four diagrams, 2 tables, 5 Soviet references (1939-1951).

S

USSR / Radiophysics

I

Abs Jour : Ref Zhur - Fizika, No 4, 1957, No 10029

Author : Simontov, I.M.

Inst : Not given

Title : Calculation and Relative Estimate of the Fundamental Circuit Used for the Suppression of Noise from Stations Operating at the Intermediate Frequency of the Receiver.

Orig Pub : Elektrosvyaz', 1956, No 10, 12-21

Abstract : An estimate is made of various circuits for connecting the filters, namely a rejection filter in the input circuit with inductive coupling, a blocking filter in a bridge circuit in the input circuit, a blocking filter in the cathode circuit. Formulas are given for calculating the elements of the filters and the selectivity with respect to the intermediate frequency. It is shown that connecting the filters increases the non-uniformity in the transmission of the voltage over the medium and long wave range.

Card : 1/1

SIMONTOV, I. M.

Radiotekhnika, vol. 11, No. 2, 1956

I. M. SIMONTOV, IA. I. FET: To the estimate of the selective properties of resonant systems

Abstract: A method is analyzed of estimating the selective properties of resonant systems based on the comparison of the relative power of the noise spectrum oscillation and the relative power of the useful spectrum oscillation. A comparative estimate of certain resonant systems is given. It is shown that use of other criteria leads to erroneous conclusions.

BS
220

SUBJECT USSR / PHYSICS CARD 1 / 2 PA - 1714
AUTHOR SIMONTOV, I.M.
TITLE Regional Band Filters with a Frequency Characteristic of Un-
variable Shape.
PERIODICAL Radiotekhnika, 11, fasc. 11, 72-74 (1956)
Issued: 12 / 1956

Band filters with inductively capacitive and two-capacitive connection, which permit a relatively little variable transmission zone within the tuning region, are very common. In order to obtain invariability of the zone the connecting parameter must be considerably modified. On the occasion of such a modification also the selectivity properties of the filter are modified. If the increased value of the connecting parameter is exploited and if it is kept invariable within the tuning region, the filter will attain a much higher technical value. At the input circuits of receivers with a band filter the scheme of an inductive connection with a "lengthened" circuit of the antenna is used, by which modifications of the transmission coefficient are kept relatively low. If the resonance frequency of the antenna circuit is approached to the frequency range of the receiving domain, it is possible to obtain equal transmission coefficients at the ends of the respective domains. If a similar nonuniformity of voltage transmission is admitted as in the case of an ordinary input circuit scheme, a noticeably improved voltage transmission can be attained. All these cases are illustrated in form of diagrams.

The following advantages are offered by the regional band filter:

Radiotekhnika, 11, fasc. 11, 72-74 (1956) CARD 2 / 2

PA - 1714

- 1.) According to technical characteristics the filter is a near approach to that with a permanent adjustment.
- 2.) Increased selectivity properties on all frequencies are assured.
- 3.) An increase of the voltage coefficient is attained.

In conclusion the various possibilities for the application of this filter are mentioned.

INSTITUTION:

СИМОНОВ, И. М.

CIRCUIT

"Coupling of Tank Circuits of Superheterodyne Receivers and Nonlinear Distortion Connected with the Misalignment", by I.M. Simontov and L.Ye. Yashchuk, Elektrosvyaz', No 9, September 1957, pp 30-32.

The presently used method of aligning superheterodyne tuned circuits by means of trimmer capacitors produces a correct alignment only at two or three frequencies, depends on the number of additional elements in the heterodyne circuit. At the remaining circuits there is a certain detuning, and this article describes an experiment to determine how close the matching is in mass-produced radio broadcast apparatus and to what extent the misalignment increases the nonlinear distortions in the receiver.

Card 1/1

- 4 -

SIMONTOV, I. M. Cand Tech Sci -- (diss) "Problems ^{in resonance} ~~of the increase~~ in the selectivity of resonance systems." L'vov, 1958. 22 pp with graphs. (Min of Higher Education UkSSR. L'vov Polytechnic Inst. Chair of Radio-Receiving and Radio-Transmitting ^{sets} ~~Installations~~), 100 copies. Bibliography: pp 21-22 (23 titles). (KL, 11-58, 118)

SIMONTOV. Isaak Moiseyevich, kand. tekhn. nauk, i. o. i. n. d. n. Ye. P., kand.
tekhn. nauk, retsenzent; TRACHENKO, L.N., inzh., red.

[Design of autoratic gain control systems of radio
receivers] Proektuvannia system AAF radiopryimachiv.
Kyiv, Tekhnika, 1964. 109 p. (MIRA 17:9)

L 6395-66 EWT(1)/EWA(h)

ACC NR: AP5020926

SOURCE CODE: UR/0142/65/008/003/0337/0345

AUTHOR: Simontov, I. M.; Sherepa, V. F.

ORG: none

TITLE: Balanced frequency detectors with systems of mutually detuned pairs of circuits

SOURCE: IVUZ. Radiotekhnika, v. 8, no. 3, 1965, 337-345

TOPIC TAGS: nonlinear automatic control system, circuit design, circuit theory

ABSTRACT: An analysis is made of nonlinear distortions produced in balanced frequency detectors by technically unavoidable asymmetrical deviations of the circuit parameters of the opposing arms of balanced circuits. A circuit is proposed which it is believed has not been examined previously in the literature. Fig. 1 shows a conventional frequency discriminator circuit, and fig. 2 shows the authors' circuit, which minimizes parameter deviations. In addition, the gains of the arms can be adjusted separately by regulating the grid biases of the tubes. Proper selection of circuit parameters for minimum nonlinear distortion is discussed. Orig. art. has: 6 figures, 21 formulas.

Card 1/2

0902 0119

L 6395-66
ACC NR: AP5020926

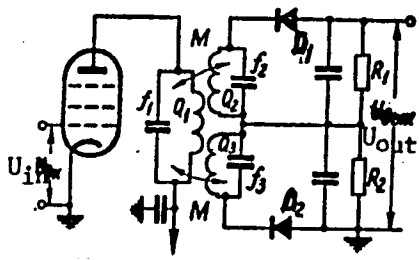


Fig. 1. Circuit of frequency discriminator with two mutually detuned pairs of circuits:

$$U_{out} = \sqrt{\frac{1}{1 + \frac{f_1^2 - f_0^2}{Q_1^2}}} \cdot \frac{f_1 - f_0}{Q_1} = \sqrt{\frac{1}{1 + \frac{f_2^2 - f_0^2}{Q_2^2}}} \cdot \frac{f_2 - f_0}{Q_2}$$

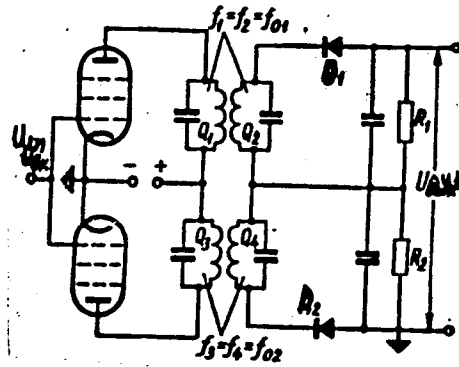


Fig. 2. Circuit of frequency discriminator with mutually detuned pairs of circuits:

$$U_{out} = \sqrt{\frac{1}{1 + \frac{f_1^2 - f_0^2}{Q_1^2}}} \cdot \frac{f_1 - f_0}{Q_1} = \sqrt{\frac{1}{1 + \frac{f_2^2 - f_0^2}{Q_2^2}}} \cdot \frac{f_2 - f_0}{Q_2}$$

BC

SUB CODE: EE,DP/ SUBM DATE: 19Feb64/ ORIG REF: 005 OTH REF: 000
Card 2/2 UDC: 621,376.33

SIMONTOV, I.M.; SHEREVA, V.F.

Effect of nonsteady processes and destabilizing factors on non-linear processes in an FM discriminator with staggered circuits.
Elektrosviaz' 19 no.9:67-69 S '65. (MIRA 18:9)

SIMONTOV, I.M.

Brief news. Elektrosviaz' 19 no.9:81 S '65.

(MIRA 18:9)

I. 24772-66

ACC NR: AP6015555

SOURCE CODE: UR/0106/65/000/009/0081/0081

AUTHOR: Simontov, I. M.

ORG: none

TITLE: Jubilee scientific and technical conference in Odessa

SOURCE: Elektrosvyaz', no. 9, 1965, 81

TOPIC TAGS: electronic conference, linear system

ABSTRACT: From 24 to 29 May 1965 in Odessa, a scientific and technical conference was held in honor of the 20th anniversary of the victory of the Soviet people in the Second World War and of the 70th anniversary of the invention of the radio by A. S. Popov. Some of the subjects discussed at the conference were: prospects for development of electronics; the theory of linear systems with variable parameters; conversion circuits based on multistable phase-pulse elements; problems in programmed learning; and many others. Altogether, the sections of the conference heard 135 reports. [JPRS]

SUB CODE: 09 / SUBM DATE: 25Jun65

26
B

2

Card

1/1 7/10/65

UDC: 006.3

SIMONOVSEIY, V.P., polkovnik med. sluzhby; GUREVICH, S.M., podpolkovnik
med. sluzhby.

Organizing the work of a methodological health education center.

Voen.med.zhur. no.9:66-70 S '57.

(MIRA 11:3)

(HEALTH EDUCATION,

military in Russia (Rus)

(MEDICINE, MILITARY AND NAVAL,

health educ. (Rus)

SIMONVA, Masha

Some species of the family Tipulidae, new to Yugoslavia. Fragmenta
Baik Skopje 5 no. 5043-54 '64.

1. April 1964 Faculty, Zemun.

STARIK, I.Ye.; RATNER, A.P. [deceased]; GROSHKOV, G.V.; MURIN, A.N.;
STARIK, A.S.; GREBENSHHIKOVA, V.I.; KLOKMAN, V.P.; NEFEDOV, V.D.;
LUR'YE, B.G.; ISHINA, V.A.; SMIRNOV, L.A.; YEFIMOVA, Ye.I.;
TOROPOVA, M.A.; SIMONIYAK, Z.H.; FRENKLIKH, M.S.; SHCHEMELEVA, Ye.V.,
redaktor; VCDOLAGINA, S.D., tekhnicheskiy redaktor

[A collection of practical studies in radio chemistry] Sbornik
prakticheskikh rabot po radiokhimii. [Leningrad] 1956. 210 p.
(MIRA 10:1)

1. Leningrad. Universitet.
(Radiochemistry)

KUZNETSOV, Yu.V.; LEGIN, V.K.; LISITSYN, A.P.; SIMONYAK, Z.N.

Radioactivity of ocean suspensions. Part 1: Thorium isotopes
in ocean suspensions. Radiokhimiia 6 no.2:242-254 '64.
(MIRA 17:6)

STARI , I.Ye.; KALININ , Ye.V.; LUKHIN , V. .; SICHINA , A. .

Certain characteristics of radioionium dating. Radiokhimiya
3 no.4:490-497 1961. (MIRA 14:7)
(Thorium--Isotopes)

KUZNETSOV, Yu.V.; LEGIN, V.K.; SIMONYAK, Z.N.

Determination of ultrasmall quantities of uranium, radium, and
thorium isotopes in silicate materials taken from the same batch.
Radiokhimiia 5 no.2:189-197 '63. (MIRA 16:10)

USSR / Cultivated Plants: Potatoes, Vegetables, Melons. M-2

Abs Jour : Ref Zhur - Biologiya, No 2, 1959, No. 6275

Author : Simonyan, A.

Inst : Erevan' University

Title : Study of Vegetable Crops in Nor Bayazet

Orig Pub : Sb. stud. nauchn. tr. Erevansk. un-t, 1958,
No 8, 157-170

Abstract : The results of variety testing of tomatoes,
peppers and eggplants, carried out by the
department of Genetics, Yerevan' University,
showed the good productivity of some varieties
of these crops in the mountains.

Card 1/1

SIMONYAN, A.A., inzhener.

Field method of determining the value of limit stress in the displacement of
peat. Torf.prom. 30 no.10:24-25 0 '53. (MLRA 6:10)

1. Moskovskiy torfyanoy institut.

(Peat)

SIRONYAN, A. A.

Sironyan, A.A.

"Experimental Methods of Determining Rheological Indexes in the Formation of Peat." Min Higher Education USSR. Moscow Peat Inst. Moscow, 1955. (Dissertation for the Degree of Candidate in Technical Science)

So: Knizhnaya letopis', No. 27, 2 July 1955

PICHUGIN, A.V., kandidat tekhnicheskikh nauk; SIMONYAN, A.A., kandidat tekhnicheskikh nauk.

Limit shearing strain of peat from an undisturbed deposit.
Torf.prom. 34 no.5:22-24 '57. (MIRA 10:10)

1. Moskovskiy torfyanoy institut (for Simonyan).
(Peat)

SIMONYAN, A.A., kand.tekhn.nauk.

Determining the pressure and power necessary to extrude peat
through the nozzle of a spreading machine. Torf.prom. 34 no.8:
23-25 '57. (MIRA 11:1)

L.Moskovskiy torfyanoy institut.
(Peat machinery)

L 38259-66 EWT(1)/I JK

ACC NR: AF6028652

(A,B)

SOURCE CODE: UR/0346/66/000/005/0020/0021

AUTHOR: Chorodisin, G. G. (Candidate of veterinary sciences); Simonyan, A. A. (Senior scientific colleague); Ivanova, L. G. (Junior scientific colleague); Rastorguyeva, O. I. (Veterinarian)

ORG: Chochen-Ingush Scientific Research Veterinary Station (Chechono-Ingushskaya nauchno-issledovatel'skaya veterinarnaya stantsiya)

TITLE: Epizootic significance of positive reactions to brucellosis in cows some time after vaccination

SOURCE: Veterinariya, no. 5, 1966, 20-21

TOPIC TAGS: epizootiology, brucellosis, vaccino, animal, bacteriology, veterinary medicine

ABSTRACT: The authors found a substantial number of cows with titers suggestive of brucellosis some 2 years after the last vaccination. Some animals become Brucella carriers after they are vaccinated, as confirmed by isolation of the pathogen from their milk. Brucellosis cultures were isolated from animals with positive agglutination and complement-fixation reactions with whey. However, the pathogen of Brucellosis could not be isolated from cows that had only a positive agglutination reaction with whey. [JPRS: 36,932]

SUB CODE: 06 / SUEM DATE: none

Card 1/1

UDC: 619:616.981.42-036.2:636.2

0917

2273

USSR / Farm Animals. Honeybee.

Q-5

Abs Jour: Ref Zhur-Biol., No 23, 1958, 105785.

Author : Simonyan, A. G., Simonyan, A. A.
Inst : AS ArmSSR.
Title : On the Problem of the Pollination of Apple Trees
by Honeybee.

Orig Pub: Aykakan SSR Gitutyunneri Akademiai tegekagir.
Biologiakan ev gyukhatntesakan gitutyunner, Izv.
AN ArmSSR, Biol. i s.-kh. n., 1958, 11, No 2,
99-103.

Abstract: Experiments carried out in the mountain zone of
Armenia established that with the aid of honeybees
the fertilization of apple tree blossoms in-
creased by 46.7-76% as compared with self-pollin-
ation, and the weight of the fruits increased by
40-73 g. The training of bees with aromatized
syrup produced an increase up to 50% in the fre-
quentation of flowers by the bees.

Card 1/1

SIMONYAN, A.A.

Biology of flowering in new apple varieties and selection of
varieties for pollination. Nauch. trudy Erev. un. 69 Ser. biol
nauk no. 8:161-166 pt. 1 '59. (MIRA 14:4)
(APPLE BREEDING)

SIMONYAN, A.A.; MNIKHIN, L.S.

Using chlorides for winter maintenance of city areas. Stor.-
nauch.rab. AKKH no.3:55-66 '60. (MIRA 15:4)
(Chlorides) (Snow removal)

SIMONYAN, A.A.

Biology of flowering in new apple varieties. Izv. AN Arm. SSR. Biol.
nauki 13 no.3:91-95 Mr '60. (MIRA 13:8)

1. Kafedra darvinizma i genetiki Biologicheskogo fakul'teta Yerevanskogo
gosudarstvennogo universiteta.
(MICHURINSK--APPLE--VARIETIES)
(PLANTS, FLOWERING OF)

SIMONYAN, A.A.

Viability of pollen gathered by bees and of apple seedlings
obtained through pollination by bees. *Agrobiologia* no.2:291-
293 Mr-Ap '61. (MIRA 14:3)

1. Yerevanskiy gosudarstvennyy universitet, kafedra darvinizma i
genetiki. (Apple) (Fertilization of plants)

SIMONYAN, A.A.

Morphogenesis of flower buds of the apple tree in the basin of
Lake Sevan. Izv. AN Arm. SSR. Biol. nauki 14 no.6:81-84 '61.
(MIRA 14:10)

1. Nauchno-issledovatel'skiy institut vinogradarstva, vinodeliya
i plodovodstva Ministerstva sel'skogo khozyaystva Armyanskoy SSR.
(SEVAN LAKE REGION—APPLE) (BUDS)

SIMONYAN, A.A.

Activity of adenosinetriphosphatase in the mitochondrias of
different chick organs and its changes under the influence
of heat treatment. Izv. AN Arm. SSR. Biol. nauki 17 no.4:
21-24 Ap '64. (MIRA 17:6)

1. Institut biokhimii AN Armyanskoy SSR.

IGHEATYAN, G.H., akademik; SIMONYAN, A.A.

Oxidative phosphorylation in brain mitochondria of a chick embryo during its development. Dokl. AN Arm. SSR 41 no.2: 97-103 1965. (MIRA 18:11)

1. AN ArmSSR (for Kanyatyan). Submitted April 30, 1965.

SEMONYAN, A.A.

Interrelationship between oxidation and phosphorylation in mitochondria of the chick embryo liver in the course of embryogeny. Izv. AN Arm. SSR. Biol. nauki 18 no.9:39-45 (MIRA 18:12) S '65.

1. Institut biokhimii AN Armyanskoy SSR. Submitted July 14, 1965.

SIMONYAN, A.A.

Lipoid-protein fraction, isolated from the liver of the chick embryo, and its effect on the oxidative phosphorylation in mitochondria of the brain. Izv. AN Arm. SSR. Biol. nauki 18 no.11:33-39 N '65. (MIRA 19:1)

1. Institut biokhimi AN Armyanskoy SSR. Submitted July 14, 1965.

KUNTSEVICH, I.P., kand. tekhn. nauk; SIMONYAN, A.A., kand. tekhn. nauk;
BATURIN, T.F., inzh.

Garden and park machinery and devices. Nov. tekhn. zhil.-kom. khoz.:
Blagoustr. gor. [no.1]:12-25 '61. (MIRA 18:5)

SIMONYAN, A.A.

Phosphoprotein phosphatase activity in the tissues of various
animals. Izv. AN Arm. SSR. Biol. nauki 15 no.6:77-81 Je '62.
(MIRA 15:6)

(PHOSPHOPROTEIN)

(PHOSPHATASE)

ADUNTS, G.T.; SIMONYAN, A.A.

Studying the dynamics of phosphoprotein phosphatase activity during the development of a chick embryo. Izv. AN Arm. SSR. Biol. nauki 15 no.9:35-45 S '62. (MIRA 15:11)

1. Institut biokhimi AN Armyanskoy SSR.
(PHOSPHOPROTEIN PHOSPHATASE)(EMBRYOLOGY--BIRDS)

USSR / Farm Animals. Honeybee:

Q-5

Abs Jour: Ref Zhur-Biol., No 23, 1958, 105785.

Author : Simonyan, A. G., Simonyan, A. A.

Inst : AS ArmSSR.

Title : On the Problem of the Pollination of Apple Trees
by Honeybee.

Orig Pub: Aykakan SSR Gitutyunneri Akademiai tegekagir.
Biologiakan ev gyukhatntesakan gitutyunner, Izv.
AN ArmSSR, Biol. i s.-kh. n., 1958, 11, No 2,
99-103.

Abstract: Experiments carried out in the mountain zone of
Armenia established that with the aid of honeybees
the fertilization of apple tree blossoms in-
creased by 46.7-76% as compared with self-pollin-
ation, and the weight of the fruits increased by
40-73 g. The training of bees with aromatized
syrup produced an increase up to 50% in the fre-
quentation of flowers by the bees.

Card 1/1

L 24577-66 EWT(d)/EWT(l)/EWT(m)/EWT(w)/EWT(n)-2/TTC(m)-6
SOURCE CODE: UR/0022/65/018/004/0055/0072

ACC NR: AP6015550

AUTHOR: Simonyan, A. M.

ORG: Institute of Mathematics and Mechanics, AN ArmSSR (Institut matematiki i mekhaniki) 39
13

TITLE: Temperature problem of cylindrical tubes under conditions of plastic retention

SOURCE: AN ArmSSR. Izvestiya. Seriya fiziko-matematicheskikh nauk, v. 18, no. 4, 1965, 55-72 26

TOPIC TAGS: material deformation, heat stress

ABSTRACT: The article concerns the problem of the equilibrium of a cylindrical tube subjected to the action of heat flux, as well as internal and external uniform pressures, under conditions of plastic retention with plane deformation. The applicability of the method of successive refinements is discussed. The case of linear temperature change according to tube thickness is considered, as well as the case in which the action of temperature is absent. A numerical example is given, from which it is concluded that 1) in the case in which there are no pressures on tube walls deformations and displacements will not be time-dependent, while stresses will diminish with time proportionally to one another; and 2) radial stresses are significantly smaller than tangential stresses, while radial deformations are greater. Orig. art. has: 5 figures, 76 formulas, and 3 tables. 2

SUB CODE: 20 / SUEM DATE: 30Jan65 / ORIG REF: 010
Card 1/1 BK

SECRET

... on the
... Ser. 112...
... 1955 ...

... AN ... BSR.

SPONTANEA, A.S.

Problem involving the temperature of cylindrical tubes under conditions of plastic heredity. Izv. AN Arm. SSR, Ser.-fiz.-mat. nauk 18 no.4:55-72 1965. (MIRA 18:9)

1. Institut matematiki i mekhaniki AN Armyanskoy SSR.

1. 0717-07 501 (R. 0717-07/501(0)), 1/1 (R. 0717-07/501(0))
ACC NR: AP6030174 SOURCE CODE: UR/0430/66/019/003/0039/0053

19
18
B

AUTHOR: Simonyan, A. M.

ORG: Institute of Mathematics and Mechanics, AN Armenian SSR (Institut matematiki i mekhaniki, AN Armyanskoy SSR)

TITLE: Some centrally symmetric thermal problems of nonlinear heredity

SOURCE: AN ArmSSR. Izvestiya. Mekhanika, v. 19, no. 3, 1966, 39-53

TOPIC TAGS: heredity, nonlinear heredity, strain history, nonlinear strain history, thermal problem, spherical vessel

ABSTRACT: The stresses and strains are investigated in a spherical vessel (with inner and outer radii R_1 and R_2 , respectively) subjected to a time-variable heat flow given by a certain time-dependent temperature function. The general solution of this creep²⁶ problem is used to solve the following particular problems by applying proper boundary conditions: 1) a thick-walled ($R_1 \ll R_2$) spherical vessel subjected to heat flow and pressures on both surfaces; 2) an infinite solid ($R_1 \rightarrow 0, R_2 \rightarrow \infty$) with a point heat source in it; 3) a spherical vessel filled with incompressible liquid; 4) a thin-walled ($R_1 < R_2$) spherical vessel exposed to heat flow and pressures. The solution of these problems is derived for media obeying the laws of nonlinear heredity (strain

Card 1/2

L 05707-67

ACC NR: AP6030174

history). The nonlinear integral Volterra equations of the second kind encountered in these problems are solved by a method developed by P. A. Aleksandryan, N. Kh. Arutyunyan, and M. M. Manukyan in Prikladnaya matematika i mekhanika, no. 6, 1958. An approximate solution of the last problem is also given for practical purposes. The stress distributions are calculated in the case of elastic deformation as well as in cases of a steady and transient creep, and the results are given in tabular and graphic form. Orig. art. has: 1 figure, 1 table, and 72 formulas. [VK]

SUB CODE: 20/ SUBM DATE: 26Mar66/ ORIG REF: 005/ ATD PRESS: SOL8

Card 2/2

PROCESSES AND PROPERTIES INDEX

112

ca

N metabolism in malaria. A. T. Samoyan. *Klin Med (U. S. S. R.)* 18, No. 12, 110-11(1971); (*Chem. Abstr.* 1972, 11:2714).--Data are presented that confirm the supposition of liver damage in malaria, its ability to regulate N metabolism being impaired. The power of the kidneys to concentrate urea also is lowered.
C. S. Shapiro

ASB-SLA METALLURGICAL LITERATURE CLASSIFICATION

ASB-SLA METALLURGICAL LITERATURE CLASSIFICATION										ASB-SLA METALLURGICAL LITERATURE CLASSIFICATION									
ASB-SLA METALLURGICAL LITERATURE CLASSIFICATION										ASB-SLA METALLURGICAL LITERATURE CLASSIFICATION									

SIMONYAN, A.T.

Vitamin, C and malaria. Dokl. AN Arm. SSR 9 no.2:93-95 '48.

(MIRA 9:10)

1. Propedevticheskaya terapevticheskaya klinika Yeranskogo meditsinskogo insituta, Yerevan. Predstavleno L.A. Oganesyanom.
(Ascorbic acid) (Malaria)

Л. П. П. П.

1970

С колебаниями в содержании неорганического фосфора в крови при
заболеваемости психици. Труды Южрыеванск. НгеД. ИИ-ТА. ВП. 6,
1970, с. 75-79.

SO: Levotis' No. 3⁴

SIMONYAN, A.T.

Glutathione metabolism in malaria. Izv. AN Arm. SSR, Biol. i sel'khoz.
nauki 7 no.5:71-76 My '56. (MLRA 9:8)

1. Propodevticheskaya terapevticheskaya klinika Yerevanskogo
meditsinskogo instituta.
(GLUTATHIONE) (MALARIA)

USSR/General Problems of Pathology. Pathophysiology of
Infection.

U

Abs Jour: Ref Zhur-Biol., No 8, 1958, 37114.

Author : ~~Simonyan, A. T.~~

Inst : State Clinical Hospital Arm. SSR.

Title : The Characteristics of Nitrogen Metabolism During
Malarial Coma.

Orig Pub: Sb. nauchn. tr. Pesp. klinich. bolnitsy Arm.SSR.
1957, 1, 33-35.

Abstract: No abstract.

Card : 1/1

USSR / Pharmacology, Toxicology. Anti-Inflammatory Drugs. V

Abs Jour: Ref Zhur-Biol., No 9, 1958, 42443.

Author : ~~Simonyan, A. T.~~; Bunatyan, V. P.; Nanagyulyan, O. A.

Inst. : Republican Clinical Hospital ArmSSR.

Title : Butadione in the Therapy of Polyarthritits of Various Etiology.

Orig Pub: Sb. nauchn. tr. Resp. klinich. bol'nitsy, ArmSSR, 1957, 1, 123-129.

Abstract: No Abstract.

Card 1/1

SIPONYAN, A.T.; AVETISYAN, A.M.; MELIK-ADAMYAN, A.A.

Therapeutical effect of the new Russian preparation "arpenal" in
bronchitic asthma. Izv. AN Arm SSR. Biol. i sel'khoz. nauki 11
no.2:31-36 F '58. (MIRA 11:3)

1. Kafedra gospital'noy terapii Yerevanskogo meditsinskogo instituta.
(PHARMACOLOGY) (ASTHMA)

SIMONYAN, A.T.; BUNATYAN, B.P.; AVETISYAN, A.M.

Treating stenocardia and hypertension with ganglerone. Izv. AN Arm.
SSR. Biol. i selkhoz. nauki 11 no.9:99-104 S '58. (MIRA 11:12)

1. Gospi'tal'naya terapevticheskaya klinika Yerevanskogo meditsinskogo
instituta.

(ANGINA PECTORIS) (HYPERTENSION) (GANGLERONE)

SIMONYAN, A.T., prof.; BUMATYAN, V.P., dots.; AVETISYAN, A.M., kand.med.
nauk (Yerevan)

Treatment of stenocardia and hypertension with ganglerone. Klin.med.
36 no.3:76-80 Mr '58. (MIRA 11:4)

1. Iz gospiatal'noy terapevticheskoy kliniki (zav. - prof. A.T. Simonyan) Yerevanskogo meditsinskogo instituta (dir. - dotsent G.A.Bevandyan)

(PARASYMPATHOLYTICS, ther. use
ganglerone in angina pectoris & hypertension (Rus))
(ANGINA PECTORIS, ther.
ganglerone (Rus))
(HYPERTENSION, ther.
ganglerone (Rus))