

OZEROV, Fedor Ivanovich; SHAYKEVICH, M.D., inzh., restsenzent; DONTSOV,  
A.Ya., inzh., red.

[Planning, norm setting and accounting for loading and unloading  
operations] Planirovanie, normirovanie i uchet pogruzozhno-  
razgruzochnykh rabot. Moskva, Vses.izdatel'sko-poligr. ob'edi-  
nenie M-va putei soobshcheniia, 1961. 87 p. (MIRA 14:12)  
(Loading and unloading) (Railroads—Freight)

OZEROV, F.I.; LYAKHOV, G.A., inzh., retsenzent; SHAYKEVICH, M.D.,  
inzh., retsenzent; SHISHKIN, G.S., inzh., red.;  
KHITROVA, N.A., tekhn. red.

[Labor protection and safety measures in materials handling]  
Okhrana truda i tekhnika bezopasnosti v gruzovom khoziaistve.  
Moskva, "Transport," 1964. 143 p. (MIRA 17:2)

S/081/61/000/022/069/076  
B144/B138

AUTHORS: Dmitriyeva, N. S., Genel', S. V., Shaykevich, R. N.

TITLE: Antifrictional properties of plastics

PERIODICAL: Referativnyy zhurnal. Khimiya, no. 22, 1961, 452-453,  
abstract 22P76 (Nauchno-issled. tr. Tsentr. in-t nauchno-  
tekhn. inform. legk. prom-sti, sb. 7-1960, 15-24)

TEXT. The article describes methods of determining the antifriction properties (friction and wear coefficients) which are the main characteristics of materials for the light industrial machine bearings. Laboratory test results are given, which were obtained under conditions very similar to production, for the following materials: wood particle board on cresol resin (DPK), on SKS-1 (SKS-1)) and an aqueous resin CEB (SFV) base (DPK in SFV); board made from leached chips impregnated with CEB-1 (SBS-1) alcoholic phenol resin; tree-cast block capron, and antifrictional grey cast iron. The effect of surface finish and working conditions on the friction coefficient of disk-shaped samples was studied (with and without lubricant). It was found that DPK on an aqueous SFV resin base has

Card 1/2

Antifrictional properties of

S/081/61/000/022/069/076  
B144/B138

in alcoholic SKS-1 resin, with insufficient lubricant, a higher friction coefficient 1.5 times, and lower wear resistance. The results obtained by testing particle board and capronite in insufficient oil shows that capronite is the most resistant, then DPK in SKS-1 and last DPK in SVF.

[Abstracter's note: Complete translation.]

Card 2/2

L 10451-67 INT(M)/INT(K)/SER(U)/PUB (U)IC) 52/10  
ACC NR: AP6022508 SOURCE CODE: UR/0133/66/000/004/0348/0349 42

AUTHORS: Kaufman, M. Sh.; Shaykevich, S. A.; Kolmogorov, V. L.; Gleyberg, A. Z.; 41  
Aleshin, V. A.; Moiseyev, G. P.; Vostrikov, G. A.; Likhtenshteyn, D. Ye.; Gasilov,  
V. V.; Kuznetsov, B. N.; Borisov, L. M.

ORG: none

TITLE: Manufacture of two-layer pipes with continuous longitudinal channels between layers

SOURCE: Stal', no. 4, 1966, 348-349

TOPIC TAGS: pipe, steel, metal tube, metal forming

ABSTRACT: A method for manufacturing double layer steel Kh18N10T pipes with continuous longitudinal channels between the layers was developed. Two methods for the production of channels on the outer surface of the inner pipe were investigated--a rolling method and a cutting method. A schematic of the experimental installation is presented (see Fig. 1). It was found that both methods yielded pipes with smooth surfaces and uniform inner channels between the layers. The overall rate of pipe production, employing the cutting or drawing method, was 200 meters/hour. Double layer pipes having a diameter from 17 to 45 mm have been produced industrially. The following people took part in the experimental work: P. S. Ryzhikov, N. A. Fedotovskiy, A. F. Nichkov, Ye. I. Tikhonov, and Ya. Z. Grinberg.

UDC: 669.774.35

Card 1/2

L 10451-67

ACC NR: AP6022508

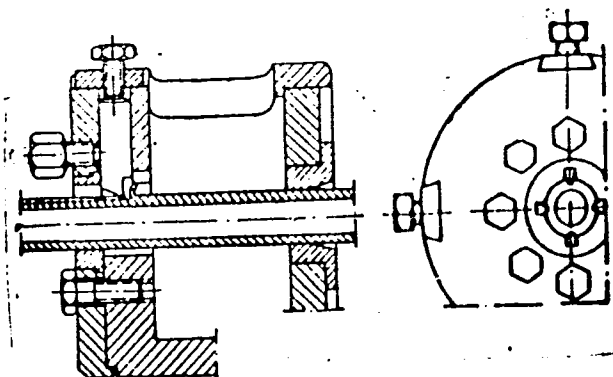


Fig. 1. Yoke for drawing longitudinal channels on the outer surface of pipes.

Orig. art. has: 3 graphs.

SUB CODE: 11/ SUBM DATE: none

Bimetals

Card 2/2 b7c

ACC NR: AP60 SOURCE CODE: UR/0133/00/000 7013/70134

AUTHOR: Shoykovich, S. A. (Engineer)

ORG: First Ural Pipe Plant (Pervouralskiy metallicheskyy zavod)

TITLE: Cold drawing tubes in a work hardened state

SOURCE: Stal', no. 8, 1966, 732-734

TOPIC TAGS: cold drawing, work hardening, cold working, metal tube

ABSTRACT: The author conducted a series of experiments on drawing stainless tube without mandrels. The results of these experiments were used for setting up new shortcuts in tube drawing. Among these shortcuts is the use of powdered soap in drawing tubes made from austenitic steel without mandrels and the use of special fittings on drawing rolls for reducing drawing forces by 25-30%. These shortcuts make it possible to draw tubes after rolling on KhPTP and KhPT rolling mills without preliminary heat treatment. Thus pipe can be drawn to 70% deformation in a cold worked state with a total drag coefficient of 3.3. Orig. art. has: 2 figures, 2 table.

SUB CODE: 13/ SUBM DATE: None

UDC: 621.774.353.37

Card 1/1

Shaykevich, S.B.

№180/60/000/02/038/028  
#071/R135

AUTHOR: Ogritsov, S. V.

TITLE: Scientific Conference on the Metallurgy, Chemistry and Electrochemistry of Titanium

PERIODICAL: Izvestiya Akademii nauk SSSR, Otdeleniya tekhnicheskikh nauk, Metallurgiya i topivo, 1966, № 2, pp 107-108 (USSR)

ABSTRACT: The conference took place on January 11-20 1966 in Moscow in the Institute of Metallurgy, Academy of Sciences, USSR. It was organized by the Committee for Coordination of Scientific Research on Titanium. About 400 representatives of academic and research institutions and works participated in the conference. The conference was divided into four sections: 1) raw materials and smelting of ores; 2) chemical technology and chlorination; 3) metallurgical methods of smelting titanium; and 4) electrolysis. The following papers were read:

Metallurgical evaluation of some new deposits (S.B. Shaykevich); State and prospects of improving the technology of smelting of titanite concentrates (V.A. Kozhichenko and V.I. Solov'yev).

Card 1/3

Thermodynamic investigations of titanium compounds (F.B. Zhilovoy and V.A. Reznichenko); An investigation of the process of reduction of iron-titanium concentrates with carbon (L.B. Sapozhnik); Some hydrodynamic and kinetic features of the process of chlorination of titanium dioxide in molten chlorides (A.M. Kuznetsov); Oxidation of titanium tetrachloride with oxygen (L.S. Gerasimov, R.M. Kuznetsov, G.A. Reznichenko); Utilization of oxide pigments for the production of titanium (V.A. Kozhichenko and V.I. Solov'yev); Investigation of the physical and chemical properties of the alloy TiAl<sub>3</sub> (N.K. Druzhinina); An investigation of phase equilibria liquid-vapor in systems formed by titanium tetrachloride with chloroacetylides of mono- and trichloroacetic acids (G.V. Seriyakov, S.A. Vaks, L.S. Sidorova); Determination of the summary content of carbon in titanium tetrachloride (G.V. Seriyakov, S.A. Vaks, I.M. Golovanyov); Basic conditions for standardised

Card 2/3

Results of the process of production of titanium by the magnesium thermite method (S.V. Ogurtsov, V.A. Reznichenko, V.K. Ustinov, V.I. Kozhichenko, A.I. Dedkov); On the two stage method of production of titanium by the sodium thermite method (V.A. Reznichenko, S.V. Ogurtsov); Production of a high purity titanium (V.I. Kozhichenko); The influence of the content of chlorine in a high purity titanium sponge on the process of smelting and on the quality of the metal produced (G.M. Lyubimov); The production of titanium and its alloys by refining of V.I. Lashin); On the production of titanium by electrolysis (A.P. Bardin, A.B. Gurev); Electrolysis of titanium dioxide in fluoride-chloride melts (I.P. Bardin, A.A. Kazam); Electrolytic production of titanium from chloride-fluoride melts (V.M. Lyubimov, N.N. Rozanov, N.A. Lyubimova); Electrolytic refining of titanium waste products (V.M. Lyubimov); and a number of other reports.

Card 3/3



S/081/61/000/019/042/085  
B110/B101

AUTHORS: Borodina, M. L. Shaykevich, S. B., Piktorsinskaya N. K.,  
Gubareva, N. A.

TITLE: Preparation of titanium dioxide from highly titaniferous slags  
by means of sulfuric acid

PERIODICAL: Referativnyy zhurnal. Khimiya, no. 19, 1961, 283, abstract  
19K53 (Lakokrasochn. materialy i ikh primeneniye. no. 1, 1961,  
33 - 36)

TEXT: Extraction of  $TiO_2$  from 75 - 85% ilmenite slag yields 95 - 96%. The  
 $H_2SO_4$  consumption for extraction of 1 t  $TiO_2$  from 42% ilmenite concentrate  
is 3.75 t. and 2.51 t for 80% titaniferous slags. The use of slag instead  
of ilmenite concentrate saves >33%  $H_2SO_4$  and avoids all technical operations  
connected with the formation of iron sulfate. [Abstracter's note: Complete  
translation ]

Card 1/1

S/137/62/000/006/030/163  
A006/A101

AUTHORS: Borodina, M. L., Ziv, Ye. F., Shaykevich, S. B., Gubareva, N. A.  
TITLE: Utilization of ilmenite concentrates for the production of pigmentary titanium dioxide with the aid of the sulfuric acid method  
PERIODICAL: Referativnyy zhurnal, Metallurgiya, no. 6, 1962, 13, abstract 6096  
(In collection: "Titan i yego splavy", no. 5, Moscow, AN SSSR, 1961, 282 - 288)

TEXT: It was established that with greater intensity of utilizing the ilmenite concentrate, the degree of Ti extraction decreases from 94 to 76%. Best results regarding the requirements of pigmentary  $TiO_2$  production by the sulfuric acid method, are obtained with a concentrate of the following composition:  $TiO_2$  49 - 53%;  $FeO$  20 - 31%;  $Fe_2O_3$  14 - 22%; the amount of rutilized ilmenite is 0.3 - 1.78%. Pigmentary  $TiO_2$ , obtained from this concentrate, is distinguished by a high degree of whiteness and dispersity, and is characterized by the least Cr and V admixtures.

L. Vorob'yeva ✓

[Abstracter's note: Complete translation]

Card 1/1

BORODINA, M.L.; ZIV, Ye.F.; SHAYKEVICH, S.B.; GUBAREVA, N.A.

Use of ilmenite concentrates for the production of pigmented  
titanium dioxide by the sulfuric acid method. Titan i ego  
splavy no.5:282-288 '61. (MIRA 15:2)  
(Ilmenite)  
(Titanium oxide)

BORODINA, M.L.; SHAYKEVICH, S.B.; KAPUSTINA, M.D.; VASIL'YEVA, N.L.

Ilmenite concentrates for the production of titanium dioxide by the  
sulfuric acid method. *Lakokras.mat. i ikh prim.* no.2:22-25 '63.  
(MIRA 16:4)

(Titanium oxides)

(Ilmenite)

~~SHAYKEVICH, S. S.~~ *Shaykevich, S. S.*

*1120* ✓ Gold Rolling of Stainless Tubes without Cooling. S. S. Shancevich, N. L. Oslon, P. K. Stasevich, and A. G. Leveinen. (Stal', 1950, (4), 337-342). [in Russian]. It is concluded from test results that the elimination of cooling during the cold rolling of stainless tubes will, under certain conditions, lead to increased productivity and tool life.—S. K.

*4*

*ABC MK*

SHAYKEVICH, S. S.

GONCHAREVSKIY, M.S., kandidat tekhnicheskikh nauk.;DANILOV, F.A., inzhener.;  
SHAYKEVICH, S.S., inzhener.;STASEVICH, P.K., inzhener.

Repeated cold tube drawing using a phosphate film. Stal' 17 no.3:  
243-253 Mr '57. (MIRA 10:4)

1. Vsesoyuznyy nauchno-issledovatel'skiy trubnyy institut i  
Novotrubnyy zavod.  
(Extrusion (Metals)) (Tubes)

SHAYKEVYCH, V.D.; BELYANKIN, F.P., diysnyy chlen.

Matrix focal relationship applied to frame calculations by the method of nodal deformation distribution. Dop. AN URSR no.4:324-329 '52. (MLRA 6:10)

1. Akademiya nauk Ukrayins'koyi RSR (for Belyankin). 2. Dnipropetrovs'kyy inzhenerno-budivel'nyy instytut (for Shaykevych). (Framing (Building))

SHAYKEVICH, V. D.

SHAYKEVICH, V. D.: "On certain problems in applying the theory of matrices to the calculation of statically indeterminate systems". Dnepropetrovsk, 1955. Min Higher Education Ukrainian SSR. Dnepropetrovsk Order of Labor Red Banner Metallurgical Inst imeni I. V. Stalin. (Dissertations for the Degree of candidate of Technical Sciences.)

So: Knizhnaya letopis' No. 49, 3 December 1955. Moscow.



SOV/124-57-4-4859

Translation from: Referativnyy zhurnal. Mekhanika, 1957, Nr 4, p 137 (USSR)

AUTHOR: Shaykevich, V. D.

TITLE: On the Determination of the Numerical Value of a Matrix Operator in the Calculation of Regular Systems (Ob opredelenii chislennogo znacheniya matrichnogo operatora pri raschete regulyarnykh sistem)

PERIODICAL: Sb. nauch. tr. Dnepropetr. inzh.-stroit. in-ta, 1955, Nr 1-2, pp 176-192

ABSTRACT: The paper analyzes matrix-type regulator rod systems in the process of the calculation of which it is necessary to determine the value of the operator K, which in its quality as a matrix focus ratio performs the linear transformations of the unknown vectors in an infinite basic system; K is the square matrix of the n-th order satisfying the equation

$$F(K) = AK^2 + BK + C = 0 \quad (1)$$

where A, B, and C are the known square matrices. These equations are solved by the conventional method [ref. Gantmakher, Teoriya matrits (Matrix Theory), Gostekhizdat, 1953]. Let  $f(\lambda) = |F(\lambda)|$  be a

Card 1/3

SOV/124-57-4-4859

On the Determination of the Numerical Value of a Matrix Operator (cont.)

selection of matrix  $N$ , therefore, becomes entirely single-valued. All the  $P$  solutions of equation (2) are then constructed and it is shown that for all of these  $P$ , the  $P \cdot N \cdot P^{-1}$  has the same value. A parallel account is given relative to regular systems of the first and second kind. Bibliography: 13 references.

G. N. Chebotarev

Card 3/3

SOV/124-58-5-5881

Translation from: Referativnyy zhurnal, Mekhanika, 1958, Nr 5, p 134 (USSR)

AUTHOR: Shaykevich, V.D. [ Shaykevych, V.D. ]

TITLE: ~~Elements of Matrix Theory of Fixed-point Relationships (Elementy teorii matrichnykh fokusnykh otnosheniy)~~ in Ukrainian

PERIODICAL: Zb. nauk. prats'. Dnipropetr. inzh-budiv. in-t, 1957, Nr 3, pp 111-130

ABSTRACT: Following Sh.M. Gofman (Tr. TASHIIT, 1949, Nr 2) the author develops the idea of applying the generalized matrix method of fixed points to the calculation of multispans, multi-floor frames with vertical stanchions. It is demonstrated by the author that by applying the method of slope-deformation to the design calculation of such frames it is always possible to represent the matrix of the coefficients of a corresponding system of canonical equations in the form of a "tri-cellular" (block) matrix. In algebra blocks and cells are considered as generalized number-elements of an ordinary numerical matrix. Operations with the cellular matrices are performed in accordance with the same formal rules as in the case when there are numerical elements instead of cells. The indicated procedure

Card 1/2

SHAYK EICH, U.D.

report presented at the 1st All-Union Congress of Theoretical and Applied Mechanics, Moscow, 27 Jan - 3 Feb '60.

- 303. G. I. Buz (Moscow): Investigation of the viscoplastic flow of structured systems (lubricants, clays, etc.) by the differential method.
- 304. B. A. Darinskii (Moscow): Experimental investigation of the strain distribution in soil layers under foundations of varying dimensions.
- 305. A. A. Buzdarian (Krasnodar): On the stability and vibrations of anisotropic plates and shells.
- 306. T. T. Buzdarian (Izrael): On the theory of metal plates.
- 307. D. G. Kabanov (L'viv): Some biharmonic problems concerning an infinite strip with reinforced edges.
- 308. E. J. Hoff (Stancovo): Reversed creep: a remark to the creep buckling theory of Babitsky and Shostakov.
- 309. E. M. Rubinskaia (Minsk): Minimum weight forces in a redundant truss designed for combined loading.
- 310. B. I. Rudniko-Gorodnitski (Dostovskaya): The stability of thin-walled bars under combined compression, flexure, and torsion.
- 311. I. S. Pavlov (Moscow): The non-linear solutions of the general theory of the stability of elastoplastic deformations and their linearization in the method of elastic solutions.
- 312. E. A. Malozemov (Moscow): The physical foundations of the mechanics of frozen soils.
- 313. E. P. Chernikov (Leningrad): Saint Venant's problem for thin-walled torsional tubes.
- 314. E. I. Cherniak (Izrael): On some properties of the tension diagrams of metals in the range of small elastoplastic deformations.
- 315. E. S. Prokhanov (Krasnodar): An axiomatic problem concerning elastic bodies with a cylindrical surface.
- 316. E. S. Chepuravskii (Leningrad): On the forced transverse vibrations of a ship hull.
- 317. P. A. Chuvpilo (Krasnodar): On the integration of the equations in the plane problem of elastostatics.
- 318. V. B. Gerasimov (Krasnodar): The theory of the stability of structures and plates.
- 319. G. S. Shupry (Moscow): On the limit equilibrium of shells of revolution.
- 320. E. S. Buzdarian (Moscow): A contribution to the formulation of problems concerning anisotropic plastic shells.
- 321. E. I. Ryzhikov (Moscow): Equations of some three-dimensional models of plasticity with application to the problem of contact.
- 322. M. P. Burmeister (L'viv): The solution of some contact problems of elasticity (equation of Prandtl type).
- 323. P. I. Berman (Moscow): A heavy medium weakened by an elliptical cavity.
- 324. P. I. Berman (Moscow): The method of integral equations in static problems of elasticity.
- 325. M. P. Berr (Moscow): Creep of non-uniformly heated bodies.
- 326. M. I. Izrael (Moscow): Automated solutions of a perfectly plastic medium.

SHAYKEVICH, V.D.

A variant of the solution of I.G. Bubnov's problem. Izv.vys.  
ucheb.zav.; stroi. i arkhitekt. 4 no.6:14-18 '61. (MIRA 15:2)

1. Dnepropetrovskiy inzhenerno-stroitel'nyy institut.  
(Elastic rods and wires)

SHAYKEVICH, V.D., kand.tekhn.nauk (Dnepropetrovsk)

Stability of matrix regular systems. Rasch. prostr. konstr. no.8:  
245-279 '62. (MIRA 16:6)

(Matrices) (Structures, Theory of)

BELOTVERKOVSKIY, I.Ye.; ANIZKOVICH, V. Ye.

Effect of dynamic action on structural elements of scrap metal  
plants. Izv. vuzov. stroit. 41 no.11:26-27 1964. (MIRA 17:6)

1. Dnepropetrovskiy inzhenerno-stroitel'nyy institut.

SHAYKEVICH, V.N.

Regularizing wages and work standards in the veneer and match  
industries. Der.prom. 6 no.8:26-28 Ag '57. (MIRA 10:11)  
(Wages) (Wood-using industries--Production standards)



SEYDALIYEV, F.S.; SHAYKEVICH, V.S.; KOZLOV, O.F.; SHEVAKIN, Yu.F.

Experimental investigation of metal shape changing during the  
pipe expansion process with conical rolls. Izv. vys. ucheb.  
zav.; chern. met. 6 no.7:112-116 '63. (MIRA 16:9)

1. Moskovskiy institut stali i splavov.  
(Pipe mills)

SHYKIN, Yu.F.; SHAYKEVICH, V.S.; SHYCALIYEV, B.S.

Determining the specific and full pressure during the rapid ex-  
pansion of tubes. Izv. vys. ucheb. zav.; Chern. met. 8 1964:13  
65-70 1965 (MIRA 1801)

1. Moskovskiy institut stali i splavov.

SHEVAKIN, Yu.F.; SHAYKEVICH, V.S.; SEYDALIYEV, F.S.

Speed conditions in the process of roller expansion of tubes.

Izv. vys. ucheb. zav.; Chern. met. 8 no.5:98-104 '65.

(MIRA 18:5)

1. Moskovskiy institut stali i splavov.

SHAYKH, L.; BELOGLAYEK, O.

Use of a quantometer in the analysis of steels. Zav.lab. 26 no.12:  
1380-1382 '60. (MIRA 13:12)

1. Soyedinennyye staleplavil'nyye zavody Kladno, Chekhoslovakiya.  
(Steel--Spectra)

SHAYKHAMANOV, M.Kh., kand. veterin. nauk

Prophylaxis and therapy of gastrointestinal diseases in young  
animals. Veterinariia 41 no.1:64-67 Ja '65. (MIRA 18:2)

1. Introduction

2. Methods

"On the Etiology, Treatment, and Prognosis of Gastroenteritis in Service  
Troops of the 7 Eastern Armies, Ministry of Education USSR. Guide  
written by the author and Theory of Internal Infectious Diseases. Min  
istry of Education USSR, Moscow, 1955. (Dissertation for the degree of  
Candidate in Medical Science)

3. Results and Discussion

SHARABRIN, I.G., prof., CHERKASOV, V.A., docent, SHAYKHAMANOV, M.K.,  
assistant, KOKOVIN, A.I., ordinator

Treatment of dyspepsia in calves by the method of the intraperitoneal  
injections of medicinal mixtures. Veterinarita 41 no.2:64-66 F '64.  
(MIRA 17:12)

L. Moskovskaya veterinarnaya akademiya.

Shayl... [Handwritten note]

PHASE I BOOK EXPLOITATION SOV/A266

Progressivnaya tekhnologiya i vysokoproduktivnyy in-  
strumntnyy appar Kirovskiy zavod (Advanced Processing  
and High-Productive Tools; Experience of the Kirov  
Machine Tool Plant) Moscow, MashSt, 1980.  
155 p. 5,500 copies printed.

Author: P. Ye. Dudnik, Engineer; Ed.: M. S. Gopokai, Chief  
Ed. (Southern Division, MashSt); V. K. Serlyuk, Engineer.  
PURPOSE: This booklet is intended for technical personnel  
and innovators.

COVERAGE: The booklet discusses the experience of innovators  
and technical personnel in introducing advanced processes  
and machine tools at the Kirovskiy zavod (Kirov Machine  
Tool Plant) for the manufacture of steam turbine  
rotors for tapping coarse threads, processing of cool-  
ing blades. Experience in introducing air-  
ing for interference fits, and in mastering the manu-  
facture of welded steam-turbine rotors is described. The

Card 1/3

Advanced Processing (Cont.) SOV/A266

booklet covers the advances in technology developed and  
introduced at the factory in the last few years. No  
personalities are mentioned. No references are given.

TABLE OF CONTENTS:

FOREWORD

Repin, M. N. Development in Turbine Manufacturing  
Processes at the Kirovskiy zavod - 111 5

Repin, M. N. and P. N. Pestushko. Some Special  
Features in the Processing of Steam Turbine Rotors  
of Large Diameter Internal Threads 49

Vol, L. A. Fitting of Keyways in Steam Turbine Disks  
and Shafts 71

Advanced Processing (Cont.) SOV/A266

Volzov, M. P., and V. L. Popov. Experience Using Arti-  
ficial Cooling for Interference Fits 90

Shagohov, P. A. Manufacture of Turbine Blades for the  
Dneprostroy Power-Plant (Soviet Union) 109

Shepil'skiy, P. Z. That's How in the Production of  
Turbine Blades 128

Zolotarev, K. D. Welded Steam Turbine Rotors 152

AVAILABLE: Library of Congress NK/TM/76  
11-18-69

Card 3/3



MIRZAYEV, M.F., starshiy nauchnyy sotrudnik; SHAYKHET, G.Kh., mladshiy  
nauchnyy sotrudnik; BERNINA, V.N., mladshiy nauchnyy sotrudnik;  
VADLENKO, S.K., mladshiy nauchnyy sotrudnik

Studying outbreaks of acute fever diseases caused by a virus of  
the Coxsackie group. Vrachdelo no.9:943-949 S '57. (MLRA 10:9)

1. Virusnaya laboratoriya (rav. - starshiy nauchnyy sotrudnik M.F.  
Mirzayev) Kirovskogo nauchno-issledovatel'skogo instituta  
epidemiologii i mikrobiologii  
(COXSACKIE VIRUSES)

SMIRNOVA, M.F., VASIL'YEVA, V.L., SHEVCHENKO, L.F., SEREDA, V.N., ~~SHAYKHET, G.Kh.~~

Study of the efficacy of vaccination against influenza. Vop.virus  
3 no.2:107-108 Mr-Apr '58 (MIRA 11:5)

1. Kiyevskiy institut epidemiologii i mikrobiologii.  
(INFLUENZA, immunology  
vacc., evaluation (Rus))

SHAYKHI, M.Kh., Cand Med Sci -- (diss) "Concerning certain  
laws for working out anti-influenza antibodies in experiment."  
Kiev, 1949, 18 pp (Kiev Order of Labor Red Banner Med Inst  
in Academician A.A. Boromolets) 200 copies (11, 20-49, 132)

SHAYKHEV, G.Kh.; RAPP, Yu.V.; MEDNIK, N.R.

Purification of influenza antisera. Zhur.mikrobiol.epid. i  
immun. 30 no.5:37-42 My '59. (MIRA 12:9)

1. Iz Kiyevskogo instituta epidemiologii i mikrobiologii.  
(INFLUENZA, immunol.  
antiserum, purification (Rus))

VASIL'YEVA, V.L.; SHAYKHET, G.Kh.

Incidence of influenza in Kiev and Chernigov Prvinces in  
1958-1959. Vop. virus. 5 no. 6:749 N-D '60. (MIRA 14:4)  
(KIEV PROVINCE--INFLUENZA) (CHERNIGOV PROVINCE--INFLUENZA)

VAZNYUKOVA, V.I. (Kiyev); SHAYKHET, G.Kh. (Kiyev)

Incidence of Influenza in Kiev and Chernigov Provinces in 1958-1959.  
Izv. nauch. stud. Inst. inf. bcl. no. 4:196-205 '62.

(MIRA 1816)

ANDREYUK, V.A.; SHAYKHULIN, R.K.

Stability of a consolidated power system with "weak" couplings  
with dangerous unbalance of power relationships in the unifying  
systems. Izv. NIIPPT no.5:236-246 '60. (MIRA 14:1)

(Electric power distribution)  
(Interconnected electric utility systems)

ANDREYUK, V.A.; GORBON, I.A.; SHAYKHULIN, R.R.

Hysteresis moments in salient-pole electrical machinery. Izv.  
NIIPT no.7:259-271 '61. (MIRA 14:9)  
(Electric machinery)



BAYEVA, I.Ye.; SILANT'YEVA, Ye.V.; GAZAL'YAN, S.I.; KRASKOVA, N.I.; SHAYKHULINA, N.N.; SIMEL'NIKOV, N.A.

Use of a decoction of *Alhagi camelorum* for the treatment of dysentery. *Zdrav.Turk.* 3 no.3:46-48 My-Je '59. (MIRA 12:11)

1. Iz kafedry mikrobiologii (zav. -- dotsent A.I.Koval'chuk) Turkmenskogo meditsinskogo gosudarstvennogo instituta im. I.V. Stalina i infektsionnoy bol'nitsy Leninskogo rayona Ashkhabada (glavnyy vrach - I.Ye.Bayeva).

(DYSENTERY)

(ALHAGI CAMELORUM--THERAPEUTIC USE)

S/020/63/148/006/014/023  
B117/B186

AUTHORS: Bashkirov, A. N., Corresponding Member AS USSR,  
Shaykhutdinov, Ye. M., Gilyarovskaya, L. A.

TITLE: Oxidation of monomethylsubstituted paraffins in liquid phase  
in the presence of boric acid

PERIODICAL: Akademiya nauk SSSR. Doklady, v. 148, no. 6, 1963, 1309 - 1311

TEXT: The effect of the tertiary carbon atom on the conversion of mono-substituted paraffins during oxidation and on the composition of the alcohols formed is studied. For this purpose, 2-methyldodecane and 8-methylpentadecane were synthesized according to Grignard's method. These hydrocarbons were oxidized in an apparatus described previously (A. N. Bashkirov, Khim. nauka i prom., 1, 273 (1956)) under normal pressure at 165 - 170°C for 3 - 4 hrs, using a mixture of nitrogen and oxygen with 3.0 - 3.5% O<sub>2</sub> (consumption 800 l/kg·hr). The main conversion products were compounds containing hydroxyl with a yield of ~75 mole%. The alcohols formed were identified as a mixture of tertiary (~25 - 30 mole%) and secondary alcohols having the same carbon skeleton and the same number of C-atoms in the molecule as the original hydrocarbon. The secondary  
Card 1/2

Oxidation of monomethylsubstituted...

S/020/63/148/006/014/023  
B117/B186

alcohols proved to be a mixture of a variety of isomers. Hence it was assumed that, under the oxidation conditions described, the tertiary C-atoms are more reactive with respect to oxygen than the secondary C-atoms of the highest monosubstituted paraffin molecules. There are 3 tables.

ASSOCIATION: Institut neftekhimicheskogo sinteza Akademii nauk SSSR (Institute of Petrochemical Synthesis of the Academy of Sciences USSR); Moskovskiy institut tonkoy khimicheskoy tekhnologii im. M. V. Lomonosova (Moscow Institute of Fine Chemical Technology imeni M. V. Lomonosov)

SUBMITTED: July 26, 1962

Card 2/2

L 13591-63

EPR/EPA(b)/EWT(1)/BDS

AFFTC/ASD Ps-4/Pd-4 RM/WW

ACCESSION NR: AP3004722

B/0147/63/000/002/0060/0064

AUTHOR: Vinogradov, B. S.; Shaykutdinov, Z. G.TITLE: An approximate method for calculating the detached bow shock wave in super-  
sonic flow past blunt bodies

SOURCE: IVUZ. Aviats. tekhnika, no. 2, 1963, 60-64

TOPIC TAGS: supersonic flow, detached shock wave, shock wave, blunt body, plane  
flow, axisymmetric flow, sonic line, inviscid flow

ABSTRACT: An approximate method is outlined for rapid evaluation of basic parameters of a detached bow shock wave and of flow behind it. It may be applied with sufficient practical accuracy either to plane or axisymmetric flows. It is assumed that 1) the characteristic of the shock wave front can be approximated by the equation of hyperbola; 2) the sonic line is a straight line at the angle  $(\pi/2) - \delta_{cr}$  to the direction of flow; and 3) the gas is inviscid; i.e., there is no boundary-layer formation on the body surface. The flow configuration is given in Fig. 1 of the Enclosure. Two cases of flow are considered: plane and axisymmetric. The results of numerical calculation of a transverse plane flow past a cylinder are given in Fig. 2. A comparison of the results with those obtained by

Card 1/2

L 13591-63

ACCESSION NR: AP3004722

other methods shows better agreement with experimental data, though in the case of axisymmetric flow the results are less consistent. Orig. art. has: 2 figures and 24 formulas.

ASSOCIATION: none

SUBMITTED: 18Jul62

DATE ACQ: 06Sep63

ENCL: 01

SUB CODE: AI

NO REF SOV: 002

OTHER: 001

Card 2/32

ACCESSION NR: AP4040976

S/0147/64/000/002/0102/0108

AUTHOR: Shaykhutdinov, Z. G.

TITLE: Approximate method for evaluation of the gasdynamic effect on supersonic flow

SOURCE: IVUZ. Aviatsionnaya tekhnika, no. 2, 1964, 102-108

TOPIC TAGS: supersonic flow, gasdynamic effect, shock wave, oblique shock wave, flow deflection, supersonic flow with injection

ABSTRACT: A problem of the aerodynamic effect of an air jet injected from an infinite slot at an angle of nearly  $90^\circ$  into a plane-parallel supersonic flow is considered. The slot may be convergent or expanding (see Fig. 1 of the Enclosure). The flow field behind a shock wave is investigated and the profile of a secondary jet in supersonic flow is determined for various jet characteristics, which makes it possible to calculate the structure of the bow shock wave, or the oblique shock at a certain flow deflection angle. With the available shock wave parameters, pressure and velocity distribution are determined using the general gasdynamic relationships.

Card 1/3

ACCESSION NR: AP4040976

Comparison of the results obtained experimentally and theoretically shows rather good qualitative agreement. Orig. art. has: 7 figures and 24 formulas.

ASSOCIATION: none

SUBMITTED: 14Dec63

ATD. PRESS: 3051

ENCL: 01

SUB CODE: ME

NO REF SOV: 003

OTHER: 004

Card 2/3





LAVRENT'YEV, V.I. Prinsipal'nyye uchastkiye: POL'SHINSKIY, V.V., starshiy nauchnyy sotrudnik; AKOPCVA, A.A., starshiy nauchnyy sotrudnik; SHAYKHUTDINOVA, L.K.; inzh.; SHAGEYEVA, L.A.; inzh.; TUMANOVA, A.M., preparator; STAROSTIN, P.A., inzh.; BALAKHONOV, A.P., motorist; ARTEM'YEV, V.G., motorist.

Using the heavy residual fractions of Tatar sour crude as a fuel for gas turbines. Nefreper. i neftekhim. no. 4:27-34 '63 (MIRA 17:7)

1. Tatarskiy neftyanoy nauchno-issledovatel'skiy institut.

GAVRESH, V.K.; SHAYKIN, I.M.

Intraformational washouts in Cretaceous strata of the Dnieper-  
Donets Lowland. Dokl. AN SSSR 136 no.6:1414-1417 F '61.  
(MIRA 14:3)

1. Kiyevskaya geologo-geofizicheskaya razvedochnaya kontora  
tresta "Ukrgeofizrazvedka." Predstavleno akademikom N.S.  
Shatskim.

(Dnieper-Donets Lowland—Geology, Stratigraphic)

ШАЙКИН, И. М.

3  
1-4E2C

✓ Hot-rolled steel of high strength for prestressed reinforced concrete constructions. I. M. Shalkin. *Beton i Zhel'ezobeton* 1956, 190-1. — A new low-alloyed steel for prestressed reinforced concrete is described, having the compn. C 0.26-0.33, Mn 1.2-1.6, Si 0.6-0.8, 500 g. Al/ton steel. E. Kyshekevitch

jj lg

SOV/137-57-10-19034

Translation from Referativnyy zhurnal, Metallurgiya, 1957, Nr 10, p 86 (USSR)

AUTHOR Shaykin, I M

TITLE Use of Deformed Concrete Reinforcing Bars of 25GS Low Alloy Steel in Prefabricated Reinforced Concrete (O primeneni armatury periodicheskogo profilya nizkolegirovannoy stali 25GS v sbornom zhelezobetone)

PERIODICAL V sb. Ratsionalizatsiya profilyev prokata, Moscow, Profizdat, 1956, pp 344-345

ABSTRACT The rolling of deformed concrete reinforcing bars of Nr 25GS steel has been developed at the Stalino Metallurgical Plant. The rated  $\sigma_s$  of 25GS steel is 45 kg/mm<sup>2</sup>. Use of this steel in housing construction in Moscow, where the volume of construction is 1,000,000 m<sup>2</sup>, would yield a saving of  $\geq 2,000$  t metal, while for the Soviet Union as a whole the saving would be 15,000 t. The  $\sigma_s$  of a 6-mm rod made at the Dnepropetrovsk plant is 50 kg/mm<sup>2</sup>. The im. Petrovskiy Plant has developed the manufacture of deformed bars of low-alloy steel containing 0.16-0.22% C and of 70 kg/mm<sup>2</sup>  $\sigma_b$  or more. The use of bars having an  $\sigma_b$  of  $>100$  kg/mm<sup>2</sup> at a cost of 800 rubles per t

Card 1/2

SOV/137-57-10-19034

Use of Deformed Concrete Reinforcing Bars (cont.)

Instead of expensive cold-rolled wire would be highly efficient in the production of reinforced concrete.

B.Ye.

Card 2/2

SHAYKIN, I.M., kandidat tekhnicheskikh nauk; ZLOTNIKOV, M.I., inzhener.

High-strength corrugated steel wire for prestressed reinforced concrete elements. Bet.i zhel.-bet. no.1:26-28 '56.(MIRA 9:4)  
(Prestressed concrete) (Wire)

SHAYKIN, I.M.

6

✓ Low-alloy concrete reinforcing bars, I. M. Shalko,  
S. A. Telesov, Ya. L. Trokumov, and A. M. Zhengchen,  
Stal 16, 157-604(1950).—Mech. properties of lab.-made steels  
 contg. C 0.03-0.24, Mn 0.59-1.60, Si traces to 0.80, P  
 0.005-0.18, and S 0.026% max. in the as-rolled state are  
 given in a diagram. Production heats with C 0.18-0.23,  
 Mn 1.38-1.56, Si 0.70-0.83, and P 0.034% max. had a  
 tensile strength of 55-74 kg./sq. mm., yield point of 37-50  
 kg./sq. mm., elongation 20.5-29.5%, and, when 0.75% Cr  
 was added to them, a tensile strength of 69.5-90 kg./sq.  
 mm., yield point of 45-56.5 kg./sq. mm., and elongation of  
 11-23% were recorded. All these steels welded well.  
 J. D. Cat

MIG

3

BU  
PM

10/10/11

Trudy V. H. (1977) The Russian Platform. Trudy VNIIG  
(MIRA 14:7)  
(Russian Platform Charophyta, Fossil)



SHAYKIN, I.M.

Role of electric logging in the study and division of the  
Mesozoic in the Dnieper-Donets Lowland. Trudy VNIGNI  
no.29:152-154 vol. 2, '61. (MIRA 14:7)  
(Dnieper-Donets Lowland--Geology, Stratigraphic)  
(Electric prospecting)

SAYDAKOVSKIY, L.Ya. [Saidakovs'kyi, L.IA.]; SHAYKIN, I.M.

First colloquium on the study of fossil charophytes. Geol.  
zhur. 23 no.5:110-111 '63. (MIRA 16:12)

BLIZNYUK, V.F.; GAVRISH, V.K.; GRITSAY, Ye.T.; KEL'BAS, B.I.; KLITICHENKO, I.F.;  
MARTYNOV, A.A.; PALIY, A.M.; POPOV, V.S.; SHAYKIN, I.M.; YARCHENKO, L.M.

Stratigraphic boundaries and oil and gas potentials of the  
Upper Cretaceous sediments in the Dnieper-Donets Lowland.  
Geol. nefi i gaza 8 no.4:28-35 Ap '64. (MIRA 17:6)

1. Glavnoye upravleniye geologii i okhrany neдр pri Sovete  
Ministrov UkrSSR, Kiyevskaya ekspeditsiya tresta Ukregeofizrazvedka,  
Kiyevskaya ekspeditsiya Ukrainского nauchno-issledovatel'skogo  
geologorazvedochnogo instituta i Chernigovskaya ekspeditsiya  
Ukrainского nauchno-issledovatel'skogo geologorazvedochnogo  
instituta.

L 01317-67 EWT(d)/T/EWP(1) IJP(c) GG/BB

ACC NR: AP6016136

SOURCE CODE: UR/0103/66/000/005/0077/0081

AUTHOR: Shaykin, M. Ye. (Moscow)

ORG: none

50  
B

TITLE: The proof of convergence of a <sup>16C</sup>teaching algorithm by the method of stochastic approximations 16

SOURCE: Avtomatika i telemekhanika, no. 5, 1966, 77-81

TOPIC TAGS: automatic control theory, algorithm, adaptive control, probability, probabilistic automaton, learning mechanism, automatic machine teaching, *STOCHASTIC PROCESS, RANDOM PROCESS*

ABSTRACT: The author describes the formulation of an algorithm for generation of a decision rule in a classifying system on the basis of observing another ("teaching") classifier. The convergence of this algorithm is proven using stochastic approximation. Supposing that  $f(z/\lambda)$  is the probability density of a continuous random function  $Z$ ,  $\lambda$  can assume two values:  $\lambda_1$  and  $\lambda_2$ . The task of the classifier is to find one of the two possible solutions  $d_1$  or  $d_2$  corresponding to the true value of  $\lambda$ . This solution must be found on the basis of the observation of a random value  $z$  of the function  $Z$ . The solution can be a random function  $D$ , assuming a value  $d$  with the probability  $P\{D=d\} = \delta(d/z)$ . The structure of the classifier is determined by the decision rule

Card 1/2

UDC: 518.5 : 681.142

L 01317-67

ACC NR: AP6016136

$$\delta(z) = (\delta(d_1|z), \delta(d_2|z)) = (t(z), 1 - t(z)),$$

where  $t(z) = P\{d = d_1|Z = z\}$ .

The problem is to estimate  $t(z)$  over the whole range of the values of function  $Z$ . It is assumed that  $t(z)$  can be expressed by a finite series, in terms of the number of trials  $n$ . It is then possible to write

$$e_n^2 = \int [\bar{t}_n(z) - t(z)]^2 f(z) dz \rightarrow 0 \quad (n \rightarrow \infty).$$

where  $f(z)$  is the probability density of the function  $Z$ . Orig. art. has: 26 formulas.

SUB CODE: 12/      SUBM DATE: 03Aug65/      ORIG REF: 002/      OTH REF: 002

*ms*  
Card 2/2

SHAYKIN, S.I.

Experience in the use of cable communication lines in mountainous areas. Vest. sviazi 22 no.12:20-21 D '62. (MIRA 16:1)

1. Starshiy inzh. tekhnicheskogo otdela Upravleniya kabel'noy magistrali.

(Telephone lines) (Electric lines)

SHAYKIN, V.O.

Rolling perennial grass sod. Zemeledelie 6 no.2:94 '58. (MIRA 11:3)

1. Kazachinskaya sel'skokhozyaystvennaya opytnaya stantsiya.  
(Tillage)

SHAYKIN, V.G.

Deepening the plow layer of turf-Podzolic and grey forest soils  
in Krasnoyarsk Territory. Zemledelie 7 no.12:77-78 D '59.  
(MIRA 13:3)

1. Kazachinskaya sel'skokhozyaystvennaya opytnaya stantsiya.  
(Krasnoyarsk Territory--Soils)





SHAYKIND, S.P. 11

M

PROCESSES AND PROPERTIES INDEX

\*The Application of the Polarographic Method to the Analysis of Lead and Its Compounds. I. - Qualitative Determination. S. P. Shaykind (*Zhur. Prikl. Khimii (J. Applied Chem.)*, 1938, 11, (9), 1378-1383). - [In Russian.] The method developed enables the detection of Cu, Cd, Ni, Zn, Co, and Mn, present as impurities in Pb and Pb compounds. The sample is dissolved in HNO<sub>3</sub> and the Pb removed by double precipitation with H<sub>2</sub>SO<sub>4</sub>. To the filtrate is added NH<sub>4</sub>Cl, and a slight excess of NH<sub>4</sub>OH, and the solution is polarographed. The Zn and Co waves overlap and where either is present a second determination must be made in NH<sub>4</sub>OH-free solution containing Na<sub>2</sub>SO<sub>4</sub> and glue to determine whether the other is present. Na<sub>2</sub>SO<sub>3</sub> is used to remove oxygen from the solutions. -A. B.

AS 5 SLA METALLURGICAL LITERATURE CLASSIFICATION

S/081/62/000/006/035/117  
B102/B101

AUTHORS: Shaykind, S. P., Solov'yeva, S. V., Smiryagina, S. A.

TITLE: Polarographic determination of uranium and the use of its catalytic effect upon the nitrate-ion wave for these purposes

PERIODICAL: Referativnyy zhurnal. Khimiya, no. 6, 1962, 132, abstract 6D104 (Tr. Leningr. tekhnol. in-ta im. Lensovet, no. 55, 1961, 172)

TEXT: The possibility of a polarographic U determination on chloride, nitrate, and carbonate backgrounds is considered, and a method is proposed to determine trace amounts of U. It is based on the catalytic action of U upon the polarographic wave of  $\text{NO}_3^-$ . One drop of  $\text{KNO}_3$  solution ( $1 \cdot 10^{-3}$  g/ml) and 2 drops of 0.5% gelatin solution are added to the solution to be analyzed which is 0.1 N with respect to KCl and 0.01 N with respect to HCl and contains  $2.5 \cdot 10^{-6}$  g/ml U. Then,  $\text{N}_2$  (or  $\text{H}_2$ ) is passed through, and the polarogram is taken. [Abstracter's note: Complete translation.]

Card 1/1

S/081/62/000/006/034/117  
B102/B101

AUTHORS: Shaykind, S. P., Alekhina, I. A., Danilov, L. T.

TITLE: Polarographic determination of thorium

PERIODICAL: Referativnyy zhurnal. Khimiya, no. 6, 1962, 131, abstract  
6D96 (Tr. Leningr. tekhnol. in-ta im. Lensovet, no. 55, 1961,  
173)

TEXT: An indirect polarographic method for Th determination  
( $2 \cdot 10^{-4}$  -  $5 \cdot 10^{-6}$  moles/liter) is proposed basing on Th precipitation as  
 $4 \text{Th}(\text{IO}_3)_4 \cdot \text{KIO}_3$ , treatment of the precipitate with alkaline solution (to  
transfer  $\text{IO}_3^-$  into the solution), and polarographing of  $\text{IO}_3^-$  in the alkaline  
solution. The wave height is directly proportional to the  $\text{IO}_3^-$  concentra-  
tion in the range  $5 \cdot 10^{-4}$  -  $5 \cdot 10^{-6}$  moles/liter. [Abstracter's note:  
Complete translation.]

Card 1/1

SHAYKIN, S.P.

A. I. Shadrin, I. T. ... S. I. ..., ... ... ..  
... ( ... .. ). ... ... ..  
...

... .. in qualitative analysis, ... ..  
... ..

... .. of advanced ... ..

SI: ... (Sul'et ...), No. 176, 1953, ... (U-6472)

BRYUM, A.; SHAYKIS, A.

Some problems in building harbor warehouses. Mor. flot 16

no.10:5-8 0 '56.

(MLRA 9:11)

(Warehouses) (Harbors)

SHURA-BURA, B.L.; SHAYKOV, A.D.; IVANOVA, Ye.V.; GLAZUNOVA, A.Ya.,  
MITRYUKOVA, M.S.; FEDOROVA, K.G.

Migration of synanthropic flies to the cities from open fields.  
Med.paraz. i paraz. bol. 25 no.4:368-372 O-D '56. (MLBA 10:1)

1. Iz kafedry voyennoy epidemiologii voyenno-morskogo fakul'teta pri  
I Leningradskom meditsinskom institute imeni akademika I.P.Pavlova  
i Leningradskoy gorodskoy dezinfektsionnoy stantsii.

(FLIES.

migration to cities (Rus))

SHURA-BURA, B.L.; IVANOVA, Ye.V.; ONUCHIN, A.N.; GLAZUNOVA, A.Ya.;  
SHAYKOV, A.D.

Dispersion of flies from places of mass hatching in Leningrad.  
Ent.oboz. 35 no.2:334-346 '56. (MLRA 9:10)

1. Kafedra voyennoy epidemiologii Vcyenno-morskogo fakul'teta  
pri i Leningradskom meditsinskom institute i Leningradskaya  
gorodskaya dezinfektsionnaya stantsiya.  
(Leningrad--Flies as carriers of disease)



USSR / Zooparasitology. Acarina and Insects. Vectors G  
of Pathogenic Agents. Insects.

Abs Jour: Ref Zhur-Biol., No 6, 1959, 24302.

Author : Shura-Bura, B. L., Shaykov, A. D., Ivanova, Ye.  
V., Glazunova, A. Ya., Nitryukova, M. S., Fed-  
orova, K. G.

Inst : Not given.

Title : On the Character of Spreading of Some Species of  
Synanthropic Flies from the Point of Release.

Orig Pub: Intomol. obozreniye, 1958, 37, No 2, 336-346.

Abstract: The point where flies were released was in a  
little populated area 0.5 km from the main high-  
way, 4-5 km to the east and west from the towns  
of Pushkin and Kolpino, 15 km. to the south of  
the Leningrad suburbs. For the experiment, a-  
bout 85 thousand flies were prepared. 24 hours

Card 1/3

44

USSR / Zooparasitology. Acarina and Insects. Vectors G  
of Pathogenic Agents. Insects.

Abs Jour: Ref Zhur-Biol., No 6, 1959, 24302.

Abstract: before the experiment, the flies received no  
food. For three hours before being freed, the  
flies were fed a fermenting solution of sugar,  
and rotted meat filling to which a solution of  
radioactive sodium phosphate was added. Catch-  
ing of the flies was conducted from 1-15 km from  
the point of freeing, at 45 points by net traps,  
and at 5 by fly paper. Maximum distance of flight  
(in km): *Muscina stabulans* and *Hydrotaca den-*  
*tipes* 15, *Protophormia terrae-novae* and *Musca*  
*domestica* 10.7, *Calliphora uralensis* 8.6, *Lucilia*  
*caesar* 6.2, *C. erythrocephala* 5, *Muscina assimi-*  
*lis* and *Fannia canicularis* 4.5. Maximum speed of  
migration was within the limits of 4 km of unpop-  
ulated area. The average speed of flies here  
reaches, in a majority of the species, 1 km per

Card 2/3

MIKHAYLOV, S.S., prof., red.; SHAYKOV, A.D., kand. med. nauk, zam. red.; OLIFSON, L.Ye., dots., red.; VILESOV, S.P., prof., red.; MITROFANOV, V.G., doktor med. nauk, red.; PERVUSHIN, V.Yu., dots., red.; BOCHKAREVA, A.A., dots., red.; PIS'MENOV, I.A., ass., red.

[Nineteenth Scientific Session of the Orenburg State Medical Institute] XIX Nauchnaya sessiya Orenburgskogo Gosudarstvennogo meditsinskogo instituta. Orenburg, 1962. 144 p.

(MIRA 16:11)

1. Orenburg. Gosudarstvennyy meditsinskiy institut. 2. Zaveduyushchiy Gospital'noy khirurgicheskoy klinikoy Orenburgskogo meditsinskogo instituta (for Vilesov). 3. Zaveduyushchiy kafedroy operativnoy khirurgii Orenburgskogo meditsinskogo instituta (for Mikhaylov). 4. Zaveduyushchiy fakul'tetskoy khirurgicheskoy klinikoy Orenburgskogo meditsinskogo instituta (for Mitrofanov). 5. Zaveduyushchaya Kafedroy glaznykh bolezney Orenburgskogo meditsinskogo instituta (for Bochkareva). 6. Zaveduyushchiy kafedroy obshchey khimii Orenburgskogo meditsinskogo instituta (for Olifson).

(ANATOMY, SURGICAL AND TOPOGRAPHICAL)

(MEDICINE, INTERNAL)

PETROV, N.P., kand.tekhn.nauk; TROSHKIN, I.T., inzh.; SHAYHOV, N.N., inzh.;  
TYURIKHOV, S.H., inzh.

Modernization of PNOOE-60 atmosphere preparation plants. Metalloved. i  
term. obr. met. no.2:45-48 J '61. (MIRA 14:3)

1. Moskovskiy tekhnologicheskiy institut i Mashinostroitel'nyy zavod  
Mosgorsovnarkhoza.  
(Metallurgical furnaces—Protective atmospheres)

SHAYKOV, V., podpolkovnik; RUSIN, A., kapitan

Tactical nuclear weapons in the American army; from the foreign  
press. Voen.vest. 40 no.4:117-118 Ap '61. (MIRA 14:7)  
(United States--Atomic weapons)

SHAYKOV, Viktor Moiseyevich, podpolkovnik; YEVDOKIMOV, Boris Ivanovich,  
inzh.-podpolkovnik; SOKOLOV, I. A., polkovnik, red.; MEDNIKOVA, A. N.,  
tekh. red.

[Combat employment of antitank guided missiles; as revealed by  
foreign press material] Boevoe primeneniye protivotankovykh upravlia-  
emykh reaktivnykh snaryadov; po materialam zarubezhnoi pechati. Mo-  
skva, Voen. izd-vo M-va obor. SSSR, 1961. 53 p. (MIRA 14:11)  
(Guided missiles) (Tank warfare)

SHAYLIKOV, A.S.; KAZANTSEV, G.V. PROSKURIN, N.V.; RUSANOV, A.K., redaktor;  
~~SIBIRKOVA~~, L.S., redaktor; POPOV, N.D., tekhnicheskiy redaktor.

[Work practices in the spectrum analysis laboratory of the Geological Administration] Opyt raboty spektral'noi laboratorii geologicheskogo upravlenii. Moskva, Gos.nauchno-tekhn.izd-vo lit-ry po geologii i okhrane nedr, 1954. 1954. 26 p. (Trudy laboratorii geologicheskikh upravlenii, trestov, ekspeditsii i partii, no.5) (MLRA 10:4)  
(Spectrum analysis)  
(Chemical laboratories)

SHAYLOVICH, L.L., kandidat ekonomicheskikh nauk, dotsent.

Socialist competition in decreasing production cost in mechanical  
engineering enterprises. Trudy LEBI no.6:44-56 '53. (MLRA 9:8)  
(Machinery industry--Cost)

USSR/Virology - Rickettsias.

E-5

Abs Jour : Ref Zhur - Biol., No 15, 1958, 67003

Author : ~~Shayman, N.S.~~

Inst : Omsky in-t.

Title : A Virological Characteristic of Nidus of the Tick Epidemic Typhus in Novosibirskaya Oblast

Orig Pub : Tr. Omskogo n.-i i-ta epidemiol., microbiolog. i gigeny, 1957, No 4, 73-76

Abstract : One rickettsia strain was isolated from eggs of Ixodes ticks (*Dermacentor silvarum* ol). After investigating 600 ticks of *D. pictus* Herm., only two strains were isolated. The strains which have been isolated previously were transferred to mice whereupon characteristic clinical symptoms were observed. The immunological identity of all rickettsias strains was established in the experiments of cross-immunisation of guinea pigs.

Card 1/1

//



\_\_\_\_\_ , \_\_\_\_\_ , \_\_\_\_\_ , \_\_\_\_\_ .

"Special wild animals and ticks: the tick-borne encephalitis virus of the north of the forest-steppe and the forest-steppe of the West Siberian Federal." p. 181

Специальные животные и клещи: энцефалитический вирус леса и лесостепи Северного Казахстана. 22-26 Октября 1959 г. (North Conference on Epidemiological Problems and Diseases with Natural Foci 22-26 October 1959), Moscow-Leningrad, 1959, Academy of Medical Sciences USSR, and Academy of Sciences USSR, No. 1 254 pp.

Ozsk Inst. of Epidemiology, Microbiology and Hygiene

SEVAST'YAN, A. S., YEDUCHENKO, N. V., KARGENINA, L. M., and KAZIMIR, A. S.  
TRIMENKO, A. M.

"Tick Rickettsiosis Foci in Novosibirskaya Oblast, Study of Borsk Inst.  
of Vaccines and Sera, No. 7, pp 153-159, found in Medits. Ekspol. i Parazit.  
Bolez., 2nd quarter, 1956.

SU: 1991

NETSKIY, G.I.; SHAYMAN, M.S.

Distribution and interrelation of foci of tick-borne encephalitis,  
north Asiatic tick-borne exanthematous typhus and Q fever in  
Western Siberia. Med. paraz. i paraz. bol. 33 no.2:136-141  
Mr-Apr '64. (MIRA 18:1)

1. Omskiy nauchno-issledovatel'skiy institut prirodnookhagovykh  
infektsiy (direktor - doktor med. nauk G.V. Kornilova) Minister-  
stva zdravookhraneniya RSFSR.

1. The first part of the document is a list of references.

2. The second part of the document is a list of references.

(SIA 1/1/19)

L 53708-65 EWT(d)/EWT(m)/FA/EPF(c)/EWA(d)/EWP(j)/T/EWP(t)/EWP(h)/EWP(s)/  
EWP(l) Pc-4/Pr-4 IJP(c) JD/RM

ACCESSION NR: AP5014796

UR/0092/65/000/006/0018/0019

AUTHOR: Mezhlumov, O. (Director); Belov, V. (Assistant director of scientific dept); Shaymardanov, I. (Senior research associate of drilling dept) 3/6

TITLE: Dirigibles in the age of supersonic aircraft

SOURCE: Neftyanik, no. 6, 1965, 18-19

TOPIC TAGS: lighter than air aircraft, economics, transport aircraft 14

ABSTRACT: The problem of using dirigibles in the Soviet economy was raised at the first All-Union Conference of Airship Designers held recently in Novosibirsk. It was stressed that dirigibles possess valuable characteristics which in some respects make them superior to both the airplane and the helicopter. Future dirigibles will use an inert lifting gas (helium); will be powered by diesel and gas-turbine engines, and will have envelopes made of durable, inexpensive, and light-weight synthetic materials. A dependable, all-weather dirigible is urgently needed for hauling bulk freight in such hard-to-reach areas as the gas fields of the Tyumen' region in Siberia.

Card 1/2

L 53708-65

ACCESSION NR: AP5014796

According to estimates, if the ton-kilometer cost of transporting freight by airplane is taken as 1, the cost for the helicopter would amount to 5.65, while for the dirigible it would be only 0.33. Orig. art. has 1 figure.

ASSOCIATION: Instituta Giprotymen'neftegas

SUBMITTED: 00

ENCL: 00

SUB CODE: AC, GO

NO REF SOV: 000

OTHER: 000

ATD PRESS: 4016-F

Card

AP  
2/2

L 46303-65 EWT(1)/EPA(s)-2/EPA(w)-2/EEC(t)/EWA(m)-2 Pab-10

ACCESSION NR: AR5012222

UR/ 0058/65/000/003/G024/G024

SOURCE: Ref. zh. Fizika, Abs. 3G171

AUTHOR: Fishman, I. S., Shaymanov, I. Sh.; Il'in, G.G.

26  
B

TITLE: Experimental investigation of the dependence of  $b_1$  on  $\log I$  for arc and spark discharges

CITED SOURCE: Sb. Itog. nauchn. konferentsiya Kazansk. un-ta za 1962 g. Kazan', Kazansk. un-t, 1963, 54-57

TOPIC TAGS: <sup>21</sup> arc discharge, spark discharge, reabsorption coefficient, absorption intensity, arc analysis, spark analysis, flame analysis

TRANSLATION: The calculations of integral characteristics of a plasma are verified experimentally. For comparison it is convenient to use the dependence of the reabsorption coefficient  $b_1$ , determined by the linear absorption method, on  $\log I$ , where  $I$  is the total intensity, determined by the method of photographic photometry. The source of light was a dc arc, an ac arc, and a condensed spark. An ISP-51 spectrograph with camera of  $f = 270$  mm was used for the measurements.

Card 1/2

L 46303-65

ACCESSION NR: AR5012222

The investigated elements were introduced into the discharge gap in the form of solutions of corresponding compounds. It turned out that under normal spectral-excitation conditions the samples do not reach the self absorption phase, even at maximum concentration of the element. Thus, the connection between  $b_1$  and  $\log I$  for the majority of the lines is described uniquely by means of a single curve. The measurements were made for Cr, Na, and Fe. V. Sinitsyn.

SUB CODE: OP

ENCL: 00

Card

2/2



FISHMAN, I.S.; SHAYMANOV, I.Sh.; IL'IN, G.G.

Some experimental relationships of the integral characteristics  
of radiation in an arc. Opt. i spektr. 15 no.5:595-600 N '63.  
(MIRA 16:12)

L 41385-65 EPF(c)/EWT(1)/EEC(t) Pi-4 IJP(c) GG/WW  
ACCESSION NR: AR5009690 UR/0058/65/000/002/DC20/DC20

SOURCE: Ref. zh. Fizika, Abs. 2D136

AUTHOR: Shaymanov, I. Sh.

TITLE: Experimental investigation of the dependence of the absorption coefficient b on the integral intensity of the sodium and chromium resonance lines

CITED SOURCE: Uch. zap. Kazansk. un-t, v. 123, no. 2, 1963, 172-177

TOPIC TAGS: absorption line, self absorption, resonance line, sodium, chromium, self absorption coefficient, integral intensity

TRANSLATION: The dependence of the coefficient of self absorption (b) on the integral intensity (I) of the Na 5890 Å resonance line and the two Cr resonance lines 4254.3 and 4289.7 Å was investigated experimentally. It is concluded on the basis of the obtained relations  $b = f(\ln I)$  that the Na 5890 Å line has a Voigt contour, while the Cr lines have approximately a dispersion contour.

SUB CODE: OP

ENCL: 00

cc  
Card 1/1

SHAYMAFDANOV, K.A.

Electrophysiological indices of the functional state of the  
cortex and subcortex following the action of dimedrol. Zdrav.  
Kazakh. 22 no.6:42-44 '62. (MIRA 15:11)

1. Iz kafedry patofiziologii (zav. - prof. T.A.Nazarova)  
Semipalatinskogo meditsinskogo instituta. (ELECTROENCEPHALOGRAPHY)  
(DIMEDROL) (CEREBRAL CORTEX)

SHAYMARDANOV, K.A.

Electroencephalographic indices in hemoheterotransfusion  
shock proceeding on the basis of the effect of dimedrol.  
Zdrav. Kazakh. 22 no.9:40-47 '62. (MIRA 17:2)

1. Iz kafedry patologicheskoy fiziologii (zav. - prof.  
T.A. Nazarova) Semipalatinskogo meditsinskogo instituta.

2029 Shaymardanov, M. Sh.

Po Tsekham. (Zapiski Zhurnalista). Kazan', Tatknigoizdat, RED. Khudozh.  
Lit., 1954. 725. 17sm. 3000 EKZ. 75K. - NA Tatar. Yaz.  
(54-47663) 338.4647.85)(0:8)

SAITGAREYEV, F.Sh.; TELYACHEV, G.G.; SHAYDADANO, N.M.; SALOV, Y.S.,  
KIREYEV, A.G.

Intensifying the operations of industrial furnaces. Trudy  
BashNII NP no.6:226-240 '63. (MIRA 17:5)

LUKASHEV, V.A.; SHAYMARDANOV, V.M.

Subcutaneous injection of oxygen in neuritis of the acoustic  
nerves. Kaz. med. zhur. no.1:74 Ja-F'63. (MLA 16:8)  
(NO SUBJECT HEADINGS)

LUKMANOVA, Kh.F.; SHAYMARDANOVA, K.G.

Two cases of severe anaphylactic reaction to penicillin. Kaz. med.  
zhur. no.4:58-60 J1-Ag '61. (MIRA 15:2)

1. Medsanchast' "Bavlyneft'" (glavnyy vrach - T.I. Pokrovskaya) i  
Bavlinskaya rayonnaya bol'nitsa (glavnyy vrach - R.Kh. Galeyeva).  
(ANAPHYLAXIS) (PENICILLIN)



МОРШАКОВ, С.В., И.А. СЕРГЕЕВ, НАУЧ. ТРУДЫ АН ССРСР, ЧИГУВАЙЕВ, М.С.

Formation of the underground waters of Cretaceous sediments in  
the Irtysh Valley portion of Kazakhstan. Trudy Inst. geol. nauk  
AN Kazakh SSR no. 14: 143-161 1965. (MIRA 18:1)

SHAYMERDINOV, Sh.

How to simplify the laying of fire hose. Pzh.delo 5 no.11:  
14-15 N 59. (MIRA 13:4)

1. Pomoshchnik nachal'nika pozharney komandy, stantsiya Kazalinsk,  
Kazakhskoy zheleznoy dorogi.  
(Fire departments--Equipment and supplies)

SHAYMERDINOV, Sh.

Combined hose shaft and crowbar. Pozh.delo 7 no.3:29 Mr '61.  
(MIRA 14:5)

1. Pomoshchik nacaht'nika pozharnoy komandy, st. Kazalinsk,  
Kazakhskaya zheleznaya doroga.  
(Kazakhstan--Fire departments--Equipment and supplies)

SMIRNOV, A.D., dots.; KROTKOV, V.V., starshiy prepodavatel'; SHAYMARDANOVA,  
A.Sh., assistent

"Chemistry club" by G.A.Zdanchuk. Reviewed by A.D.Smirnov, V.V.Krotkov,  
A.Sh.Shaimardanova. Khim. v shkole 15 no.5:88-90 S-O '60.  
(MIRA 13:10)

1. Pedagogicheskiy institut im. Gertsena, Leningrad (for Smirnov).
2. Kafedra khimii Mariyskogo instituta (for Krotkov, Shaymardanova).  
(Chemistry—Study and teaching)  
(Zdanchuk, G.A.)