

PETROV, P.A.; ROZHKOVA, A.A.

Perennial fluctuation in the abundance of small murine rodents  
in the Il'menny and Primorskoy ecological landform regions  
of the northwestern Caspian Sea area. Zool. zhur. 42 no.5:  
914-925 '63. (MIRA 16:7)

1. Astrakhan Anti-Plague Station, Ministry of Public Health  
of the U.S.S.R.  
(Caspian Sea region--Mice)

PETROV, P. A.; ROZHKOVA, A. A.

Station observations on the activity of small murine rodents  
in the Volga-Akhtuba Floodplain. Zool. zhur. 42 no. 3:434-  
440 '63. (MIRA 17:1)

1. Anti-Plague Station of Astrakhan, Ministry of Public  
Health of the U.S.S. R.

AGAFONOV, A.V.; rezinko, d.s.; ROZHKOV, A.A.; SEMENOV, N.M.

Ecology of the tawny eagle [with summary in English]. Biol.MOIP.  
Otd.biol. 62 no.2:33-41 Mr-Apr '57. (MLRA 10:8)  
(EAGLES) (BIRDS--FOOD)

SEMENOV, N.M.; AGAFONOV, A.V.; REZINKO, D.S.; ROZHKOV, A.A.

Effect of the severe winter of 1955-1956 on some mammals in  
steppes of the Sarpa region [with summary in English]. Zool. zhur.  
37 no.8:1223-1227 Ag '58. (MIRA 11:9)

1. Gosudarstvennyy nauchno-issledovatel'skiy institut mikrobiologii  
i epidemiologii Yugo-Vostoka SSSR, Saratov i Stalingradskaya  
protevochumnaya stantsiya.  
(Sarpa region--Zoology--Ecology) (Winter)

ROZHKOV, A.A.; KANCHUKH, A.A.; ZAV'YALOVA, N.K.; PUSTOVALOV, V.L.

Separation, purification, and antibacterial properties of cephalosporin. Antibiotiki 5 no.1:9-14 Ja-F '60. (MIRA 13:7)

1. Rostovskiy-na-Donu nauchno-issledovatel'skiy protivochumnyy institut.

(CEPHALOSPORIN)

ROZHKOV, Aleksandr Filippovich; LIVSHITS, Ya.L., red.; ATROSHCHENKO,  
L.Ye., tekhn.red.

[Workers' conditions and their struggle in Latin America]  
Polozhenie i bor'ba trudiashchikhsia stran Latinskoi Ameriki.  
Moskva, Izd-vo "Znanie," 1960. 39 p. (Vsesoiuznoe obshchestvo  
po rasprostraneniuiu politicheskikh i nauchnykh znani. Ser.7,  
Mezhdunarodnaia, no.21). (MIRA 13:12)  
(Latin America--Labor and laboring classes)

MANUKYAN, A.A.; KULAGIN, V.G.; ALEKSANDROVSKAYA, L.I.; BELOUS, T.Ya.;  
BEL'CHUK, A.I.; VINTSER, Yu.I.; GRECHIKHIN, A.A.; ZHDANOVA,  
L.P.; KOVAL', V.V.; KODACHENKO, A.S.; KOSPKINA, V.A.; KOCHESVRIN,  
Yu.B.; KULIKOV, N.I.; MOKLYARSKIY, B.I.; NADEL', S.N.; PUDINA,  
K.V.; ROZENTAL', Ye.I.; RYDVANOV, N.F.; SVIRIDOVA, Z.P.; SIDOROV,  
V.F.; CHEBOTAREVA, Ye.A.; SHAPIRO, P.M.; SHVEDKOVA, V.M.; SHUMILIN,  
V.I.. Prinsipali uchastiye: BRAGINA, Ye.A.; KRIVOROTCHENKO, A.K.;  
MARTINSEN, Z.A.; ROZHKOV, A.F.; SEGAL, Ya.Ye.; TARASOV, K.S.;  
TIMOSHKOVA, O.K.; ~~CHERMAZOVA, N.S.~~ ARZUMANYAN, A.A., red.; KOT-  
KOVSKIY, Ya.Ya., red.; RUDCHENKO, A.M., red. izd-va; KUZ'MIN, tekhn. red.

(Continued on next card)

MANUKYAN, A.A.---(continued) Card 2.

[Economic conditions of capitalist countries after the Second World War; statistical collection] Ekonomika kapitalisticheskikh stran posle Vtoroi Mirovoi voyny; statisticheskii sbornik. Moskva, Vneshtorgizdat, 1959. 1039 p. (MIRA 12:11)

1. Akademiya nauk SSSR. Institut mirovoy ekonomiki i mezhdunarodnykh otnosheniy. 2. Sotrudniki sektora kon'yunktury Instituta mirovoy ekonomiki i mezhdunarodnykh otnosheniy Akademii nauk SSSR (for Manukyan, Kulagin, Aleksandrovsakaya, Belous, Bel'chuk, Vintser, Grechikhin, Zhdanova, Koval', Kodachenko, Kostkina, Kochevrin, Kulkov, Mamukyan, Moklyarskiy, Nadel', Pudina, Rozental', Rydvanov, Sviridova, Sidorov, Chebotareva, Shapiro, Shvedkova, Shumilin).  
(Economic conditions)



ROZHKOV, A.G.

Harmful effect of hail in Moldavia. Okhr. prir. Mold. no.3:47-50  
'65. (MIRA 18:10)

ROZHKOV, A.I.

Machine for retracing scales in repairing electric  
measuring instruments. Izv.tekh. no.4:42 Ap '60.  
(MIRA 13:8)

(Electric instruments--Maintenance and repair)  
(Calibration)

BARBARINA, T.M.; BUBYR', N.F.; BUTT, L.M.; VEL'SOVSKIY, V.N.;  
GORLOV, Yu.P.; GRIBANOVSKIY, V.G.; DROZDOV, I.Ya.;  
YEREMIN, I.A.; ZEZIN, V.G.; KEVESH, P.D.; KOCHAROV, E.P.;  
KOSYREVA, Z.S.; LEVIN, S.N.; MAKHNOVICH, A.T.; MERZLYAK,  
A.N.; RODOV, E.S.; ROZHOV, A.I.; SEREBRYANSKAYA, B.I.;  
SUKHAREV, M.F.; USTENKO, A.A.; KHOMENKO, Z.S.; SHMIDT,  
L.M.; ETIN, A.O.; YAKHONTOVA, N.Ye.; KITAYTSEV, Vladimir  
Andreyevich, prof., doktor tekhn. nauk, red.; SKRAMTAYEV,  
B.G., glav. red.; TROKHIMOVSKAYA, I.P., zam. glav. red.;  
KRAVCHENKO, I.V., red.; KITAYGORODSKIY, I.I., red.;  
KRZHEMINSKIY, S.A., red.; ROKHVARGER, Ye.L., red.; BALAT'YEV, P.K.  
red.

[Manual on the manufacture of heat insulating and acous-  
tical materials] Spravochnik po proizvodstvu teploizo-  
liatsionnykh i akusticheskikh materialov. Moskva, Stroi-  
izdat, 1964. 524 p. (MIRA 18:1)

ROZHKOV, A. I.

Oxygen flux cutting of 25Kh14N-L steel. Svar.proizv. no.8:24-25  
Ag'55. (MIRA 8:11)

1. Novo-Kramatorskiy metallurgicheskiy zavod imeni Stalina,  
g.Elektrostal'.

(Gas welding and cutting)

КОЗУКОВ, М. (11)

Esters of 4(5)-nitroimidazole-5(4)-carboxylic acid, L. P. Kulev and A. M. Ryzhkov (Polytech. Inst., Tomsk). Zhur. Obshchei Khim. 27, 1389-91(1957). Heating 4(5)-nitroimidazole-5(4)-carboxylic acid in MeOH with a little H<sub>2</sub>SO<sub>4</sub> 1 hr. gave 59.8% Me ester, m. 212-3°. Similarly were prepd. 55.6% Et ester, m. 207-8°, 52.2% Pr ester, m. 179-80°, 49.1% Bu ester, m. 182°, 62.6% iso-Am ester, m. 203-4°, 47.9% hexyl ester, m. 173-4°, 49.2% benzyl ester, m. 200-1°. To 6 g. AgNO<sub>3</sub> in 98% hot EtOH was added 5 g. above acid in 95 ml. EtOH yielding 94% Ag salt, a yellow solid. This (5.1 g.) in 75 ml. abs. MeOH was treated with 1.4 g. 4(5)-chloromethylimidazole HCl salt and refluxed 3 hrs. to yield 91.3% 4(5)-imidazolymethyl-4(5)-nitroimidazole-carboxylate, m. 165-4° (EtOH-Et<sub>2</sub>O). ~~Chem. Abstr.~~

pm

ROZHKOV, A.M.

Polymerization of dipentene and  $\alpha$ -pinene. Izv. Sib. otd. AN SSSR  
no.7:23-28 '58. (MIRA 11:9)

1. Zapadno-Sibirskiy filial AN SSSR.  
(Pinene) (Dipentene) (Polymerization)

ACCESSION NR: AP4015149

S/0289/63/000/003/0103/0107

AUTHOR: Rozhkov, A. M.

TITLE: Copolymerization of terpenes with the methyl ester of methacrylic acid

SOURCE: AN SSSR. Sib. otd. Izv., no. 11, Ser. khim. nauk, no. 3, 1963, 103-107

TOPIC TAGS: methylmethacrylate, terpene, dipentene, delta 3-carene, alpha pinene, copolymerization, block copolymerization, monomer reactivity, copolymerization constants, polymethylmethacrylate, methylmethacrylate terpene copolymer, solubility, molecular weight

ABSTRACT: The block copolymerization of dipentene,  $\Delta^3$ -carene and alpha-pinene with methylmethacrylate in the presence of azoisobutyric dinitrile was investigated. New copolymers were synthesized and characterized. The relative reactivity of the monomers in the three systems was studied: methylmethacrylate is more reactive than the terpenes, as determined by comparing the copolymerization constants, and the composition of the copolymers (rich in methylmethacrylate,

Card 1/2

ACCESSION NR: AP4015149

poor in terpene, even with increased terpene in the original reaction mixture). Dipentene is more reactive than the carene, which is in turn more reactive than the pinene. Increasing the terpene content of the copolymer lowers the specific viscosity of its solutions and its molecular weight; alpha-pinene has the highest viscosity. These terpenes generally do not significantly affect the solubility of the copolymer in comparison with polymethylmethacrylate, although slightly better solubility in dichlorethane and dioxane was noted. Orig. art. has: 2 Tables and 1 Figure.

ASSOCIATION: Khimiko-metallurgicheskiy institut Sibirskogo otdeleniya AN SSSR, Novosibirsk (Chemical Metallurgical Institute, Sibirsk Branch AN SSSR, Novosibirsk)

SUBMITTED: 18Jun62

DATE ACQ: 13Mar64

ENCL: 00

SUB CODE: CH

NR REF SOV: 003

OTHER: 000

Card 2/2



KOZLOV, V.F.; ROZHKOVA, A.M.

Measuring the cross sections of double charge-exchange of singly charged positive ions at low energies. Zhur. tekhn. fiz. 32 no.6:719-724 Je '62. (MIRA 15:7)

1. Fiziko-tekhnicheskiy institut AN USSR, Khar'kov.  
(Ions beams--Measurement)

PENTEGOVA, V.A.; ROZHKOV, A.M.; KAZAKOVA, A.A.

Tar acid esters in resins from Siberian cedar. Trudy Khim.-met.  
inst. Sib. otd. AN SSSR no. 13:41-45 '59. (MIRA 14:1)  
(Wood tar) (Oleoresins) (Cedar)

ROZHKOV, A.M.; RAFIKOV, S.R.; ANUCHINA, I.G.

Copolymerization of dipentene and acrylonitrile. Izv.Sib.otd.  
AN SSSR no.5:48-54 '59. (MIRA 12:10)

1. Khimiko-metallurgicheskiy institut Sibirskogo otdeleniya  
Akademii nauk SSSR.  
(Acrylonitrile) (Dipentene)

KULEV, L.P.; ROZHKOV, A.M.

4 (5)-nitroimidazole-5(4)-carboxylic acid esters. Zhur.ob.khim.  
27 no.5:1389-1391 My '57. (MLRA 10:8)

1. Tomskiy politekhnicheskiy institut.  
(Esters)

38236

S/057/62/032/006/012/022  
B108/B102

26.2313

AUTHORS: Kozlov, V. F., and Rozhkov, A. M.

TITLE: A method of measuring the cross section of double charge exchange of singly positive ions at low energies

PERIODICAL: Zhurnal tekhnicheskoy fiziki, v. 32, no. 6, 1962, 719 - 724

TEXT: A new method of measuring the cross section  $\sigma_{1-1}$  of double charge exchange is proposed in which the positive primary ions are separated from the negative secondary ions by a decelerating electrical field. The collecting angle can be increased by proper dimensioning the collector. The ions are separated by a set of three grids in front of the collector, the first of which is earthed, the second on a positive and the third on a negative potential. Secondary ion emission from the grids can be eliminated by properly choosing the negative potential of the third grid which is next to the collector. Secondary electron emission from the collector can be avoided by applying a magnetic field. The measurements were made with an arrangement as shown in Fig. 2. The primary monochromatic ion beam had an energy of from 0.1 to 5 kev. Pressure was  $4 \cdot 10^{-6}$  mm Hg. When an ion  
Card (1/2)

A method of measuring ...

S/057/62/032/006/012/022  
B108/B102

scintillation counter is used the whole arrangement becomes simpler since the third grid and the magnetic field are no longer necessary. Results are in good agreement with those of Ya. M. Fogel', et al. (ZhETF, 35, 565, 1958). There are 5 figures.

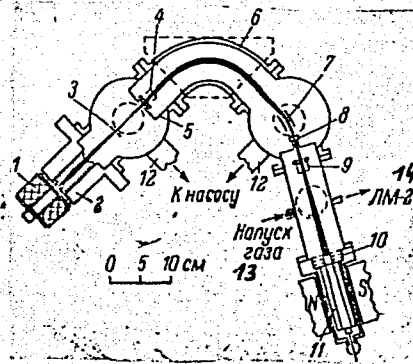
ASSOCIATION: Fiziko-tekhnicheskiy institut AN USSR Khar'kov (Physico-technical Institute AS UkrSSR Khar'kov)

SUBMITTED: June 17, 1961

Fig. 2.

Legend: (1) arc ion source; (2) electrostatic lenses; (3) adjustable slit; (4) ion trap with magnetic control; (5) slit; (6) magnetic mass analyzer; (7) electrostatic mass analyzer; (8) diaphragm; (9) recording trap; (10) grid system; (11) collector; (12) pipes leading to vacuum pump; (13) gas supply; (14) to pressure gauge.

Card 2/2



ROZHKOV, A.P.

AFONIN, K.B.; BURTSEV, K.I.; BYSTROV, S.N.; VINETS, G.B.; VODNEV, G.G.; VORONIN, A.S.; GEVLICH, A.S.; GRYAZNOV, N.S.; GUDIM, A.F.; GUSYATINSKIY, M.A.; DVORIN, S.S.; DIDHKO, V.Ye.; DMITRIYEV, M.M.; DOWDE, M.M.; DOROGOBID, G.M.; ZHDANOV, G.I.; ZAGORUL'KO, A.I.; ZELENETSKIY, A.G.; IVASHCHENKO, Ya.N.; KAFTAN, S.I.; KVASHA, A.S.; KIREYEV, A.D.; KLISHEVSKIY, G.S.; KOZYREV, V.P.; KOLOBOV, V.N.; LGALOV, K.I.; LEYTES, V.A.; LERNER, B.Z.; LOBODA, N.S.; LUBINEYS, I.A.; MANDRYKIN, I.I.; MUSTAFIN, F.A.; NEMIROVSKIY, N.Kh.; NEFEDOV, V.A.; OBUKHOVSKIY, Ya.M.; PRRTSEV, M.A.; PETROV, I.D.; PODOROZHANSKIY, M.O.; POPOV, A.P.; RAK, A.I.; REVYAKIN, A.A.; ROZHKOV, A.P.; ROZENGAUZ, D.A.; SAZONOV, S.A.; SIGALOV, M.B.; STOMAKHIN, Ya.B.; TARASOV, S.A.; FILIPPOV, B.S.; FRIDMAN, N.K.; FRISHBERG, V.D.; KHAR'KOV-SKIY, K.V.; KHOLOPTSEV, V.P.; TSAREV, M.N.; TSOGLIN, M.B.; CHERNYI, I.I. CHERTOK, V.T.; SHELKOV, A.K.

Samuil Borisovich Banne. Keks i khim. no. 6:64 '56.

(MLRA 9:10)

(Banne, Samuil Borisovich, 1910-1956)

TOLKOVETS, Ye.: ROZHKOV, A., starshiy inzh.

Analysis of the economic and financial activities of grain receiving enterprises. Muk.-elev. prom. 27 no.10:26-27 0 '61.  
(MIRA 14:12)

1. Kustanayskaya perevalochnaya baza. 2. Glavnyy inzh. Kustanayskoy perevalochnoy bazy (for Tolkovets).  
(Grain elevators)



ROZHKOV, A.S.

A prematurely developed form of the beetle *Pissodes notatus* F. *Praecox*  
in the Baikal region. Zool. zhur. 33, no. 4: 945-946 J1-Ag '54. (MLRA 7:8)

1. Vostochno-Sibirskiy filial Akademii nauk SSSR.  
(Baikal region--Beetles) (Beetles--Baikal region)

ROZHNOV, A. S.

ROZHNOV, A. S. --"Insect Enemies of the Pine Underbrush in the Timber Clearings near the Baikal." \* (Dissertations for Degrees in Science and Engineering Defended at USSR Higher Educational Institutions) Acad Sci USSR, Far-Eastern Branch imeni V. L. Komarov, Vladivostok, 1955

SO: Priznava Letopis', No. 25, 18 Jun 55  
in

\* For Degree of Candidate/Biological Sciences

ROZHKOV, A. S.

ROZHKOV, A. S.

Plant lice are enemies of young pines in the Lake Baikal region.  
Zool.zhur.34 no.1:147-157 Ja-F '55. (MLRA 8:3)

1. Laboratoriya entomologii Vostochno-Sibirskogo filiala AN SSSR.  
(Baikal, Lake, region--Plant lice)(Fine--Diseases and pests)

ROZHKOV, A.S.

*Sphinx pinastri* L., a pest of larch and cedar in the Baikal region.  
[with English summary in insert]. Zool.zhur.35 no.12:1907-1908  
D '56. (MIRA 10:1)

1. Vostochno-Sibirskiy filial Akademii nauk SSSR.  
(Baikal region--Moths) (Pine--Diseases and pests) (Larch--Diseases  
and pests)

ROZHKOV, A.S.

Materials on the fauna and ecology of trypetid flies (Diptera,  
Trypetidae) in Moscow Province. Trudy Vses.ent.Ob-va 45:193-217  
'56. (MLRA 10:2)  
(Moscow Province--Diptera.)

BOZHKOVA, A.S.

Larch and cedar races of *Dendrolimus sibiricus* Tschetw. (Lepidoptera,  
Lasiocampidae). Ent.oboz. 36 no.1:72-74 '57. (MIRA 10:4)

1. Laboratoriya zoologii Vostochno-Sibirskogo filiala AN SSSR.  
Irkuts.

(Siberia--Moths) (Larch--Diseases and pests) (Cedar--Diseases and  
pests)

ROZHKOV, A.S.

Seasonal dynamics of the number and harmful activities of weevils  
inhabiting young pine stands in clearings of the Baikal region.  
Trudy Vost.-Sib. fil. AN SSSR no.5:138-146 '57. (MIRA 11:9)  
(Irkutsk Province--Weevils) (Pine--Diseases and pests)

ROZHKOV, A.S.

Lepidoptera injuring buds and shoots of young pine stands in the  
Baikal region. Trudy Vost.-Sib. fil. AN SSSR no.5:122-137 '57.

(MIRA 11:9)

(Irkutsk Province--Lepidoptera) (Pine--Diseases and pests)



ROZHKOV, A.S.

Dynamics of mass multiplication nidi of *Dendrolimus sibiricus*  
in mountain forests of the southern part of the Baikal region.  
Izv. Sib. otd. AN SSSR no.4:125-133 '58. (MIRA 11:9)

1. Vostochno-Sibirskiy filial AN SSSR.  
(Khamar-Daban range--Moths) (Cedar--Diseases and pests)

USSR/General and Special Zoology. Insects

P

Abs Jour : Ref Zhur - Biol., No 6, 1958, No 25833

Author : Rozhkov A.S.

Inst : ~~Not Given~~

Title : The Pine Hawk Moth (*Sphinx pinastri* L.)-- the Pest of the Larch and Cedar in the Baykal region. (Sesnyvy brazhnik (*Sphinx pinastri* L.) vreditel' listvennitsy i kodra v Pribaykal'ye).

Orig Pub : Zool. zh., 1956, 35, No 12, 1907-1908

Abstract : The pupae of the Siberian varieties of the hawk moth in distinction from the European varieties lacked the proboscis and its sheath. The larvae fed on larch and cedar pines in the Baykal region; under laboratory conditions they fed reluctantly on pines of the pine tree and in the majority of cases perished.

Card : 1/1

*The End*

ROZHKOV, A.S.; REYMERS, N.F.

Materials on the feeding of birds on *Dendrolimus sibiricus* Tschtv.  
in mass reproduction nidi of the pest [with summary in English].  
Zool. zhur. 37 no.11:1749-1750 N '58. (MIRA 11:12)

1. Vostochno-Sibirskiy filial AN SSSR, Irkutsk i Zoologicheskii  
institut AN SSSR, Leningrad.  
(Birds--Food) (Khamar-Daban Range--Moths)

USSR / General and Special Zoology. Insects. Insect  
and Mite Pests. P

Abs Jour: Ref Zhur-Biol., No 12, 1958, 54367.

Author : Rozhkov, A. S.

Inst : Not given.

Title : The Larch and the Cedar Races of the Siberian  
Lasiocampid (*Dendrolimus sibiricus* Tschets.).

Orig Pub: Entomol. obozreniye, 1957, 36, No 1, 72-74.

Abstract: Studies of moths from the cedar and larch plantings of the Irkutskaya Oblast have established morphological differences in the races: the predominance of brown tints in the coloring of both pairs of the wings in the larch form in comparison with the cedar form, and also peculiarities in the structure of the genitals of the males, specifically in the structure of the aedeagus, and especially in the structure of

Card 1/2

Abstract: the harpes. The specimens of the different races can mate but no intermediate forms have been found.

APPROVED FOR RELEASE: 09/19/2001 CIA-RDP86-00513R001445710015-3

Card 2/2

*ROZHKOV, A. S.*

USSR / General and Specialized Zoology. Insects. P  
Physiology and Toxicology.

Abs Jour : Ref Zhur - Biol., No 10, 1958, No 44753

Author : Rozhkov, A. S.

Inst : The All-Union Entomological Society.

USSR / General and Special Zoology. Insects. Insect and Mite Pests. P

Abs Jour: Ref Zhur-Biol., No 12, 1958, 54373.

Author : ~~Rozhkov, A. S.~~  
Inst : Eastern Siberian Affiliate AS USSR.  
Title : Seasonal Dynamics in the Number and Destructive Activity of Curculionidae in the Young Pine Growth on Clearings in the Region near Lake Baikal.

Orig Pub: Tr. Vost.-Sib. fil. AN SSSR, 1957, vyp. 5, 138-146.

Abstract: As the result of a survey of the entomological fauna of the clearings, 10 species of curculio which injure young pine growth were discovered. Among these, the most widely distributed and which cause the greatest damage are Hylobius abietis, Pissodes notatus and Magdalis fermaneki. The maximum number of beetles of these three species in the focal point of propagation exceeds by many times their number in

Card 1/2

USSR / General and Special Zoology. Insects. Insect and Mite Pests. P

Abs Jour: Ref Zhur-Biol., No 12, 1958, 54373. APPROVED FOR RELEASE: 09/19/2001 CIA-RDP86-00513R001445710015-3"

Abstract: plantings where additional feeding takes place. The number of specimens in the focal point of propagation begins to increase long before the start of a noticeable decrease in the number of these species in healthy young growth. The density of the curculio population in the focal point of propagation reaches its highest point when the number of beetles at the places of additional feeding decreases by not more than one half. The maximum number of the dotted snout beetles (Pissodes notatus) and of the blue curculio at the additional feeding localities after egg-laying does not reach the level of their number in these plantings in the middle of June. -- V. I. Grimal'skiy.

Card 2/2

USSR / General and Special Zoology. Insects. Insect  
and Mite Pests.

P

Abs Jour: Ref Zhur-Biol., No 12, 1958, 54379.

Abstract: young pines, the crowns of which project over the main mass of the trees. In employing chemical measures, the young growth, infested with the pine-twig and pine cone snout-moth, should be dusted twice with DDT powder: at the time the first caterpillars are hatched and again when they appear in mass. The best measure to prevent the destructive activity of the pine twig moth is the creation on the clearings with unsatisfactory regeneration, of evenly complete plantings by means of sowing, planting or the transplanting of pine. -- V. I. Grimal'skiy.

Card 2/2

42

ROZHKOV, A.S.; PSHENICHNIKOV, L.N.

Nesting of some birds in the region of Lake Gusinoye (Transbaikalia)  
Trudy Vost.-Sib.fil.AN SSSR no.23:89-99 '60. (MIRA 14:6)  
(Gusinoye Lake region. Birds--Eggs and nests)

ROZHKOV, A.S.

Primary pests of young pine trees in the Lake Baikal region. Trudy  
Vost.-Sib.fil.AN SSSR no.23:3-13 '60. (MIRA 14:6)  
(Baikal Lake region--Forest insects)  
(Pine--Diseases and pests)



REYMERS, N.F.; ROZHKOVA, A.S.

Extermination of the Siberian silkworm (*Dendrolimus sibiricus*)  
by animals and birds in cedar pine forests of the lake Baikal region.  
Trudy Vost.-Sib.fil.AN SSSR no.23:15-32 '60. (MIRA 14:6)  
(Khamar-Daban Range—Moths—Biological control)  
(Forest insects)

ROZHKOV, A.S.

Biology of the tachinid fly *Masicera zimini* Kol., a parasite of the Siberian silkworm (*Dendrolimus sibiricus* Tschetv.) Zool. zhur. 40 no. 1:60-62 Ja '61. (MIRA 14:2)

1. Laboratory of Zoology, East Siberian Branch of the Siberian Department of the U.S.S.R. Academy of Sciences, Irkutsk.  
(Tachinid flies) (Parasites--Moths)

ROZHKOV, A.S.; SENDAROVICH, B.P.; DANOVICH, K.N.

Change in the polysaccharide content of the larch trunk damaged by  
Dendrolimus sibiricus. Izv.Sib.otd.AN SSSR no.2:125-127 '61.  
(MIRA 14:3)

I. Vostochno-Sibirskiy filial Sibirskogo otdeleniya AN SSSR,  
Novosibirsk.

(Polysaccharides)  
(Larch)

ACCESSION NR: AR4039970

S/0299/64/000/009/D005/D005

SOURCE: Ref. zh. Biol. Sv. t., Abs. 5D28

AUTHOR: Rozhkov, A. S.; Verzhutskiy, B. N.; Byalaya, I. V.;  
Volkova, L. M.

TITLE: A study of relationships between phenological phenomena in  
East Siberia. Report I. Kyrmenskaya valley (Bayandayevskiy rayon  
of Irkutsk oblast'), May-June 1960

CITED SOURCE: Biol. Vost.-Sib. fenol. komis., vyyp. 2-3, 1963, 42-46

TOPIC TAGS: East Siberia, phenology

TRANSLATION: A study of relationships between phenological dates in  
a seasonal rhythm enables the finding of indicators of important  
moments in plant and animal life which are difficult to record and  
facilitates the adoption of timely preventive measures against  
harmful insects.

SUB CODE: LS

ENCL: 00

Card 1/1

REYMERS, Nikolay Fedorovich; VORONOV, Georgiy Anatol'yevich;  
ROZHKOV, A.S., kand. biol. nauk, otv. red.; SEPPING,  
N.G., red.

[Insectivora and Rodentia in the upper Lena Valley] Na-  
sekomiadnye i gryzuny verkhnei Leny. Irkutsk, Irkutskoe  
knizhnoe izd-vo, 1963. 191 p. (MIRA 18:3)

ROZHKOV, Anatoliy Sergeevich; CHEREPANOV, A.I., otv. red.;  
KODIGONOV, L.Z., red.

[Mass reproduction of Dendrolimus and measures for its  
control] Massovoe razmnozhenie sibirskogo shelkopriada  
i nery bor'by s nim. Moskva, Nauka, 1965. 178 p.  
(MIRA 18:12)

PETRENKO, Yevgeniy Semenovich; ROZHKOV, A.S., otv. red.;  
PETROVA, D.V., red.

[Forest insect pests of Yakutia] Nasekomye - vrediteli  
lesov I Akutii. Moskva, Nauka, 1965. 165 p.  
(MIRA 18:7)

DZHGLOVA, Nina Grigor'yevna. ROZHKOV, A.S., otv. red.; BRAVKINA, Ye.T.,  
red.

[Insect pests of vegetable crops in the Lake Baikal region]  
Nasekomye - vrediteli ovoshchnykh kul'tur Pribaikal'ia. Mc-  
skva, Nauka, 1965. 109 p. (MIRA 18:4)



ROZHKOV, A.S.; SENDAROVICH, B.P.; DANOVICH, K.N.

Some relationships between the pillars of the larch spinner  
(*Dendrolimus sibiricus* Tschetv. and the larch (*Larix sibirica* Ledb.)  
it damages. Trudy Vost.-Sib. fil. AN SSSR. no.35:90-95 '62.  
(MIRA 17:6)

ROZHKOV, A.S.

Basic characteristics of the development and tasks of making  
a survey of the entomofauna in the forests of Eastern Siberia.  
Trudy Vost. - Sib. fil. AN SSSR no.30:87-90:61.

(MIRA 16:6)

(SIBERIA, EASTERN—FOREST INSECTS—RESEARCH)

ROZHKOV, Anatoliy Sergeevich; RODENDORF, B.B., doktor biol. nauk,  
prof., otv. red.

[Tent caterpillar *Dendrolimus sibiricus*; its taxonomy, philogeny,  
distribution, economic role, structure and way of life] Sibirskii  
shelkopriad; sistematicheskoe polozhenie, filogeniia, raspro-  
stranenie, ekonomicheskoe znachenie, stroenie i obraz zhizni. Mo-  
skva, Izd-vo Akad. nauk SSSR, 1963. 174 p. (MIRA 16:6)  
(Tent caterpillars)

ROZHKOV, A.T.

Pancreatic complications following gastric resection. Khirurgiia no.2:  
23-26 F '54. (MLRA 7:5)  
(Stomach--Surgery) (Pancreas--Diseases)

ROZHKOV, A.T.

Two cases of echinococcosis of the mediastinum. Khirurgiia no.6:  
79-80 Je '54. (MLRA 7:9)

(MEDIASTINUM, diseases,  
\*echinococcosis)  
(ECHINOCOCCOSIS,  
\*mediastinum)

ROZHNKY, Art. T.

Oncological Watchfulness and Errors in Diagnosing the Malignant Tumors.  
VOYENNO-METSINSKIY ZHURNAL (MILITARY MEDICAL JOURNAL) No 3, 1955. *p.13*

ROZHKOV, H T

TIKHOMIROV, I.V., kandidat meditsinskikh nauk; ROZHKOV, A.T.

Disturbance of stomach evacuation following resection. Khirurgiia no.7:34-36 j1 '55. (MLRA 8:12)  
(STOMACH, surg.  
gastrectomy, partial, causing disord. in evacuating  
funct.)

EXCERPTA MEDICA Sec 9 Vol 13/4 Surgery Apr 59

2161. THE ORGANIZATION OF AN EARLY FIRST AID SERVICE UNDER  
COMBAT CONDITIONS (Russian text) - Rozhkov A. T. and Zhulin  
V. A. - VOEN. -MED. ZH, 1957, 2 (66-69)

One of the prerequisites making an early first aid service under combat conditions possible is a strict assignment of duties to the medical personnel. Already in the field it is necessary to attempt at least an elementary sorting of the wounded to determine the priority for the necessary treatment. The importance of self-help and of mutual aid of the wounded is stressed. It is necessary to supply orderlies and sanitary instructors with syringes and cartridges containing analgesics as well as prophylactics against gas gangrene and tetanus. (S)



ROZHKOV, A.T. (Moskva)

Diagnosis of cancer of the head and tail of the pancreas. Nov.khir.  
arkh. no.3:82-83 My-Je '57. (MLRA 10:8)  
(PANCREAS--CANCER)

ROZHKOV, Art.T., polkovnik meditsinskoy sluzhby

Special training of hospital and polyclinic physicians. Voen.-med.  
zhur. no.7:3-5 J1 '57. (MIRA 11:1)

(EDUCATION, MEDICAL,  
train. of hosp. & polyclinic physicians (Rus))

ROZHKOV, Art. T.

ROZHKOV, Art. T., polkovnik meditsinskoy sluzhby

Watching for tumors in an acute febrile syndrome resembling influenza or pneumonia. Voen.-med.zhur. no.8:26-29 Ag '57. (MIRA 10:12)

(FEVER, differential diagnosis,  
acute febrile synd. simulating influenza or pneumonia,  
differ. diag. from lung cancer (Rus))

(INFLUENZA, differential diagnosis,  
same)

(PNEUMONIA, differential diagnosis,  
same)

(LUNG NEOPLASMS, differential diagnosis,  
acute febrile synd. simulating influenza or pneumonia  
(Rus))

ROZHKOV, Art.T., polkovnik med.sluzhby

All-Union Conference on Combined Radiation Injuries. Voen.-med.zhur.  
no.7:3-8 JI '58. (MIRA 12:12)

(RADIATION--PHYSIOLOGICAL EFFECT)

17(4)

SOV/177-58-11-49/50

AUTHOR: Rozhkov, Art.T., Colonel of the Medical Corps

TITLE: On the Book by V.I. Parmenov "Operativnoye lecheniye ognestrel'nykh pronikayushchikh raneniy zhivota v voyskovom rayone" (Operation of Penetrating Bullet Wounds of the abdomen in a Military District)

PERIODICAL: Voenno-meditsinskiy zhurnal, 1958, Nr 11, pp 91 - 94 (USSR)

ABSTRACT: The article is a review on the 373-page book by V.I. Parmenov, titled "Operation of Penetrating Bullet Wounds of the Abdomen in a Military District" published by the Publishing House of the Gomel'skiy gosudarstvennyy pedagogicheskiy institut imeni V.P. Chkalova "Uchenyye zapiski" (Scientific Reports), Nr. 6, Gomel', 1957. The book comprises 13 chapters, and presents the analysis of 1405 penetrating bullet wounds, based on data of WW II. There are 5 Soviet references.

Card 1/1

ROZHKOV, A.T. (Moskva, E-20, Gospital'naya ploshch., d. 3, fligel' No. 26, kv. 1)

Multiple gastrointestinal cancer originating from polyposis. Vop. onk.  
4 no.5:610-611 '58. (MIRA 12:1)

1. Iz glavnogo voyennogo gospitalya im. akad. N.N. Burdenko (nach. -  
N. M. Novskiy).

(POLYPI, case reports,

multiple metastatic gastrointestinal carcinoma from polyposis  
(Rus))

(GASTROINTESTINAL SYSTEM, neoplasms,  
same)

ROZHKOV, A.T. (Moskva)

Diagnosis of cancer of the body and tail of the pancreas.  
Klin.med. 38 no.11:80-84 N '60. (MIRA 13:12)

1. Iz Glavnogo voyennogo gospitalya imeni akademika N.N.  
Burdenko.

(PANCREAS--CANCER)

ROZHKOV, Art. T., polkovnik meditsinskoy sluzhby

Method of the physician in pigmented formations on the skin.  
Voen.-med.zhur. no.1:43-46 Ja '61. (MIRA 14:1)  
(MOLE (DERMATOLOGY))



ROZHKOV, Aft. P.

"Scientific session of the Scientific Research Institute of Experimental Surgical Apparatus and Instruments" - p. 93

Voyenno Meditsinskiy Zhurnal, No. 3, 1962

AKOPYAN, S.Sh., polkovnik meditsinskoy sluzhby; ROZHKOV, Art.T., polkovnik  
meditsinskoy sluzhby

The N.N.Burdenko main military hospital in the period before the congress.  
Voen.-med. zhur. no.8:9-12 Ag '61. (MIRA 15:2)  
(MOSCOW...HOSPITALS, MILITARY)

ROZHKOV, Art. T., polkovnik meditsinskoy sluzhby

Jubilee conference of the physicians of the N.N. Burdenko Main  
Military Hospital. Voen.-med. zhur. no. 7:96 J1 '61. (MIRA 15:1)  
(SURGERY)

ROZHKOV, Andr.T., polkovnik med.sluzhby

Some problems in method for special tactical instruction of the  
regimental medical service. Voen.-med. zhur. no.5:21-24 My '61.  
(MIRA 14:8)

(MEDICINE, MILITARY--STUDY AND TEACHING)

ROZHKOV, A.V.

Transastragalar amputation using a mediopltantar flap. Ortop.,  
travm. i protez. 24 no.12:24-29 D '63. (MIRA 17:7)

1. Iz Leningradskogo instituta protezirovaniya (direktor -  
dotsent M.V. Strukov). Adres avtora: Leningrad, prosp. Karla  
Marksa, d. 9/12, Institut protezirovaniya.

ROZHKOV, A.V.

Use of plantar skin in amputations. Vestn. khir. Grekov. 90 no.4:  
104-108 Ap'63 (MIRA 17:2)

1. Iz Leningradskogo nauchno-issledovatel'skogo instituta prote-  
zirovaniya (nauchnyy rukovoditel' - prof. S.F. Godunov). Adres  
avtora: Leningrad, prosp. Karla Marksa, d. 9/12, Institut prote-  
zirovaniya.

ROZHKOV, A. V.; BOL'SHAKOV, V. G.

USSR, (600)

Steam boilers - furnaces

Hydraulic removal of slag., Tekst. prom., no. 2, 1952

Monthly List of Russian Accessions, Library of Congress, March 1952. UNCLASSIFIED

BAUKIN, L.I., gvardii podpolkovnik med. sluzhby; ROZHKOVA, And. T., polkovnik  
med. sluzhby; KHOLMANSKIY, N.S., polkovnik med. sluzhby;

Some aspects of the organization of medical services of a field army  
of the United States. Voen. med. zhur. no.4:91-96 Ap '57. (MIRA 12:7)  
(MEDICINE, MILITARY AND NAVAL,  
organiz. in US (Rus))

128



SOV/177-58-7-11

17(10)

AUTHOR:

Rozhkov, Art.T., Colonel of the Medical Corps  
Radiation Injuries

TITLE:

PERIODICAL:

Voyenno-meditsinskiy zhurnal, 1958, Nr 7, pp 3-8 (USSR)

ABSTRACT:

An All-Union Conference on Combined Radiation Injuries organized by the USSR Ministry of Public Health and the Tsentral'nyy institut travmatologii i ortopedii (Central Institute of Traumatologii and Orthopedics) took place in Moscow from 9 to 12 June 1958. In his opening speech, Professor N.N. Priorov, Member of the Academy of Medical Sciences, stressed the importance of studying pathogenesis, clinic and treatment of radiation disease, as atomic power is being more and more applied. The conference heard more than 50 lectures on three main points of the program: 1) open trauma and injuries of the soft tissues in simultaneous radiation injury, 2) radiation injuries and burns, and 3) radiation injuries

Card 1/6

SOV/177-58-7-1/28

An All-Union Scientific Conference on Combined Radiation Injuries

and fractures. The lecture by Professor A.N. Berkutov, N.N. Aleksandrov and their assistants on "The Experience in Studying Combined Injuries" was a summary of the authors' observations of the course and treatment of combined injuries in animals. The authors stated that the presence of wounds in animals, caused by penetrating radiation, sharply aggravates the course of the radiation disease and, on the other hand, a radiation injury seriously aggravates the course of the wound process (the so-called syndrome of mutual aggravation). By studying the healing process of the wound, it became obvious that the first phase - the resorption phase - takes a specially serious course, partially due to Leucopenia accompanied by a considerable relaxation of the phagocytic processes. According to Ye.V. Dmitriyeva from the Institut eksperimental'noy meditsiny AMN (Institute of Experimental Medicine

Card 2/6

SOV/177-58-7-1/28

An All-Union Scientific Conference on Combined Radiation Injuries

of the USSR Academy of Sciences), the second or regeneration phase takes a much better course. Answering the problems of Berkutov's lecture, Professor S.A. Rusanov emphasized that the "syndrome of mutual aggravation" is not inevitable in all cases, but depends on the proportion and seriousness of each of the components. N.N. Aleksandrov and S.V. Ryzhkov reported on the importance of blind (glukhoy) primary suture in open cranio-cerebral wounds caused by ionizing radiation. G.K. Mikushkin stated that penicillin injection has the same effect as in control animals. The lectures of N.S. Dzhevadyan and G.V. Sukyasyan from the Tsentral'nyy institut gematologii (Central Institute of Hematology) dealt with the treatment of a traumatic shock in acute radiation disease. Based on experiments,

Card 3/6

Card 4/6

control case in dogs administering V.G. K. Injuries complicated the primary treatment and S.A. P. in radioactive substances. A. A. P. interested in "Radiation Disease and Injuries" R.L. Ginzburg. Professor B.M. Khromov. R.L. Ginzburg and A. A. P. devoted to the lecture and film of quick-closure of burnt plastics for primary closure of burnt

An All-Union Scientific Conference on Combined Radiation Injuries

SOV/177-58-7-1/28

surfaces. O.S. Misharev, G.A. Zubovskiy and assistants of the Institut khirurgii AMN (Institute of Surgery of the USSR Academy of Medical Sciences), including A.L. Komendantov and Ye.A. Khrushchov dealt with the peculiarities in the course of burns on the background of radiation disease. Professor N.A. Fedorov and S.V. Skurkovich reported on "Pathogenesis and Treatment of the Radiation Disease". The lecture on bone fractures, features of the radiation disease and treatment in radiation disease. The lecture by Professor N.N. Priorov. The lecture by Ponomarenko.

ROZHKOV, B. A.

Inland Water Transportation

Socialist competition is the communist method of construction. Rech. transp. 12 No. 3, 1952

Monthly List of Russian Accessions. Library of Congress, August 1952, Unclassified.



ROZHKOV B.N.

Ca

PROCESSES AND PROPERTIES INDEX

Pre-Cambrian granites on the Anabar, N. E. Siberia, and associated ore concentrations. B. N. Rozhkov and G. G. Moore. *Bull. acad. sci. U. R. S. S., Classe sci. math. nat., Sér. géol.* 1956, 729-73; *Mineralog. Abstracts* 7, 48.—The schists here are injected by acid and basic magmas forming stocks, sills and migmatitic complexes. The normal type (microcline granite) near the contact is transformed into plagioclase-, amphibole- and hypersthene granites, the outermost zone indicating K transfusion, with development of K feldspar and biotite. Pegmatite, apfite and ore-bearing veins are frequent, the last contg. auriferous sulfides, monazite, cassiterite, etc.; 4 analyses are given. C. A. Silbertad

COMMON ELEMENTS

COMMON VARIABLES INDEX

OPEN MATERIALS INDEX

A 53-51A METALLURGICAL LITERATURE CLASSIFICATION

GROUPS

LETTERS

LETTERS

ROZHKOVA, B. N., MOOR, G. G. and TKACHENKO, B. V.

Materials on the geology and Petrography of the Anabar range.  
Trudy Arkt iust Vol. 6, 1936

SO: Trudy Arkticheskogo Nauchno-Issledovatel'skogo  
Instituta, GUSMP, Council of Ministers, Vol. 201,  
1948

GOZENPUT, Mikhail Davidovich; ROZHKOV, D.S., red.

[Electric butt welding of band saws] Stykovaia elektro-  
svarka lentochnykh pil. Moskva, Lesnaia promyshlennost',  
1965. 32 p. (MIRA 18:5)



VASIL'YEV, P.V., professor, doktor ekonomicheskikh nauk, otvetstvennyy redaktor; ROZHKOY, D.S., redaktor izdatel'stva; MAKUNI, Ye.V., tekhnicheskiiy redaktor

[Proceedings of a conference on industrial utilization of woodwaste]  
Materialy soveshchaniia po problemam promyshlennogo ispol'sovaniia otkhodov drevesiny. Moskva, Izd-vo Akademii nauk SSSR, 1956. 286 p.  
(MLRA 10:2)

1. Soveshchaniye po problemam promyshlennogo ispol'zovaniya otkhodov drevesiny. Moscow, 1955.  
(Wood waste)

SHODE, Georgiy Avgustovich; ROZHKOV, D.S., redaktor; SARMATSKAYA, G.I.,  
redaktor izdatel'stva; KOLESNIKOVA, A.P., tekhnicheskii redaktor

[Innovations in sawmill practice; based on foreign literature]  
Novoe v tekhnike lesopileniia; po dannym inostranoi pečati.  
Moskva, Gos. esbumizdat, 1956. 97 p. (MIRA 9:9)  
(Woodworking machinery)

BERSHADSKIY, Aleksandr L'vovich, professor; ROZHKOV, D.S., redaktor;  
AGRANOVSKAYA, N.D., redaktor izdatel'stva; KOLESNIKOVA, A.P.,  
tekhnicheskiy redaktor

[Wood cutting] Rezanie drevesiny. Moskva, Goslesbumizdat, 1956.  
328 p. (MIRA 10:2)  
(Woodworking machinery)

KOLOBOV, Vladimir Dmitriyevich; ROZHKOY, D.S., red.; VOLOKHONSKAYA, L.V.,  
red.izd-va; BRATISHKO, L.V., tekhn.red.

[Frame saws and their operation] Ramnye pily i ikh ekspluatatsiia.  
Izd.2., perer. Moskva, Goslesbumizdat, 1959. 144 p.  
(MIRA 13:6)

(Saws)

ROZHKOV, D.S., inzhener; FEOKTISTOV, A.Ye., inzhener.

Use of wire tensiometers for determination of cutting forces. Der.  
prom. 6 no.4:16 Ap '57. (MLRA 10:6)

1. TSentral'nyy nauchno-issledovatel'skiy institut mekhanicheskoy  
obrabotki drevesiny.

(Tensiometers)

LOZANO, J. J.

Saws

Flattening the teeth of frame saws; conclusion. Les. prom. 12, No. 7, 1952.

9. Monthly List of Russian Accessions, Library of Congress, September 1953<sup>2</sup>, Uncl.

ROZNIKOV, D.S.

Saws

Flattening the teeth of frame saws. Les.prom. 12, no. 6, 1952.

9. Monthly List of Russian Accessions, Library of Congress, AUGUST 1952 ~~1955~~. Unclassified.





PROCESSES AND PROPERTIES INDEX

CA

7

The determination of small quantities of manganese in steels with the aid of the steeloscope. B. N. Barkov and E. M. Rozhkov. *Zarodskaya Lab.* 13, 194-6(1947). Two surfaces at right angles are ground on the sample and their common edge is given a radius of curvature of 0.5-1 mm. This edge is placed vertically, opposite a stationary Cu electrode. A Sventitsky a.-c. arc at 8 amp. is used for excitation. Detns. accurate to less than ± 20% are obtainable where Mn is between 0.02 and 0.15% by comparing Mn 4783.4 (A) with Fe 4780.8 (B), 4779.4 (C), and 4788.7 (D). At 0.06% Mn, A = C; at 0.08% Mn, A = D; at 0.16% Mn, A = B. Cyrus Feldman

METALLURGICAL LITERATURE CLASSIFICATION

SIGNATURE

1ST AND LETTER

2ND LETTER

3RD LETTER

4TH LETTER

5TH LETTER

6TH LETTER

7TH LETTER

8TH LETTER

9TH LETTER

10TH LETTER

11TH LETTER

12TH LETTER

13TH LETTER

14TH LETTER

15TH LETTER

16TH LETTER

17TH LETTER

18TH LETTER

19TH LETTER

20TH LETTER

21ST LETTER

22ND LETTER

23RD LETTER

24TH LETTER

25TH LETTER

26TH LETTER

27TH LETTER

28TH LETTER

29TH LETTER

30TH LETTER

31ST LETTER

32ND LETTER

33RD LETTER

34TH LETTER

35TH LETTER

36TH LETTER

37TH LETTER

38TH LETTER

39TH LETTER

40TH LETTER

41ST LETTER

42ND LETTER

43RD LETTER

44TH LETTER

45TH LETTER

46TH LETTER

47TH LETTER

48TH LETTER

49TH LETTER

50TH LETTER

51ST LETTER

52ND LETTER

53RD LETTER

54TH LETTER

55TH LETTER

56TH LETTER

57TH LETTER

58TH LETTER

59TH LETTER

60TH LETTER

61ST LETTER

62ND LETTER

63RD LETTER

64TH LETTER

65TH LETTER

66TH LETTER

67TH LETTER

68TH LETTER

69TH LETTER

70TH LETTER

71ST LETTER

72ND LETTER

73RD LETTER

74TH LETTER

75TH LETTER

76TH LETTER

77TH LETTER

78TH LETTER

79TH LETTER

80TH LETTER

81ST LETTER

82ND LETTER

83RD LETTER

84TH LETTER

85TH LETTER

86TH LETTER

87TH LETTER

88TH LETTER

89TH LETTER

90TH LETTER

91ST LETTER

92ND LETTER

93RD LETTER

94TH LETTER

95TH LETTER

96TH LETTER

97TH LETTER

98TH LETTER

99TH LETTER

100TH LETTER

1 2 3 4 5 6 7 8 9 10 11 12 13 14 15 16 17 18 19 20 21 22 23 24 25 26 27 28 29 30 31 32 33 34 35 36 37 38 39 40 41 42 43 44 45 46 47 48 49 50 51 52 53 54 55 56 57 58 59 60 61 62 63 64 65 66 67 68 69 70 71 72 73 74 75 76 77 78 79 80 81 82 83 84 85 86 87 88 89 90 91 92 93 94 95 96 97 98 99 100

117 AND 120 COLUMNS      PROCESSES AND PROPERTIES INDEX      120 AND 121 COLUMNS

5      21

**The Determination of Small Quantities of Manganese in Steel with the Aid of the Spectroscope.** B. N. Barkov and E. M. Ruzhkov. (Zavodskaya Laboratoriya, 1947, vol. 13, pp. 184-186 [in Russian]; Chemical Abstracts, 1949, vol. 43, May 10, col. 3318). Two surfaces at right angles are ground on the sample and their common edge is given a radius of curvature of 0.5 to 1 mm. This edge is placed vertically, opposite a stationary copper electrode. A Sventitsky A.C. arc at 8 amp. is used for excitation. Determinations accurate to less than  $\pm 20\%$  are obtainable where manganese is between 0.02 and 0.15% by comparing manganese 4783.4 (A) with iron 4780.8 (B), 4779.4 (C), and 4788.7 (D). At 0.06% manganese A = C; at 0.08% manganese A = D; at 0.15% manganese A = B.

459.55 A METALLURGICAL LITERATURE CLASSIFICATION

ADVANCE INDEX      121 AND 122 COLUMNS

11 12 13 14 15 16 17 18 19 20 21 22 23 24 25 26 27 28 29 30 31 32 33 34 35 36 37 38 39 40 41 42 43 44 45 46 47 48 49 50 51 52 53 54 55 56 57 58 59 60 61 62 63 64 65 66 67 68 69 70 71 72 73 74 75 76 77 78 79 80 81 82 83 84 85 86 87 88 89 90 91 92 93 94 95 96 97 98 99 100

ZAKHAROVA, Yevdokiya Il'ichna; ROZHKOV, D.S., red.; MAKSAKOVA,  
A.M., red. izd-va; GRECHISHCHEVA, V.I., tekhn. red.

[Studying saw sashes of two-floored frame saws] Issledovanie  
pil'nykh ramok dvukhetazhnykh lesopil'nykh ram. Moskva,  
Goslesbumizdat, 1962. 70 p. (MIRA 17:3)

RUDNIK, Mordko Srulevich; ROZHKOV, D.S., nauchn. red.; BAL'YAN,  
L.G., red.izd-va; MATVEYEVA, A.Ye., tekhn. red.

[Standardization of woodworking equipment and instruments]  
Standartizatsia derevoobrabatyvaiushchego oborudovania i  
instrumenta. Moskva, Standartgiz, 1963. 80 p.  
(MIRA 16:12)

(Woodworking machinery--Standards)

KOLOBOV, Vladimir Dmitriyevich; ROZHKOV, D.S., red.; VOLOKHONSKAYA,  
L.V., red.izd-va; BRATISHKO, L.V., tekhn.red.

[Gang saws and their operation] Ramnye pily i ikh ekspluatatsiia.  
Izd.2., perer. Moskva, Goslesbumizdat, 1959. 144 p. (MIRA 12:12)  
(Saws)

PETROVSKAYA, Marianna Nesterovna; ROZHKOVA, D.S., redaktor; SIDEL'NIKOVA, L.A.  
SHITS, V.P., tekhnicheskii redaktor

[Mechanizing the swaging of teeth on framing saws] Mekhanizatsiia  
plushchbeniia zub'ev rabnykh pil Moskva, Goslezbumizdat, 1955.  
65 p. (MLRA 9:3)

(Saw filing)

MANZHOS, Fedor Matveyevich, professor, doktor tekhnicheskikh nauk; ROZHKOV,  
D.S., redaktor; SARMATSKAYA, G.I., redaktor; KARASIK, N.P., tekhnicheskii  
redaktor.

[The adjustment of woodworking machinery] Nastroika derevotreshchichikh  
stankov. Moskva, Goslesbumizdat, 1955. 103 p. (MLRA 8:6)  
(Woodworking machinery)

FINKEL'SHTEYN, Sergey Maksimovich; ROZHKOVA, D.S., redaktor; DASHKOVA, Z.F.,  
redaktor; YERMAKOVA, Ye.A., tekhnicheskiiy redaktor.

[Maintenance of cutting tools for sawing timber] Ukhod za rezhushchimi  
instrumentami v lesopilenii. Moskva, Goslesbumizdat, 1955. 116 p.  
(Cutting tools) (Woodworking machinery) (MIRA 8:6)



MANZHOS, Feder Matveyevich, professor, doktor tekhnicheskikh nauk; ROZHKOV,  
D.S., redakter; KOLESNIKOVA, A.P., tekhnicheskii redakter.

[Testing wood working machines for precision] Ispytaniia dereve-  
rezhushchikh stankov na tochnost' v usloviakh ekspluatatsii.  
Moskva, Goslesbumizdat, 1956. 113 p. (MLRA 9:2)  
(Woodworking machinery)

ROZHKOV, E., inzh. (Kaluga)

Toward over-all mechanization. Mest.prom. 1 khud.promys. 2  
no.9:26 S '61. (MIRA 14:11)

(Kaluga--Brewing industry)  
(Kaluga--Carbonated beverages)

ROZHNKOV, E., inzhener-maier

In space on an airplane. Aviat's kosmonavt č. no. 10: 6-7 '62.

7

VASIL'YEV, V.G.; YEROFEYEV, N.S.; ANIKEYEVA, I.B.; YELIN, N.D.;  
YELOVNIKOV, S.I.; KOLOTUSHKINA, A.F.; L'VOV, M.S.;  
MATVIYEVSKAYA, N.D.; MIRONCHEV, Yu.P.; MODELEVSKIY, M.Sh.;  
MURATOVA, A.T.; MUSTAFINOV, R.A.; ROZHKOV, E.L.; SNEGIREVA,  
O.V.; STAROSEL'SKIY, V.I.; SYTNIK, N.A.; NEVEL'SHTEYN, V.I.,  
ved. red.; YASHCHURZHINSKAYA, A.B., tekhn. red.

[Prospecting for gas fields in the U.S.S.R. during four  
years of the seven-year plant] Poiski i razvedka gazovykh  
mestorozhdenii v SSSR za chetyre goda semiletki. Leningrad,  
Gostoptekhizdat, 1963. 171 p (MIRA 16:8)  
(Gas, Natural--Geology)