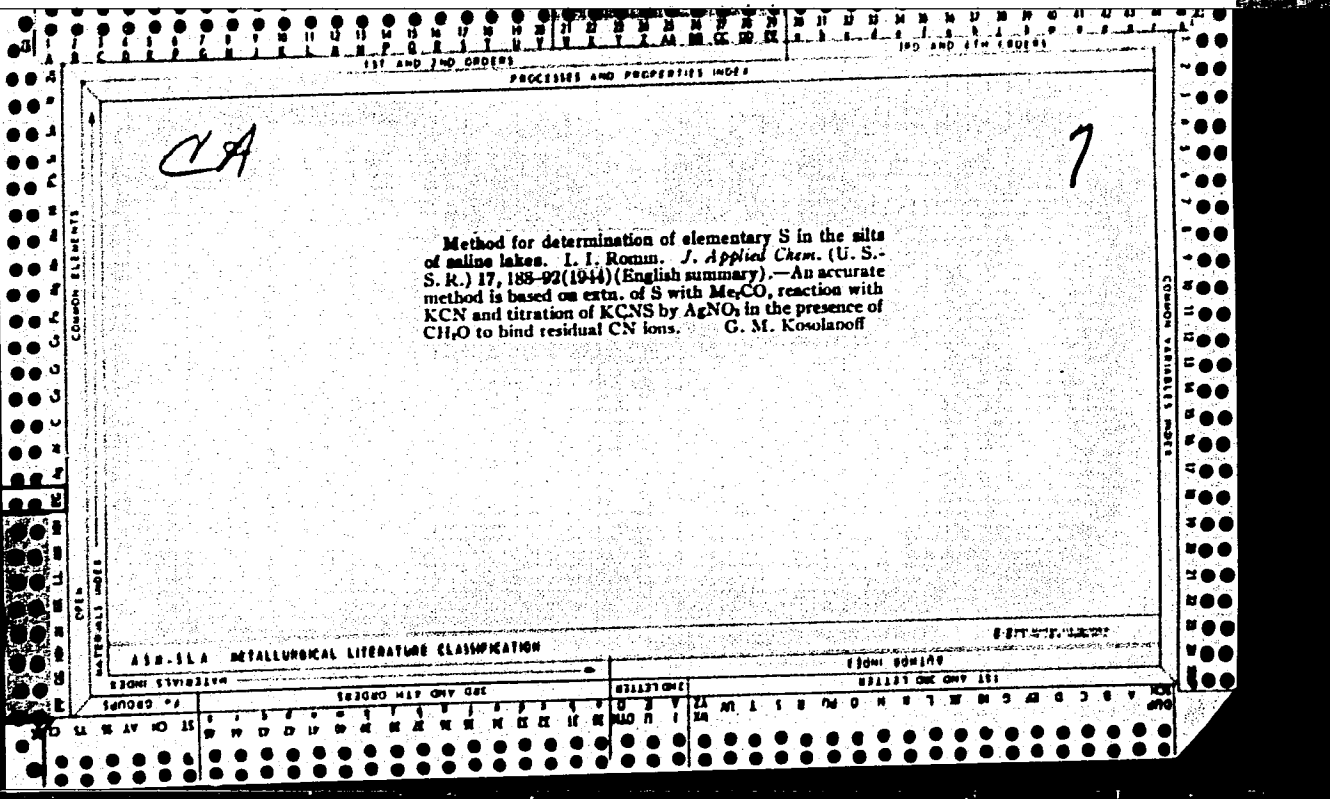


ROM, I.I.

"Occurrence of Strontium and Barium in Oil-Field Waters of the Ural--Volga  
Region," *ibid*, 35, No.4, 1942. Inst. Mineral Fuels; Acad. Sci., c1942-.



CA

The content of vanadium in solid bitumens and bituminous rocks of the Urals and the near-Volga area. I. I. Romm. *Compt. rend. acad. sci. U.R.S.S.* 51, 47-50 (1946).  
 Data indicate that V is confined to the org. matter of bituminous nature. The V seems to be confined to the asphaltene-pitchy portion of the bitumen. V ranges from  $1.41 \times 10^{-3}$  to  $1.19 \times 10^{-2}$ . Thirty-three analyses are given.  
 John E. Husted

ASME-5LA METALLURGICAL LITERATURE CLASSIFICATION

VEBER, V.V., professor; GINZBURG-KARAGICHEVA, T.L.; GLEBOVSKAYA, Ye.A.;  
GORSKAYA, A.I.; ZAKHAROV, A.A.; MANUCHAROVA, Ye.A. [deceased];  
MEKHTIYEVA, V.L.; ROMM, I.I.; SAVICH, V.G.; TALDYKINA, N.N.,  
FOKINA, N.I.; YURKEVICH, I.A.; MIRCHINK, M.F., professor, redaktor;  
L'VOVA, L.A.; redaktor; TROFIMOV, A.V., tekhnicheskii redaktor..

[Accumulation and transformation of organic substances in recent  
sea sediments; in the light of the problem of oil origin] Nakoplenie  
i preobrazovanie organicheskogo veshchestva v sovremennykh morskikh  
osadkakh; v aspekte problemy proiskhozhdeniia nefti. Sbornik statei  
pod red. M.F. Mirchink. Moskva, Gos. nauchno-tekhn. izd-vo neftianoi  
i gorno-toplivnoi lit-ry, 1956. 342 p. (MLRA 9:6)

1. Vsesoyuznyy nauchno-issledovatel'skiy geologorazvedochnyy institut.
2. Chlen korrespondent AN SSSR (for Mirchink)  
(Sapropelites) (Marine biology) (Petroleum geology)

T - M M I I.

✓ Some geochemical characteristics of contemporary marine  
 sediments. I. I. Romm. *Nakoplenie i Preobrazovanie*  
*Org. Veshchev v Morskikh Osadkakh. Vostochny*  
*Nauch.-Issledovatel'skiy Tsentr Kaznedokh Nefi Inst. 1956. 144*  
 (a) Specimens from Caspian deposits were examd. with  
 the following results. The Fe<sup>++</sup>/Fe<sup>+++</sup> ratio tends to rise,  
 especially in large grain deposits, with increase of org.  
 matter. The carbonate content rises with org. matter and  
 Fe. Free H<sub>2</sub>S is generally low except in organogenic silt  
 where it may reach 0.1%; bound sulfides are mainly concd.  
 in decomp. org. plant matter. Sulfate varies directly  
 with moisture content and with content of org. plant mat-  
 ter; sulfide S follows a similar pattern and tends to rise  
 with increasing state of decompn. of marine plants. Ele-  
 mental S follows the pattern of sulfides, but some black  
 sands are devoid of free S. Taman Peninsula sediments are  
 in a more reduced state than are Caspian sands, mainly  
 owing to larger content of org. matter in the former.

G. M. Kosolapoff

*[Handwritten signature]*

2000 T

Distribution of vanadium in initial organic matter and contemporary marine sediments. I. I. Romm. *Nakopleni i Preobrazovaniia Org. Veshchestv v Serebren. Morskikh Osadkakh, Vostoyu. Nauch.-Issledovatel. Geol.-Razvedch. Inst. 1956, 161-7.*—Generally increasing V content is found with increase of clay component in the sediment and decrease in sand component. *Ruppia* is devoid of V. *Zostera* contains  $0.35 \times 10^{-4}$  %, *Cladophora* contains  $1.94 \times 10^{-4}$  %. Diatoms are devoid of V. Blue-green algae (*Microcoleus*, *Phormidium*) contain most V  $2.58 - 3.85 \times 10^{-4}$  %. Most of the V content of the deposits is of terrigenous origin, and a smaller part is of biol. origin.

L

10010-67  
ACC NR: AP6029898

TC  
SOURCE CODE: UR/0413/66/000/015/0060/0060

INVENTORS: Gankin, I. A.; Loykin, I. V.; Gorodetskiy, M. A.; Romn, I. M. 4/5

ORG: none

TITLE: A multichannel device for controlling the closing reliability of contacts.  
Class 21, No. 184352 [announced by Leningrad Industrial Society "Krasnaya Zarya"  
(Leningradskoye proizvodstvennoye ob'yedineniye "Krasnaya zarya")]

SOURCE: Izobret prom obraz tov zn, no. 15, 1966, 60

TOPIC TAGS: circuit reliability, electric switch, resistance bridge

ABSTRACT: This Author Certificate presents a multichannel device for controlling the closing reliability of contacts of low voltage electric equipment. The device provides for recording the failure associated with the increase of the junction resistance of the contacts being tested above an established limit. The device includes the test contacts, a power supply source for the test contacts, load resistances in the contact circuits, transistorized amplifiers with a source of stabilized voltage bias, a threshold sensing element, and a unit for recording the failures (see Fig. 1). The design increases the precision and stability of the device and makes it possible to reset simultaneously the recording threshold of all channels. The threshold sensing element of the device is made in the form of a bridge

UDC: 621.318.56.066.6.087-752

Card 1/3

L 10310-67

ACC NR: AP6029898

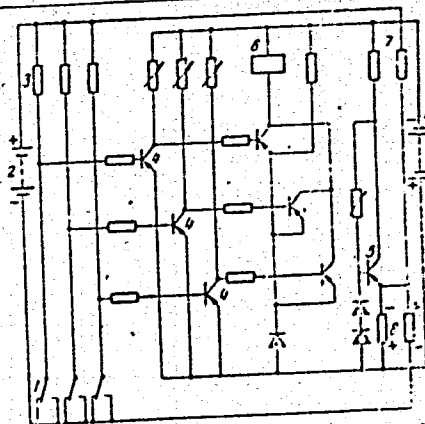


Fig. 1. 1 - test contacts;  
 2 - power supply source;  
 3 - load resistances;  
 4 - amplifiers; 5 - source  
 of stabilized voltage;  
 6 - recording unit;  
 7 - resistance equal to the  
 load resistance; 8 - resistance  
 equal to the established  
 limiting value of the junction  
 resistance

with one arm comprised of a load resistance and the test contact of each channel. The other arm of the bridge is comprised of a divider consisting of a resistance equal to the load resistance and of a resistance equal to the established limiting value of the junction resistance. The power supply source of the test contacts is connected to one of the diagonals of the bridge. The amplifiers (made with transistors) are connected to the appropriate diagonals of each of the channels. To reduce the mutual influence of the separate channels on the recording threshold of each channel with a distinct magnitude of the junction resistance of the test contacts, the recording unit is connected to the amplifiers through buffer stage transistors. To reduce the influence of the amplifier on the conditions of the test contacts and to protect the

Card 2/3



10-110-57

ACC NR: AP6029898

transistors of the amplifier when an increased voltage is fed to the test contacts, a diode is connected between the amplifier and the test contact of each channel. The diode obtains its voltage bias from an auxiliary power supply source. Orig. art. has: 1 figure.

SUB CODE: 09/

SUBM DATE: 12Mar65

Card 3/3

ALEKSANDROVA, Ye.M.; SHITS, L.A.; ROMM, I.P.; Primala uchastiye  
KRIVOPALOVA, I.S.

Influence of nonionogenic surface-active substances on aggregative  
stability of polystyrene latex stabilized by sodium oleate. Dokl.  
AN SSSR 148 no.3:637-640 Ja '63. (MIRA 16:2)

1. Moskovskiy khimiko-tekhnologicheskii institut im. D.I. Mende-  
leyeva. Predstavleno akademikom P.A. Rebinderom.  
(Surface-active agents) (Styrene polymers)

S/020/63/148/003/034/037  
B101/B186

AUTHORS: Aleksandrova, Ye. M., Shits, L. A., Romm, I. P.

TITLE: Effect of non-ionogenic, surface-active substances on the aggregative stability of polystyrol latex stabilized by sodium oleate

PERIODICAL: Akademiya nauk SSSR. Doklady, v. 148, no. 3, 1963, 637 - 640

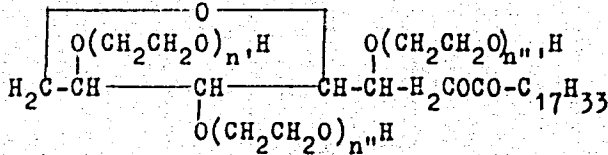
TEXT: The study deals with the change in stability of polystyrol latex stabilized by 0.6 parts by weight of sodium oleate per 100 parts of monomer with addition of the following surface-active substances (SAS): ОП-7 (OP-7),

$R-\text{O}(\text{CH}_2\text{CH}_2\text{O})_n\text{H}$ ,  $R = \text{C}_{8-10}$ ,  $R' = R$  or  $\text{H}$ ,  $n \approx 7$ , mean molecular weight (MW) = 531, dipole moment  $D = 3.50$ ; ОП-10 (OP-10), ditto,  $n \approx 10$ , MW = 563,  $D = 4.41$ ; ОП-20 (OP-20), ditto,  $n \approx 20$ , MW = 1125,  $D = 5.36$ ; ОС-20 (OS-20),  $R:\text{O}(\text{CH}_2\text{CH}_2\text{O})_n\text{H}$ ,  $R = \text{C}_{16-18}$ ,  $n \approx 20$ , MW = 1185,  $D = 5.66$ ; dispersing agent ТВ-80 (TV-80),

Card 1/3

S/020/63/148/003/034/037  
B101/B186

Effect of non-ionogenic...



$n' + n'' + n''' \approx 20$ ,  $MW = 1308$ ,  $D = 5.87$ . The SAS were added either to a latex not saturated with sodium oleate or to a latex that contained an amount of sodium oleate such that its adsorption shells were fully occupied. The stability of latex was determined by measuring the time  $\tau$  after which coagulation set in between two coaxial cylinders during mixing.  $S' = \tau/\tau_0$  was calculated, where  $\tau_0$  is the coagulation time without SAS. With saturated latex, the SAS effected a sharp increase of  $S'$ , even with admixtures of only  $\sim 0.02$  mg-equ/g. With unsaturated latex,  $S'$  first fell stepwise; then it increased slowly with small additions, and sharply with large additions (0.06 - 0.12 mg-equ/g). As to their destabilizing effect, the SAS constitute the following order: TV-80 > OS-20 > OP-20 > OP-10 > OP-7. In unsaturated latex, the SAS screens off the sodium oleate molecules or ions, thus deteriorating the protective effect of the monolayer. Further addition

Card 2/3

Effect of non-ionogenic...

S/020/63/148/003/034/037  
B101/B186

of SAS effects brittleness of the monolayer, causing the second drop of  $S'$ . Not before a polymolecular adsorption layer has formed,  $S'$  increases; in saturated latex,  $S'$  rises immediately. There are 2 figures and 1 table. The English-language reference is: R. J. Orr, Rubber and Plast. Age, 41, no. 9, 971, 1027 (1960).

ASSOCIATION: Moskovskiy khimiko-tehnologicheskii institut im. D. I. Mendeleeva (Moscow Institute of Chemical Technology imeni D. I. Mendeleev)

PRESENTED: October 3, 1962, by P. A. Rebinder, Academician

SUBMITTED: September 10, 1962

Card 3/3

ROMM, I. Ya.

Course and outcome of pregnancy and labor in nephrolithiasis.  
Akush. i gin. 39 no.3:20-23 My-Je'63 (MIRA 17:2)

1. Iz otdeleniya fiziologii i patologii beremennosti (zav. -  
prof. S.M. Bekker) i urologicheskogo kabineta (zav. - kand.  
med. nauk N.I. Chuchelov) Instituta akusherstva i ginekologii  
(direktor - prof. M.A. Petrov-Maslakov) AMN SSSR.

ROMM, I.Ya.

Pregnancy and labor in women with one kidney. Akush. i gin. 38  
no.5:118-120 S-0 '62. (MIRA 17:11)

1. Iz otdeleniya patologii beremennosti (zav. - prof. S.M. Bekker)  
i urologicheskogo kabineta (zav. - dotsent N.I. Chuchelov) Insti-  
tuta akusherstva i ginekologii (dir. - prof. M.A. Petrov-Maslakov)  
AMN SSSR.

ROMM, I.Ya.

Result of use of corpus luteum hormones in the treatment of  
toxicosis during the second half of pregnancy. Akush. i gin.  
35 no.2:31-35 Mr-Ap '59. (MIRA 12:5)

1. Iz otdeleniya fiziologii i patologii beremennosti (zav. -  
prof. S.M.Bekker) Instituta akusherstva i ginekologii (dir. -  
chlen-korrespondent AMN SSSR prof. P.A.Beloshapko). AMN SSSR.

(PREGNANCY TOXEMIAS, ther.

progesterone (Rus))

(PROGESTERONE, ther. use

pregn. toxemias (Rus))



SHVANG, L.I.; ROMM, I.Ya.

Electroencephalographic modifications in dysmenorrhea. Akush. gin.  
no. 1:25-32 Jan-Feb 1953. (CIMI 24:2)

1. Of the Institute of Obstetrics and Gynecology (Director -- Prof.  
A. P. Nikolayev), Academy of Medical Sciences USSR.

ROMM, M.M.

Neural somite of the polychaete *Harmothoe imbricata*. Uch.zap.  
Kaz.un. 120 no.6:33-51 '60. (MIRA 16:2)  
(Polychaeta) (Nervous system—Worms)

ROMM, M. M.

Romm, M. M. — "The Trunk Nervous System of the Polychaete *Harmothoe imbricata*." Kazan State U imeni V. I. Ul'yanov-Lenin, Kazan', 1954 (Dissertation for the Degree of Candidate in Biological Sciences)

SO: Knizhnaya Letopis', No 24, 11 June 1955, Moscow, Pages 91-104

CHICHIBABIN, Aleksey Yevgen'yevich. Prinimali uchastiye: REUTOV, O.A.; KITAYGORODSKIY, A.I., prof.; LIBERMAN, A.L., doktor khim. nauk; BAGDASAR'YAN, Kh.S., doktor khim. nauk; PLATE, N.A., kand. khim. nauk; KOLOSOV, M.N., kand. khim. nauk; BOTVINIK, M.M., doktor khim. nauk; STEPANOV, V.M., kand. khim. nauk; MEL'NIKOV, N.N., prof.; DEREVITSKAYA, V.A., doktor khim. nauk; LIBERMAN, A.L., red.; SERGEYEV, P.G. [deceased]; ROMM, R.S., red.; SHPAK, Ye.G., tekhn. red.

[Basic principles of organic chemistry] Osnovnye nachala organicheskoi khimii. Izd.7. Pod red. P.G.Sergeeva i A.L. Libermana. Moskva, Goskhimizdat. Vol.1. 1963. 910 p. (MIRA 16:10)

1. Chlen-korrespondent AN SSSR (for Reutov).  
(Chemistry, Organic)

ROMM, S.Z., kand.med.nauk

Effect of masking on hearing acuity, on the tone and speech of subjects working in conditions of industrial noise. Vest. otorin. (MIRA 1683)  
no.4837-43 '62.

1. Iz Leningradskogo nauchno-issledovatel'skogo instituta ukha, gorla, nosa i rechi (dir. - prof. I.A. Lopotko, nauchnyy rukovoditel' - Geroy Sotsialisticheskogo Truda deystvitel'nyy chlen AMN SSSR prof. V.I. Voyachek).  
(NOISE) (AUDIOMETER) (HEARING)

LOPOTKO, I.A., professor; ROMM, S.Z., starshiy nauchnyy sotrudnik

Scientific conference of the Leningrad Scientific Research Institute  
of Ear, Nose, Throat, and Speech Diseases on the problem of tonsils.  
Vest. oto-rin. 18 no.4:82-87 J1-Ag '56. (MLRA 9:9)

(TONSILS--DISEASES)

*ROMM, I.I.*  
VEBER, V.V., professor; GORSKAYA, A.I.; YEGOROV, Ye.N.; MANUCHAROVA, Ye.A.;  
MESSINEVA, M.A.; RADCHENKO, O.A.; REMEZOVA, T.S.; ~~ROMM, I.I.~~  
SAVICH, V.G.; SKADOVSKIY, S.N.; UL'M, V.A.; FOXINA, N.I.; FORSH, T.B.;  
SHABAROVA, N.T.; SHCHAPOVA, T.F.; EBERZIN, A.G.; YURKEVICH, I.A.

Results of the comprehensive study of contemporary analogues of oil-  
bearing facies. Trudy VNIGNI no.2:111-121 '51. (MLRA 10:4)  
(Petroleum geology)

SHVANG, L. I.; ROMI, I. Ya.

Menstruation

Electroencephalographic modifications in dysmenorrhea, Akush. i gin.  
No. 1, 1953

Monthly List of Russian Accessions, Library of Congress, June 1953. Uncl.



ROMM, L.I.

2

27  
 ✓ Distribution of vanadium in littoral organic matter and contemporary marine sediments. L. I. Romm. *Nakoplenie i Preobrazovanie Org. Veshchestv v Sovremen. Morskikh Osadkakh, Vsesoyuz. Nauch.-Issledovatel. Geol.-Razvedoch. Inst.* 1956, 161-7. — Generally increasing V content is found with increase of clay component in the sediment and decrease in sand component. *Ruppia* is devoid of V, *Zostera* contains  $0.35 \times 10^{-3}$ %, *Cladophora* contains  $1.94 \times 10^{-4}$ %. Diatoms are devoid of V. Blue-green algae (*Microcoleus*, *Phormidium*) contain most V.  $2.58 - 3.85 \times 10^{-4}$ %. Most of the V content of the deposits is of terrigenous origin, and a smaller part is of biol. origin. G. M. Kosolapoff

L

ya  
MT

ROMM, M., kinorezhiser, narodnyy artist SSSR, laureat Stalinskoy premii.

"Admiral Ushakov." Kinomechanik no.6:7 Ja '53.

(Kl. 6:8)

(Moving-picture plays)

ROMM, M., rezhisser, narodnyy artist SSSR, laureat Stalinskoy premii.

"The ships are storming the bastions." Kinomekhanik no.11:46-48 N '53.  
(MIRA 6:11)  
(Moving-picture plays)

KRYUCHKOV, Aleksey Petrovich; ROMM, N.B., red.

[Synthetic rubbers of regular structure] Sinteticheskie  
kauchuki reguliarnogo stroeniia. Moskva, Ob-vo "Znanie"  
RSFSR, 1964. 31 p. (MIRA 18:3)

ROMM, P.S.

Organizing work training for students in the ninth and tenth grades.  
Politekh.obuch. no.10:35-39 0 '58. (MIRA 11:11)

1. Iz opyta raboty sredney shkoly No.35 g. Voronezha.  
(Voronezh--Vocational education) (Field work(Educational method))

ROMM; P.S.

GABBAR, Mikhail Ivanovich; ROMM, P.S., red.; ZAZUL'SKAYA, V.F., tekhn. red.

[Plastics in the national economy] Plasticheskie massy v narodnom  
khoziaistve. Moskva, Gos. nauchno-tekhn. izd-vo khim. lit-ry, 1958.  
66 p. (MIRA 11:7)

(Plastica)

DZHAGATSPANYAN, Rafael' Vachaganovich; ROMM, Rudol'f Filippovich;  
TATOCHEENKO, Lev Kirillovich; FINKEL', E.E., red.; KUGAN, V.V.,  
tekhn. red.

[Application of radioisotopes to the control of chemical proces-  
ses]Primenenie radioaktivnykh izotopov dlia kontrolya khimiche-  
skikh protsessov. Moskva, Goskhimizdat, 1963. 343 p.  
(MIRA 16:3)

(Radioisotopes--Industrial applications)  
(Automatic control)

SERGEYEV, Ye.V.; ROMT, R.F.

Continuous DDT production process and its automation. Zhur. VIKO  
5 no. 3:31E-324 '60. (Lit. 14:2)  
(DDT (Insecticide))



137

Romm, R.F.

PHASE I BOOK EXPLOITATION

SOV/5486

Vsenoyuznoye soveshchaniye po vnedreniyu radioaktivnykh izotopov i yadernykh izlucheniyy v narodnoye khozyaystvo SSSR. Riga, 1960.

Radioaktivnyye izotopy i yadernyye izlucheniya v narodnom khozyaystve SSSR; trudy soveshchaniya v 4 tomakh. t. 1: Obshchiye voprosy primeneniya izotopov, pribory s istochnikami radioaktivnykh izlucheniyy, radiatsionnaya khimiya, khimicheskaya i neftepererabatyvayushchaya promyshlennost' (Radioactive Isotopes and Nuclear Radiations in the National Economy of the USSR; Transactions of the Symposium in 4 Volumes. v. 1: General Problems in the Utilization of Isotopes; Instruments With Sources of Radioactive Radiation; Radiation Chemistry; the Chemical and Petroleum-Refining Industry) Moscow, Gostoptekhizdat, 1961. 340 p. 4,140 copies printed.

Sponsoring Agency: Gosudarstvennyy nauchno-tekhnicheskyy komitet Soveta Ministrov SSSR, and Gosudarstvennyy komitet Soveta Ministrov SSSR po ispol'zovaniyu atomnoy energii.

Ed. (Title page): N.A. Petrov, L.I. Petrenko and P.S. Savitskiy; Eds. of this Vol.: L.I. Petrenko, P.S. Savitskiy, V.I. Sinitsin, Ya. M. Kolotyrlin, N.P. Syrkus and R.F. Romm; Executive Eds.: Ye. S. Levina and B. F. Titkaya; Tech. Ed.: E.A. Mukhina.

Card 1/12

Radioactive Isotopes (Cont.)

137  
SOV/5486

**PURPOSE:** The book is intended for technical personnel concerned with problems of application of radioactive isotopes and nuclear radiation in all branches of the Soviet economy.

**COVERAGE:** An All-Union Conference on problems in the introduction of radioactive isotopes and nuclear radiation into the national economy of the Soviet Union took place in Riga on 12-16 April 1960. The Conference was sponsored by: the Gosudarstvennyy nauchno-tekhnicheskiy komitet Soveta Ministrov SSSR (State Scientific and Technical Committee of the Council of Ministers, USSR); Glavnoye upravleniye po ispol'zovaniyu atomnoy energii pri Sovete Ministrov SSSR (Main Administration for the Utilization of Atomic Energy of the Council of Ministers, USSR); Academy of Sciences, USSR; Gosplan USSR; Gosudarstvennyy komitet Soveta Ministrov SSSR po avtomatizatsii i mashinostroyeniyu (State Committee of the Council of Ministers, USSR, for Automation and Machine Building) and the Council of Ministers of the Latvian SSR. The transactions of this Conference are published in four volumes. Volume I contains articles on the following subjects: the general problems of the Conference topics; the state and prospects of development of radiation chemistry; and results and prospects of applying radioactive isotopes and nuclear radiation in the petroleum refining and chemical industries. Problems of designing and manufacturing instruments which contain sources of radioactive radiation and are used for checking and automation of technological processes are examined, along with problems of accident prevention in their use. No personalities are mentioned. References accompany some of the articles.

Card-2/12

Radioactive Isotopes (Cont.)

SOV/5486

Romm, R.F. Application of Radioactive Isotopes for Checking  
Chemical Processes

302

Shelyubskiy, V.I. Checking the Homogeneity of the Charge by  
[Its] Natural Radioactivity

313

Veksler, M.A. Prospect of Implementation of Certain Level  
Indicators and [Other] Indicators Utilizing Radioactive  
Radiation in the Organic Synthesis Industry

318

Zaslavskiy, Yu. S., and G.I. Shor. Radioindicating Checking of  
Operational Properties of Admixtures to Oils

329

AVAILABLE: Library of Congress

Card ~~12/12~~

JP/dfk/mas  
9-13-61

PETROV, N.A., red.; PETRENKO, L.I., red.; SAVITSKIY, P.S., red.; SINITSIN,  
V.I., red.; KOLOTYRKIN, Ye.M., red.; SYRKUS, N.P., red.; ~~ROMM~~  
R.F., red.; ANTYASHEV, P.I., red.; VARTAZAROV, S.Ye., red.;  
~~ZAITSEV, A.I., red.; ZEZYULINSKIY, V.M., red.; ZEDGINIDZE, G.A.,~~  
red.; MARTYNKIN, F.F., red.; ROGACHEV, V.I., red.; SLATINSKIY,  
A.N., red.; LEVINA, Ye.S., vedushchiy red.; TITSKAYA, B.F.,  
vedushchiy red.; PERSHINA, Ye.G., vedushchiy red.; IONEL', A.G.,  
vedushchiy red.; ZARETSKAYA, A.I., vedushchiy red.; MUKHINA, E.A.,  
tekh.n.red.

[Transactions of the Conference on the Introduction of Radioactive  
Isotopes and Nuclear Radiation into the National Economy of the  
U.S.S.R.] Trudy Vsesoiuznogo soveshchaniia po vnedreniiu radio-  
aktivnykh izotopov i iadernykh izlucheni v narodnoe khoziaistvo  
SSSR. Pod red. N.A.Petrova, L.I.Petrenko i P.S.Savitskogo.  
Moskva, Gos.nauchno-tekh.izd-vo nef. i gorno-toplivnoi lit-ry.  
Vol.1. [General aspects of isotope applications. Instruments  
with sources of radioactive radiation. Radiation chemistry.  
Chemical and petroleum refining industry]

(Continued on next card)

PETROV, N.A.---(continued) Card 2.

Obshchie voprosy primeneniia izotopov. Pribory s istochnikami radioaktivnykh izlucheni. Radiatsionnaia khimia. Khimicheskaiia i neftepererabatyvaiushchaia promyshlennost'. 1961. 340 p. Vol.2. [Construction and the industry of construction materials. Light industry. Food industry and agriculture. Medicine] Stroitel'stvo i promyshlennost' stroitel'nykh materialov. Legkaia promyshlennost'. Pishchevaia promyshlennost' i sel'skoe khoziaistvo. Meditsina. 1961. 267 p.

(MIRA 14:4)

1. Vsesoyuznoye soveshchaniye po vnedreniyu radioaktivnykh izotopov i yadernykh izlucheni v narodnoye khozyaystvo SSSR. Riga, 1960.

(Radioisotopes)

(Radiation)

S/081/62/000/001/028/067  
B151/β101

AUTHOR: Romm, R. F.

TITLE: Application of radioactive isotopes to the control of  
chemical processes

PERIODICAL: Referativnyy zhurnal. Khimiya, no. 1, 1962, 303,  
abstract 1I156 (Sb. "Radioakt. izotopy i yadern.  
izlucheniya v nar. kh-ve SSSR. v. 1". M., Gostoptekhizdat,  
1961, 302-312)

TEXT: 1 Examples are given of the use of equipments with radioactive sources  
for regulating the density of the product in extraction columns; the  
concentration of the solid particles in pseudo-liquefied systems; for the  
measurement of the density and level of liquids in the production and  
drying of chlorine; for automatic regulation and control of the chlorination  
of alcohol for the production of DDT; for automation of crystallization  
and chlorination of kerosene in the production of sulphonol etc.  
[Abstracter's note: Complete translation.] ✓

Card 1/1

AUTHORS: Romm, R.F., Teper, M.Ye.

119-58-6-11/13

TITLE: The Measuring of the Level of Liquid Chlorine by Means of the Radioactive Apparatus UR -4 (Izmereniye urovnya zhidkogo khloro radioaktivnym priborom UR -4)

PERIODICAL: Priborostroyeniye, 1958, Nr 6, pp. 29-30 (USSR)

ABSTRACT: By means of the apparatus UR -4, which has already previously been described, the problem was solved as to whether it is possible to measure the height of the level in lying cylinders (cisterns). Experiments were carried out by means of 2 apparatus, one of them having a length of 1, and the other of 2 meters, with a cistern having a diameter of 1.45 m.

- 1.) It was found to be possible to carry out measurements in the case of a lying cylinder, i.e. along its diameter.
- 2.) Measuring accuracy satisfies the demands made. Satisfactory agreement could be attained between results obtained experimentally and by calculation of errors.

There are 2 figures, and 6 references, 6 of which are Soviet.

1. Liquid level gages---Design Applications
2. Radioactive substances---

Card 1/1

ALMAZOV, V.A.; SHCHUKIN, V.B.; ROMM, R.S.

Detection of the leucopoietic activity of blood plasma in  
diseases of the blood system. Lab. delo no.3:160-165 '65.

(MIRA 18:3)

1. Kafedra fakul'tetskoy terapii (zaveduyushchiy - prof. T.S.  
Istmanova) I Leningradskogo meditsinskogo instituta im. I.P.  
Pavlova.



ZHIRYAKOV, Viktor Georgiyevich; ROMM, R.S., red.

[Organic chemistry] Organicheskaiia khimiia. Moskva, Khimiia, 1965. 423 p. (MIRA 18:9)

KHRULEV, Mikhail Valer'yanovich. Prinimal uchastiye TKACHENKO, G.VV,  
kand. khim. nauk; BAGATUR'YANTS, K.G., red.; ROMM, R.S.,  
red.

[Polyvinyl chloride] Polivinilkhlorid. Moskva, Izd-vo  
"Khimia," 1964. 262 p. (MIRA 17:8)

RYABENKO, A.Ya., glavnyy red.; VINOGRADOV, A.P., red.; VOL'FKOVICH, S.I., red.; ZHAVORONKOV, N.M., red.; IVANOV, M.I., red.; KISELEV, V.S., red.; LUNACHARSKAYA, I.A., red.; MEDVEDEV, S.S., red.; MEL'NIK, B.D., red.; PLANOVSKIY, A.N., red.; TOPCHIYEV, A.V., red.; ROMM, R.S., red.; POGUDKIN, P.V., tekhn.red.

[Chemical industry of the U.S.S.R.] Khimicheskaya promyshlennost' SSSR. Moskva, Gos.nauchno-tekhn.izd-vo khim.lit-ry, 1959. 457 p. (MIRA 13:4)

1. Russia (1923- U.S.S.R.) Gosudarstvennyy nauchno-tekhnicheskii komitet.

(Chemical industries)

BEREZIN, Boris Ivanovich; ROMM, R.S., red.; SHPAK, Ye.G., tekhn. red.

[Printing inks] Pechatnye kraski. Moskva, Gos. nauchno-tekhn.  
izd-vo khim. lit-ry, 1961. 215 p. (MIRA 14:11)  
(Printing ink)

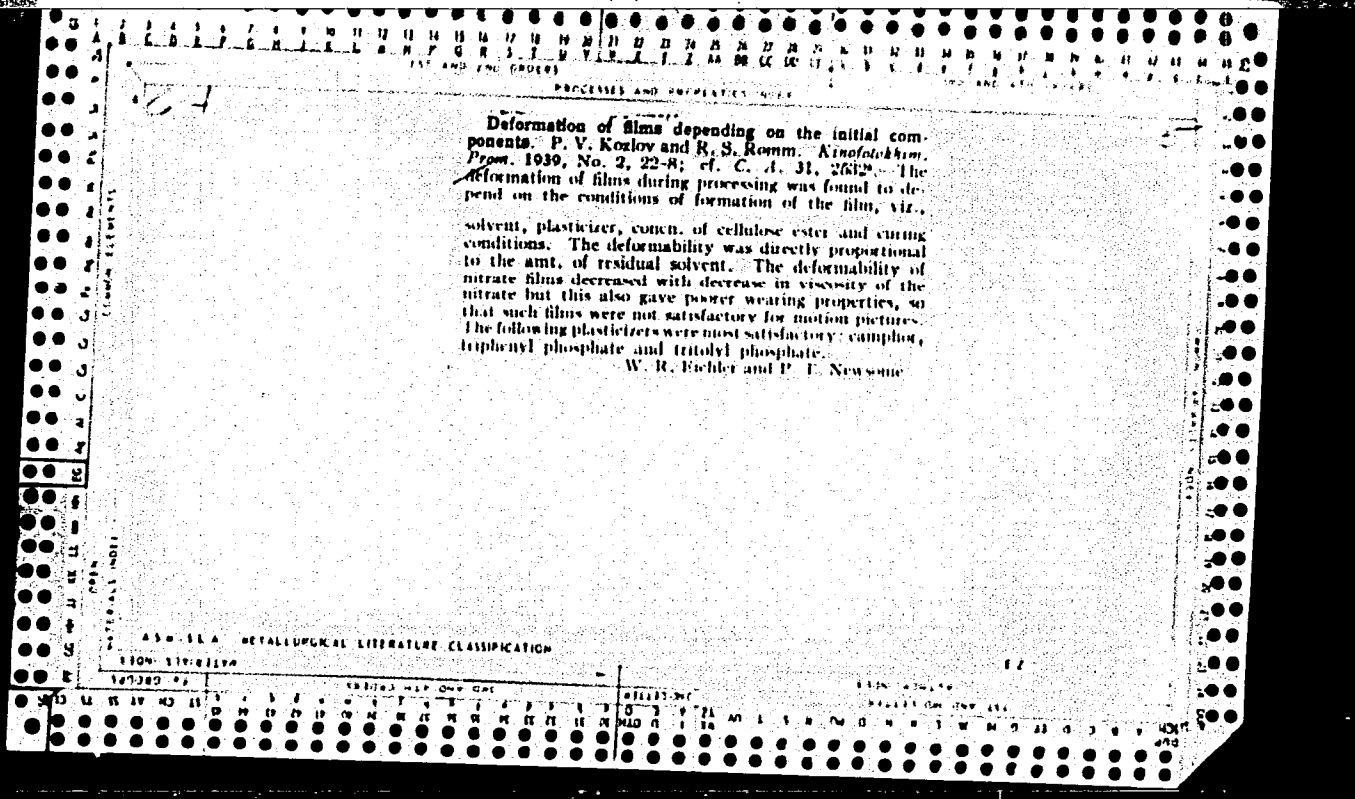
CHICHIBABIN, A.Ye.; SERGEYEV, P.G., professor, redaktor; LIBERMAN, A.L.,  
redaktor; ROMM, R.S., redaktor; LUR'YE, M.S., tekhnicheskii  
redaktor

[Basic principles of organic chemistry] Osnovnye nachala organiche-  
skoi khimii. Izd. 6., (stereotipnoe). Pod red. P.G.Sergeeva, Moskva,  
Gos. nauchno-tekhn. izd-vo khim. lit-ry. Vol. 1. 1954. 795 p.  
(Chemistry, Organic) (MLRA 7:10)

B

*Romm, R. S.*  
GHICHIBABIN, Aleksey Yevgen'yevich; SERGEYEV, P.G., red. [deceased];  
LIBERMAN, A.L., red.; ROMM, R.S., red.; LUR'YE, M.S., tekhn.red.

[Elements of organic chemistry] Osnovnye nachala organicheskoi  
khimii. Izd. 5-oe, perer. i dop. Pod red. P.G.Sergeyeva. Moskva,  
Gos.nauchno-tekhn.izd-vo khim. lit-ry. Vol.2. 1957. 767 p.  
(Chemistry, Organic) (MIRA 11:2)



ROMM, Samuil Zusmanovich, kand. med. nauk; NEYMAN, M.I., red.

[Noise-caused trauma of the ear] Shumovaia travma ukha.  
Moskva, Meditsina, 1964. 36 p. (MIRA 17:12)



LOPOTKO, I.A., prof., GRINBERG, G.I., doktor med.nauk, LAKOTKINA, O.Yu.  
~~ROMM, S.Z., kand.med.nauk, BELKINA, N.P., kandmed nauk.,~~  
ZLOTNIKOV, S.A., kand.med.nauk (Leningrad).

Principal accomplishments of the Fifth Congress of Ophthalmologists  
of the U.S.S.R., July 7-12, 1958. Vest. oto-rin. 21 no. 1:5-61 Ja-F'59  
(OTORHINOLARYNGOLOGY) (MIRA 12:1)

ARKHIPOVA, L.I.; BARABANSHCHIKOV, V.V.; BAKHVALOVA, Z.M.;  
BOROVINSKAYA, M.A. GOLOVCHINER, I.Ye.; DZHANGAROVA, P.G.;  
YEVDOKIMOV, S.V.; KABANOV, M.M.; KNYAZEVA, T.D.; KOBOZEVA,  
N.V.; KOLEGOV, N.I.; LOPOTKO, I.A.; NEGUREY, A.P.;  
POLYAKOVA, Z.P.; ROMM, S.Z.; SVETLICHNYI, V.A.; STRAKUN,  
I.M. TYAGUN, V.N.; FREYDLIN, S.Ya., prof.

[Dispensary service for the urban population] Dispanseriza-  
tsiia gorodskogo naseleniia. Leningrad, Meditsina. 1964.  
349 p. (MIRA 17:8)

ROMM, Samuil Zusmanovich; VAYNSHTEYN, Aleksandr Markovich;  
LUR'YE, N.A., red.; LEBEDEVA, G.T., tekhn. red.

[Take care of your hearing] Beregite slukh. Leningrad,  
Medgiz, 1963. 40 p. (MIRA 16:11)  
(DEAFNESS)

LOPOTKO, I.A.; UNDRITS, V.F.; PREEBRAZHENSKIY, B.S.; KHILOV, K.L.; LIKHACHEV,  
A.G.; SENDUL'SKIY, I.Ya.; MIL'SHTEYN, T.N.; GRINBERG, G.I.; ROMM, S.Z.

Basic problems in Soviet otorhinolaryngology; on the 1960 working  
plan for research in the Academy of Medical Sciences of the U.S.S.R.  
Vest.otorin. 21 no.5:3-14 S-0 '59. (MIRA 13:1)  
(OTORHINOLARYNGOLOGY)

ROMM, S.Z.

UNDRITS, V.F.; ROMM, S.Z.

Report on the work of the Leningrad division of the All-Union  
Scientific Society of Otolaryngologists for 1953. Vest. oto-  
rin. 16 no.3:89-93 My-Je '54. (MIRA 7:7)  
(LENINGRAD--OTOLARYNGOLOGY)  
(OTOLARYNGOLOGY--LENINGRAD)

ROMM, Samuil Zusmanovich; IVANOV, N.I., red.; KHARASH, G.A., tekhn.  
red.

[Prevention of anginas]Profilaktika angin. Leningrad, Medgiz,  
1962. 90 p. (MIRA 15:8)  
(TONSILS--DISEASES)

LOPOTKO, I.A.; UNDRITS, V.F.; PREOBRAZHENSKIY, B.S.; KHILOV, K.L.;  
SENDUL'SKIY, I.Ya.; LIKHACHEV, A.G.; MIL'SHTEYN, T.N.;  
GRINBERG, G.I.; ROMM, S.Z. (Leningrad - Moskva)

Most important problems in Soviet otorhinolaryngology; on the  
research plan for the field of otorhinolaryngology during 1961-  
1962, according to the Academy of Medical Sciences of the U.S.S.R.  
Vest.otorin. 22 no.5:3-24 9-0 '60. (MIRA 13:11)  
(OTOLARYGNOLOGY)

KRITS, B.O., inzh.; PIGOTT, S.G., inzh.; ROMM, V.S., inzh.

Using computing equipment in accounting and planning in an  
industrial enterprise. Mekh.i avtom.proizv. 17 no.9:17-20  
S '63. (MIRA 16:10)



SARKISYAN, S.; SMEKHOV, Ye.; ROMM, Ye.

"Oil and gas reservoirs in fields of the U.S.S.R." by A.A.Khanin.  
Reviewed by S.Sarkisian, E.Smekhov, E.Romm. Geol.nefti i gaza  
7 no.2:61-62 F '63. (MIRA 16:2)  
(Petroleum geology) (Gas, Natural—Geology)  
(Khanin, A.A.)

ROMM, Ye.S.

Connection between the parameters of fracturing in rocks and their  
reservoir and flow properties. Trudy VNIGRI no.193:141-147 '62.

(MIRA 15:12)

(Oil sands--Permeability)

ROMM, Ye.S.

Study of the fluid flow in fractured rocks in connection  
with their reservoir properties. Trudy VNIGRI no.121:217-  
243 '58. (MIRA 16:11)

POZINENKO, B.V.; RUM, Ye.S.

Determining the anisotropy parameters of the Pomyarki experimental  
section of the Borislav oil field. Trudy VNIIGRI no.228:173-179 '64  
(MIRA 17:8)

RCM, Ye.S.

Water flooding of oil from fractured and porous reservoir rocks.  
Trudy VIKGAL no. 2332197-159 161 (MIRA 17:8)

SNEKHOV, Ye.M.; ROMAN, Ye.S.

Determining fractured porosity (fracture factor). VNIIGRI  
no.228:285-288 '64 (MIRA 17:3)

SMEKHOV, Ye. M., prof.; BULACH, M.Kh., kand. geol.-mineral. nauk;  
ROMM, Ye.S.; GORYUNOV, I.I.; GMID, L.P.; GROMOV, V.K.;  
DOROFYEVA, T.V.; KNORING, L.D.; KALACHEVA, V.N.; TATARINOV,  
I.V.; KLEYNOSOV, Yu.F.; KAPLAN, M.Ye.; ZVONITSKAYA, I.V.;  
MAZURKEVICH, Z.I.; DRYABINA, N.N.; RUSAKOVA, L.Ya., vedushchiy  
red.; BARANOVA, L.G., tekhn. red.

[Methodological text on the study of the fracturing of rocks  
and fractured oil and gas reservoirs]. Metodicheskoe posobie  
po izucheniiu treshchinovatosti gornyykh porod i treshchinnykh  
kollektorov nefti i gaza. Leningrad, Gostoptekhizdat, 1962.  
76 p. (Leningrad. Vsesoyuznyi neftianoi nauchno-issledovatel'-  
skii geologorazvedochnyi institut. Trudy, no.201).

(MIRA 16:4)

(Joints(Geology)) (Oil sands)

SMEKHOV, Ye.M.; GMD, L.P.; ROMASHOVA, M.G.; ROMM, Ye.S.

Methods of studying fractured rocks in connection with their  
reservoir properties. Trudy VNIGRI no.121:7-66 '58.  
(MIRA 16:11)



ROMM, Ye. S., Cand of Tech Sci-- (diss) "Problems of the Filtration of Liquids  
and Gases in Fissured Mountain Rocks," Moscow, Leningrad, 1959, 20 pp  
(All-Union Scientific Research Institute for Oil and Gas. All-Union Scientific  
Research Petroleum Institute for Geological Prospecting) (KL, 7-60, 108)

ROMM, Ye.S.

Method of studying the reservoir properties of fractured rocks.  
Trudy VNIGRI no.165:5-28 '61. (MIRA 14:8)  
(Oil sands--Permeability)  
(Joints (Geology))

SMEKHOV, Ye.M.; GMID, L.P.; ROMASHOVA, M.G.; ROMM, Ye.S.; KALACHEVA, V.N.;  
DOROFYEVA, T.V.; GROMOV, V.K.

Method for studying fractured rocks and their reservoir pro-  
perties. Geol.nefti 2 no.3:37-45 Mr '58. (MIRA 12:6)

1. Vsesoyuznyy neftyanoy nauchno-issledovatel'skiy geologo-razvedoch-  
nyy institut.

(Rocks--Permeability)

*a* L 9787-66  
 ACC NR: AP5028476  
 SOURCE CODE: UR/0286/65/000/020/0058/0058  
 AUTHORS: <sup>114 55</sup> Romman, Yu. R.; <sup>44 55</sup> Biryukov, P. F.; <sup>44 55</sup> Troshkin, V. I. 30  
B  
 ORG: none  
 TITLE: Loading and unloading rig for trucks. Class 35, No. 175628  
 SOURCE: Byulleten' izobreteniy i tovarnykh znakov, no. 20, 1965, 58  
 TOPIC TAGS: material handling, hydraulic device, pump  
 ABSTRACT: This Author Certificate presents a loading-unloading rig for trucks <sup>44 55</sup> as per Author Certificate No. 127796. To perform the loading-unloading operations, a hydraulic roller-type winch located under the truck platform is used (see Fig. 1). This winch is powered by a hydraulic system with a pump driven by the engine

Card 1/2

UDC: 629.114.4:621.869.462-875.56  
2

L 9787-66

ACC NR: AP5028476

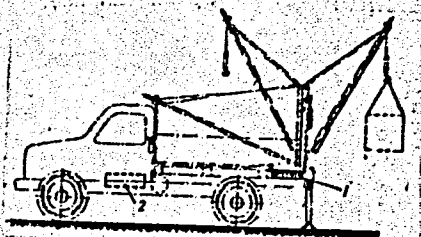


Fig. 1. 1 - Hydraulic roller winch; 2 - hydraulic system.

drive shaft. Orig. art. has: 1 figure.

SUB CODE: 13/

SUBM DATE: 23Aug62

*BC*  
Card 2/2

ROMMAN, Yu.R.

Loading and unloading device with a gantry swinging trolley attached to the GAZ-51 truck. Suggested by I.U.R. Romman. Rats. i izobr. predl. (MIRA 13:9)  
v stroi. no. 15:51-52 '60.

1. Po materialam tresta Metallurgmontazh Ministerstva stroitel'stva USSR.

(Loading and unloading)

ROMEL, H.

History of length measurements.

P. 3 (METROLOGIA APLICATA) (Bucuresti, Rumania) No. 4, Apr. 1957

SO: Monthly Index of East European Accessions (EEAI) LC Vol. 7, No. 5. 1958

LUKACS, V.Ferenc, dr.; ROMNANYI, Jozsef, dr.

Experience with the treatment of blood group incompatibility in newborn infants. Gyermekgyógyászat 11 no.3:65-72 Mr '60.

1. A Budapesti Orvostudományi Egyetem I. sz. Gyermekklinikájának (Igazgató: Dr. Gegesi Kiss Pál egyetemi tanár, akadémikus) közleménye.

(ERYTHROBLASTOSIS FETAL ther)  
(BLOOD TRANSFUSION)



RCINOVA, Ye. N.

"Influence of Forest Belts Upon Turbulent Exchange and  
Vertical Structure of Winds." Cand Geog Sci, Main Geophysical  
Observatory Leningrad 1954. (RZhGeol, Sep 54)

SO: Sum 432, 29 Mar 55

SMEKHOV, Ye.M., prof., doktor geol.-mineral. nauk; BULACH, M.Kh.;  
ROMM, Ye.S.; POZINENKO, B.V.; GORYUNOV, I.I.; KNORING, L.D.;  
GMID, L.P.; GROMOV, V.K.; KUZNETSOV, Yu.I.; DOROFYEVA, T.V.;  
KALACHEVA, V.N.; KLEYNOSOV, Yu.F.; TATARINOV, I.V.;  
IONINA, I.N., vedushchiy red.; YASHCHURZHINSKAYA, A.B.,  
tekhn. red.

[Combined investigations of fractured reservoirs and  
experience in estimating the petroleum reserves contained  
therein.] Kompleksnye issledovaniia treschinnykh kollektorov  
i opyt podscheta v nikh zapasov nefi. Leningrad, Gostop-  
tekhizdat, 1963. 198 p. (Leningrad. Vsesoiuznyi nefianoi  
nauchno-issledovatel'skii geologorazvedochnyi institut.  
Trudy, no.214) (MIRA 17:1)

ROMM, Ye.S. (Leningrad); POZINENKO, B.V. (Leningrad)

Permeability of anisotropic fissured rocks. Inzh. zhur. 3  
no.2:381-386 '63. (MIRA 16:6)

(Rocks—Permeability)

ROMM, Ye. S., V. N. KALACHEVA, T. V. DOROFYEVA, L. P. GMLD, M. G. ROMASHOVA  
Ye. M. SMERKHOV

"Fissile Rocks and Their Storing Properties." p. 95

Geologicheskii sbornik, 3, (Collection of Articles in Geology, Vol. 3),  
Leningrad Gostoptekhizdat, 1958, 47pp. (Trudy, vyp 126, Vsesoyuznyy neftyanoy  
nauchno-issledovatel'skiy geologorazvedochnyy institut)

VINES, Ioan, ing.; ROMOCEA, Iuliu

A strange understanding of cooperation! Constr Buc 16 no.737:  
3 22 F'64.

1. Directorul Trustului regional Gospodariile de Stat, Crisana (for Vines).

GOTTSEGEN, G.; ROMODA, T.

Haemodynamic patterns of constrictive pericarditis and diffuse myocardial fibrosis. Cor Vasa 6 no.3:194-202 '64.

1. Fourth Medical Department, Budapest University Medical School,  
Hungarian Institute of Cardiology, Budapest.

ROMODA, Tibor, dr.; ISTVANFFY, Maria, dr.

The significance of intracardial ECG in the diagnosis of pulmonary stenosis. Orv. hetil. 104 no. 29:1367-1370 J1 '63.

1. Budapesti Orvostudományi Egyetem, IV. Belklinika és  
Országos Kardiológiai Intézet.  
(PULMONARY STENOSIS) (ELECTROCARDIOGRAPHY)

GOTTSEGEN, G.; ROMODA, T.

Unusual auricular arrhythmia caused by heart catheterization. Cor  
vasa 4 no.3:204-211 '62.

I. IV. Medizinische Universitätsklinik and Ungarisches Institut für  
Kardiologie, Budapest.  
(ARRHYTHMIA etiology) (HEART CATHETERIZATION complications)



EXCERPTA MEDICA Sec 2 Vol 13/5 Physiology May 60

2544. THE EFFECT OF PROCAINE ON HAEMODYNAMICS - Gottsegen G.,  
Itanoda T. and Matheides P. Nat. Inst. of Cardiol., Budapest -  
ACTA CARDIOL. (Brux.) 1959, 14/2 (149-157) Tables 3  
Haemodynamic investigations performed on 53 cardiac patients revealed decrease  
of right ventricular and pulmonary artery pressures, arterial and total pulmonary  
resistances and right ventricular work following i.v. injection of procaine. These  
effects were induced only in cases with pulmonary hypertension, elevated resistance  
and increased ventricular work. Drop of the cardiac output was observed in only  
one fifth of the cases with high initial values. Systemic pressures and resistances  
were not affected by procaine.

CARDIOLOGY

HUNGARY

GOTTSEGEN, Gyorgy, Dr, ROMODA, Tibor, Dr, SZAM, Istvan, Dr, ZABORSZKY, Bela, Dr, CSAKANY, Gyorgy, Dr; Medical University of Budapest, IV. Medical Clinic (Budapesti Orvostudományi Egyetem, IV. Belklinika), and National Institute of Cardiology (director: GOTTSEGEN, Gyorgy, Dr) (Országos Kardiológiai Intézet).

"Some Lesser Known Forms of Cardiac Infarct."

Budapest, Orvosi Hetilap, Vol 107, No 36, 4 Sep 66, pages 1688-1692.

Abstract: [Authors' Hungarian summary] Some cases of cardiac infarct involving an unusual etiology or course and diagnosed in the living patient are described. In one case, the origin of the left coronary artery from the pulmonary artery led to necrosis of the myocardium. In two patients, heart catheterization of the right side led to the confirmation of an existing rupture of the ventricular septum; one of them is still alive, 10 years later, in a relatively compensated state. In one case, mitral insufficiency originating from a papillary muscle infarct was successfully diagnosed with the help of phonocardiogram, EKG and radiokinematography. 10 Hungarian, 33 Western references.

1/1

HUNGARY

ROMODA, Tibor, Dr., ISTVANFFY, Maria, Dr.; Medical University of Budapest, IV. Medical Clinic and National Cardiological Institute (Budapesti Orvostudományi Egyetem, IV. Belklinika es Orszagos Kardiologiai Intezet).

"The Significance of Intracardial EKG in the Diagnosis of Pulmonary Stenosis."

Budapest, Orvosi Hetilap, Vol 104, No 29, 21 July 1963, pp 1367-1370.

Abstract: [Authors' Hungarian summary] Evaluation of the intracardial EKG, along with the pressure graph, are the most suitable techniques for the differential diagnosis of valvular and infundibular stenoses. The diagnosis can be made with certainty, without the use of angiocardiology. 39 Western, 3 Hungarian references.

p/1

*Romoda, T.*

GOTTSEGEN, G.; ROMODA, T.

Lasting results of internal treatment in hyperthyreosis. Orv. hetil.  
93 no. 15:441-444 13 Apr 1952. (GLML 23:3)

1. Doctors. 2. First Internal Department (Head Physician -- Prof.  
Dr. Gyorgy Gottsegen), Tetenyi-uti Hospital. 3. Use of methylouracil.

GOTTSEGEN, Gyorgy; MATHEIDES, Pal; ROMODA, Tibor

Pressure in the pulmonary circulation and thoracic space in heart diseases. *Magy. belorv. arch.* 10 no.5-6:148-155 Oct-Dec 57.

1. A Fovarosí Istvan Korház (igazgató: Kotona Istvan) III Bólsztelyának és Kardiopulmonális Laboratóriumának (főorvos: Tóó Gottsegen, György) közleménye.

(HEART DISEASES, physiol.

blood pressure in pulm. circ. & thoracic vessels (Hun))

(BLOOD PRESSURE, in various dis.

heart dis., pressure in pulm. circ. & thoracic vessels (Hun))

GOTTSEGEN, G.; ROMODA, T.; BARTOK, I.A.

The effect of morphine on respiration and oxygen consumption in heart disease. Acta med. hung. 6 no.3-4:355-366 1954.

1. From the third Medical Service, Municipal "Istva" Hospital and Department of Postgraduate Surgery, University Medical School, Budapest.

(MORPHINE, eff.

on resp. & oxygen consumption in heart dis.)

(RESPIRATION, eff. of drugs on morphine in heart dis.)

(HEART DISEASE, metab. in

oxygen consumption, eff. of morphine)

(METABOLISM

oxygen consumption in heart dis., eff. of morphine)

Romoda, T.

Med

The effect of procaine on ventilation, oxygen consumption, and permeability. G. Gottsegen, K. Koben, and T. Romoda (István Hosp., Budapest). *Acta Med. Scand.* 154: 73-82(1956); cf. Földi, et al., *Acta Med. Hungary* 7: 345 (1955).—Following intravenous injection of procaine in patients with heart failure there were increases of minute ventilation, tidal vol., and intrathoracic pressures, and reduction of elevated O consumption. The ventilatory effect is mediated in part by sensitized chemoreceptors of the glomus caroticum and aorta. Increased permeability of endothelial and other cells is reduced by procaine. All of these effects tend to counteract the diverse functional disturbances leading to pulmonary edema. 60 references. Rachel Brown

3

Romoda, T

HUNGARY / General Problems of Pathology. Allergy. U

Abs Jour : Ref. Zhur - Biologiya, No. 3, 1959, 13502

Author : Gottsegen, Gyorgy; Medgyes, Arpad; Romoda,  
Tibor

Inst : -

Title : On Asthmatic Disorders of Respiration.

Orig Pub : Magyar belcerv. arch. 1957, 10, No. 2-3, 56-62

Abstract : No abstract.

Card 1/1

13



CSAKANY, Gyorgy, dr.; KOCZKAS, Gyula, dr.; ROMODA, Tibor, dr.

Radiation protection in heart catheterization. Orv.hetil. 101  
no.4:121-123 Ja '60.

1. Orszagos Rontgen- es Sugarfizikai Intezet es Orszagos  
Kardiologiai Intezet.

(HEART CATHETERIZATION compl.)

(HEART radiography)

GOTTSEGEN, Gyogy, Dr.; ROMODA, Tibor, Dr.

Unconsciousness during coughing. Orv. hetil. 99 no.50:1742-1744 14 Dec 58.

1. Az Orszagos Kardiologiai Intezet (igazgato: Gottsegen Gyorgy dr.) kozlemenye.

(EMPHYSEMA, PULMONARY, compl.

tussive syncope, etiol. & pathogen (Hun))

(SYNCOPE, etiol. & pathogen.

tussive syncope in pulm. emphysema (Hun))

(COUGH

tussive syncope in pulm. emphysema, etiol. & pathogen. (Hun))

GOTTSEGEN, Gyorgy, Dr.; CSAKANY, Gyorgy, Dr.; ROMODA, Tibor, Dr.

Bright half-lung on x-ray pictures. Orv. hetil. 100 no.10:361-364 8 Mar 59.

1. Az Orszagos Kardiologiai intezet (igazgato: Gottsegen Gyorgy dr.) kozlemenye.

(LUNGS, radiography

bright half-lung on x-ray pictures, diag. interpretation  
(Hin))

GOTTSEGEN, Gyorgy, dr.; SZAM, Istvan, dr.; ROMODA, Tibor, dr.;  
MATHEIDESZ, Pal, dr.

Pathological data on perforation of ventricular septum. Orv.  
hetil. 98 no.13:327-330 31 May 57.

1. A fovarosi Istvan Korhaz (igazgato: Katona, Istvan, dr.) III.  
Belosztalyanak es Kardiopulmonalis Laboratoriumanak (foorvos:  
Gottsegen, Gyorgy, dr.) kozlomenye.

(CARDIAC SEPTUM, perf.

interventric., in myocardial infarct. case reports (Hun))

(MYOCARDIAL INFARCT, compl.

interventric. septum perf., case report (Hun))

GOTTSEGEN, Gyorgy, dr.; MATHEIDESZ, Pal, dr.; ROMODA, Tibor, dr.

Simultaneous incidence of developmental disorders of the face and the heart. Orv. hetil. 97 no.12:333-335 18 March 56.

1. A Fovarosi Istvan Korhaz (igaz.: Kotona, Istvan dr.) III. Beloszt. es Kardiopulmonalis Laborat. (foorvos: Gottsegen, Gyorgy dr.) kozl.

(FACE, abnorm.

mandibulo-facial dysplasia with cardiac septal defect, etiol. (Hun))

(CARDIOVASCULAR DEFECTS, CONGENITAL

septal defect with mandibulo-facial dysplasia, etiol. (Hun))

(ABNORMALITIES

mandibulo-facial dysplasia with cardiac septal defect, etiol. (Hun))

GOTTSEGEN, Gyorgy; KOHEN, Katalin; ROMODA, Tibor

Procaine effect on ventilation and oxygen consumption in cardiac hypoxia. *Magy. belorv. arch.* 8 no.5:153-157 Oct 55.

1. A Fovarosi Istvan-Korhaz (Igazgato: Vikol, Janos dr.) III. sz. Beloszialyanak (foorvos: Gottsegen, Gyorgy dr.) kozlemenye.

(DYSPNEA

cardiac, eff. of procaine on ventilation & oxygen consumption. (Hun))

(CONGESTIVE HEART FAILURE

dyspnea, eff. of procaine on ventilation & oxygen consumption. (Hun))

(PROCAINE, eff.

on ventilation & oxygen consumption in cardiac dyspnea. (Hun))

ROMODA, Tibor, dr.

Diagnostic difficulties in chronic pericardial effusions. Orv.  
hetil. 102 no.6:266-269 5 F'61.

1. Budapesti Orvostudományi Egyetem, IV. sz. Belgyógyászati Klinika  
és Országos Kardiológiai Intézet.  
(PERICARDITIS diag)

GOTTSEGEN, Gyorgy, dr.; ROMODA, Tibor, dr.

Functional aortic insufficiency. Orv.hetil. 102 no.7:313-317  
12 F'61.

1. Budapesti Orvostudományi Egyetem, IV. sz. Belklinika, Országos  
Kardiológiai Intézet.  
(AORTIC VALVE dis)



GOTTSEGEN, Gyorgy, dr.; ROMODA, Tibor, dr.

Auricular fibrillation with 1:1 AV conduction during cardiac catheterization. Orv.hetil. 102 no.11:502-503 12 Mr '61.

1. Budapesti Orvostudományi Egyetem, IV. sz. Belklinika,  
(AURICULAR FIBRILLATION etiol)  
(HEART CATHETERIZATION compl)

GOTTSEGEN, Gyorgy, dr.; ROMODA, Tibor, dr.

Studies on the treatment of circulatory disorders. III. Clinico-pharmacological evaluation of intramuscular strophanthin derivatives. Orv. hetil. 103 no.14:647-650 Ap '62.

1. Budapesti Orvostudományi Egyetem, IV. Belklinika.

(STROPHANTHIN rel cpds)

GOTTSEGEN, G.; ROMODA, T.

On the effect of intramuscular injections of strophanthosid K. Cor  
vasa 4 no.2:146-153 '62.

1. IV Medizinische Universitätsklinik, Budapest.

(STROPHANTHIN pharmacol)

GOTTSEGEN, Gyorgy, dr.; ROMODA, Tibor, dr.

Auricular tachycardia with block secondary to cardiac catheterization.  
Orv. hetil. 103 no.11:489-491 18 Mr '62.

1. Budapesti Orvostudományi Egyetem, IV Belklinika, Országos Kardi-  
logiai Intézet.

(HEART CATHETERIZATION compl)  
(HEART BLOCK etiol)  
(TACHYCARDIA etiol)