

PROKOPOVICH, Igor' Yevgen'yevich, doktor tekhn.nauk, prof.; SNITKO,
I.K., doktor tekhn.nauk, prof., nauchnyy red.; BORODINA,
I.S., red. izd-va; KOROBEKOVA, N.I., tekhn. red.

[Effect of prolonged operation on stress and deformation in
structures] Vliianie dlitel'nykh protsessov na napriazhennoe
i deformirovannoe sostoiianiia sooruzhenii. Moskva, Gosstroi-
izdat, 1963. 257 p. (MIRA 16:7)
(Strains and stresses)

S/879/62/000/000/080/088
D234/D308

AUTHORS: Prokopovich, I. Ye., Yegupov, V. K. and Pedakhovskiy, I. I.
(Moscow)

TITLE: An approximate method for determining the internal forces
in the hull of ships of shell and fold structure

SOURCE: Teoriya plastin i obolochek; trudy II Vsesoyuznoy konfe-
rentsii, L'vov, 15-21 sentyabrya 1961 g. Kiev, Izd-vo
AN USSR, 1962, 508-512

TEXT: The method is as follows: Internal forces are determined in
the basic central part of the ship, the stressed state of which is
represented as a sum of two different stressed states. The water
pressure is represented by a symmetric curvilinear diagram, later
replaced by a stepped one, and by a diagram consisting of two tri-
angles. Loads are represented as a sum of a constant part and a
cyclically varying, sign-changing part. The forces are determined
using the theory of orthotropic shells by V. Z. Vlasov. The first
stressed state referred to above is that of a system having rigid

Card 1/2

An approximate method ...

S/879/62/000/000/080/088
D234/D308

plates at its ends, the second is that of a thin-walled rod with a constant cross section. Numerical calculations were carried out using this method. Conclusion: The theory of equivalent beam used at present is not suitable for ships of the type mentioned. There are 4 figures.

Card 2/2

S/879/62/000/000/025/088
D234/D308

AUTHOR: Prokopovich, I. Ye. (Odessa)

TITLE: Effect of creep on the stressed and deformed state of pre-stressed shells

SOURCE: Teoriya plastin i obolochek; trudy II Vsesoyuznoy konferentsii, L'vov, 15-21 sentyabrya 1961 g. Kiev, Izd-vo AN USSR, 1962, 181-185

TEXT: Taking a cylindrical shell as an example and applying to it the theory of V. Z. Vlasov and that of N. Kh. Arutyunyan, the author concludes that tangential forces of interaction due to external forces increase, and those due to pre-stressing decrease with time owing to creep of concrete. If the magnitude of pre-stressing is chosen in a suitable way, then the creep does not affect the internal stresses but causes additional deformations. There are 1 figure and 2 tables.

Card 1/1

Prokopenko, I. Ye.

BOROVSKIY, P. V.

PHASE I BOOK EXPLOITATION

SOV/6206 25

Konferentsiya po teorii plastin i obolochek. Kazan', 1960.

Trudy Konferentsii po teorii plastin i obolochek, 24-29 oktyabrya 1960. (Transactions of the Conference on the Theory of Plates and Shells Held in Kazan', 24 to 29 October 1960). Kazan', [Izd-vo Kazanskogo gosudarstvennogo universiteta] 1961. 426 p. 1000 copies printed.

Sponsoring Agency: Akademiya nauk SSSR. Kazanskiy filial. Kazanskiy gosudarstvennyy universitet im. V. I. Ul'yanova-Lenina.

Editorial Board: Kh. M. Mushtari, Editor; F. S. Isanbayeva, Secretary; N. A. Alomyae, V. V. Bolotin, A. S. Vol'mir, N. S. Ganiyev, A. L. Gol'denveyzer, N. A. Kil'chevskiy, M. S. Kornishin, A. I. Lur'ye, G. N. Savin, A. V. Sachenkov, I. V. Svirskiy, R. G. Surkin, and A. P. Filippov. Ed.: V. I. Aleksagin; Tech. Ed.: Yu. P. Semenov.

PURPOSE: The collection of articles is intended for scientists and engineers who are interested in the analysis of strength and stability of shells.

Card 1/14

Transactions of the Conference (Cont.)

SOV/6206

75

COVERAGE: The book is a collection of articles delivered at the Conference on Plates and Shells held in Kazan' from 24 to 29 October 1960. The articles deal with the mathematical theory of plates and shells and its application to the solution, in both linear and nonlinear formulations, of problems of bending, static and dynamic stability, and vibration of regular and sandwich plates and shells of various shapes under various loadings in the elastic and plastic regions. Analysis is made of the behavior of plates and shells in fluids, and the effect of creep of the material is considered. A number of papers discuss problems associated with the development of effective mathematical methods for solving problems in the theory of shells. Some of the reports propose algorithms for the solution of problems with the aid of electronic computers. A total of one hundred reports and notes were presented and discussed during the conference. The reports are arranged alphabetically (Russian) by the author's name.

Card 2/14

Transactions of the Conference (Cont.)	SOV/6206
Pally, O. M. On the Problem of Mending and Load-Carrying Capacity of Cylindrical Shells with [Initial] Deformation	265
Pertsev, A. K., and Yu. I. Kadashevich. Stability of Cylindrical Shells Immersed in a Liquid Under Short-Duration Dynamic Loads	271
Petrov, Yu. P. Flexural Analysis of Elastic Trapezoidal Plates by a Discrete Method	278
<u>Prokopovich, I. Ye.</u> Basic Equations of the Theory of Thin Shallow Orthotropic Shells With Allowance for Creep	285
Frusakov, A. P. Some Flexural Problems of Circular Sandwich Plates With a Light Core	293
Frusakov, A. P. Design of a Cylindrical Tank Made of a Sandwich Sheet to Withstand Internal Pressure	298
Card 10/14	

PROKOPOVICH, I.Ye., dots., kand.tekhn.nauk

Effect of creep on the distribution in internal stresses in systems
composed of heterogeneous elements. Nauch.dokl.vys.shkoly; stroi.
no.1:47-51 ' 58. (MIRA 12:1)

1. Predstavlena kafedroy stroitel'noy mekhaniki Odesskogo inzhenerno-
stroitel'nogo instituta.
(Strain and stresses)

PROKOPOVICH, I. Ye., Doc Tech Sci (diss) -- "The effect of long-lasting processes on the stressed and deformed state of certain structures". Moscow, 1960. 38 pp (Min Higher and Inter Spec Educ RSFSR, Moscow Order of Labor Red Banner Construction Engineering Inst im V. V. Kuybyshev), 250 copies (KL, No 10, 1960, 129)

PROKOPOVICH, I.Ye., dots., kand.tekhn.nauk

Calculating the effect of creep and shrinkage of concrete on
the distribution of internal stresses in prestressed reinforced
concrete construction elements. Nauch.dokl.vys.shkoly; stroi.
no.2:13-18 ' 58. (MIRA 12:1)
(Strains and stresses) (Prestressed concrete)

ПРОКОПОВИЧ, И. Я.

✓
"Effect of Creep on the Distribution of Internal Stresses in Orthotropic Shells," by I. Ye. Prokopovich (Odessa), Inzhenernyy Sbornik, Vol 24, 1957, pp 151-164

Two examples of the effect of creep on stresses of anisotropic bodies are analyzed. The studied bodies are thin shells possessing elastic-creep orthotropy, i.e., shells having different elastic and creep properties along two mutually perpendicular axes, coinciding with the main radii of curvature. It was found that creep has a substantial effect on the stress in general and on the stress produced by acting external forces. The creep effect may be explained by the redistribution of strain and stress in anisotropic systems. Formulas are presented for computing the effect of creep in orthotropic shells of cylindrical or spherical types. These formulas may be generalized for the case of stress and strain produced by deformation. (U)

S 40-1374

PROKOPOVICH, I.Ye., kandidat tekhnicheskikh nauk.

Designing steel pressure pipelines. Gidr. stroi. 24 no.4:42-44 '55.
(MLRA 8:6)

(PipeSteel)

PROKOPOVICH, I.YE. (Odessa)

"A general method of analysis of systems composed of non-homogeneous elements"

Report presented at the 2nd All-Union Congress on Theoretical and Applied
Mechanics, Moscow 29 Jan - 5 Feb 64.

KAKOSIMIDI, N.F. (Odessa); PROKOPOVICH, I.Ya..(Odessa)

Solution of the contact problem of the theory of creep in the
case of a linear relationship between stresses and strains. PMTF
no.1:102-108 Ja-F '62. (MIRA 15:4)
(Strains and stresses) (Creep of materials)

GRONASHEVSKIY, L.V., prof.; GAITSAI, M.K., kand.med.nauk; PROKOPOVICH, K.V.

Cases of malaria contracted in mental hospitals and the problem of malaria control. Vrach. delo no.6:84-88 Je '61. (MIRA 15:1)

1. Kiyevskiy nauchno-issledovatel'skiy institut epidemiologii i mikrobiologii.

(MALARIOTHERAPY)

(KIEV...MALARIA)

GOROBETS, F.N., PROKOPOVICH, K.V.

Cleaning up an area of ascarid infestation. Vrach.delo no.8:843-845
Ag'58 (MIRA 11:8)

1. Kafedra epidemiologii Kiyevskogo instituta usovershenstvovaniya
vrachey i parazitologicheskii otdel Kiyevskoy gorodskoy sanitarno-
epidemiologicheskoy stantsii.
(SHEVCHENKO (KIEV PROVINCE))--ASCARDIS AND ASCARIASIS)

ACC NR: AP 7001302

SOURCE CODE: UR/0057/66/036/012/2118/2120

AUTHOR: Prokopovich, J. I.

ORG: Belorussian State University im. V.I. Lenin, Minsk (Belorusskiy gosudarstvennyy universitet)

TITLE: Current density distribution in a point to plane corona discharge

SOURCE: Zhurnal tekhnicheskoy fiziki, v. 36, no. 12, 1966, 2118-2120

TOPIC TAGS: corona discharge, current density, air, current distribution, field distribution

ABSTRACT: The author has measured the current distribution to the plane electrode in 4 to 10 cm point to plane corona discharges in air at pressures from 0.8 to 1.8 atm. The plane electrode consisted of nine separate rings of equal area, the current to each of which was measured. The ratio of the current to the voltage was found to be a linear function of the voltage, and the current was inversely proportional to the pressure. The current distribution on the plane electrode and the total current as a function of gap length are compared with the predictions of the formula of W. Deutsch (Phys.Zs., 34, 448, 1933). This formula does not very well reproduce either the radial or the gap length dependence of the current, and it predicts a total current that is an order of magnitude higher than is observed. An analogous formula is derived on the assumption that the electric lines of force in the gap region are straight lines. This formula does not reproduce the radial dependence of the current

Card 1/2

UDC: 537.523.3

ACC NR: AP 7001302

any better than does Deutsch's formula and it does not reproduce the gap length dependence as well, but with an ion mobility of $1.5 \text{ cm}^2/\text{V sec}$ it gives total currents of the observed order of magnitude. It is concluded that the electric lines of force in the gap region are neither elliptic arcs (as was assumed by Deutsch) nor straight lines (as was assumed in the present derivation), but that they have some other shape. It is also concluded that the distribution of the electric field in the gap region determines the distribution of current to the plane electrode. The author thanks Professor N.F.Kunin for his interest in the work. Orig. art. has: 7 formulas and 2 figures.

SUB CODE: 20

SUBM DATE: 15Nov65

ORIG. REF: 001

OTH REF: 002

Card 2/2

L 24785-66 EWT(1)

ACC NR, AP6013119

SOURCE CODE: UR/0057/66/036/004/0643/0645

AUTHOR: Prokopovich, L. I.

ORG: Belorussian State University im. V.I.Lenin (Belorusskiy gosudarstvennyy universitet)

TITLE: Mechanical effects in a point to plane corona discharge

SOURCE: Zhurnal tekhnicheskoy fiziki, v. 36, no. 4, 1966, 643-645

TOPIC TAGS: corona discharge, electric corona, electrode

ABSTRACT: The author has measured the forces on the electrodes in point to plane corona discharges at gap lengths from 3 to 10 cm, air pressures from 0.8 to 2.8 atm, and potentials from about 4 to 9 kV. The point electrode was mounted on one arm of a torsion balance which was kept balanced by a servo-system. The torsion balance was mounted within a metal container of volume 0.5 m³ and the apparatus was calibrated to within 3%. The force F on the point electrode was found to be given by $F = A(p + B)U^{1/2}(U - U_c)$, where U is the potential on the electrodes and p is presumably the air pressure. U_c is the critical voltage defined by the current-voltage characteristic of the corona discharge (Kaptsov, Koronnyy razryad. Gostekhzdat, M.-L., 1947), and in cgs electrostatic units the constants A and B are 0.13 and 0.40, respectively, for a positive point and 0.10 and 0.30, respectively, for a negative point.

Card 1/2

UDC: 537.523.3

45
44
B

L 24285-66

ACC NR: AP6013119

C.Heiser and P.Kunte (Der elektrische Wind im Zimmerluft. Ann. Physik., 15H, 5-6, 249-254, 1955) found the force $F_1 = Id/k$ on the electrode due to the electric wind in the absence of corona. Here I is the discharge current, d is the gap length, and k is the ion mobility. The differences between F and F_1 are discussed very briefly. These differences are ascribed to processes taking place near the point electrode, but no definite conclusions are drawn. The author thanks professor N.F.Kunin for his interest in the work. Orig. art. has: 2 formulas and 2 figures. [15]

SUB CODE: 20/

SUBM DATE: 30Jun65/

ORIG REF: 001/

OTH REF: 001

ATD PRESS: 4250

Card 2/2

04.2700

S/058/62/000/005/091/119
A061/A101

AUTHORS: Demidov, K. K., Pozigun, Ye. A., Prokopovich, L. P.

TITLE: A study of the thermoelectric properties of silver and thallium haloids in the presence of desensitizers

PERIODICAL: Referativnyy zhurnal, Fizika, no. 5, 1962, 33, abstract 5E262
("Nauchn. yezhegodnik. Odessk. un-t. Fiz.-matem. fak. i N.-i. in-t fiz.", no. 2, Odessa, 1961, 180-182)

√B

TEXT: The temperature dependence of the thermo-emf and the electrical conductivity of AgBr and TlBr specimens was examined in the presence of desensitizers. Tablets were pressed from the material obtained by interaction of Ag or Tl nitrate solutions with KBr. The apparatus used for measuring the thermo-emf in a wide temperature range is described. Conductivity and thermo-emf were higher in desensitized specimens than in non-desensitized ones. The specimens possessed hole conductivity. Evidently, the desensitizer plays the role of an acceptor impurity in the materials under consideration.

[Abstracter's note: Complete translation]

L. Berger'

Card 1/1

PROKOPOVICH, N.N.

Experimental data on the pharmacology of salicylanilide,
5-bromosalicyl-4-bromoanilide and sodium caprylate. Farm.
i toks. 26 no.4:467-472 J1-Ag'63 (MIRA 17:4)

1. Kafedra fiziologii i farmakologii (zav. - dotsent N.N.
Prokopovich) Zaporozhskogo farmatsevticheskogo instituta.

Name: PROKOPOVICH, Nikolay Nikolayevich

Dissertation: Adjectival combinations of words in
contemporary Russian language

Degree: Doc Philological Sci

Affiliation: [not indicated]

Defense Date, Place: 26 Mar 56, Council of Moscow State
Ped Inst imeni Lenin

Certification Date: 30 Jun 56

Source: EMVO 5/57

PROKOPOVICH, M.

Factory workers keep their word. Stroil. mat. 3:7-8 My '57.
(MIRA 10:6)

1. Sekretar' partorganizatsii Nikolayevskogo tsementnogo zavoda.
(Nikolayevsk--Cement industries)

PROKOPOVICH, M.M.

Local anesthetizing characteristics of substances obtained from propolis. Farmatsev. zhur. 15 no.1:51-52 '60. (MIRA 14:5)

1. Kafedra farmakologii Kiyevskogo meditsinskogo instituta, zaveduyushchiy kafedroy prof. O.I.Cherkes.
(PROPOLIS) (LOCAL ANESTHEISA)

PROKOPOVICH, M.R.; IVANKOV, A.G.

Statistical characteristics of noise in the cyclic magnetic reversal of ferromagnets. Izv. vys. ucheb. zav.; radiofiz. 8 no.4:831-833 '65. (MIRA 18:9)

1. Khabarovskiy medagogicheskiy institut.

L 16095-66 EWT(1)/EWT(m)/EWA(d)/EWP(t) IJF(c) JF

ACC NR: AF5022809

SOURCE CODE: UR/0141/65/008/004/0831/0833

AUTHOR: Prokopovich, M. R.; Ivankov, A. G.

38
B

ORG: Khabarov Pedagogical Institute (Khabarovskii pedagogicheskii institut)

TITLE: Statistical characteristics of noise produced by remagnetization of ferromagnets

SOURCE: IVUZ. Radiofizika, v. 8, no. 4, 1965, 831-833

TOPIC TAGS: remagnetization, radio noise, magnet, statistic analysis

ABSTRACT: In the past the statistical characteristics of noise produced by remagnetization of ferromagnets (Barkhausen's jumps) were studied under a very slow remagnetization. As a result, a relatively small number of realizations were averaged yielding in turn large errors in measurements. Here the authors study the one-dimensional probability density of Barkhausen's jumps (i.e., the time derivative of magnetization jumps) by way of investigating the statistical

21, 44, 55

27
44
55

Card 1/2

UDC: 538.56:519.25.538.2

L 16095-66

ACC NR: AP5022809

characteristics of the random component of EDF induction arising from cyclic remagnetization of the specimen. The noise of cyclic remagnetization was a periodic nonstationary process which could be transformed into a stationary process in view of results obtained from oscillographic studies. Orig. art. has: 2 figures and 4 formulas.

SUB CODE: 09 SUBM DATE: 04Jan65/ ORIG REF: 007/ OTH REF: 001

Card 2/2 SYW

PROKOPOVICH, N.

Introducing the laboratory work. Prof.-tekh. obr. 18 no.9:12
S '61. (MIRA 14:11)

1. Zamestitel' direktora po uchebno-proizvodstvennoy rabote
tekhnicheskogo uchilishcha No.4 Karagandinskoy oblasti.
(Karaganda Province--Building trades--Study and teaching)

PROKOPOVICH, N.I.

PROKOPOVICH, N.I.

Effect of field larkspur on parasitic worms in cats. Med.paraz. i
paraz.bol.supplement to no.1:71 '57. (MIRA 11:1)

1. Iz kafedry farmakologii Kiyevskogo meditsinskogo stomatologiče-
skogo instituta.
(ANTHELMINTICS) (PARASITES--CATS)

GANDEL'SMAN, A.B.; GRACHEVA, R.P.; PROKOPOVICH, N.B.

Human adaptation to hypoxemia during muscular activity. Fiziol.
Zhur. 46 no. 7:851-859 J1 '60. (MIRA 13:8)

1. From the P.F. Lesgaft Institute of Physical Culture, Leningrad.
(ANOXEMIA) (EXERCISE)

ACC NR: AP7009096

SOURCE CODE: UR/0413/67/000/003/0070/0070

INVENTOR: Gandel'sman, A. B.; Kreytser, A. G.; Prokopovich, N. B.

ORG: None

TITLE: An oximeter. Class 30, No. 191044

SOURCE: Izobreteniya, promyshlennyye obraztsy, tovarnyye znaki, no. 3, 1967, 70

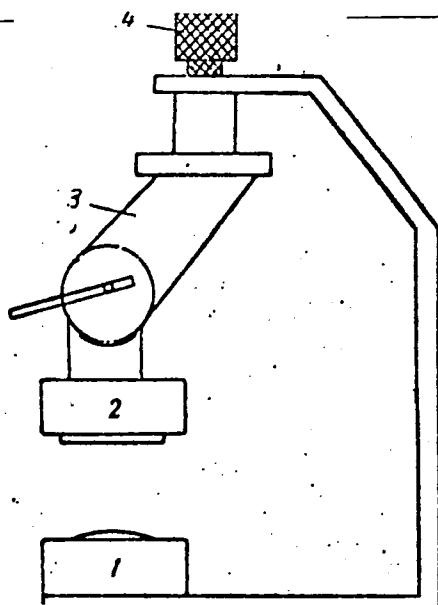
TOPIC TAGS: oximeter, medical laboratory instrument

ABSTRACT: This Author's Certificate introduces an oximeter containing an illuminator connected to a photocell. To increase convenience in selecting the optimum pressure to be applied between the fingers when measuring hypoximic displacement in the hand, the instrument is equipped with an adjustment screw and a hinge is used for interconnection between the photocell and illuminator.

UDC: 615.47:612.127.2-087

Card 1/2

ACC NR: AP7009096



1—illuminator; 2—photocell; 3—hinge; 4—adjustment screw

SUB CODE: 06/ SUBM DATE: 27Dec63

Card 2/2

39235

S/247/62/012/002/002/004
1015/1215

AUTHOR: Gandel'sman, A. B. and Prokopovich, N. B.

TITLE: Perfection of interoceptive analysis during acute hypoxemia and hypercapnia in man

PERIODICAL: Zhurnal vyshey nervnoy deyatelnosti, v. 12, no. 2, 1962, 223-228

TEXT: Three hundred experiments were carried out on seventeen long-distance runners. Perfection of the acuteness of inner sensation during the development of hypoxemia and hypercapnia was established. The better-trained runners showed a more rapid and complete perfection of self-appraisal. Special training in self-appraisal resulted in similar perfection in untrained healthy individuals. The conclusions are: interoceptive analysis and motor analysis can be improved in training; training can bring about a high degree of perfection of the interoceptive (chemoreceptive-vascular) analyzer; it is possible to improve interoceptive analysis experimentally, in a closed space and at rest without motor training; the perfection of interoceptive analyzers might be an important factor in the conscious rational distribution (self-regulation) of vital loads in men, and prevent their over-strain. There are 4 figures.

ASSOCIATION: Kafedra fiziologii Instituta fizicheskoy kul'tury im. P. F. Lesgafta (Chair of Physiology, Institute of Physical Culture im. Lesgaft)

SUBMITTED: March 27, 1961

Card 1/1

GANDEL'SMAN, A.B.; PROKOPOVICH, N.B.

Improved interoceptive analysis in acute hypoxemia and hypercapnia
in man. Zhur. vys. nerv. deiat. 12 no.2:223-228 Mr-Apr '62.
(MIRA 17:12)

1. Kafedra fiziologii Instituta fizicheskoy kul'tury imeni P.F.
Lesgafta, Leningrad.

FRCHDPOVICH, S.B., Cand. Bio Sci--(diss) "Description of motor con-
ditioned reflexes in the cortex of the large brain, based by a ~~new~~
method." Leningrad, 1958. 19 pp (Min of Education RCPFR. Leningrad
State Pedagog^{ical} Inst in A.I. Gorkien. Chair of Anatomy and Physiology of
Animals and Humans), 100 copies (11, 48-10, 103)

- 24 -

PROKOROVICH, N.B.

Internal differentiated inhibition in guinea pigs. Uch.zap.Ped.inst.
Gerts.113:119-125 '55. (MLRA 10:3)
(INHIBITION)

PROKOPOVICH, N.N.

USSR.

✓ Anthelmintic effects of watermelon seeds. I. M. Feler, M. Z. Mjudin, and N. N. Prokopovich (Inst. Advance. Pharmacists, Kiev). *Farmakol. i Toksikol.* 17, No. 5, 50-1 (1954).—Tannins and essential oils were found in watermelon seeds, but no alkaloids. The fatty oil, as well as aq. and alc. exts. of hull or of kernels, paralyze tapeworms and roundworms in cats. The anthelmintic activity is higher than that of pumpkin seeds. Julian F. Smith

USSR / Pharmacology and Toxicology. Local Anaesthetic Agents.

V-3

Abs Jour : Ref Zhur - Biol., No 16, 1958, No 75744

Author : Prokopovich, N. N.

Inst : Not given

Title : A New Anaesthetic Agent - Propolis.

Orig Pub : Vrachebn. delo, 1957, No. 10, 1077-1080.

Abstract : Propolis (Bee glue; I) is proposed as an anaesthetic agent. In 46 tests conducted on the cornea of rabbits according to the Rena method, it was established that a 0.25% solution of I causes full anaesthesia for 1 hour. A simultaneous administration of a 0.03% solution of I and a 0.25% solution of novocaine (II) proved to have an anaesthetizing effect 14 times stronger than the solution of II alone. I decreases the conductivity of the sciatic nerve of the frog more strongly than II. In tests on mice, it was shown that

Card 1/2

7

USSR / Pharmacology and Toxicology. Local Anaesthetic Agents. V-3

Abs Jour : Ref Zhur - Bidl., No 16, 1958, No 75744

the toxicity of I is less than II. The internal introduction in rabbits of 240-270 mg/kg of I decreases the arterial pressure by 40-50 mm mercury. I contracts the isolated vessels of the ear of a rabbit. I possesses a stronger local anaesthetic effect than do novocain and cocain. --
V. I. Gerasimov.

Card 2/2

PROKOPOVICH, N.N.

Pharmacology of some antifungous drugs. Vrach. delo no. 1:94-97
'61. (MIRA 14:4)

1. Kafedra fiziologii i farmakologii (zav. - dotsent I.S. Samoylenko)
Zaporozhskogo farmatsevticheskogo instituta.
(FUNGICIDES)

NOVIK, Isaak Osipovich, prof.; MARCHENKO, Aleksey Ivanovich, kand.
med. nauk; PROKOPOVICH, N.N., red.; BYKOV, N.M., tekhn.
red.

[Short prescription handbook for the stomatologist]Kratkii
retsepturnyi spravochnik vracha-stomatologa. Kiev, Gosmed-
izdat USSR, 1961. 87 p. (MIRA 15:11)
(STOMATOLOGY) (PRESCRIPTION WRITING)

PROKOPOVICH, N.N., dotsent (Zaporozh'ye)

Absorption of dibromosalicylanilide, an antifungal and antimicrobial remedy. Vrach. delo no.8:122-123 Ag'63. (MIRA 16:9)

1. Kafedra anatomii i fiziologii s farmakologiyey (zav. - dotsent N.N.Prokopovich) farmatsevticheskogo instituta.
(SALICYLANILIDE)

PROKOPOVICH, N.N.

URBANOVICH, L.I.; PROKOPOVICH, N.N.

Effect of hyaluronidase on the anesthetizing function of novocaine.
Vrach.delo supplement '57:95 (MIRA 11:3)

1. Kafedra terapevticheskoy stomatologii (zav.-prof. I.O.Novik)
i kafedra farmakologii (zav.-chlen korr. AMN SSSR, prof. A.I. Cherkas)
Kiyevskogo meditsinskogo instituta.
(HYALURONIDASE) (NOVOCAINE)

NOVIK, Isaak Osipovich, prof.; MARCHENKO, Aleksey Ivanovich, kand.med.
nauk; PROKOPOVICH, N.H., red.; GITSHTEYN, A.D., tekhred.

[Concise prescription manual for the stomatologist] Kratkii
retsepturnyi spravochnik vracha-stomatologa. Kiev, Gos.med.
izd-vo USSR, 1959. 87 p. (MIRA 13:6)
(MEDICINE--FORMULAE, RECEIPTS, PRESCRIPTIONS)

Prokopovich, N.N.

✓ Antihelminthic properties of melon seeds. T. V. Zinchenko, M. Z. Mindlin, and N. N. Prokopovich (Training Inst. Physicians, Kiev). *Farmakol. i Toksikol.* 18, No. 5, 41-2(1955).—Whole melon (*Cucumis melo*) seed contains up to 25.4% fatty oil, with essential oils in traces; kernels contain up to 44.5% fatty oil. The glycerides analysis showed satd. acids 10.11, oleic acid 29.76, and linoleic acid 59.43%. The aq. and alc. exts. from peeled and whole seeds are antihelminthic (tests with cats); so is the fatty oil. The exts. and the fatty oil are nontoxic to cats in doses up to 8 g. Clinical trials against tapeworm and roundworm have not yet been reported. The oil is suitable for making ointments, liniments, and soaps. Julian F. Smith

3

SIGANUR, I.Sh. [Syhanur, I.Sh.]; PROKOPOVICH, O.N. [Prokopovych, O.N.],
YAKOVTSOVA, G.V. [Yakovtsova, H.V.]

Main trends in the economic organization of oils and fats industries.
Khar. prom. no.2:64-66 Ap-Je '65. (MIRA 13:5)

BOGOLYUBSKIY, N.; BORISOV, S.; GRIGOR'YEV, N.; GUSAROV, M.; GUSEV, L.;
ZHAROV, S.; ZHETVIN, N.; ZALOGIN, S.; ZOLOTOV, G.; IBOZEMTSEV, N.;
KLEMENT'YEVA, A.; KOMAROV, A.; KOSMACHEV, V.; LAPTEV, V.; LOMONOSOV, V.;
MIKHAYLOV, A.; NOVIKOV, I.; PERTSEV, M.; PROKOPOVICH, P.; ROMANOV, I.;
RUBLINSKAYA, R.; SVIRIDOV, G.; SOTNIKOV, G.; SUBBOTIN, A.; TURTANOV, I.;
CHESNOKOV, S.; CHICHKIN, K.; CHIKHANOV, I.

Grigori Markelovich Il'in; an obituary. Metallurg 3 no.10:36 0 '58.
(MIRA 11:10)

(Il'in, Grigori Markelovich, 1894-1958)

PROKOPOVICH, Petr Ivanovich [deceased]; FEDOSOV, N.F.; FEDOTOV, T.T.,
red.; GOR'KOVA, Z.D., tekhn.red.

[Selected articles on bee culture] Izbrannye stat'i po pchelo-
vodstvu. Moskva, Gos.izd-vo sel'khoz.lit-ry. 1960. 311 p.
(Bee culture) (MIRA 13:8)

PROKOPOVICH, P.K.; CHERNYSHEV, G.P.; SHITOVA, L.N., red.izd-va;
TARKHOVA, K.Ye., tekhn. red.

[Instructions SN 234-62 for engineering surveys for construction lines; approved at the request of the Soviet of the Ministries of the U.S.S.R. by order of the State Committee on Construction of the U.S.S.R. of December 13, 1962] Instruktsiia po inzhenernym izyskaniiam dlia lineinogo stroitel'stva (SN 234-62); utverzhdena po porucheniiu Soveta Ministrov SSSR prikazom Gosstroia SSSR ot 13 dekabria 1962 g. Moskva, Gosstroizdat, 1963. 34 p. (MIRA 16:7)

1. Russia (1923- U.S.S.R.) Gosudarstvennyy komitet po delam stroitel'stva. 2. Gosudarstvennyy komitet Soveta Ministrov SSSR po delam stroitel'stva (for Prokopovich). 3. Institut Gipromtransstroy Ministerstva transportnogo stroitel'stva SSSR (for Chernyshev). (Surveying)

LITVINENKO, L.M.; ALEKSANDROVA, D.M.; PROKOPOVICH, S.F.

Medium and reactivity. Part 8: Kinetics of the acylation of aromatic amines with acetic anhydride and benzoyl chloride in benzene with chloroacetic acid additions. Ukr. khim. zhur. 27 no.4:494-502 '61. (MIRA 14:7)

1. Khar'kovskiy gosudarstvennyy universitet im. A.M.Gor'kogo, kafedra tekhnicheskoy khimii.

(Amines) (Acylation)

PROKOPOVICH, Sergei Nikolaevich

PROKOPOVICH, Sergei Nikolaevich. The economic condition of soviet Russia, by S. N. Prokopovitch...London, P. S. King and son, ltd., 1924. 3 p. l., 230 p.
Bibliographical foot-notes.

DLG: HC335.F65

SO: LC, Soviet Geography, Part I, 1951, Uncl.

ANDRIANOV, S.M.; BARYUTIN, B.S.; BEZHETSKIY, M.I.; BOGDANOV, M.N.;
GOLOVANOV, S.V.; IOFFE, N.S.; KAPLAN, N.M.; KIRBYEV, A.V.;
KOLOBOV, G.M.; KOROLEVA, M.A.; KURIN, A.I.; MINAYEV, M.S.;
POZDNYAKOVA, T.A.; PROKOPOVICH, V.M.; SOLOV'YEV, S.N.;
TRET'YAKOV, N.P.; CHEKOV, A.M.; FILIMONOV, N.D.

Petr Fedorovich Lel'kov; obituary. Ptitssevodstvo 9 no.8:48
Ag '59. (MIRA 12:12)
(Lel'kov, Petr Fedorovich, 1905?--1959)

PROKOPOVICH, Sergei Nikolaevich.

PROKOPOVICH, Sergei Nikolaevich. Die naturlichen Hilfsquellen der UdSSR. Zurich/New York, Europa Verlag [1947]. 40 p.

"Vortrag, gehalten in der 'Societe de geographie de Geneve' am 28. Januar 1944.

Aus dem Franzoesischen uebertragen von Lola Humm."

DIC: HC335.P628

SO: IG, Soviet Geography, Part I, 1951, Uncl.

Y
PROKOPOVICH, Sergei Nikolavich.

Der vierte Fuenfjahrplander Sowjetunion, 1946-1950. [The fourth five-year plan of the Soviet Union, 1946-1950/. Zuerich, Europa Verlag, 1948/. 152 p. Bibliographical references included in Anmerkungen (p. 144-150). An analysis of Russia's economic positon at the close of the war and of the prospects for the fourth five-year plan; illustrated with many statistics and based largely on Russian sources (For. Aff.) On railroads, p. 107. The restoration and development of industry, transport and trade (p. 94).

DLC: HC335.P725

SO: Soviet Transportation and Communications, A Bibliography, Library of Congress Reference Department, Washington, 1952, Unclassified.

PROYOPITION, V.

"The Submarine: From the History of Underwater Navigation," *Transatlantic*,
Red Navy Man, n. 6, March 1939, p. 11-14.

Прокоров, В. П.

BOGDANOV, Aleksandr Vasil'yevich; MAYOROV, Viktor Konstantinovich;
~~PROKOPOVICH, Viktor Pavlovich~~; BENESHEVICH, I.I., kandidat
tekhnicheskikh nauk, redaktor; STIKHNO, T.V., tekhnicheskii
redaktor

[Remote control of railroad junction transformer substations]
Teleupravlenie transformatornymi podstantsiyami zheleznodorozhnykh
uslov. Moskva, Gos.transp.zhel-dor. izd-vo, 1957. 128 p. (MLRA 10:8)
(Remote control) (Railroad--Electric equipment)

PROKOPOVICH, V.S. (Leningrad, 9-ya Sovetskaya ul. d. 20 kv. 17)

Treatment of congenital constrictions of the extremities in children. Ortop., travm. i protez. 26 no.9:31-35 S '65.

(MIRA 18:10)

1. Iz travmatologicheskogo otdeleniya (zav. -- doktor med. nauk N.I. Butikova) Detskogo ortopedicheskogo instituta imeni G.I. Turnera (direktor -- prof. M.N. Goncharova) na baze Detskoy bol'nitsy imeni K.A. Ruukhfusa (glavnyy vrach -- Ye.I. Knys zava).

1ST AND 2ND GROUPS
PROCESSES AND PROPERTIES INDEX

7

CA

Use of diphenylcarbazide for the rapid determination of sulfate in magnesium (-containing solutions) and in technical hydrochloric acid. A. T. Sveshnikov and V. V. Prokopovich. *Zavodskaya Lab.* 9, 231-2(1940); *Khim. Referat. Zhur.* 1940, No. 8, 40. --Ppt. the sulfate from the soln. of Mg in dil. HCl by titrating with BaCl₂. Ppt. excess BaCl₂ with K₂Cr₂O₇ (in a measuring flask), add NH₄OH until an alk. reaction is obtained and bring the vol. to the mark with water. Acidify an aliquot part of the filtrate with AcOH and det. Cr₂O₇⁻ colorimetrically with diphenylcarbazide soln. (diphenylcarbazide 0.1 g. + AcOH 10 cc. + alc. 90 cc.) in a Duboscq colorimeter. Sulfate in tech. HCl can be detd. similarly. W. R. H.

METALLURGICAL LITERATURE CLASSIFICATION

PROCESSES AND PROPERTIES INDEX

B-1-8

BC

[REDACTED]

A.I.R.-S.L.A. METALLURGICAL LITERATURE CLASSIFICATION

A U T H O R S

1ST AND LAST

2ND LETTER

3RD AND 4TH

5TH

6TH

7TH

8TH

9TH

10TH

11TH

12TH

13TH

14TH

15TH

16TH

17TH

18TH

19TH

20TH

21ST

22ND

23RD

24TH

25TH

26TH

27TH

28TH

29TH

30TH

31ST

32ND

33RD

34TH

35TH

36TH

37TH

38TH

39TH

40TH

41ST

42ND

43RD

44TH

45TH

46TH

47TH

48TH

49TH

50TH

51ST

52ND

53RD

54TH

55TH

56TH

57TH

58TH

59TH

60TH

61ST

62ND

63RD

64TH

65TH

66TH

67TH

68TH

69TH

70TH

71ST

72ND

73RD

74TH

75TH

76TH

77TH

78TH

79TH

80TH

81ST

82ND

83RD

84TH

85TH

86TH

87TH

88TH

89TH

90TH

91ST

92ND

93RD

94TH

95TH

96TH

97TH

98TH

99TH

100TH

101ST

102ND

103RD

104TH

105TH

106TH

107TH

108TH

109TH

110TH

111ST

112ND

113RD

114TH

115TH

116TH

117TH

118TH

119TH

120TH

121ST

122ND

123RD

124TH

125TH

126TH

127TH

128TH

129TH

130TH

131ST

132ND

133RD

134TH

135TH

136TH

137TH

138TH

139TH

140TH

141ST

142ND

143RD

144TH

145TH

146TH

147TH

148TH

149TH

150TH

151ST

152ND

153RD

154TH

155TH

156TH

157TH

158TH

159TH

160TH

161ST

162ND

163RD

164TH

165TH

166TH

167TH

168TH

169TH

170TH

171ST

172ND

173RD

174TH

175TH

176TH

177TH

178TH

179TH

180TH

181ST

182ND

183RD

184TH

185TH

186TH

187TH

188TH

189TH

190TH

191ST

192ND

193RD

194TH

195TH

196TH

197TH

198TH

199TH

200TH

201ST

202ND

203RD

204TH

205TH

206TH

207TH

208TH

209TH

210TH

211ST

212ND

213RD

214TH

215TH

216TH

217TH

218TH

219TH

220TH

221ST

222ND

223RD

224TH

225TH

226TH

227TH

228TH

229TH

230TH

231ST

232ND

233RD

234TH

235TH

236TH

237TH

238TH

239TH

240TH

241ST

242ND

243RD

244TH

245TH

246TH

247TH

248TH

249TH

250TH

251ST

252ND

253RD

254TH

255TH

256TH

257TH

258TH

259TH

260TH

261ST

262ND

263RD

264TH

265TH

266TH

267TH

268TH

269TH

270TH

271ST

272ND

273RD

274TH

275TH

276TH

277TH

278TH

279TH

280TH

281ST

282ND

283RD

284TH

285TH

286TH

287TH

288TH

289TH

290TH

291ST

292ND

293RD

294TH

295TH

296TH

297TH

298TH

299TH

300TH

CZECHOSLOVAKIA/Zooparasitology - Helminths.

G.

Abs Jour : Ref Zhur - Biol., No 15, 1958, 67515

Author : Prokopovich, Ya.

Inst : -

Title : The Influence of Ecological Factors and Specificity of Parasitic Worms in Insectivores.

Orig Pub : Folia biol. (Ceskosl.), 1957, 3, No 2, 114-119.

Abstract : An analysis of the specificity of 64 species of helminths from 600 insectivores of 10 species. Emphasized is the relative nature of the concept of specificity of parasitic worms of insectivores and their dependence on the concrete ecological conditions of the host.

Card 1/1

- 13 -

L 10478-66 EWP(v)/EWP(k)/EWP(h)/EWP(l)

ACC NR: AP6003543

SOURCE CODE: RU/0011/65/009/001/0012/0015

AUTHOR: Davidoviciu, A.—Davidovich, A. (Engineer); Procopovici, E.—Prokopovich, Ye. (Engineer)

ORG: none

45
B

TITLE: Program unit for machine-tools with positioning digital control program

SOURCE: Automatica si electronica, v. 9, no. 1, 1965, 12-15

TOPIC TAGS: computer programming, computer application, machine tool

ABSTRACT: The authors discuss the problems connected with the programming of machine tools with positioning digital control programs and describe the design and construction of a practical programming device of this type. Orig. art. has: 4 figures, 1 table.

[JPRS]

SUB CODE: 09, 13 / SUBM DATE: none / ORIG REF: 001 / SOV REF: 001

HW

Card 1/1

UDC: 621-531.4 + 503.55: 621.9

PROKOPOVICH YE. A., Engineer

Review of Mikheyev, Tikhvinskiy, and Makarevich, Vosstanovleniye rezhushchero instrumenta (Restoration of a cutting tool,) Mashgiz, 1944, Stanki i Instrument, 16, Nos. 4-5, 1945

BF-52059019

S/194/61/000/011/069/070
D271/D302

9,3277

AUTHORS: Prokopenko, Z.I. and Tikhomirova, L.P.

TITLE: Pulse-code modulation converters

PERIODICAL: Referativnyy zhurnal. Avtomatika i radioelektronika, no. 11, 1961, 8, abstract 11 L40 (Tr. nauchno-tekhn. konferentsii Leningr. elektrotekhn. in-ta svyazi, no. 1, L., 1961, 67-72)

TEXT: The conversion of a continuous signal into a pulse-code represents a complex of the several following operations: Quantization of the signal in time, quantization of the signal level, and coding of the level. Level quantization and coding are always done together. Three methods of coding are used: 1) Counting; 2) weighing, or the method of step compensation; 3) counting of pulses in a certain time interval by means of a binary counter. At the receiving end of the system a decoder reconstitutes a continuous signal out of the pulse-code. The block diagram is discussed of a

✓
B

Card 1/2

Pulse-code modulation converters

S/194/61/000/011/069/070
D271/D302

coder based on the weighing method and of a decoder with a 7-digit shift register. 2 references. [Abstracter's note: Complete translation]

✓
B

Card 2/2

KAMENIK, Alojzy; PROKOPOWA, Wlasta; TOVAREK, Jozef

Uropepsin in coronary diseases. Polski tygod. lek. 13 no.26:981-983
30 June 58.

1. (Z III Kliniki Chorob Wewnętrznych Wydziału Lekarskiego Uniwersyte-
tu Masaryka w Bernie; kierownik: prof. dr Jaroslav Pojer). III Klinika
Chorob Wewnętrznych UM w Bernie, Pekarska 53/55.

(MYOCARDIAL INFARCT, urine in
uropepsin, diag. value (Pol))

(UROPEPSIN, in urine
in myocardial infarct, diag. value (Pol))

PROCEEDINGS, Danuta

Determination of serum glucosamine and the behavior of A.P. proteins (proteins of the acute phase) in patients with brucellosis. Wiad. parazyt. 10 no.4:322-325 '62.

1. Klinika Chorob Bakteryjch Akademii Medycznej, Białystok.

PROKOPOWICZ, Jan; WOROWSKI, Krzysztof

Biosynthesis and metabolism of blood coagulation and fibrinolysis factors. Pol. arch. med. wewnet. 35 no.4:531-537 '65.

1. Z Zakładu Chemii Fizjologicznej Akademii Medycznej w Białymstoku (Kierownik: doc. dr. med. S. Niewiarowski).

CZEREPKO, Kazimierz; NIEWIAROWSKI, Stefan, doc. dr. med.; POPLAWSKI, Aleksandre, PROKOPOWICZ, Jan; WOLOSOWICZ, Nina; WOROWSKI, Krzysztof.

An epsilon-aminocaproic acid preparation and its use in the treatment of hemorrhage and hemorrhagic diathesis. Pol. tyg. lek. 19 no.47:1805-1807 23 N'64.

1. Z Zakladu Chemii Fizjologicznej Akademii Medycznej w Bialymstoku (kierownik: doc. dr. med. Stefan Niewiarowski).

PROKOPOWICZ, Jan

Studies on the behavior of erythrocyte catalase in functional disorders of the liver. Pol. arch.med.wewnet. 34 no.1:43-52 '64.

1. Z II Kliniki Chorob Wewnętrznych AM w Białymstoku (kierownik: prof.dr.med. J.Chlebowski) i z Zakładu Chemii Fizjologicznej AM w Białymstoku (kierownik: doc.dr.med. S.Niewiarowski).

*

1 / Potentiometric investigation of the adsorption isotherm of chlorine on activated carbon. Witold Tomassi and Maria Prokopowicz (Politech. Warszawska, Warsaw). *Prace Inst. Chem. 37, 485-8 (1958) (English summary)*.—The effect of adsorption of Cl (from aq. soln.) onto activated C on the potential of the C is very high. The study was made at 25° with activated C "CL" (Polish designation) that was previously freed of water-sol. components. The C bearing the adsorbed layer was applied as the dispersed phase of a powder electrode (C.A. 52, 16003b). During the adsorption of Cl from O-free and from aerated solns. similar results were obtained. The equation $p = aG^b$ can be applied; p = potential of the powder electrode (in H scale), G = the surface concn. of Cl (in g. of Cl per g. of C), and a and b are consts. ($a = 1680$ and $b = 0.395$). The potential of the powder electrode changes with time; this can be explained by considering the powder electrode as a Cl electrode. In the electrode process $2Cl^- = Cl_2 + 2e$, chlorine takes part as if desorbed and dissolved in H_2O and not as Cl from the adsorbed layer.

4
100
100d

G(u)
Y.

F. J. Hendel

POLAND

HULMAK, Wacław, PROKOPOWICZ, Danuta, and ROGOWICKA, Irena,
Clinic of Infectious Diseases (Klinika Chorob Zakaźnych),
the AM [Akademia Medyczna, Medical Academy] in Białystok
(Director: Docent, Dr. P. BIRON)

"Incidence of Infectious Hepatitis Cases Without Jaundice
in In-Patients."

Warsaw, Przegląd Epidemiologiczny, Vol 16, No 3, 62, pp 347-
349.

Abstract: [Authors' English summary] Authors analyzed 2554
records of in-patients with infectious hepatitis during
1954-1962. Infectious hepatitis without jaundice was de-
termined in 90 cases. The frequency of some objective and
subjective symptoms, as well as results of laboratory tests
have also been analyzed. The authors consider that the in-
crease in serum transaminases level, increase of blood iron
level, and positive heterohemagglutination with chicken red
blood cells most valuable in the diagnosis of infectious
hepatitis without jaundice. No references.

1/1

POLAND / Physical Chemistry--Surface phenomena. B-15
Adsorption. Chromatography.
Ion Exchange.

Abs Jour : Referat Zhur--Khimiya, No. 11, 1959, 38031

Author : Tomassi, W.; and Prokopowicz, M.

Inst : Not given

Title : The Potentiometric Study of the Isotherms for
the Adsorption of Chlorine on Activated Charcoal.

Orig Pub : Przemysl Chem, 37, No. 7, 465-468 (1958) (in
Polish with English and Russian summaries)

Abstract : The authors have made a potentiometric study of
the isotherm (I) for the adsorption of Cl on
activated CL charcoal which has been purified
from all water-soluble components. The charcoal
with its adsorbed film forms the disperse phase
of a powder electrode [sic]. The authors have

Card 1/3

POLAND / Physical Chemistry--Surface phenomena.
Adsorptions. Chromatography.
Ion Exchange.

B-13

Abs Jour : Referat Zhur--Khimiya, No. 11, 1959, 38031

observed marked potentiometric effects when the I of Cl is recorded, using the equation $E = a + b \log C_1$, where E is the potential of the powder electrode (on the hydrogen scale), C_1 is the surface concentration of Cl (in gms per gm charcoal), and a and b are constants having values of 1580 and 0.305, respectively. When the I of chlorine is recorded using a gas phase from which all traces of oxygen have been removed and when the chlorine is adsorbed from an aerated aqueous solution, similar results are obtained. The authors have determined experimentally the variation of E with the time and the dependence of E on the surface concentration of Cl; their re-

Card 2/3

POLAND / Physical Chemistry--Surface phenomena.
Adsorption. Chromatography.
Ion Exchange.

B-13

Abs Jour : Referat Zhur--Khimiya, No. 11, 1959, 38031

sults can be interpreted if the powder electrode (studied in 0.5 M aqueous KCl solution) is treated as a chlorine electrode. The atomic chlorine behaves in the electrode process taking place at the surface of the charcoal ($2\text{Cl}^- = \text{Cl}_2 + 2e$) as if it had desorbed and were dissolved in the aqueous phase. -- M. Lipets

Card 3/3

47

ROLAND/Physical Chemistry. Surface Phenomena, Adsorption.
Chromatography. Ion Exchange.

B

Abs Jour: Ref Zhur-Khimiya, No 22, 1958, 73461.

Author : W. Tomassi, H. Jankowska, M. Prokopowicz.

Inst :

Title : Study of Adsorbents and Adsorption Isotherms
Using Powder Electrodes.

Orig Pub: Przem. chem., 1957, 13, No 12, 683-688.

Abstract: The application of the method of powder electrodes (RZhKhim, 1956, 57569, 57639; 1957, 47585, 76764) to the study of adsorbent (activated carbon and silica gel) properties and to the determination of adsorption isotherms of various substances gave good results. At that occasion, it was attempted to clear the mechanism of pro-

Card : 1/2

POLAND/Physical Chemistry. Surface Phenomena. Adsorption.
Chromatography. Ion Exchange.

B

Abs Jour: Ref Zhur-Khimiya, No 22, 1958, 73461.

cesses taking place in powder electrodes containing
carbon with an adsorption layer and in powder elec-
trodes with silica gel.

Card : 2/2

PROKOPOWICZ-WIERZBOWSKA, M.

PROKOPOWICZ-WIERZBOWSKA M.

Gryzlica u dzieci szczepionych BCG i powikłania poszczepienne.
[Tuberculosis in children vaccinated with BCG and post-
vaccination complications] *Pediat. polska* 23:7-8 Nov-Dec 49
p. 665-73.

NAI

PROKOPOWICZ-WIERZBOWSKA, M.

Tuberculosis in children vaccinated with BCG and post-vaccination complications. *Pediatr.polska* 23 no.7-8:665-673 H-D '49.(CIML 19:2)

PROCEDURES AND PRECEPTS INDEX

199 AND 210 APR 59

A M

ПРОКОПЧУК (А.). Клиниче и експериментелле Ангбен тбер Chromomycoosis. [Clinical and experimental data on chromomycoosis.]—*Vestn. Venerol. Derm.*, 1938, 3, pp. 21-27, 1938. [Russian. Abs. in *Zbl. Haut- u. GeschKr.*, ix, 12-15, p. 628, 1938.]

Fourteen cases of verrucose, tuberos, nodular, and overlapping types of chromoblastomycoosis, the first-named attributed by Jaczewski to *Hormodendrum rossicum* [*R.A.M.*, xvii, p. 529], are stated to have been observed in the U.S.S.R. Inoculations with fungal material from diseased tissues on rabbits, guinea-pigs, and rats, resulted in pustules, which gave rise in pure culture to the typical dark green, velvety colonies of *Hormodendrum*.

STATE LIBRARY

ASB-5LA METALLURGIKA, LITERATURE CLASSIFICATION		ISSUE NUMBER		CLASSIFICATION	
ISSUE NUMBER		ISSUE NUMBER		ISSUE NUMBER	
1	2	3	4	5	6
7	8	9	0	1	2
3	4	5	6	7	8
9	0	1	2	3	4
5	6	7	8	9	0
1	2	3	4	5	6
7	8	9	0	1	2
3	4	5	6	7	8
9	0	1	2	3	4
5	6	7	8	9	0
1	2	3	4	5	6
7	8	9	0	1	2
3	4	5	6	7	8
9	0	1	2	3	4
5	6	7	8	9	0
1	2	3	4	5	6
7	8	9	0	1	2
3	4	5	6	7	8
9	0	1	2	3	4
5	6	7	8	9	0

PROCESSING AND PROPERTIES INDEX

A-3

~~$\text{C}_6\text{H}_5\text{N}_2\text{Cl}$~~
 p-Finone oxide in Griegerson's reaction. N. Paulsen and H. Schmiedel. *Z. Chem.* Bonn, 1962, 3, 622-629. p-Finone oxide yields with methyl (I) an aldehyde (II), b.p. 120-122°/30 mm. (III) yields with H₂O into an aldehyde (II), b.p. 120-122°/30 mm. (semi-carbazono, m.p. 173°). (I) the product is a mixture of (II) and an alcohol which on oxidation yields an aldehyde (III), b.p. 134-136°/30 mm. (semicarbazone, m.p. 173°). R. T.

ASM-SLA METALLURGICAL LITERATURE CLASSIFICATION

MATERIALS INDEX COMMON ELEMENTS OPEN MATERIALS INDEX NONMETALS										EXTRINSIC INDEX PHYSICAL CHEMICAL METALLURGICAL															
A	B	C	D	E	F	G	H	I	J	K	L	M	N	O	P	Q	R	S	T	U	V	W	X	Y	Z

PROKOŃOWICZ, Dan ta

So-called acute phase syndrome. Pol. tyg. lek. 19 no.40:
1516-1517 5 0 '64

1. Z Kliniki Chorob Zakaznych Akademii Medycznej w Białymstoku
(Kierownik: doc. dr. med. Piotr Boron).

PROF. S. W. Paruta

Behavior of serum-precipitable blood proteins in patients
with viral hepatitis. Pol. arch. med. wewn. 34 no. 33
135-139 '64

L. S. Kliniki Głównego Zakaznicy Akademii Medycyny w Białymstoku
(Kierownik doc. S. med. S. Boron).

BULHAK, Waclaw; PROKOPOWICZ, Danuta; ROGOWICKA, Irena

The appearance of anicteric viral hepatitis in clinical material.
Przegl. epidem. 16 no.3:347-349 '62.

1. Z Kliniki Chorob Zakaznych AM w Bialymstoku, Kierownik: doc. dr
P. Boron.

(HEPATITIS INFECTION)

BORON, Piotr; PROKOPOWICZ, Danuta

Correlation of changes in the blood transaminases and glucosamines
in patients with lesions of the hepatic parenchyma. Przegl. lek. 21
no.9:544-547 '65.

I. 2 Kliniki Chorob Zakaźnych AM w Białymstoku (Kierownik: Doc.
dr. med. P. Boron).

OSTROWSKI, Ludwik; KANSKA, Barbara; FRÓKOPOWICZ, Jan

Hemorrhagic cyst of the mandible in macrocytic thrombocytopathy.
Czas. stomat. 18 no.11:1309-1314 N ' 65.

1. Z II Kliniki Chirurgicznej AM w Białymstoku (Kierownik: prof. dr. T. Jankowski); z Kliniki Chorob Dzieci AM w Białymstoku (Kierownik: zastępca prof. A. Kanski) i z Zakładu Chemii Fizjologicznej AM w Białymstoku (Kierownik: doc. dr. S. Niewiarowski).

PRCKOPWICZ, Janusz, mgr ins. (Gdansk)

Gas turbines on hydrofoil boats. Bud okretowe Warszawa 7
no.12:417-418 D '62.

PROKOPOWICZ, Leszek, mgr inz.; KLOSOWSKI, Andrzej, inz.

Tabling of the outflow characteristic of atomizers of
high-pressure engines. Techn motor 12 no. 4/5: 127-131
Ap-My '62.

PROKOPOWICZ, Jan; JAROSZEWICZ, Leokadia; IRYNIEWIECKI, Antoni; POPLAWSKI, Aleksander

Behavior of the catalase activity of the liver and erythrocytes in experimental carbon tetrachloride poisoning in the dog.
Acta physiol. Pol. 15 no.1:55-65 Ja-F '64.

1. Z Zakładu Chemii Fizjologicznej Akademii Medycznej w Białymstoku (Kierownik: doc. dr St. Niewiarowski) i Z II Kliniki Chorob Wewnętrznych Akademii Medycznej w Białymstoku (Kierownik: prof. dr J. Chlebowski).

KOSTRO, Bożena; PROKOPOWICZ, Jan; SERMATKO, Andrzej

Studies on acute and chronic toxicity of epsilon-aminocaproic acid.
Acta physiol. Pol. 15 no.3:439-448 My-Je '64.

1. Z Zakładu Farmakologii Akademii Medycznej w Białymstoku (Kierownik: doc. dr. A. Danysz); z Zakładu Chemii Fizjologicznej Akademii Medycznej w Białymstoku (Kierownik: doc. dr. S. Niewiarowski); z Zakładu Histologii Akademii Medycznej w Białymstoku (Kierownik: doc. dr. H. Lewinska).

PROKOPP, Gyula

Manufacture of the first hollow bricks in Hungary.
Epitoanyag 15 no.1:31-36 Ja '63.

HUNGARY

KAZAR, Gyula, Dr, MEHES, Gyorgy, Dr, GYIMESI, Vilmos, Dr, PROKOPP, Laszlo, Dr; Veterinary Control Service for the Meat Industry (Husipari Allatorvosi Ellenorzo Szolgalat) (chief veterinary: KAZAR, Gyula, Dr).

"Data on the Incidence of Some Infectious and Parasitic Diseases in Hungarian Slaughter Houses in 1959-61."

Budapest, Magyar Allatorvosok Lapja, Vol 6, No 18, June 63, pp 248-253.

Abstract:[Authors' English summary modified] Compared with the previous three-year period, cases of swine tb decreased, tb of cattle, determined macroscopically, decreased from 11-13 to 9.5-7.5 per cent, that of pigs decreased from 1 to 0.3-0.6 per cent. The incidence of severe, generalized cases of tb in cattle increased two-fold, in swine three-fold. Swine erysipelas decreased to one third of the previous level, swine fever and salmonellosis showed a new increase after a transient decrease. Fasciolosis of cattle and echinococcosis of swine caused steadily high losses, with heavy infestation in about one-third of each stock. Severe cases of fasciolosis of sheep was put to 50 per cent among the slaughtered animals. Cysticercosis of cattle increased slightly while in pigs it was observed very rarely, with only six cases reported in 1961. 6 Eastern European, 6 Western references.

PROKOPTSEV, N.G.

~~Small intrusives in the Kuzir-Korgon interfluvium and ore deposits~~
associated with them (Gornyy Altai). Geol.rud. mestorozh. no.6:
80-87 N-D ' 60. (MIRA 14:3)
(Altai Mountains--Rocks, Igneous)
(Altai Mountains--Ore deposits)

PROKOPISEV, N.G.

Genesis of diabase pegmatites. Geol. i geofiz. no.4:182-
183 '65. (MIRA 18:8)

PROKOPTSEV, N.G.

Method of mechanical analysis of pelitic fractions of marine sediments
(suspension balance). Okeanologiya 4 no.4:699-706 '64.

(MIRA 17:10)

1. Chernomorskaya eksperimental'naya nauchno-issledovatel'skaya stantsiya
Instituta okeanologii AN SSSR.

PROKOPTSEV, N.G.; STEL'MAKH, O.L.

Setting-up a Vasil'ev pipette for a complet analysis of the mechanical properties of soils (outfit of the Black Sea Experimental Research Station). Okeanologiya 3 no.2:313-315 '63. (MIRA 16:4)

1. Chernomorskaya eksperimental'naya nauchno-issledovatel'skaya stantsiya Instituta okeanologii AN SSSR.
(Pipettes) (Soil mechanics)

1. PRGKOPTSOV, I.
2. USSR (600)
4. Solder and Soldering
7. Rewinding the soldering iron. Radio No. 1, 1953.

9. Monthly List of Russian Accessions, Library of Congress, May 1953. Unclassified.

PROKOP'YEV, A., uchitel' sel'skoy shkoly (g. Tisul', Kemerovskoy oblasti)

On rural roads. Za rul. 18 no.8:4-5 Ag '60. (MIRA 13:9)
(Motorcycles)

KUCHKO, I.I., inzh.; PROKOP'YEV, A.I., inzh.

Improvement in rolling systems and in the grooving of shaped tractor shoe bars. Stal' 24 no.10:901-905 0 '64.

(MIRA 17:12)

1. Kuznetskiy metallurgicheskiy kombinat.

4

I 3778-66 EWT(m)/EWA(m)-2 IJP(c) GS
ACCESSION NR: AT5007965

S/0000/64/000/000/0932/0936

49
43
5+1

AUTHOR: Vodop'yanov, F. A.; Zhukovskiy, L. S.; Zaimanzon, V. B.; Ivanov, Yu. S.;
Izergina, Ye. V.; Kuz'min, A. A.; Prokop'yev, A. I.; Temkin, A. S.; Rubchinskiy,
S. M.

TITLE: System for the generation of the accelerating field of a 70-Gev proton
synchrotron 19

SOURCE: International Conference on High Energy Accelerators. Dubna, 1963.
Trudy. Moscow, Atomizdat, 1964, 932-936

TOPIC TAGS: high energy accelerator, synchrotron, particle beam, magnetic field

ABSTRACT: After the development of a high-precision system of frequency control of
the accelerating field of the proton 50-60 Gev synchrotron with critical energy
compensation (Mints, A. L., et al., Proc. International Conference on High Energy
Accelerators and Instruments, CERN 1959), it was decided to achieve an alternative
accelerator with transition through the critical energy, which makes it possible to
increase the energy to 70 Gev. In this modification of the accelerator serious dif-
ficulties are encountered with the realization of a system for generating an acce-
lerating field with frequency control only according to the H-program. Therefore,

Card 1/3