

POPOV, V.V.; FARBEROV, A.I.

Electroretinogram of the irradiated eye and induction of the
cornea. Izv. AN SSSR. Ser. biol. 27 no.1:102-105 Ja-F '62.
(MIRA 15:3)

1. Chair of Embryology, Moscow State University.
(CORNEA TRANSPLANTATION)
(RADIATION--PHYSIOLOGICAL EFFECT)

POPOV, V.V.; KUSTAREV, V.M. [deceased]

Formation of the cornea from skin subjected to the action of heat.
Biul.eksp.biol.i med. 54 no.7:88-90 J1 '62. (MIRA 15:11)

1. Iz kafedry embriologii (zav. - prof. V.V.Popov) Moskovskogo
gosudarstvennogo universiteta imeni Lomonosova. Predstavlena
deystvitel'nym chlenom AMN SSSR N.N.Zhukovym-Verezhnilovym.
(SKIN GRAFTING) (CORNEA)

POPOV, V.V.; AL'-SAKINI, A.V.

Significance of retinal ganglion cells for the development of
the crystalline lens. Dokl. AN SSSR 142 no.6:1420-1423 F
'62. (MIRA 15:2)

1. Moskovskiy gosudarstvennyy universitet im. M.V.Lomonosova.
Predstavleno akademikom Ye.N.Pavlovskim.
(Crystalline lens)
(Retina)

35732
S/020/62/143/002/019/022
B144/B138

77.2400

AUTHOR: Popov, V. V.

TITLE: Provocation of radiation cataract by traumatism of the irradiated crystalline lens

PERIODICAL: Akademiya nauk SSSR. Doklady, v. 143, no. 2, 1962, 441 - 443

TEXT: The inhibition of backrotation and the destruction of inverted lenses of tadpoles were examined previously by the author. The latter phenomenon has been attributed to a "surgical aftereffect". Because of its importance for human medicine this effect is now studied in frogs and mice. 49 frogs were irradiated in a PVD(RUD) x-ray apparatus (100 kv, 20 ma) with 1000, 2000, and 4000 r, and 30 mice with 350 r. 2 days later a lens dissection was made in one eye. The other eye served as a control. Lens dissections were also made in nonirradiated animals. The beginning and intensity of cataract development was found to be dependent on irradiation doses and animal species, 4000 r causing the maximum effect. In all tests the nonoperated eye was clinically unaffected for 20 days. In general, operated lenses of nonirradiated animals showed only temporary opacity;

Card 1/2

POPOV, V.V.; PANTELEYEV, E.I.

Relation between the ganglial layer of the retina and the
regeneration of the crystalline lens from its residue. Dokl.
AN SSSR 150 no.5:1164-1167 Je '63. (MIRA 16:8)

1. Moskovskiy gosudarstvennyy universitet im. M.V.Lomonosova.
Predstavleno akademikom V.N.Shaposhnikovym.
(CRYSTALLINE LENS) (RETINA) (REGENERATION (BIOLOGY))

POPOV, V.V.; GOLICHENKOV, V.A.

Resistance of the crystalline lens of the newt to radiation
and traumatizing actions. Nauch. dokl. vys. shkoly; biol.
nauki no.3:82-86 '64 (MIRA 17:8)

1. Rekomendovana kafedroy embriologii Moskovskogo gosudarstven-
nogo universiteta.

ACCESSION NR: AP4019986

S/0020/64/154/006/1458/1461

AUTHORS: Golichenkov, V.A.; Popov, V.V.; Vsevolodov, E.B.

TITLE: Data on experimental radiation cataracts in frogs

SOURCE: AN SSSR. Doklady, v. 154, no. 6, 1964, 1458-1461

TOPIC TAGS: radiation cataracts, simple radiation cataracts, accelerated radiation cataracts, crystalline lens, cell migration, cell degeneration, cataract formation, hibernation period, cell mitosis, eye radiation injury

ABSTRACT: The formation of the cataracts can be accelerated by slight injury to the irradiated crystalline lens. Minimal and maximal radiation values were found at 500 and 10-15,000 roentgen respectively causing either slight or "lightning" cataracts after 3-7 days and 0.5-2 hours respectively. The study comprised accelerated as well as simple radiation cataracts, their similarities and differences, in 200 specimens of *Rana temporaria* (150 studied histologically). Experimental conditions such as temperature, radiation source and equipment, and preparation of histological material,

Card 1/3

ACCESSION NR: AP4019986

are described. No cataracts were found in frogs irradiated at hibernating time, even in those which succumbed to the radiation sickness, while frogs irradiated in spring and summer developed simple cataracts although radiation mortality was reduced. Such seasonal difference seems related to the absence of mitosis in the frontal lens epithelium during hibernation time. The earliest histological sign of cataract formation was seen in migration of anterior epithelial cells to posterior location and swelling of the crystal epithelium followed by disappearance of epithelial parts. Atypical cell differentiation and degeneration were observed. Such development, while earlier and more pronounced, resembles that of similar radiation injury in mammals. Accelerated cataract formation, however, never involved accelerated destruction of anterior cells. This implies the presence of 2 structural components, and therefore 2 trigger mechanisms, the first depending on mitotic activity, the second, stronger one, on the trauma. Accordingly, 500 roentgen with trauma caused cataracts within a few days, while 1000-1200 roentgen without trauma left the crystalline lens intact.

Card 2/3

ACCESSION NR: AP4019986

Orig. art. has 4 figures.

ASSOCIATION: Moskovskiy gosudarstvennyy universitet im. M.V.
Lomonosova (Moscow State University)

SUBMITTED: 22Jul63

DATE ACQ: 23Mar64

ENCL: 00

SUB CODE: CH

NO REF SOV: 010

OTHER: 010

Card 3/3

FARBEROV, A.I.; SOKOLOVA, Z.A.; POPOV, V.V.

Effect of γ -ray irradiation on the retina of grass frog.
Radiobiologiya 5 no.2:319-320 '65. (MIRA 18:12)

1. Moskovskiy gosudarstvennyy universitet imeni Lomonosova.

GOLOUBENKOV, V.I. (1907-1971)

Genealogy of the Goloubenkovs in the Republic of Paris
Genealogy of the Goloubenkovs in the Republic of Paris
Genealogy of the Goloubenkovs in the Republic of Paris
50 166. (MIRA 19:1)

1. Genealogy of the Goloubenkovs in the Republic of Paris
Genealogy of the Goloubenkovs in the Republic of Paris
Genealogy of the Goloubenkovs in the Republic of Paris

POPOV, V.V.

Calculation of continuous multicomponent rectification as a problem
for mathematical programming. Khim. i tekhn. topl. i masel 9
no.12:38-39 D '64. (MIRA 18:2)

POFOV, V.V., and MEDVEDEV, D.V.

Measures Taken to Increase the Hydrometeorological Effectiveness of Field-Protective Forest Belts. Soobshch. in-ta lesa AN SSSR, No 1, 1953, 77-81

Field-protective forest belts, created in a number of regions of the steppe zone of the European part of the USSR in 1931-1941, were of the openwork (skeleton) and blow-through types, but at the present time have been mostly converted to the nonblow-through type in consequence of the absence of necessary caretaking measures and unfortunate selection of tree varieties. The author concludes that it is necessary to introduce rapidly growing plants in place of dense shrubs and bushes. (RZhGeol, No 1, 1954)

SO: W-31128, 11 Jan 55

USSR / Forest Science. Forest Cultures.

K-4

Abs Jour : Ref. Zhur - Biologiya, No 17, 1958, No. 77538

Author : Gusova, A. N.; ~~Popov, V. V.~~
Inst : Forest Institute AS USSR
Title : History of Creation and Condition of Plantations of the
Derkul' Stations for Shelterbelt Forest Cultivations

Orig Pub : Tr. In-ta lesa AN SSSR, 1956, 30, 7-31

Abstract : The presence is noted of a great quantity of plantations of the IV-V quality classes and of plantations of poor and short-lived species, as well as mass drying of stands 45-50 years old, as a result of unsatisfactory management of the farm. For the cultivations of shelter plantations with oak predominating, a series of agroengineering methods and forest management improvements is recommended.

Card 1/1

POPOV, V.V. Doc Agr Sci -- (diss) " Scientific bases ^{for} ~~of~~ the
cultivation of broad-~~leaved~~^{leaved} plantings in the northern forest -
steppe^s ~~region~~." Mos, 1957. 31 pp 21 cm. (Inst of Forestry,
Acad Sci USSR.) ¹¹⁰~~100~~ copies. Bibliography: pp 30-31 (10 names)
(KL, 23-57, 114)

~~96~~

88

POPOV, Vasil'y Vasil'yevich; KAPPER, O.G., red.; POLUNICHEV, I.A., red.
izd-va; BRATISHKO, L.V., tekhn.red.

[Establishing high-yielding plantations in the forest-steppe]
Formirovanie vysokoproduktivnykh nasazhdenii v lesostepi.
Moskva, Goslesbumizdat, 1958. 81 p. (MIRA 13:1)
(Forests and forestry)

Country : S S R K
CATEGORY : Forestry, Forest Biology and Typology.

ABST. JOUR. : ZZhiv., No. 2, 1959, No. 6136

AUTHOR : Polov, V.V.
INST. : Forestry Institute Acad. Sci. USSR
TITLE : Laws of Growth and Fertilization of Oak Woods
in the Northern Forest Steppe.

ORIG. PUB. : Sovetsk. In-to Lesa AN SSSR, 1956, 77p. 10,
1-15

SUMMARY : The characteristics of the condition and
formation of oak woods in the northern
forest-steppe are reported on the basis of
research findings made at Tai' National
Forest. Considering the composition of the
tree stands and the habitat conditions,
the oak woods occur in five commercial oak
grove types: maple-linden-sedge, ash-linden-
hickory goutweed, maple-linden-bishop's yew-
wood, maple-linden-mixed grasses and linden-

CARD: 1/5

WIKIY :
WIKIY :

REF. JOUR. : Zhurnal, No. 4, 1951, pp. 117-120

SPHOR :
WIKIY :
WIKIY :

CRIN. PUB. :

ABSTRACT : Crown differentiation; the fourth by the
lack variability in the composition of the
stands and the greatest fruiting; the fifth
by age and large-scale dying off of the
trees. Each stage is peculiar not only in
the structure and composition of the tree
stands, but in the direction and specific ac-
tivities of the forest management measures as
well. On the basis of the established regular-
ities, a system of forestry methods has

CLASS: 4/5

COUNTRY :
CATEGORY :

ABS. JOUR. : RZhSov. No. 2, 1959, No. 6156

AUTHOR :
TITLE :
SUBJECT :

ORIG. PUB. :

ABSTRACT : have worked out which will make it possible
to cultivate plantations with a productivity
above the II locality class.-- Dal. Seriyshir

REF:

AL'BENSKIY, A.V., red.; NIKITIN, P.D., red.; RASTORGUYEV, L.I., red., kand.
sel'khoz. nauk; IVANOV, A.Ye., red.; SELEZNEV, A.V., red.;
SENKEVICH, A.A., kand. sel'khoz. nauk, red.; GORIN, T.I., red.;
POPOV, V.V., red.; DEBELYY, A.S., red.;

[Collection of scientific research papers] Sbornik nauchno-
issledovatel'skikh rabot. Stalingrad, 1959. 46 p.

(MIRA 16:8)

1. Vsesoyuznyy nauchno-issledovatel'skiy institut agrolesome-
lioratsii.

(Forestry research)

POPOV, V.V.

Concerning G.A. Mavlianov's monograph "Genetic types of
loess and loess type soils in the central Asia." Uzb.
geol. zhur. no.6:70-72 '59. (MIRA 13:6)
(Soviet Central Asia--Loess)

DERYABIN, Dmitriy Ivanovich, kand.sel'skokhoz.nauk; POPOV, V.V., red.;
SVETLAYEVA, A.S., red.izd-va; PARAKHINA, N.L., tekhn.red.

[Methods of reconstructing newly afforested areas] Sposoby
rekonstruktsii molodykh lesonasazhdenii. Moskva, Goslesbum-
izdat, 1960. 64 p. (MIRA 13:5)
(Afforestation)

POPOV, Vasilii Vasil'yevich; TIMOFEYEV, V.P., prof., doktor sel'skokhoz.
nauk, otv.red.; FORTUNATOV, I.K., red.izd-va; UL'YANOVA, O.G.,
tekhn.red.

[Scientific principles underlying the raising of broadleaf forests
in the northern forest steppe] Nauchnye osnovy vyrashchivaniia
shirokolistvennykh nasazhdenii v severnoi lesostepi. Moskva,
Izd-vo Akad.nauk SSSR, 1960. 316 p. (MIRA 13:5)
(Afforestation)

SAVIN, Yevgeniy Nikolayevich; POPOV, V.V., doktor sel'khoz. nauk,
otv. red.; FORTUNATOV, I.K., red. izd-va; DOROKHINA, I.N.,
tekhn. red.

[Regeneration of inferior plantations on southern Chernozem
soils in the European part of the U.S.S.R.] Rekonstruktsiia
malotsenrykh nasazhdenii na iuzhnykh chernozemakh Evropeiskoi
chasti SSSR. Moskva, Izd-vo Akad. nauk SSSR, 1962. 166 p.
(MIRA 15:5)

(Afforestation)

(Chernozem soils)

POPOV, V.V.; MOLOKANOV, Ya.K.; OVERTCHINSKIY, B.I.

Use of electronic computers in the calculation of continuous
rectification processes of binary mixtures. *Khim. i tekhn.*
topl. i masel 10 no.10:39-45 O '65. (MIR 12:10)

SHEVCHENKO, G.I., kand. tekhn. nauk, dotsent; POPOV, V.V., aspirant; IKONIN,
Yu.P., inzh.

Transistorized frequency converter. Trudy MEI 55:45-52 '65.
(MIRA 18:10)

BURDELEV, T.Ye., prof., dokt. veter. nauk; ZHIL'TSOV, V.G.,
dots., kand. veter. nauk; POPOV, V.V., dots., kand.
veter. nauk, retsenzent; DREVLYANSKAYA, N.I., red.

[Laboratory manual on veterinary medicine] Praktikum po
veterinarii. Moskva, Kolos, 1964. 226 p.

(MIRA 18:7)

1. Khar'kovskiy zooveterinarnyy Institut (for Popov).

GOLICHENKOV, V.A.; POPOV, V.V.; VSEVOLODOV, E.B.; KOZLOV, V.A.

Protective action of β -mercaptopyramine against radiation injury of the crystalline lens exacerbated by trauma. Radiobiologia 4 no.4:587-592 '64. (MIRA 17:11)

1. Moskovskiy gosudarstvennyy universitet imeni Lomonosova.

POPOV, V.V.; MELIKHOVA, G.I.; ERSHOV, Ya.S.

Connection between some physicochemical changes in irradiated skin
and its capacity for a rapid transformation into the cornea. Dokl.
AN SSSR 165 no.1:241-244 N '65. (MIRA 18:10)

1. Moskovskiy gosudarstvennyy universitet. Submitted December 23,
1964.

GRUMIOVA, Z.A.; POPOV, V.V.

Natural reproduction in the old felling areas of the fir-dominant forests in the northwestern part of the Eastern Sayan Mountains. [Trudy]STI 35 :63-72 '63 (MIRA 18:2)

POPOV, V.Ya., kand. tekhn. nauk

Damping the noise of gear transmissions. Mashinostroitel' no.8:
37-38 Ag '63. (MIRA 16:10)

POPOV, Vladimir Vasil'yevich; TROITSKIY, Mikhail Dmitriyevich;
ZHARBIN, Mikhail Isaakovich; SERGEYEVA, A.I., inzh.
red.; KHITROV, P.A., tekhn.red.

[Maintenance of wooden ties] Ukhod za dereviannymi
shpalami. Moskva, Gos.transp.zhel-dor.izd-vo, 1959.
126 p. (MIRA 13:1)

(Railroads--Ties)
(Railroads--Maintenance and repair)

POPOV, V.V., inzhener.

Installation of auxiliary ship mechanisms with the aid
of rapidly hardening plastics. Sudostroenie 22 no.10:35-
36 0 '56. (MLRA 10:2)

(Ships--Equipment and supplies)
(Plastics)

Translation from: Referativnyy zhurnal, Geologiya, 1957, Nr 12,
p 44 (USSR) 15-1957-12-17006

AUTHORS: Popov, V. V., Rezanov, I. A.

TITLE: Neotectonics in Tyan'-Shan' and Their Relation to Its
Seismic Activity (O neotektonike Tyan'-Shanya v svyazi s
yego seysmichnost'yu)

PERIODICAL: Vopr. geologii Azii, Nr 2, Moscow, Izd-vo AN SSSR,
1955, pp 408-437

ABSTRACT: Bibliographical entry

Card 1/1

POFOV, V.V.

Engineering and geological criteria in establishing de-
tailed seismic regions. Trudy Inst.fiz.zem. no.5:81-93
'59. (MIRA 13:6)

(Seismology)

POPOV, V.V.; CHERNYAVKINA, M.K.

Some results of observations on deformations of the earth's
surface at the "Yalta" Geophysical Station. Izv. AN SSSR. Ser.
geofiz. no.7:1005-1012 J1 '60. (MIRA 13:7)

1. Akademiya nauk SSSR, Institut fiziki Zemli.
(Earth—Surface)

POPOV, V.V.

Thermal deformations of the earth's surface. Izv. AN SSSR.
Ser.geofiz. no.7:913-921 J1 '60. (MIRA 13:7)

1. Akademiya nauk SSSR, Institut fiziki Zemli.
(Earth--Surface) (Earth temperature)

DENISOV, Nikolay Yekovlevich, prof., doktor geologo-mineral.nauk;
POPOV, V.V., prof., ratsenent; NECHAYEV, B.I., dotsent, nauchnyy
red.; BORSHCHEVSKAYA, N.M., red.izd-va; TEMKINA, Ye.L., tekhn.red.

[Engineering geology] Inzhenernaia geologiya. Moskva, Gos.izd-vo
lit-ry po stroit., arkhit. i stroit.materialam, 1960. 403 p.
(MIRA 13:9)

(Engineering geology)

s/519/60/000/008/007/031
D051/D113

AUTHOR: Popov, V.V.

TITLE: The role of geological engineering conditions in close seismic zoning

SOURCE: Akademiya nau. SSSR. Sovet po seysmologii. Byulleten', no. 8, Moscow, 1960. Voprosy seysmicheskogo rayonirovaniya, " -87

TEXT: The author expounds the principles of close seismic zoning, insisting in particular on the role of geologic engineering conditions in this field. He exemplifies the method with maps compiled by him in 1946 for Gori and the surrounding district. Soviet maps of seismic zoning can be classified as follows: (1) Small-scale maps (1:2500000 to 1:2500000 and less) which are represented by the map of seismic zoning of 1957 and earlier, maps compiled by S.V. Medvedev and G.P. Gorshkov of the Institut Fiziki Zemli AN SSSR (Institute of Physics of the Earth, AS USSR); (2) medium-scale maps (1:50000 to 1:200000, sometimes up to 1:500000 - 1:1000000) which were compiled for

Card 1/4

S/519/60/000/008/007/031
D051/D113

The role of geological ...

Turkmenia (1:200000) by B.A. Petrushevskiy, I.A. Rezanov and others, and for the Caucasus (1:1000000) by I.V. Kirillova and A.A. Sorskiy; (3) small-scale maps (1:1000 - 1:25000, more frequently 1:10000). Maps of this kind, which are intended for industrial and town planning, were compiled by L.O. Tsshokher for Baku, Tashkent, Irkutsk, etc., by V.V. Popov for Alushta, Gori etc., by S.V. Medvedev for Ashkhabad, Alma-Ata, Frunze, Stalinabad, and by A.N. Safaryan for Tbilisi, Gori, etc. The author considers that in contrast to large and medium-scale seismic mapping the compilation of close seismic zoning maps is unsatisfactory. On the basis of corresponding research, individual detailed maps should be compiled reflecting the geological geomorphological, present tectonic and hydrogeological characteristics of a locality. Detailed maps of geologic engineering should mark regions differing in the seismic resistivity of the rocks, erosion, landslides, karst, etc. Other maps should show geological profiles and damage caused by earthquakes. First of all, close seismic zoning must be based on the study of such natural conditions of a region as relief, flooding, tectonic fissures, etc. This study must be related to that of seismological data, the thickness of the ground, flooding phenomena in conjunction with the character of the re-

Card 2/4

S/519/60/000/008/007/031
D051/D113

The role of geological ...

lief, etc. In accordance with detailed geological engineering conditions, the increase in seismic intensity is established. If the ground water level is more than 10 m deep, no correction to the intensity increase will be made; however, when this level is less than 5 m deep the correction varies from 0.2 to 1.0. For the compilation of maps of close seismic zoning, detailed geologic profiles accompanied by a graph of seismic intensity are very useful. As a result of studying the damage caused by the 1920 and 1940 earthquakes in Gori, the author succeeded in graphically illustrating the change in earthquake intensity. The method is based on fixed values for "ground" coefficients of rocks of different composition. During recent years, S.V. Medvedev, A.Z. Kats, and S.V. Puchkov tried to establish the increase in seismic intensity in accordance with observations of weak earthquakes using instruments. As it is impossible to consider all factors of geological engineering conditions for determining seismic intensity, the author gives in tabulated form a selection of these conditions, which will suffice for preliminary estimations. The table which also contains data supplied by S.V. Medvedev shows ten groups of rocks with seismic intensity increments from 0


Card 3/4

S/519/60/000/008/007/031
D051/D113

The role of geological ...

to 6.0. Some information on the necessity of establishing the seismic conductivity and resistivity of rocks is given. There are 3 figures, 1 table and 9 references: 7 Soviet and 2 non-Soviet references.

ASSOCIATION: Institut fiziki Zemli AN SSSR (Institute of Physics of the Earth of the AS USSR)



Card 4/4

POPOV, V.V.

Quaternary stratigraphy of the Tien Shan. Trudy GIN no.26:116-126
'60. (MIRA 13:12)

(Tien Shan--Geology. Stratigraphic)

POPOV, V.V.

Study of the Quaternary period in Central Asia. Trudy Kom.chetv.-
per. no.26:177-180 '61. (MIRA 15:3)
(Soviet Central Asia--Geology, Stratigraphic)

POPOV, V. V.

"A Faunistic Summary of Fleas and Gamasid Ticks which Infest Small Mammals in Tyumen' Oblast'."

Tenth Conference on Parasitological Problems and Diseases with Natural Reservoirs, 22-29 October 1959, Vol. II, Publishing House of Academy of Sciences, USSR, Moscow-Leningrad, 1959.

Tyumen' Sanitation and Epidemiological Station

POPOV, V. V.

"Material on Tabanidae Flies in the Forest Steppe Zone of Tyumen'
Oblast'."

Tenth Conference on Parasitological Problems and Diseases with Natural
Reservoirs, 22-29 October 1959, Vol. II, Publishing House of Academy of
Sciences, USSR, Moscow-Leningrad, 1959.

Tyumen' Sanitation and Epidemiological Station

POPCV, V.V.

Horseflies (Tabanidae) of Tyumen' Province. Zool.zhur. 41
no.1:101-109 Ja '62. (MIRA 15:4)

1. Department of Especially Dangerous Infections of the Tumen
Regional Sanitary Epidemiological Station.
(Tyumen' Province--Horseflies)

POPOV, V.V.

Geological and structural control of complex metal deposits
and geological prerequisites for prospecting in the Leninogorsk
region (Rudnyy Altai). Izv.vys.ucheb.zav.;geol.i razv. 4 no.10:
92.101 0 '61. (MIRA 14:12)

1. Moskovskiy gosudarstvennyy universitet ineni Lomonosova.
(Leninogorsk region--Ore deposits)
(Prospecting)

MEDVEDEV, S. V.; BUNE, V. I.; GZELISHVILI, I. A.; KARAPETYAN, B. K.;
KATS, A. Z.; LYAMZINA, G. A.; PIRUZYAN, S. A.; POPOV, V. V.;
SAMKOV, B. N.; SHAGINYAN, S. A.

Instructions on conducting seismic microzoning. Trudy Inst. fiz.
Zem. no.22. Vop. inzh. seism. no.7:112-122 '62.
(MIRA 15:10)

(Seismology)

FUS'KOV, V.V.; POPOV, V.Y. redaktor; SHAMAROVA, T.A., redaktor; SHELNSKIY,
I.A., tehnicheskiy redaktor [deceased]

[Technology of map publishing] Tekhnologiya izdaniia kart. Moskva,
Izd-vo geodesicheskoi lit-ry, 1954. 374 p. (MLRA 8:2)
(Cartography)

POPOV, V.V.

Obshchii kurs poligrafii (General course in polygraphy).
Chetvert. ispr. i dopol. izd. "Iskusstvo," Moskva, 1952, 504 p.

SO: Monthly List of Russian Accessions, Vol. 6, No. 1, April 1953

POFCV, Vasilij Vasil'evich.

General course in printing; textbook: Moskva, Iskusstvo, 1954. 528 p.
(35-35661)

Z244.F78 1954

1. Printing, Practical.

POPOV, V.V. (Moscow)

Anniversary publications of the "Atlas" printing and lithographing
plant. Poligr.proizv. no.3:9-10 My-Je '54. (MLRA 7:8)
(Lvov--Printing plants) (Printing plants--Lvov)

POPOV, V.V.; TRYAPITSYN, V.A.

"Hymenoptera; introduction and keys to families" [in English] by
O.W. Richards. Reviewed by V.V. Popov, V.A. Triapitsyn. Ent. oboz.
38 no.3:710-713 '59. (MIRA 13:1)
(Great Britain--Hymenoptera)
(Richards, O.W.)

PHASE I BOOK EXPLOITATION SOV/3596

Popov, Vasilii Vasil'yevich, Professor

Uravnoveshivaniya poligonov (Adjustment of Polygons) 9th ed. Moscow, Geodez-izdat, 1958, 159 p. Errata slip inserted. 5,000 copies printed.

Ed.: N.I. Modrinskiy; Ed. of Publishing House: V.I. Vasil'yeva;
Tech. Ed.: V.V. Romanova.

PURPOSE: This book is intended for surveyors, engineers, and technicians engaged in geodetic work. It may also be used by students at schools of higher education.

COVERAGE: This book describes the application of the method of polygons and junctions to the adjustment of elevations in leveling nets, and to the adjustment of angles and coordinates in traverses and nets of theodolite survey polygons. These techniques lead to the same results as those obtained by the method of least squares. A unique feature of the adjustment method is the fact that the normal equations are formulated directly from a schematic drawing of the

Card 1/3

SOV/3596

Adjustment of Polygons

net without a preliminary formulation of initial or conditional equations. Methods are illustrated by a large number of examples. No personalities are mentioned. References appear as footnotes.

TABLE OF CONTENTS:

Preface

	3
Ch. I. Method of Polygons	
1. Adjustment of angles and elevations in an individual polygon	5
2. Adjustment of a free leveling net	8
3. Adjustment of angles in a free net of polygons	13
4. Adjustment of coordinates in a free net of polygons	20
5. Solution of equations by successive approximations	22
6. Immediate solution of normal equations by a simplified scheme	37
7. Solution of equations by approximation formulas	43
8. Proof of the rigor of adjustment by approximation formulas	61
9. Application of the method of polygons to the adjustment of a nonfree net	65

Card 2/3

SOV/3596

Adjustment of Polygons

- 10. Application of the method of polygons to the adjustment of the results of geodetic leveling 74
- 11. Adjustment of computations and evaluation of accuracy 79

Ch. II. Method of Junctions

- 12. The essence of the method of junctions. Formulating normal equations directly by a net drawing 89
- 13. Finding corrections by means of successive approximations 90
- 14. Direct solution of normal equations 112
- 15. Solution of normal equations by approximation formulas 113
- 16. Application of the method of junctions to an adjustment of the results of geodetic leveling 119

Ch. III. Additional Problems

- 17. Rigorous adjustment of a traverse path 127
- 18. Selecting a method of adjusting the net of polygons 136
- Tables for the multiplication and division of numbers 138

AVAILABLE: Library of Congress

AC/dwm/jb
7-13-60

Card 3/3

POPOV, V.V.

Use of spectrophotometers for the quantitative determination of car-
boxyhemoglobin. Lab.delo 5 no.5:25-30 S-O '59. (MIRA 12:12)

1. Iz kafedry gigiyeny pitaniya i kommunal'noy gigiyeny (zav. - prof.
A.I. Stolmakova) i kafedry biokhimii (zav. - dotsent B.A. Sobchuk)
L'vovskogo meditsinskogo instituta. (SPECTROPHOTOMETRY)
(CARBOXYHEMOGLOBIN)

KRYZHANOVSKIY, O.L.; LIKHAROV, I.M.; POPOV, V.V.; STRELKOV, A.A.; SHTAKEL'BERG,
A.A.

"Invertebrates of the Zeravshan Valley" by R.A. Alimdzhanov,
TS.G. Bronshtein. Reviewed by O.L. Kryzhanovskii and others.

Zool.zhur. 38 no.5:786-791 My '59.

(Zeravshan valley--Invertebrates) (Alimdzhanov, R.A.)
(Bronshtein, TS.G.)

(MIRA 12:7)

1961/3

POPOV, V.V.

DECEASED
c1961

SEE ILC

ENTOMOLOGY

YEVSIKOV, Anatoliy Vasil'yevich; kand.tekhn.nauk; POPOV, Viktor Yakovlevich,
kand.tekhn.nauk; SHIGANOV, V.V., inzh., retsenzent; VOSKRESENSKIY,
N.N., inzh., red.; SAVEL'YEV, Ye.Ya., red.isd-va; TIKHANOV, A.Ya.,
tekhn.red.

[Manufacture and repair of diesel fuel systems] Tekhnologiya
proizvodstva i remonta toplivnoi apparatury dizelei. Moskva.
Gos. nauchno-tekhn.isd-vo mashinostroit.lit-ry. 1958. 305 p.
(MIRA 12:2)

(Diesel engines--Fuel systems--Maintenance and repair)

ABELEVICH, A.A.; ARTEM'YEV, Yu.N.; VLASOV, A.P.; GAL'PERIN, A.S.; YEVSIKOV, A.V.; IVANOV, G.P.; KOROLEV, N.A.; LEVITSKIY, I.S.; LIVSHITS, L.G.; MELKOV, M.P.; HAZAROV, N.I.; NOVIKOV, M.P.; POPOV, V.Ya.; TEPLOV, A.G.; BAKHAREV, A.P., inzh., retsenzent; SAVEL'YEV, Ye.Ya., red. izd-va; MODEL', B.I., tekhn. red.; EL'KIND, V.D., tekhn. red.

[Technological aspects of the repair of crawler vehicles] Tekhnologiya remonta gusenichnykh mashin. Moskva, Gos. nauchno-tekhn. izd-vo mashinostroit. lit-ry 1960. 466 p. (MIRA 14:7)
(Crawler vehicles--Maintenance and repair)

26(4)

POPOV, V. Ya.

sov/1898

PHASE I BOOK EXPLOITATION

Yevsikov, Anatoliy Vasil'yevich and Viktor Yakovlevich Popov, Candidate of Technical Sciences

Tekhnologiya proizvodstva i remonta toplivnoy apparatury dizeley (Methods of Manufacture and Repair of Diesel Engine Fuel Equipment) Moscow, Mashgiz, 1958. 308 p. Errata slip inserted. 5,000 copies printed.

Reviewer: V.V. Shiganov, Engineer; Ed.: N.N. Voskresenskiy, Engineer; Ed. of Publishing House: Ye. Ya. Savel'yev; Tech. Ed.: A. Ya. Tikhanov; Managing Ed. for Literature on General Technical and Transport Machine Building: K.A. Ponomareva, Engineer.

PURPOSE: This book is intended for foremen, mechanics, engineers, and technicians engaged in the manufacture, repair, and operation of Diesel engines.

COVERAGE: The authors discuss the process of manufacturing and reconditioning Diesel engine fuel injection pumps, injection nozzles, unit injectors, fuel supply pumps, and filters. They describe manufacturing techniques from blank making to finishing operations and parts testing, the use of multispindle

Card 1/5

Methods of Manufacture and Repair (Cont.)	sov/1898	
Ch. II. Casting of Steel Parts		
Precision investment casting		18
Shell molding		18
		29
Ch. III. Aluminum Alloy Castings		
Permanent-mold casting		32
Die casting		32
		34
SECTION 2. MACHINING PARTS OF FUEL-INJECTION EQUIPMENT		
Ch. IV. Machining Housing Parts		42
Machining housing for pumps in the DT-54 and KD-35 Diesels		42
Machining housing for the NK pump		54
Machining injection nozzle casing		69
Ch. V. Machining Precision-fitted Parts of Fuel Injection Pumps and Injection Nozzles		74
Component parts of plunger pairs [Plungers and barrels]		95
Component parts of atomizers		111
Component parts of valve pairs [Valves and seats]		128
Card 3/5		

Methods of Manufacture and Repair (Cont.)

SOV/1898

Ch. VI. Machining Component Parts of the Drive for Fuel-injection Pumps	132
SECTION 3. REPAIR OF COMPONENT PARTS OF FUEL EQUIPMENT ASSEMBLY	137
Ch. VII. Methods of Repair	137
Ch. VIII. Cleaning and Washing Parts	172
Ch. IX. Detection of Defects in Parts	176
Ch. X. Repair of Housing Parts	186
Ch. XI. Repairing Parts of the Drive and Regulating Mechanism	195
Ch. XII. Repair of Precision-fitted Parts	209
Ch. XIII. Repair of Piping	227

Card 4/5

ARISTOV, Yuriy Kapitonovich; POPOV, V.Ya., retsenezent;
KRAKOVSKIY, I.I., doktor tekhn. nauk, prof., red.;
VITASHKINA, S.A., red.izd-va; RIDNAYA, I.V., tekhn.
red.

[Auxiliary mechanisms on ships] Sudovye vspomogatel'-
nye mekhanizmy. Izd.2., ispr. i dop. Moskva, Izd-vo
"Rechnoi transport," 1963. 290 p. (MIRA 16:11)
(Ships--Equipment and supplies)
(Deck machinery)

POPOV, V. Ya., kand. tekhn. nauk; TARTAKOVSKIY, I. B., kand. tekhn. nauk

Means for reducing temperature errors in measurements. Vest.
mashinostr. 42 no.12:47-50 D '62. (MIRA 16:1)

(Mensuration)

BAKHTIAROV, N.I.; LOGINOV, V.Ye.; POPOV, V.Ya., kand. tekhn. nauk, dots.,
retsenzent; UVAROVA, A.F., tekhn. red.

[Technological processes of the machining of precision pairs]
Tekhnologiya obrabotki pretsizionnykh par. Moskva, Mashgis,
1963. 286 p. (MIRA 16:8)
(Metal cutting)

MIKHALIN, G.I.; ~~POPOV, V. Ya.~~ kand. tekhn. nauk, retsenzent;
BULATOV, S.I., inzh., red. izd-va; EL'KIND, V.D., tekhn.
red.

[Manual for the repair and assembly of stationary diesel
engines] Spravochnik мастера po remontu i montazhu statsio-
narnykh dizelei. Moskva, Mashgiz, 1963. 247 p.

(MIRA 16:9)

(Diesel engines--Maintenance and repair)

MELKOV, M.P.; POPOV, V.Ya., redaktor; TAMAROVICH, M.A., redaktor; GURO-
VA, O.A., tekhnicheskiy redaktor.

[Restoration of automobile parts by electrolytic acieration]
Vosstanovlenie detalei avtomobilei elektroliticheskim ostalivanien.
Moskva, Isd-vo Ministerstva kommunal'nogo khoziaistva BSFSR, 1954.
162 p. (MLRA 8:1)
(Automobiles--Repairing) (Electroplating)

POPOV, V.Ya.

ARISTOV, Yuriy Kapitonovich; POPOV, V.Ya., retsenzent; KOLICHENKO, K.N.,
retsenzent; KOMOGORTSEV, P.Ya., red.; KBERLIN, K.Z., red. izd-va;
TSVETKOVA, S.B., tekhn. red.

[Auxiliary machinery of ships] Sudovye vspomogatel'nye mekhanizmy.
Moskva, Izd-vo "Rechnoi transport," 1958. 273 p. (MIRA 11:7)
(Ships—Equipment and supplies)

P. P. S. V. YA.
POPOV, V. Ya., kandidat tekhnicheskikh nauk; YEVSNIKOV, A. V., kandidat
~~tekhnicheskikh nauk~~; MOTORNYI, V. I., redaktor, kandidat tekhnicheskikh nauk; UVAROVA, A. F., tekhnicheskii redaktor.

[Operation and repair of Diesel fuel apparatus] Eksploatatsiia
i remont toplivnoi apparatury dizelei. Moskva, Gos. nauchno-tekhn.
izd-vo mashinostroitel'noi lit-ry, 1955. 135 p. [Microfilm]
(Diesel engines) (MLRA 8:9)

LIVSHITS, Moisey L'vovich; POPOV, V. Ya., kand. tekhn. nauk, retsезent;
MORGULIS, Yu. B., kand. tekhn. nauk, red.; SAVEL'YEV, Ye. Ya.,
red. izd-va; ZL'KIND, V. D., tekhn. red.

[Operation and repair of internal combustion engines] Tekhni-
cheskaya ekspluatatsiya i remont dvigatelei vnutrennego sgo-
ranija. Moskva, Gos. nauchno-tekhn. izd-vo mashinostr. lit-ry.
1959. 149 p. (MIRA 12:10)
(Diesel engines--Maintenance and repair)

POPOV, Vyacheslav Yakovlevich; POTAPOV, N.S., retsenzent; KRUTIN, G.I.,
retsenzent; MYASNIKOV, N.V., red.; KUZOVLEV, V.A., red.;
SHLENNIKOVA, Z.V., red. izd-va; YERMAKOVA, T.T., tekhn. red.

[Marine engines] Sudovaia mekhanika. Moskva, Izd-vo "Rechnoi
transport," 1959. 386 p. (MIRA 12:10)
(Marine engineering)

POPOV, V. YA.

Reconditioning of the fuel system of diesels, Moskva, Voen. izd-vo, 1952. 242 p. (53-25952)

TJ795.P557

1. POPOV, V.YA.
2. USSR (600)
4. Technology
7. Reconditioning the fuel apparatus of Diesels. Moskva, Voenizdat. 1952

9. Monthly List of Russian Accessions, Library of Congress, March, 1953. Unclassified.

POPOV, V.Ya., kand. tekhn. nauk; TEPLOV, A.G., kand. tekhn. nauk.

Modern techniques for repairing machine parts. Vest. mash. 37 no.8:
73-76 Ag '57. (MLRA 10:9)

(Machine-shop practice)

POPOV, V Ya

Doc
R92342

Ekspluatatsiya i remont toplivnoy apparatury dizeley (Operation and repair of fuel apparatus of diesels, by) V. Ya. Popov (i) A. V. Yevskhov.
Moskva, Mashgiz, 1955.
135 (2) p. illus., diagrs., tables.
Bibliography: p. (137)

Popov, Viktor Yakovlevich

VORONTSOV, Ivan Aleksandrovich; YMVSIKOV, Anatoliy Vasil'yevich; POPOV,
Viktor Yakovlevich; TARTAKOVSKIY, Il'ya Borisovich; YEGORKINA,
E.I., inzhener, redaktor; SOKOLOV, I.P., inzhener, retsenzent;
POPOVA, S.M., tekhnicheskiiy redaktor

[Technology of repairing diesel engines (Models B2-300 and D6)]
Tekhnologiya remonta dizelei (tipa V2-300 i D6). Moskva, Gos.
nauchno-tekhn. izd-vo mashinostroitel'noi lit-ry. 1956. 335 p.
(Diesel engines--Repairing) (MIRA 9:3)

VORONTSOV, Ivan Alekseyevich; YEVSIKOV, Anatoliy Vasil'yevich; POPOV, Viktor Yakovlevich; TARTAKOVSKIY, Il'ya Borisovich; YEFREMOV, V.V., doktor tekhn. nauk, prof., retsenzent; BASENTSYAN, A.A., inzh., red.; EL'KIND, V.D., tekhn. red.

[Techniques and equipment for repairing V2-300 and D6 high-speed diesel engines] Tekhnologiya remonta bystrokhodnykh dizelei tipa V2-300 i D6. Izd.2., dop. i perer. Moskva, Gos. nauchno-tekhn. izd-vo mashinostroit. lit-ry, 1961. 467 p. (MIRA 14:11)
(Diesel engines--Maintenance and repair)

1. POPOV, V. YE. and LIBIN, B. L. and FEDOTOV, I.M.
2. USSR (600)
4. Agricultural Machinery
7. Mechanization of post-harvest handling of grain seed. Sel.i sem. 19 no. 12, 1952.

9. Monthly List of Russian Accessions. Library of Congress, March 1953, Unclassified.

L 9406-66 EWT(d)/EWT(m)/EWP(w)/EWP(v)/T-2/EWP(t)/EWP(k)/E T(R)/E T(F)/EWP(L)

ACC NR: AP5025209 ETC(m) EM/JD/WH SOURCE CODE: UR/0030/65/000/009/0052/0056

AUTHORS: Kobrinskiy, A. Ye.; Koliskor, A. Sh.; Levkovskiy, Ye. I.; Popov, V. Ye.; Sergeyev, V. I. 48
46
3ORG: Institute of Machine Science, State Committee on Machine Construction under Gosplan SSSR and the Academy of Sciences, SSSR (Institut mashinovedeniya, Gosudarstvennogo komiteta po mashinostroyeniyu pri Gosplane SSSR i Akademii nauk SSSR)TITLE: A self-adjusting system of programmed machine control 11

SOURCE: AN SSSR. Vestnik, no. 9, 1965, 52-56

TOPIC TAGS: self adaptive control, precision finishing, measuring instrument, control equipment, control system

ABSTRACT: Causes of production errors and means of avoiding them in the case of programmed metal parts manufacture are discussed. It is pointed out that many factors having a significant effect on the accuracy and productivity of work processes cannot be entirely accounted for in preliminary process programming and hence must be accounted for in a self-adjusting control system. Examples of the hard-to-control factors are geometric machining errors, heat and elastic deformation of machine units, and others. The principal feature of the self-adjustment mechanism is an "ability" to absorb information on the results of previous work and to make appropriate adjustments in the process control program for succeeding articles. An example is given of a

Card 1/2

L 9406-66

ACC NR: AP5025209

self-adjusting program-controlled cutting device used in the production of blades for turbojet compressors. A sketch of the cutting configuration is shown in Fig. 1.

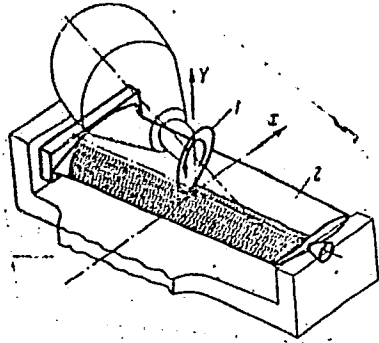


Fig. 1.

The milled piece 1 moves relative to the cutter 2 as directed by a program controlling motion of the cutter along the axes X and Y. The machined article passes from the milling tool shown to a measuring device which evaluates machining errors. From the measurements obtained, signals are generated. These cause adjustments to be made in the program controlling the next stage in the machining process for this article. A description and photographs of the major equipment used in the process are given. Experimental tests of the self-adjustment method resulted in marked reductions in machining errors in the case of the compressor blade cutting. Orig. art. has: 5 figures

SUB CODE: 09, 13/ SUBM DATE: none
Card 2/2 *AD*

METELKIN, I.V.; ~~POPOV, V.Ye.~~; NIKOL'SKIY, V.I.; METELKIN, V.V.; MUKASEYEV, A.A.

Ultrasonic vibration as a means of mechanical machining of various materials. Stan. i instr. 27 no.2:16-19 F '56. (MLRA 9:7)
(Ultrasonic waves--Industrial applications)

POPOV, V.Ia.

History of geological survey maps in Russia. Sbor.nauch.rab.
stud. LGI no.2:3-8 '57. (MIRA 13:4)

1. Leningradskiy ordenov Lenina i Trudovogo Krasnogo Znamen
gornyy institut in. G.V.Plekhanova. Predstavleno dotsentom
V.I.Bodylevskim. Predstavleno dotsentom V.I.Bodylevskim.
(Geology--Maps)

KASPIN, L.A., kand.ekonom.nauk; PAL'M, I.S., starshiy nauchnyy sotrudnik;
KHORIKOV, A.N., starshiy nauchnyy sotrudnik; SHEVCHUK, Yu.I.,
starshiy nauchnyy sotrudnik; AKSENOV, D.G., inzh.; EL'GORT, Ye.G.
Prinimali uchastiye: KARAKURCHI, M.I., kand.tekhn.nauk;
KUCHERENKO, K.R., kand.tekhn.nauk; PEDAN, M.P., nauch.sotr.; POPOV, V.Ye.,
nauchn.sotr.; GINZBURG, S.M., inzh.; SLIN'KO, B., red.; ZELENKOVA, Ye.,
tekhn.red.

[Economic aspects of the construction of four- and five-story
apartment buildings of large blocks of brick] Ekonomika vozvede-
niia 4-5 etazhnykh zhilykh zdaniy iz krapaykh kirpichnykh blokov.
Kiev, Gos.izd-vo lit-ry po stroit. i arkhitekt. USSR, 1960. 112 p.
(MIRA 14:4)

1. Akademiya stroitel'stva i arkhitektury USSR. Institut organi-
zatsii i mekhanizatsii stroitel'nogo proizvodstva. 2. Sektor
ekonomiki stroitel'nogo proizvodstva Nauchno-issledovatel'skogo
instituta organizatsii i mekhanizatsii stroitel'nogo proizvodstva
Akademii stroitel'stva i arkhitektury USSR (for Kaspin, Pal'm,
Khorikov, Shevchuk, Aksenov, El'gort). 3. Nauchno-issledovatel'skiy
institut konstruksiy (for Karakurchi, Kucherenko). 4. Glavkiyevstroy
(for Ginzburg). 5. Nauchno-issledovatel'skiy institut stroitel'nykh
materialov (for Pedan, Popov).
(Building, Brick)

POPOV, V.Ye.

Special features in the structural control of complex mineralization
of the southern Altai. Sov. geol. 3 no.2:107-114 F '60.
(MIRA 13:11)

1. Vostochno-Kazakhstanskoye geologicheskoye upravleniye.
(Altai Mountains--Geology, Economic)

POPOV, V.Ye.

Method for correlating barren series according to geochemical data
as exemplified by Devonian deposits of the southern Altai. Zap.
IGI 37 no.2:178-187 '60. (MIRA 15:7)
(Altai Territory—Geology, Stratigraphic)

POPOV, V.Ye.

Stratigraphic position of the Korgon-Kumir group of iron ore deposits.
Trudy VSEGEI 60:101-106 '61. (MIRA 15:3)
(Korgon Valley--Iron ores) (Kumir Valley--Iron ores)

POPOV, V.Ye.

Recent data on deposits of the Eifelian stage in the Kholzun,
Korgon, and Tigiretskiy Ranges of the Altai. Dokl. AN SSSR 140
no.3:679-681 S '61. (MIRA 14:9)

1. Predstavleno akademikom D.V.Nalivkinym.
(Altai Mountains--Geology, Stratigraphic)

POPOV, V.Ye., gornyy inzh.; KUDINOV, B.Z., kand.tekhn.nauk; MOLEVA,
N.G., kand.tekhn.nauk; VERMENICHEV, S.A., inzh.

Increase the overall use of ores. Gor.zhur. no.5:76 My '62.
(MIRA 16:1)
(Ural Mountain region—Ore dressing)

POPOV, V.Ye.

Materials on the stratigraphy and facies of Devonian
sediments in the Corgon structural-facies zone of the Altai.
Trudy VSEGEI 74:63-78 '62. (MIRA 15:9)
(Altai Mountains—Geology, Stratigraphic)

POPOV, V.Ye.

Recession regimens of the ancient glaciers of the Altai. Dokl.
AN SSSR 142 no.2:431-434 Ja '62. (MIRA 15:2)

1. Tomskiy gosudarstvennyy universitet im. V.V. Kuybysheva.
Predstavleno akademikom I.P.Gerasimovym.
(Altai Mountains--Glaciers)

POPOV, V.Ye.; NIKOL'SKAYA, Zh.D.; ZELEFUGIN, V.N.

Recent data on the age of the contact-metasomatic iron ore deposits
of the Korgon zone of Gornyy Altai. Dokl. AN SSSR 147 no.3:675-678
N '62. (MIRA 15:12)

1. Vsesoyuznyy nauchno-issledovatel'skiy geologicheskii institut.
Predstavleno akademikom D.V. Malivkinym.
(Korgon region (Altai Territory)—Iron ores)

VASIL'YEV, M.V., doktor tekhn.nauk; POPOV, V.Ye., gornyy inzhener; ALENICHEV,
V.M., gornyy inzhener

Using new tractor and scraper equipment in working ore deposits.
Gor. zhur. no.3:20-26 Mr '63. (MIRA 16:4)

1. Institut gornogo dela Ural'skogo filiala AN SSSR, Sverdlovsk.

POPOV, V.Ye.

Some characteristics of the distribution of minerals in the alluvial
sediments of the Katun Valley. Trudy Kom. oshv.per. 22:88-92 '63.
(MIRA 17:2)

NIKOL'SKAYA, Zh. D.; POPOV, V. Ye.; TROFIMOV, V.A.

History of tectonic development and regionalization in the
Gornyy Altai. Trudy VSEGEI 94:92-120 '63. (MIRA 17:6)

VASIL'YEV, M.V.; V'YUKHINA, A.S.; DORONENKO, Ye.P.; ZEBZIYEV, K.V.,
kand. tekhn. nauk; LATS, V.M.; PARFENOV, G.V.; POPOV,
V.Ye.; TROITSKIY, D.P.; FADDEYEV, B.V.; TSVETAYEVA, Z.N.;
ZUERILOV, L.Ye., kand. tekhn. nauk, otv. red.; MAKAROVA,
N.U., red.; PAL'MIN, M.Z., tekhn. red.

[Evaluation and the prospects of the development of the
mineral resources for ferrous metallurgy in Chelyabinsk area]
Otsenka i perspektivy razvitiia syr'evoi bazy chernoi metal-
lurgii Cheliabinskogo raiona. Sverdlovsk, AN SSSR, 1964. 67 p.
(MIRA 17:4)

IVANOV, S.V.; POPOV, V.Ye.; SHASKOYANKIN, E.V.; SHUSTIN, B.P.

Program controlled four-spindle milling machine. Stan.f instr.
35 no.8:10-12 Ag 1961. (MIRA 1961)

VASIL'YEV, M.V., prof., doktor tekhn. nauk; POPOV, V.Ye.; gornyy inzh.

Using new tractor-type equipment for auxiliary operations
in strip mining. Ugol' 39 no.8:49-52 Ag '64.

(MIRA 17:10)

1. Institut gornogo dela Ural'skogo filiala AN SSSR (for
Vasil'yev). 2. Sredne-Ural'skiy sovet narodnogo khozyaystva
(for Popov).