

GOGOLINSKI, Henryk, mgr.; PIEKARCZYK, Jerzy

Influence of certain properties of dusts on the action of electrostatic dust catcher installations. Rudy i metale 7 no.3:129-135 '62.

1-915-0
PEKARCHIK, K. [Piekarczyk, K.]

Forecasting and information service in Poland. Zashch. rast.
ot vred. i bol. 7 no.9r54-55 S '62. (MIRA 16:8)

1. Zaveduyushchiy laboratoriyey prognozov Instituta zashchity
rasteniy, g.Poznan', Pol'skaya Narodnaya Respublika.
(Poland—Plants, Protection of)

PIEKARCZYK, Krzysztof

The range of the potato beetle. Przegl geogr 34 no.1:75-97
'62.

PIEKARCZYK, Kazimierz, mgr.inz.

Quality analysis of dolomites used by steel plants in Poland based
on new testing methods. Hutnik 29 no.1:5-14, Ja '62.

1. Huta im. Bieruta.

L: 10097-66 EWT(1)/T/EWP(t)/EWP(b) IJP(c) JD/JW/GG
 ACC NR. AP6001926 SOURCE CODE: PO/0053/65/000/012/0598/0601

AUTHOR: Brunsz, R.; Jun, J.; Piekarczyk, W.
 44,55 44,55 44,55

ORG: Institute of Physics, PAN, Warsaw (Instytut Fizyki PAN, Warszawa)
 44,55

TITLE: Preparation of single crystal of calcium fluoride_{v7}

SOURCE: Przegląd elektroniki, no. 12, 1965, 598-601

TOPIC TAGS: calcium fluoride, single crystal

ABSTRACT: Experiments with and apparatus for preparation of single crystals of fluorite (CaF₂) in an induction-heated graphite crucible in nitrogen atmosphere are described. Zone purification was used. Immediately after the crystallization, a crystal relaxation took place. Details of the crystallization furnace are shown in the accompanying figures. Automatic temperature stabilization was achieved by using a photoelectric pyrometer. Good quality, practically stress-free crystals were obtained. Orig. art. has: 3 figures.

SUB CODE: 11, 20 / SUBM DATE: none / ORIG REF: 000

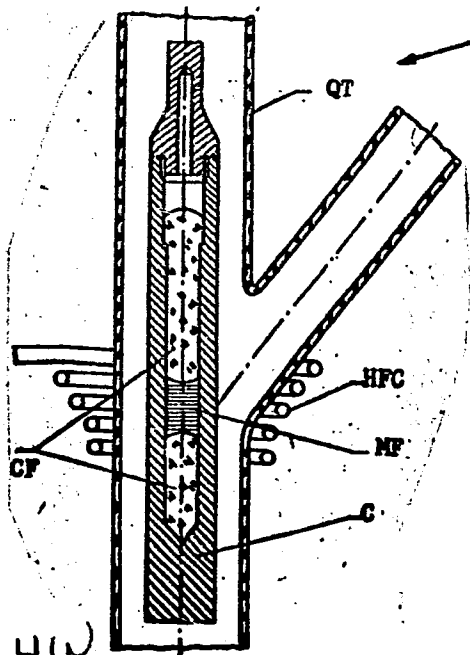
21,44,55

37
B

Card 1/2 UDC: 546.41:621.389

L 10097-66

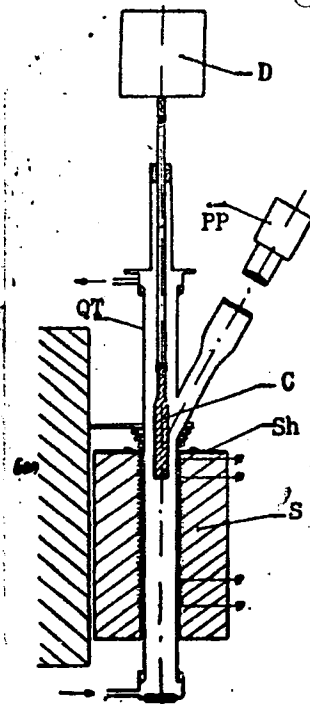
ACC NRAP6001826



Crucible cross-section showing zone-purification process. C - crucible; QT - quartz tube; HFC - h-f coil; CF - crystalline fluorite; MF - molten fluorite.

Construction of crystallizer.

C - crucible;
S - stress relaxation stove;
QT - quartz tube;
Gen - h-f generator;
Sh - shield;
PP - photoelectric pyrometer;
D - driving mechanism.



HW
Cont 2/2

PICKARZYK, Władysław

Władysław Pickarzyk, ...

"..."

..., ..., Se ...

"..."

PIEKARDZYK, Kazimierz, mgr inż.; TRZEWICZEK, Marian, inż.

Problem of quality of steel for seamless conductor tubes.
Hutnik ~~1962~~ 18:256-264, J1-Ag '62.

1. Huta im. Bieruta.

PIEKARNIAK, Krystin; [unclear], [unclear]

An analysis of the utilization of substitute preparations
in 1963. Gruzlica 33 (1963) 1-11. April.

i. 2 Instytutu Gruzliwy.

ZAJACZKOWSKA, Jadwiga; MASZCZYK, Zinaida; PIEKARNIAK, Kryspin; MANOWSKA,
Wanda

⊗-Ethylthioisonicotinamide (Tn-1314) in the treatment of pulmonary tuberculosis. Observation on 30 cases. (Preliminary communication).
Gruzlica 28 no.10:765-774 0 '60.

1. Z Oddziału II Instytutu Gruzlicy, Kierownik: prof. dr med.
W. Jaroszewicz. Z Pracowni Bakteriologicznej Instytutu Gruzlicy
Kierownik: doc. dr M.Buraczewska, Dyrektor Instytutu: prof.dr
med. W.Jaroszewicz.

(ANTITUBERCULAR AGENTS ther)

ALAPIN, B, HEFLICH-PIATKOWSKA, H.;PIEKARSKA, A.

Toxic psychoses. Neurol.neurochir. psychiat. polska 2 no. 1:
49-66 Jan-Feb 1952. (CASA 22:)

1. Of the Psychiatric Clinic (Head--Prof. J. Handelsman, M. D.)
of Warsaw Medical Academy.

DZULYNSKA, Janina; JABLONSKA, Stefania; MAZURKIEWICZ, Walentyna; PIEKARSKA,
Zofia

Neuraminic acid and polysaccharides in serum protein fractions in
the so-called collagenoses (scleroderma and lupus erythematosus).
Polski tygod.lek. 16 no.1:1-10 2 Ja '61.

(LUPUS ERYTHEMATOSUS blood)
(SCLERODERMA blood)
(BLOOD PROTEINS chem)
(NEURAMINIC ACIDS blood)
(POLYSACCHARIDES blood)

ZYCH, Dobieslaw; KOCHANOWICZ, Jan; PIEKARNIAN, Kryspin; KLOTT, Maria

Tuberculosis of the breast. Gruzlica 30 no.7:667-673 '62.

1. Z Instytutu Gruzlicy Z Oddzialu II Kierownik: prof. dr med.
W. Jaroszewicz i z Oddzialu I Kierownik: doc. dr med. P.
Krakowka Dyrektor: prof. dr med. W. Jaroszewicz.
(BREAST DISEASES) (TUBERCULOSIS)

MASZCZYK, Zinajda; PIEKARNIAK, Kryspin

Behavior of catalase in the blood and organs during the course of INH therapy of guinea pigs infected with strains of Mycobacterium tuberculosis resistant to INH and sensitive to INH. Gruzlica 28 no.1:11-18 Ja '60.

1. Z Oddziału II Gruzlicy Pluc. Kierownik: prof.dr med. W. Jaroszewicz i z Zakładu Biochemii. Kierownik: prof.dr G. Bagdasarian.
Dyrektor Instytutu: prof.dr med. W. Jaroszewicz.
(CATALASE metab.)
(ISONIAZID pharmacol.)

MASZCZYK, Zinajda; PIEKARNIAK, Kryspin

Behavior of blood catalase in tuberculous patients treated with
INH. (Communication II). Gruzlica 28 no.1:1-10 Ja '60.

1. Z Oddzialu II Gruzlicy Pluc. Kierownik: prof.dr med.W.Jaroszewicz
i z Zakladu Biochemii Instytutu Gruzlicy. Kierownik: prof.dr G. Bag-
dasarian. Dyrektor Instytutu: prof. dr.med. W. Jaroszewicz.
(ISONIAZID ther.)
(CATALASE blood)

EXCERPTA MEDICA Sec 15 Vol. 10/9 Chest Diseases Sept 57

2333. PIEKARNIAK K. *Gruźlica oskrzeli u dorosłych na podstawie bronchoskopii wykonanych w instytucie gruźlicy w Latach 1950-1955. Bronchial tuberculosis in adults based on bronchoscopic examinations at the Tuberculosis Institute during 1950-1955
GRUŻLICA 1956, 24/11 (1127-1135) Tables 7

Of 1,311 patients examined bronchoscopically at the Tuberculosis Institute during 1950-1955, 462 (35.3%) were found to have tuberculous lesions of the bronchi. Diffuse inflammatory lesions were most frequent (30.1%), next came limited inflammatory lesions (23.2%), and after that, fibrostenosis (15.4%). In 52.5% of the cases the lesions were localized in the left bronchus, and in 47.5% in the right bronchus. The most common sites of the lesions were the orifices of the main bronchi and the orifices of the upper lobe bronchi; lesions at the point of division into segmental bronchi were less frequent. In the majority of the cases bronchial tb was associated with infiltrative pulmonary tb. In cases of bilateral pulmonary lesions, bronchial tb was more frequent in the left bronchus than in the right bronchus.
(XV, 11)

PIEKARNIAK, Kryspin

Bronchial tuberculosis in adults according to bronchoscopic data of the Institute of Tuberculosis; 1950-55. *Gruslica* 24 no.11:1127-1135 Nov 56.

1. Z Oddzialu IV Instytutu Gruslicy Kierownik: doc. dr. W. Jaroszewicz. Dyrektor: prof. dr. J. Wisiewicz.
(TUBERCULOSIS, PULMONARY, epidemiology, in Poland, bronchoscopic data (Pol))

PIEKARSKA, Aniela

Largactyl therapy in psychic disorders; preliminary report.
Neur. &c. polska 5 no.6:623-635 Nov-Dec 55.

1. Z Kliniki psychiatrycznej Akademii Medycznej w Warszawie.
Kierownik: prof. dr. J. Handelsman, Warszawa--Wlochy, Potrzebna
18.

(MENTAL DISORDERS, ther.
chlorpromazine)

(CHLORPROMOAZINE, ther. use
ment. disord.)

PieKARSKA, EWA

Geo

P O L .

Monandite from Kudno (Czechoslovakia): Ewa Piekar-
ska and A. Gawel. Rozprawy Poln. Towarzystwa Nauk, 22,
363-73 (1952) (Pub. 1954) (in English, 367-73). — Chem.
analysis of monandite from cavities in metamorphic diabases
gave SiO₂ 80.18, Al₂O₃ 16.00, FeO 0.50, MgO 1.58, CaO
1.08, Na₂O 0.50, K₂O 1.24, H₂O — 0.78, H₂O + 11.68, sum
99.45%. It has as (Na) = 1.000, β 1.000. M. Fleischer.

①

PIEKARSKA, E.; GAWEL, A.

"Heulandite from Pudno, near Krasowice." p. 353 (RODUNIK. Vol. 22, No. 3, 1952 (published 1951); Krakow, Poland..

So: Monthly List of East European Accessions, (EEAL), LC, Vol. 4, No. 4, April 1955, Uncl..

PIEKARSKA, Janina; KLIMCZAK, Zofia

Certain problems connected with cellulose as seen by a nutritionist. *Farmacja Pol* 20 no.1/2:42-45 25 Ja'64.

1. Zakład Higieny Żywności, Akademia Medyczna, Warszawa.
Kierownik: prof. Dr. J. Szczygiel.

PIEKAR

LUKASZEWICZ-DANCOWA, Danuta; PIEKARSKA, Krystyna; LESKI, Bohdan

2 cases of mumps myelitis. Pol. tyg. lek. 17 no.40:1560-1563 1 0 '62.

1. Z Miejskiego Szpitala Zakaznego nr 3 w Warszawie; dyrektor szpitala:
doc. dr Aniela Marks-Zakrzewska, ordynator oddzialu Neuroinfekcji: dr
Danuta Lukaszewicz-Dancowa.

(MYELITIS)

(MUMPS)

Country : Poland F
Category :
Abs. Jour : 45685
Author : Gajzler, R., ~~Pickarska, Z.~~, and Stanczuk-Rozvycka, T.
Institut. : Not given
Title : Use of an Absorption Meter and of a Polarograph
for the Automatic Recording of the Results
Obtained from Electrophoresis on Paper
Orig. Pub. : Chem Analit, 3, No 2, 159-161 (1958)
Abstract : The authors have used a combination of a Hilger
absorption meter and a Radiometer Co. polarograph
for the automatic recording of the results obtained
during electrophoresis in the course of clinical
analyses on blood serum. The photometric deter-
mination is made with the absorption meter; the
current generated in the photocell passes through
the galvanometer and thence directly to the elec-
trodes of the polarograph. The curves are re-
corded at the maximum sensitivity of the apparatus.

Card: 1/2

PIEKARSKA, JANINA

P O L N .

Use of bomb calorimetry for the determination of the energy value of vegetables. Janina Piekarska (Med. Acad., Warsaw). *Roczniki Państwowego Zakładu Hig.* 6, 39-46 (1965) (English summary).—Heat of combustion was detd. for a no. of vegetables and, when multiplied by an experimentally established factor, was found to be an accurate measure of their physiol. energy value. A. S. Szczesniak

POLAND

PIELANSKA-WITKIEJ, A. The Effect of Physic. Diseases of Psychiatry
Medicine, Warsaw. 17 Pielanska-Witkiej, ul. W. Wierzytka 11.

"Treatment with lobeline. Literature report and clinical observations.

Warsaw, Prski Wykaz Lek. Opatrak., Vol 11, No 52, 14 Dec 62, pp 2025-2 28

Abstract: / Author's Medical summary modified. / This report concerns the
treatment of 42 patients in a neuropsychiatric clinic of hemiparesis was
diagnosed in 35 of the cases and improvement was achieved in 94% of the
patients. The best effects were achieved in neurotic and endogenous
depressive anxiety states and in functional cardiovascular syndromes.
In psychotic syndromes only transient symptomatic improvement was obtained.
No improvement was noted in autistic personality disorders. Good effect
was observed in one case of epilepsy. The average dose was 40mg and the
maximal 80mg daily. Side effects of transient pains and muscle weakness
were noticed only in one case during the administration of maximal dose.
The possibility of the use of lobeline in the outpatients department
in the treatment of neurones

One table, one diagram and ten references (all Western).

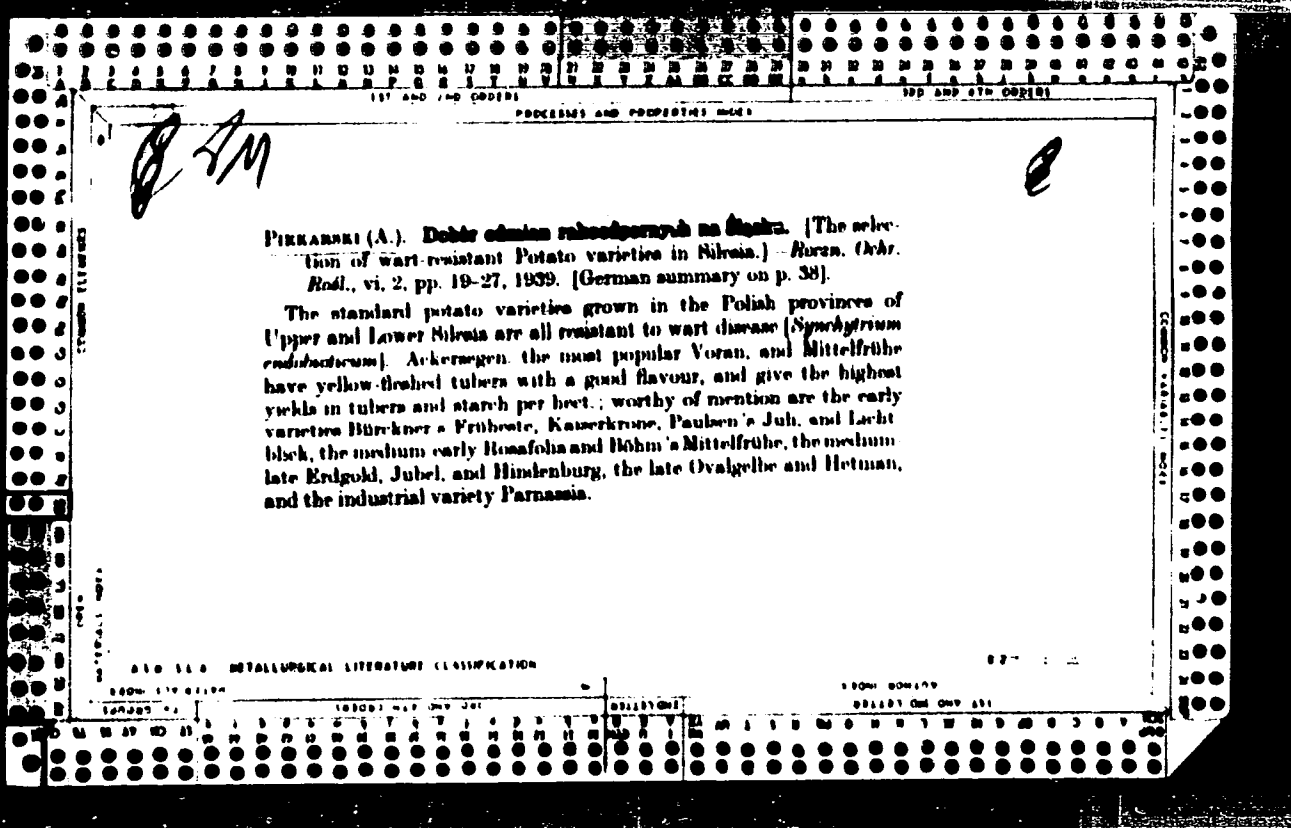
[1/1]

PIEKARSKA-ROZYNKOWA, D.

Effect of stimulation of the gastric mucosa and its relation to the stage of digestion. Pat. polska 4 no.2:159-168 Apr-June 1953.

(CIML 24:5)

1. Of the Institute of General and Experimental Pathology (Head--Prof. A. Horst, M.D.) of Poznan Medical Academy.



PIEKARSKI, Boleslaw

A modified method for the determination of carbonic anhydrase activity in the erythrocytes. Acta physiol pol 12 no.2:303-306 '61.

1. Z II Kliniki Chorob Wewnętrznych Śląskiej A.M. Kierownik: prof. dr W. Zahorski.

(ERYTHROCYTES chem)

(CARBONIC ANHYDRASE blood)

SROCZYŃSKI, Jan; PIEKARSKI, Bolesław

Serum protein picture in rabbits with chronic lead poisoning.
Postepy hig.med.dosw. 17 no.5:603-608 S-0'63

1. Z II Kliniki Chorob Wewnętrznych Śląskiej AM i Działu Klinicznego Instytutu Medycyny Pracy w Przemysle Węglowym i Hutniczym w Zabrze-Rokitnicy. Kierownik: prof.dr. W.Zahorski.

*

KOSMIDER, Stanslaw; PIEKARSKI, Boleslaw; KOSSMANN, Stefan

Evaluation of Parri's test in differentiating pneumoconiosis from pneumoconiosis-tuberculosis. Polski tygod.lek. 15 no.38:1449-1450 19 S '60.

1. Z II Kliniki Chorob Wewnętrznych Sl.A.M. i z Działu Klinicznego Instytutu Medycyny Pracy w Przemysle Węglowym i Hutniczym w Zabrze; kierownik: prof. dr med. Witold Zahorski.

(PNEUMOCONIOSES urine)

(TUBERCULOSIS PULMONARY urine)

SROCZYNSKI, Jan; PIEKARSKI, Boleslaw

Serum protein picture in the blood of rabbits in acute lead poisoning. Postery hig.med.dow. 13 no.6:781-785 '59.
(LEAD POISONING blood)
(BLOOD PROTEINS)

KOSMIDER, Stanislaw; PIEKARSKI, Boleslaw; PETELEENZ, Tadeusz; WIERNY, Lech

Electrophoretic studies on serum proteins in the blood in radiation sickness in rabbits. Arch.immun.ter.dosw. 8 no.4:747-757 '60.

1. II Klinika Chorob Wewnętrznych Śląskiej Akademii Medycznej w Zabrze, Oddział Kliniczny Instytutu Medycyny Pracy w Przemysle Węglowym i Hutniczym w Zabrze, Zakład Radiologii Lekarskiej Śląskiej Akademii Medycznej w Zabrze.

(RADIATION INJURY exper)
(BLOOD PROTEINS radiation eff)

PIEKARSKI, Kazimierz

Influence of Lower Jurassic weathering on the zinc and lead ore deposits in the Silesian and Krakow Triassic. Przegl geol 13 no.2: 54-59 F '65.

1. Geologic Agency, Krakow.

PIPKI, Kazimierz

Sedimentary or ascension-hydrothermal genesis of primary
metalization of the ore deposit in Miedziana Gora near Kielce.
Przepl. geol. II no. 11:441-444. 1969.

Instytut Geologii i Geofizyki, Krakow.

PIEKARSKI, Kazimierz

Mineralization characteristics of the Boruszowice beds of
the Silesia-Cracow monocline. Przegl geol 10 no.3:138-144
Mr '62.

1. Przedsiębiorstwo Geologiczne, Krakow.

PIEKARSKI, Kazimierz

1. [Faint, illegible text]
2. [Faint, illegible text]
3. [Faint, illegible text]
4. [Faint, illegible text]
5. [Faint, illegible text]
6. [Faint, illegible text]
7. [Faint, illegible text]
8. [Faint, illegible text]
9. [Faint, illegible text]
10. [Faint, illegible text]

PIEKARSKI, Kazimierz, mgr., inż.

Prospects for discovering new copper and iron ore deposits in
the Swietokrzyskie Mountains. Rudy i metale 7 no.2:73-74 '62.

KRAUZE, S., prof. dr. PIEKARSKI, L. SUSLOW, A.

Studies on the affinity of eyes to proteins of animal
tissues. Rozprawy zaki. nig. 19. 1963. 164.

1. Laboratory of Eye Testing, School of Medicine, Warsaw.

PINKARSKI, L.

Affinity of dyes for proteins of animal tissues. *Bespr. Nyz.* 1965, no.3:150-162. My '65.

1. Katedra bromatologic Lekarske Akademii, Warszawa.

KRAUZE, S.; PIEKARSKI, L.

Investigations on phasine. Acta Poloniae pharm. 11 Suppl.:115-117
1955.

1. Zakład Badania Srodkow Spozywczych A. M., Warszawa.
(NITROGEN,
phasine)
(BEANS,
phasine)

*Research
Research
(Museum) ble - done mid
H. J. Toms
H. J. Toms*

PIEKARSKI, Lech

Protein bindings of animal tissues with azo- and triphenylmethane compounds. Roczn panst zakl hig 15 no.2:151-152 '74.

1. Laboratory of Food Testing, School of Medicine, Warsaw. Head: [prof. dr] S.Krauze.

PIEKARSKI, Lech

Affinity of dyes to animal tissue proteins. Pts.2-3. Rocznik panstw. nauk przyrodniczych i matematycznych, tom 15 no.4:389-404 '64.

1. Laboratory of Food Testing, School of Medicine, Warsaw.

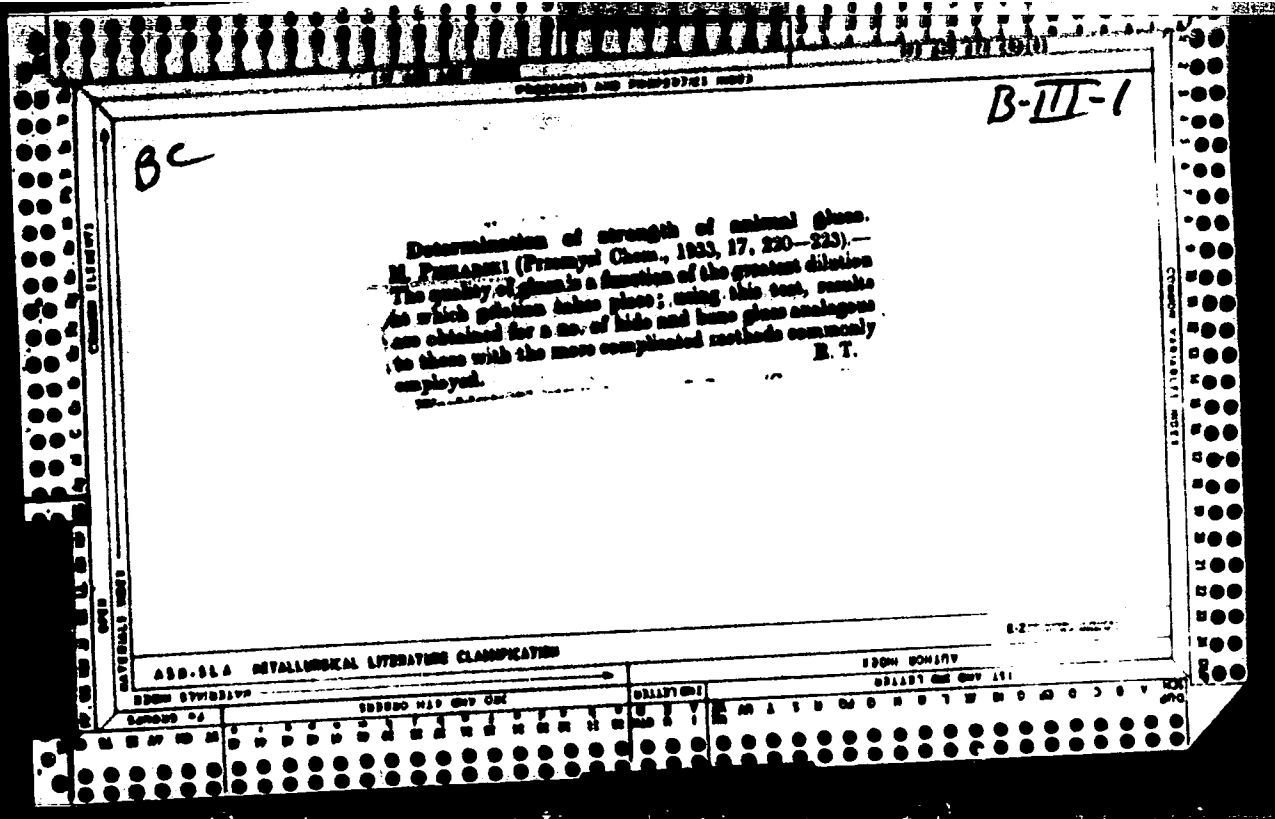
PIEKARSKI, LECH

Amino acids contained in toxic proteins of leguminous plants. Lech, Piekarski. (Med. Acad. Warsaw). *Acta Polon. Pharm.* 14, 47-48 (1957). Proteins from seeds of *Pisum sativum* (I), *Ervum lens* (II), and *Pisicola vulgaris* (III) were isolated, hydrolyzed, and the amino acids were detected by paper chromatography. The following amino acids were found in protein hydrolyzates from I, II, and III: aspartic acid, glutamic acid, alanine, tyrosine, lysine, and arginine. In addition, histidine and valine were found in I and II, threonine in II, and serine in III.

KRAUZE, Stanislaw, prof. dr; PIKARSKI, Lech

Affinity of myx to animal tissue proteins. *Acta Biochimica Polonica* 1960, 7, 2, 1-10
zakl nig 15 no. 449-452 16.

1. Laboratory of Food Testing, School of Medicine, Warsaw. Head: prof.
S. Krauze.



PiekarSKI, Mieczyslaw, dr.

"Notice of termination of the labor contract" by Jozef Szczerski. re-
viewed by Mieczyslaw PiekarSKI. Praca zabezp s[?] o no. b: 57-60 Je '64.

Fiekarski, Mieczyslaw, dr. (Warszawa)

Calculation of the time of ship demurrage. Tech gosp morska
13 no.11:330-332 K'63.

PIEKARSKI, Mieczyslaw, dr (Warszawa)

Calculation of the demurrage period of a ship. *Prace
morska* 12, no. 11: 108-109, 1962.

PIFKAPSKI, Mieczyslaw, dr. (Warszawa)

Priority rights in ships in the light of the new Polish Maritime Code
Tech gosp merka 12 no. 4:104-105. Apr '62

PIEKARSKI, T., mgr., inż.

Shipbuilding in ship repair yards. Tech gosp morska 11 no. 2: 45-47
F '61.

1. Gdynska Stocznia Remontowa.

PIEKARSKI, Tadeusz, mgr., inż.

Plans for the extension of the Gdynia repair yard. Tech gosp morska
11 no.11:336-338 '61.

1. Gdynska Stocznia Remontowa.

PIEKARSKI, T., mgr inz.

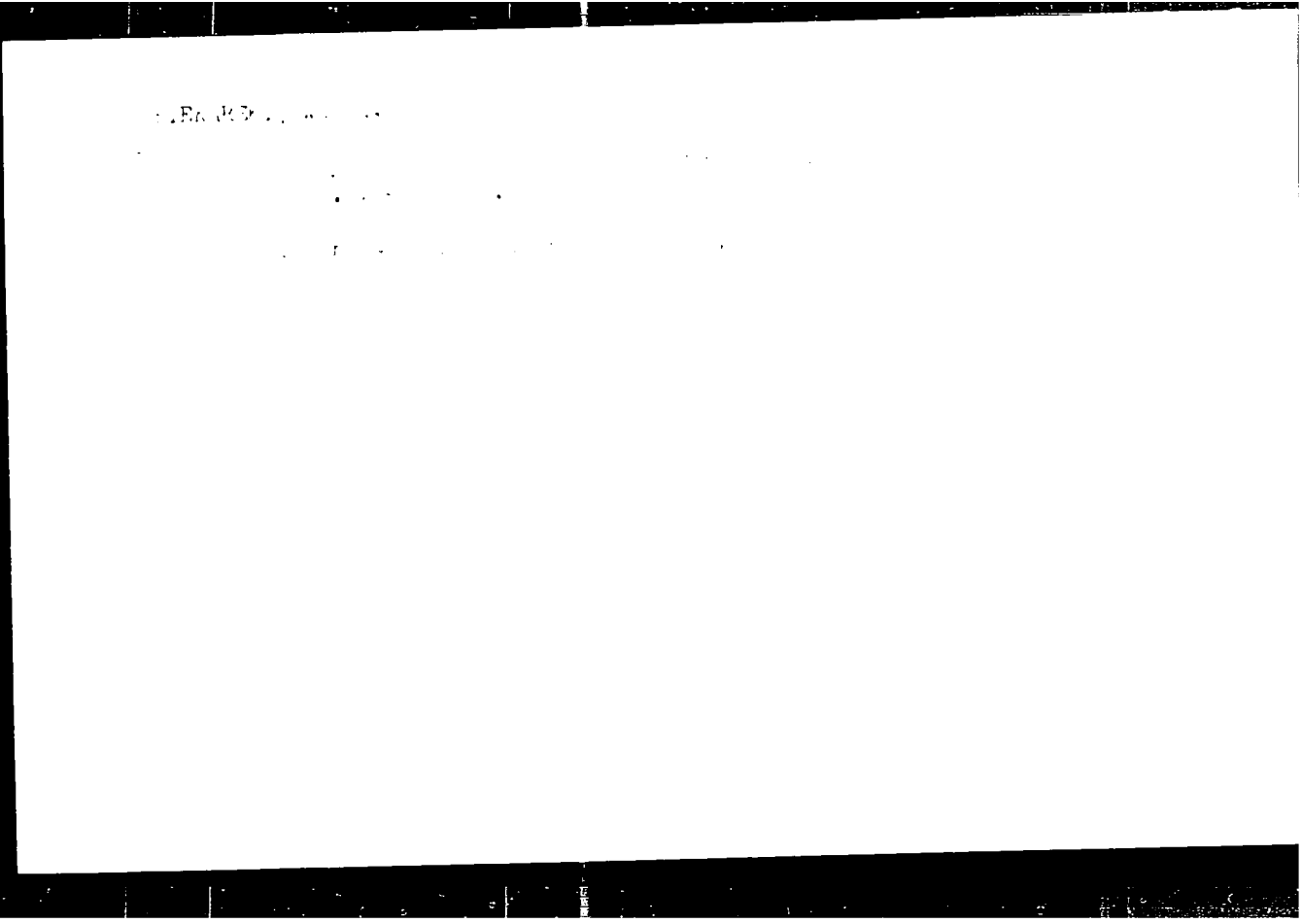
The most efficient ways of preventing corrosion of the hull of ships;
from experiences of the repair docks in Gdynia. Tech gosp morska 10
no.11:343-345 N '60. (ERAI 10:3)

1. Gdynska Stocznia Remontowa.
(Poland--Ships) (Hulls (Naval architecture))
(Corrosion and anticorrosives)

PIEKARSKI, Tadeusz, mgr inż.

Repairs of damages on the ship Barbara. Tech gosp morska
13 no.10:301-303 0 '63.

1. Gdynska Stocznia Remontowa, Gdynia.



PIEKARSKI, Wacław

Safety problem of the economical steel reinforcement. In: *Prace naukowe Instytutu Techniki Budowlanej*, 1977, t. 1, s. 1-10. *Prace Instytutu Techniki Budowlanej*, 1977, t. 1, s. 1-10.

1. Enterprise of Capitalism. *Prace Instytutu Techniki Budowlanej*, 1977, t. 1, s. 1-10.

PIETARSKI, S.

Safety index and probability curve.

P. 88. (Inżynieria i Budownictwo. Vol. 13, no. 3, Mar. 1966, Warszawa, Poland)

Monthly Index of East European Abstracts (MIAE). Vol. 7, no. 2,
February

PIEKARSKI, W.

Determination of the security index for freely supported rolled steel beams. p. 259

Vol. 12, no. 8, Aug. 1955
INZYNIERIA I BUDOWNICTWO
Warszawa

Source: Monthly List of East European Accessions (MEAL), LC, Vol. 5, no. 2
Feb. 1956

Piekarski, W.

3000

438
Piekarski W. The Determination of a Safety Coefficient for a Simply Supported Rolled Steel Beam.

„Wyznaczenie wkażnika bezpieczeñstwa dla swobodnie podpartej stalowej belki walcowanej”. Inżynieria i Budownictwo. No. 8, 1955, pp. 259-262, 3 figs., 3 tabs.

Stress values σ obtained by way of computation may actually show a rise as a result of the general assumption for the mechanics of the structure not being fulfilled, as well as of secondary factors. The rise of the stress values is provided for in the safety coefficient. When considering a simply supported rolled steel beam, it is possible to determine beforehand the highest coefficients α , which characterise the rise of stress caused by the non-fulfilment even of i-assumption. Also considered here may be the coefficients α_1 resulting from the failure of the basic computation hypotheses, from inaccuracy in the machining of the semi-finished products (in the steel works or on the building site), or from differences between the actual and the assumed working conditions. The author gives a detailed analysis of such coefficients and determines appropriate formulae. In certain cases the coefficients α_1 should be obtained experimentally. In the designing of beams with small spans, the values of importance are those of the stresses, and in the case of longer spans — of the deflections. The author presents the coefficients α_1 for beams both with and without considering the permissible deflection; a formula for the safety coefficient p is also included.

Stress

LFH

PIEKARSKI, W.

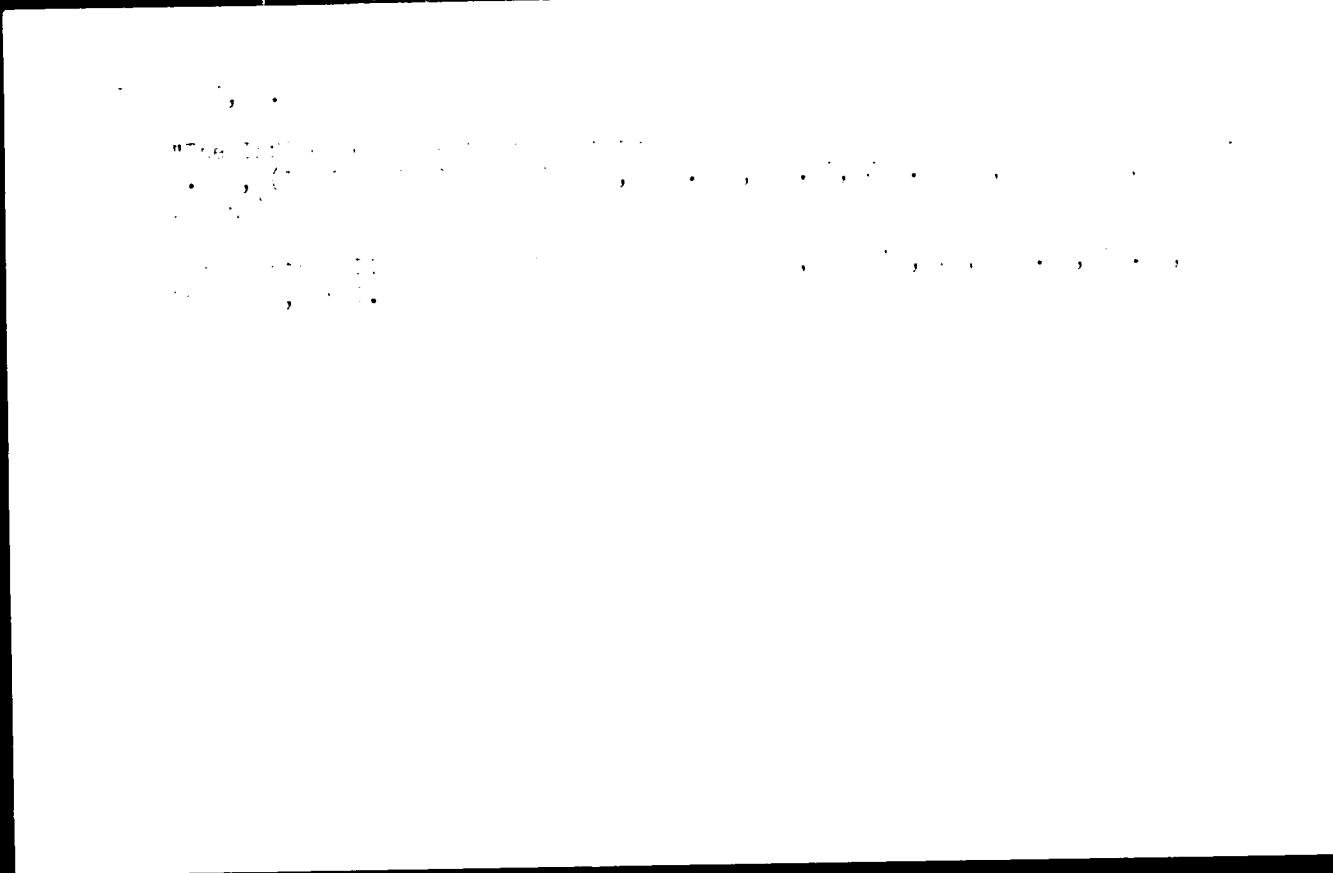
"Influence of Possible Economic Losses on the Safety Coefficient of Constructions." p.53
(Inzyniera i Budownictwo, Vol. 11, No. 2, Feb. 1954, Warszawa.)

SO: Monthly List of East European Accessions, Vol. 3, No. 6, Library of Congress, June,
1954, Incl.

PIEKARSKI, Wacław

Safety of a structure in the light of the correlation between
the limit of plasticity and endurance. Rozpr inż PAN 10
no.2:231-242 '62.

1. Politechnika, Warszawa.



PIEKARSKA, Z.

SCIENCE

Periodicals: CHEMIA ANALITCZNA. Vol. 3, no. 2, 1958.

PIEKARSKA, Z. Adaptation of the absorptiometer and the polarograph to the automatic registration of the results of paper electrophoresis.
p. 159.

Monthly List of East European Accessions (EEAI) IC Vol. 8, No. 4,
April 1959, Unclass.

PIEKALSKI, J.

"Systems of Calculating Critical Depths (hk) of Canals with a Trapezoidal Section." p. 78
(Gospodarka Wodna, Vol. 14, No. 2, Feb. 1954, Warszawa)

SO: Monthly List of East European Accessions, Vol. 3, No. 6, Library of Congress, June,
1954, Uncl.

raw materials for the production of protein hydrolysates,
used in the food industry to manufacture various condi-
ments, bouillon cubes, etc. Promising products are wheat
glutenin, zein of maize, soybean protein, fish meal.

APPROVED FOR RELEASE: Tuesday, August 01, 2000 CIA-RDP86-00513R0012408

PIEKARZ, Antoni, mgr inz.

The cascade of the Volga River. Gosp vodna 22 no.12:545-548
D '62.

KORBEL, Kazimierz; PIEKARZ, Jerzy; PRZEWLOCKI, Kazimierz; ZHANZKI, Jozef

Radioisotopic measurements of flowing sand-water mixtures in pipelines by means of scintillation counters. Archiw gorn 7 no.1:49-58 '62.

DANIEC, Alfred, *matematyka dla inżynierów*.

Mathematical formulas for the teaching process of rock
salt. *Przeegl gorn* 20 no.10:513-515 O 1974.

PIEKARZ, Ryszard

Size of the alimentary canal and weight of the internal organs
in fallow deer. *Acta theriolog* 9 no.1/8:25-29 '64.

Size of the alimentary canal and weight of the internal organs
in 6 lions and 1 tiger. *Ibid.*:31-36

1. Physiological Laboratory of the Warsaw Zoo, Warsaw.

HOFFMANNOWA, Hanna; GILL, Janusz; PIEKARZ, Ryszard

Studies on the digestive physiology of the wolf (*Canis lupus L.*), dingo (*Canis dingo L.*) and jackal (*Canis aureus L.*). I. Effect of histamine on the course of digestive-excretory processes of the stomach under morphine-eunarcon anesthesia. *Acta physiol. Pol.* 15 no.1:125-136 Ja-F '64.

Studies on the digestive physiology of the wolf (*Canis lupus L.*), dingo (*Canis dingo L.*) and jackal (*Canis aureus L.*). II. Digestive capacity of the pancreas, duodenum and salivary glands; size of the digestive system; weight of internal organs. *Ibid.*:137-148

1. A Laboratorium Fizjologicznego Miejskiego Ogrodu Zoologicznego w Warszawie (Kierownik; mgr J. Landowski) i Z Zakladu Hodowli Doswiadczalnej Zwierzat Panstwowej Akademii Nauk (Kierownik. prof. dr Z. Kaminski [deceased]).

GILL, J.; HOFFMANNOWA, H.; PIEKARZ, R.

Digestive capacity of the salivary glands, pancreas and duodenum and size of the digestive system in boars (*Sus scrofa* L.) Acta physiol.polon. 11 no.5/6:706-707 '60.

1. Z Laboratorium Fizjologicznego Miejskiego Ogrodu Zoologicznego w Warszawie. Z Zakladu Hodowli Doswiadczalnej PAN.

(SALIVARY GLANDS physiol)
(PANCREAS physiol)
(DUODENUM physiol)
(GASTROINTESTINAL SYSTEM physiol)

GILL, J.; HOFFMANNOWA, H.; PIEKARZ, R.

Effect of histamine on the course of digestive and secretory activity in the stomach in boars (*Sus scrofa* L.). Acta physiol. polon. 11 no.5/6:707-709 '60.

1. Z Laboratorium Fizjologicznego Miejskiego Ogrodu Zoologicznego w Warszawie. Z Zakładu Hodowli Doswiadczalnej PAN.

(STOMACH pharmacol)
(GASTRIC JUICE)
(HISTAMINE pharmacol)

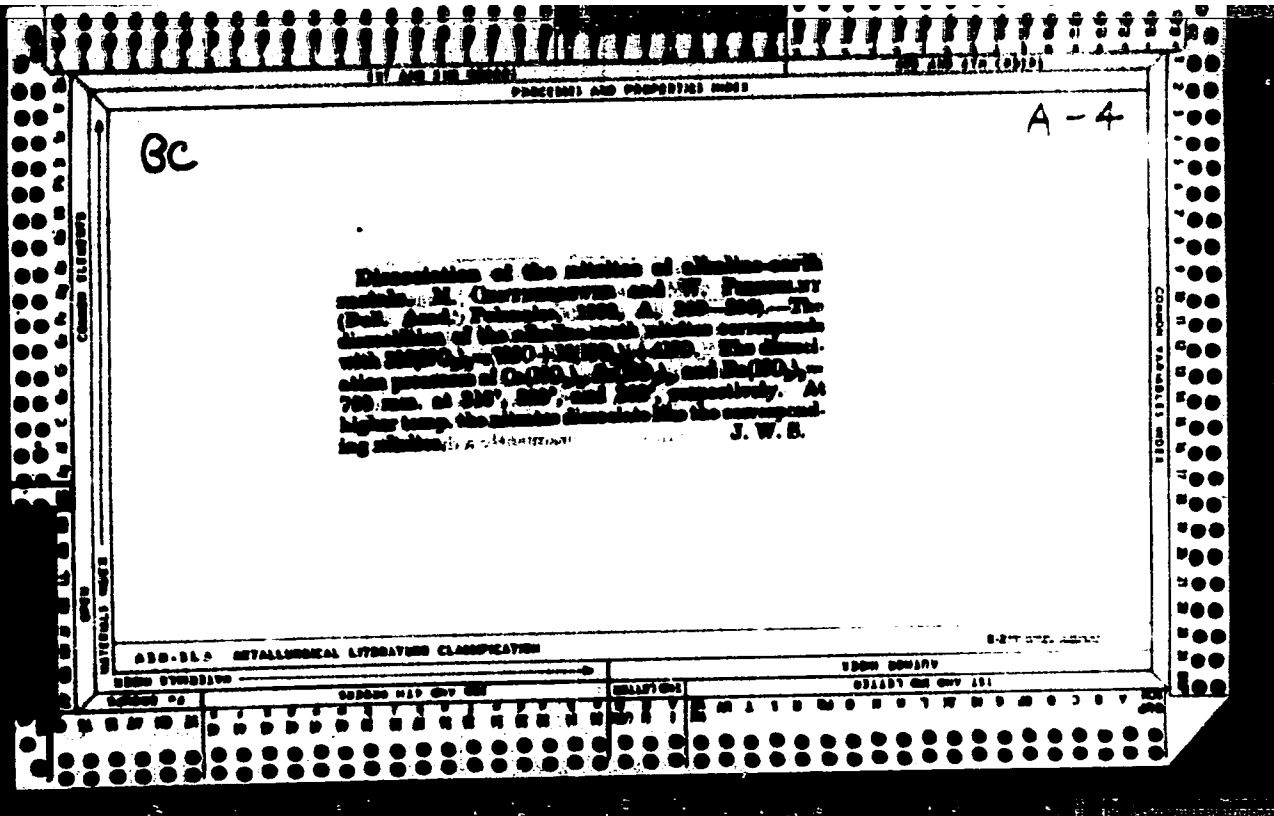
PIEKARZ, Ryszard

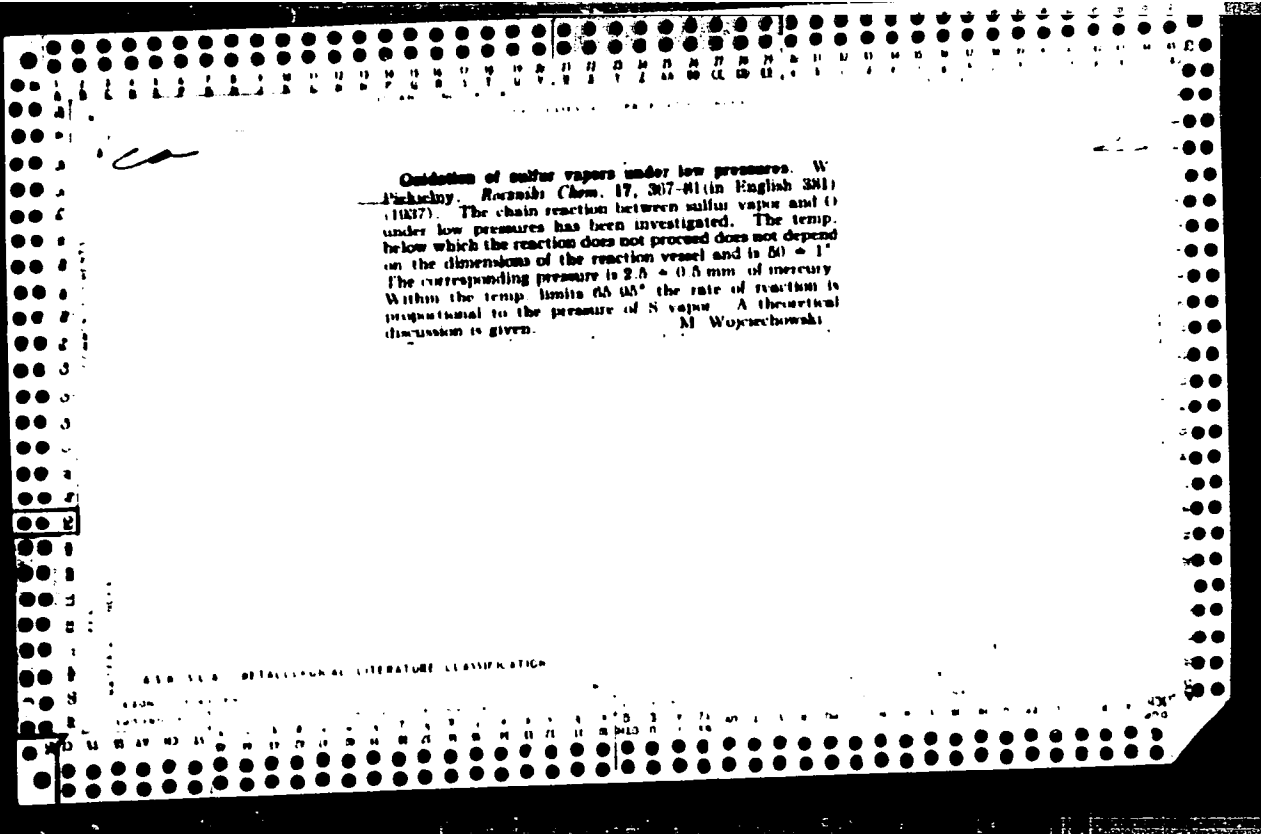
Effect of coprophagy on the time of passage of contents
through the digestive system of domestic rabbits. Acta physiol.
pol. 14 no.3:359-370 '63.

1. Z Zakładu Ogólnej Hodowli Zwierząt SGGW w Warszawie Kierownik:
prof. dr Wł. Herman Z Laboratorium Fizjologicznego Miejskiego
Ogrodu Zoologicznego Dyrektor Zoo: mgr J. Landowski.
(FECES) (DIGESTION) (APPETITE DISORDERS)

CA

Dissociation of alkaline earth nitrites. N. Tsentsersh-
vet and W. F. Kelby. *Bull. intern. acad. polonaise Classe*
sci. math. 1938, 380-86.—The nitrite decomposes
into the oxides, NO and NO₂. The latter oxidizes more
nitrite to nitrate, being reduced to NO. This reaction is
not reversible; thus the decompn. sets in very sharply.
The temp. depends on the superimposed (inert) gas pres-
sure. Ca, Sr and Ba nitrites decompose at 316°, 380°,
362° under 1 atm. An equation relating pressure and
temp. is given. G. W. King





PROCESSING AND POST-PROCESSING NOTES

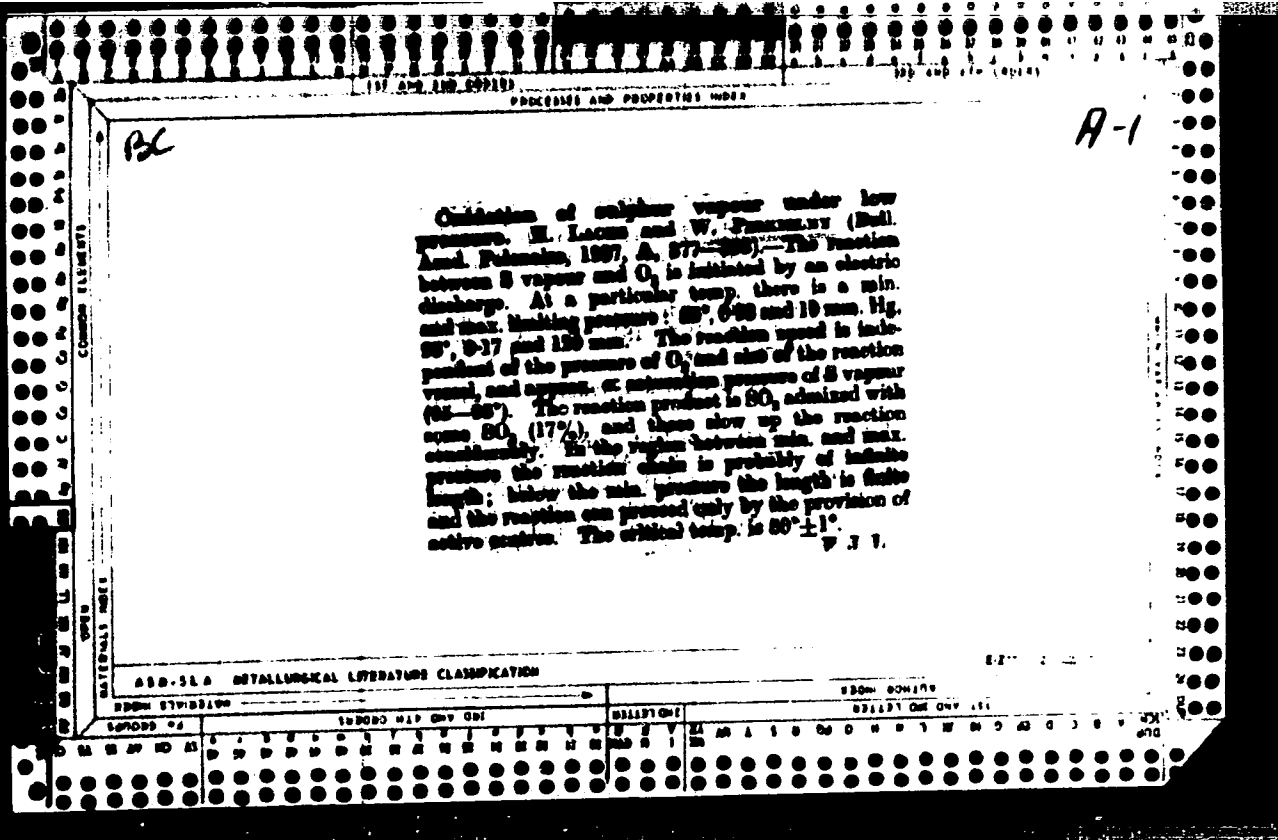
a-1

BL

Oxidation of sulphur vapour at low pressures.
W. FRENCHAM (Proc. Chem., 1937, 17, 287-291).—
 The chain reaction between S vapour and O₂ can be initiated by a silent electrical discharge only within a certain pressure range, the limits of which widen with increasing temp. (0.25–10 mm. at 25°, and 0.17–1.20 mm. at 50°). The reaction will not take place at $25 \pm 1^\circ$, at which temp. it will proceed only at 2.5 ± 0.5 mm.; the shape of the reaction vessel does not affect the results. The velocity of the reaction at 25–50° \propto [S], but not [O₂], and inversely as the [SO₂] of the gas. The reaction products are SO₂, with about 17% of SO. The theoretical aspects of the above observations are discussed. R. T.

METALLURGICAL LITERATURE CLASSIFICATION

62



PIEKOS, Boleslaw

Wincenty Jacek Lepkowski. Czas. stomat. 18 no. 1935-1936. 1935

Stomatology at the Jagiellonian University in Cracow. Ibid. 1935
49-60

International scientific meeting of the Medical Academy in
Cracow. Ibid. 1933-74

1. Z Katedry Chirurgii Stomatologicznej Akademii Medycznej
w Krakowie (kierownik: dr. med. J. Drowdzowski).

KUŁKA, Jozef; PIEKLO, Boleslaw

Screw factory in Lancut. Przegl mech 20 no.19/20:606-608 '61.

1. Lancucka Fabryka Srub.

PIEKOS, Boleslaw

Artiformin—radycyn (a historical review). Czas. stomat. 19
no.1:81-82 Ja ' 66.

1. Katedra Chirurgii Szczekowej AM w Krakowie (Kierownik: dr.
med. J. Drozdowski).

PUTS, R.

Chloroselenic acid. *Ibid.* item 18 no. 535 S 142

New laboratory method of obtaining absolute ethanol. *Ibid.*
535-536

Determination of the oxygen content of the chloride level in
water. *Ibid.*:536

PIEKOS, R.

Origination of sp...
carbon tetrachloride...
Ag '64.
Selective separation...

L 36879-66 FWP(j)/T

ACC NR: AP6019142

SOURCE CODE: PO/0016/66/000/001/0059/0059

AUTHOR: Pickos, R.

ORG: none

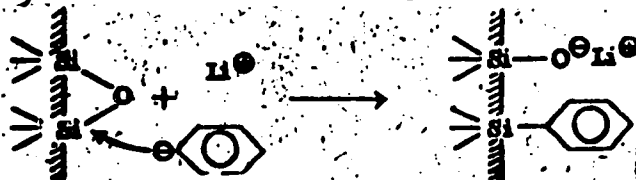
TITLE: Reactions of organolithium compounds with silicon dioxide

SOURCE: Wladomosci obowiazne, no. 1, 1966, 59

TOPIC TAGS: silicon dioxide, organolithium compound, siloxane, silane

41
B

ABSTRACT: The article summarizes a paper by H. P. Boehm, M. Schneider, and H. Wistuba (Angew. Chem., 77, 622, 1965), in which the authors reported the formation of tetraphenylsilane $Si(C_6H_5)_4$, triphenylsilanol $(C_6H_5)_3SiOH$, diphenylsilanediol $(C_6H_5)_2Si(OH)_2$ and a phenylsiloxane polymer in a reaction of SiO_2 with phenyllithium. Infrared spectra showed that the reaction of butyllithium with SiO_2 produced hexabutyloxylotrisiloxane $[(C_4H_9)_2SiO]_3$, probably octabutyloxylcyclotetrasiloxane $[(C_4H_9)_2SiO]_4$ and a polymer. The reaction mechanism is thought to involve a nucleophilic attack of the $C_6H_5^-$ ion on the siloxane bond present on the surface layer of the silica skeleton:



Card 1/2

Card 212 JAN

1. 00671-67 EWP(j)/EWP(L)/ETI IJP(c) RM/JD
 ACC NR: AP6017853 SOURCE CODE: PO/0016/65/000/012/0827/0828

AUTHOR: Piekos, R.

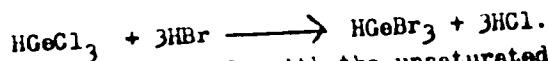
ORG: none

TITLE: Synthesis of germanium bromoform and its characteristic reactions

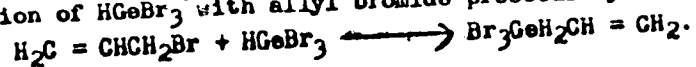
SOURCE: Wiadomosci chemiczne, no. 12, 1965, 827-828

TOPIC TAGS: germanium compound, inorganic synthesis, chemical reaction, hydrocarbon, chloroform, condensation reaction, reaction mechanism, exothermic effect, chemical compound

ABSTRACT: This paper describes the chemical reactions and synthesis of germanium bromoform carried out by T. K. Gar and V. F. Mironov (Izv. AN SSSR, Ser. Khim., No. 5, 1965, 885). The Soviet chemists tried three different synthesis methods of which the following proved to be best



In this reaction HGeBr_3 combines exothermically with the unsaturated hydrocarbons. The reaction of HGeBr_3 with allyl bromide proceeds by condensation



Card 1/2

L 08671-67

ACC NR:AP6017853

With butadiene the HGeBr_3 forms a combination product which is in the main of linear structure and 30% of ring structure. The formation of the ring structure is ascribed to the attachment of the GeBr_2 to the butadiene in the 1,4 position which in turn makes it possible to assume that HGeCl_3 as well as HGeBr_3 are sources of $\text{Ge}(\text{Cl}, \text{Br})_2$ in a sequence of reactions. The reaction of HGeBr_3 with acetylene produces a mixture of saturated and unsaturated compounds but in the presence of ether it produces only an unsaturated compound. The reactions of HGeBr_3 with ethylene proceed along similar lines. Orig. art. has: 8 formulas.

SUB CODE: 07/ SUBM DATE: none/ SOV REF: 001

Card 2/2

PIEKOS, Ryszard.

"Synthesis methods of polyorganosiloxanes" by N.N. Sokolov.
Reviewed by Ryszard Piekos. Wiad chem 15 no.11:737-740 N '61.

PIEKOS, Ryszard

Reactions of organic oxychloro- and bromosilanes with acetone.
Rocz chemii 36 no.9:1385-1386 '62.

1. Katedra Chemii Nieorganicznej i Analitycznej, Wydział Farmaceutyczny, Akademia Medyczna, Gdansk, i Katedra Chemii Nieorganicznej, Politechnika, Gdansk.

RADECKI, Aleksander; PIEKOS, Ryszard

A study on the interaction between tetraalkoxy (aryloxy) silanes and phosphorus halides. Pt. 2. Roczniki chemii 36 no.9:1329-1336 '62.

1. Department of Inorganic and Analytical Chemistry, Faculty of Pharmacy, Medical Academy, Gdansk.

PIEKOS, Ryszard; RADECKI, Aleksander

A study of the interaction between tetraalkoxysilanes and
phosphorus halides. Pt. 1. Roczniki chemii 36 no.9:1303-1311
1962.

1. Department of Inorganic and Analytical Chemistry, Faculty of
Pharmacy, Medical Academy, Gdansk.

PIEKOS, Ryszard, mgr inż.

Practical application of aryl orthosilicates. Wiad chem 16
no.8:481-496 Ag '62.

1. Starszy asystent Katedry Chemii Nieorganicznej i Analitycznej,
Gdanska Akademia Medyczna, Gdansk.

PIEKOS, Ryszard

Action of sodium on ethoxychlorosilanes. Roczniki chemii 37
no.3:301-307 '63.

1. Department of Inorganic and Analytical Chemistry, School of
Medicine, Gdansk, and Department of Inorganic Chemistry,
Technical University, Gdansk.

PIEKOS, Ryszard

On the reaction between silicon tetrachloride and sodium methoxide.
Rocz chemii 35 no.4:775-782 '61.

1. Department of Inorganic and Analytical Chemistry, Faculty of Pharmacy,
Medical Academy, Gdansk.

S/081/62/000/016/010/043
B168/B186

AUTHOR: Piękoś, Ryszard

TITLE: Reaction of silicon tetrachloride with sodium methylate

PERIODICAL: Referativnyy zhurnal. Khimiya, no. 16, 1962, 235, abstract
16Zh269 (Roczn. chem., v. 35, no. 4, 1961, 775-782 [Pol.,
summaries in Russian and Engl.])

TEXT: The mixture $\text{Cl}_n\text{Si}(\text{OCH}_3)_{4-n}$ (I) was obtained from the reaction of SiCl_4 with various quantities of CH_3ONa in xylene. I ($n = 0$) was produced in ether. 0.75 mole SiCl_4 was added drop by drop over 20 min., with vigorous agitation, to produce a suspension of CH_3ONa (from 0.5 mole Na and 0.5 mole CH_3OH) in 130 ml xylene; this was agitated (2 hr, $\sim 20^\circ\text{C}$, 2 hr, $\sim 100^\circ\text{C}$) and I ($n = 3$) was isolated, yield 52.5 %, b. p. $77-79^\circ\text{C}/764\text{mm}$. The remaining forms of I were obtained in a similar manner (value of n, yield in %, b. p. in $^\circ\text{C}/\text{mm}$): 0, 66.9, 121-123; 1, 15.6, 112-114; 2, 22.4, 100-102/766.7. [Abstracter's note: Complete translation.] ✓

Card 1/1

S/081/62/000/016/012/043
B168/B186

AUTHORS: Radecki, Aleksander, Piękoś, Ryszard

TITLE: Synthesis and properties of aralkoxybromsilanes. I. Phenoxybromsilanes

PERIODICAL: Referativnyy zhurnal. Khimiya, no. 16, 1962, 235, abstract 16Zh272 (Roczn. chem., v. 35, no. 4, 1961, 869-878 [Pol., summaries in Russian and Engl.])

TEXT: Reaction of RH (in all cases $R = C_6H_5O$) with $SiBr_4$ produced the mixture R_nSiBr_{4-n} (I), which was separated by distillation. I (n = 3) could not be isolated from the reaction mixture as its boiling point was close to that of I (n = 4). Reaction of I (n = 3) with $SiBr_4$ produced mixture I, which was difficult to separate. I (n = 4), b. p. 282/285^o/90 mm, $n_D^{17} 1.5711$, $d_4^{17} 1.305$, was obtained by heating I (n = 1-2) with RH for 4 hr. Depending on the facility of the reaction with Na (xylene, 8-16 hr), $I(n=3) > I(n=2) > I(n=1)$. In addition, I (n = 4), RNa and,

Card 1/2

Synthesis and properties of...

S/081/62/000/014/012/043
B168/B186

apparently, R_6Si_2 were formed. 2.4 mole RH was added, with agitation, to 1.2 mole $SiBr_4$; after completion of the vigorous reaction this was boiled for 1 hr, and the following were isolated by distillation: 56 g I (n = 1), b. p. 207-209°/260 mm, n_D^{20} 1.5612, d_4^{19} 2.031, d_4^{25} 1.988 and 12 g I (n=2), b. p. 267-269°/260 mm, n_D^{20} 1.5637, d_4^{20} 1.563, the remainder was mixture I (n = 3.4). [Abstracter's note: Complete translation.]

Card 2/2

RADECKI, Aleksander; PIEKOS, Ryszard

On the utility of the lower esters of orthocyclic acids
for the manufacture of hydrophobic glass surfaces. *Przem
chem* 39 no. 4: 237-241 Ap '60.

1. Katedra Chemii Nieorganicznej i Analitycznej, Wydział
Farmaceutyczny, Akademia Medyczna, Gdansk

PIEKOS, Ryszard; RADECKI, Aleksander

Alkoxybromosilanes. Roczniki chemii 34 no.1:311-313 '60.
(EEAI 10:9)

1. Department of Inorganic Chemistry, Faculty of Pharmacy, Medical
Academy, Gdansk.

(Alkoxy groups) (Bromosilane)

RADECKI, Aleksander; PIEKOS, Ryszard

Establishment of the optimum conditions for the synthesis of silicon tetrabromide. Roczniki chemii 34 no.5:1235-1243 '60.
(KEAI 10:9)

1. Department of Inorganic Chemistry, Faculty of Pharmacy, Medical Academy, Gdansk.

(Silicon bromides)

PIEKOS, Ryszard; RADECKI, Aleksander

N-propoxy-2-naphthoxysilanes. Roczniki chemii 34 no.1:71-76 '60.
(EAI 10:9)

1. Department of Inorganic Chemistry, Faculty of Pharmacy, Medical
Academy, Gdansk.

(Propyl alcohol) (Naphthol) (Silane)