

PETRAKOV, B.D.

Organization and work of a prophylactic disinfection department in a rural area. Gig. i san. 22 no.12:52-53 D '57 (MIRA 11:3)

1. Iz Saratskoy rayonnoy sanitarno-epidemiologicheskoy stantsii Odenskoj oblasti.

(SANITATION

in Russia in rural areas (Rus)

(RURAL CONDITIONS,

sanit. protection in Russia (Rus)

Петраков
PETRAKOV, B.D.

Preventive measures in reducing the incidence of intestinal infections in a rural area. Vrach.delo supplement '57:67-68 (MIRA 11:3)

1. Saratskaya rayonnaya sanitarno-epidemiologicheskaya stantsiya
Odesskoy obl.
(INTESTINES--DISEASES)

PETRAKOV, B.D., aspirant

Origin and results of Health Month in Lesogorskiy District, Leningrad Province. Zdrav.Ros.Feder. 2 no.6:17-21 Je '58. (MIRA 11:5)

1. Iz kafedry organizatsii zdravookhraneniya i istorii meditsiny (zav.-prof. B.S. Sigal) Leningradskogo sanitarno-gigiyenicheskogo meditsinskogo instituta (dir.-prof. A.Ya. Ivanov)
(LESOGORSKIY DISTRICT--HEALTH EDUCATION)

PETRAKOV, B.D., sanitarnyy vrach

Organizing the work of active public health workers. Gig. i san.
23 no.2:55-58 F '58. (MIRA 11:4)

1. Iz saratskoy rayonnoy sanitarno-epidemiologicheskoy stantsii
Odesskoy oblasti.

(PUBLIC HEALTH,
organiz. (Rus))

PETRAKOV, H.D. (Poselok Sarata Odeskoy oblasti)

Role of feldsher-midwife stations in providing better disinfection in
a rural district. Fel'd. i akush. 23 no.4:42-44 Ap '58. (MIRA 11:4)
(DISINFECTION AND DISINFECTANTS)

PETIAKOV, B.D. (Poselok Sarata Odesskoy oblasti)

Work in health education in a rural district. Fel'd. i akush.
23 no.4:48-49 Ap '58. (MIRA 11:4)
(HEALTH EDUCATION)

PETRAKOV, B.D.

Problems of hygiene and prophylaxis in the works of A.N. Radishchev.
Trudy ISGMI 45:81-87 '58 (MIRA 11:11)

1. Kafedra istorii meditsiny Leningradskogo sanitarno-gigiyenicheskogo meditsinskogo instituta (zav. kafedroy - prof. B.S. Sigal).
(PUBLIC HEALTH)
(RADISHCHEV, ALEKSANDR NIKOLAEVICH, 1749-1802)

PETRAKOV, B.D., aspirant.

Planning and organizing compound sanitary and antiepidemic measures
in rural districts and an analysis of their effectiveness. Zdrav. Ros.
Feder. 3 no.4:7-11 Ap '59. (MIRA 12:4)

i. Iz kafedry organizatsii zdravookhraneniya i istorii meditsiny (zav. -
prof. B.S. Sigal) Leningradskogo sanitarno-gigiyenicheskogo meditsinskogo
instituta (dir. - prof. A.Ya. Ivanov).
(PUBLIC HEALTH, RURAL)

PETRAKOV, B.D., aspirant (Leningrad)

Health education and public health work with volunteer aid
aspect of the activity of the feldsher-midwife center. Fel'd
i akush. 24 no.4:46-50 Ap '59. (MIRA 12:5)
(PUBLIC HEALTH, RURAL)

PETRAKOV, B.D., Cand Med Sci — (diss) "^{case}Experiment^{the} in planning and
organizing^{ation of} complex sanitary and antiepidemic measures in ~~the~~
rural regions and ~~an~~ analysis of ^{its} effectiveness." Len, 1959,
20 pp (Min of Health RSFSR. Len Sanitary Hygiene Med Inst)
200 copies (KL, 36-59, 119)

PETRAKOV, B.D.

Epidemiological and sanitary service in a rural area. Vrach.delo
no.523-525 My '59. (MIRA 12:12)

1. Kafedra organizatsii zdravookhraneniya i istorii meditsiny (zav. -
prof. B.S. Sigal) Leningradskogo sanitarno-gigiyenicheskogo meditsin-
skogo instituta.

(LENINGRAD PROVINCE--PUBLIC HEALTH, RURAL)
(MEDICAL PERSONNEL)

ZEBOL'D, A.N., prof.; BOL'SHEMYANNIKOV, A.I., dotsent; PETRAKOV, B.D.,
assistant

Consulting bureau as one of the forms of practical aid from the
institute to the public health agencies. Zdrav.Ros.Feder. 4 no.11:
24-27 '60. (MIRA 13:11)

1. Iz Leningradskogo gosudarstvennogo instituta usovershenstvovaniya
vrachey imeni S.M.Kirova (dir. - dotsent A.Ye.Kiselev).
(PUBLIC HEALTH)

SIBIRKIN, N.V., doktor meditsinskikh nauk; PETRAKOV, B.D. (Leningrad)

Organization of scientific and practical assistance of the
Institute for the Advanced Training of Physicians to public
health agencies and institutions. Sov. zdrav. 19 no.7:14-19
'60. (MIRA 13:8)

1. Iz Leningradskogo ordena Lenina gosudarstvennogo instituta
usovershenstvovaniya vrachey im. S.M. Kirova (dir. - dotsent
A.Ye. Kiselev).

(PUBLIC HEALTH)

PETRAKOV, B.D.

"Exchange of experience in public health work" Reviewed by
B.D.Petrakov. Sov. zdrav. 19 no. 8:78-79 '60. (MIRA 13:10)
(PUBLIC HEALTH)

PETRAKOV, B.D., assistant (Leningrad)

Efficient organization of the work of subprofessional medical personnel
in the epidemiological service. Fel'd. i akush. 25 no.6:35-37 Je
'60. (MIRA 13:9)

(LENINGRAD PROVINCE--PUBLIC HEALTH)
(WORK MEASUREMENT)

PETRAKOV, B.D., assistant

Establishing normal standards in urban and rural areas for
sanitary and epidemiological service. Gig. i san. 25 no. 6:76-
80 Je '60. (MIRA 14:2)

1. Iz Leningradskogo ordena Lenina instituta usovershenstvovaniya
vrachey imeni S.M. Kirova.
(PUBLIC HEALTH)

PETRAKOV, B.D. (Leningrad)

Measures for the improvement of the feldsher's diagnosis of
infectious diseases in rural districts. Fel'd. i akush. 25 no.9:
34-38 S '60. (MIRA 13:9)
(PUBLIC HEALTH, RURAL) (COMMUNICABLE DISEASES)

PETRAKOV, B.D., assistant

Basic operative documentation at feldsher-midwife centers and the
familial medical and hygienic passport. Zdrav. Ros. Feder. 5
no. 2:34-37 F '61. (MIRA 14:2)

1. Iz kafedry organizatsii zdravookhraneniya Leningradskogo
instituta usovershenstvovaniya vrachey imeni S.M. Kirova
(dir. - dotsent A.Ye. Kiselev).
(MEDICAL RECORDS)

SIBIRKIN, N.V.; PETRAKOV, B.D.

The Institute's practical aid to rural health departments. Zdrav.
Ros. Feder. 5 no.9:19-23 S '61. (MIRA 14:9)

1. Iz Leningradskogo Lenina instituta usovershenstvovaniya
vrachey imeni S.M.Kirova (rektor - dotsent A.Ye.Kiselev).
(LENINGRAD PROVINCE--PUBLIC HEALTH, RURAL)

PETRAKOV, B.D., kand.med.nauk

Some new forms and methods of sanitary education and organization of the public for work in the polyclinics of Leningrad. Zdrav. Ros.Feder. 6 no.10:20-24 0 '62. (MIRA 16:4)

1. Iz kafedry organizatsii zdravookhraniya (ispolnyayushchiy obyazannosti zaveduyushchego B.D.Petrakov) Leningradskogo gosudarstvennogo ordena Lenina instituta usovershenstvovaniya vrachey imeni S.M.Kirova (rektor - dotsent S.N.Polikarpov). (LENINGRAD--SANITARY AFFAIRS) (LENINGRAD--MEDICAL SOCIAL WORK)

PETRAKOV, B. D., kand. med. nauk (Leningrad)

Organizing the control of tuberculosis in a rural area and the
tasks of medical and obstetrical stations. Fel'd. i akush. 27
no.6:49-53 Je '62. (MIRA 15:7)

(TUBERCULOSIS--PREVENTION)

DEMIDOV, Vladimir Aleksandrovich; PETRAKOV, Boris Dmitriyevich;
KHROMOV, Boris Mikhaylovich; GOL'DZIL'BER, E.M., red.;
KOROLEV, A.V., tekhn. red.

[New forms of organization and methods for the work in city
polyclinics; works experience of Polyclinic No.37 in Leningrad]
Novye formy organizatsii i metody raboty gorodskikh poliklinik;
iz opyta raboty polikliniki No.37 Leningrada. Moskva, Medgiz,
1963. 96 p. (MIRA 16:5)
(LENINGRAD--HOSPITALS--ADMINISTRATION)

PETRAKOV, B.D., dotsent (Leningrad)

Major problems of the organization of sanitary epidemiological
care in enlarged districts. Zdrav.Ros.Fed. 7 no.4:3-6 Ap '63.
(MIRA 16:4)

(PUBLIC HEALTH, RURAL)

PETRAKOV, B.D., dotsent

"Dispensary service for students of professional and technical educational institutions in the USSR" by M.P.Motorina. Reviewed by B.D.Petrakov. Zdrav. Ros. Feder. 7 no.5:37-38 My'63.

(MIRA 16:6)

1. Kafedra organizatsii zdravookhrameniya Leningradskogo gosudarstvennogo instituta dlya usovershenstvovaniya vrachey.

(STUDENTS—HEALTH AND HYGIENE)

(HOSPITALS—OUTPATIENT SERVICES) (MOTORINA, M.P.)

PETRAKOV, B.D., dotsent

Organizing control of intestinal infections among children in a rural region. Fel'd. i akush. 28. no.3: 8-12 Mr'63.(MIRA 16:7)

1. Iz kafedry organizatsii zdravookhraneniya Leningradskogo gosudarstvennogo ordena Lenina instituta usovershenstvovaniya vrachei imeni S.M.Kirova.

(INTESTINES—DISEASES) (CHILDREN—DISEASES)

PETRAKOV, B.I.

Publications contributed for the past several years to the
Soviet press. (Soviet press, Moscow, Oct. 1964, p. 10.)

PETRAKOV, B.I.

Stresses in the walls of soft containers when liquid petroleum products are transported in them by trucks. Izv.vys.ucheb.zav.; neft' i gaz 7 no. 1:85-89 '62. (MIRA 17:7)

GASKAROV, N.; PETRAKOV, D.; IZIBAYEV, I.

Results of cooperation. Pozh.delo 8 no.2:14 F '62. (MIRA 15:2)
(Coke industry--Fires and fire prevention)

PETRAKOV, I.; SEMUSHIN, A.

Final examinations for the eight-year school. Mat. v shkole no.1:
35-37 Ja-F '63. (MIRA 16:6)
(Mathematics--Examinations, questions, etc.)

LYUBIN, V.P.; PETRAKOV, I.I.

Moustier site Zolotarikha near Belev (Tula Province). Biul.
Kom. chetv. per. no.29:171-174 '64. (MIRA 17:8)

15(2)
AUTHORS: Petrakov, I. I., Imatov, N. N. SOV/72-58-12-8/23

TITLE: A Diminution of Waste Tiles by Modifying the Charge Composition (S izmeneniyem sostava shikhty umen'shilsya brak plitok)

PERIODICAL: Steklo i keramika, 1958, Nr 12, pp 26 - 27 (USSR)

ABSTRACT: At the Voronezhskiy keramicheskij zavod dlya proizvodstva oblitsovochnykh plitok (Voronezh Ceramic Factory for the Production of Lining Tiles), the following standard charge was used: 28% of "New Swiss" clay, 31% of strengthened kaolin, 21% of quartz sand, and 20% of cullet. The output of usable products did not amount to more than 65-75%, which is to be regarded as a deficiency common to all ceramic factories. At the Voronezh factory the dependence of quality on the content of lean components in the charge was investigated experimentally and it was further determined, which raw material is to bear the expense of the necessity to reduce the percentage of plastics. The experimental results are mentioned in the table. The

Card 1/2

A Diminution of Waste Tiles by Modifying the Charge
Composition

SOV/72-58-12-8/23

amount of lean components must be increased in the charge by the introduction of burnt kaolin. The content of plastic components in the charge must be fixed with 48-50%. Kaolin must be burnt at temperatures of from 1200 to 1280°. The following mass composition is recommended for the tile production: 23% of quartz sand, 30% of clay, 10-15% of cullet, 20% of unburnt kaolin, and 17-12% of burnt kaolin. The Voronezh factory has taken up the processing of this mass, thus increasing the output of usable tiles up to 90%, which the authors, however, describe as not being a final figure. There is 1 table.

ASSOCIATION: Voronezhskiy keramicheskiy zavod (Voronezh Ceramic Factory)

Card 2/2

PETRAKOV, I.S. (Moskva)

Teaching the ninth grade geometry course in the 1963/64 school-
year. Mat. v shkole no.4:69-70 J1-Ag '63. (MIRA 16:9)
(Geometry—Study and teaching)

PETRAKOV, I.S., metodist po matematike

Results of the tests in mathematics given by the Ministry of
Education of the R.S.F.S.R. in May 1962. (MIRA 16:1)

1. Ministerstvo prosvashcheniya RSFSR.
(Mathematics--Problems, exercises, etc.)

MOROZOVA, Ye.A.; PETRAKOV, I.S. (Moskva)

Fourth International Mathematical Olympiad. Mat.v shkole no.6:
54-55 N-D '62. (MIRA 16:1)
(Mathematics—Competitions)

FETRAKOV, I.S. (Moskva)

Second All-Russian Mathematical Olympiad. Mat.v shkole no.4:29-32
Jl-Ag '62. (MIRA 15:11)

(Mathematics--Competitions)

PETRAKOV, I.S. metodist

Methodology consultation. Mat. v shkole no.6:60-61 H-D '59.
(Geometry--Study and teaching) (MIRA 13:3)

GEL'FAND, M.S.; GLEYZER, G.D.; PETRAKOV, I.S.; PROSTOSERDOV, V.P.;
SAAKYAN, S.H. (Moskva)

Structure and content of the mathematics course in grades
9-11 of the evening (staggered) secondary general schools.
Mat. v shkole no.3:46-47 My-Je '62. (MIRA 15:7)
(Mathematics--Study and teaching)

PETRAKOV, I.S.

New programs. Mat.v shkole no.4:17-25 J1-Ag '60. (MIRA 13:9)

1. Konsul'tant-metodist Ministerstva prosveshcheniya RSFSR.
(Mathematics--Study and teaching)

PETRAKOV, I.S., metodist

Methodology consultation. Mat. v shkole no.5:55-56 S-0 '59.
(MIRA 13:2)

1.Glavnoye Upravleniye shkol Ministerstva prosveshcheniya RSFSR.
(Mathematics--Study and teaching)

PETRAKOV, I.S.; ZOLOTOVITSKIY, Ye. N. (Reutovo)

In the Moscow Province Institute for Improvement of the
Training of Teachers. Mat. v shkole no.2:84-87 ^{Mr-Apr '59.}
(MIRA 12:6)
(Mathematics--Study and teaching)

PETRAKOV, I.S. (Reutovo Moakovskoy oblasti).

Activities of the Mathematical Section of the Moscow Regional
Institute for Training of Teachers. Mat. v shkole no.4:94-95
S-0 '57. (MLRA 10:8)
(Mathematics--Study and teaching)

PETRAKOV, I.S. (Routovo Moskovskiy obl.)

Methodical work in mathematics. Mat. v shkole no. 4:36-40 J1-Ag
'58. (MIRA 11:7)

(Mathematics--Study and teaching)

~~PYTRAKOV~~, I.S. (Rentovo Moskovskoy oblasti).

Summer courses for teachers of mathematics in the Moscow Province.
Mat. v shkole no.6:86 B-D '56. (MIRA 16:1)
(Moscow Province--Mathematics--Study and
teaching)

PETRAKOV, I.S.

ANDRONOV, I.K., professor; BERZANSKAYA, Ye.S.; GLAGOLEV, N.S.; DEPMAN, I.Ya., professor; ZOLOTOVITSKIY, Ye.N.; IL'IN, A.Ye., dotsent; LYAPIN, S.Ye., MULYARCHIK, M.Z., uchitel'; PETRAKOV, I.S.; CHICHIGIN, V.G.

Aleksandr Nikolaevich Barsukov. Mat. v shkole no.1:72-74 Ja-F '57.
(MIRA 10:2)

1. Moskovskiy oblastnoy pedagogicheskiy institut (for Andronov).
 2. Zaveduyushchiy kafedroy metodiki matematiki Moskovskogo pedagogicheskogo instituta imeni V.I. Lenina (for Berzanskaya).
 3. Metodist Shcherbakovskogo rayona goroda Moskvy (for Glagolev).
 4. Leningradskiy pedagogicheskiy institut (for Depman).
 5. Metodist Balashikhinskogo rayona Moskovskoy oblasti (for Zolotovitskiy).
 6. Moskovskiy pedagogicheskiy institut imeni V.I. Lenina (for Il'in).
 7. Zaveduyushchiy kafedroy metodiki matematiki Leningradskogo pedagogicheskogo instituta imeni A.I. Gertsena (for Lyapin).
 8. Shkola No.29 goroda Moskvy (for Mulyarchik).
 9. Zaveduyushchiy kabinetom matematiki Moskovskogooblastnogo instituta usovershenstvovaniya uchiteley (for Petrakov).
 10. Zaveduyushchiy kafedroy metodiki matematiki Moskovskogo pedagogicheskogo instituta imeni V.P. Potemkina (for Chichigin).
- (Barsukov, Aleksandr Nikolaevich, 1891-)

PETRAKOV, I.S. (Moskva)

All-Russian Mathematics Olympiad. Mat. v shkole no.4:9-14
Jl-Ag '61. (MIRA 14:8)
(Mathematics--Competitions)

PETRAKOV, I.S. (Moskva)

Encourage the young talents to grow. Mat. v shkole no.1:13-15 Ja-F '61.
(MIRA 14:3)

(Mathematics--Contests)

ZGLOTOVITSKIY, Ye. N.; PETRAKOV, I. S. (Reutovo, Moskovskoy oblasti).

In the Moscow Province Institute for Teacher Training. Mat. v shkole
no. 2:93-95 Nr-Ap '58. (MIRA 11:2)

(Mathematics--Study and teaching)

GROMOV, A.P. (Melekes); PETRAKOV, I.S. (Moskva)

Use of slides in mathematical instruction. Mat. v shkole
no.2:87-88 Mr-Apr '61. (MIRA 14:4)
(Mathematics--Audio-visual aids)

PALASTIN, L.M., kand.tekhn.nauk; KOROLIKHIN, V.I., inzh.; BOLDYSHEV, A.V.,
inzh.; PETRAKOV, M.D., inzh.; FEDOROV, V.S., inzh.

Salient pole synchronous generators with mixed excitation. Vest.
elektrom. 33 no.8:17-23 Ag '62. (MIRA 15:7)
(Electric generators)

PETRAKOV, Nikolay Yakovlevich, st. nauchn. sotr.; GLYAZER, L.,
red.

[Profitability and price] Rentabel'nost' i tsena. Mo-
skva, Izd-vo "Ekonomika," 1964. 171 p. (MIRA 17:6)

1. Gosudarstvennyy nauchno-issledovatel'skiy ekonomicheskiy
institut Gosplana SSSR (for Petrakov).

PETRAKOV, N.K., veterinarnyy vrach.

**Treating endometritis with purified penicillin. Veterinaria 30
no.5:28 My '53. (MLRA 6:5)**

1. Krasnopolyanskiy RSKhO.

PETRAKOV, N. K.

Treatment of endometrites with purified penicillin.

SO: Veterinariya; 30 (5) May 1953

Veterinarian, Krasnopolyanskiy Rayon Department of Agriculture, Sverdlovsk oblast.

PETRAKOV, S.M.

Possibility of the transfer of textile industry enterprises to
the steamless technology. Tekst. prom. 25 no.5:81-83 My '65.
(MIP' 18:5)

1. Nachal'nik filiala otdela ekonomiki promyshlennosti GKTB
Sredneaziatskogo soveta narodnogo khozyaystva.

PETRAKOV, V.

Reconditioning starter brushes. Avt. transp. 41 no.3:54
Mr '63. (MIRA 16:4)

(Automobiles—Starting devices)

KHARAKHASH, V.G., inzh.; YAROZHEVSKIY, S.A., inzh.; ALEKSEYEV, N.N.,
inzh.; KOLESNIK, N.A., inzh.; FRIDMAN, O.A., inzh.; GRUBA, A.I.,
inzh.; GRIN', L.V.; PETRAKOV, V.I.

Electric insulation coatings on the inside surface of battery
boxes of electric mine locomotives. Ugol' Ukr. 10 no. 1:
31-33 Ja '66. (MIRA 18:12)

1. Ukrainskiy nauchno-issledovatel'skiy institut plasticheskikh
mass.

BGATOV, V.I.; AKUL'SHINA, Ye.P.; BUDNIKOV, V.I.; GERASIMOV, Ye.K.;
GUROVA, T.I.; KAZANSKIY, Yu.P.; KAZARINOV, V.P.;
KONTOROVICH, A.E.; KOSOLOBOV, N.I.; LIZALEK, N.A.;
MATUKHIN, R.G.; MATUKHINA, V.G.; PETRAKOV, V.U.; RODIN,
R.S.; SAVITSKIY, V.Ye.; SHISHKIN, B.B.; GRIN, Ye.P.,
tekhn. red.

[Lithoformational analysis of sedimentary rocks] Litologo-
formatsionnyi analiz osadochnykh tolshch. Pod red. V.I.
Bgatova i V.P.Kazarinova). (MIRA 16:7)

1. Sibirskiy nauchno-issledovatel'skiy institutu geologii,
geofiziki i mineral'nogo syr'ya.
(Rocks, Sedimentary--Analysis)

PETRAKOV, V.D.

Role of disinfection in lowering the incidence of dysentery and other acute intestinal infections. Zhur.mikrobiol.epid.i immun. 32 no.2:32-36 F '61. (MIRA 14:6)

1. Iz Veliko-Mikhaylovskoy rayonnoy bol'nitsy.
(DYSENTERY) (DISINFECTION AND DISINFECTANTS)

PETRAKOV, V.U.

New data on the stratigraphy of the Lower Paleozoic of the
Turukhan region. Dokl. AN SSSR 152 no.6:1436-1438 0 '63.

(MIRA 16:11)

1. Sibirskiy nauchno-issledovatel'skiy institut geologii,
geofiziki i mineral'nogo syr'ya. Predstavleno akademikom
A.L. Yanshinym.

MIKUTSKIY, S.P.; PETRAKOV, V.U.

Stratigraphy of Silurian sediments in the Siberian Platform.

Mat.po geol.Zap.Sib. no.63:94-102 '62.

(MIRA 16:10)

MIKUTSKIY, S.P.; PETRAKOV, V.U.

Tectonics of the Yenisey Valley portion of the northern Siberian
Platform. Trudy SNIIGGIMS no.7:46-57 '61. (MIRA 16:7)

(Yenisey Valley---Geology, Structural)

3 (5)

AUTHOR:

Petrakov, V. U.

SOV/20-127-3-50/71

TITLE:

New Data on the Stratigraphy of Cambrian-Ordovician Sediments in the Basin of the River Kureyka

PERIODICAL:

Doklady Akademii nauk SSSR, 1959, Vol 127, Nr 3, pp 651-654 (USSR)

ABSTRACT:

Since 1955 the Yenisey Expedition of the Institute mentioned in the Association (directed by S. P. Mikutskiy) has carried out a multi-purpose investigation of supporting exposures of the Paleozoic of the west-Siberian plateau from the river Bakhta to the Noril'sk Rayon. On account of the investigation results the former stratigraphic schemes, especially those of the sediments mentioned in the title, were given a precise description. The oldest deposits on the river Kureyka are cream-colored and dark brownish-grey porous dolomites found in the upper and middle course of the river Munduyka (left tributary to the river Kureyka). Figure 1 shows a geological map of the region along the rivers mentioned. Figure 2 contains a summarized stratigraphic column of the above sediments. A. F. Abushek and B. I. Dragunov found pieces of trilobites on the right bank of the Kureyka 3 km below the mouth of the river Pelyadka. N. Ye. Chernysheva classified these pieces. The question as to whether the strata

Card 1/3

New Data on the Stratigraphy of Cambrian-Ordovician
Sediments in the Basin of the River Kureyka

SOV/20-127-3-50/71

containing them belong to the Upper Cambrian or to the Lower Ordovician, however, cannot be definitely solved by this classification. A. A. Vysotskiy took part in disclosing fossils. A. V. Rosova and N. P. Kul'kov made further classifications. On account of the results obtained the author draws the following conclusions: (1) On the basis of new faunal discoveries the predominantly grey calcareous mass has to be considered Upper Cambrian and not Ordovician as has been done so far. (2) The higher deposited sediments up to the Middle-Ordovician terrigenous horizons correspond to the Ust'-Kutskiy and Chun'skiy stage of the Lower Ordovician. (3) There are no traces of erosion at the boundary between the Lower and Middle Ordovician. There are 2 figures and 3 references, 2 of which are Soviet.

ASSOCIATION: Sibirskiy nauchno-issledovatel'skiy institut geologii, geofiziki i mineral'nogo syr'ya g. Novosibirsk (Siberian Scientific Research Institute of Geology, Geophysics, and Mineral Raw Materials, City of Novosibirsk)

Card 2/3

PETRAKOV, Yakov Kuz'mich; MIZIKEVICH, Sergey Petrovich; STARCHAKOVA,
I.I., red.; MEDRISH, D.M., tekhn. red.

[Fair in Luzhniki]IArmarka v Luzhnikakh. Moskva, Gostorgizdat,
1962. 45 p. (MIRA 16:3)

(Moscow--Fairs)

PETRACEK, O., inz. (Praha); PETRACKOVA, J., inz. (Praha)

Effect of pressure on the luminescence of zinc sulfide
powder; baroluminescence; discussion. Jemna mech opt
8 no. 12: 394 D '63.

L-57765-65 EWP(z)/EWT(m)/EWT(d)/T/EJA(d)/EWP(t) EWP(b) EJV/JD

ACCESSION NR: AR5012864

UR/0276/65/000/004/B035/B035
621.785.533

SOURCE: Ref. zh. Tekhnologiya mashinostroyeniya. Svochnyy tom, Abs. 4E294

26
3

AUTHORS: Ruznetsov, L. I.; Patrakova, E. S.; Postyka, V. V.; Paranongva, M. V.; Yevl'son, G. Ye.

TITLE: Nitrogen case hardening of heavy duty gears

CITED SOURCE: Sb. Liteyn. proiz-vo i term. obrabotka. Omsk, 1964, 169-180

TOPIC TAGS: gear, case hardening, nitrogen case hardening, carburizing, heat treatment/20Kh2N4A steel, 18Kh2N4VA steel

TRANSLATION: It is shown that gas carburizing of ¹⁶gears made of steel 20Kh2N4A and 18Kh2N4VA may be replaced by nitrogen case hardening. The optimal conditions: for details with the nominal layer depth of 0.8-1.5 mm -- nitrogen case hardening at the temperature of 900C, ammonia consumption 6 liters/minute; for details with layer depth of 1.5 mm -- nitrogen case hardening at the temperature of 920-930C, ammonia consumption 4-5 liters/minute. The advantages of the exchange: shortening of time spent on thermochemical treatment; a possibility of eliminating normalization from

Card 1/2

L-57765-65

ACCESSION NR: AR5012864

the cycle of subsequent heat treatment; shortening of the heat treatment time after nitrogen case hardening by diminishing the holding time in high temperature tempering from 7 to 3.5-4 hours. A drawing of apparatus for nitrogen case hardening is presented. Five illustrations and a bibliography of 19 entries are included.

SUB CODE: IE

ENCL: 00

Card 2/2

L 53718-65 EWP(m)/EWP(z)/T/EWP(b)/EWA(d)/EWP(w)/EWP(t) MJW/JD

ACCESSION NR: AR5013017

UR/0137/65/OCG/004/1046/1046
669.14.018.298

26
24
8

SOURCE: Ref. zh. Metallurgiya, Abs. 4I285

AUTHOR: Kuznetsov, L. I.; Petrakova, E. S.; Shaposhnikova, L. Ya.; Chernoray, L. S.

TITLE: A comparative study of the mechanical and engineering properties of 20Kh2N4A, 18Kh2N4VA and 15KhNG2VA steels

CITED SOURCE: Sb. Liteyn. proiz-vo i term. obrabotka. Omsk, 1964, 181-197

TOPIC TAGS: alloy steel, metal mechanical property

TRANSLATION: 15KhNG2VA steel is proposed as a substitute for 20KhN4A and 18KhN4VA steels which are used in machine building for making heavily loaded parts. This steel has a reduced nickel content and is at least as good mechanically as 18Kh2N4VA. The properties of 15KhNG2VA steel are: σ_s --115-120 kg/mm²; σ --95-100 kg/mm²; δ --12%; ψ --55%; a_k --10-11 kg/mm². 15KhNG2VA steel may be used in the case-hardened state, as well as in the tempered state since it has high hardenability. For higher contents of Cr (1.15-1.45%) and Mn (1.8-2.2%) this steel can be easily

Card 1/2

* Source gives this as 18Kh2N4VA

L 53718-65

ACCESSION NR: AR5013017

2

carburized, while the presence of Si (0.17-0.37%) and Ni (1.0-1.3%) decreases the ability of the steel to supersaturate its surface layers with carbides. The steel has a low limit of cold brittleness and is easily machined and pressed. L. Koblikova.

SUB CODE: MM

ENCL: 00

* Source gives this as 18Kh2N4VA

pb
Card 2/2

Trifanov, A.A.

Resorption of cartilage of the transitional epiphyse of
inducing osteogenesis in the surrounding connective tissue.
Biol. eksp. biol. i med. 1978-1979, 1: 1-5.

1. Otdel radiats. onkol. i fr. khimii i immunologii (niv. -
deystvitel'nyy otdel ONK) prof. V.M. Troitskiy (nauka i
Instituta epidemiologii i mikrobiologii imeni Gamalei) dir.
prof. G.V. Iarova. Akad. med. nauk.

PETRAKOVA, K.V.; TOLSTAYA, G.A.; FIDENSHTEYN, A.Ya.

Bone formation following marrow transplantation in diffusion chambers. Biol. eksp. biol. i med. 56 no.12:87-91 1964.

USSR 17:111

I. Otdel razvatsionnoy mikrobiologii i immunologii (zav. M.Ya. Lunanyan), instituta epidemiologii i mikrobiologii imeni Garasheva (dir. - prof. G.A. Vershilova) ANI SSSR, Moskva.

PETRAKOVA, K.V. (Moskva, G-2, Starokonyushenny per., 19. kv.35)

Heterotopic ossification in the rat kidney in ischemia. Ark .
anat., gist. i embr. 44 no.5:112-116 My '63. (MIRA 7:6)

1. Otdel radiatsionnoy mikrobiologii i immunologii (zav.-deystv.
chlen AMN SSSR prof. V.L. Troitskiy) Instituta epidemiologii i
mikrobiologii imeni pochetnogo akademika N.F. Gamaleya AMN SSSR,
Moskva.

PETRAKOVA, L. A.

24-10-10/26

AUTHORS: Glazov, V. M., Mirgalovskaya, M.S. and Petrakova, L. A.
(Moscow)

TITLE: New semi-conductor materials with a chalcopyrite structure.
(Novyye poluprovodnikovyye materialy so strukturoy
khalkopirita)

PERIODICAL: Izvestiya Akademii Nauk SSSR, Otdeleniye Tekhnicheskikh
Nauk, 1957, No.10, pp.68-70 (USSR)

ABSTRACT: The aim of the here described work was to produce and
investigate twelve compounds of the ABX_2 type
where A - Cu, Ag; B - Al, Ga, In; X - Se, Te.
The synthesis of the compounds was effected directly by
melting the elements inside evacuated and sealed quartz
ampules. The compounds containing aluminium were
synthesized in graphite crucibles with a lid which were
also placed into evacuated and sealed quartz ampules. It
was found that all the compounds had a similar structure;
substitution of copper by silver produced on the X-ray
pictures a splitting of the lines which is attributed to
an appreciable change in the ratio of the lattice parameters.
The results of determination of the lattice parameters of
the compounds by means of X-ray structural analysis are
entered in the Table, p.70 for twelve compounds. The

Card 1/2

PETRAKOVA, L. V.

Effect of different cultivation methods on the moisture conditions of leached Chernozem soils in Chelyabinsk Province. Nauch. dokl. vyz. shkoly; biol. nauki no.3:199-202 '62.

(MIRA 15:7)

1. Rekomendovana kafedroy pochvovedeniya Omskogo sel'skokhozyaystvennogo instituta.

(CHELYABINSK PROVINCE—SOIL MOISTURE)
(CHERNOZEM SOILS)

YUR'YEV, B.P.; PETRAKOVA, L.S.

Investigating the electrochemical properties of a magnesium
electrode. Trudy LPI no.223:97-108 '63.

(MIRA 17:11)

PIRK, F.; PETRAKOVA, M.

The significance of the most frequent errors causing uneven darkening of roentgen pictures. *Cesk.rentg.* 15 no.2:139-143
Ap '61.

1. Ustav pro vyzkum vyzivy lidu, Praha-Krc, Budejovicka 800,
reditel doc. MUDr. Josef Masek.
(RADIOGRAPHY)

PIEK, F.; PETRAKOWA, M.; BROZEK, M.

Our experience with automatic measuring of blackening of the film
with the aid of the amplimat. Cesk.rentg.14 no.6:416-418 D'60.

1. Ustav pro vyzkum vysivy lidu, Praha-Krc, reditel doc. MUDr.
Josef Masek, Chirana, n.p. Praha-Modrany.
(RADIOGRAPHY equip & supply)

RABKIN, Semen L'vovich; MIRATOV, Igor' Vladimirovich; SHIRYAYEV, Grigoriy
Anatol'yevich; SLAVIN, D.S., otv.red.; PETRAKOVA, Ye.P., red.
izd-va; BERESLAVSKAYA, L.Sh., tekhn.red.

[Sectional reinforced concrete constructions for mine support]
Sbornye zhelezobetonnye konstruktsei shakhtnoi krepil. Moskva,
Gos.nauchno-tekhn.izd-vo lit-ry po gornomu delu, 1959. 227 p.

(MIRA 12:12)

(Mine timbering)

(Precast concrete construction)

SHIRAY, Yevgeniy Nikolayevich; TRUPAK, N.G., doktor tekhn. nauk, prof.,
retsenzent; BRODSKIY, I.A., otv. red.; PETRAKOVA, Ye.P., red.
izd-va; LOFILINA, L.N., tekhn. red.; MINSKER, L.I., tekhn. red.

[Vibration method of shaft sinking in shifting sands] Vibrometod
pri prokhodke stvolov shakht v plyvunakh. Moskva, Gos.nauchno-
tekhn.izd-vo lit-ry po gornomu delu, 1961. 99 p. (MIRA 14:11)
(Shaft sinking)

- DYKHOVICHNYY, Abram Ionovich; RABINOVICH, I.M., prof., retsenzent; KISELEV, V.A., prof., retsenzent; SNITKO, I.K., prof., otv.reu.; PETRAKOVA, Ye.P., red.izd-va; KOROVSHEKOVA, Z.A., tekhn.red.

[Structural mechanics; abridged course] Stroitel'naya mekhanika; sokrashchenny kurs. Izd.3., perer. Moskva, Ugletekhizdat, 1959. 342 p. (MIRA 12:4)

1. Rukovoditel' kafedry stroitel'noy mekhaniki Voenno-inzhenernoy akademii imeni V.V.Kuybysheva (for Rabinovich). (Structures, Theory of)

PETRAKOVICH, G.E., ordinator

On use of angiorrhaphic apparatus in suturing the ureter injured during surgery. Akush.i gin. 37 no.2:78-80 P '61. (MIRA 14:3)

1. Is Kostinskoy oblastnoy onkologicheskoy bol'nitsy (glavnyy vrach Z.A. Bunatyan) Moskovskoy oblasti.
(~~URETERS~~—SURGERY) (SUTURES)

PETRAKOVICH, V.Ye.; PODUROVSKAYA, O.M.; TUR'YAN, Ya.I.

Comparison of platinum oxide and glass indicator electrodes in acid-base titration. Effect of nonaqueous solvents, the nature of the titrant, and various additions. Zhur. anal. khim. 20 no.8:785-789 '65. (MIRA 18:10)

1. Nauchno-issledovatel'skiy i proyektnyy institut azotnoy promyshlennosti, Moskva, i Yaroslavskiy nauchno-issledovatel'skiy institut monomerov.

PETRAKOVICH, V.Ye.

Oxidized platinum electrode in electrometric analysis. Zhur. anal.
khim. 18 no.10:1161-1168 O '63. (MIRA 16:12)

1. Nauchno-issledovatel'skiy i proyektnyy institut azotnoy
promyshlennosti i produktov organicheskogo sinteza, Moskva.

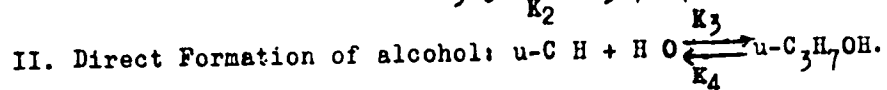
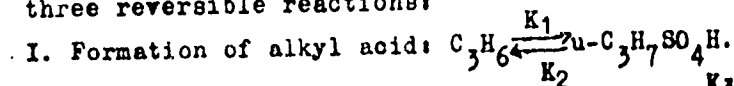
AUTHORS: Entelis, S. G., Petrakovich, V. Ye., Korovina, G.V., 20-114-4-46/63
Chirkov, N. M.

TITLE: The Kinetics of the Formation of Alcohol and Alkyl Acid in the Reaction of Propylene With a Water Solution of Sulphuric Acid.

(Kinetika obrazovaniya spirta i alkilkisloty pri reaktsii propilena s vodnoy sernoy kislotoy)

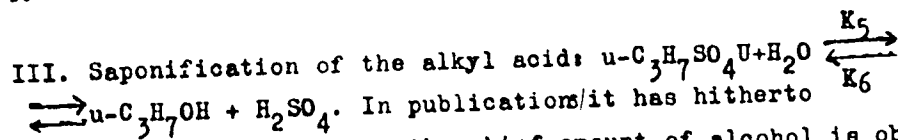
PERIODICAL: Doklady Akademii Nauk SSSR, 1957, Vol. 114, Nr 4, pp. 848-851 (USSR)

ABSTRACT: A number of papers was devoted to the investigation of the absorption kinetics of olefines by sulphuric acid. The majority of the works, that of Rustamov excepted, have a common fundamental deficiency: they were performed under conditions in which the absorption velocity is limited by diffusion processes. The authors studied the absorption kinetics of propylene by 67% -sulphuric acid at 42-90°C and an initial pressure of ~800 torr. The complicated acid-catalytic processes of propylene in sulphuric acid may be described roughly for the dissolution as three reversible reactions:



Card 1/3

The Kinetics of the Formation of Alcohol and Alkyl Acid in the Reaction of Propylene With a Water Solution of Sulphuric Acid. 20-114-4-46/63



not been recorded whether the chief amount of alcohol is obtained by II. or III. However, the fact of a parallel accumulation of alcohol itself excludes reaction III. The experimental curves obtained are compared with the theoretical ones. Two cases were assumed: 1. no saponification of the alkyl acid occurs, 2. alcohol forms parallel to $u-C_3H_7SO_4H$ as well as by saponification of the latter. From the described short analysis it may be concluded that the chief, if not the total, amount of alcohol does not result from saponification of $u-C_3H_7SO_4H$, but develops parallel with it during the C_3H_6 reaction in water. There are 4 figures, 2 tables, and 8 references, 5 of which are Slavic.

ASSOCIATION:

Institute for Chemical Physics of the AS USSR (Institut khimicheskoy fiziki Akademii nauk SSSR)

PRESENTED:
Card 2/3

January 19, 1957 by V. N. Kondrat'yev, Member, Academy of

The Kinetics of the Formation of Alcohol and Alkyl Acid in the
Reaction of Propylene With a Water Solution of Sulphuric Acid

20114-4-46/63

Sciences, USSR

SUBMITTED: January 16, 1957

Card 3/3

PODUROVSKAYA, O.M.; PETRAKOVICH, V. Ye.

Titration of acids and bases by metal oxide electrodes. Zav.
lab.27 no.2:157-159 '61. (MIRA 14:3)

1. Gosudarstvennyy nauchno-issledovatel'skiy i proyektnyy
institut azotnoy promyshlennosti i produktov organicheskogo
sinteza.

(Acids) (Bases (Chemistry))(Electrodes, Oxide)

IVANCHENKO, O.N., inzh.; PETRAKOVSKAYA, M.I., inzh.; GUMENYUK, A.D., inzh.

Heat treatment of fastenings. Mashinostroenie no.4:72-

73 J1-Ag '64.

(MIRA 17:10)

PETRAKOVSKIY, A.P., inzh.; TISHKOV, Yu.Ya., inzh.; TISHCHENKO, O.I., inzh.;
SOLODOVNIKOV, V.V., inzh.

Use of compressed air in intensifying open-hearth smelting with furnace
operation by the scrap process. Stal' 23 no.12:1079-1082 D '63.

1. Zlatoustovskiy metallurgicheskiy zavod.

(MIRA 17:2)

PETRAKOVSKIY, G.A.

Note on the effect of anisotropy of the damping parameter of spin waves on the saturation of ferromagnetic resonance. Izv. vys. ucheb. zav.; fiz. 8 no.6:169-170 '65.

(MIRA 19:1)

1. Sibirskiy fiziko-tekhnicheskiy institut imeni V.D. Kuznetsova.
Submitted May 21, 1964.

L 8601-66

ACCESSION NR: AP5021170
44, 55

AUTHOR: Petrakovskiy, G. A.; Pukhov, I. K.
44, 55

UR/0139/65/000/004/0072/0075
4710

TITLE: Anisotropy and temperature dependence of spin wave damping in single crystals of ferrites

SOURCE: IVUZ. Fizika, no. 4, 1965, 72-75

TOPIC TAGS: ferrite, single crystal, line width, spin wave, temperature dependence

ABSTRACT: The temperature dependence of the anisotropic part of the spin-wave width of the ferromagnetic resonance line was investigated experimentally using single crystals of magnesium-manganese and lithium ferrites. The anisotropic part of the line width was defined as the difference between the spin-wave line widths of the line width was defined as the difference between the spin-wave line widths measured for magnetization of a spherical sample along the [111] and [100] directions. The measurements were carried out by the method of parametric excitation of spin waves by a longitudinal high-frequency magnetic field. The field for which the spin waves are excited most easily, investigated for a sample of magnesium-manganese ferrite, was found to agree with previous theoretical calculations. The temperature dependence of the anisotropy obtained experimentally cannot be explained theoretically if one takes into account only the scattering mechanism proposed for spin waves

Card 1/2

L 8601 66

ACCESSION NR: AF5021170

with $k = 0$ by H. B. Collen and E. Pitteli (Phys. Rev. v. 119, 1523, 1960). In this case it can be assumed that the presence of impurities of divalent ions of iron is important. Orig. art. has: 4 figures and 1 formula. 3

ASSOCIATION: Sibirskiy fiziko-tekhnicheskiy institut imeni V. D. Kuznetsova
(Siberian Physicotechnical Institute) 44, 55

SUBMITTED: 29Dec63

ENCL: 00

SUB CODE: SS

NR REF SOV: 003

OTHER: 003

Cord 2/2 pu

L 6459-66 EWT(1)/EPP(c) IJP(c) WH/GG
ACCESSION NR: AP 01946

UR/0181/65/007/008/2339/2344

AUTHOR: Petrakovskiy, G. A.; Kotlyukov, Yu. N. 44, 65

TITLE: Effect of anisotropic stresses on the frequency spectrum of magnetostatic oscillations 5/03

SOURCE: Fizika tverdogo tela, v. 7, no. 8, 1965, 2339-2344

TOPIC TAGS: elastic stress, vibration spectrum, ferrite, magnetic resonance, yttrium compound, magnetostriction, " 21, 44, 55

ABSTRACT: The authors calculate the influence of isotropic elastic stresses on the spectrum of the frequencies of magnetostatic oscillations, by deriving equations for the resonance fields of magnetization oscillations in a ferrite spheroid subjected to unilateral uniform compression or tension. In addition, the dependence of the resonance fields of the simplest type on the compression stress was checked experimentally for an yttrium ferrite single crystal. A diagram of the test setup is shown in Fig. 1 of the Enclosure. The investigated sample was placed in a waveguide in the antinode of the magnetic microwave field at a distance approximately equal to the electromagnetic wavelength from the short-circuiting plunger. The power reflected from the waveguide section with the ferrite was measured with a waveguide bridge. The influence of the stresses on the resonance

Card 1/3

07011445

I. 6459-66

ACCESSION NR: AP5019846

3

field were measured for three types of modes, (1, -1, 0), (2, -2, 0), and (3, -1, 1) at 9375 Mc at room temperature. The (3, -1, 1) mode was found to be most suitable for the measurements. The saturation magnetization of the ferrite was found to be 1773.0 gauss. In all cases the results of the measurements were in satisfactory agreement with the calculation made and the magnetostatic approximation. It is hoped that the investigated effects will be of use in measurement of the magnetostriction constants of ferrite single crystals. Orig. art. has: 3 figures and 10 formulas.

ASSOCIATION: Sibirskiy fiziko-tehnicheskoy institut im. V. D. Kuznetsova, Tomsk
(Siberian Physicotechnical Institute)

SUBMITTED: 15Feb65

ENCL: 01

SUB CODE: SS, EM

NR REF SOV: 003

OTHER: 005

Card 2/3

L 6459-66
ACCESSION NR: AP5019B46

ENCLOSURE: 01

8

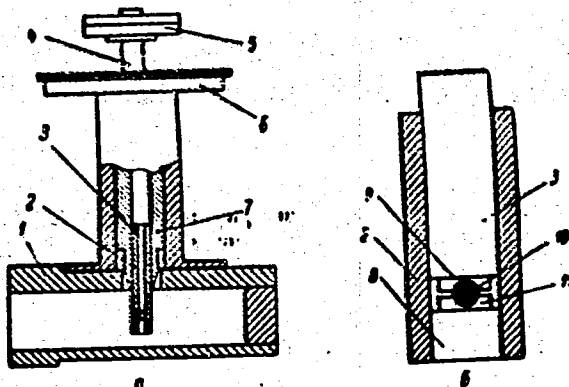


Fig. 1. Diagram of apparatus (a) and magnified sample-clamping device (b).

1 - Waveguide, 2 - ceramic tube, 3 - plunger, 4 - stem,
5 - weights, 6 - dial, 7 - brass tube, 8 - anvil, 9 - upper
glass plate, 10 - ferrite sample, 11 - lower glass plate.

BC

Card 3/3

L 23694-66 EWT(1) IJP(c)

ACC NR: AR6005241

SOURCE CODE: UR/0058/65/000/009/H002/H002

AUTHOR: Petrakovskiy, G. A.

50
B

TITLE: Nonlinear theory of oscillations of the magnetization of a ferrite disc

SOURCE: Ref. zh. Fizika, abs. 9Zh14

REF. SOURCE: Dokl. Nauchno-tekhn. konferentsii, posvyashch. dnyu radio. Tomsk, Tomskiy un-t, 1964, 131-137

TOPIC TAGS: ferrite, magnetization, nonlinear theory, parametric resonance, micro-wave, oscillation

ABSTRACT: A theoretical study was made of the parametric excitation, by means of a longitudinal microwave field, of homogeneous magnetization precession in a disc magnetized parallel to the plane. To find the stationary amplitude and the excitation condition, the Krylov-Bogolyubov method was used. The dependence of the imaginary part of the susceptibility χ'' on the pump power P has the same character as $\chi''(P)$ for the supplementary maximum in the case of perpendicular pumping, as obtained by Suhl (RZhFiz, 1957, no. 5, 12490).

SUB CODE: 20

Card 1/1 fv

L 23247-66 EMT(1)
ACC NR: AP6009150

SOURCE CODE: UR/0139/65/000/005/0128/0133

AUTHOR: Petrakovskiy, G. A.; Berzhanskiy, V. N.

ORG: Siberian Physicotechnical Institute im. V. D. Kuznetsov (Sibirskiy fiziko-
tehnicheskiy institut)

TITLE: Contribution to the nonlinear theory of excitation of spin waves in fer-
rites by a longitudinal microwave magnetic field

SOURCE: IVUZ. Fizika, no. 5, 1965, 128-133

TOPIC TAGS: spin wave, spin relaxation, paramagnetic relaxation, ferrite, para-
metric resonance, microwave, magnetization

ABSTRACT: This is a continuation of an earlier study (Voprosy radioelektroniki,
Ser. III. no. 6, 1962) dealing with the determination of the relaxation pro-
perties of spin waves by paramagnetic excitation with longitudinal magnetic micro-
wave field. Since the theory of paramagnetic excitation has been developed only
in the linear approximation, the authors construct in the present article a non-
linear theory of parametric excitation of spin waves excited in ferrites by a
microwave magnetic field polarized along the direction of the constant magnetic
field. An equation is derived for the alternating magnetization of a ferrite

Card 1/2

L 23247-66
ACC NR: AF6009150

sample in the form of an ellipsoid of revolution situated in a constant magnetic field parallel to the axes of revolution. An asymptotic solution is obtained for this equation and it is shown that the first-order approximation is adequate. The conditions for parametric excitation of the spin waves are determined and the amplitude and the phase of the oscillations of the magnetization of the system are obtained for the stationary case. The frequency interval within which the parametric excitation of spin waves is determined and the stability of the stationary state under parametric-resonance conditions is investigated. The results agree with experimental data within the limits of the assumptions made, and diverge from them at high power, most likely as a result of spin-wave saturation. Orig. art. has: 3 figures and 26 formulas.

SUB CODE: 20/ SUM DATE: 01Feb64/ ORIG REF: 002/ OTH REF: 002

Card 2/2 *AW*

L 6747-65 EWT(1)/EPA(s)-2 Pt-10 IJP(c)/ASD(a)-5/AS(mp)-2/ASD(m)-3/ZSD(ss)/
ACCESSION NR: AP4043867 RAEM(t) GG S/0139/64/000/004/0068/0071

AUTHORS: Petrakovskiy, G. A.; Nayden, Ye. P.; Pukhov, I. K. 65
64

TITLE: Dependence of the rate of spin wave damping on the temperature 21

SOURCE: IVUZ. Fizika, no. 4, 1964, 68-71

TOPIC TAGS: spin wave magnetostriction, temperature dependence, ferromagnetic resonance, ferrite microstructure, crystal lattice structure

ABSTRACT: The method is based on the relation between the spin-wave damping decrement η_k and the spin-wave ferromagnetic resonance line

width ΔH_k . The latter is given by $\Delta H_k = 2\eta_k/|\gamma|$, where $|\gamma|$ -- modulus of magnetomechanical ratio. The authors have determined ΔH_k experimentally by parametric excitation of the spin wave with a micro-

Card 1/4

L 6747-65
ACCESSION NR: AP4043867

0

wave magnetic field, described by one of the authors earlier (G. A. Petrakovskiy, Voprosy radioelektroniki, seriya III, no. 6, 144, 1962). The procedure consisted of applying a microwave pulse 1.9 μ sec in duration, with 200 cps repetition frequency, to a cavity of $Q = 1130$ and resonant frequency 9090 Mc and containing the sample. The signal reflected from the resonator was observed on a pulse oscilloscope screen. The temperature dependence of the spin-wave relaxation in the single-crystal ferrites was measured from room temperature (300K) to the Curie point. The samples constituted single-crystal yttrium and manganese ferrites magnetized in [111] directions. The measurements showed the temperature dependence of the spin wave damping to agree with the theoretical expression and the variation of ΔH_k with temperature to be essentially analogous to the corresponding dependence of the ferromagnetic resonance line width of homogeneous precession of magnetization. The initial variation of ΔH_k is found to be connected with the degree of ordering of the ions

Card 2/4