

L 3170-66

ACCESSION NR: AT5016964

SUBMITTED: 00

ENCL: 00

SUB CODE: NP

NO REF SOV: 002

OTHER: 002

ATD PRESS:
4035

Card 3/3 *md*

I 30103-66 EWT(m)/ETC(f)/EWP(e)/EWP(t)/ETI LJP(c) GG/AT/WH/JH/WW/JD/JG

ACC NR: AP6012509

SOURCE CODE: UR/0181/66/008/004/1288/1290

AUTHORS: Panin, B. V.; Tel'kovskiy, V. G.

86
80
B

ORG: none

TITLE: Pulverization of a substance bombarded by uranium ions

SOURCE: Fizika tverdogo tela, v. 8, no. 4, 1966, 1288-1290

TOPIC TAGS: ion bombardment, uranium, endurance test

ABSTRACT: The authors describe apparatus and a procedure for the measurement of the rate of destruction of structural materials by high-energy neutral or charged particles such as are present in accelerators. The tests were made with 30-kev uranium ions. Inaccuracies of earlier methods are eliminated by bombarding simultaneously a standard copper target, whose pulverization coefficient is known with a high degree of accuracy. The uranium ion current was 1 -- 2 ma/cm². The test procedure is briefly described. The materials tested were ²¹SiO₂, ²¹U₂O₅, ²¹ThO₂, ²¹aluminum, ²¹chromium carbide, fused ²¹MgO, ²¹Ta, ²¹W, ²¹stainless steel, ²¹graphite, ²¹Al₂O₃ (sintered), and ²¹BeO. The volume coefficients of pulverization of

Card

1/3

L 30103-66

ACC NR: AP6012509

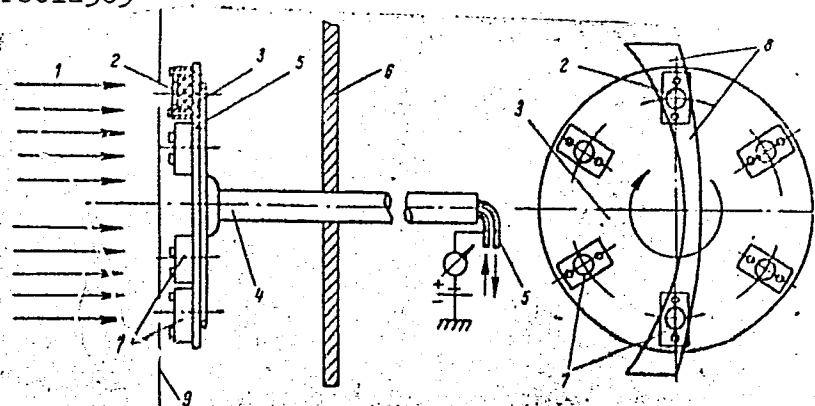


Fig. 1. Apparatus for the investigation of pulverization. 1 -- Directed motion of bombarding ions, 2 -- samples, 3 -- copper rotating disc, 4 -- rod, 5 -- water-cooling pipes, 6 -- vacuum chamber wall, 7 -- sample holders, 8 -- ion beam track, 9 -- stationary diaphragm.

Card

2/3

L 30103-66

ACC NR: AP6012509

6

these substances, relative to copper, are listed in the table. The authors thank L. A. Artsimovich, I. N. Golovin, and G. Ya. Shchepkin for interest and help and G. N. Aretov, V. Z. Bychkov, and A. K. Terent'yev for design of the experimental apparatus. Orig. art. has: 1 figure and 1 table.

SUB CODE: 20/ SUBM DATE: 09Nov65/ ORIG REF: 010/ OTH REF: 005

Card

3/3 10

SOV/137-58-10-21669

Translation from: Referativnyy zhurnal, Metallurgiya, 1958, Nr 10, p 174 (USSR)

AUTHORS: Bol'shanina, M.A., Makogon, M.B., Panin, B.Ye.

TITLE: Resistance-to-deformation Properties of Copper and its Alloys as a Function of Temperature and Rate of Deformation (Temperaturno-skorostnaya zavisimost' soprotivleniya deformatsii medi i yeye splavov)

PERIODICAL: Dokl. 7-y Nauchn. konferentsii, posvyasch. 40-letiyu Velikoy Oktyabr'skoy sots. revolyutsii. Nr 2. Tomsk, Tomskiy un-t, 1957, pp 55-57

ABSTRACT: Resistance to compressive deformation of Cu and its Ni, Al, and Zn alloys (5, 10, and 15 atom-%) which have been subjected to various degrees of work hardening (with reductions of up to 40%) was studied at different strain rates (6, 0.05, and 0.005 mm/min) at seven different temperatures ranging from 20 to 600°C. The results of the investigation demonstrated the complete applicability of theory of hardening and recovery to a wide range of temperatures and rates of deformation. An analogy, established for laws governing the deformation of low-melting metals and Cu alloys, makes it possible to carry out

Card 1/2

SOV/137-58-10-21669

Resistance-to-deformation Properties of Copper and its Alloys (cont.)

research on physical principles of high-temperature plasticity of metals
(as applied to the problem of heat-resistant properties) on modelling
materials.

P.N.

1. Copper--Deformation
2. Copper alloys--Deformation

Card 2/2

PANIN, D. (selo Uvarovo, Tambovskoy oblasti)

Shop superintendent. Prom. koop. 12 no.7:5 J1 '58. (MIRA 11:8)
(Sewing)

PANIN, F. I.

20726. Panin, F.I. Pozharobezopasnost' vzryvnykh rabot na sernom pudnike. Gornyy zhurnal, 1949, No. 7, s. 19-20

SO: LETOPIS ZHURNAL STATEY - Vol. 28, Moskva, 1949

PANIN, F. I.

Kuybyshev Inst. of Epidemiology and Microbiology, (-1944-)

"Determination in vitro of antigenic properties of *S. perfringens* antitoxins according its antitoxin binding capacity."

Zhur. Mikrobiol., Epidemiol., i Immunobiol., No. 9, 1944.

PANIN, F. F.

Kuybyshev Sci. Research Inst. Epidemiology & Microbiology, NKZdrava, RSFSR, (-1944-)

"Experiment with Employment of Concentrated Toxin in Lanolin for Obtaining of the Serum Antiperfirngens,"

Zhur. Mikrobiol., i Immunobiol., No. 10-11, 1944.

PANIN, G., polkovnik

Party propaganda is the work of all communists. Komm. Vozrast.
Sil 3 no.14:30-35 J1 '63. (MIRA 17:9)

KHOMYAKOV, Yu.M.; GLADYSHEV, P.L.; TSYBULINA, Ye.V.; FATULA, M.I.; RYVLIN, Sh.M.; FEL'DMAN, Kh.I.; PANIN, G.A.; KAGANER, A.I.; GAZETOV, B.M.; GORCHAKOV, L.

Brief information. Sov.med. 28 no.4:145-147 Ap '65.

(MIRA 18:6)

1. Fakul'tetskaya khirurgicheskaya klinika Chelyabinskogo meditsinskogo instituta (for Khomyakov, Gladshhev).
2. Kafedra gospi-tal'noy terapii Volgo-rad'skogo meditsinskogo instituta (for Tsybulina).
3. Khustskaya rayonnaya bol'nitsa Zakarpatskoy oblasti (for Fatula).
4. Pervaya bol'nitsa Grekhov-Zuyeva (for Ryvlin).
5. Klinika khirurgii detskogo vozrasta Kiyevskogo meditsinskogo instituta (for Fel'dman).
6. Gospi-tal'naya terapevticheskaya klinika i klinika otorinolaringologicheskikh bolezney Orenburgskogo meditsinskogo instituta (for Panin).
7. Leningradskaya oblastnaya klinicheskaya bol'nitsa (for Kaganer).
8. Khirurgicheskoye otdeleniye Tsentral'noy klinicheskoy bol'nitsy imeni Semashko Ministerstva putey soobshcheniya (for Gazetov).
9. Kafedra organizatsii zdravookhraneniya i istorii meditsiny Saratovskogo meditsinskogo instituta (for Gorchakov).

3/138/63/000/001/005/008
A051/A126

AUTHORS: Reznikovskiy, M. M., Zhbakov, B. I., Panin, G. F.

TITLE: Reconstructed rupturing machine with a heat chamber

PERIODICAL: Kauchuk i rezina, no. 1, 1963, 51 - 55

TEXT: The disadvantages of the PMM -60A (RMM-60A) rupturing machine with a KH -150 (KN-150) heat chamber, used for thermal-resistance testing of rubber, are given: a) the dynamometer gives exact measuring results only for forces exceeding 3 kgf, and in most rubber types, the force, corresponding to 100 - 200% deformations at room temperature does usually not exceed 3 kgf. With an increase in temperature, there is a tendency to a tension drop at a given deformation; b) force measuring errors are introduced by the force transmission system from the sample in the heat chamber to the dynamometer; c) the direct measuring of the useful section by scale ruler or manually shifting the indices is awkward and inaccurate owing to its subjectivity. The ~~НИИШП~~ (НИИШП) laboratory of physico-mechanical measurements has eliminated these shortcomings by developing new units and parts for the above-mentioned machines. An additional indicator dynamometer,

Card 1/2

Reconstructed rupturing machine with a heat chamber

9/138/63/000/001/005/008
A051/A126

designed for a maximum force of 7 kgf, has been introduced for measuring forces at low sample deformations. The dynamometer is connected consecutively to the pendulum dynamometer. The indicator used is manufactured by the Kirov plant "Krasnyy Instrumental'shchik". Friction joints are eliminated. The extensometer for measuring the elongation of the useful sample section, for thermal resistance testing in the thermal chamber, has been improved. The construction of the machine can be carried out in any laboratory. Its two main advantages are: 1) increased accuracy of force-measurement, including that of low values; 2) automation of elongation measurement and determination of tensions at fixed deformations (100, 200%, etc). There are 4 figures, 1 table.

ASSOCIATION: Nauchno-issledovatel'skiy institut shinnoy promyshlennosti
(Scientific Research Institute of the Tire Industry)

Card 2/2

REZNIKOVSKIY, M.M.; KHROMOV, M.K.; PANIN, G.F.

Attachment to the MRS-2 apparatus for the automatic detection of residual deformations during repeated compression. Kauch. i rez. 17 no.3:27-29 Mr '58. (MIRA 11:6)
(Rubber--Testing) (Testing machines)

REZNIKOVSKIY, M.M.; ZHBAKOV, B.I.; PANIN, G.F.

Redesigned tearing test machine with a thermal chamber. Kauch. i
rez. 22 no.1:51-54 Ja '63. (MIRA 16:6)

1. Nauchno-issledovatel'skiy institut shinnoy promyshlennosti.
(Rubber--Testing)

REZNIKOVSKIY, M.M.; LUKOMSKAYA, A.I.; PANIN, G.F.; KALINOVA, L.T.

Practical variant of a method determining the characteristic energy of rubber stripping. Kauch. i rez. 24 no.11:26-29 '65.
(MIRA 19:1)

1. Nauchno-issledovatel'skiy institut shinnoy promyshlennosti.

DMITRIYENKO, Yu.I., inzh.; IVASHIN, V.M., inzh.; MATSYUK, M.F., inzh.;
PANIN, G.G., inzh.; SMIRNOV, N.D., inzh.; YAKOVLEV, N.A., inzh.

Ways of increasing the labor productivity of miners at the
mines of the "Luganskugol'" Combine. Shakht. stroi. 8 no.2:
2-7 F '64. (MIRA 17:3)

1. Normativno-issledovatel'skaya stantsiya kombinata
Luganskugol' (for all, except Yakovlev). 2. KommunarSKIY
gorno-metallurgicheskiy institut (for Yakovlev).

PANIN, G.I., starenny nauchnyy sotrudnik

Vaccination of swine against some infections. Veterinariia 42
no.5:54-55 My '63. (MIRA 18:5)

1. Sibirskiy nauchno-issledovatel'skiy veterinarnyy institut.

S/113/60/000/005/004/004
D264/D301

AUTHORS: Rezvov, K.M., Pavlyuchuk, A.I., Candidates of Techni-
cal Sciences, Panin, G.I., Vologzhaninov, N.I.,
Shkol'nik, A.M., Yakovlev, I.S. and Volkov, L.I.

TITLE: Thermal high frequency welding of plastic carburettor
floats

PERIODICAL: Avtomobil'naya promyshlennost', no. 5, 1960, 41-43

TEXT: TsNITA has developed a device for the thermal high-frequency
welding of carburettor floats made of polycaprolactam. Plain ther-
mal welding was tried but failed to give a reliable hermetic seal.
Gluing gave a good seal but required a prolonged drying time. The
device (Fig. 3) consists of an ЛГА-1 (LGD-1) high-frequency gener-
ator and a semi-automatic welding machine. The use of 2 generator
tubes gives a power of 1 kw and a working frequency of 25 Mc. Power
from the electric motor 4 is transmitted via a gear train and screw
gear to the coaxially mounted cams 5 and 6. The spindle 1 derives
its reciprocation from cam 6, while cam 5 serves to trim off the



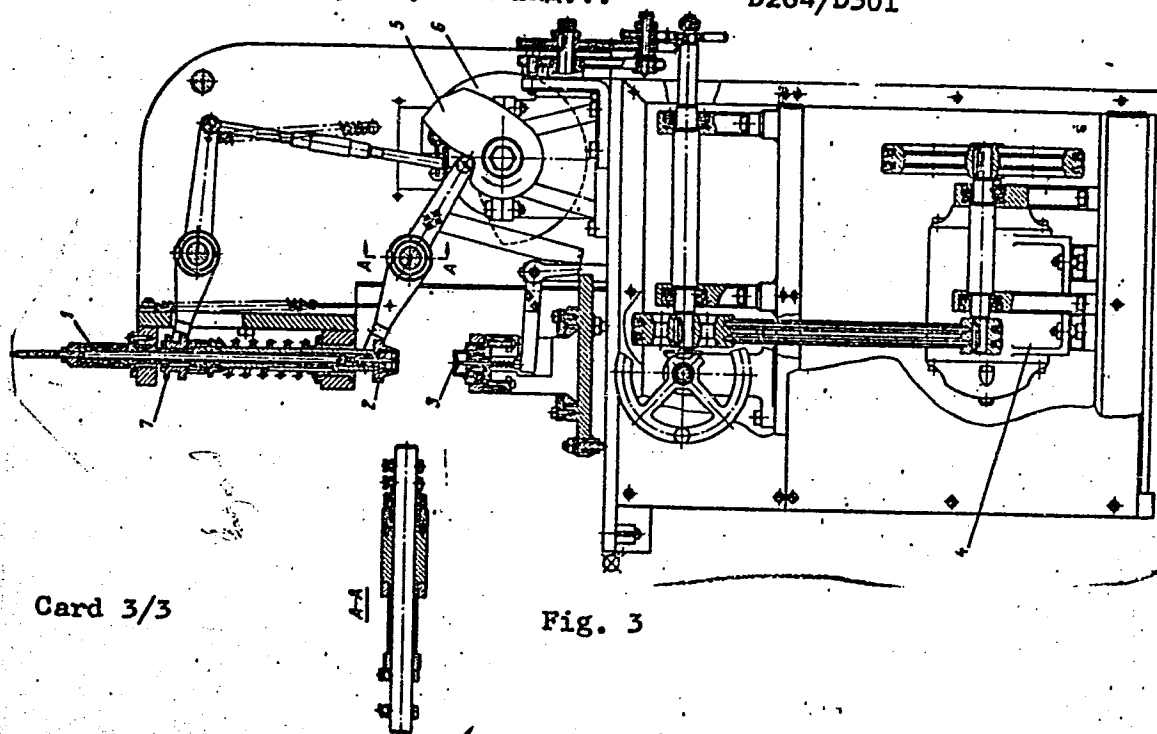
Card 1/3

Card

or Auto-

Thermal high frequency welding...

S/113/60/000/005/004/004
D264/D301



Card 3/3

Fig. 3

30

S/081/61/000/009/012/015
B101/B205

AUTHOR: Panin, G. I.

TITLE: Experience collected in the manufacture of precision pinions with a small module from polycaprolactam

PERIODICAL: Referativnyy zhurnal. Khimiya, no. 9, 1961, 547, abstract 9П54 (9P54) ("Sb. nauchn. tr. Leningr. in-t tochnoy mekhan. i optiki", 1960, vyp.41, 145-151)

TEXT: A description is given of the manufacture of pinions for the plunger of the pump of an AP 20A2 (AR20A2) spray burner from polycaprolactam by pressure casting in a three-celled mold of ЦАМ4-1 (TsAM4-1) zinc alloy. The design of the mold is described. In order to obtain fitting openings with precise dimensions, a metal fitting was used, which had been made by stamping from a 0.50-mm steel strip with subsequent calibration of the fitting opening. It is shown that also the diametral dimensions are stabilized by the use of this fitting. [Abstracter's note: Complete translation.]

Card 1/1

REZVOV, K.M., kand. tekhn. nauk; PAVLYUCHENK, A.I.; VOLODZHEVSKIY, F.I.;
SHOLO'NIK, A.N.; BANTE, G.I.; YAKOVLEV, I.S.

Plastic carburetor floats. Avt.prom. no.2:26-27 F '60.
(KIRA 13:5)

1. Filial Gosudarstvennogo soyuznogo ordena Trudovogo Krasnogo
Znameni nauchno-issledovatel'skogo avtomobil'nogo i avtomotornogo
instituta po toplivnoy apparature.
(Automobiles--Engines--Carburetors)

PANIN, G.V.

Conference of welders of the Donetsk Economic Council.
Avtom. svar. 18 no.8:79 Ag '65. (MIRA 18:11)

PANIN, G. Th...

"Sheep Telasiosis and Control Measures."

SO: Veterinariya, Vol. 20,3/4, March/April 1943, uncl

ANIKIN, N.; PAHIN, I.

He heard Lenin. Starsh.-serzh. no.4(7):2 of cover-1 Ap '61.
(MIRA 14:7)
(Lenin, Vladimir Il'ich, 1870-1924)

PANTIN, IVAN DMITRIYEVICH

1/5
7.6.12
.13

RATSIONALIZATSIYA LITSEYNOGO PROIZVODSTVA: IZ OPYTA "SIBSELMASHA"

(RATIONALIZATION OF FOUNDRY PRODUCTION, BASED ON THE EXPERIMENT "SIBSELMASH")

MOSKVA, MASHOIZ, 1956.

47 P. ILLUS., DIAGRS.

PANIN, Ivan Dmitriyevich; IL'IN, S.S., inzhener; retsenzent (Chelyabinskiy traktornyy zavod); PAZYURA, A.M., inzhener, retsenzent (Chelyabinskiy traktornyy zavod); VOLPYANSKIY, L.M., inzhener, redaktor; DUGINA, N.A., tekhnicheskiy redaktor

[Efficient founding; the experience of the "Sibsel'mash" plant]
Ratsionalizatsiya liteinogo proizvodstva; iz opyta "Sibsel'masha."
Moskva, Gos. nauchno-tekhn. izd-vo mashinostroit. lit-ry, 1956.
47 p. (MIRA 9:11)

(Founding)

PANIN, I.F., Mashinist-instruktor, Geroy Sotsialisticheskogo Truda

A better way to organize the work of locomotive engineer instructors.
Elek. i topl. tiaga # no. 18-19 Iy '61. (MIRA 14:9)

1. Depo Moskva-Sortirovochnaya,
(Locomotive engineers)

DANTSIG, I.I.; PANIN, I.G.

Atelectasis as a complication of artificial pneumothorax. Probl.
tub. 38 no.2:36-41 '60. (MIRA 13:11)

1. Iz Mukhinskogo tuberkuleznogo sanatoriya, Blagoveshchensk-na-Amure.
(PNEUMOTHORAX) (LUNGS--COLLAPSE)

DANTSIG, I.I.; KORSENSKIY, A.D.; PANIN, I.G.

Some features of the clinical picture of pulmonary tuberculoma.
Probl.tub. 37 no.2:33-38 '59. (MIRA 12:9)

1. Iz Mukhinskogo tuberkuleznogo sanatoriya (Amurskaya oblast').
(TUBERCULOSIS, PULMONARY, pathol.
tuberculoma, clin. picture (Rus))

PANIN, I. G.

DANTSIG, I.I.; KORSENSKIY, A.D.; PANIN, I.G.

Pulmonary tuberculosis. Probl.tub. 34 no.6 supplement:8 H-D '56.
(MLRA 10:2)

1. Iz Mikhinskogo tuberkuleznogo sanatoriya (Blagoveshchensk na
Amure)
(TUBERCULOSIS)

POGREBINSKIY, S.H.; DAKESIG, I.I.; PANIN, I.G.

Using koumiss prepared from skimmed cow's milk in certain forms of pulmonary tuberculosis [with summary in English]. Vop.pit. 16 no.4: 33-35 J1-Ag '57. (MLRA 10:10)

1. Iz Mulhinskogo tuberkuleznogo sanstoriya Amurskoy oblasti
(MILK, therapeutic use,
skimmed milk prep. in pulm. tuberc. (Rus))
(TUBERCULOSIS, PULMONARY, therapy,
skimmed milk prep. (Rus))

PANIN, I.G.

DANTSIG, I.I.; PANIN, I.G.

Immediate and late results of artificial pneumothorax associated with antibacterial therapy in focal and infiltrative forms of pulmonary tuberculosis. Probl. tub. 34 no.6 supplement:11-12 N-D '56.
(MLRA 10:2)

1. Iz Mukhinskogo tuberkuleznogo sanatoriya (Blagoveshchersk-na-Amure)
(PNEUMOTHORAX, ARTIFICIAL,
with drug ther. (Rus))

PANIN, I.I., kand.geograficheskikh nauk, dotsent

Distribution of industry and agriculture in Stal'ograd Provinces.

Uch. zap. Volg. gos. ped. inst. no.10:175-186 '59.

(MIRA 14:11)

(Volgograd Province--Industries, Location of)
(Volgograd Province--Agriculture)

PANIN, I.I.

Teaching economic geography and the problems of polytechnic instruction.
Geog. v shkole no.3:25-29 My-Js '53. (MLBA 6:6)
(Geography, Economic--Study and teaching) (Vocational educa-
tion)

PANIN, Illarion Ivanovich; PILATOV, Pavel Nikolayevich; KLEYNMAN, M.Ya.,
red.; ZIBROVA, K.D., tekhn.red.

[Stalingrad; study of economic geography] Stalingrad; ekonomiko-
geograficheskii ocherk. Stalingrad, Stalingradskoe knizhnoe
izd-vo, 1957. 93 p. (MIRA 13:8)
(Stalingrad--Economic geography)

... ..

Mining Engineering

Examining elements of mining work by the method of centrifugal modeling, and determining the time period, Nauch. trudy Mosk. gor. inst., No. 8, 1950.

9. Monthly List of Russian Accessions, Library of Congress, October 1952. ~~1955~~, Uncl.

PANIN, I.M., dots.kand.tekhn.nauk.

Collective forms of progressive work methods in Ural
Mountain copper mines. Nauch.trudy MGI no.13/14:225-235

154.

(Ural Mountains--Copper mines and mining)

(MIRA 10:10)

KAPLUNOV, Riddion Pavlovich; PANIN, Ivan Mikhaylovich; BUBOK, K.G.,
redaktor; BEZKER, O.G., ~~tekhnicheskii~~ redaktor.

[Practice of leading workers in opening and stoping] Opyt pere-
dovyykh rabochikh na podgotovitel'nykh i ochistnykh rabotakh.
Moskva, Gos.nauchno-tekhn. izd-vo lit-ry po chernoi i tsvetnoi
metallurgii, 1955. 112 p. (MLRA 8:8)
(Mining engineering)

YEVSTROPOV, N.A., student V kursa; YEGIAZARYANI, A.S., student V kursa;
PANIN, I.M., nauchnyy rukovoditel', dotsent, kand.tekh.nauk

Some problems in the theory of blasting in rock and the practice
of short-delay blasting in breaking ore in stopes. Nauch. rab.
stud. GNSO MGI no.7:5-24, 1959. (MIRA 14:5)
(Blasting)

PANIN, I.M., dotsent

Selecting efficient thermal flows for the jet piercing of rocks.
Izv.vys.ucheb.zav.; gor.zhur. no.10;71-75 '59.
(MIRA 13:5)

1. Moskovskiy gornyy institut.
(Boring)

PANIN, I.M., dotsent, kand.tekhn.nauk

Economic evaluation of variations in opening up ore deposits.
Nauch. trudy MGI no.38:297-301 '61. (MIRA 15:10)
(Mining engineering)

PANIN, I.M., dotsent, kand.tekhn.nauk; VAN TSZUN-TAN [Wang TSung-t'ang]

Using the method of modeling on an electrical hydrodynamic
apparatus to study the shattering of ore in blasting.
Vzryv. delo no.50/7:44-48 '62. (MIRA 15:9)

1. Moskovskiy gornyy institut.
(Blasting)
(Electromechanical analogies)
(Rocks--Testing)

PANIN, Ivan Mikheylovich; KOVALEV, Igor' Antoninovich; POPOV, G.N.,
prof., doktor tekhn. nauk, retsenzent; CHEREMUSHENTSEV,
I.A., prof., doktor tekhn. nauk, retsenzent; LOBANOV, D.P.,
dots., kand. tekhn. nauk, retsenzent; STEBAKOV, B.A., gorn.
inzh., retsenzent; TARASOV, L.Ya., prof., gornyy inzh.,
otv. red.

[Problems on the underground mining of ore deposits] Zadach-
nik po podzemnoi razrabotke rudnykh mestorozhdenii. Moskva,
Nedra, 1964. 211 p. (MIRA 18:2)

ISAKOV, I.S., prof., admiral flota v otstavke, otv.red.; PETROVSKIY, V.A., dotsent, kand.voyenno-morskikh nauk, kontr-admiral, zamestitel' otv.red-ra [deceased]; DEMIN, L.A., dotsent, kand.geograf.nauk, inzh.-kapitan 1 ranga, glavnyy red.; BERG, S.L., inzh.-mayor, red.; PAVLOVA, O.T., red.; PANIN, I.S., red.; KRONIDOVA, V.A., red.; MARAGINA, A. S., red.; SHIROKOVA, V.S., red.; BOGOLYUBOVA, Ye.D., inzh.-kartograf; BRAILOVSKAYA, Ye.D., inzh.-kartograf; ZININA, Ye.M., inzh.-kartograf; ORLOVA, N.S., inzh.-kartograf; SAVINOVA, G.N., inzh.-kartograf; ALEKSEYEVA, A.V., tekhnik-kartograf; BALAKSHINA, M.M., tekhnik-kartograf; GRIGOR'YEV, A.P., tekhnik-kartograf; DUROVA, T.P., tekhnik-kartograf; MILETINA, M.S., tekhnik-kartograf; SIMAVONOVA, O.B., tekhnik-kartograf; TROPOVA, Z.V., tekhnik-kartograf; SHUMAN, E.E., tekhnik-kartograf; FURAYEVA, Ye.M., tekhn.red.; SVIDERSKAYA, G.V., tekhn.red.; CHERNOGOROVA, L.P., tekhn.red.; SHREYDER, L.Z., tekhn.red.

[Marine atlas] Morskoi atlas. Otv. red. I.S. Isakov. Glav. red. L.A. Demin. Izd. Morskogo general'nogo shtaba. [---Index of geographical names] ---Ukazatel' geograficheskikh nazvaniy. 1952. (MIRA 12:1)
543 p.

1. Russia (1923- U.S.S.R.) Voyenno-morskoye ministerstvo.
(Ocean--Maps) (Harbors--Maps)

PANIN, I. S.

FS 171T59

USSR/Engineering - IC Engines
Bearings

Sep 50

"Economizing on Babbitt in Repairing Internal Com-
bustion Engines," I. S. Panin

"Energet Byull" No 9, pp, 8, 9.

Describes method of saving scarce babbitt metal (es-
pecially B-83) in repairing 4-cycle, 400-hp engine
compressor (176 rpm, ring-oiled). Semicircular rings
were made from cast-iron drum of diameter to fit
bearing grooves. After fitting, timing rings, etc.,
babbitting was done by conventional method with 50%
economy in babbitt.

FDD

171T59

PANIN, I. V.

"Protection of 3-phase motors from 2-phase operation," Industrial Power, 7th edition,
1952.

PANIN, I.V., polkovnik, voyenny letchik pervogo klassa

Before an attack on a land target of small dimensions. Vest.
Vozd. Fl. no.5:41 My '61. (MIRA 14:8)
(Russia--Air force--Target practice)

BOGOMOLOV, A.I.; PANINA, K.I.

Structural group analysis of aromatic hydrocarbon fractions of
petroleum. Trudy VNIGRI no.123:175-188 '58. (MIRA 11:12)
(Petroleum products--Analysis)

PAVLOVSKIY, Ye.N., akademik, glav. red.; MOISEYEV, P.A., otv. red.;
SMIRNOV, A.I., zam. otv. red.; BIRMAN, I.B., red.;
KAGANOVSKIY, A.G., red.; KROGIUS, F.V., red.; KROKHIN,
Ye.M., red.; KURENKOV, I.I., red.; LAGUNOV, I.I., red.;
PANIN, K.I., red.; SEMKO, R.S., red.; PARIN, N.V., red.

[Salmon fisheries of the Far East; materials] Lososevoe kho-
z'yaistvo Dal'nego Vostoka; materialy. Moskva, Nauka, 1964.
201 p. (MIRA 17:9)

1. Soveshchaniye po voprosam lososevogo khozyaystva Dal'nego
Vostoka. 3d, Petropavlovsk-Kamchatskiy, 1960. 2. Vsesoyuznyy
nauchno-issledovatel'skiy institut morskogo rybnogo khozyay-
stva i okeanografii (for Moiseyev). 3. Kamchatskoye otdeleni-
niye Tikhookeanskogo nauchno-issledovatel'skogo instituta
rybnogo khozyaystva i okeanografii (for Semko, Birman,
Krokhin, Kurenkov). 4. Kafedra ikhtiologii Moskovskogo uni-
versiteta imeni M.V.Lomonosova (for Smirnov).

ANDRIYASHEV, A.P.; PANIN, K.I.

Finding the Pacific Ocean sturgeon (*Acipenser medirostris* Ayres) in the Bering Sea. Zool.zhur. 32 no.5:932-936 S-0 '53. (MIRA 6:10)

1. Zoologicheskiy institut Akademii nauk SSSR i Kamchatskoye otdeleniye Tikhookeanskogo instituta rybnogo khozyaystva.
(Bering Sea--Sturgeons) (Sturgeons--Bering Sea)

KIZEVETTER, Igor' Vladimirovich; PANIN, K.I., etv. red.

[Fishing and processing commercial invertebrates of
the Far Eastern seas] Lov i obrabotka promyslovykh
bespozvonochnykh dal'nevostochnykh morei. Vladivostok,
Primorskoe knizhnoe izd-vo, 1962. 222 p.

(MIRA 17:11)

05758

28(5)
AUTHOR:

Panin, K. P.

SOV/32-25-10-47/63

TITLE:

On a Nomograph for the Conversion of Volumes of Air
(Gas) to Normal Conditions

PERIODICAL:

Zavodskaya laboratoriya, 1959, Vol 25, Nr 10, pp 1259-1260
(USSR)

ABSTRACT:

If, when taking a sample, measuring the air (gas) volume is carried out by means of rheometers which are gauged for 20° and 760 Hg, a more precise formula (Ref) than that usually used must be employed. For the simplification of the operations carried out according to this formula a nomograph (Fig) is suggested. By means of a ruler the points corresponding to the respective temperature and pressure are connected (as read off from the rheometer) and the coefficient is read off the point of intersection on the scale of the nomograph, by which the measured value of the volume is multiplied. An example is given. There are 1 figure and 1 Soviet reference.

Card 1/1

PANIN, K.P.

Nomogram for reducing volumes of air (gas) to standard conditions. Zav.lab. 25 no.10:1259-1260 '59. (MIRA 13:1)
(Air)

PANIN, K.P.

Method for determining small quantities of fluorine in air by using
a titanium chromotropic reagent, Gig. i san. 24 no.9:70-73 S '59.

(MIRA 13:1)

1. Iz Moskovskoy gorodskoy sanitarno-epidemiologicheskoy stantsii.
(FLUORINES chem.)
(AIR POLLUTION chem.)

SOV/137-58-11-22205

Translation from: Referativnyy zhurnal. Metallurgiya, 1958, Nr 11, p 53 (USSR)

AUTHORS: Serov, V. N., Panin, K. P.

TITLE: Purification of Gases From Aluminum Cells (Ochistka gazov, otkhodyashchikh ot elektroliznykh vann alyuminiyevogo proizvodstva)

PERIODICAL: Tr. Gos. n. -i. in-ta po promyshl. i san. ochistke gazov, 1957, Nr 1, pp 140-150

ABSTRACT: The results of tests of experimental equipment at an aluminum plant for the purpose of choosing a method of purifying gases and recovering cryolite from used solutions are presented. A 5% aqueous sodium carbonate solution is used as absorbent. 4 types of equipment are tested. Their designs are presented. The method of determining the dust and resin fluoride-compounds content of the gases is elucidated. The results of the tests and the scrubber flowsheets are communicated.
A. K.

Card 1/1

PANIN, L. (g. Pechora, Komi ASSR)

Open letter to E. F. Rudox, Deputy Minister of Transportation.
Sots. trud no.10:100 0 '56. (MLRA 9:11)
(Railroads--Repair shops--Production standards)

1. SHABANOV, S.K. - PANIN, L.P.
2. USSR (600)
4. Geology, Structural - Samarka Valley
7. Geological structure of the basin of the middle course of the Samarka River. (Abstract) Izv. Glav. upr. geol. fon. no.2, 1947

9. Monthly List of Russian Accessions, Library of Congress, March 1953, Unclassified

1. SHABANGOV, S. K. and PANIN, L. P.
2. USSR (600)
4. Samarka Valley - Geology, Structural
7. Geological structure of the basin of the middle course of the Samarka River. (Abstract)
Izv.Glav.upr.geol.fon. no. 2, 1947.

9. Monthly Lists of Russian Accessions, Library of Congress, March 1953, Unclassified.

PANIN, L.Ye.

Effect of ACTH on the development hypercholesteremia in starving rabbits. Vop. med. khim. 11 no.1:75-81 Ja-F '65.

(MIRA 18:10)

1. Kafedra biologicheskoy khimii Leningradskogo sanitarno-gigiyenicheskogo meditsinskogo instituta.

PANIN, I.P.

Participation of insulin and glucocorticoids in the regulation
of cholesterol metabolism. *Biol. eksp. biol. i med.* 59 no.6:
58-62 Ja '65. (MIRA 18:6)

1. Kafedra biokhimi (zav. - dotsent I.A. Serebrennikova) Tomskogo
meditsinskogo instituta.

ANTONESCU, Em.; BALS, St.; GEORGESCU, F.; GEORGESCU, V.; MANTEA,
Gh.; MIHAILESCU, N.; PANIN, N.; TOMESCU, C.

Sedimentologic data on the Senonian-Danian deposits in
the Vintu de Jos Geoagiu region. Studii cerc geol 8
no. 2: 215-234 '63.

1. Comunicare prezentata de academician G. Murgeanu.

PANIN, N.; AVRAM, E.

New traces of vertebrates in the Miocene of the Rumanian sub-Carpathians. Studii cerc geol 7 no.3/4:455-484 '62.

SHPODARENKO, Ivan Panteleymonovich; PANIN, N.S., red.

[Economic efficiency of the use of high-speed tractors]
Ekonomicheskaja effektivnost' ispol'zovaniia skorostrykh
traktorov. Moskva, Kolos, 1965. 102 p. (MIRA 18:7)

ZALEVSKIY, Anatoliy Vasil'yevich, kand. sel'khoz. nauk; DEVYATISIL'NIY Yevgeniy Nikolayevich, agronom-ekonomist; PANIN, N.S., red.

[Economics of the efficient use of machinery on collective farms] Ekonomika ratsional'nogo ispol'zovaniia tekhniki v kolkhozakh. Moskva, Ekonomika, 1964. 141 p.

(MIRA 17:5)

1. Nauchnyy sotrudnik Tsentral'nogo ekonomicheskogo nauchno-issledovatel'skogo instituta pri Gosplane RSFSR (for Zalevskiy).

INATOVSKIY, Pavel Artem'yevich; PANIN, N.S., red.

[Economics of electrification and comprehensive mechanization in animal husbandry] Ekonomika elektrifikatsii i kompleksnoi mekhanizatsii zhivotnovodstva. Moskva, Izd-vo "Ekonomika," 1964. 117 p. (MIRA 17:7)

KARNAUKHOVA, Ye.S., doktor ekonom. nauk; BRAGINSKIY, B.I., doktor ekonom. nauk; MASHENKOV, V.F.; POZDNYAKOV, V.N., kand. ekonom. nauk; ALTAYSKIY, I.P., kandidat ekonomicheskikh nauk; MADATYAN, A.I., nauchnyy sotr.; OBOLENSKIY, K.P., red.; PANIN, N.S., red.; DMITRASHKO, E.I., mladshiy red.; PONOMAREVA, A.A., tekhn. red.

[Methods for measuring, analyzing and planning labor productivity on collective and state farms] Metody izmereniia, analiza i planirovaniia proizvoditel'nosti truda v kolkhozakh i sovkhozakh. Moskva, Ekonomizdat, 1963. 211 p. (MIRA 16:7)

1. Institut ekonomiki AN SSSR (for Madatyan).
(Agriculture--Labor productivity)

PANIN, N.

Coexistence of footprints of the vertebrates with mechanoglyphs
in the Eastern Carpathian Miocene Molasse. Studi care geol
geof geogr 9 no.2:341-363 '64.

1. Enterprise of Prospecting and Laboratories, Geologic Committee.
Submitted April 10, 1964.

KOROVYAKOVSKIY, Dmitriy Zakharovich; PANIN, N.S., red.; PONOMAREVA, A.A.,
tekhn. red.

[Improving the system of the state deliveries of agricultural
products in the U.S.S.R.] Sovershenstvovanie sistemy gos-
darstvennykh zagotovok sel'skokhoziaistvennykh produktov v
SSSR. Moskva, Ekonomizdat, 1963. 156 p. (MIRA 16:8)
(Produce trade)

LEMESHEV, M.Ya.; LAGUTIN, N.S.; GREKULOV, L.F.; KRASNOV, V.D.; PRONIN,
A.A.; YAKOVLEVA, T.V.; ANAN'YEVA, L.P.; KOLOSOVA, Ye.Ya.;
MURASHKO, Yu.V.; GABIDULLIN, V.M.; POPOV, N.I.; POPOV, N.M.;
STUDENKOVA, N.M.; SMYSLOVA, A.S.; PANIN, N.S., red.; PANIN, N.S., red.;
GERASIMOVA, Ye.S., tekhn.red.

[Methods for creating an abundance of agricultural products in
the U.S.S.R.] Puti sozdaniia izobilia sel'sko-khoziaistvennykh
produktov v SSSR. Moskva, Ekonomizdat, 1963. 317 p. (MIRA 16:6)

1. Sektor ekonomicheskikh problem sel'skogo khozyaystva Nauchno-
issledovatel'skogo ekonomicheskogo instituta Gosplana SSSR (for
all except Panin, N.S., Panin, N.S., Gerasimova).
(Farm produce)

KHODASEVICH, Boris Georgiyevich; PANIN, N.S., red.; PONOMAREVA,
A.A., tekhn. red.

[Economics of agricultural transportation] Ekonomika sel'-
skokhoziaistvennykh perevozok. Moskva, Ekonomizdat, 1963.
196 p. (MIRA 16:12)
(Economics of agricultural transportation)

ZHUYKOV, Georgiy Gerasimovich; PANIN, N.S., red.; PONOMAREVA, A.A.,
tekhn. red.

[Original records and control on collective farms] Pervichnyi
uchet i kontrol' v kolkhozakh. Moskva, Ekonomizdat, 1963.
281 p. (MIRA 16:6)

(Collective farms--Accounting)

BOROVIK, Viktor Andreyevich; BORODIN, I.A., doktor ekon. nauk,
prof., nauchn. red.; PANIN, N.S., red.; YEROKHINA, L.,
tekh. red.

[Business accounting on collective farms] Khoziaistven-
nyi raschet v kolkhozakh. Moskva, Ekonomika, 1964. 163 p.
(MIRA 17:1)

(Collective farms---Accounting)

MITYUSHKIN, Timofey Sergeevich; PANIN, N.S., red.; PONOMAREVA, A.A.,
tekhn. red.

[Uniform accounting system in agricultural enterprises] Edinaia
sistema ucheta v sel'skokhoziaistvennykh predpriatiakh. Mo-
skva, Ekonomizdat, 1963. 295 p. (MIRA 16:5)
(Agriculture--Accounting)

KOSHKIN, Anatoliy Geogiyevich; PANIN, N.S., red.; PONOMAREVA, A.A.,
tekhn. red.

[Ways to increase the profitableness of collective farm pro-
duction] Puti povysheniia rentabel'nosti kolkhoznogo proiz-
vodstva. Moskva, Ekonomizdat, 1963. 111 p. (MIRA 16:3)
(Collective farms--Finance)

KOVAL', Timofey Artamonovich; PANIN, N.S., red.; GERASIMOVA, Ye.S.,
tekhn. red.

[Grain farming in the U.S.S.R.] Zernovoe khoziaistvo SSSR.
Moskva, Ekonomizdat, 1962. 219 p. (MIRA 15:11)
(Grain)

PANIN, N.S., inzh.; SHUGAYENKO, V.V., inzh.

Universal adjustable boring chuck equipped with stepped cutters. Energo-
mashinostroenie 4 no.9:42-43 S '58. (MIRA 11:11)
(Drilling and Boring machinery)

PROZOROV, Petr Alekseyevich, dvazhdy Geroy Sotsialisticheskogo Truda;
PANIN, N.S., red.; PONOMAREVA, A.A., tekhn. red.

[Northern beacon] Severnyi maiak. Moskva, Izd-vo ekon. lit-ry,
1962. 156 p. (MIRA 15:4)

1. Predsedatel' kolkhoza "Krasnyy Oktyabr'" Kirovskoy oblasti
(for Prozorov).

(Kirov Province--Collective farms)
(Socialist competition)

BASYUK, T.L., doktor ekon. nauk, prof., red.; OBOLENSKIY, K.P.,
dok r ekon. nauk, prof., red.; FARIN, N.S., red.

[Using mathematical methods for economic studies in
agriculture] Primenenie matematicheskikh metodov v eko-
nomicheskikh issledovaniakh po sel'skomu khoziaistvu.
Moskva, Ekonomika, 1964. 354 p. (MIRA 17:10)

1. Moscow. Vsesoyuznyy nauchno-issledovatel'skiy institut
ekonomiki sel'skogo khozyaystva.

LEPIKHIN, L.A., inzh.; Primalni uchastiye: STEFANOVICH, M.A., doktor tekhn.nauk; BABARYKIN, N.N., kand.tekhn.nauk; NEYASOV, A.G., kand.tekhn.nauk; SHPARBER, L.Ya., inzh.; BOGDANOV, V.V., inzh.; ZHARKOV, P.N., master pechi; PANIN, O.G., master pechi; FEDOTOV, V.G., master pechi; FEOFANOV, N.M., master pechi; SAGAYDAK, I.I., inzh., rukovoditel'raboty

Evaluating the effect of various methods of charging a blast furnace on the state of the gas flow in its upper part. Stal' 23 no. 3:198-204 Mr '64. (MIRA 17:5)

1. Magnitogorskiy metallurgicheskiy kombinat (for Lepikhin).

PANIN, P.D., inzhener.

Installation of RT tube-type arresters on insulators mounted
on hooks. Energetik 4 no.1:29-30 Ja '56. (MIRA 9:4)
(Lightning protection)

PANIN, P. I.

Salt losses from soils and the determination of leaching rates.
Pochvovedenie no.7:31-38 J1 '62. (MIRA 15:10)

1. Azerbaydzhanskiy gosudarstvennyy institut po proyektirovaniyu vodokhozyaystvennykh sooruzheniy.

(Leaching) (Azerbaijan--Saline and alkali soils)

PANIN, P.M., kandidat tekhnicheskikh nauk.

Apparatus for repeated stretching of felt in liquid media.
Leg.prom.16 no.2:38-41 F '56. (MLRA 9:7)
(Felts) (Hats)

PANIN, P.M., kand.tekhn.nauk

Physical and mechanical properties of rabbit and hare fluff. *Leg.prom.*
18 no.4:39-42 Ap '58. (MIRA 11:4)
(Rabbits) (Hares)

PANIN, P.M., kand. tekhn. nauk

Shrinkage of felt hats. Tekst. prom. 19 no.5:43-45 My '59.
(MIRA 12:10)

(Felt work) (Hats)

PANIN, P.M.

Felt shaping machines for the hat industry. Leg. prom. 15 no.6:
23-27 Je '55. (MIRA 8:8)

(Hats)

PANEN, P. M., Engr

"The Influence of the Blocking Process on the Stability of the Shape of Men's Felt Hats." Cand Tech Sci, Moscow Textile Inst, 18 Nov 54. (VI, 9 Nov 54)

Survey of Scientific and Technical Dissertations Defended at USSR Higher Educational Institutions (11)

SO: Sum. No. 521, 2 Jun 55

PANIN, Petr Mikhailovich; KUZ'MICHEV, F.I., kand. tekhn.nauk,
retsenzent; PLEMYANNIKOV, M.N., red.; PYATNITSKIY, V.N.,
tekhn. red.; VINGGRADOVA, G.A., tekhn. red.

[Theory of the felting and forming processes of felt articles]
Teoriia protsessov valki i formovki valianykh izdelii. Mo-
skva, Rostekhzdat, 1962. 157 p. (MIRA 16:5)
(Feltwork) (Wool)

PANIN, P.M., kand.tekhn.nauk

New systems for steaming men's felt hats. Tekst. prom.

20 no. 11:40-44 II '60.

(MIRA 13:12)

(Hats)

(Felt)

PANIN, P.M., kandidat tekhnicheskikh nauk.

Locking action of various media on the elastic deformation of stretched
felt. Leg.prom [16] no.11:28-30 N '56. (MLRA 10:1)
(Felt) (Hats)

PANIN, P.S.

Accumulation of sodium carbonate in ground waters. Trudy Biol. inst. Sib.
otd. AN SSSR no.12:129-139 '67. (MIRA 18:7)

ROGCZIN, V.P.; PANIN, P.S.

Code transmitters are operating faultlessly. Avtom., telem.
i sviaz' 7 no.5:34 My '63. (MIRA 16:7)

1. Starshiy inzh. kontrol'no-ispytatel'nogo punkta Moskovsko-Kiyevskoy distantsii signalizatsii i svyazi Moskovskoy dorogi (for Rogozin). 2. Starshiy inzh. laboratorii avtomatiki i telemekhaniki Moskovskoy dorogi (for Panin).
(Railroads--Signaling--Block system)

PANIN, P.S.

Changes in the percolation of saline soils during the process
of leaching. Pochvovedenie no.5:48-53 My '59. (MIRA 12:8)

1. Azerbaydzhanskiy Gosudarstvennyy institut po proyektirovaniyu
vodnogo khozyaystva, Baku.
(Soil percolation) (Leaching)

PANIN, P.S.

Some characteristics of the vegetative cover of Kashgaria.
Bot. zhur. 45 no.4:583-588 Ap '60. (MIRA 14:5)
(Sinkiang-Uigur Autonomous region--Desert flora)

PANIN, P.S., pochvoved; ARISTARKHOV, A.N., pochvoved

Salt removal from saline soils containing sodium carbonate in
the Karabakh Plain. Gidr. i mel. 13 no.12:44-48 D '61.
(MIRA 14:12)

1. Vsesoyuznyy gosudarstvennyy proyektno-izyskatel'skiy i
nauchno-issledovatel'skiy institut Ministerstva sel'skogo
khozyaystva g. Baku) ~~... ..~~
(Karabakh Steppe--Saline and alkali soils)

PANIN, P.S.

Salt loss from chloride-salinized soils during leaching.
Pochvovedenie no.11:86-96 N '63. (MIRA 16:12)

1. Azerbaydzhanskiy gosudarstvennyy institut po proyektirovaniyu
vodoknozyaystvennogo stroitel'stva.

PANIN, P.S.

Distortion of code impulses in track circuits and methods for preventing it. Avtom., telem. i svyaz' 9 no.4:41-43 Ap '65.

(MIRA 18:5)

1. Starshiy inzh. laboratorii avtomatiki i telemekhaniki Moskovskoy dorogi.

PANIN, P.S.

Device for measuring the duration of impulses and intervals.
Avtom., telem. i sviaz' 9 no.5:28-30 My '65.

(MIRA 18:5)

1. Starshiy inzhener laboratorii avtomatiki i telemekhaniki
Moskovskoy dorogi.

PANIN, P.S.; ARISTARKHOV, A.N.

Characteristics of the chemical properties and permeability to water
of soda-rich salinized soils in the Karabakh Plain, Azerbaijan S.S.R.
Pochvovedenie no.6:12-21 Je '62. (MIRA 15:8)

1. Gosudarstvennyy inzhenerno-proyektnyy institut po vodnomu
khozyaystvu Azerbaydzhanskoy SSR, g. Baku.
(Karabakh Steppe—Soil percolation) (Saline and alkali soils)