

82524

S/O20/tC/133/04/27/03
B004/B056

5 3300
5 190

AUTHORS Ostrovskiy, V. Ye., Kul'kova, N. V., Nedbayeva, A. S.

TITLE The Influence of Selenium and Tellurium Upon the Catalytic Action of Silver in the Oxidation of Ethylene

PERIODICAL: Doklady Akademii nauk SSSR, 1960, Vol. 133, No. 4, pp. 805-807

TEXT: For their experiments the authors used silver sponge, which had been produced by the joint precipitation of silver carbonate, selenate, and tellurate. The selenium compound was tagged with Se^{75} , the tellurium compound with Te^{127} . The reaction with an ethylene - air mixture (2.5 - 3% C_2H_4) occurred at $219^\circ C$ in a continuously operating apparatus (Refs. 2, 4). The purification of C_2H_4 obtained by the reduction of ethanol is described. Among other things, also activated carbon of the types $AC-3$ (AG-3) and AC (AS) was used. The catalytic activity was determined by measuring the constant k_1 of the reaction rate of ethylene oxide

Card 1/3

8252L

The Influence of Selenium and Tellurium Upon the Catalytic Action of Silver in the Oxidation of Ethylene
S/O20/60 133/04/27/031
BOO4/BO56

formation, where k_1 was not equal to unity for the silver catalyst without admixture. The selectivity S was defined as the percentage ratio of k_1 to the sum of the reaction rates of ethylene oxide formation and the oxidation of C_2H_4 to $CO_2 + H_2O$. The relation $\Delta S = S - S_0$ is written down for the change in selectivity under the action of the admixture (S = selectivity with admixture, S_0 = selectivity without admixture) Fig. 1 shows the values for k_1 and ΔS as functions of the concentration of Se and Te.

Special experiments showed that the major part of the admixture was on the surface of the catalyst. An addition of $10^{-4} - 5 \cdot 10^{-3}$ atom% of Se increased the catalytic activity 3.5-fold. A higher selenium concentration poisoned the catalyst. An addition of tellurium did not change the catalytic activity, but also caused poisoning at concentrations above 10^{-2} atom% Te. The concentration of the admixtures was measured by means of an MC-4 (MS-4) type Geiger Mueller counter. The authors assume that with a small admixture of elements of group VI of the periodic system to the

Card 2/3

8252E

The Influence of Selenium and Tellurium Upon
the Catalytic Action of Silver in the
Oxidation of Ethylene

S/O20/60/135/04/27/031
B004/B056

silver catalyst, two effects become active. The first consists in the formation of negative ions (e. g., SeO_3^{2-}), which reduces the adsorption energy of oxygen and accelerates the reaction of the adsorbed oxygen with ethylene. The second effect reduces the activity of the catalyst by blocking its surface by foreign atoms. The admixture of selenium, which is required for maximum activity of the catalyst, is larger than that of sulfur (Ref. 2). In tellurium, only the second effect occurs because of its lower affinity to oxygen. There are 1 figure and 5 references: 5 Soviet, 2 American, 1 French and 1 German.

ASSOCIATION Fiziko khimicheskly institut im L. Ya Karpova
(Physicochemical Institute im. L. Ya. Karpov)

PRESENTED. March 28, 1960 by S. S. Medvedev, Academician

SUBMITTED. March 28, 1960

Card 3/3

VOTYAKOV, V.I.; NEIBAYLIK, A.I.; NEYFAKH, L.G.; LEVIN, M.Sh.

Influence of the composition of VKL culture medium and of the age of the culture on the number of live microbes in dry BCG vaccine. Zdrav. Belor. 5 no.2:17-19 F '59. (MIRA 12:7)

1. Belorusskiy institut epidemiologii, mikrobiologii i gigiyeny.
(BACTERIOLOGY—CULTURES AND CULTURE MEDIA)
(VACCINES)

AID P - 297

Subject : USSR/Aeronautics
Card : 1/1
Author : Nedbaylo, A., Col. of the Guard
Title : Combat Activity of a Soviet Flyer
Periodical : Vest. Vozd. Flota, 7, 9-14, J1 1954
Abstract : All military fliers should always be ready for combat. The author suggests how this should be achieved by training and gives good example of commanders. Stormovik actions during the war are described. Some names of officers are mentioned.
Institution : None
Submitted : No date

GAYDIN, B.M.; NEUBAYDO, G.N.

Automation of the separation of waste and screening. Lit. of zw. no. 1945-46. 3. 1946.

NEDBAYLO, Ye.P., vrach

Conditions of the neurovisual apparatus in inflammatory diseases
of the anterior segment of the eye. Vop.neirooft. 8:111-138 '61.
(MIRA 14:9)

(OPTIC NERVE) (EYE—DISEASES AND DEFECTS)

REPLY TO, A.C. DEPT. OF STATE, WASH. D.C.

Effect of ...
what ...
Is 165.

1. ...
Nov. ...

1966-8-11 / (A) SOURCE CODE: UR/0413/66/000/013/0100/0100

INVENTOR: Nedbaylov, A. M.; Zashchuk, I. V.; Podgornyy, G. V.; Radoshevich, S. P. 77 B

ORG: none

TITLE: Digital automatic velocity meter for shock and sonic waves in various media. Class 42, No. 183462 [announced by the All-Union Scientific Research Institute of Roads and Highways (Vsesoyuznyy dorozhnyy nauchno-issledovatel'skiy institut)] 9M 26

SOURCE: Izobreteniya, promyshlennyye obraztsy, tovarnyye znaki, no. 13, 1966, 100

TOPIC TAGS: velocity measuring instrument, shock wave velocity, ultrasonic velocity

ABSTRACT: This Author Certificate introduces a digital automatic meter for measuring the velocity of shock and sonic waves in various media, such as concrete (see Fig. 1). It consists of a high-frequency generator, a two-channel input device consisting of two piezo-transducers and two identical amplifiers, a delay line, a counter, and an indicator. To increase measurement accuracy and facilitate the taking of readings, to the output of the input devices' amplifiers, which

Card 1/2 UDC: 620.174.16

ACC NR AP6025649

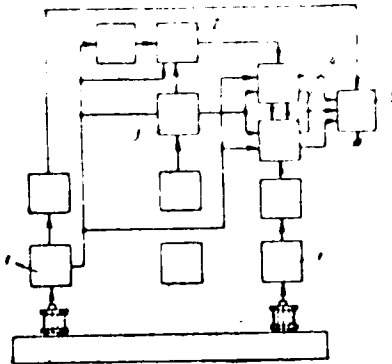


Fig. 1. Digital automatic velocity meter

1 - Input device; 2 - compensation unit; 3 - generator; 4 - two-channel unit; 5 - transducer device.

SUB CODE: 09, 20/ SUBM DATE: 27Jul64

Cord 2/2

generate signals with identical amplitudes and forward edges, is connected a unit for compensating the shock-wave-passage difference between the two piezoelectric transducers with digital count, an impulse-excited digital-impulse generator, a two-channel unit with a counting-trend indicator, and a two-way conversion device with a numerical display. Orig. art. has: 1 figure.

[SA]

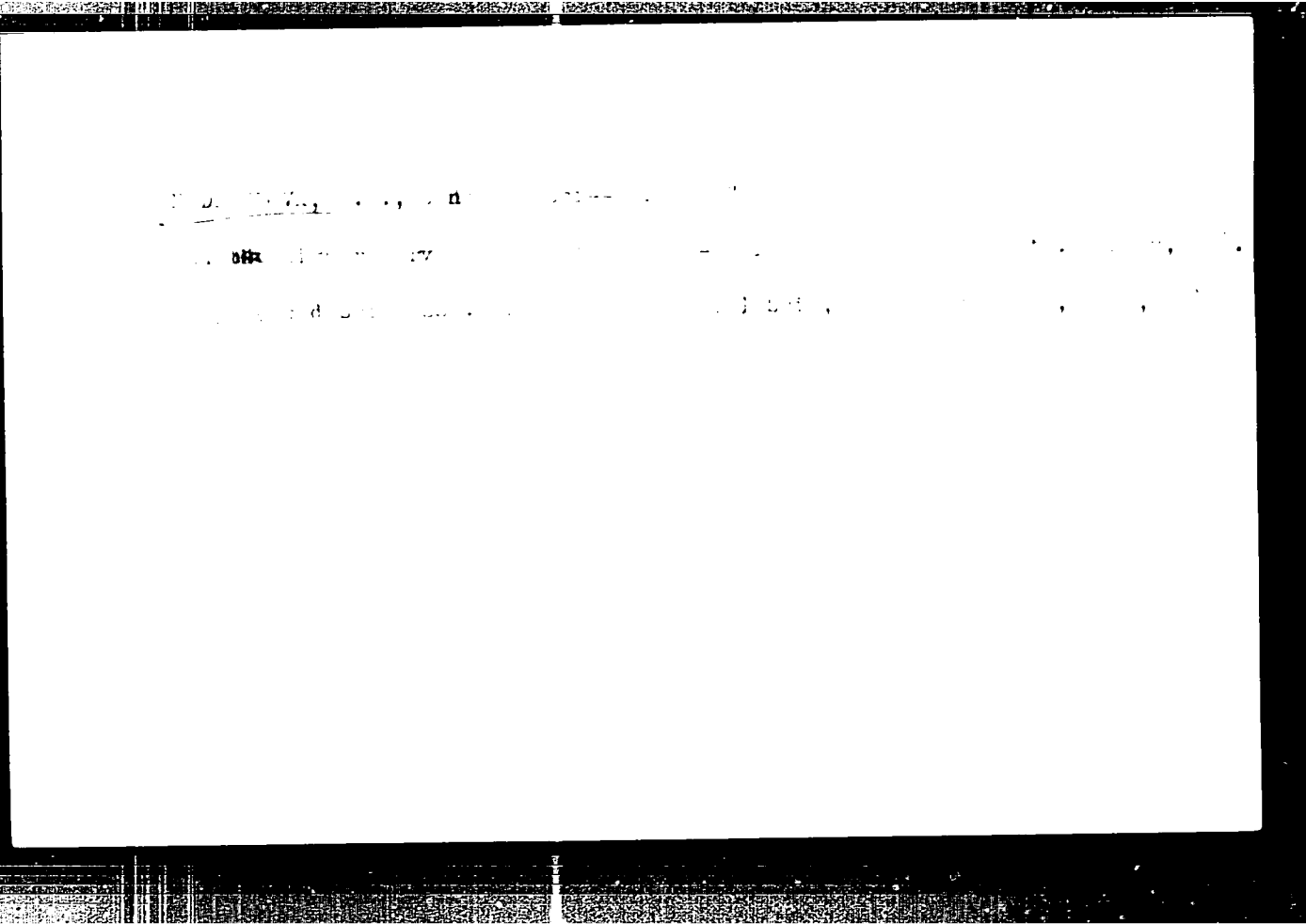
NEDBAYLOVA, T.N.

1/2

The metabolic processes of patients with generalis psychosis, T. N. Nedbaylova. *Fiziol. Zhar., Akad. Nauk Ukr. R.S.R.* 1, No. 8, 88-89 (Russian summary, 90-9) (1955).—A study was made of the metabolic processes of 20 premenstrual psychotic women patients of 42-60 yrs. of age. In the majority of such patients the urea-forming coefficient went down to 40-60 and pyruvic acid excretion increased correspondingly there was observed a frequent high NH₄ coefficient. In some instances a negative N balance was observed. In all patients the Biocalco reaction was positive. Taken in connection with the disturbed urea-forming function of the liver, this can be regarded as an indication of disturbed protein metabolism. Results of a study of carbohydrate and fat metabolism point to a disturbance in the patients' processes of oxidation. The blood pyruvic acid level was 2-3 or more times that of the normal (2.2-8.43 mg. %); an increase in the level of lactic acid was also observed (14.76-33.35 mg. %), but it was not of a general character. The blood ketone level was considerably in excess of the normal (3.03-11.16 mg. %). Incompletely oxidized products of metabolism were found in the urine of all patients. The basal metabolism of such patients was related to their psychic condition: in the state of emotional excitement it was elevated and in the state of depression it was lowered. In either case, however, the respiratory quotient was below 0.71 and at times as low as 0.56, which indicates that the oxidative processes are incomplete. *In vitro* tests were made to determine the effect of patients' blood sera on the respiration of brain tissue. In 80% of tests during the 1st 30 min. incubation the serums of the patients activated only 20-30% of the oxidative processes of brain tissues. This was thought to be due to the presence in the serums of such products of incomplete oxidation as pyruvic and lactic acids which are more easily oxidized *in vitro* than

is glucose. As the time of incubation was prolonged a gradual fall in the rate and extent of the brain tissue respiration was observed. As the mental disease progressed and the somatic and psychic states of the patients became more the *in vitro* oxidation-arresting influences of the patients' tissues rise. The results of the biochemical studies with the presenile psychotic patients indicate that there is a considerable disturbance in the metabolic processes and a lowering and disturbance of the processes of oxidation, all of which cause an accumulation in the organism of toxic end-products of carbohydrate and protein metabolism which may prove to be the cause of presenile psychosis. H. S. Levine

2/2.



HEDBAYLOVA, T.N.

State of the higher nervous activity in presenile psychosis.
[with summary in English]. *Fiziol.zhur. [Ukr.]* 4 no.3:325-332
My-Je '58 (MIRA 11:7)

1. Institut fiziologii im. O.O. Bogomol'tsya AN URSR, viddil
psikhiatrii i patologii vishchoi nervovoi diyal'nosti.
(PSYCHOSES)

NEDBAYLOVA, T.N.

Study of the functional state of the adrenal cortex in patients
with presenile psychoses. Zhur. nerv. i psikh. 60 no. 6:737-741
'60. (MIRA 13:12)

1. Otdel psikhatrii i patologii vysshey nervnoy deyatel'nosti
(ispolnyayushchiy obyazannosti zaveduyushchego P.V. Biryukovich)
Instituta fiziologii imeni A.A. Bogomol'tsa (dir. - prof.
A.F. Makarchenko) AN USSR, Kiyev.
(ADRENAL CORTEX) (PSYCHOSES)

SECRET

1. The following information was obtained from a source who has provided reliable information in the past.

2. The source has provided information that is of a confidential nature and is being provided to you for your information only.

3. This information is being provided to you on a "need to know" basis and is not to be disseminated to other personnel unless specifically authorized by the source.

4. The source has provided information that is of a confidential nature and is being provided to you for your information only.

5. This information is being provided to you on a "need to know" basis and is not to be disseminated to other personnel unless specifically authorized by the source.

NEDBAYUK, N.

301. COKING OF HEAVY RESIDUES FROM SULPHUROUS CRUDES WITH ALUMINUM
CHLORIDE. Krasnyuk, A., Slutskaya, E. and Nedballyuk, N. (Nov. Vest.
Tekst. i Leftepererab. (News Petrol. Tekh., Treat., U.S.S.R.), 1955, (3), 13-20;
abstr. in Ref. Zh. Khim. (Ref. J. Chem., Moscow), 1956, (21), 69429). *Full*
Experiments are recorded on the coking of residual oil, petroleum asphalt and
cracking residues from Tuymazy crude from the Devonian. Raising the proportion
of aluminum chloride to 7% decreased the yield of distillate and increased
the yield of coke and gas and the ash content of the coke, while decreasing the
strength of the coke and its sulphur content (by forming hydrogen sulphide).
The octane number of the gasoline fractions produced was higher, but the
sulphur compounds in them reduced their acceptance of tetraethyl lead, so that
the octane number of the final gasoline was lower.

KRASYUKOV, A.F.; AKIMOV, V.S.; SHEPSHELEVICH, M.I.; SLUTSKAYA, S.M.;
KOLESNIKOV, A.A.; NEDBAYLYUK, N.S.

Delayed coking of heavy petroleum residues. Trudy BashNII MP
no.1:63-79 '59. (MIRA 12:6)
(Petroleum coke)

NEDEA, Ede

The use of natural gas in metallurgy. Koh lap 95 no.5:211-214
My '62.

1. Lenin Kchaszati Muvek.

CZOTTNER, Sandor; KERTAI, Gyorgy, dr.; DANK, Viktor, dr.; HENCZE, Laszlo;
KASSAI, Lajos; WUCSKO, Eva; GALAMBOS, Istvan; NAGY BIRO, Sandor;
TOTH, Janos; NEDEA, Ede; TAKACS, Pal, dr.; SIPOS, Janos; BERECZKY,
Tamas; HALMAY, Jeno; KERESZTES, Matyas, dr.; CORNIDES, Istvan;
BALLA, Sarolta

The 2d Hungarian Conference on Natural Gas. Ipari energia 3
no.10:225-231 0 '62.

1. Nehezipari miniszter (for Czottner).

NEDEBSKA, V.

Hydrogen as a reducing agent; its use and importance. Biol
i khim 6 no. 3:42-45 '63.

1. 34 u-shte.

MEM. BY: [illegible]

[illegible text]

1. General [illegible] of Automobile [illegible] from
Ministry of Transportation and Local Affairs, [illegible].

WEDECZKY, Ivan, dr.

Assessment of damages in automotive transportation. Kozleked
kozl 20 no.4:52-55 26 Ja'64.

NEDKOV, I.

Etak water-powder case catal . . . 3.

Spravochnik po tsvetni metalli i glavi. Sofia, Bulgaria. Vol. 10,
no. 2/9, Aug./Sept. 1959.

Monthly List of East European Accessions (1957-1960), Vol. 4, No. 2,
February, 1960. incl.

NEDEL, M. M.

~~Imidazole derivatives. XIV. Oxidation of benzimidazole and its methyl derivatives. I. S. Elton, H. V. Karomov-Borisov, L. R. Davidenkov, and M. M. Nedel (Leningrad Technol. Inst., Leningrad). *Zhurnal Khim.* 26, 425-4 (1950); cf. *C.A.* 49, 0230j. -- To 70 ml. concd. H₂SO₄ and 65 ml. H₂O was added at 90° 4 g. benzimidazole, followed by 37 g. powd. K₂Cr₂O₇; after 10-15 min. the mixt. was quenched in water yielding 55-7% imidazole-4,5-dicarboxylic acid II, decomp. about 270°. The yield is 67.5-70% in 65-75% H₂SO₄ and drops in more dil. H₂SO₄. Similar oxidation of 2-methylbenzimidazole gave 51-3% 2-methylimidazole-4,5-dicarboxylic acid, decomp. 273°. I (6 g.) in aq. NaOH (1%) treated with Me₂SO, then refluxed briefly after addn. of NH₄OH, immediately filtered and concd. gave 25-7% 1-methylimidazole-4,5-dicarboxylic acid, decomp. 262°. The acid could not be obtained by oxidation of 1-methylbenzimidazole since the stability of the imidazole ring is connected with its tautomeric ability.~~

Chem

00000

SM
Jed

33605

8/678/61/000, 038, 005/009

A057/A126

11.0120

AUTHORS:

Sidorov, R.I., Nedel', M.M., Khvostikova, A.A., Ivanova, L.S.
Kositsyna, E.I.

TITLE:

Investigation of the composition of industrial liquid-phase hydrogenation products. Report 6. Investigation of the composition of the gasoline fraction in the hydrogenation product of petroleum residues

PERIODICAL:

Akademiya nauk SSSR. Vostochno-Sibirskiy filial. Trudy Seriya khimicheskaya, no. 38, Moscow, 1961. Prevrashcheniya aromaticheskikh uglevodorodov v protsesse destruktivnoy gidrogenizatsii., 77 - 86

TEXT:

The composition of the gasoline fraction obtained from a liquid-phase hydrogenation product from ~~mazout~~ of Ramashkin and Andizhan petroleum was investigated in order to improve the efficiency of hydrogenation plants. The amount of the gasoline fraction, separated by fractional distillation in a laboratory-scale column, was 26.1% of neutral oil, 0.67% (2.7% of the methane-naphthenic fraction) of which were hydrocarbons boiling at 20 - 50°C. The

Card 1/3

33605

S/678/6.000.030.000/000
A057/A126

Investigation of the composition of

the uselessness of the investigated gasoline fraction for the chemical industry. The high content of aromatic compounds and the composition of the methane-naphthenic fraction demonstrates on the other hand that the investigated gasoline fraction could be a suitable automobile fuel. There are 1 figure and 5 tables.

Card 3/3

33606

S. 678 of 000 030 04 000
A057A126

5.3300

AUTHORS: Sidorov, R.I., Nedel', M.M., Khvostikova, A.A., Ivanova, I.G.

TITLE: Investigation of the composition of industrial liquid-phase hydrogenation products. Report 7. Investigation of the composition of the hydrogenation product obtained from petroleum residues

PERIODICAL: Akademiya nauk SSSR. Vostochno-Sibirskiy filial. Trudy Seriya khimicheskaya, no. 38, Moscow, 1961. Prevrashcheniya aromati-cheskikh uglevodorodov v protsesse destruktivnoy gidrogenizatsii., 87 - 94

TEXT: Detailed investigations of liquid-phase hydrogenation products obtained under industrial conditions from petroleum residues are important for studying the chemism of these processes and for the exploitation of the products. Results obtained with hydrogenation products of a petroleum residue are presented and discussed in the present paper. By comparison of the present results with those obtained earlier with coal hydrogenation products, some conclusions can be drawn on the effect of the raw material composition

Card 1/3

33606

S/678/61/006/035/006/009

A057/A126

Investigation of

on the yields. A wide fraction of the following composition was used: 91% neutral oil, 1.1% bases, 0.3% compounds extractable with 10% NaOH solution, 1.8% tarry compounds separated by treatment with acid and alkali, 1.5% sulphur, and 3.4% water losses. Only the composition of the neutral oil was investigated in the present experiments. The oil was separated by a laboratory-scale fractional distillation column, and the fractions were treated chromatographically on $\text{CM}(\text{ShSM})$ silica gel. The obtained results demonstrate the considerable effect of the raw material on the yield. The aromatic fractions were investigated in details. The number of carbon atoms in side chains of the molecule of the aromatic hydrocarbons was calculated in an analogous way as suggested by N.R. Hazelwood [Ref. 6: *Analyt. Chem.*, 26, 1073 (1954)]. Calculations made by the Van Nes - Van Westen method gave contradictory results. Crystalline carbazole was found in the wide fraction of the petroleum residue hydrogenation product. A separation of the gasoline fraction is recommended. Another test, related to the effect of the composition of the raw material on the hydrogenation product, was made by chromatographic analysis (using ShSM silica gel) of a mazout obtained from Romashkin petroleum. The following conclusions can be drawn: An almost complete hydrogenation of

Card 2/3

1974

S/678/61 000 03- 006/000
A057/A.26

Investigation of.....

nonsaturated hydrocarbons, conversion of nonhydrocarbons into hydrocarbons, cracking of hydrocarbons with long side chains, hydrogenation of aromatic polycyclic hydrocarbons to hydroaromatic ones with subsequent splitting of naphthenic rings, are resulting in the final product: hydrocarbons with one aromatic ring. These processes occur simultaneously and the relation in the quantity of final products corresponds to the composition of the raw material. There are 5 tables.

X

Card 3/3

KPAUS, Josef, inz., C. Sc.; NEDELA, Vlad., inz.

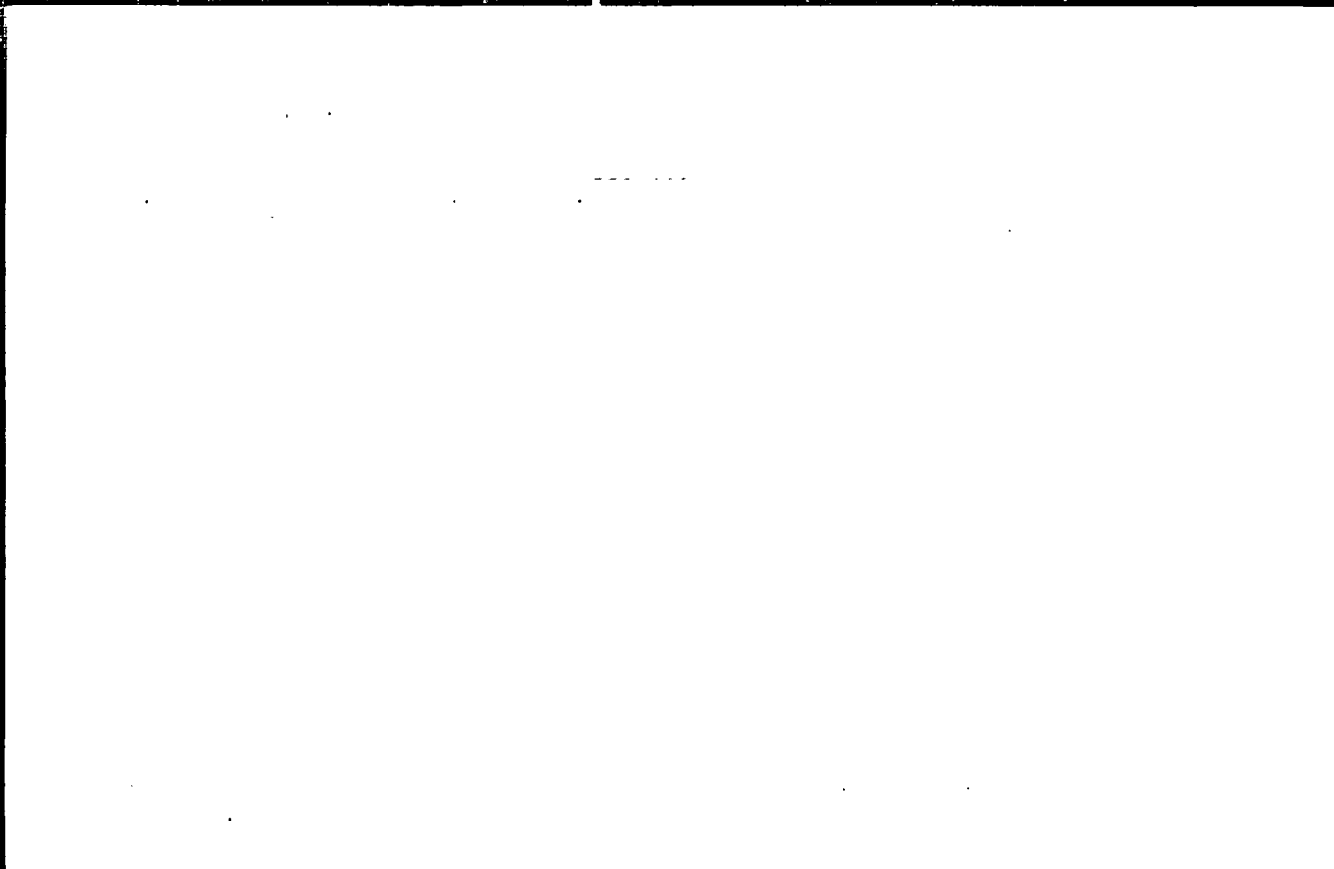
Increasing the bearing capacity of railway tracks by earth stabilization.
Zel dcp tech 10 no. 1:12-14 '62.

NEC... Vladimir, Inc.

Stopping water infiltration in railroad tunnels. All in 1965
12 no 3:54:65 '65.

"APPROVED FOR RELEASE: Wednesday, June 21, 2000

CIA-RDP86-00513R001136



APPROVED FOR RELEASE: Wednesday, June 21, 2000

CIA-RDP86-00513R001136

NEDELICHEV, D.

"The machine-tractor stations in the town of Levski successfully apply the brigade group method in fall and winter repairs.", p. 61, (KOOPERATIVNO S. NEDELICHEV, Vol. 1, #1, Jan, Feb 1951, Bulgaria)

East European Vol 2 #8
SO: Monthly List of ~~Russian~~ Accessions, Library of Congress, August 1953, Uncl.

S/124/63/000/002/003/052
D234/D308

AUTHOR: Nedelchev, Ivan

TITLE: Design of a four-link hinge mechanism, taking into account the transmission angle

PERIODICAL: Referativnyy zhurnal, Mekhanika, no. 2, 1963, 20, abstract 2A133 (Nauchni tr. Vissh. in-t mekhaniz. i elektrif. sel'skoto stop. -Ruse, 1961, (1962), v. 4, 211-214 (Bulg.: summaries in Rus. and Ger.))

TEXT: The author considers the problem of synthesis of a crank and rocking arm mechanism under the conditions

$$\mu_{max} \leq 180^\circ - \mu_0, \quad \mu_{min} \geq \mu_0 \quad (1)$$

for the maximum and minimum transmission angles. Assuming that the ratio of the lengths of a rocking arm and connecting rod is known, the author indicates a graphic method in which the ratios of the lengths of two other links to the length of connecting rod are con-

Card 1/2

Design of a four-link ...

S/124/63/000/002/003/052
D234/D308

sidered as coordinates of a certain point. Domains are indicated which must contain this point in order that (1) be satisfied; a nomogram for the solution of the problem is also given.

[Abstracter's note: Complete translation]

Card 2/2

MEDELICHEV, Iv., inzh.

Designing the copying device for the headers in harvesters.
Mashinostroene 11 no.9:25-27 S '62.

1. Vissh institut mo mekhanizatsiia i elektrifikatsiia na
selskoto stopanstvo.

BONEV, B., inzh.; NEDELICHEV, L., inzh.

Transistor amplifier pair with high-grade indexes. Radio
1 televizija 13 no. 196-95 '66.

GENOVA, E. 1926.1. NELLE PIAZZE, ...

A. APPROXIMAZIONE ...
1. ...

MARINOV, I.U.P.; NEDELICHEV, L.A.

Simplifying structural equations of the double-switch systems with the n -inlet and m -outlet in the absence of some possible meanings of inlet variables. *Godishnik mash elekt* 8 no.1: 95-104 '60. (publ. '61)

NEDELICHEV, L.; MIKHAILOVA, K.

Receiving tubes including low-power amplifiers. Radio i tele-
vizia 12 no.3:93 '63.

MAPINOV, IUI. P.; BEDELICHEV, L. At.

A new method of multiplying decimal numbers by diode matrices.
Godishnik mash elekt 12 no. 2:85-94 '62 [publ. '63].

ACC NR: AT7005408

SOURCE CODE: BU/2510/66/004/000/0067/0079

AUTHOR: Naplatanov, N. D.; Marinov, Yu. P.; Nedelchev, L. A.

ORG: none

TITLE: Probability-logical method for designing a logical structure of diagnostic devices

SOURCE: Bulgarska akademiya na naukite. Institut po tehnicneska kibernetika. Izvestiya, v. 4, 1966, 67-79

TOPIC TAGS: diagnostic instrument, probability, logic design

ABSTRACT: A probability-logic method for designing the logical structure of specialized diagnostic devices is introduced. Devices synthesized according to this method are of a comparatively simple design and feature great flexibility and precision operation. In the study, certain probability relationships (between the disease and its symptoms) are to illustrate the method and to facilitate the derivation of logical equations defining the working principle of the device. A description is given of the

Card 1/2

ACC NR: AT7005408

logical synthesis of a device under study, and a functional diagram of its structure is presented. Orig. art. has: 2 diagrams, 2 tables, and 1 formula. [Authors' abstract]

SUB CODE: 06, 12/SUBM DATE: none/ORIG REF: 001 507

OTH REF: 002/

Card 2/2

MARINOV, Iulian P.; NEDELICHEV, Liuben At.

Some new possibilities of rationalizing the switching circuits of the binary type by using the interdependence of their structural equations. *Godishnik mash elekt* 9:21-32 '61. [publ. '62]

NEDELICHEV, N.

NEDELICHEV, N. Device for lifting reinforced concrete poles on low-voltage networks and long-distance lines. p.25. Vol. 6, no. 7, July 1956.
RATSIONALIZATSIA. Sofia, Bulgaria

SOURCE: East European Accessions List (EEAL) Vol 6, No. 4--April 1957

HANDELSON, H.

'The fight for higher yields in viticulture.', p 1, KOOPERATIEVE LANDELIJF, 10 6,
1952, Jan, Feb 1951, (Belgium)

a t. European col 2, #8
SO: Monthly List of ~~RC65127~~ Accessions, Library of Congress, August 1953, Uncl.

NEDELNEV, N.

"Planting vines in sandy soil.", p 33, (KOOPERATIVNO SREDELIE, vol 6, #12, Jan, Feb
1951, Bulgaria)

SO: Monthly List of Russian Accessions / Library of Congress, East European vol 1 #3, August 1953, Uncl.

NEDELCHEV, N

Scientific research in Bulgaria on vine production. Tr. from the
Bulgarian, p. 241.

MAGYAR MEZOGZD Vol. 10, No. 22, Nov. 1955

Mezogazdasgi Konyvy-es Folyoiratkiado Vallalat, Budapest

So. East European Accessions List Vol. 5, No. 1, Jan. 1956

BULGARIA/Cultivated Plants - Fruits. Berries.

M

Abs Jour : Ref Zhur Biol., No 12, 1958, 53840

Author : Todorov, Khr., Zankov, Z.D., Nedelchev, N., Stoyev, K.D.

List : -

Title : Experiments with Short and Long Pruning of Some Wine Grape Varieties.

Orig Pub : Lozarstvo i vinarstvo, 1957, 6, No 3, 4-19

Abstract : As the result of experiments conducted in 1952-1953 in the vineyards of labor co-operatives, the authors have reached the conclusion that the load of 8-10 eyes per plant, presently used on the establishments in Bulgaria, is insufficient. With the present agricultural technique it can be increased on the Dinyat, Vinenka, Red Muscat and Mavrud varieties to 24 eyes, and on the Pamid variety - to 32 eyes per plant both with short and long pruning. Further increase in the fruit bearing load is feasible with the improvement of the agricultural

Card 1/2

BULGARIA/Cultivated Plants - Fr. Its. Berries.

M

Abstr Jour : Ref Zhur Biol., No 12, 1958, 53851

Author : Nedelchev, ^NZankov, T. ^AOrlov

Inst : -

Title : Determination of the Most Suitable Proportion for the
Bulgarian Variety

Orig Pub : Lozarstvo i vinarstvo, 1957, 6, No 5, 5-11

Abstract : No abstract.

Card 1/1

BULGARIA / Chemical Technology, Chemical Products and Their
Application. Fermentation Industry.

H-27

Abstr Jour : Ref Zhur - Khimiya, No 5, 1959, No. 17253

Author : Nedelchev, N.

Inst : Not given

Title : Desert Wines Derived from the Shiroka Melnishka Vine

Orig Pub : Lozarstvo i vinarstvo, 1958, 7, No 4, 41-44

Abstract : Various technological schemes were tried in the making of desert wines from the Shiroka Melnishka grapes variety. The obtained wines contained 5 - 24% sugar and 13 - 18 vol % alcohols. The obtained results reveal that the above variety of grapes are suitable for the manufacture of a number of types of desert wines. Of all the technological schemes tried, the best results were obtained when grapes were scalded with hot water and when mash was heated up to 65°. It is necessary to add 7 - 8 kg of vacuum-must for every 100 l of mash. -- G. Valuyko

Card 1/1

4-105

COUNTRY:	: Bulgaria	H-27
CATEGORY	:	
ABS. JOUR.	: RZKhim., No. 5 1960, No.	19784
AUTHOR	: Nedelchev, N. I.	
INSTIT.	: Not given	
TITLE	: The Continuous Fermentation of the Must in the Production of White Wines	
ORIG. PUB.	: Izvestiya i Vneshnaya, No. 5, 1960 (1960)	
ABSTRACT	: No abstract.	

CARD: 1

NEDELICHEV, Nedelcho, prof.; ATANASOV, Iano

Cultivation of the Shiroka Melnikanka grapevine
nauka 2 no. 1.57-66 '63

GANEV, P.; NEDELICHEV, S.; MANDZUKOV, S.; BINEV, As.

The ETV-3-MN electrotensometric transducer for computing the pressure in blood vessels and cardiac cavities. Godishnik mash elekt 12 no. 1:137-142 '62 [publ. '63].

ANGEL V, G.; DANOV, I.; DEBILDEY, St.; ANASTOV, Sv.; ...

Comparative studies of some asbestos frictional materials.
Godishnik mash elekt l. no. 3:79-82, 1963, publ. 1963.

VULEV, V.; NEDELICHEV, St.; MANDZHAKOV, St.; MISHEV, Dim.

Electrotensiometric device for taking down the index diagrams
of the high-speed internal-combustion engines. Godishnik
mash elekt 9 no.3:95-107 '61. (publ. '62)

ANGELOV, G.; DANOV, G.; NEDELICHEV, St.; NACHEV, Sl.; PARASKOV, Tsv.

Studies on the friction of steel-iron couples. Godishnik
mash elekt 10 no.3:251-258 '61 (publ.'62).

NEDELICHEV, S.P.

Determining the optimum geometric dimensions for clamping mechanisms which guarantee optimum power load. Godishnik mash elekt 9:61-71 '61. [publ. '62]

GYLYBOV, Zh.S. [Galubov, Zh.]; IVANOV, Il.; PENCHEV, P.; MISHEV, K.;
HEDELICHEVA, A.; DVORYADKIN, A.I., kand.geograf.nauk [translator];
RETYUN, Yu.S., red.; BELEVA, M.A., tekhn.red.

[Physical geography of Bulgaria] Fizicheskaia geografiia
Bolgarii. Moskva, Izd-vo inostr.lit-ry, 1960. 361 p. Translated
from the Bulgarian. (MIRA 14:3)

1. Direktor Instituta geografii Bolgarskoy akademii nauk,
chlen-korrespondent Bolgarskoy akademii nauk (for Gylybov).
(Bulgaria--Physical geography)

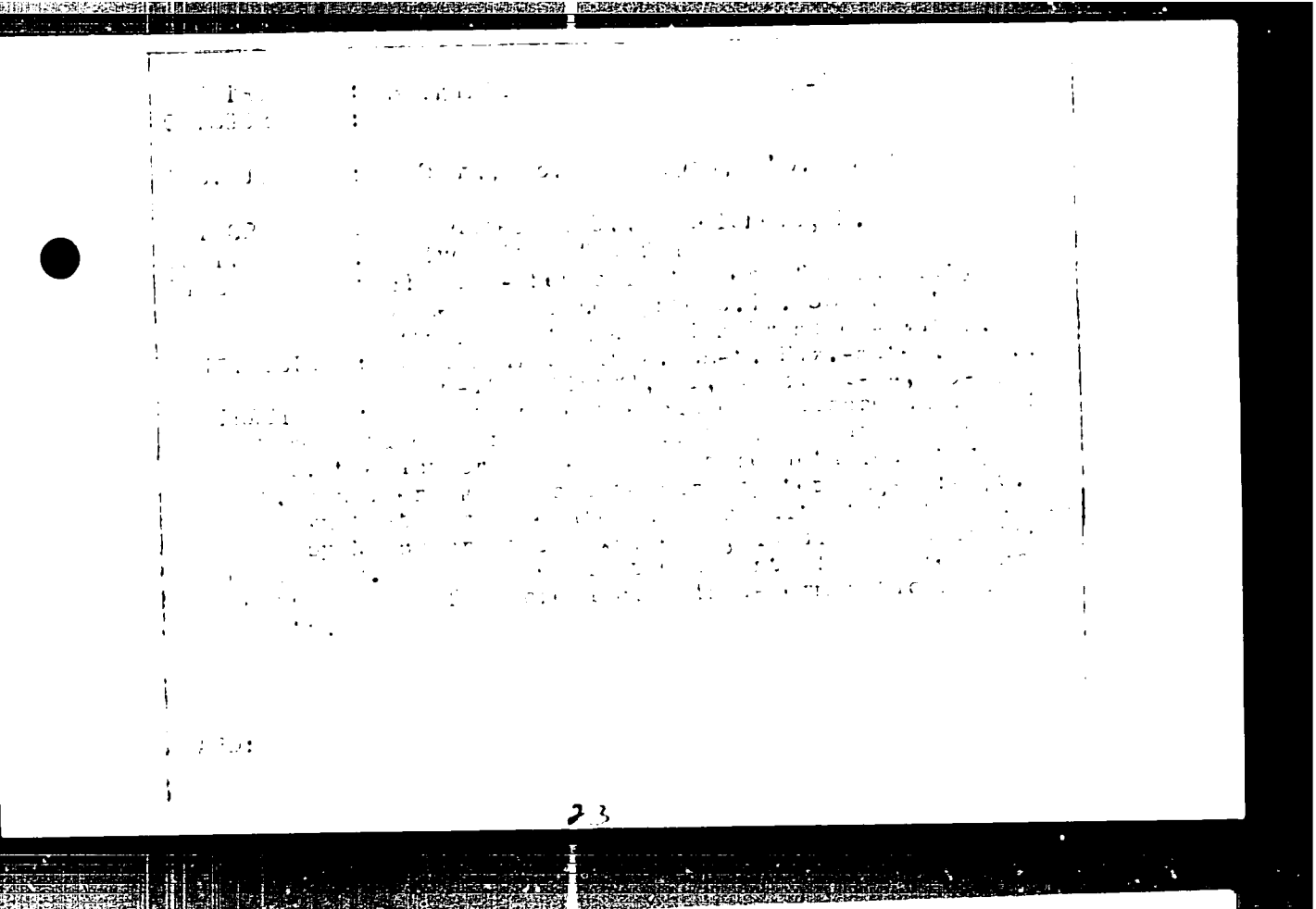
NEDELICHEVA, M., AND OTHERS.

Utilizing cotton rags in the paper industry. p. 9.

REKHNKA. Vol. 4, no. 5, June/July 1965

Sofia, Bulgaria

SOURCE: East European Accessions List (EEAL) Library of
Congress, Vol. 6, No. 1, January 1957



NEDELICHEVA, V.

NEDELICHEVA, V. New regions for production of maize in the Soviet Union. p.15.
Vol. 6, no. 6, 1956. GEOGRAFIJA, Sofiya, Bulgaria.

SO: Monthly List of East European Accessions, (EEAL), LC, Vol. 5, No. 10,
Oct. 1956.

NEDELICHA, V.

NEDELICHA, V. The earth's axis are changing their positions. p. 1.

Vol. 6, No. 7, 1957

БЮЛЕТЕНЬ
БЪЛГАРСКОТО БЪЛГОО
София, България

So: East European Excursion, Vol. 6, No. 7, retrorog 1957

GILYBOV, Zh.; IVANOV, Il.; PENCHEV, P.; MISHEV, K.; ~~NEDELICHEVA, V.~~;
DVORYADKIN, A.I., kand.geograf.nauk [translator]; RETETUM, Yu.Ye.,
red.; BELEVA, M.A., tekhn.red.

[Physical geography of Bulgaria] Fizicheskaia geografiia Bolgarii.
Moskva, Izd-vo inostr.lit-ry, 1960. 361 p.

(MIRA 14:4)

1. Direktor Instituta geografii Bolgarskoy akademii nauk, chlen-
korrespondent Bolgarskoy akademii nauk (for Gilybov).
(Bulgaria--Physical geography)

NEDELGHEVA, Vera

At Pomoriysko Ezare. Prir i zharie do no.3120-22 Mr'63.

KARALAMBZEV, N.; KOVACHEVA, N.; KAZAKOVA, M.; NEDELICHEVA, V.

Etiology of food poisoning of bacterial origin in Sofia. Suvren. med.,
Sofia 8 no.11:89-96 1957.

1. Iz Instituta za burza meditsinska pomoshch N. I. Pirogov Sofia
(Gl. lekar: B. Devetakov).

(SALMONELLA INFECTIONS, epidemiology,
food pois. in Bulgaria (Bul))

NEDELICHEVA, V.A.; PETKOV, Ts. V.

Effect of stimulating solutions on blood picture with special reference to erythrocytes and hemoglobin. *Suvrem. med.*, Sofia 9 no.7:19-28 1958.

(ERYTHROCYTES,

count, eff. of magnesium chloride & calcium glycerophosphate solutions (Bul))

(CHLORIDES, effects,

magnesium chloride solutions on erythrocyte count (Bul))

(MAGNESIUM, eff.

same)

(GLYCEROPHOSPHATES, effects,

calcium glycerophosphate solutions on erythrocyte count (Bul))

ACC NR: AP6023435 SOURCE CODE: UR/0135/66/000/007/0001/0003

AUTHOR: Baranov, M. S. (Candidate of technical sciences); Afanas'yev, V. N. (Engineer); Voshchinskiy, M. L. (Engineer); Vaynshteyn, R. M. (Engineer); Nedel'chik, E. V. (Engineer); Taganov, Yu. Y. (Engineer); Geynrikhs, Y. N. (Engineer)

ORG: All-Union Extramural Machine Building Institute (Vsesoyuznyy zaochnyy mashino-stroitel'nyy institut)

TITLE: Laser welding of some metals

SOURCE: Svarochnoye proizvodstvo, no. 7, 1966, 1-3

TOPIC TAGS: laser application, laser welding / SU-1 laser welder, 1Kh18N9T steel, KO steel

ABSTRACT: The results of laser welding of fillet joints of copper and L-62 silver coated brass with 1Kh18N9T steel, KO steel and copper are presented. The SU-1 laser welder (shown in photograph) was used to weld thin wires [$d < 0.1$ mm] attached to semiconductive and microelectronic devices. The unit power input is regulated by adjusting various object lenses with focal distances of 10, 20, 40, and 50 mm. Unit power input is calculated by the formula $g = W^2/tF$ where W^2 is the energy of radiation considering the losses in the optic system in joules; t is the pulse time in sec and F is the focal area in cm^2 . The weld penetration and width are proportional to the maximum volt-

UDC: 621.791.72:535.14:669.15-194

Card 1/2

L 03011-67.
ACC NR: AP6023435

age of the condenser battery. This relationship is shown in a table for U8A steel where focal distance is 20 mm. Another test was carried out on strips of U8A steel with a thickness of 2.6 mm (surface condition of the 10th class in accordance with GOST 2789-59) in order to determine the relationship between width and penetration of the welds and the defocusing. These tests showed that when $\Delta f = 0.75$, the weld penetration was $\max h = 22 \mu$. Overlap welding was carried out on copper with L-62 brass, with non-coated brass, 1Kh18N9T stainless steel, KO low-carbon steel and finally on copper wires. Without stripping the insulation [M1] copper wire of $d = 0.05$ mm was welded to a silver-coated brass rod of $d = 0.5$ mm. Neither of these specimens showed cracks in the welds. However, microporosity was indicated in some of the specimens. Shear strength tests of the welds were carried out on two types of welds: without stripping the insulation from the copper wire and with bare wire. The first specimens had an average shear strength of 25.3 kg/mm^2 while for the second type, a shear strength of 26 kg/mm^2 . The small difference makes it feasible to recommend this welding process without stripping the insulation. A comparative test of the laser-welded and braced joints was made. The latter showed an average strength 13% less than the welded joints. The authors conclude that the laser-welded joints have considerably better mechanical properties than the soldered joints. This is due to the smaller heat-affected zone. Orig. art. has: 6 figures, 1 table.

SUB CODE: 13,20/ SUBM DATE: none

Joining of dissimilar metals 1?

Card 2/2 awm

ROMANIA / Virology. Viruses of Man and Animals. Plague Viruses of Birds. E-2

Abs Jour : Ref Zhur - Biologiya, No 22, 1958, No. 99132

Author : Suhaci, I.; Nedelciu, D.; Rosenblum, M.
Inst : Pasteur Inst. of Sera and Vaccine, Bucharest
Title : The Relationship Between the Infectious Power and Hemagglutinability of Various Strains of the Pseudoplague Virus in Birds

Orig Pub : Anuarul Inst. seruri si vacc. Pasteur Bucuresti, 1958, 2, 75-86

Abstract : The strains of the virus of Newcastle's disease under investigation (4 virulent and 5 weakened) developed distinct thermostability, whereupon both the thermostable and the thermolabile ones varied significantly in pathogenicity. Mostly, the pathogenic properties of the strains appeared more stable to heat, than the

Card 1/2

Abs Jour : Ref Zhur - Biologiya, No 22, 1958, No. 99132

hemagglutinating ones. After a year's storage, differences in stability of the two properties indicated; hence, the authors believe it is possible on the basis of the hemagglutinating activity to determine the viability of an strain. For the preparation of live vaccine, it is recommended that thermostable strains be used. -- D. G. Klyachko

Card 2/2

RUMANIA / Virology. Viruses of Man and Animals. Plague Viruses of Birds. E-2

Abs Jour : Ref Jour - Biologiya, No 20, 1957, No. 99145

Author : Suhaci, I.; Nedelciu, P.; Rosenblum, M.

Inst : Pasteur Inst. of Sera and Vaccines, Bucharest

Title : The Determination of the Moment of Appearance of Resistance in Bird Plague, and Its Continuance, in Vaccination with Strain N (Hertfordshire)

Orig Pub : Anuarul Inst. seruri si vacc. Pasteur Bucuresti, 1957, 2, 87-95

Abstract : Antibodies, retarding hemagglutination, develop, as a rule, in all baby chicks on the 7th day after the introduction of vaccine. The antibody titer rises until the 10th day, after which it gradually becomes lower and in 3 mos. reaches the original titer. Immunity to disease is produced in 50 percent of the baby chicks

Card 1/2

RUMANIA / Virology. Viruses of Man and Animals. Plague Virus of Birds. E-2
of Birds.

Abs Jour : Ref Jour - Biologiya, No 22, 1971, No. 99145

in the course of 2 days, in 75 percent - in the course of three, and on the 4th day all the baby chicks appear immune to disease. The immunity is preserved for 7 mos. The authors did not observe a parallel between the titers regarding agglutination and those neutralizing antibodies. -- From the authors' resume

Card 2/2

NEDELICIU

SUHACI, I.; NEDELICIU, D.; ROSENBLUM, M.

Establishment of the time of appearance and duration of the state of resistance produced by avian H anti-pesto vaccine. Stud. cercet. inf. fr. microbiol., Bucur. 8 no.3:361-368 1957.

(NEWCASTLE DISEASE, immunology

appearance & duration of immun. after vacc. with pseudo-pesto H virus vaccine, in chickens)

(VACCINES AND VACCINATION

Newcastle dis. virus H Vaccine, immun. phenomena in chickens)

HEDEKOCV, C.

STAS&GOST-DIN correspondence tables for metals and nonferrous alloys. p. 34.
(Standardizarea, Vol. 9, No.1, Jan. 1957, Bucaresti, Rumania)

SO: Monthly List of West European Accessions (WEAL) Lc. Vol. 1, No. 8, Aug 1957. Uncl.

R/009/62/000/011/001/002
D272/D308

AUTHORS: Cosma, Dante, Kundacgian, Ardaş, Panaitescu, Florin,
Engineers, Matei, Constantin and Nedelcovici, Valeria,
Engineer

TITLE: The steel 40C10 microalloyed with boron

PERIODICAL: Metalurgia și Construcția de Mașini, no. 11, 1962,
984-988

TEXT: After a detailed discussion of the theory and practical experience relating to the microalloying of constructional steels with B in order to improve their temperability, some results are presented on an investigation of the effects of microquantities of B, added to the steel 40C10, upon its temperability and several of its mechanical properties. Ferroborn (with 16% B) was added after denitriding and deoxidation of the steel in the furnace by additions of ferro-titanium and aluminum. The B content in the steel varied between 0.0003 and 0.0052%, achieving degrees of assimilation in the range 30-90%. The results were compared with those obtained

Card 1/2

The steel 40Cl0 ...

R/009/62/000/011/001/002
D272/D308

on B-free specimens subjected to the same treatment. No faults were observed in the macroscopic and microscopic examination of the specimens containing B, in comparison with those lacking it. An increase of the temperability (determined in accordance with ST.S 4950-55) by a factor of 1.5-2 was observed in the B-containing specimens, but no variation of the temperability with the B content was noted. The B content caused an increase in the tensile strength and in the yield limit. Comparative diagrams of the variation of the mechanical characteristics as a function of the recovery temperature (400-600°C) for B containing and B lacking 40Cl0 steel have made possible the determination of increases in the yield limit, the elongation, the constriction and the resilience for equal values of the tensile strength. There are 6 figures and 5 tables.

ASSOCIATION: Institutul de cercetări metalurgice (Metallurgical Research Institute)

Card 2/2

Nevelcu, A.

IANCU, A.; RAUCHER; FENESAN, E.; ~~NEDELCHU, A.~~; FELIA, D.

Blood sugar variations induced in dystrophic sucklings under the action of caffeine. Rumanian M. Rev. 1 no.4:42-43 Oct-Dec 57.

(CAFFEINE, eff.

on blood sugar in dystrophic inf.)

(BLOOD SUGAR, eff. of drugs on caffeine in dystrophic inf.)

(INFANT NUTRITION DISORDERS, blood in eff. of caffeine on blood sugar in dystrophic inf.)

NEDELCO, C.

Itineraries through Brasov region. St si Teh Buc 14
no.12:7-9 D'62.

~~SECRET (TOP SECRET); INTERNAL USE~~

2. 1977-1978

Advisory Board: not given

Advisory Board: not given

Executive Order, 12066, 1955, 50 Stat. 1261, 22 U.S.C. 111.

3. Improving the administrative-territorial division of Ukraine.

Co-ordinator:

KOLYVSKI, I., Inst.-Inst.

NEDEICU, C.
SURNAME, Given Names

Country: Rumania

Academic Degrees: -not given-

Affiliation: -not given-

Source: Bucharest, Stiinta si Tehnica, No 8, Aug 1961, pp 30-31.

Data: "Algeria."

Country: Rumania

Country: Rumania

Academic Degrees: -not given-

Affiliation: -not given-

Source: Bucharest, Stiinta si literatura, Vol XIII, No 11, Nov 1961, pp 28-29,
29.

Data: "Brazil."

GPO 1961:1

POPOVICI, Ioan, lector (Bucuresti); NEDELICU, Constantin (Bucuresti)

Concentration of industry in the Trotus River Valley.
Natura Geografie 14, no.1:43-48 Ja-F '62.

L 13306-63

EWI(1)/BDS

AFPTC/ESD-3

TF

R/002/63/000/002/001/002

AUTHOR: Nedelcu, Constantin

(5)

55

TITLE: Can the crust of the earth be pierced?

PERIODICAL: Stiinta si Tehnica, no. 2, 1963, 36-37

TEXT: Gives background information on the determination of the Moho layer in 1909 by the study of earthquakes and on the newer seismic depth drilling system developed by G. A. Gamburtsev. The artificially evoked elastic oscillations brought about by detonations are claimed to be not only more exact in the determination of the total thickness of the lithosphere but also to allow the distinguishing of its internal structure. This method has revealed the existence of three layers -- sedimentary, granite, and basalt -- differing in their thickness and in physical properties. The author lists the five locations selected for depth-drilling in the USSR for a study of the profile of the lithosphere and describes the various types of drilling pipe that may be employed effectively in such undertakings. Emphasizes the importance of light but highly resistant drilling pipe made of titanium-aluminum alloys or anisotropic fiberglass materials using synthetic resins as binders. Includes a map showing the location of drilling sites.

Card 1/1

RUMANIA

NEDELCU, C. [affiliation not given]

"Through the Apuseni Mountains."

Bucharest, Stiinta si Tehnica, Vol 15, No 7, Jul 63, pp 21-23.

Abstract: Describes the geographic and geological characteristics of the area of the Apuseni Mountains by retracing a trip started at Alba Iulia and ending at the foot of the Mezes peak near Cluj.

Includes 5 illustrations.

1/1

BR

ACCESSION NR: AP4033689

R/0002/64/000/004/0022/0025

AUTHOR: Nedelcu, C.

TITLE: Assault of the deep

SOURCE: Stiinta si tehnica, no. 4, 1964, 22-25 (Science and Technique)

TOPIC TAGS: underwater exploration, bathysphere, bathyscaph, underwater mapping, research ship, research submarine, oceanographic research, marine atlas, underwater laboratory

ABSTRACT: The author gives a brief history of undersea exploration, starting with the sixteenth century. He then describes in detail the first experiments of the French captain Cousteau and his aides, as well as their present preparations for a new experiment. He mentions the experiments of the American E. Link and the Swiss mathematician H. Keller, who also built underwater "houses". The article continues with a detailed description of Auguste Picard's underwater exploration in his bathysphere and bathyscaph, the Trieste, in which he and his aides attained a depth of 10,916 meters. Picard's son and an American researcher repeated this performance. There follows a description of various methods of

Card 1/2

ACCESSION NR: AP4033689

mapping the ocean bottom from specially equipped ships at the surface, with a listing of Soviet achievements in this area, mainly from the research ship "Vityaz" and the research submarine "Severyanka". Future developments will include vessels able to submerge to as much as 6,000 meters, high-speed submarines with nuclear propulsion, underwater laboratories, tracked vehicles, etc.

ASSOCIATION: none

SUBMITTED: 00

DATE ACQ: 01May64

ENCL: 00

SUB CODE: SP

NO REF SOV: 000

OTHER: 000

Card 2/2

SECRET

SECRET

MEMORANDUM

Subject: [Illegible]

GRAFA, C., Jr.; STANES, J., Jr.; BIRCHMAN, S.; NEDELMAN, P.

Diagnostic value of scintigrams in some hepatic diseases.
Med. Intern. (Lucern). 1966;8:191-95P. Ag 124.

RUMANIA

GRIGORESCU, St.; NEDELCU, C.; NASTASE, M.; GHEORGHE, N.; and APOSTOLESU, P.

"Experimental Studies on Hepatic Clearance in Irradiated Dogs"

Bucharest, Revista Sanitara Militara, Vol 16, Special No., 1965; pp 512-513

Abstract: In dogs irradiated 200 or 300 r, hepatic clearance of colloidal gold 198 or rose bengal iodine-131 was delayed. Whole-body radiation (400 r) effect on renal uptake of chromium-51, arsenic-75, sodium-24 and potassium-42 was also studied.

1/1

- 65 -

RUMANIA

GRIGORESCU, St.; NEDELCU, C.; GHEORGHE, N.; and NASTASE, M.

APPROVED FOR RELEASE: Wednesday, June 21, 2000 CIA-RDP86-00513R001

"Effect of Some Radioprotective Agents on Metabolism of Sulfur³⁵ Labeled Chlorpromazine"

Bucharest, Revista Sanitara Militara, Vol 16, Special No., 1965; p 513

Abstract: Study in mice of the effect of non-labeled chlorpromazine, ACTH, trypanblue and alpha chlorolose on metabolism of sulfur³⁵ labeled chlorpromazine; histopathology of liver, kidney, adrenals and femoral epiphysis; results indicate the role of the nervous system in radioprotective effects.

1/1

RUMANIA

GRIGORESCU, St.; NEDELCU, C.; NASTASE, M.; and GHEORGHE, N.

"Effect of Some Radioprotective Agents on Metabolism of Triiodothyronine Iodine-131"

WEDELCU, E.

Structural and lithologic aspects in the glacial morphology of the Fagaras Mountains, p. 105.

MOBILY DE GEORFIE. (Academia Republicii Populare Romine. Institutul de Cercetare Geografice)
Bucuresti, Rumania. Vol. 6, 1959.

Monthly list of East European Acquisitions (EEA) L, Vol. 9, no. 8, August, 1959.

Uncl.

NICULESCU, Gh.; NEDELICU, Eugen

Cryonival microrelief of the high zone of the mountains Retezat-Godeanu-Tarcu, and Fagaras-Iezer. *Probleme geog* 8:87-121 '61.

NEDELCU, E., cercetator

The y... ..
Mr '65.

NEDELCU, Eugen

Glacial relief in the basin of Riul Doamnei (Muntii Pagarasului).
Comunicarile AR 12 no.5:597-603 My '62.

1. Comunicare prezentata de T.Moraru, membru corespondent al
Academiei R.P.R.

GRUMAZESCU, H., cercetator stiintific (Bucuresti); STANCESCU, C.,
cercetator stiintific (Bucuresti); POPOVA, A., cercetatoara
stiintifica (Bucuresti); MEDELCU, E., cercetator stiintific
(Bucuresti)

The Danube Delta. Natura Geografie 14 no.1:31-41 Ja-F '62.

GRUMAZESCU, Horia; STANCIU, Cornelia; NEDELCU, E.

Physical and geographical units of the Danube Delta. Hidrografia
4:129-162 '63.

NEDELCU, Gheorghe, candidat in stiinta economice

Computing the effective cost price of the production of auxiliary sections. Metalurgia constr mas 8 no.11:1000-1005 N '61.

(Machinery industry) (Industrial management)