

MSHVIDOBADZE, I.A. (Tbilisi)

Seminars for nonprofessional medical workers. Med.vestra no.10:
31 0 '55. (MLRA 8:12)
(GEORGIA--PUBLIC HEALTH)

L 111273-66

ACC NR: AR6011886

SOURCE CODE: UR/0299/65/000/022/M019/M019

AUTHOR: Mshvidobadze, M. V.

TITLE: Heteroplasty of preserved tendons

SOURCE: Ref. zh. Biologiya, Abs. 22M138

REF SOURCE: Sb. tr. N.-1. in-t travmetol. i optopedii. GruzSSR, v. 6,
1964, 119-128

TOPIC TAGS: tissue transplant, tissue physiology

ABSTRACT: In experiments on rabbits (62) and dogs (8) tendon ~~heterotransplants~~ (from sheep), homotransplants and autotransplants 1 to 1.5 cm in length were transplanted. The homotransplants and heterotransplants had been preserved earlier in a honey and peach oil solution for periods of 1 week to 3 yrs. Histomorphological examinations of the tendons were conducted from the 4th day to 1 yr. Complete restoration of tendon was observed in 2 to 3 mos in all cases. The reparative processes of heteroplasty progressed the same as for autoplasty and homoplasty (transplants were gradually resorbed and were replaced by new tissue, microscopically identical to a normal tendon). Tendon thread proved to be the most suitable and durable material for

Card 1/2

UDC: 577.99

L 44273--66

ACC NR: AR6011886

sutures. N. S. [Translation of abstract].

SUB CODE: 06

Card 2/2 mjs

MSHVILDADZE, L. M. Cand Tech Sci — (diss) "Investigation of
the working parts and the operation of cultivators applicable
for the inter-row treatment of tea plantations," Tbilisi, 1958,
19 pp, 150 cop. (Georgian Agricultural Institute) (KL, 44-60, 130)

~~MSKHILADZE, G. G.~~: Master Tech Sci (diss) -- "Computation of dams and support walls (The contact problem)". Tbilisi, 1958. 28 pp (Min Higher Educ USSR, Georgian Order of Labor Red Banner Polytech Inst im S. M. Kirov), 150 copies (KL, No 8, 1959, 137)

I. 30979-66 EWT(d)/EWT(m)/EWP(v)/T/EWP(k)/EWP(h)/EWP(l)/ETC(m)-6 WW/DJ

ACC NR: AP6011242

SOURCE CODE: UR/0413/66/000/006/0080/0080

57
B

INVENTOR: Grigor'yev, I. A.; Msokvichev, V. I.

ORG: none

TITLE: Optical-contact device for measuring clearances in precision, small-diameter, jewel-journal bearing connections. Class 42, No. 179941

SOURCE: Izobreteniya, promyshlennyye obraztsy, tovarnyye znaki, no. 6, 1966, 80

TOPIC TAGS: optic analysis, optic instrument, optic measurement, test equipment

ABSTRACT: An Author Certificate has been issued for an optical-contact device for measuring clearances in precision, small-diameter, jewel-journal bearing connections. The device contains a journal chuck mounted in a mandrel. The chuck has a floating race in which the jewel, mounted on the journal, is fastened. On opposite sides of the race a weight is attached for the alternate displacement of the race with the jewel, relative to the journal. There is also an autocollimating microscope for observing jewel displacement and measuring the clearance between the journal and the jewel. For increased accuracy in determining the jewel-journal clearance, a spherical

Card 1/2

UDC: 531.717.53

L 30979-66

ACC NR: AP6011242

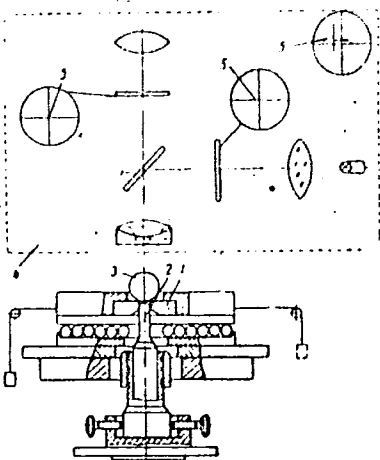


Fig. 1. Optical-contact clearance measuring device.

1 - Jewel; 2 - journal; 3 - spherical reflecting element; 4 - microscope; 5 - cross hairs.

reflecting element resembling a ball is set and aligned coaxially on the jewel. The microscope is adjusted for observing noncoincidence (relative to the common axis) of the position of the cross hair projected on the center of the ball and on the center of the hole in the jewel (see Fig. 1). Orig. art. has: 1 figure. [LB]

SUB CODE ^B 14/ SUBM DATE: 17Mar65/ ATD PRESS: 4229

Card 2/2 *pld*

MSTIBOVSKAYA, I.I.
TETS, G.I.; MSTIBOVSKAYA, I.I.

Gorglycone therapy of cardiac insufficiency in rheumatic children. *Pediatrics* no.1:81-82 Ja-F '54. (MLRA 7:3)

1. Iz detskoy kliniki lechebnogo fakul'teta (zaveduyushchiy - professor G.I.Tets) Khar'kovskogo meditsinskogo instituta (direktor - dotsent I.F.Kononenko) na baze detskoy dorozhnoy bol'nitsy (nachal'nik A.G.Kovalenko).

(Heart--Diseases) (Rheumatism)

MSTIBOVSKIY, S.A.

YANOVICH, T.D.; BLIZNICHENKO, A.G.; ZARUBINA, L.V.; MSTIBOVSKIY, S.A.;
BERKOVICH, A.I.; DUSHKVIN, I.P.

Leptospira canicola infections in one of the precincts of Rostov-
on-Don. Zhur. mikrobiol. epid. i immun 28 no.2:100-104 F '57
(MLRA 10:4)

1. Iz Instituta epidemiologii, mikrobiologii i gigiyeny,
Gorodskoy i rayonnoy sanitarno-epidemiologicheskoy stantsii
Rostova-na-Donu.

(LEPTOSPIROSIS, epidemiol.

Leptospira canicola infect. in Russia)

UNANOV, S.S.; ~~MS~~TIBOVSKIY, S.A.; BUZUNOVA, L.V.; TRUCHEVICH, A.I.

Some results of epidemiological observations in conducting
influenza vaccinations. Vop. Virus. 8 no.3:358-359 My-Je'63.
(MIRA 16:10)

1. Moskovskiy nauchno-issledovatel'skiy institut virusnykh
preparatov.

(INFLUENZA—PREVENTIVE INOCULATION)

MSTIBOVSKIY, Ye.A., inzhener.

Erecting multistory buildings on filled-in grounds. Stroi. prom. 35
no.4:44-46 Ap '57. (MLRA 10:3)
(Rostov-on-Don--Public buildings)
(Foundations)

MSTISLAVICH, L.L.; MESHCHANKINA, A.B., red.

[Safety regulations for using and repairing storage batteries]
Tekhnika bezopasnosti pri ekspluatatsii i remonte akkumulatorov.
Moskva, Izd-vo M-va sel'.khoz.RSFSR, 1961. 8 p.

(Electric batteries)

(MIRA 15:5)

MSTISLAVSKAYA, L.S.; YAKOVLEVA, L.P.

Treatment of psychoses with pronounced affective disorders by
means of nozinan. Trudy Dush. med. inst. 61:89-106 '63.
(MIRA 17:5)

MSTISLAVSKIY, A.

The "Molnia" telecommunication satellite cuts distance. Radio
no.7:6 J1 '65. (MIRA 18:9)

KRENKEL', E., Geroy Sovetskogo Soyuz; VISHNEVETSKIY, F.; TARIVERDIYEV, D.,
kand. tekhn. nauk; KARAYANIY, V.; TOVMASYAN, L., nauchnyy rabotnik
(Yerevan); ROEUL, B.; VOZHYUK, V.; YEPERIN, N., radiolyubitel'
(Moskva); MATLIN, S., inzh.; BORNOVOLOKOV, E., inzh.; GONCHAROV, V.;
GRIF, A.; MSTISLAVSKIY, A.

Works and needs of radio amateurs. Radio no.7:1-3 '64.

(MIRA 18:1)

1. Predsedatel' prezidiuma Federatsii radiosporta SSSR (for Krenkel').
2. Glavnyy redaktor zhurnala "Radio" (for Vishnevetskiy).
3. Chlen Bakinskogo radio-kluba (for Tariverdiyev).
4. Predsedatel' Irkutskoy oblastnoy seksii radiosporta (for Karayaniy).
5. Nachal'nik Donetskoy shkoly radioelektroniki (for Robul).
6. Predsedatel' soвета Novosibirskogo oblastnogo radiokluba (for Voznyuk).
7. Spetsial'nyy korrespondent "Pravdy" (for Goncharov).
8. Spetsial'nyye korrespondenty zhurnala "Radio" (for Grif, Mstislavskiy).

MSTISLAVSKIY, A.

USSR/Miscellaneous - Radio operators

Card 1/1 Pub. 89 - 6/29

Authors : Mstislavskiy, A.

Title : To the peak of perfection

Periodical : Radio 9, 13-14, Sep 1954

Abstract : The successful training of femal radio operators is described. Illustrations.

Institution : ...

Submitted : ...

MSTISLAVSKIY, A.

Assistance offered by shortwave radio operators. Radio no.4:18
Ap '64. (MIRA 17:9)

USSR/Miscellaneous - Radio amateurs

Card 1/1 Pub. 89 - 17/31

Author : Matislavskiy, A., City of Dzerzhinsk, Gorky Region

Title : Short and ultrashort-waves. USW radio-amateurs of the City of Dzerzhinsk

Periodical : Radio 11, 28-29, Nov 1954

Abstract : The activities of an ultrashort-wave radio amateur group, organized at the DOSAAF radio club of the City of Dzerzhinsk, are described. Illustration.

Institution : ...

Submitted : ...

MSTISLAVSKIY, A.

USSR/ Miscellaneous - Amateur radio

Card 1/1 Pub. 89 - 14/27

Authors : Mstislavskiy, A.

Title : Short and ultrashort waves — Maria Kolotilikina

Periodical : Radio 1, 29-30, Jan 1955

Abstract : A personal sketch is given of the amateur radio operator
Maria Kolotilikina who can transmit over a hundred signals
a minute. Illustration.

Institution :

Submitted :

MSTISLAVSKIY, A.

USSR/ Miscellaneous - Radio for agriculture

Card 1/1 Pub. 89 - 9/30

Authors : Mstislavskiy, A.

Title : Radio for all the villages of Altai

Periodical : Radio 3, 15 - 17, Mar 1955

Abstract : The influx of persons from various parts of the Soviet into Altai for the purpose of reclaiming virgin lands is recounted and the need of assisting these pioneers with radio facilities is discussed along with a description of the progress already made in providing the villages with receiving sets and the necessary network of transmitting stations.

Institution :

Submitted :

MSTISLAVSKIY, A

USSR/ Electronics - television reception

Card 1/1 Pub. 89 - 4/30

Authors : Mstislavskiy, A.

Title : Television amateurs from "Uglesh" ←

Periodical : Radio 6, 6 - 8, Jun 1955

Abstract : Brief report is given on the recreational activities of the inhabitants of the coal mining village of Laptevo near Tula (160 km from Moscow). Through personal monetary contributions they acquired two television sets - T-2 Leningrad and Sever - capable of picking up TV transmission directly from Moscow. Illustrations.

Institution :

Submitted :

MSTISLAVSKIY, A. (Tashkent)

The careful training of women radio operators. Radio no.12:7
D '55. (MIRA 9:4)

(Radio operators)

MSTISLAVSKIY

107-5-11/54

AUTHOR: Not indicated

TITLE: A Sequel of our Publications (Posledam nashikh vystupleniy)
We Must Carefully Develop Female Amateurs (Zabotlivo rastit' radistok)

PERIODICAL: Radio, 1956, Nr5, p. 9 bottom, col. 1 & 2 (USSR)

ABSTRACT: Under the above title we had published an article by A. Mstislavskiy in "Radio" Nr12, 1955, reporting some drawbacks in the work of the DOSAAF radioclub in Tashkent. Specifically, it had been mentioned that the club did not enlist Uzbek girls as radio hams.

Deputy Chairman of the Republican Committee of DOSAAF, Uzbek SSR, Zubov, reported that the facts brought out by us were correct. Gavrilenko, correctly criticized by us, was relieved of his duties as the Chief of the Tashkent radioclub.

AVAILABLE: Library of Congress.

Card 1/1

MSTISLAVSKIY, A. (Gomel')

People with initiative. Radio no.6:6-7 Je '56.
(Gomel'--Radio, Shortwave)

(MLRA 9:8)

AID P - 4935

Subject : USSR/Electronics

Card 1/1 Pub. 89 - 2/18

Authors : Mstislavskiy, A. and L. Troitskiy

Title : ~~USSR/Electronics~~ All-Union Industrial Exposition

Periodical : Radio, 8, 5-7, Ag 1956

Abstract : The authors describe the details of the All-Union Industrial Exposition which was opened recently in Moscow. In particular, they describe the radio, broadcasting, television and other communications exhibits, as well as exhibits of electronic developments and production. Among other items, an atomic reactor is exhibited operating at 10 kw but capable of operating at 100 kw. There is also a model of a 200,000 kw atomic power station. Several photographs of the exhibition.

Institution : None

Submitted : No date

MSTISLAVSKIY, ALEKSANDR LEONT'YEVICH
PHASE I BOOK EXPLOITATION 377

Grif, Arnol'd Yakovlevich, and Mstislavskiy, Aleksandr Leont'yevich
V peredovom radioklube (In a Progressive Radio Club) Moscow, Izd-vo
DOSAAF, 1957. 62 p. 25,000 copies printed.

Ed.: Uspenskiy, N. M.; Tech. Ed.: Gerasimova, V. N.

PURPOSE: This monograph is addressed to Soviet radio amateurs

COVERAGE: The booklet offers a short survey of radio amateur activity in the Soviet Union during the past ten years, noting the progress made in the field and reviewing present-day radio amateur activity. Much of the monograph is presented in the form of dialogues among members of the Lvov radio amateur club, DOSAAF, on various problems or projects of current interest to the club. The importance of group effort is brought out as well as the desirability of associating radio communications engineers and specialists with the activities of radio amateur clubs. This enhances the success of club activities and gives them an aura of greater authority. This tendency is reflected in

Card 1/3

In a Progressive Radio Club

377

the composition of the "council of cooperation", set up in 1946 by the Lvov radio club, to which Yu. T. Velichko, Lecturer at the Lvov Politechnic Institute, Mr. Kucher, Professor of Physics at the University of Lvov, and I.Ya. Ivanov, President of the Provincial Council of the Society for the Promotion of Defense and Aero-Chemical Development (Osoaviakhim) were appointed. The author emphasizes that their activities on the council are not nominal, but entail definite commitments. As of April, 1956, for example, Yu.T. Velichko, Lecturer and Doctor of Technical Science was scheduled to give lectures at the club on semi-conductors. Mentioned also are the universally well-known radio amateurs, Fedor Roslyankov, Alekandr Veremey, Zinaida Kubikh and Galina Pyatko. It is emphasized that workers from all the trades and fields of endeavor, without distinction of sex, are encouraged to become active members of such clubs and to pursue courses in radio engineering and communications offered by the clubs. A newly-formed section of the L'vov club is devoted to developing radio devices for the control of model airplanes and electronic devices for ship models.

Card 2/3

In a Progressive Radio Club

377

The following pieces of Soviet-produced equipment are mentioned: the KVN-49 television receiver and the A-7-A, A-7-B and PB radio stations (pp. 34, 36).

TABLE OF
CONTENTS:

Of a Saturday evening	3
Ten years ago	5
The power of group effort	10
The club and initial organizations	18
Everything here is in full swing	27
Station YB5KBA on the air	38
Pioneering in new bands	43
Mariam Bassina and her friends	52
They were all trained by the club	59

AVAILABLE: Library of Congress

Card 3/3

JJP/vm

6-19-58

107-57-3-11/64

AUTHOR: Matislavskiy, A.

TITLE: Great Potentialities (Bol'shiye vozmoshnosti)

PERIODICAL: Radio, 1957, Nr 3, pp 10-11 (USSR)

ABSTRACT: A discussion of the great possibilities open to radio amateurs in designing and building new devices and instruments is presented. Activities of radio amateurs in this direction are encouraged in the USSR. Some plant officials, like Shumov, Director of a Penza factory, and Teryushnov, Chief Engineer of the Glukhov Cotton Combine, have underestimated these potentialities. On the other hand, in many places, radio amateur inventions have proved very successful. "MSSh," a metal-detecting device designed by S. Sheremetinskiy, Leningrad DOSAAF radio club, has been in actual operation at the Kal'miuskaya Central Coal-Concentrating Plant for the last two years. M. Gubanov, Chief Engineer of the Plant, claimed that the device saved a lot of electric energy, helped to improve the quality of coal, and prevented many troubles with equipment. V. Shachnev, Chief Power Engineer of the Plant, also praises the device very highly. The MSSh metal detector is used to check the stream of coal being processed. When a metal object is detected in the

.Card 1/2

METISLAVSKIY, A. L.

107-57-6-8/57

AUTHOR: Metislavskiy, A.

TITLE: The Feat of a Scientist (Podvig uchenogo)

PERIODICAL: Radio, 1957, Nr 6, pp 8-9 (USSR)

ABSTRACT: A new book, "Radio Measurements," will be published in the fall of 1957. Its author, Yvgeniy Grigor'yevich Momot, wrote it while stricken by paralysis. As early as 1926, Momot developed his original method of calibration of wave-meters. Later, he developed his first signal generator which used an original compensation method for measuring the magnitude and phase of very small (from 3 to 4 microamperes) AF currents. Later, Momot worked on new synchronous methods of radio reception, selective detection, phase selection, single-band detection, and other topics. He won his Doctor's degree in 1949. His books and articles are well known in the USSR. In February, 1953, he was appointed as a head of the Chair of Electrical Measurements at the Leningrad Institute of Aviation Instruments. In 1955, he suffered a stroke and his legs were paralyzed. As the disease progressed, his arms soon were paralyzed, too. He began dictating his last book to his wife. Within two years, the book was practically completed. He died in 1957.

AVAILABLE: Library of Congress

Card 1/1

Mstislavskiy, A

107-57-7-3/56

AUTHOR: Mstislavskiy, A.

TITLE: A Governmental Prize Went to a Radio Ham
(Pravitel'stvennaya nagrada radiolyubitelyu)

PERIODICAL: Radio, 1957, Nr 7, p 3 (USSR)

ABSTRACT: Master of Radio Amateurism Fedor Vasil'yevich Roslyakov has received the medal "For Valor in Work" (Za trudovuyu doblest'). He is the Chief of the Radio Center, the Central Dosaaf Radio Club.

In 1948 he was the only one (of twelve contestants) who managed to receive a radiogram at the speed of 320 signs a minute. Next year he received at the speed of 400 signs a minute. In 1950 he received a radiogram at the speed 410 s/m. At the 4-th All-Union Contest he reached 420 s/m. In 1953 contesting with Bulgarian hams he raised his reception speed to 440 s/m. In 1954, in Leningrad, he reached his final speed 450 s/m, "which has never been surpassed by any radio ham".

AVAILABLE: Library of Congress.

Roslyakov's photo given.

Card 1/1

Mstislavskiy, A

AUTHOR: Mstislavskiy, A.

107-8-13/62

TITLE: Full Assistance to Amateur Radio Clubs (Samodeyatel'nyy radio-klubam - vseernuyu podderzhku!)
Amateur Radio Clubs Should Exist in the Region of Rostov
(V rostovskoy oblasti dolzhny byt' samodeyatel'nyye radiokluby).

PERIODICAL: Radio, 1957, #8, p 10, col 1-3 and p 11, col 1 (USSR)

ABSTRACT: The article deals with the efforts of a group of 10 radio amateurs in Taganrog to organize their own radio club and ultra-short wave section, and the difficulties they met in obtaining permission, land, building materials and "DOSAAF" backing.

At that time, already ten ultra short wave amateur radio stations were in operation in the Rostov region. The regional radio club seconded the initiative of the Taganrog amateurs, and after a few months, the new club was established.

Young workers of the "Rostsel'mash", "Krasnyy Aksay" and the im. Mikoyan plants, the Rostov State University, the Technical School of Railway Transport and other Schools and enterprises are highly interested in amateur radio competitions.

Card 1/2

107-8-13/62

TITLE: Full Assistance to Amateur Radio Clubs! (Samodeyatel'nyy radio-klubam - vseernuyu poddershku!)
Amateur Radio Clubs Should Exist in the Region of Rostov
(V rostovskoy oblasti dolzhny byt' samodeyatel'nyye radiokluby).

It is the duty of the "DOSAAF" Committees of the Regional Radio Club to assist in every way the enthusiasts of radio-technics and to improve their collaboration with the active members of radio amateur clubs.

The net of radio circles should be extended as much as possible, and new amateur radio clubs should be created and assisted at all times.

INSTITUTION: None

PRESENTED BY:

SUBMITTED:

AVAILABLE: At the Library of Congress

Card 2/2

A. METISLAVSKIY

107-9-10/53

AUTHOR: A. Metislavskiy, Stalino
TITLE: In the "Donbass" (V Donbasse)
PERIODICAL: Radio, 1957, # 9, p 10-11 (USSR)

ABSTRACT: This article deals with the activity of the Stalino oblast' "DOSAAF" radio club. Its radio station has obtained about 50 diplomas and certificates. During the second Donets Festival of Young People and Students many reports were read and discussions organized by council members, and a radio exhibition took place, where a great amount of ultra-shortwave and TV-equipment was demonstrated. At the 1957 Oblast' Exhibition there were shown radio- and TV-receivers, HF and VHF amateur-equipment and accessory units for long distance TV-reception, avometers and oscillographs, signal-generators and amplifiers built by members of the club. The members of the Stalino radio club designed a 2-position gamma-ray level meter for measuring the dust quantity in the first dust catchers of blast furnaces. This instrument will allow an accurate determination of the amount of dust and a prompt correction of the blast furnace charge. It will be utilized at the Steel Mill imeni Stalin.

Card 1/2

The electronic depth indicator for multi-cable mine elevators,

In the "Donbass"

107-9-10/53

designed by two other radio-amateurs, is extremely important for the coal industry and will replace the obsolete mechanical mine depth indicators.

There is one photo.

AVAILABLE: Library of Congress

Card 2/2

MSTISLAUSKIY A. L.
MSTISLAVSKIY, A.

Radio club council. Radio no.10:7 0 '57.
(Zhdanov--Radio clubs)

(MIRA 10:11)

AUTHOR: Mstislavskiy, A. (Odessa) SOV-107-58-8-15/53

TITLE: Instead of Help - Directives (Vместo pomoshchi - direktiva,

PERIODICAL: Radio, 1958, Nr 8, pp 11-12 (USSR)

ABSTRACT: The activity and progress of the Odessa Oblast Radio Club is described, followed by a criticism of its attitude toward village clubs and radio amateurs in the area. Instead of material, technical help or training, it has issued merely empty instructions. The oblast' committee of the DOSAAF also comes in for criticism on this count. There is 1 photo.

1. Radio--USSR 2. Personnel--Attitudes

Card 1/1

AUTHOR: Metislavskiy, A. (Odessa) SOV-107-50-9-13/38

TITLE: "Slava" Radio Operators (Radisty "Slavy")

PERIODICAL: Radio, 1958, Nr 9, pp 14 - 15 and p 1 of centerfold (USSR)

ABSTRACT: The author describes the life and work of the various radio operators in the factory and on ships of the "Slava" whale-fishing fleet. There are 7 photos.

1. Fishing industry--USSR 2. Radio operators--USSR

Card 1/1

AUTHORS: Anatolich, R., Matislavskiy, A. NOV/107-58-10-4/55

TITLE: The Fifteenth All-Union. (Pyatnadsataya vsesoyuznaya)

PERIODICAL: Radio, 1958. Nr 10, pp 4-6 (USSR)

ABSTRACT: The author describes the 15th All-Union Exhibition of the creative work of amateur radio designers of the DCSAAF, which took place in Riga in the beginning of August. Representatives of 49 radio clubs in the USSR came to the exhibition, bringing with them 380 exhibits of various kinds. One of the features of the exhibition was the large number of sections displaying equipment for use in the national economy. The following outstanding exhibits are mentioned: 1) a series of electronic devices for use in the oil industry, produced by B. Votlokhin (Groznyy), which won first prize in the section for initiative developments; 2) a three-dimensional oscilloscope with orthogonal commutation by I. Akulinichev, which won first prize; 3) a group-owned radio station transmitter from the DCSAAF Stalingo Radio Club which won first prize in the short-wave section; 4) a television set with a three-valve attachment, exhibited by A. Kazakevich a radio amateur from Leningrad; at certain hours every evening he

Card 1/2

The Fifteenth All-Union ...

SCV/107-58-10-4/55

receives transmissions from the London Television Center. A list of the prizewinners at the exhibition is given at the end of the article.

Card 2/2

SOV/107-59-3-14/52

9(4)

AUTHOR: Mstislavskiy, A., (Riga)

TITLE: The Employees of One Plant (Lyudi odnogo zavoda)

PERIODICAL: Radio, 1959, Nr 3, pp 15 - 16 (USSR)

ABSTRACT: The author reviews the development of the Rizhskiy radio zavod imeni A.S. Popova (Riga Radio Plant imeni A.S. Popov) beginning with its initial production in October 1944. He mentions the different types of receivers produced after World War II (T-689, T-755, V-912, Riga-6, Riga-10, Daugava, Festival'). Presently, the second class radio-phonograph "Sakta" is under development. Designers Ya. Veymanis, V. Slava, Ya. Lit-sitis, and engineers Voldemar Ivans, Leopold Stira, V. Baumgart and others are making preparations to mass-produce this apparatus. The "Sakta" will contain printed circuits, transistors and miniature tubes, a FM unit with inductive tuning, a small two-speed 3-speed record player (78,45 and 33 rpm) and

Card 1/2

05392

SOV/107-59-8-12/49

8(2)

AUTHOR: Mstislavskiy, A.

TITLE: Innovators

PERIODICAL: Radio, 1959, Nr 8, pp 16 - 17 (USSR)

ABSTRACT: Radio controlled ploughing with a DT-54 tractor has been developed at the Krasnoyarsk sovnarkhoz plant "Kraspromavtomatika" by a group of employees headed by Director V. Mikhaylov. This group consisted of engineers B. Suprunenko, I. Kuznetsova, V. Novikov, V. Yankevich, S. Chistanov, radio amateur V. Suprun, electrician G. Rozmanov and mechanic I. Dorovskikh. Originally, the plant had built 10 mechanical control devices for DT-54 tractors, which were based on the mechanical control equipment developed in Alma-Ata by Ivan Loginov for ploughing with an S-80 tractor. However, the Kraysel'khosupravleniye was not interested in such a device. Considerable difficulties had to be

Card 1/2

05392

SOV/107-59-8-12/49

Innovators

overcome by P. Fadeyev, the chief of the plant's supply department, in procuring the required radio parts. The experiments with radio controls for a DT-54 tractor were successful. It is planned to develop program controls for ploughing. Some other achievements of the plant "Kraspromavtomatika" are mentioned: intercom devices for the TETs and the ore concentrator plant of the Sorskiy molibdenovyy kombinat (Sorskiy Molybdenum Combine), and automatic equipment for the plants "Sibelektrostal'", "Sibtyazhmash", and the Kanskiy gidroliznyy zavod (~~Kanskiy~~ Hydrolysis Plant).

Card 2/2

MSTISLAVSKIY, A. (Tashkent)

Power of friendship. Radio no.1:27-28 Ja '60.
(MIRA 13:5)

(Radio clubs)

MSTISLAVSKIY, A. (Alma-Ata)

This is no way to work. Radio no.3:13-14 Mr '60. (MIRA 13:6)
(Alma-Ata Province--Radio clubs)

MSTISLAVSKIY, A. (Alma-Ata)

As instructed by Lenin. Radio no.4:7-8 Ap '60.
(MIRA 13:8)

(Radio)

MSTISLAVSKIY, A.

Initiative of radio amateurs of Shakhtino. Radio no.2:7-8 F
'61. (MIRA 14:9)

(Shakhtino--Radio clubs)

MSTISLAVSKIY, A.

Rural radio operators were second. Radio no.4:16 Ap '61.
(MIRA 14:7)

(Radio operators)

MMESL. MO II, A.

They deserve to be praised.. Radio no.9:5-6 S '61.
(MIRA 14:10)

(Radio club)

MSTISLAVSKIY, A (g. Ust'-Kamenogorsk)

We are close to the goals of 1965. Radio no.10:11-12 0 '61.
(MIRA 14:10)

(Metallurgy)

MSTISLAVSKIY, A.

His place in life. Radio no.2:14-15 F '62.
(Radio operators)

(MIRA 15:1)

MSTISLAVSKIY, A.

Always on the move. Radio no. 7:8-9 J1 '62. (MIRA 16:6)

(Antarctic regions—Russian explorations)

MSTISLAVSKIY, A.

As told by the astronauts. Radio no.10:3-5 0 '62.
(MIRA 15:10)

(Astronautics)

GONCHAROV, V.; MSTISLAVSKIY, A.

This concerns millions of people. Radio no.1:3-5 Ja '63.
(MIRA 16:1)

1. Spetsial'nyy korrespondent "Pravdy" (for Goncharov).
2. Spetsial'nyy korrespondent zhurnala "Radio" (for Mstislavskiy).
(Electric apparatus and appliances) (Communism)

MSTISLAVSKIY, A.

Standing guard at the eastern frontiers. Radio no. 247-8 F '63.
(MIRA 16:2)

(Radio, Military)

MSTISLAVSKIY, A.

Pledge of success. Radio no.4:8-9 Ap '63. (MIRA 16:3)
(Radio operators)
(Amateur radio stations)

MSTISLAVSKIY, A.

We shouldn't be satisfied with small achievements. Radio no.7:
11-12 J1 '63. (MIRA 16:7)

(Radio clubs)

(Radio operators)

MSTISLAVSKIY, A.

Outstanding radio amateurs. Radio no.6:14-15 Je '63.
(Radio operators) (Amateur radio stations) (MIRA 16:7)

MSTISLAVSKIY, A.

We rejoice over the achievements of our friends. Radio no. 12-15
Ja '65. MIRA 18-4

GRIF, A.; MSTISLAVSKIY, A.

Soldiers of the air. Radio no. 5:3-7 My '65.

(MIRA 18:5)

MSTISLAVSKIY, M.M.

Formation of red beds in the lower Permian in the northern Caucasus
(Teberda-Belaya interfluve). Izv. vys. ucheb. zav.; geol. i razv. 1
no.10:14-31 0 '58. (MIRA 12:9)

1. Vsesoyuznyy institut mineral'nykh syr'ya.
(Caucasus, Northern--Sandstone)

MSTISLAVSKIY, M.M.; STOLB, V. A.S.

Oligocene structures in the Mangashlyk stepyes. *Scv. zbl.* 3
no. 12:124-128 D '50. (1950 14:?)

1. Vsesoyuznyy nauchno-issledovatel'skiy institut n. n. r. l'rogo
syr'ya. (Mangashlyk Peninsula--Geology, Structural)

MSTISLAVSKIY, M.M.; KOCHENOV, A.V.

Maikop bone breccias and mass destruction of fishes in the "red waters."
Dokl. AN SSSR 134 no.5:1169-1172 0 '60. (MIRA 13:10)

1. Vsesoyuznyy nauchno-issledovatel'skiy institut mineral'nogo syr'ya.
Predstavleno akademikom N.M.Strakhovym.
(Mangyshlak Peninsula--Fishes, Fossil)

MSTISLAVSKIY, M.M.; KOCHENOV, A.V.

Conditions of accumulation of fish remains in Maikop sediments.
Izv. vys. ucheb. zav.; geol. i razv. 4 no.3:3-15 Mr '61.

(MIRA 14:6)

1. Vsesoyuznyy nauchno-issledovatel'skiy institut mineral'nogo
syr'ya.

(Fishes, Fossil)

MSTISLAVSKIY, P. S.
USSR/Inland Waterways

4604.0200

Nov/Dec 1947

"Complex Projects on Soviet Waterways," A. A. Tverdislov, Engr, P. S. Mstislavskiy,
Candidate in Economic Sciences, 4 pp

"Rech Trans" Vol VII, No 10

Reviews briefly following major construction projects on Soviet Waterways:
Volkhov, Dnepr, Nishnesvir, Uglich and Shcherbakov Hydroelectric Terminals;
White Sea-Baltic Canal imeni Stalin, Moscow-Volga Canal, and Dnepr-Bug and
Manych Waterways. Mentions names of engineers connected with these projects
and in some cases dimensions of project. Photographs show a floodgate of
White Sea-Baltic Canal, a Dnepr floodgate and floodgate No 6 of Canal imeni
Moscow (Moscow-Volga Canal).

LC

13070

ESTISLAVSKIY, P.

Mstislavskiy, P. "On methodological errors in the literature on the economics of industry and transportation", Voprosy ekonomiki, 1943, No. 10, p. 35-40.

SC: U-3261, 10 April 53, (Letopis 'Zhurnal 'nykh Statey, no. 11, 194).

MSTISLAVSKIY, P.

26833. MSTISLAVSKIY, P. - Nekotoryye voprosy effektivnosti kapitalovozheniy v
sovyetskom khozyaystve. Voprosy ekonomiki, 1949, No. 6, S. 96-115

SO: Letopis' Zhurnal'nykh Statey, Vol. 36, 1949

MSTISLAVSKIY, P. , SMYSHLAYEVA, L.

Economics

Clarification of industrial economics in professional journals. Voprosy Ekonomiki, No.1, 1952.

Monthly List of Russian Accessions. Library of Congress. March 1952. Unclassified.

MSTISLAVSKIY, P., kandidat ekonomicheskikh nauk.

Soviets of the national economy. Vop.ekon. no.4:136-142 Ap '57.
(MLRA 10:5)

1. Institut ekonomiki AN SSSR.
(Russia--Industries)

MSTISLAVSKIY, P.S.

PHASE I BOOK EXPLOITATION

1182

Akademiya nauk SSSR. Institut ekonomiki

Voprosy sotsialisticheskogo vosproizvodstva (Problems of Socialist Capital Formation) Moscow, Izd-vo AN SSSR, 1958. 414 p. 7,000 copies printed.

Resp. Ed.: Kronrod, Ya. A., Doctor of Economic Sciences; Ed. of Publishing House: Shenkman, B.I.; Tech. Ed.: Guseva, I.N.

PURPOSE: This collection of articles dealing with various aspects of capital formation is intended for Soviet economists.

COVERAGE: The book contains articles dealing with capital formation, relatively little publicized in Soviet economic literature. This subject is of interest because of the methodology discussed and the articles are considered by the authors as being of value to studies on national economic planning. There are no references.

TABLE OF CONTENTS:

Card 1/4

Problems of Socialist (Cont.)	1182	
From the Author		3
SECTION I. METHODOLOGY QUESTIONS ON THE THEORY OF SOCIALIST CAPITAL FORMATION		
Kronrod, Ya.A. Public Product as the Economic Category of Socialism		7
Kurskiy, A.D. Theory of Capital Formation and Some Problems of Socialist Planning		117
Bor, M.Z. Use of the National Economic Balance in Planning		157
<u>Mstislavskiy, P.S.</u> Interrelationship of National Economic Indices of the Effectiveness of Capital Investments		177
Mitrofanov, A.I. Technical Progress and Obsolescence		219

Card 2/4

Problems of Socialist (Cont.)	1182	
Kozel'skiy, N.N. Problems of National Income Distribution in the USSR		238
SECTION II. GROWTH AND DEVELOPMENT OF THE LABOR FORCE		
Sonin, M.Ya. Current Problems of Growth and Development of Labor Resources in the USSR		257
Komarov, V.Ye. Training Specialists for the National Economy		282
Dmitrashko, I.I. Economic Conditions Associated With the Development of a Skilled Labor Force on Kolkhozes		311
SECTION III. CRITIQUE OF BOURGEOIS THEORIES OF CAPITAL FORMATION		
Kolganov, M.V. History of Theories of Capital Formation and National Wealth		335

Card 3/4

Problems of Socialist (Cont.)

1182

Khavina, S.A. Capital Formation in Modern Bourgeois Literature of the US

386

AVAILABLE: Library of Congress (HC335.A629)

Card 4/4

JG/ar
2-24-59

MSTISLAVSKIY, P.

Socialism and the living standard of the people. Sov. profsoiuzy
6 no.6:24-30 Je '58. (MIRA 11:7)
(Cost and standard of living)

MSTISLAVS KIY, P.S.

3. The program planned for the originally planned Conference was as follows:

a. Plenary Session - 14 December 1959, 1500 hours

- 1) Academician V S Sushchikov - Introductory Remarks
- 2) Academician A M Ergo, A A Kopylov - Prospects for the Use of Electronic Computers in the State Apparatus
- 3) Professor V V Kurchikov - Current Problems in the Application of Mathematical Methods in Soviet Economic Research and Planning

b. Working Session - 15 December 1959, 1000 hours

I. Mathematical Analysis of Expanded Reproduction

- 1) P S Mstislavskiy - The Use of Balance Systems of Equations in Planning the National Economy

report submitted at the Soviet Conference on Problems in the Application of Mathematical Methods in Economic Research, Leningrad, 15-21 January 1960.

MSTISLAVSKIY, PAVEL SEPOYEVICH

Narodnoye potrebleniye pri sotsializme. Moskva, Gosplanizdat, 1961.

310 p.

Bibliography: p.296-303.

ESTISLAVSKIY, P.

Quantitative expression of economic relations and processes.
(MIRA 14:2)
Vop. ekon. no. 2:95-106 F '61.
(Economics)

VSESVYATSKAYA, N.; MSTISLAVSKIY, V.; SAVCHUK, P.

State Bank business and employees. Den. i kred. 18 no.12:25-36
D '60. (MIRA 13:11)

1. Upravlyayushchiy Volynskoy oblastnoy kontoroy Gosbanka (for
Savchuk).
(Banks and banking)

MSZYCA, Zdzislaw

Working methods in the Interfactory Flub of Engineering and
Rationalization. Przegł techn 84 no.43:6 27 0 '63.

MTSKHVETADZE, A.V.

Effect of physical stress on the level of arterial pressure in patients subjected to therapy with ionizing radiations. Med.rad. 7 no.7:34-38 JI '62. (MIRA 15:11)

1. Iz laboratorii patofiziologii (rukovoditel' - starshiy nauchnyy sotrudnik V.P. Cherkasov) i radioterapevticheskogo otdela (rukovoditel' - starshiy nauchnyy sotrudnik Ye.N. Mozharova) Tsentral'nogo nauchno-issledovatel'skogo instituta meditsinskoy radiologii (dir. - kand.med.nauk Ye.I. Vorob'yev) Ministerstva zdravookhraneniya SSSR.
(BLOOD PRESSURE) (STRESS (PHYSIOLOGY)) (RADIOTHERAPY)

MTSKHVETADZE, V.L. (Leningrad, nab. p. Fontanki, d.58, kv.5)

Clinical aspects and treatment of tumors of the testicle [with summary
in English]. Vop.onk. 3 no.3:331-336 '57. (MLRA 10:8)

1. Iz rentgenologicheskogo otdeleniya (zav. - prof. L.M.Gol'dshteyn)
i orgmetodola (zav. - starshiy nauchnyy sotrudnik A.V.Chaklin)
Instituta onkologii ANU SSSR (dir. - deystvitel'nyy chlen ANU SSSR
prof. A.I.Serebrov)

(TESTES, neoplasms

clin. aspects & ther. (Rus))

MTVARADZE, N.A.

Structural state of the vermiform appendix wall and its neural apparatus
in acute appendicitis in children. Soob. AN Gruz. SSR 35 no.2:421-427
Ag '64. (MIRA 17:12)

MTVARADZE, V.A.

Some characteristics of the process of ossification of bones
of the hand and the distal section of the forearm. Soob. AN
Gruz. SSR 33 no.3:679-686 Mr '64 (MIRA 17:8)

MTVARADZE, V.D.

TOPURIDZE, Ye.P.; MTVARADZE, V.D.

Studying the amebic abscess of the lungs. Soob. AN Gruz. SSR 18 no.5:
619-622 My '57. (MLRA 10:9)

1 Respublikanskaya tsentral'naya klinicheskaya bol'nitsa, Tbilisi.
Predstavleno akademikom M.D. TSinadzgvrishvili [deceased].
(LUNGS--ABSCISS) (AMEBIASIS)

S/194/62/000/006/016/232
D413/D308

AUTHORS:

Shapiro, A.M., Mtvarelidze, I.D., Kachibaya, G.A.,
and Gokiyeli, D.G.

TITLE:

Computers for automatic control of mixture composition
and heat regime of a cupola furnace

PERIODICAL:

Referativnyy zhurnal. Avtomatika i radioelektronika,
no. 6, 1962, abstract 6-1-124 u (V sb. Primeneniye
vychisl. tekhn. dlya avtomatiz. proiz-va, M., Mashgiz,
1961, 266-278)

TEXT: Two specialized continuously-operating computers are descri-
bed. The first composes under industrial conditions mixtures con-
taining up to 10 different components. The corresponding mathemati-
cal problem reduces to the solution of 10 linear algebraic equa-
tions, whose coefficients are determined from the results of chemi-
cal analyses, the type of cast-iron, and the characteristics of the
furnace. A transformer circuit is used for solving the system of
equations. Automatic computation of waste is carried out by means
of an electronic bridge circuit. The final results are printed on
Card 1/2

Computers for automatic control of ...

S/194/62/000/006/016/232
D413/D308

paper tape in numerical form. The second computer is designed to evaluate the parameters that stabilize the thermal operating conditions of the furnace. It computes the coke consumption for given liquid cast-iron temperatures and gas consumptions, and also the air consumption for a given gas composition. The computer simulates the operations of division and evaluation of the non-linear function to which the solution of the problem reduces. It is observed that as a result of experimental model tests in 1958 it has been possible to proceed to prolonged tests under industrial conditions. 11 figures, 6 references. [Abstracter's note: Complete translation.]

Card 2/2

MTV RALASHVILI, G. H.

Def. at
Tbilisi State U.

- 764. Мирашвили Георгий Абрамович. Историическое значение распространения навозных животных в Грузии. 1954, 75 [43] с. Заг. 1955, 24.5.
- 765. Насидашвили Илья Арчавозович. Исследования взаимосвязи коэффициента соматического индекса и степени интроутированности. 1937, 118 с. Заг. 1937, 21.0.
- 766. Полещенко-Насидашвили Николай Михайлович. О проблеме происхождения быков и дикотроутированности оленей. 1941, [1], 35 с. Заг. 1941, 23.10.
- 767. Полещенко Николай Георгиевич. Центр образования и распространения свойств кристаллоидного ядра. 1936, 209 с., 66 рис. (Ист. филол. АН Гр. ССР). Заг. 1936, 29, 12.
- 768. Саворская Юрия Андреевна. Замечания к анатомии и физиологии желудка и тонкого кишечника млекопитающих. 1949, 46 с. Заг. 1944, 26.12.
- 769. Хучуашвили Георгий Рафаилович. Переходные формы дикотроутированности в оленях. 1960, 24 с. Заг. 1960, 30.1.
- 770. Циташвили Руслан Васильевич. Некоторые фотоастрономические свойства естественных монохроматических тел. 1953, 60 с., с рис. (Изв. АН Гр. ССР). Заг. 1956, 1.0.
- 771. Чачуашвили Владимир Валериевич. Строение и развитие млекопитающих. Исследования по развитию человека и обезьяны. 1952, [1], 100 с., 1 л. рис. (Ист. филол. АН Гр. ССР). Заг. 1953, 27.4.
- 764. Мирашвили Георгий Абрамович. Историическое значение распространения навозных животных в Грузии. 1954, 75 [43] с. Заг. 1955, 24.5.
- 765. Насидашвили Илья Арчавозович. Исследования взаимосвязи коэффициента соматического индекса и степени интроутированности. 1937, 118 с. Заг. 1937, 21.0.
- 766. Полещенко-Насидашвили Николай Михайлович. О проблеме происхождения быков и дикотроутированности оленей. 1941, [1], 35 с. Заг. 1941, 23.10.
- 767. Полещенко Николай Георгиевич. Центр образования и распространения свойств кристаллоидного ядра. 1936, 209 с., 66 рис. (Ист. филол. АН Гр. ССР). Заг. 1936, 29, 12.
- 768. Саворская Юрия Андреевна. Замечания к анатомии и физиологии желудка и тонкого кишечника млекопитающих. 1949, 46 с. Заг. 1944, 26.12.
- 769. Хучуашвили Георгий Рафаилович. Переходные формы дикотроутированности в оленях. 1960, 24 с. Заг. 1960, 30.1.
- 770. Циташвили Руслан Васильевич. Некоторые фотоастрономические свойства естественных монохроматических тел. 1953, 60 с., с рис. (Изв. АН Гр. ССР). Заг. 1956, 1.0.
- 771. Чачуашвили Владимир Валериевич. Строение и развитие млекопитающих. Исследования по развитию человека и обезьяны. 1952, [1], 100 с., 1 л. рис. (Ист. филол. АН Гр. ССР). Заг. 1953, 27.4.

672.
Dissertation for degree of
Candidate Physico-Mathematical Sciences

MTVRALASHVILI, G. A.

MTVRALASHVILI, G. A.,

"Isotopic Shift and Distribution of Isotopes of
Certain Light Elements in Univers." Tbilisi State U imeni I. V.
Stalin, Tbilisi, 1955. (Dissertation for the Degree of Candidate
in Physical and Mathematical Sciences)

SO: M-955, 16 Feb 56

A.
MTVPALASHVILI, G.; ARUTYUROVA, M.

Determining the geological age of lead ore by isotope analysis.
Trudy Tbil. GU no.62:223-228 '57. (MIRA 11:7)

1. Tbilisskiy gosudarstvennyy universitet imeni Stalina, kafedra
obshchey fiziki.

(Lead ore) (Nuclear geophysics)

~~MUACHEVICH, E.~~ MUACHEVIC, G.

YUGOSLAVIA/General Question

A

Abs Jour: Ref Zhur-Khimiya No. 7, 1957, 21047

Author : ~~Muachevich, G.~~

Inst : None

Title : Eugen Cerkovnikov, 50th anniversary.

Orig Pub: Farmac glasnik 1954, 10, No. 12, 503-505 (published in serbo-croatian)

Abstract: Short biographic data and a list of scientific publication of professor E. Cerkovnikov (born 1904), director of the Institute of Organic Chemistry, School of Pharmacy, Zagreb.

Card 1/1

MUACEVIC, G.

CERKOVNIKOV, Eugen; MISIRLIJE, Alija, MUACEVIC Gojko, STERN, Pavao

Chemical structure and antileukemic effect. IV. *N*-phenylurethanes of certain amino alcohols. Acta pharm. jugosl. 5 no.1:43-50 '55.

1. Institute of Pharmacology Faculty of Medicine, Sarajevo and Institute of Organic Chemistry, Faculty of Pharmacy, Zagreb, Yugoslavia.

(URETHANE,

N-phenylurethanes of amino alcohols, pharmacol)

(AMINO ALCOHOLS,

N-phenylurethanes of amino alcohols, pharmacol)

MUACEVIC, G

1517. Antagonistic action of adrenochrome and serotonin on
organs containing smooth muscle. P. Stern, S. Iluković, and
G. Muacevic *Naturwissenschaften*, 1956, 43, 102 (Pharmakol. Inst.,
Med. Fak., Sarajevo, Yugoslavia). (German) P. G. STANLEY

3

HUDOLIN, Vl.; PRAZIC, B.; MUACEVIC, V.; BARAC, B.

Social problems in transvestitism. *Neurepsihijatrija* 9 no.1:54-62
'61.

1. Iz *Neurolesko-psihijatrijskog odjela Opce bolnice "Dr. M. Stojanovica"*,
Zagreb (Sef: Dr. Vladimir Hudolin).

(SEX DEVIATION)

L 45692-66 EWT(d)/T/EWP(1) IJP(c)

ACC NR: ARG017335

SOURCE CODE: UR/0044/66/000/001/B058/B059

AUTHOR: Hubarakov, T. M. 27REF SOURCE: Uch. zap. Kazansk. un-t, v. 124, no. 6, 1964, 208-240

TITLE: Solution estimates for a linear differential equation of second order with retardations

SOURCE: Ref. zh. Matematika, Abs. 1B261

TOPIC TAGS: ordinary differential equation, approximate solution, *linear differential equation, second order differential equation, differential equation solution*

TRANSLATION: A second order linear differential equation

$$X''(t) = -Q(t)X'(t) - \int_0^{\infty} X(t-s)r(t,s)ds; t \in [A, \infty).$$

is studied. It is assumed that $Q(t)$ is a continuous function, and the kernel $r(t,s)$ is for every fixed t an increasing function of s , and $r(t,0) \equiv 0$. The equation

$$X''(t) = -Q(t)X'(t) - M(t)X(t-\Delta)$$

is first studied. Here $M(t) > 0$ and $\Delta = \text{const} > 0$. This equation is a special case of (1). The polycycle of a solution $X(t)$ is the interval between two successive zeroes of this solution. The polycycle (a,b) is said to be large if $b-a > \Delta$. It is proved that, with certain assumptions, a large polycycle follows from every large polycycle

Card 1/2

UDC: 517.949.2

L 49692-66

ACC NR: AR6017335

of a solution of (2). Various comparison theorems are proved for solutions of equations of form (2). The following conventions are used: $\sup M(t) = M, \inf M(t) = m, \sup Q(t) = Q, \inf Q(t) = q, t \in [A, \infty)$. The following theorem is proved: Theorem. Let (a, b) be the large polycycle of a solution $X(t)$ of equation (2), $X(t) < 0, t \in (a, b), X'(b) > 0$. Then, if $\Delta < \sqrt{\frac{2}{M}} \cdot Q < 2\sqrt{m}$,

then the set of zeroes of $X(t)$ is not bounded on the right. Further are given various upper and lower estimates of the length of a large polycycle of a solution of equation (2) and estimates of the maximum of the module of a solution $X(t)$. For example, the following theorem is proved: Theorem. Let $X(t)$ be a solution of (2) for a given initial function $\phi(t)$ which is continuous and has at least one zero in the initial set, and let the following conditions be met: a) $Q < 2\sqrt{m}$, b) (a_0, a_1) is the first large polycycle of the solution, where $a_1 - a_0 > 2L, a_0 > A$;

c) $\Delta = \sqrt{\frac{2}{M}}$; d) $W = \frac{M}{q} \left(\sqrt{\frac{1}{m} + \Delta^2} + \Delta \right) < \dots$

Then $|X(t)| < \sup_{t \in (-\infty, A+L)} |X(t)| \frac{t - (A+L)}{L}$

where L is the upper estimate of the length of an arbitrary large polycycle. Several of the results obtained are extended to the case of equation (1). G. Kamenskiy.

SUB CODE: 12/ ~~SUB-DATA: corr.~~

Card 2/2 MT

SHCHELOKOVA, S.S.; MUBARAKOVA, K.Yu.

Role of yeast in siloing corn. Uzb. biol. zhur. 9 no.4:16-20 '65.
(MIRA 18:10)

1. Institut botaniki AN UzSSR.

MUBARAKZYANOV, G.M.

On solvable Lie algebras. Izv. vys. ucheb. zav.; mat. no.1:114-123
'63. (MIRA 16:5)

1. Kazanskiy gosudarstvennyy universitet imeni Ul'yanova-Lenina.
(Lie algebras)

MUBARAKZYANOV, G.M. (Kazan')

Classification of the real structures of Lie algebras of the
fifth order. Izv. vys. ucheb. zav.; mat. no.3:99-106 '63.

(MIRA 16:4)

(Lie algebras)

MUBARAKZYANOV, G.M. (Kazan')

Classification of solvable Lie algebras of the sixth order with
a single nonnilpotent basic element. Izv. vys. ucheb. zav.; mat
no.4:104-116 '63. (MIRA 16:10)