

POLAND/Chemical Technology. Chemical Products  
and Their Applications. Pharmaceuticals.  
Vitamins. Antibiotics.

H-17

Abs Jour : Ref Zhur-Khimiya, No 7, 1959, 24450

Author : Adamski, R., Mizgalski, W.

Inst : -

Title : The Effect of Supersonic Waves on the Yield  
of Extract from Quinine Bark.

Orig Pub : Acta polon. pharmac., 1957, 14, No 2,  
119-126

Abstract : The effect of supersonic waves on the de-  
gree of extraction from quinine bark was  
investigated. Maximum effect was attained  
for the duration of 20-25 min, further ex-  
posure to supersonic waves resulted in the

Card : 1/2

H - 81

MIZGALSKI, Witold

aleksandra Smoczkiwiczowa and Witold Mizgalski, "Separation and Determination  
of Millimicrogram amounts of Cobalt and Microgram amounts of Copper in  
Biological Material," Nature, Vol. 18, No. 4627, 1967, pp 17-18.

Published from the Meteorological Institute, Poznan; and the Institute  
of Inorganic and Analytical Chemistry, Poznan Medical Academy.

... ..

Separation and Determination of  $\text{mg}$  Co and  $\mu\text{g}$  Cu in blood.  
p. 219.

... .. (Komisja Analizy i Oceny Polskiej Akademii Nauk i Naczelna  
Organizacja Techniczna) Warszawa. Poland. Vol. 8, no. 7, 1959

Monthly list of East European Accessions (EEAI) LC. Vol. 8, No. 6, August 1969  
Uncla.

SMOCZEKIEWICZ, A.; MYZGALSKI, W.

Determination of cobalt in some pharmaceutical preparations.  
Bull.Soc.Amis Sc.Poznan, Ser.C no.9:65-70 1959.  
(COBALT chem.)

MIZGALSKI, Witold; ZYGMUNT, Irena

Paper microelectrophoresis of proteins. Postepy biochem 6 no.2:  
239-242 '60.  
(BLOOD PROTEINS chem.)

WYSOCKI, Kazimierz; SMOCKIEWICZOWA, Aleksandra; MIZGALSKI, Witold;  
KABZA, Regina

Blood cobalt content in chronic post-hemorrhagic anemia. Polski  
tygod.lek. 15 no.43/44: 1689-1691 24 0 '60.

1. Z II Kliniki Chorob Wewnętrznych A.M. w Poznaniu; kierownik:  
prof.dr J.Roguski i z Pracowni Chemii Fizycznej A.M. w Poznaniu;  
kierownik: doc.dr W.Mizgalski.  
(ANEMIA blood)  
(COBALT blood)

MIYAZAKI, Kazimierz

born [unclear], Given Name

Country: Poland

Address: Unknown (Not given)

Second Clinic of Internal Diseases (II Klinika Chorob Wewnętrznych),  
Poznan; Director: J. SOUBSKI, Prof. dr. med. and Physical Chemistry  
Laboratory, School of Medicine (Pracownia Chemii Fizycznej Akademii Medycyny)

MIYAZAKI, Kazimierz; Director: Witold MIYAZAKI, Docent, dr. med.

Source: Warsaw, Przegląd Lekarski, No 5, 1961, p 197.

Data: "Some Trace Elements in the Blood During Sideropenic Anaemia."

Co-authors:

SMOZZYKIEWICZONA, Aleksandra

MIYAZAKI, Witold, Docent, dr. med. Director of Physical Chemistry Laboratory,  
School of Medicine, Poznan

KARZA, Regina

WYSOCKI, K.; SMOCZKIEWICZOWA, A.; MIZGALSKI, W.; KABZA, R.

The content of cobalt in the blood of patients with anemia in chronic  
rheumatic diseases. Bull soc. amis sci Poznan [Med] Ser. 3 no.10:  
17-22 '61.

(RHEUMATISM blood) (COBALT blood)  
(ANEMIA etiol)

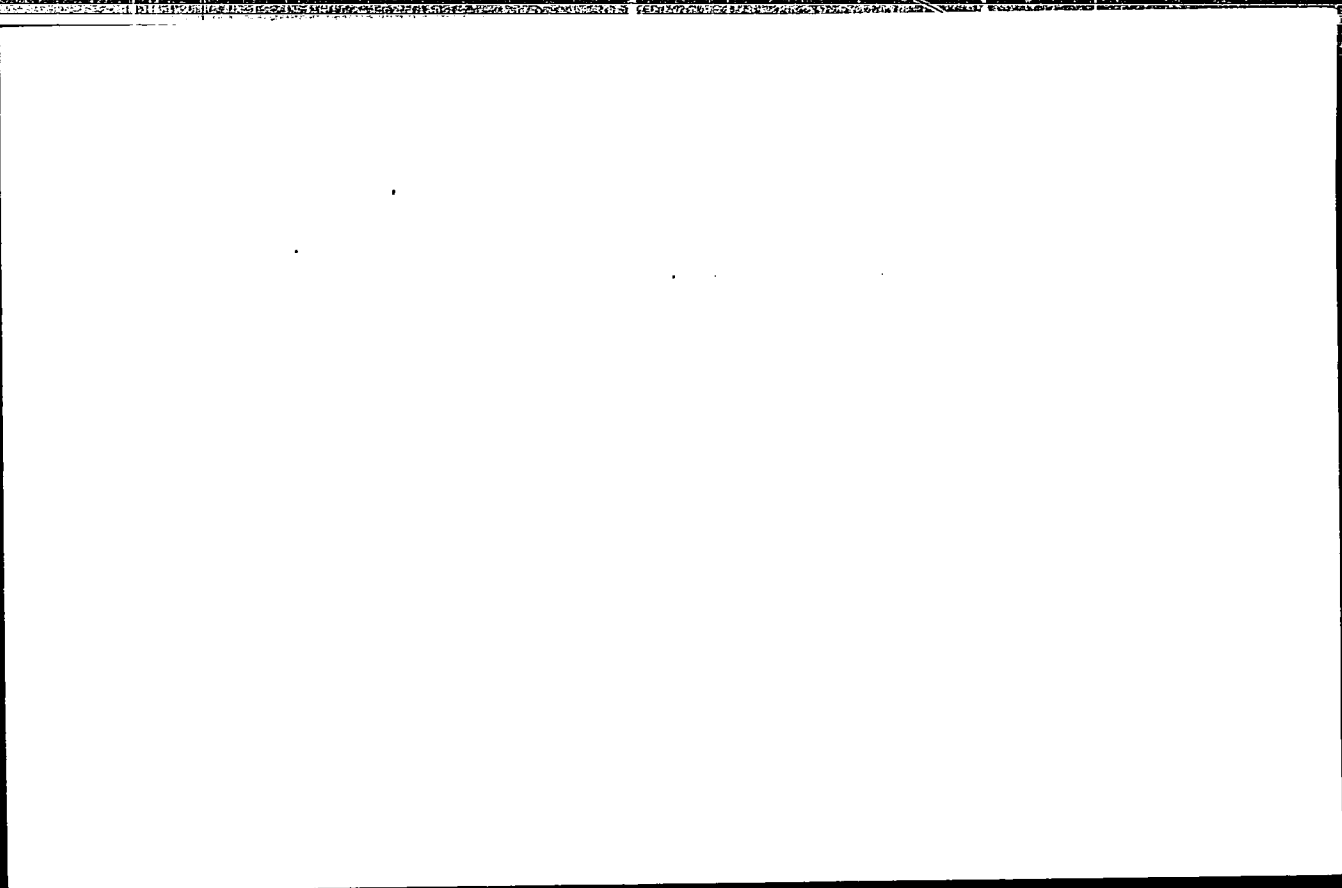
SMOCZKIEWICZOWA, A.; MIZGALSKI, W.

Determination of zinc in blood serum. Bull soc. amis sci Poznan  
[Med] Ser. C no.10:61-64 '61.  
(ZINC blood)



"APPROVED FOR RELEASE: 06/14/2000

CIA-RDP86-00513R001134810010-2



APPROVED FOR RELEASE: 06/14/2000

CIA-RDP86-00513R001134810010-2"

MIZGALSKI, Witold; ZYGONT, Irena

Effect of proflavin on human serum proteins. Acta physiol Pol 12 no.5:  
767-769 '61.

1. Z Zakladu Chemii Fizycznej A. M. w Poznaniu Kierownik: doc. dr  
W. Mizgalski.

(BLOOD PROTEINS pharmacol) (FLAVINS pharmacol)

MIZGALSKI, Witold; PLOTKOWIAK, Jan

Polarographic studies on the effect of baker's yeasts (bottom fermentation) on the decomposition of hydrogen peroxide. Acta physiol. polon. 12 no.6:905-910 '61.

1. Z Zakładu Chemii Fizycznej Akademii Medycznej w Poznaniu Kierownik:  
doc. dr W. Mizgalski.

(YEAST DRIED) (HYDROGEN PEROXIDE chem)  
(CHEMISTRY ANALYTICAL)

KWASNIEWSKA-BLASCZYK, Marcelina; MIZGALSKI, Witold; PAWLACZYK, Zofia

Quantitative determination of the degree of reversibility of hemolysis of the blood caused by ultrasonics. Acta physiol. polon. 13 no.2: 285-291 '62.

1. Z Instytutu Balneoklimatycznego w Poznaniu Dyrektor: dr J. Jankowski.  
(ULTRASONICS) (HEMOLYSIS)

WYSOCKI, Kazimierz; SMOCKIEWICZOWA, Aleksandra; MIZGALSKI, Witold; KABZA,  
Regina

The cobalt content in the blood serum of patients with malignant  
anemia, postresection syndromes and chronic gastritis. Pol. arch.  
med. wewn. 32 no.10:1281-1285 '62.

1. Z II Kliniki Chorob Wewnętrznych AM w Poznaniu Kierownik: prof.  
dr med. J. Roguski i z Pracowni Chemii Fizycznej AM w Poznaniu  
Kierownik: doc. dr med. W. Mizgalski.  
(COBALT) (ANEMIA PERNICIOUS) (POSTGASTRECTOMY SYNDROMES)  
(GASTRITIS)

W. J. ... , ...

Effect of ... on human serum ...

1. ... (Warsaw ...).

POLAND

JANKOWIAK, J. and MIZIA:SKI, W., Balneoclimatic Institute  
(Instytut Balneoklimatyczny) in Poznan (Director: Prof.  
Dr. med. J. JANKOWIAK)

"Pattern of Limb Surface Skin Temperature."

Warsaw-Krakow, Przeegląd Lekarski, Vol 19, Ser II, No 2,  
23 Feb 63, pp 139-141.

Abstract: The surface skin temperatures of left, right,  
upper, and lower extremities of patients were determined  
and analyzed by age and sex. It was established that the  
average skin surface temperature is considerably lower for  
the legs than for the arms, and considerably higher for  
middle-aged women than middle-aged men. Further studies  
in this area are urged with a view to a differentiation  
in both starting and stimulatory thermal and bath treat-  
ment for more effective balneological therapy. There are  
no references.

[Authors' Russian summary modified]

1/1

MIZGALSKI, W.; STEPHAN, G.

The influence of new coccine on proteins of the human blood  
serum in vitro. Bull. soc. amis. sci. Poznan [med.] 13:  
51-57 '64



MIODUSZEWSKI, Florian; MIZGALSKI, W , prof. dr

Book review. Farmacja Pol 20 no.2/10:388-391 25 My  
'4.

HIZNER, I.

Ventilation of central air conditioning rooms in the light of recent developments  
(G.Z. 1967, I TECHNICAL JOURNAL No. Warszawa, Vol. 30, no. 9, Sept. 1967)

30: Monthly List of East European Periodicals (EMAL) 10, Vol. 1, no. 7, July 1967. Uncl.

MIZGIER-JEZIOREK, L.

COUNTRY: Poland  
CATEGORY: Chemical Technology, Chemical Products and Their Applications--Dyeing and Chemical Treatment of  
ABD. JOUR.: RZKhim., No. 10, 1959, No. 3-6

AUTHOR: Mrowczyńska, N., Mielopolski, A., Mizgier-  
TITLE: (Not given)  
SUBJECT: The evaluation of some Polish plants as sources of dyestuffs for wool

ORIG. P.P.: Textile Institute, (Zemski Drobnog., p. 30, 1959, No. 11, 1959)  
ABSTRACT: The authors describe procedures for the preparation of dye extracts from the bark of Fraxinus alnus Mill., birch leaves (Betula alba L.), the rhizomes of Potentilla tormentilla Neck., the rhizomes of Galium verum, the pericarp of Luzula perla L., the rhizomes of Polygonum distorta L., the pericarp of Ascorhus hippocastanum L., the green parts of Galium vulgare Salisb., and from the shells of Arachis hypogaea. The dyes were applied to the wool by the one-bath (important dyes)

CARD: 1/2  
Textile Materials.  
Jeziorek, L., and Zielinska, A.

WYKAZ PRACOWNIKÓW PRACOWNIA, S.A.

Wskazuje na dane z przemysłu, s. 1-2.

WYKAZ PRACOWNIKÓW PRACOWNIA (Stowarzyszenie Pracowników - Pracownicy Przemysłu Stalowego) Warszawa, Polska.  
Wz. 13, n. 1, 1970.

Analizy listy dostawców (Wz. 13, Wz. 14, Wz. 15, Wz. 16).

Incl.

ROBINSON V.Ye., MIZGIREV, P.I.

Method for simultaneous studies of gastric and pancreatic secretions  
[with summary in English]. *Biul. eksp. biol. i med.* 45 no. 6:112-114  
Je '58 (MIRA 11:8)

1. Iz kafedry anatomii i fiziologii cheloveka i zivotnykh (zav. - prof.  
V.Ye. Robinson) Ryazanskogo pedagogicheskogo instituta. Predstavlena  
deystvitel'nykh chlenom AMN SSSR N.A. Rozhanskim [deceased].

(GASTRIC JUICE,

secretion, simultaneous study with pancreatic secretion  
(Rus))

(PANCREAS,

juice simultaneous study of gastric & pancreatic secretion  
(Rus))

MIGIREV, V.

A new topic in the academic literature. Mor. list of books  
46 Ap 1955. (MI A 1816)

1. Starshiy vaktennyy mekhanik atomnogo ledokola "Lenin".

L 8974-66 EWT(1)/EWT(m)/EWP(t)/EWP(b)/EWA(m)-2 IJP(a) ID/AT  
ACC NR: AP5027423 SOURCE CODE: UR/0181/65/007/011/3404/3406

AUTHOR: Vorob'yev, L. Ye.; <sup>44,55</sup> Mizgireva, L. P.; <sup>44,55</sup> Soltanov, U. B.; <sup>44,55</sup> Stafeyev, V. I.; <sup>72</sup>  
Shturbin, A. V. <sup>44,55</sup>

ORG: Leningrad Polytechnical Institute im. M. I. Kalinin (Leningradskiy politekhnicheskii institut)

TITLE: Variation in transmittance of p-germanium in strong electric fields

SOURCE: Fizika tverdogo tela, v. 7, no. 11, 1965, 3404-3406

TOPIC TAGS: germanium semiconductor, hole transition, electron transition, electric field, absorption spectrum  
<sup>21,44,55</sup>

ABSTRACT: Preliminary data are given on the change in transmittance of p-type germanium in electric fields with intensities from 0.5 to 2.1 kv/cm. Curves are given for the variation in the hole absorption cross section as a function of wavelength at a lattice temperature of 88°K, and for modulation of the incident radiation as a function of its wavelength. A maximum is observed in the 3 μ region, and a minimum in the 4 μ region. These extrema correspond to a reduction and increase respectively in the transmittance of germanium due to transitions from the heavy hole band to the cleavage band. A third peak in the neighborhood of 4.7 μ is caused by transitions from the light hole band to the cleavage band, and a fourth near 8 μ is the result of

Card 1/2

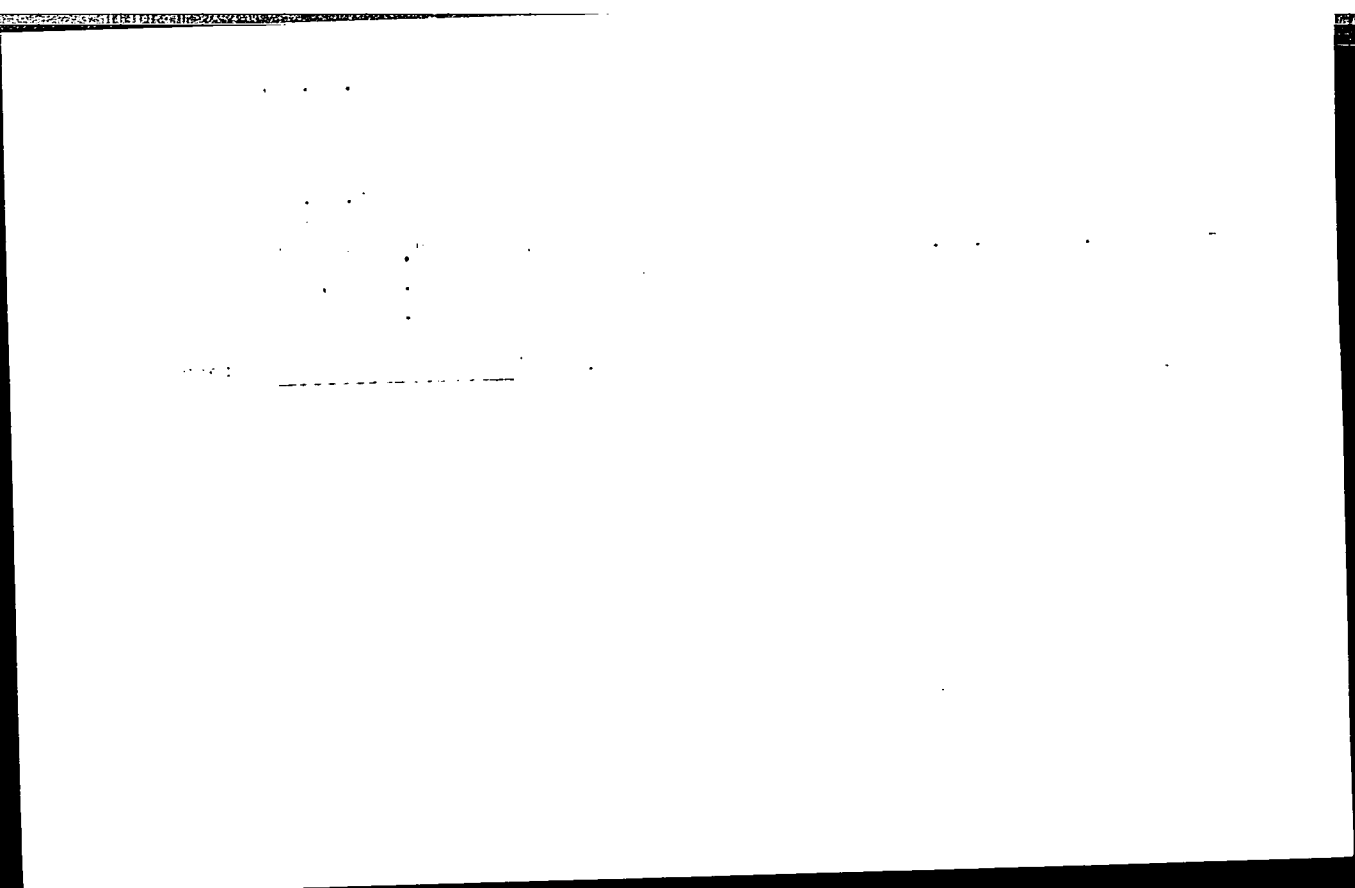
2

L 8974-66  
ACC NR: AP5027423

transitions between the heavy and light hole bands. This fourth extremum corresponds to maximum modulation in the region of greatest change in the absorption cross section. Orig. art. has: 2 figures.

SUB CODE: 20,07/      SUBM DATE: 20Apr65/      ORIG REF: 000/      OTH REF: 006

PC  
Card 2/2





MIZGIREVA, M.F.

Effect of intestinal flagellates on the course of bacterial  
dysentery [with Summary in English]. Med.parez. i paraz.bol. 26  
no.1:85-87 Ja-F '57. (MLRA 10:6)

1. Iz Instituta malyarii i meditsinskoy parazitologii Ministerstva  
zdravookhraneniya Turkmenkoy SSR (dir. - dotsent G.A.Pravikov)  
(DYSENTERY, BACILLARY, compl.  
aggravation by infect. with intestinal flagellates)  
(MASTIGOPHORA, infect.  
causing aggravation of bacillary dysentery)

MIZGIREVA, M.F., kand.med.nauk

Recovery of children from lambl~~iasis~~iasis in children's groups in  
Ashkhabad. Zdrav. Turk. 4 no.5:50-51 8-0 '60. (MIRA 13:12)

1. Iz Ashkhabadskogo instituta epidemiologii i gigiyeny (dir. -  
dotsent Ye.S.Popova). (ASHKHABAD...GIARDIASIS)

MEDVEDEV, A.S.; MIZGLEVA, M.F.; RUSAKOVA, L.V.

Clinical course of bacillary dysentery complicated by protozoa infestation. Zdrav. Turk. 5 no.3:7-10 My-Je '61. (MIRA 24:10)

1. Iz kafedry infektsionnykh bolezney (zav. - dotsent A.S.Medvedev) Turkmenskogo gosudarstvennogo meditsinskogo instituta imeni Stalina i Ashkhabadskogo instituta epidemiologii i gigiyeny (dir. - dotsent Ye.S.Popova).

(DYSENTERY)

(AMEBIASIS)

SECRET, M.F.

Table of contents of the report, dated 1965, pp. 1-3. (S) 8787.  
1. paraz. . . . .

.. 12 ASKAZHIVAZHNO IZVESHCHENIE O RAZVITII I SOSTOYANIИ  
1018001 X. . . . .  
100.

MIZGIREVA, M. F.; GLEYBERMAN, S. Ye.

Hyaluronidase enzyme in the cultures of *Entamoeba histolytica*.  
Izv. AN Turk. SSSR. Ser. biol. nauk no. 6:34-41 '63. (MIRA 17:5)

1. Ashkhabadskiy institut epidemiologii i gigiyeny.

MIZGIREVA M.F., SOLOV'YEV M.V.

Dissemination and some epidemiological problems of amebiasis  
in Ashkhabad. Med. parazit. i parazit. biol. 32 no. 3:329-331 My-Je 63  
(MIRA 1963)

1. Iz Ashkhabadskogo instituta parazitologiy i parazitarnykh bolezney (i.e. -  
d tsent Ye.S. Popova).

MIZGIREVA, M.F.

Amebiasis in the Turkmen S.S.R. and measures for its control.  
Zdrav. Turk. 7 no.4:33-36 Ap'63. (MIRA [REDACTED])

1. Iz Ashkhabadskogo instituta epidemiologii i gigiyeny (dir.  
dotsent Ye.S.Popova, nauchnyy rukovoditel' - prof. Ye.Ya.  
Gleyberman).

(TURKMENISTAN—AMEBIASIS)

MIZGIREVA, O.F.

Turkmenian mandrake. Probl.bot. no.2:167-205 '55. (MIRA 8:11)  
(Mandrake)



MIZGIREVA, O.F.

Origin of the Babarab apple. Izv.AN Turk.SSR no.1:71-74 '56.  
(MLBA 9:8)

1. Turkmenskaya opytnaya stantsiya Vsesoyuznogo instituta raste-  
niyevodstva.

(Apple)

BLINOVSKIY, K.V.; MIZGIREVA, O.F.

Cultivating yuccas in Turkmenistan. Izv. AN Turk. SSR no. 4: 53-58 '57.  
(MIRA 10:10)

1. Botanicheskiy sad AN SSR i Turkmenskaya opytnaya stantsiya  
Vsesoyuznogo instituta rasteniyevodstva.  
(Turkmenistan--Yucca)

BREZHNEV, D.D., akademik, prof.; GAZENBUSH, V.L.; KAMERAZ, A.Ya.;  
MEDVEDEV, P.F.; MIZGIREVA, O.F.; FILOV, A.I.; ZHUKOVSKIY, P.M.,  
akademik, prof., obshchiy red.; LEONT'YEV, V.M., red.; CHUNA-  
YEVA, Z.V., tekhn.red.

[The flora of cultivated plants of the U.S.S.R.] Kul'turnaya  
flora SSSR. Moskva, Gos.izd-vo sel'khoz.lit-ry. Vol.20.  
[Vegetable plants of the nightshade family: tomato, eggplant,  
black nightshade, melon pear, pepper (Capsicum), ground cherry,  
mandragora] Ovoshchnye paslenovye; tomat, baklazhan, chernyi  
paslen, dynnaya grusha, perets, fizalis, mandragora. 1958.  
531 p. (MIRA 13:3)

1. Vsesoyuznaya akademiya sel'skokhozyaystvennykh nauk imeni V.I.  
Lenina (for Brezhnev, Zhukovskiy).  
(Nightshade) (Vegetables)

DOMANSKI, Jan M.; HIZGIROW, Mikolaj (Warszawa)

Mechanized raising of excavated materials from drifts.  
Przeł budowl i bud mieszk 33 no.2:98-99 107 F '61.

POLYANSKIY, N.G.; VISHNEVSKAYA, V.I.; MIZH-MISHIN, Yu.M.

Thermal stability of the sulfonaphthalene formaldehyde  
resin KU-5. Vysokom.soed. 1 no.8:1249-1257 Ag '59.  
(MIRA 13:2)

1. Daugavpilsskiy gosudarstvennyy pedagogicheskiy institut.  
(Gums and resins, Synthetic--Thermal properties)

MIZHBURSKIY, I., slovar'-instrumental' shchik

Automatic machines for the production of upholstery hardware.  
Prom. koop. 12 no.7:11 J1 '58. (MIRA 11:8)

1. Artel' "Trudovik" Kiyevskogo gorpromsoвета.  
(Upholstery--Equipment and supplies)

AFANAS'YEV, A.P.; ANUCHIN, V.G.; VINOGRADOV, K.V.; GARANINA, M.M.;  
GILEROVICH, M.M.; DUBROVSKIY, Ye.P.; YEVSTIGNEYEV, A.A.; IOKHVIN,  
M.R.; KALMYKOV, P.M.; KRENGEL', I.TS.; LOSEV, I.G.; MAYEVSKIY,  
F.M.; MAZEL', S.I.; MIZHERITSKIY, G.S.; NOVIKOV, M.I.; NAZAR'YEV,  
O.V.; PHELKINA, I.A.; RAZUMOV, V.S.; ROZENBLYUM, I.M.; SEROV, B.P.;  
SKRYPNIK, T.I.; SAL'VIN, Ye.S.; SMOTRINA, V.F.; TELEPNEVA, N.S.;  
FIL'CHAKOV, N.I.; KHRAPUNOVA, Ye.L.; UNDREVICH, G.S.; UR'T'YEV, P.P.;  
SHILOV, A.A.; SHLYKOV, A.P.; KIRILLOV, L.M., red.; MARKOCH, M.G.,  
tekh.n.red.

[Regulations on the construction of municipal telephone network lines]  
Pravila po stroitel'stvu lineinykh sooruzhenii gorodskikh telefonnykh  
setei. 2.izd. Moskva, Sviyaz'izdat, 1962. 511 p. (MIRA 15:5)

1. Russia (1923- U.S.S.R.) Ministerstvo svyazi. Glavnoye upravleniye  
kapital'nogo stroitel'stva.  
(Telephone lines)

SVIRIDENKO, S.Kh.; AKHMECHET, S.; VOLKOV, A.A.; MEYSELI, A.M.;  
MIZHEVSKIY, L.L.; POLOKOV, L.M.; RASEKOVICH, M.I.;  
SRITNER, L.A.; KHVALOV, Yu.G.; SHPIGLER, L.A.; SHAROV,  
L.K.; ORLIKOV, M.L., inzh., retsenzent; SVECHENKOV, L.V.,  
inzh., retsenzent; KATSIYEVSKIY, A.G., inzh., red.

[Elements of the automation of machine tools] Elementy  
avtomatizatsii metallorezhushchikh stankov. Moskva, Mash-  
giz, 1964. 210 p. (MIRA 1964)



PIZHICHKOV, Vasilii Ivanovich; MEDNIKOV, Vsevolod Anatol'yevich;  
SOBANKIN, V.V., red. [deceased]; MEL'NIKOV, V.Ye., red.

[Weight-lifting rail cranes; design, operation and repair  
"Gruzopod"emnye krany na zheleznodorozhnom khodu; ustroistvo,  
ekspluatatsiia i remont. Izd. 2., dop. i perer. Moskva,  
Transport, 1964. 455 p. (MIRA 17:1)

SVI. IDENKO, Leonid Konstantinovich; BARAB-TARLE, Matus' Yeleovich;  
MIZNEVSKIY, Lev Leonidovich; LASHKOVICH, Mikhail Pavlovich;  
SRIBNER, Leonid Andreyevich; SHKAGO, Leonid Konstantinovich;  
ORLIKOV, M.L., kand. tekhn. nauk, retsenzent; ROMANOV, A.I.,  
inzh., red.; BYKOVSKIY, A.I., inzh., red.; GORNOSTAYPOL'SKAYA,  
M.S., tekhn. red.

[Program control of jig drilling machines] Program: noe upravle-  
nie koordinatno-sverlil'nymi stankami. Moskva, Mashgiz, 1962.  
87 p. (MirA 15:9)

(Drilling and boring machinery--Numerical control)

KOŁODZIEJSKA, Hanna; MEDVEY, Wojciech; MIZIA, Tadeusz; NOWAK, Stanislaw;  
URBAN, Anna

Evaluation of the diagnosis of pre-invasive cancer of the cervix uteri  
before surgery. Pol. tyg. lek. 17 no.36:1412-1414 3 S '62.

1. Z Instytutu Onkologii, oddział w Krakowie; dyrektor: doc. dr med.  
Hanna Kolodziejska.

(CERVIX NEOPLASMS)

L 8517-66 EWP(t)/EWP(b) LJP(c) JD

ACC NR: AP5025556

SOURCE CODE: PO/0021/65/000/008/0285/0289

**AUTHOR:** Paszek, Wladyslaw (Docent, Doctor, Engineer); Kubek, Jerzy (Doctor, Engineer); Hickiewicz, Jersy (Master engineer); Zywiec, Aleksander (Master engineer); Mizia, Wladyslaw (Master engineer)

**ORG:** Department of Electrical Machines, Silesian Polytechnic Institute ( Politechnica Slaska, Katedra Maszyn Elektrycznych)

**TITLE:** Speed and voltage control of electric machines using silicon controlled rectifiers

**SOURCE:** Przegląd elektrotechniczny, no. 8, 1965, 285-289

**TOPIC TAGS:** silicon controlled rectifier, trigger circuit, electric motor, semiconductor device, voltage stabilizer, current stabilization, electric rotating equipment

**ABSTRACT:** The paper discusses systems for the stabilization and control of voltage, current, rate, and torque of electrical motors which use silicon controlled rectifiers (SCR). Detailed discussions cover the following topics: the output characteristics of stabilization systems using SCRs; means of increasing the accuracy of tachometric feedback; output stabilization of controlled rectifiers with resistors; the structure of a SCR and its properties; volt ampere characteristic of a SCR; the principle of output voltage control of rectifiers using SCRs; the operation of a half-wave rectifier using a SCR; and three-phase bridge-type rectifiers using SCRs. The design of trigger circuits for SCRs are listed. The advantages of using semicon-

Card 1/2

APPROVED FOR RELEASE: 06/14/2000

CIA-RDP86-00513R001134810010-2"

L 8517-66

ACC NR: AP5025556

ductor devices in such circuits over magnetic devices are indicated. The operation principle of a trigger circuit using transistors intended for an SCR, and schematic of a system for automatic control of voltage and current of a three-phase rectifier using SCRs and its application to the control of speed of a DC motor with external excitation are considered. The relative advantages of using either semiconductor devices or magnetic devices in rectifier control systems are discussed and the factors governing the choice of the device are listed. Measures protecting a SCR control system against current overloads are discussed. Some specifications of a system using SCRs and intended for the stabilization of voltage, minimal and maximal current of a SCR developed at the Department of Electrical Machines (Katedra Maszyn Elektrycznych) are given. Orig. art. has: 10 figures and 3 formulas.

**SUB CODE:** EC, EE / **SUBM DATE:** none / **ORIG REF:** 003 / **OTH REF:** 002 / **SOV REF:** 004

Card 2/2

L 8514-66 EWP(t)/EWP(b) JD  
 ACC NR: AP5025559 SOURCE CODE: PO/0021/65/000/008/0308/0311

AUTHOR: Potok, Edmund (Master engineer); Paszek, Wladyslaw (Docent, Doctor, Engineer); Mubak, Jerzy (Doctor, Engineer); Hickiewicz, Jerzy (Master engineer); Zywiec, Aleksander (Master engineer); Glinka, Tadeusz (Master engineer); Mizia, Wladyslaw (Master engineer)

ORG: [Potok] "Laziska" Ironworks (Huta "Laziska"); [Paszek, Kubek, Hickiewicz, Zywiec, Glinka, Mizia] Department of Electrical Machines, Silesian Polytechnic Institute (Politechnika Slaska Katedra Maszyn Elektrycznych)

TITLE: Advanced method of controlling the feed of electrodes in electric arc furnaces by means of transducers

SOURCE: Przegląd elektrotechniczny, no. 8, 1965, 308-311

TOPIC TAGS: arc furnace, electrode, automatic control system, measuring instrument, transducer

ABSTRACT: After a brief discussion of the operational characteristics of electric arc furnaces the paper discusses at length the requirements which must be met by electrode feed systems. The systems controlling the electrode feed in arc furnaces are then divided into five groups depending on the measurement and the amplifying units. Control systems using transducer amplifiers are discussed and their advantages in comparison with the other methods are pointed out. A schematic of an electrode feed control system employing transducers developed by Silesian Polytechnic Institute (Politechnika Slaska) is shown. It consists of a measurement unit,

Card 1/2

L 8514-66  
 ACC NR: AP5025559

amplifiers, and a motor drive. The measurement unit compares voltages which are proportional to the arc current and arc voltage. The simplified equivalent circuit of the measurement unit is analytically investigated. The system was fabricated to be used in an arc furnace in the "Laziska" Ironworks (Huta "Laziska") for smelting ferro-manganese. The size of the system is 1.85x0.7x1.85, and its operation is illustrated by a number of oscillograms. The results of tests in operation are given. Orig. art. has: 12 figures and 7 formulas.

SUB CODE: EC, IE / SUBM DATE: none / ORIG REF: 001 / OTH REF: 003 / SOV REF: 001

Card 2/2

M. Zick, O.

2

Treatment of Low-grade Ores in Czechoslovakia. O. Mílek  
(Czech. Heavy Ind., 1936, (10), 35-44). Iron and copper ores  
are dealt with, and flotation plant and crushing shops are  
described and shown in plans.

RL  
any

[Faint, mostly illegible text, possibly bleed-through from the reverse side of the page]

MIZIKAR, V.; SEINER, M.

Metz sausage from the point of view of the nutrition hygiene. p. 4<sup>96</sup>

PRŮMYSL POTRAVIN. (Ministerstvo potravnarskyho prumyslu) Praha, Czechoslovakia.  
Vol. 9, no. 9, Sept. 1952

Monthly List of East European Accessions (EEAI), LV, Vol. 9, no. 7, July 1959  
Uncl.

PETRAKOV, Yakov Kuz'mich; MIZIKEVICH, Sergey Petrovich; STARCHAKOVA,  
I.I., red.; MEDRISH, D.M., tekhn. red.

[Fair in Luzhniki] IArmarka v Luzhnikakh. Moskva, Gostorgizdat,  
1962. 45 p. (MIRA 16:3)

(Moscow--Fairs)



AUTHORS:

Birakovskaya, N. S.,  
Zakharova, M. G., Mizikina, A. I., and Is, A. A.

TITLE:

Catalytic Solidification of Polydimethylsiloxane  
at Room Temperature (kataliticheskoye tverzheniye  
polidimtilsiloksana pri komnatnoy temperature)

PERIODICAL:

Doklady Akademii Nauk SSSR, 1978, Vol. 138, No. 1, p. 120-121  
(USSR)

ABSTRACT:

It is known that the transformation process of linear and  
branched alkylpolysiloxanes takes place in a non-fusible and  
insoluble state at 230-250° and demands a longer time. This  
fact complicates the process and limits the range of use of  
the silicon organic polymers considerably. Since nothing worth  
mentioning could be found in the publications (except the  
Refs 1, 2 for silastic silastik RTV) the authors decided to  
explicit the interaction between hydroxyl groups of the linear  
polydimethylsiloxanes and the alkoxy groups of the  
polyfunctional silicon organic monomers in order to produce  
tridimensional alkylpolysiloxanes. Such a formation method  
of transverse siloxane compounds is more favorable from the  
energetic point of view than the stripping of the hydroxyl

Card 1, 3

Catalytic Solidification of Polydimethylsiloxane  
at Room Temperature

S. V. ZIL'BERMAN

or of an active radical for the polymeric chain. In the case of a common thermal vulcanization by addition of sulfur at much lower temperatures. The authors investigated the catalytic activity of some orthotitanic acid esters (isobutyl, propyl, and butyl esters) in order to find effective accelerators for this purpose. Furthermore they investigated a number of tin organic compounds (mostly of the organotin dialkyls tin which contained acetyl, vinyl, and allyl groups). The phenomenon of cold vulcanization of liquid and rubber-like polydimethylsiloxanes was expressed in all cases by a gradual increase of the viscosity and the shear stress of the polymer, its elastic properties increase, its solubility was lowered, etc. Figures 1 and 2 show curves which illustrate the change of the shear stress  $\sigma$  and recovery of the polymer under the influence of the organotin and organotitanium compounds. Table 1 shows the properties of the vulcanizates. The measurement results show a great change of the vulcanization process according to the type of the used organotin and organotitanium compounds. The mechanism of an organotin compound (Fig. 1 and 2). The catalytic effect can be

Card 2/4

Catalytic Solidification of Polydimethylsiloxane  
at Room Temperature

S. V. ZIL'BERMAN

explained by the formation of an active complex (scheme page 606). The method of "cold" vulcanization worked out by the authors may be applied for the production of rubber material, cast combinations, rubber-soaked tissues, etc. and compounds which can be solidified at room temperature. The rubbers thus produced have much better properties than rubber of the same composition which was vulcanized according to the method used hitherto. Ye. N. Zil'berman, N.A. Rybakova, C. V. Nogina assisted in this paper. There are 4 figures, 2 tables, and 4 references, 1 of which is Soviet.

ASSOCIATION: Vsesoyuznyy nauchno-issledovatel'skiy institut aviatsionnykh materialov (All Union Scientific Research Institute of Airplane Materials)

PRESENTED: April 28, 1958, by A. V. Topchayev, Member, Academy of Sciences, USSR

SUBMITTED: April 14, 1958  
Card 1/1

06/14/2000 11:00 AM  
DIA 0102

**AUTHOR:** Serov, Vasily, N. N., Berlin, A. A., G. I. Ivanov, M. G. M. Maslennik, N. I.

**TITLE:** Transmission of polydimethylsiloxane...

**SOURCE:** ...; Izv. Akad. Nauk SSSR, Ser. Khim., 1961, 208-210

**NOTE:** This is a discussion in which S. N. ... (NIIRP, Moscow), I. A. ... (Leningrad) and K. A. ... (Leningrad, U.S.S.R. part). The authors disclosed that the cold vulcanized ... properties deteriorate...

**APPROVED FOR RELEASE: 06/14/2000** **CIA-RDP86-00513R001134810010-2**

Vulcanization of polydimethyl...

3,000 01, 01, 01 01 01  
0211/0102

and ZnO. The scheme of vulcanization proposed of the author is in  
agreement with experimental data; in particular, it explains the influence  
of the structure of organic tin compounds on the rate of the vulcaniza-  
tion. In addition, the character of the vulcanization curve is explained  
by its development and the presence of induction period. It is deter-  
mined by postulating the formation of intermediate complex. The  
swelling property of the "solid" vulcanized polymer, investigated in  
toluene, was the same as that of the "hot" vulcanized rubber. The  
viability period of the mixtures increases with the rate of vulcani-  
zation.

12838

158170 1581

AUTHORS: Berlin, A. A., Baranovskii, G. S., Suknov, V. A.

TITLE: Degradation and structuralization of polydimethylsiloxane (PDMS) under thermal action.

PERIODICAL: Akademiya Nauk SSSR Doklady, vol. 112, no. 1, 1977, p. 112-114.

TEXT: The primary thermal cracking of organic materials is initiated by the weakest macromolecular bonds. These bonds are formed at the branching points of the initiator, of oxygen, of peroxide, of double bonds, etc. The possibility of increasing the thermal stability of polymers by removing the weak bonds was examined. It was found that the thermal rendering difficult the development of a radical chain reaction, the disintegration of macromolecules. In the present work, a study was made of polydimethyl siloxane rubber which was irradiated with gamma-rays. The sample considerably was heated to 200°C under vacuum. The sample was found to be (mean molecular weight 40 - 50 · 10<sup>4</sup>) was irradiated with gamma-rays. The inorganic filler and benzoyl peroxide, and was then heated to 200°C.

Card 1/3

12838

Degradation and structuralization of polydimethylsiloxane

high metallic molds. These molds were heated and cooled in the range 150 - 350°C. A few molds were taken out after each stage. The hardness and mechanical stability of the samples were determined. As is shown by the results, the thermal stability of the polymer under exclusion of air (i.e., in the absence of a chain transfer agent) results a rearrangement of the macromolecular structure. The macromolecules formed in the process of thermal degradation are "thermally stable" and are therefore thermally more stable than the original polymer. The process is a radical process, and basically consists of three reactions: (1) molecular destruction of the initial polymer in the weak bonds; (2) formation of macroradicals; (3) chain transfer through the formation of macroradicals; (3) structuralization of the system by the reaction of the macroradicals under development of a crosslinking network which is resistant against heat treatment. Two conversion stages, differing both from each other, and characterized by the predominance of the reaction (1) and (2) or the reaction (3) take place successively in the first stage of polydimethyl siloxane rubber under exclusion of air. In the first stage, tensile strength and Shore hardness drop, and rise again in the subsequent second stage. The rates of drop and subsequent rise of the

Card 2/3

MARSHAK, I.M., kand.tekhn.nauk; SURZHIN, S.N., kand.tekhn.nauk; MIZIKIN, S.N.,  
starshiy inzh.

Investigating the work conditions of stoves for hot smoking of fish.  
Trudy VNIRO 39:106-132 '59. (MIRA 14:6)  
(Fish, Smoked) (Smokehouses)

MIZIKIN, S.N., starshiy inzh.

Sorting of fish based on the shadow area and the use of photocells.  
Trudy VNIRO 39:160-165 '59. (MIRA 14:6)  
(Fishes) (Sorting devices) (Photoelectric cells)

MIZIKIN, S.; <sup>N</sup>CHAMATOV, S.

Controlling the smoke density and the temperature of the product  
in smokehouses. Mas.ind.SSSR 31 no.5:13-15 '60.

(MIRA 13:9)

(Smokehouses)

(Sausages)



MROCHKOV, K.A., kand.tekhn.nauk; DAVYDOVA, Yu.S., kand.tekhn.nauk;  
MIZIKIN, S.N., inzh.

Investigating cold oil extraction from whale bones. Trudy VNIRO  
45:106-115 '62. (MIRA 16:5)  
(Extraction (Chemistry)) (Whale products)

USSR/Metals - Cast Iron, Manufacture,  
Furnaces

Dec 51

"Cupola Furnaces With Water Cooling," N. A. Barinov,  
Cand Tech Sci, V. P. Mizikin, Engr, Plant Imeni  
Voykov

"Litey Proizvod" No 12, pp 15, 16

Describes construction changes of cupola furnaces  
to increase capacity from 7 to 10 tons of metal  
melted per hr. Water jacket around metal  
furnace permitted decreasing refractory zone of  
thickness from 250 to 60 mm, ID being increased to

USSR/Metals - Cast Iron, Manufacture,  
Furnaces, (Contd)

203T93

1,250 mm. Experience for 4 months showed no  
burning through shell, higher temp of liquid  
metal, and lower consumption of refractory  
materials and repair costs.

Dec 51

МИНИСТЕРСТВО

203T93

1. [Illegible]

2. [Illegible]

3. [Illegible]

4. [Illegible]

9. Monthly List of Russian Accessions, Library of Congress, \_\_\_\_\_ 1953. Unclassified.

MIZIKIN, V.P.

Calculating the water cooling of cupola furnaces. Lit. proizv. no. 8:11-  
12 N '54. (MLBA 8:1)  
(Cupola furnaces)

MIZIKIN, V.P.

AV  
V 2841. ECONOMICS OF THE WATER-COOLED COPOLA. Mizikin, V.P. (Lithuanian).  
Proizv. (Soviet Union, U.S.S.R.), Sept. 1955, (9), 13, 14; abstr. in Bull.  
Brit. Inst. Iron. Ass., Nov. 1955, vol. 13, 157). The author presents a number  
of formulas from which the efficiency of a copola can be calculated, and applies  
them to determining the economic advantages of the water-cooled copola.

MIZIKIN, V.P.

MIZIKIN, V.P. "Investigation of the Operation of Water-Cooled Cupolas."  
Min Heavy Machine Building USSR. Central Sci Res Inst of  
Technology and Machine Building (TsNITMash). Moscow, 1956.  
(Dissertation for the Degree of Candidate in Technical  
Science)

So: Knizhnaya Letopis', No. 18, 1956,

MIZIKIN, V. P.

*M. P.* Cupola furnace. V. P. Mizikin. U.S.S.R. 104,072. Feb. 25, 1957. The melting zone of a water-cooled cupola is made of seamless pipe through which the water circulates and having lugs welded on facing the melting zone. M. Hosh

SOV/126-52-1-6 (27

18(5)  
AUTHOR:

Mizikin, V.P., Candidate of Technical Sciences

TITLE:

Thorned Screen in the Cupola Melting Belt

PERIODICAL:

Liteynoye Proizvodetvo, 1957, Nr 4, pp 11-12 (USSR)

ABSTRACT:

Tendencies have been noticed lately to transform the cupola into a closed melting furnace, which combines a highly heated blast and a careful purification of the gases with fully mechanized system to charge and to remove the slags as well as with automatic control of the melting process. In this connection research was done to find ways to preserve the inner dimensions of the melting belt, and to reduce the loss of heat caused by water cooling, both of which is necessary, if the melting process is to be automatically controlled and intensified. Some relations were found which are important for water cooled cupolas. Water cooling does not lower the temperature of the cast iron, even if the inner fire proof casing in the melting belt is totally worn out. The water cooling functions to prevent overheating and burning through of the cupola

MIZIKIN, V.P.

Institute of Sanitary Engineering. Izv. ASIA no.1:119 '60.  
(MIRA 13:9)

1. Uchenyy sekretar' instituta sanitarnoy tekhniki Akademii  
stroitel'stva i arkhitektury SSSR.  
(Sanitary engineering--Research)



ROTIM, A.L.; MIZIKIN, V.P.

The "Iskitin" cast-iron sectional boilers and their thermotechnical indices. Sbor. trud. NIIST no.4:114-126 '60. (MIRA 13:11)  
(Boilers)

MIZIKIN, V.P.

Institute of Sanitary Engineering. Izv. VSI no.2:125-126  
'61. (MIRA 15:1)

1. Uchenyy sekretar' Instituta sanitarnoy tekhniki Akademii  
stroitel'stva i arkhitektury SSSR.  
(Domestic engineering.)

MIZIKIN, V.P.

Sanitary Engineering Institute. Izv. ASIA no.4:124-125 '61.  
(MIRA 16:11)

1. Uchenyy sekretar' Instituta sanitarnoy tekhniki Akademii  
stroitel'stva i arkhitektury SSSR.

MIZIKOV, M., inzhener.

The cutter "Kievlanin." Rech. transp. 14 no.2:27-28 F '55.  
(Ships) (MIRA 8:5)

MIZIKOVA, I.Z.

Characteristics of the course of vestibular and psychosensory forms of cerebral rheumatism in children and adolescents; from data of catamnestic studies. Zhur.nevr.i psikh. 62 no.7:1067-1071 '62. (MIRA 15:9)

1. Kafedra detskoy psikiatrii (zav. - prof. G.Ye.Sukhareva)  
TSentral'nogo instituta usovershenstvovaniya vrachey, Moskva.  
(RHEUMATIC FEVER) (VESTIBULAR APPARATUS--DISEASES) (BRAIN--DISEASES)

KORBECKI, M.; MIZIKOWSKA, E.; PIEKACZ, K.A.

Metabolism of tissue infected with viruses. I. Influence of influenza virus on glycolysis of HeLa cells. II. Influence of infection with influenza virus on catalase activity of HeLa cells and the utilization of proteins from the milk medium. Bul Ac Pol biol 8 no.4:137-142 '60. (EEAI 9:10)

1. Department of Microbiology, School of Medicine Warsaw.

Presented by E.Mikulaszek.

(TISSUES) (VIRUSES) (INFLUENZA) (GLYCOLYSIS)  
(CELLS) (CATALASE) (PRCTEINS) (MILK)

KORBECKI, Michal; MIZIKOWSKA, Ewa; PIEKACZ, Kazimierz

The metabolism of HeLa cells infected with influenza viruses. Arch. immun. ter. dosw. 9 no. 3:527-542 '61.

1. Department of Medical Microbiology, School of Medicine, Warsaw.

(INFLUENZA VIRUSES metab)

POHOMAREV, F.G.; YESIPOVA, L.G.; LAMTEVA, O.G.; MIZILINA, M.G.; FARBFCOVA,  
B. Sh.

Unsymmetrical organic  $\alpha$ -oxides. Some conversions of  $\alpha$ -oxides.  
Trudy VGU 49:9-14 '58. (MIRA 13:5)  
(Oxides)

110

PROCESSES AND PROPERTIES INDEX

**CA MIZIN, P. Ya.**

Preserving adhesives with antiseptics. P. Ya. Mizin and L. I. Voronina. *Mikrobiologiya* 17, 87-90(1948). Animal (bone) glue, dextrin glue, and flour paste were thoroughly mixed with an antiseptic, inoculated with *Sterigmatocystis* conidia or with soil, and watched 30 days for growth. For dextrin the antiseptics were ZnSO<sub>4</sub> (I), BaCl<sub>2</sub> (II), urtropine (III), and 2-naphthol (IV). Even at 5%; I, II and III were ineffective; IV was active at 0.01% and lethal at 0.18%. For bone glue CdSO<sub>4</sub> (V), CuSO<sub>4</sub> (VI), NaF and dicyandiamide (VII) were only partially effective up to 15%; IV was lethal at 1%. For flour paste the optimum concn. of IV is 0.37%. While V had some bacteriostatic effect, little or none was observed with VI, VII. and NaF. Julian F. Smith

JULIAN F. SMITH

430-51A METALLURGICAL LITERATURE CLASSIFICATION

GROUP	MATERIALS										PROCESSES AND PROPERTIES										GENERAL INDEX																			
	1	2	3	4	5	6	7	8	9	10	11	12	13	14	15	16	17	18	19	20	21	22	23	24	25	26	27	28	29	30	31	32	33	34	35	36	37	38	39	40

L 08576-67 (m) DS/FDN/WW SOURCE CODE: UR/0413/66/000/018/0083/0084  
ACC NR: AP6033481

INVENTOR: Khanin, I. M.; Smul'sov, A. S.; Brodskiy, E. V.; Mizin, V. A.

ORG: none

TITLE: Liquid atomizer. Class 24, No. 186066

SOURCE: Izobret prom obraz tov zn, no. 18, 1966, 83-84

TOPIC TAGS: fuel atomizer, fuel atomization, fuel injector

ABSTRACT: The proposed liquid atomizer consists of a housing containing a guide assembly inside it. In order to obtain uniform atomization of large volumes of liquids at low pressures, the nozzle guide assembly is provided with disks, placed one above another, and having offcenter openings with different diameters. A cylindrical partition is mounted under the upper disk (see Fig. 1). Orig. art. has: 1 figure. [WA No. 88]

UDC: 697.932.6

Card 1/2

L 08576-67  
ACC NR: AP6033481

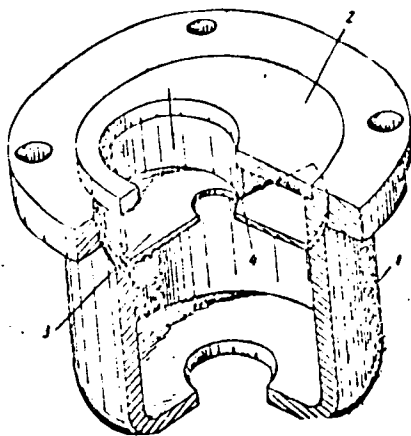


Fig. 1. Liquid atomizer  
1 - Housing; 2 - upper disk;  
3 - lower disk; 4 - partition.

SUB CODE: 21/ SUBM DATE: 15Apr65

Card 2/2

MIZIN, V.G., inzh.

Studying samples of "horse" incrustations from blast furnace  
tops and of slag hardened on ferrosilicon furnace walls.  
Stal' 24, no.1:46-49 Ja '64. (MIRA 17:2)

LUKANIN, A.A.; STRAKHOV, V.M.; KUPCHENKOV, V.V.; SEROV, G. I.; M. ...

Influence of the quality of the carbon reducing agent on the  
indices of 75<sup>th</sup> ferroalloy. Metall' 74 no.11: ...



MIZIN, V.G., inzh.; SAFONOV, B.P., inzh.; SEROV, G.V., inzh.; KURBANOV, V.V., inzh.; FISHMAN, B.I., inzh.; STRAKHOV, V.M., inzh. NIKITIN, Iu.K.

Production of 75% ferrosilicon with coke from a charge with an increased content of gas coal. Stal' 25 no.2:133-135  
p. 165. MIPA 12.1

1. Kuznetskiy zavod ferrosplavov i Kuznetskiy filial Vostoknitskogo nauchno-issledovatel'skogo uchebno-khimicheskogo instituta.

PETROKANSKIY, B.I.; ZVEREV, N.P., retsenzent; MIZIN, V.I.,  
retsenzent; PETROV, A.I., retsenzent; KRISTAL', L.I.,  
red.; MURAV'YEVA, N.D., tekhn. red.

[Statistical accounting and the work analysis of a rail-  
road division] Statisticheskii uchet i analiz raboty ot-  
deleniia dorogi. Moskva, Izd-vo "Transport," 1964. 218 p.  
(MIRA 17:3)



MIZIN, Yu.V.

Specific dispersion of a magnetic sector field in a particle accelerator  
of the beam. Maximal.  $\Delta x = f - 1$ .

L 41139-66 EWT(m) IJP(c)

ACC NR: AT6017512

(N)

SOURCE CODE: UR/2759/65/000/007/0086/0091

AUTHOR: Mizin, Yu. V.

37211

ORG: none

TITLE: Calculation of <sup>19</sup>shielding for linear electron accelerators <sup>19</sup>up to 10 Mev

SOURCE: Moscow. Inzhenerno-fizicheskiy Institut. Uskoriteli, no. 7, 1965, 86-91

TOPIC TAGS: particle accelerator component, radiation shielding, photoneutron, bremsstrahlung

ABSTRACT: Established formulas and graphs are used to calculate shielding in areas of high radiation. Two main components of radiation are discussed: bremsstrahlung and the neutron radiation originating in the photoproduction of neutrons. It is concluded that the shielding requirements for photoneutrons should be compared with the shielding necessary for the bremsstrahlung. If the two are equal, a half thickness of the shielding should be added to the thickness computed for either component. Orig. art. has: 4 tables, 3 figures, 4 formulas.

SUB CODE: 20.18/

SUBM DATE: none/

ORIG REF: 003/

OTH REF: 003

Card 1/1 hs

ACC NR: AT6017518

N)

SOURCE CODE: UR/2759/65/000/007/0184/0187

AUTHOR: Mizin, Yu. V.

ORG: none

TITLE: Focusing a charged beam in the horizontal plane of a homogeneous field in a sector magnet

SOURCE: Moscow. Inzhenerno-fizicheskiy institut. Uskoriteli, no. 7, 1965, 184-187

TOPIC TAGS: particle accelerator component, ion beam focusing

ABSTRACT: A new computational method is developed for determining the focal length of a sector magnet. The result agrees with an earlier paper published by W. Cross (*Rev. Sci. Inst.* 22, 717 (1951)). The image coordinates are obtained by a transformation of the coordinate system in which the object lies. The transformation is defined by the geometry of the sector field. The image distance from the exit plane of the sector magnet is varied relative to the aperture of the beam on the object side. The result is the focal length expressed in terms of the sector angle, the radius of curvature, the object-magnet distance, and the beam angles at the entrance and exit. The merit of this method is its simplicity. Orig. art. has: 1 figure, 10 formulas.

SUB CODE: 20/

SUBM DATE: none/

OTH REF: 001

Card 1/1 // 1/

MIZINA, Antonina Fedorovna; SHTERENGERTS, Aleksandr Yefimovich; DMITRIYEVA, N.M., red.; GABERLAND, M.I., tekhn. red.

[Experience in the treatment of children for the aftereffects of poliomyelitis at a climatological and balneological health resort]  
Opyt lecheniia detei s posledstviiami poliomielita na klimatobal'neologicheskom kurorte. Moskva, Gos. izd-vo med. lit-ry Medgiz, 1960.  
93 p. (MIRA 14:7)  
(POLIOMYELITIS) (ODESSA—HEALTH RESORTS, WATERING PLACES, ETC.)

SHTENGERTS, Aleksandr Yefimovich; MIZINA, Antonina Fedorovna

[Treatment of the sequelae of poliomyelitis] Ljuzanna  
naslidkiv poliomieliitu. Kyiv, Derzh.med. vyd-vo UkrSSR,  
1963. 18 p. (NIRA 10:10)



MIZINA, A.I., zasluzhenny vrach Mordovskoy ASSR (Moskva)

Prevention and first aid in eye burns and injuries. Fel'd. 1  
akush. 27 no.1:31-36 Ja '62. (MIRA 15:3)

(EYE--~~BURNS~~ AND SCALDS)  
(EYE--~~WOUNDS~~ AND INJURIES)

MIZINA, A.V.; VOINOVA, T.I. (Cand. of Med. Sci.); ZATSENINA, N.D.;

"Therapeutic Action of Terramycin in Cases of Trachoma,"

p. 385 Ministry of Health USSR Proceedings of the Second All-Union Conference on Antibiotics, 31 May - 7 June 1957. p. 40, Moscow, Medgiz, 1957.

VOINOVA, T.I., kand.med.nauk; ZATSEPINA, N.D.; MIZINA, A.V.

Treatment of trachoma with antibiotics. Sov.med. 21 no.9:35-37  
S '57. (MIRA 11:1)

1. Iz Nauchno-issledovatel'skogo instituta glavnykh bolezney imeni  
Gel'mgol'tsa (dir. - kandidat meditsinskikh nauk A.V.Roslavtsev)  
(TRACHOMA, ther.  
antibiotics)  
(ANTIBIOTICS, ther. use  
trachoma)

711.1A.11.11.1.  
VOINOVA, T.I., kandidat meditsinskikh nauk; ZATSEPINA, N.D., anuchnyy sotrudnik.;  
MIZINA, A.V., glavnyy okulist Mordovskoy ASSR.

Use of terramycin in trachoma. Vest. oft. 70 no.1:10-15 Ja-7 '57  
(MLRA 10:5)

1. Gosudarstvennyy nauchno-issledovatel'skiy institut glaznykh  
bolezney imeni Gel'mgol'tsa (dir.-kandidat meditsinskikh nauk A.V.  
Roslavtsev)

(OXYTETRACYCLINE, ther. use  
trachoma) (Rus)

(TRACHOMA, ther.  
oxytetracycline) (Rus)

DASHKOVSKAYA, Z.F.; REBRIN, S.P., nauchn. red.; MIZINA, I.N.,  
red.

[Particle board (tyrsolit) from the finest wood waste]  
Drevesnye plity (tyrsolit) iz naibolee melkikh otkhodov  
drevesiny. Moskva, Tsent. nauchno-issl. in-t informatsii  
i tekhniko-ekon. issledovaniy po lesnoi, tselliulozno-  
bumazhnoi, derevoobrabatывaiushchei promyshl. i lesnomu  
khoz., 1964. 31 p. (MIRA 17:12)

ZAGORUL'KIN, Vasilii Afanas'yevich; MIZINA, Nataliya Yevstigneyevna;  
NOZDRIN, Ivan Tikhonovich; NOVOSPASSKIY, V.V., red.; RAKOV,  
S.I., tekhn.red.

[Wages in construction industry] Kak oplachivaetsia trud  
rabochikh v stroitel'stve. Moskva, Izd-vo VTsSPS Profizdat,  
1958. 142 p. (MIRA 12:7)  
(Wages) (Construction industry)

MIZINCHIKOV, V., MITROFANOV, A., MARKOV, I.

Here's what collective farm chairmen of Ryazan Province say.  
Zdrav.Ros.Fed. 2 no.10:15-18 0' 58 (MIRA 11:10)

1. Predsedatel' kolkhoza imeni Lenina Sapozhkovskogo rayona (for Mizinchikov).
2. Predsedatel' kolkhoza Den' 9 yanvarya" Karablinskogo rayona (for Mitrofanov).
3. Predsedatel' kolkhoza "Prickskiy" (for Markov).

(RYAZAN PROVINCE--DAY NURSERIES)

MIZINIAK, Janina

Penicillin therapy of acrodermatitis atrophicans of Pick-Herzheimer.  
Polski tygod. lek. 12 no.20:756-760 13 May 57.

1. Z Kliniki Dermatologicznej Akademii Medycznej w Poznaniu: kierownik  
Kliniki: prof. dr A. Strassynski. Adres: Poznan, ul. Wojskowa 10.

(PENICILLIN, therapeutic use,  
acrodermatitis atrophicans (Pol))  
(ACRODERMATITIS ATROPHICANS, therapy,  
penicillin (Pol))

PIECHOCKI, Marian; MIZINIAK, Janina

Clinical essays with the treatment of alopecia areata with ACTH and cortisone. *Przegl.derm.*, Warsz.46 no.3:267-275 My-Je '59.

1. Z Kliniki Dermatologicznej A.M. w Poznaniu. Kierownik: prof. dr. A. Straszynski.

(ALOPECIA AREATA ther.)

(CORTICOTROPIN ther.)

(CORTISONE ther.)



VOSTRYAKOV, A.V., MIZINOV, I.V., NOSEVITIN, A.I., CHOURIAYEVA, A.A.

Climatic conditions of the archaeyl stage based on new lithological and micropaleobotanical investigations in the southern trans-Volga region. Dokl. AN SSSR 105 no.1:144-146 N '55.

(MLRA 9:3)

1. Institut geologicheskikh nauk Akademii nauk SSSR. Predstav-  
leno akademikom N.M. Strakhevym.  
(Volga Valley--Paleobotany) (Paleoclimatology)

170

AUTHORS: Mizinov, N.N., M.D.,  
of the Medical Academy,  
Yerukhimov, I.I.,  
M.D., Lieutenant-Colonel

TITLE: Working experience in  
and rendering first aid

PERIODICAL: Voenno-meditsina

ABSTRACT: The authors conducted an experiment for wounded soldiers, comparing with standard of time needed to be treated by 40%, while the percentage of the wounded times above the percentage suggested that the time increased in comparison

ASHBEL', S.I., prof.; MI'INOV, N.N., dotsent

United session of the Gorkiy Research Institutes. Sov.zdrav. 21  
no.7:45-47 '62. (MIRA 15:2)  
(INDUSTRIAL HYGIENE) (PUBLIC HEALTH)

DYADYUK, N.P.; NIKONOV, V.F.; MIZINOV, H.V.

Outlook for finding oil in the northern part of the Turgay trough.  
Trudy SNIIGGIMS no.27:54-62 '62. (MIRA 16:9)

1. Tyumenskoye territorial'noye geologicheskoye upravleniye.  
(Turgay gates—Petroleum geology)

MIZINOV, N.V.; KRAVCHENKO, L.M.; DYADYUK, N.F.; SHCHERBININ, V.S.

Prospects for finding oil and gas in the southwestern part of the West Siberian Plain in connection with the opening of the Lenin (Karabash) oil field. Neftogaz.geol. i geofiz. no.1:9-14, '65.

(MIRA 18:5)

1. Tyumenskaya kompleksnaya geologorazvedochnaya ekspeditsiya Tyumenskogo territorial'nogo geologicheskogo upravleniya.

MLZINOV, P.I.

Statistical characteristics of ocean currents. Trudy GOIN no. 75:66.  
76 '64. (MIRA 17:10)

TSURIKOV, Vladimir L'vovich; MIZINOV, P.I., kand. geogr. nauk,  
otv. red.; BERKGAUT, V.G., red.

[Use of radar in ice observations from ships] Ispol'zovanie radiolokatsii pri ledovykh nabljudeniakh s sudov. Moskva, Nauka, 1965. 73 p. (MIRA 18:8)

35990-46 FWT(1) W

ACC NR: AT6016542

(N)

ORIGIN: PR/2634/65/009/025/076/0022

AUTHOR: Mizinov, P. I.

ORG: None

TITLE: The statistical characteristics of sea currents under varying synoptic conditions

SOURCE: Moscow, Gosudarstvennyy okeanograficheskiy institut, Trudy, no. 35, 1965. Teoriya i metody raschetov techeniy i neperiodicheskikh kolebaniy urovnya i prilivov (Theory and methods of calculating currents and acyclic fluctuations of water level and tides), 76-83

TOPIC TAGS: ocean current, ocean dynamics, statistic analysis, weather chart, ocean tide

ABSTRACT: This article discusses the continued development of statistical investigations of overall sea currents in iceless seas carried out in 1967 (Trudy GOIN, no. 75, 1964). The processed data have been gathered at 16 floating stations over the 1949-1962 period. The author establishes the characteristics of the statistical laws and distribution parameters for various weather conditions and presents the results of the analysis of overall and quasi-periodic

MIZINOV, V.

Time determines labor productivity. Avt. transp. 41 no.8:1-4  
Ag '63. (MIRA 16:11)

1. Zamestitel' nachal'nika otдела truda i sarabotnov platy  
Ministerstva avtomobil'nogo transporta i shosseynykh dorog  
RSFSR.



MIZINOV, V.

Technical standardization of repair work in automobile transport organization. Avt.transp.32 no.11:4-5 N '54. (MLRA 8:3)

1. Nachal'nik otdela truda i zarplaty 1-go legkovogo taksomotor-nogo parka Moskvy.  
(Automobiles--Repairing)

DNEPROV, D.; MIZINOV, V.; KHRISANFOV, P.

Some problems in the technical operation of taxicabs. Avt.  
transp. 34 no.8:10-11 Ag '56. (MLRA 9:10)

(Taxicabs)

MIZINOV, V.

Reducing labor expenditures in automotive transportation.  
Sots.trud no.6:50-54 Je '57. (MLRA 10:7)  
(Transportation, Automotive)

MIZINOV, V.; ULITSKIY, P.

Reorganization of the wage structure of automotive transportation  
personnel through the utilization of hidden potentialities. Sots.  
trud. no.4:83-88 Ap '58. (MIRA 11:4)

(Transportation, Automotive) (Wages)