

ROMANIA / Microbiology. Human and Animal Pathogens. F
Bacteria of Intestinal Group.

Abs Jour: Ref Zhur-Biol., No 2, 1959. 5563.

Author : Schaeffler, S.; Mintzer, L.
Inst : Not given.
Title : Mechanism of Sulfathiazole Action Against
S. typhimurium.

Orig Pub: Studii si cercetari inframicrobiol., microbiol.
si parasitol., 1957, 8, No 2, 249-257.

Abstract: Activity of sulfathiazole (I) against Salmonella typhimurium decreased in the presence of methionine (II), glutamic acid, peptone, uracil, PABA, and an alkaline hydrolysate of folic acid; it remained unchanged in the presence of folic acid, thymonucleic acid (acid hydrolysate), hy-

Card 1/3

31

ROMANIA / Microbiology. Human and Animal Pathogens. F
Bacteria of Intestinal Group.

Abs Jour: Ref Zhur-Biol., No 2, 1959, 5563.

Abstract: poxanthine and guanine; it increased in the presence of adenine and xanthine. By successive increase in concentration of I in the presence of indicated antisulfamide metabolites (AM) the resistance of *S. typhimurium* to I increased 15-20 fold, which was not observed in the absence of AM. About 50% of the resistance was further preserved even without AM. In the authors' opinion, the development of resistance is connected with a gradual adaptation of the microorganisms to changing environmental conditions, with a subsequent selection, and is not the result of simple selection of pre-existing resistant variants. With the presence in the

Card 2/3

RUMANIA / Microbiology. Human and Animal Pathogens. F
Bacteria of Intestinal Group.

Abs Jour: Ref Zhur-Biol., No 2, 1959. 5563.

Abstract: medium of complexes II / I and II / adenine
/ I there developed methionine-dependent vari-
ants of S. typhimurium. -- From authors' sum-
mary.

Card 3/3

32

MINTZER, I.

SHEFLER, S.; MINTZER, L.

Effect of sulfathiazole on Salmonella typhimurium. Zhur.mikrobiol.
epid. i immun. 28 no.5:96-98 My '57. (MLRA 10:7)

1. Iz Instituta epidemiologii i mikrobiologii I.Kantakuzino
(Bukharest)

(SULFATHIAZOLE, eff.
on Salmonella typhimurium)
(SALMONELLA, eff. of drugs on
typhimurium, eff. of sulfathiazole)

MINTZER, Leonie

RINDASU, Georgeta

SOMER - continued

RUMANIA

Pharmacist

Laboratory of Pharmacognomy of the School of Pharmacy, Biological Products Section, of the "Dr. I. Cantacuzino" Institute and the Laboratory of Bacteriology, Bucharest.

Bucharest, Farmacia, Revista a Uniunii Societatilor de Stiinta Medicale din Republica Populara Romina, No 9, Vol 16, Sep 62, pp 535-540.

"The Antimicrobial Effect of Volatile Oil Extracted from Herba Equiseti Minoris."

Co-authors:

MINTZER, Leonie; SOMER, Lia

Lucy

2 of 2

ZILISTEANU, C.; OLINICI, N.; MINTZER, Leonie

Influence of bacteriophages on the antibiotic sensitivity of certain strains of Escherichia coli and Klebsiella. Study "in vitro". Preliminary note. Arch. roum. path. exp. microbiol. 21 no.2:301-307 '62.

1. Travail de l'Institut "Dr. I. Cantuzino".
(ESCHERICHIA COLI) (COLIPHAGES) (KLEBSIELLA)
(BACTERIOPHAGE) (ANTIBIOTICS)

OLINICI, N.; ~~MINTZER-MORGENSTERN~~, Leonie; LESCINSCHI, Sofia; BUSILA, Sofia

Preparation of anti-Vi agglutinating serum with young bacteria.
Arch. roum path. exp. microbiol. 23 no.3:543-546 S'63

1. Travail de l'Institut "Dr. I. Cantacuzino"; Service des
Produits biologiques, Bucarest.

STAMATIN, N.; HADARAG, Elena; MINTZER-MORGENSTERN, Leonie

Particular sensitivity to heat of some *Cerco-anthraxis-mycoides*
phage strains. Arch. roum. path. exp. microbiol. 23 no. 3:637-642
S'63

1. Travail de la Faculte de Medicine Veterinaire et du Centre
National de Phages-Reference, Bucarest.

ACC NR: AT7003293

SOURCE CODE: UR/3152/66/000/014/0104/0110

AUTHOR: Minukhin, V. B.

ORG: none

TITLE: Intermediate stage in recording for prospecting geophysics

SOURCE: Razvedochnaya geofizika, no. 14, 1966, 104-110

TOPIC TAGS: geophysics, telemetry system, geophysical instrument, magnetic recording, prospecting geophysics

ABSTRACT: The possibilities were investigated for intermediate recording of prospecting geophysics data using an analog form magnetic recording with frequency modulation, pulse width modulation and three bore-hole multichannel telemetry systems of electric logging on a single cable. The telemetry systems mentioned were: frequency modulation telemetric system developed by A. G. Bariminskiy, the "Azineftekhim" telemetric system, and the OKS-VIM (single logging cable with PWM) developed by O. V. Rudnev. The recording was made on a single-channel magnetic recorder with a 30 cps to 30 Kc transmission band, based on the MEZ-15

Card 1/2

ACC NR: AT7003293

radiobroadcasting magnetophone. It was found that the conservation of data of geophysical investigations of boreholes can be made on a magnetic recorder in an analog form with ordinary magnetophone-type equipment. The accuracy of the above-mentioned telemetry systems proved satisfactory. The method used was found to be more practical with a large number of channels and a moderate dynamic measurement range. [GC]

SUB CODE: 14, 08/SUBM DATE: none/ORIG REF: 006/OTH REF: 001/

Card 2/2

ACC NR: AR6018986

SOURCE CODE: UR/0271/66/000/002/B012/B012

AUTHOR: Minullin, R. G.

TITLE: Electronic system for the evaluation of graphic functions

SOURCE: Ref. zh. Avtomat telemekh i vychisl tekhn, Abs. 2B86

REF SOURCE: Sb. Meteorn. rasprostr. radiovoln., no. 2. Kazan', Kazansk. un-t, 1964, 141-145

TOPIC TAGS: photoelectric method, photoelectric tracking, graphic data processing, meteor tracking, meteor detection, radar meteor observation

TRANSLATION: An FEP photoelectric converter for converting graphic records of processes into corresponding electric voltages is described. The voltages can be subsequently fed into various analyzers and, through a small interface, into a VM punch. The FEP is designed on the basis of sweep signal and is intended for processing meteor observations. The recordings may be made on a continuously moving 35 mm movie film, when the meteor signals are recorded lengthwise or in frames, as well as transposed on photographic film, photographic plates, or tracing paper with dimensions not exceeding 80 x 80 mm. The FEP was designed for automatic processing of meteor radarecho observation. 3 figures. V. L.

SUB CODE: 09

UDC: 681.142.644.6

Card 1/1

CONDREA, P.; FRANCHE, M.; VITA, A.; TEODOROVICI, G.; DUCA, E.; DRAGOMIR, C.;
LASCU, N.; MINU-POPOVICI, V.; SEGAL, I.; ENB, M.

Antitularemia living vaccine in therapy of tularemia. Rev. igiena
microb. epidem., Bucur. No.2:27-36 Apr-June 54.

(TULAREMIA, therapy
living vaccine, results)
(VACCINES AND VACCINATION, ther. use
tularemia)

MINNEMIK, R.L.

Issledovanie vinta s izmenimym v koleto stepen. Moskva, 1964. 41 p., illus.,
diags, (Izv. I. Trudy, no. 195)

Summary in English.

Bibliography: p. 40

Title tr.: Controllable pitch propeller investigation.

QA711.43 no. 195

SC: Aeronautical Sciences and Aviation in the Soviet Union, Library of Congress,
1955

MINIKHIN, B.I.

Raschet vinta po otноситel'noi teorii. Moskva, 1937. 67 s., tables, diagrs.
(TSAGI. Trudy, no 431)

Bibliography: p. 67.

Title tr.: Propeller design in accordance with the theory of equivalence.

CA 41.869 no 431

SO: Aeronautical Sciences and Aviation in the Soviet Union, Library of Congress,
1955

MINUKHIN, B.L. (Rybinak)

Solution method for Diophantine equations. Mat. pros. no. 3:
157-165 '58. (MIRA 11:3)
(Diophantine analysis)

MEMORANDUM

To : [Illegible]

From : [Illegible]

Subject : [Illegible]

GURKIN, Georgiy Antonovich, inzh.; MINUKHIN, Viktor Savel'yevich,
tekhnik; KAMINSKIY, L.N., red.; LIMANOVA, M.I., tekhn.
red.

[Establishing norms for tractor work] Normirovanie traktor-
nykh rabot. Khar'kov, Khar'kovskoe knizh. izd-vo, 1961. 67 p.
(MIRA 16:6)

(Tractors) (Agriculture--Production standards)

MINUKHIN, Ya.

New standard plans for farm buildings. Sel'.stroitel'noye :11 J1 '56.
(MLRA 9:9)

1. Nachal'nik otdela tipovogo proyektirovaniya "Latgiprosel'streya".
(Farm buildings)

MINUKHIN, Ye.

Standard plans for cultural and public buildings. Sel'.strel.11 no.8:
26-27 Ag '56. (MLBA 9:10)

1.Nachal'nik etdela tipevege proyektirovaniya Latgipressel'stroya.
(Architecture--Designs and plans)

MINUKHIN, Ye.

Standard projects for houses. Sel'.stroitel'no-stroitel'no no.11:28-29 N '56.
(MIRA 10:1)

1. Nachal'nik otдела tipovogo proyektirovaniya "Latgiprosel'strova."
(Architecture, Domestic--Designs and plans)

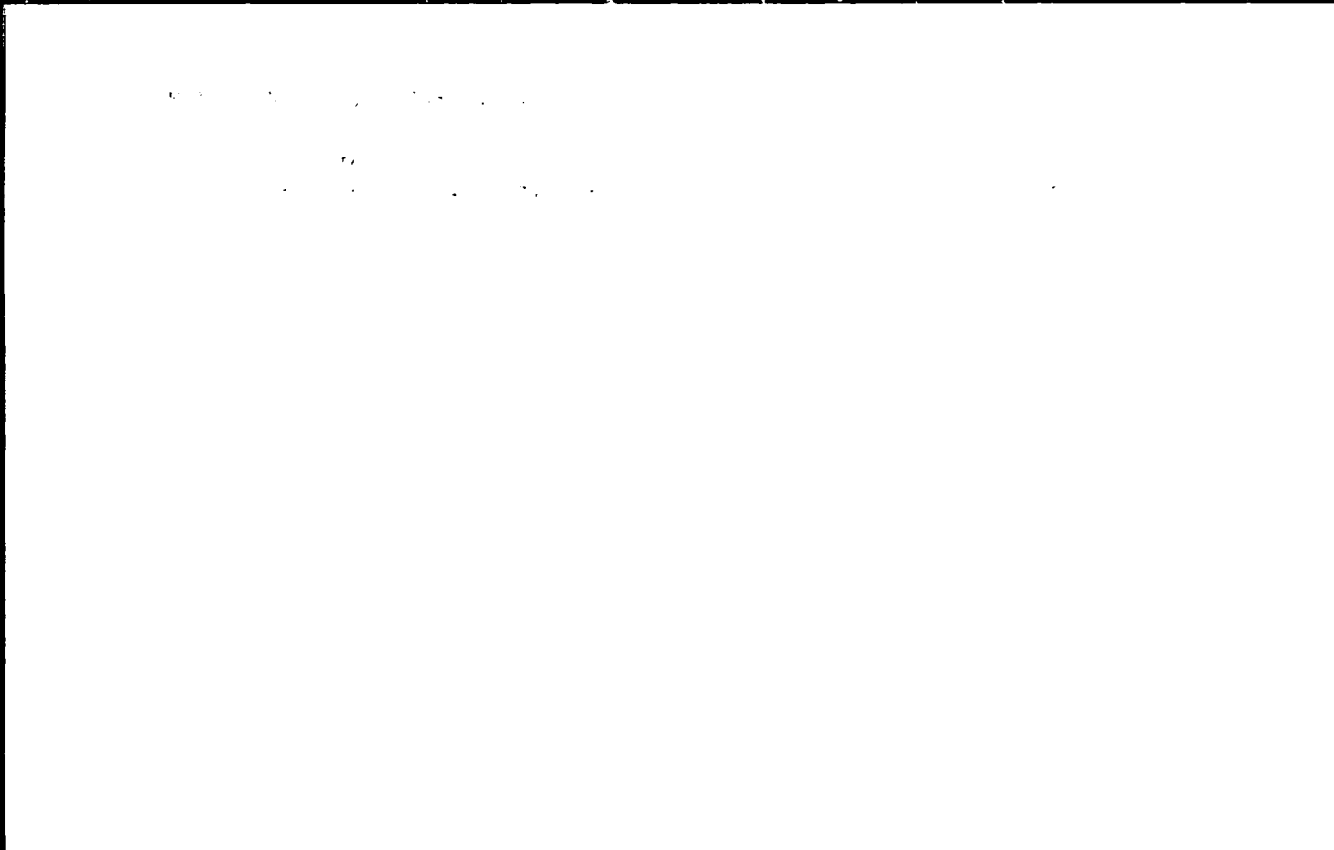
TAYTS, N.Yu., doktor tekhn. nauk; KLEYNER, M.K., inzh.; KAVALISHIN, Ye.K., inzh.; KALUGIN, Ya.P., inzh.; FALILEYEV, I.I., inzh.; KAGAN, N.I., inzh. [deceased]; Prinsipialni uchastiye: POPOV, V.N. inzh.; CHUYKOV, A.A., inzh.; MINUKHINA, L.N., inzh.; KHATSAREVICH, V.R., inzh.; TOLMACHEVA, I.A., inzh.; BAZHENOVA, V.N., inzh.

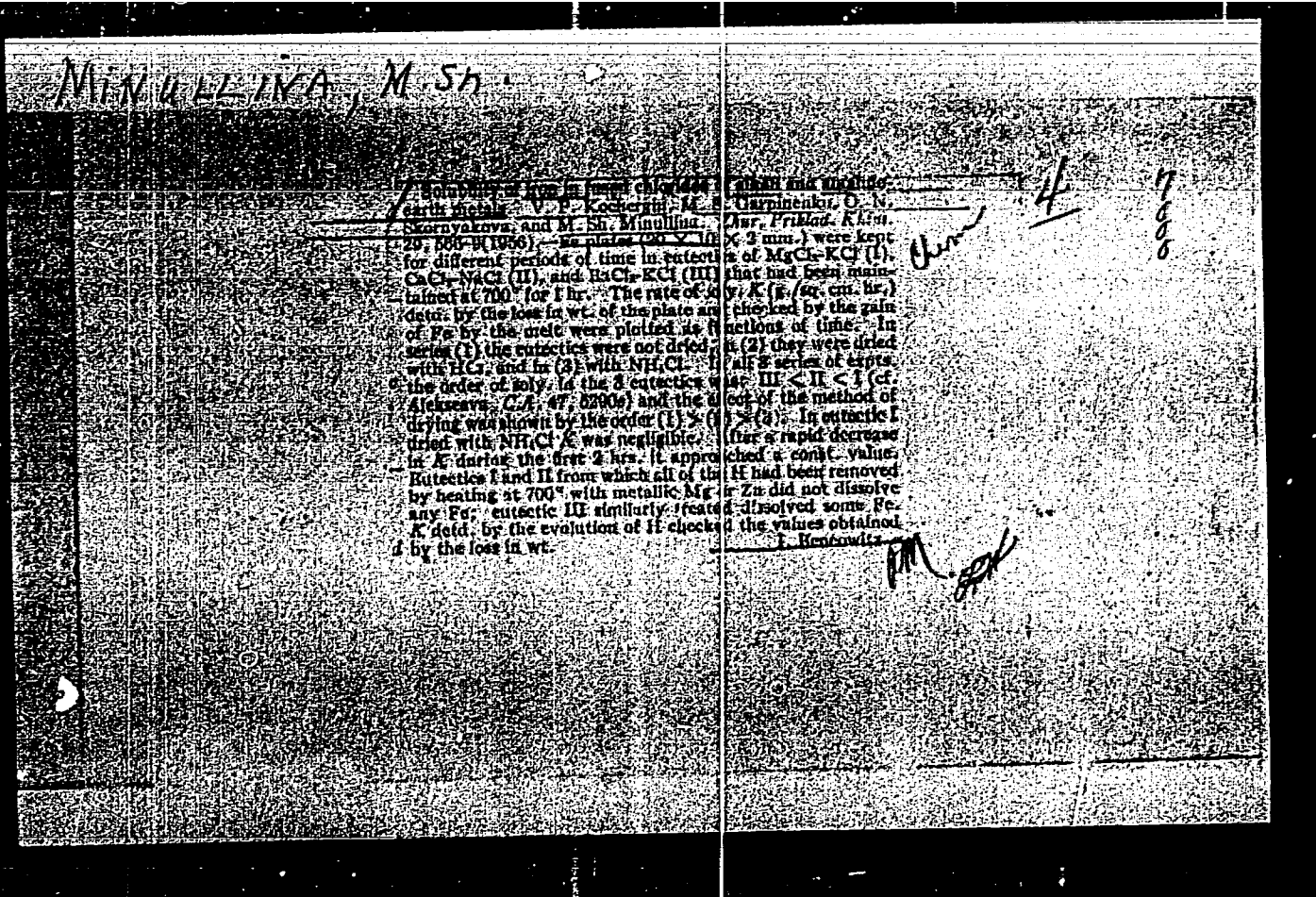
Technological and thermodynamic characteristics of strip heating for the continuous furnace welding of pipes. MIRA (1964) Stal'24 no.8:746-750 Ag '64.

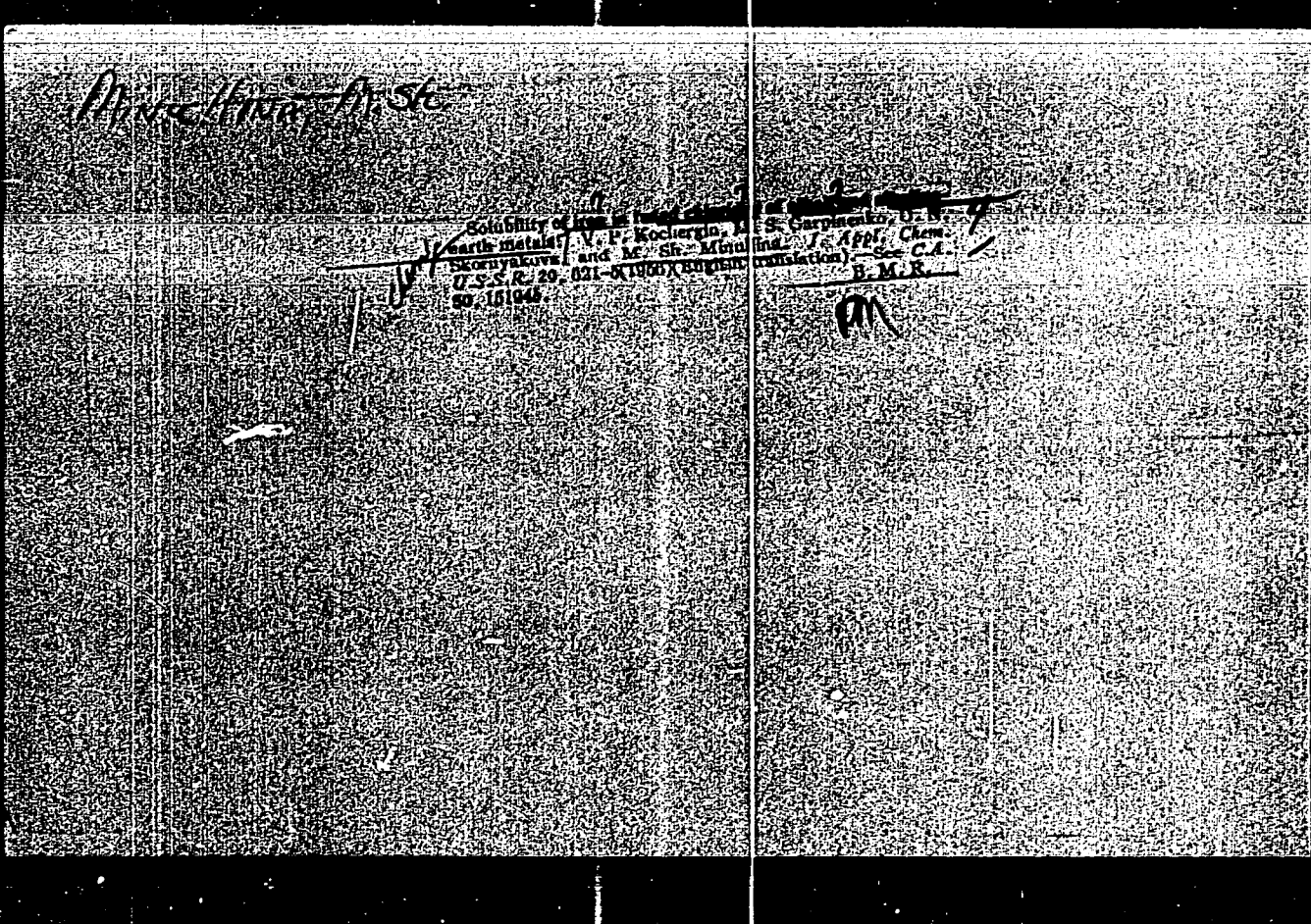
1. Ukrainskiy nauchno-issledovatel'skiy trubnyy institut, Ural'skiy nauchno-issledovatel'skiy trubnyy institut i Chelyabinskiy truboprokatnyy zavod.

MINULESCU, M., ing.; LITA, N., ing.; GEORGESCU, B., ing.

Urban solution of access to the city of Ploiesti on the national highway Bucuresti-Brasov. Rev transport. 9 no.4:151-156 Ap '62.







MINUSKIN, V. Z.

USSR/Morphology of Man and Animals (Normal and Pathologic).
The Musculature.

S-5

Abs Jour : Ref Zhur - Biol., No 4, 1958, 17112

Author : Minuskin, V.Z.

Inst : -

Title : The Hilus of the Hip Muscles in Embryonal and Early
Childhood Age.

Orig Pub : Sb. nauch. tr. Krasnoyar. med. in-ta, 1955, No 4, 43-45.

Abstract : By means of preparations and roentgenography a study was
made on 40 extremities of children and fetuses from the
6th month of intrauterine life on, of the sources of
blood supply and innervation of the muscles as well as the
topography of sites where arteries and nerves enter the
muscles. Two basic forms of entry of arteries and nerves
into the muscles were established. The segmental form is
characterized by a successive entry of arterial and nerve
branches along the entire length of the muscle (posterior

Card 1/2

MINUT, S.B., dotsent. redaktor; UVAROVA, A.F., tekhnicheskii redaktor

[Steam engines; a collection of articles] Parovye dvigateli;
sbornik statei. Moskva, Gos.nauchno-tekhn. izd-vo mashinostroit.
lit-ry, 1955. 108 p.

(MLRA 9:2)

(Steam engines)

MINUT, S.B., dotsent.

Plotting theoretical volume diagrams for quadruple-expansion steam engines. [Trudy] MVTU no.56:38-63 '55. (MLRA 9:6)
(Steam engines--Construction)

MALYSHEVA, Z.S., st. prepod.; GLUKHOV, N.A., kand. tekhn. nauk, dots.;
MINUT, S.B., dots.; PETROV, G.N., kand. tekhn. nauk, dots.;
RESHETOV, L.N., doktor tekhn. nauk, prof., red.;

[Theory of mechanisms and machines] Teoriia mekhanizmov i
mashin; kurs lektsii [By] Z.S. Malysheva i dr. Pod red. L.N.
Reshetova. Moskva, No. 4. [Dynamics of mechanisms and machines]
Dinamika mekhanizmov i mashin. 1959. 91 p. (MIRA 16:7)

1. Moscow. Moskovskoye vyssheye tekhnicheskoye uchilishche.
(Mechanisms) (Machinery, Kinematics of)

MINUT, S.B., dotsent, kand.tekhn.nauk

Analytic investigation of the motion of an arbitrarily selected point on the connecting rod of a crank mechanism. Izv.vys.ucheb. zav.; mashinostr. no.7:9-30 '59. (MIRA 13:6)

1. Moskovskoye vyssheye tekhnicheskoye uchilishche imeni Baumana.
(Crank and crankshafts)
(Mechanical movements)

POPOV, S.A., kand. tekhn. nauk, dots.; LUKICHEV, D.M., kand. tekhn. nauk, dots.; SKVORTSCVA, N.A., kand. tekhn.nauk, dots.; NIKONOROV, V.A., kand. tekhn. nauk, dots.; MINUT, S.B., dots.; RESHETOV, L.N., doktor tekhn. nauk, prof.; NIKOLAYEVSKIY, Ye.V., assist.; MASTRYUKOVA, A.S., kand. tekhn. nauk;

[Theory of mechanisms] Teoriia mekhanizmov; kurs lektsii.
[By] S.A.Popov i dr. Pod red. L.N.Reshetova. Moskva,
No.5. 1962. 123 p. (MIRA 16:7)

1. Moscow. Moskovskoye vyssheye tekhnicheskoye uchilishche.
(Mechanisms)

MITITELU, C., ing.; MINUT, V., ing.; CRZA, N., ing.

Output obtained at the plant for fiber recovery from the
waste water of the Reconstructia Pulp and Paper Mill.
Cel hirtie 12 no. 12: 407-417 D '63.

MINUT-SOROKHTINA, O. P.

ca

112

Excretion of histamine on excitation of (frog) skin
V. M. Borovskaya and O. P. Minut-Sorokhtina. *Arch
Sci Biol* (U. S. S. R.) 50, No 3, 91-96 (English), (1940)
(1940) On excitation the perfusate of the skin contained
a substance thought to be histamine. T. Leamy

ASD-11A METALLURGICAL LITERATURE CLASSIFICATION

MINUT-SUBMARINA, 1. 1.

Exercise of the...
and...
...

USSR/Medicine - Esarine
Medicine - Nervous System

Jul/Aug 49

"Some Peculiarities of Restoring the Function of Damaged Nerves With Esarine," O. P. Minut-Serobhtina, Ya. A. Obez'yanov, Chair of Physiol, Khabarovsk Med Inst, 8 pp

"Fisiol Zhur SSSR" Vol XXV, No 4

Recently neurologists have started using a substance, which has anticholinesterase action, to restore the function of damaged nerves. Presents about 20 case histories where natural esarine was used successfully in restoring the function of various damaged nerves. States that

64/49769

USSR/Medicine - Esarine (Contd)

Jul/Aug 49

restoration of the vasomotor functions is the first indication of success of esarine treatment. Submitted 10 Apr 47.

64/49769

MINUT-SEROBHTINA, O. P.

PA 64/49769

MINUT-SOROKHTINA, O. P.

"Part Played by the Thermoreceptors of Veins in the Regulation of Heat Exchange." Dr Biol Sci, Leningrad State U, Khavrov Medical Inst, Leningrad, 1953. (RZhbiol, No 8, Dec 54)

Survey of Scientific and Technical Dissertations Defended at USSR Higher Educational Institutions (12)

SO: Sum. No. 556, 24 Jun 55

SOROKHTIN, G.N.; MINUT-SOROKHTINA, O.P.; TURBINA, L.V.

Effect of Schisandra chinensis and ginseng root extract on cerebral cortical rhythms. Zhur. vys. nerv. delat. 5 no.5:747-755 S-0. '55. (MLRA 9:1)

1. Kafedra fiziologii Khabarovskogo meditsinskogo instituta.
(PLANTS,

Schisandra chinensis, eff. on EEG.)

(CONDIMENTS, effects,
ginseng, on EEG.)

(ELECTROENCEPHALOGRAPHY, effect of drugs on,
ginseng & Schisandra chinensis)

MINUT-SOROKHTINA, Ol'ga Pavlovna; SIROTIN, B.S.

[Physiological significance of receptors of the veins] Fiziologicheskoe znachenie retseptorov ven. Moskva, Medgiz, 1957.
227 p.

(NERVOUS SYSTEM, VASODILATOR)

(MIRA 12:1)

USSR/Pharmacology and Toxicology Abstracts.

V

Abs Jour: Ref Zhur-Biol., No 12, 1958, 38:57

Author : Sorokhtin, G.N ; Minut-Sorokhtina, O.F.; Turolina, L.V.

Inst : -

Title : Effect of Ginseng upon the Adaptation of the Cerebral Cortex to Rhythms.

Orig Pub: V. sb. Materialy k izuch. zhenishenya i lianushka
Vyp. 3, L., 1958, 133-140

Abstract. In experiments conducted on rabbits with implanted cranial electrodes, electroencephalograms were registered with light flashes at a frequency of 2-15 herz/sec. The rabbit was then administered 1 ml of a ginseng extract prepared with 20% alcohol and diluted with water 1:1. The administration of ginseng,

Card . 1/2

USDA, Pharmacology and Toxicology - [unclear]

Pub. Jour. : [unclear] - Biol., 1964, 10, 1, 146-154

Author : [unclear], G.H., [unclear], J.F.

Inst. : [unclear] of Physiology, [unclear] Institute

Title : [unclear] of SCHIZOPHRENIA: [unclear] the [unclear] system according to the work of the [unclear] the G.I. [unclear] Institute.

Pub. Jour. : [unclear] 1964, 10, 1, 146-154.

Abstract : [unclear] Abstract.

Card 1/1

SOROKHTIN, G.N.; MINUT-SOROKHTINA, O.P.; TEMPER, Yu.B.

Nature of spinal shock. Report No.3: State of the afferent neurons
in spinal shock. *Biul. eksp. biol. i med.* 48 no.9:16-20 S '59.

(MIRA 13:1)

1. Iz kafedry fiziologii (zaveduyushchiy - prof. G.N. Sorokhtin)
Khabarovskogo meditsinskogo instituta. Predstavlena deystvitel'ny
chlenom AMN SSSR V.N. Chernigovskim.
(SPINAL CORD physiol.)

MINUT-SOROKHTINA, O.P.; SOROKHTIN, G.N.; TEMPER, Yu.B.

Atonia of the respiratory center in frog. Fiziol. zhur. 46 no.3:299-304 Mr '60. (MIRA 14:7)

1. From the Chair of Physiology, Medical Institute, Khabarovsk.
(RESPIRATION) (VAGUS NERVE—SURGERY)
(ELECTROPHYSIOLOGY)

SOROKHTIN, G.N.; MINUT-SOROKHTINA, O.P.; TEMER, Yu.B.

Problem of the nature of spinal shock. Report No.1: Atony of the motor neuron in spinal shock. Biul. eksp. biol. i med. 49 no.2:65-67 F '60. (MI:A 14:5)

1. Iz kafedry fiziologii (zav. - prof. G.N.Sorokhtin) Khabarovskogo meditsinskogo instituta. Predstavlena deystvitel'nym chlenom AMN SSSR V.V.Parinym.

(SPINAL CORD)

MINUT-SOROKHTINA, O.P.; SOROKHTIN, G.M.; TEMPEP, Yu.B.

Nature of narcotic sleep. Fiziol.zhur. 48 no.6:638-645 Je '67.

(MFA 15:8)

1. From the Department of Physiology, Medical Institute, Khabarovsk.
(ANESTHESIA)

MINUT-SOROKHTINA, O.P.; SOROKHTIN, G.N.; TEMER, Yu.B.

Polarization potential of the brain during dying. Fizio. zhur.
4P no.8:893-898 Ag'62. (MIRA 16:6)

1. From the Department of Physiology, Medical Institute,
Khabarovsk.

(ELECTROENCEPHALOGRAPHY) (DEATH)

MINUTKO, M.A., uchastkovyy vrach

Results of the work of a district physician. Spets. zhurn. Kursk.
gos. med. inst. no.16:58-63 1962. KLA 1111

1. Iz kafedry organizatsii zaravoozhraeniya (zav. - dotsent
A.G. Kurcova) Kurskogo gosudarstvennogo meditsinskogo instituta
i Kurskoy gorodskoy bol'nitsy No. 3 (glavnyy vrach - A.A. Verina).

MINYA, Istvan

New locomotive with a gas turbine in the Soviet Union. Car number
gep 6 no.6:177 '59.

1. Moszkvai Kizkereske Toim. Ir-nyeltoje.

BEZUGLYY, P.A. [Bezuhlyi, P.A.]; BURMA, N.G. [Burma, M.H.]; BUTENKO, T.F.;
MINYAFAYEV, R.Kh. [Miniafayev, R.Kh.]

Determining the elastic constants of solid ammonia in the
temperature range of 180° - 27°K. Ukr. fiz. zhur. 10 no. 11:
1251-1257 N '65. (MIRA 18:12)

1. Fiziko-tekhnicheskii institut nizkikh temperatur AN UkrSSR,
Khar'kov.

TAUBE, A.M., prof. [deceased]; BIR, Sh.S.; MIN'YAR-BELORUCHEV, R.K.;
OSTAPENKO, V.P.; KOLESNIKOV, P.M., red.; DANILOVA, Z.S.,
red.-leksikograf; SOLOMONIK, R.L., tekhn.red.

[French-Russian military dictionary] Frantsuzsko-russkii
voennyi slovar'. Izd.4., prosmotrennoe i dop. Sh.S.Birom,
R.K.Min'iar-Beloruhevym i V.P.Ostapenko. Moskva, Voen.
izd-vo M-va obor.SSSR, 1960. 824 p. (MIRA 14:2)

(French language--Dictionaries--Russian)

(Military art and science--Dictionaries)

AYVETSI, L.P.; YAKOVLEV, B.M.; MARYA, A.Ye.; KUZNETSOV, A.

Protective effect of a positive charge in silencing of transcription
of the infectious DNA of λ - ϕ bacteriophage. Dokl. Akad. Nauk
S.S.S.R. 249:37-39, Apr 1980. 2 refs.

1. Institut radiatsionoy i fiziko-khimicheskoy biologii AN
S.S.S.R. Institut epidemiologii i mikrobiologii, Moskva, S.S.S.R.
2. Institut biologicheskoy akademii V.A. Kuznetsov.

ZA' IL GEL'SKIY, G.B.; BORISOVA, N.F.; MINCHENKOVA, L.Ye.; MINYAT, E.Ye.

Interaction of acridine orange with UV-irradiated DNA. *Biokhimiya*
20 no.3:508-517 Myashe '64. (MIRA 18:4)

1. Institut radiatsionnoy i fiziko-khimicheskoy biologii AN SSSR, Moskva.

[The text in this block is extremely faint and illegible, appearing as a series of light gray marks on a white background.]

MINYATOV, A. V.

Heating of an endless cylinder enclosed in a shell. Zhur. tekhn.
fiz. 30 no.6:611-615 Je '60. (MIRA 13:8)
(Heat--Conduction)

08967

S/179/61/000/003/006/016

E031/1435

Author: Malyukov, A.V. (Moscow)

Title: Calculation of the base pressure on a body of rotation in a supersonic flow

PERIODICAL: Akademiya nauk SSSR, Izvestiya, Otdeleniye tekhnicheskikh nauk, Mekhanika i mashinostroyeniye, 1961, No.3, pp.32-39

TEXT: The flow can be divided into six zones:
0 - the flow ahead of the base up to the first characteristic from the base;
1 - the expansion flow round the edge of the base;
2 - the region of mixing at constant static pressure in the compressible boundary layer on the edge of the stagnation zone;
3 - isentropic flow in the external stream adjacent to the region of mixing;
4 - the region of increased pressure adjacent to the end of the stagnation zone;
5 - the stagnation zone.
It is assumed that in regions 1 and 3 the fluid is ideal and compressible so that the parameters can be determined by the method of characteristics. It is further assumed that narrowing of the flow at the end of the stagnation zone takes place isentropically. From the boundary layer equations, the pressure across the region
Cont. 1/3 X

27917
S/179/61/000/003/006/016
E031/E935

The calculation of the base

of mixing is constant. Two systems of coordinates are introduced: the XY system coinciding with the inner boundary of the conjugate parts of external flow, and the xy system in the real boundary layer displaced from the XY system by a small quantity $y^*(x)$ in the direction of the y axis. This displacement is determined by applying the law of conservation of momentum at two sections of the flow, one of these being at the beginning of the region of mixing and the other an arbitrary distance x from the first, and eliminating the density. The stream line in the boundary layer separating the fluid in the stagnation zone from that in the external flow can be determined by equating the rates of flow at the two sections. The velocity profile in the region of mixing can be determined from the equations of motion and

obtained by applying Mangler's transformation, which reduces the equations to a form corresponding to that for a plane boundary layer. After linearization and with the aid of the assumption that the effect of the initial velocity profile in the boundary layer in the region of mixing can be ignored, the solution of the equation of motion can easily be expressed in terms of the error function. The basic difficulty in analysing the flow in the region where the

Card 2/3

28967

S/179/61/000/003/006/016
E031/F435

... of the base ...

... is that of determining the angle through which ... turns. This could be determined by knowing the ... of the wake and it is argued that the flow will ... is half that of the base. Knowing the ... in the region of mixing, the streamline can be ... which separates the fluid whose kinetic energy is ... into the region of increased pressure from the fluid whose kinetic energy is insufficient to overcome the ... The steps in using the results derived for ... base pressure are given. A simplification either ... of calculation or to obtain an approximate ... indicated briefly. There are 3 figures and 10 references, 3 Soviet and 7 non Soviet. The four most recent references in English-language publications read as follows:
 Chapman D.R., Kushn D.M., Larson H.K. Rep. NACA No.1356;
 Gadi G.E., Holter D.W., Regan J.D. ARC Current Paper No.271;
 Chow W.L. J. Amer. Space S. 1, 1959, 26, No. 3, 176-180.
 Chapman D.R. Rep. NACA, 1956, No.1051.

SUBMITTED November 10, 1960

...

BARANOV, Yu.I.; KOSTOUSOV, N.P.; MINYAYEV, A.A.; SHIROKOV, S.P.

Magnetic device for handling billets. Metallurg 8 no.6:33
Je '63. (MIRA 10:7)

1. Severskiy metallurgicheskiy zavod.
(Rolling (Metalwork)) (Materials handling)

L 40313-6/ (m)/P(w)/P(m)(f)/P(v)/T-2/P(k) 1H/c1

ACC NR: AR6019520 SOURCE CODE: UR/0285/66/000/002/0013/0013

AUTHOR: Antonovich, A. V.; Minyaylo, A. F.

TITLE: Simulation of thermal fields in experimental investigations of cooling systems of gas-turbine cylinders

SOURCE: Ref zh. Turbostr, Abs. 2.49.85

REF SOURCE: Vestn. Kiyevsk, politekhn. in-ta. Ser. teploenerg., no. 2, 1965, 3-19

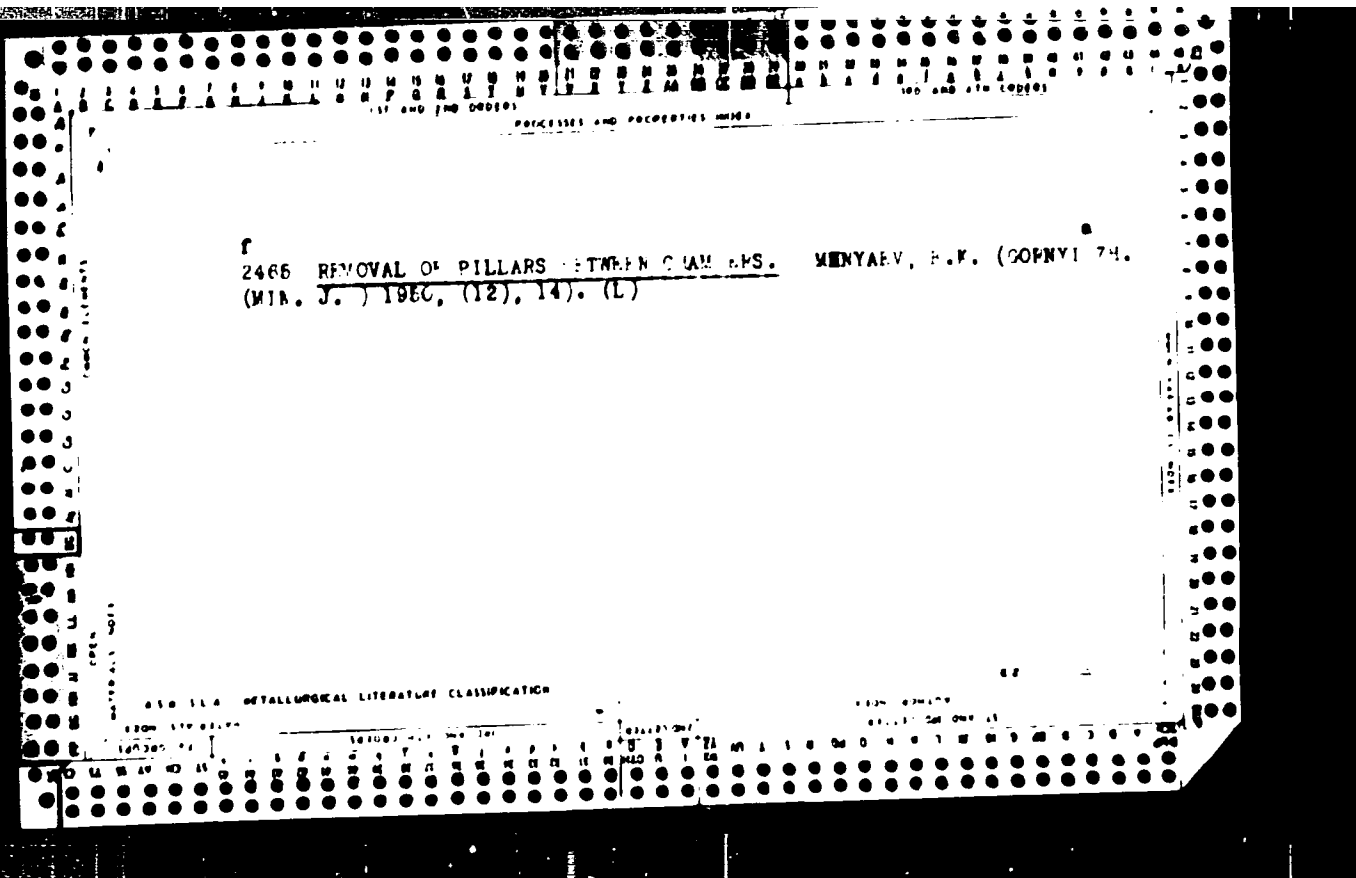
TOPIC TAGS: gas turbine engine, engine cooling system, temperature simulation, thermal field

ABSTRACT: A method and conditions for temperature simulation are described for purposes of studying air-cooled systems of gas-turbine cylinders. [Translation of abstract] [KP]

SUB CODE: 21,26/ SUBM DATE: none

Card 1/1/1/1

UDC: 621.438.001.5



MINYAEV, B. K.

Mining Engineering

Experiment in applying the subdrift caving system in Lovikh II mine. Gor.zhur. no. 3, 1952.

Monthly List of Russian Accessions, Library of Congress, April 1952. Unclassified.

L 23021-66 EWT(m)/EWF(g)/E WW/JW/EM
ACC NR: AP6009654 SOURCE CODE: UF/0181/66/008/003/0744/0749

AUTHORS: Bezuglyy, P. A.; Burma, N. G.; Minyafayev, R. Kh.

57
56
B

ORG: Physicotechnical Institute of Low Temperatures, AN UkrSSR,
Khar'kov (Fiziko-tekhnicheskii Institut nizkikh temperatur AN UkrSSR)

TITLE: Elastic constants of polycrystalline methane in the tempera-
ture interval 14.4 — 77K

SCOURCE: Fizika tverdogo tela, v. 8, no. 3, 1966, 744-749

TOPIC TAGS: methane, polycrystal, temperature dependence, elastic
modulus, sound propagation, acoustic speed

ABSTRACT: In view of the lack of experimental data on elastic proper-
ties of solidified gases, the authors have measured the temperature
variation of the elastic constants of solidified methane, using for
this purpose a dynamic method based on the measurement of the propa-
gation velocity of longitudinal and transverse ultrasound waves. The
test procedure was a modification of a pulsed method first described
by N. I. Brazhnikov (Pribory dlya izmereniya akusticheskikh i

2

Card 1/3

L 23021-66

ACC NR: AP6009654

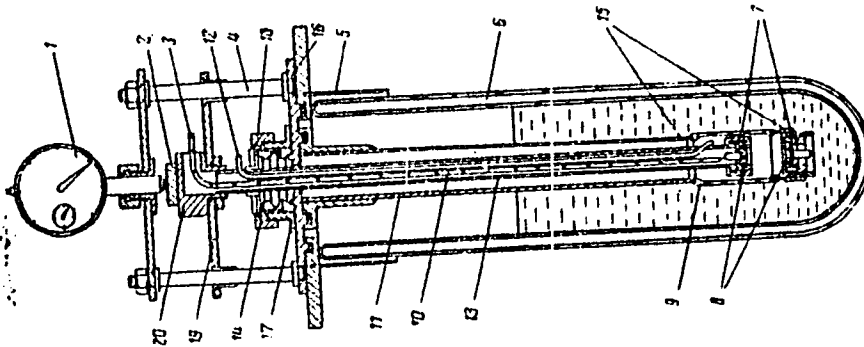


Fig. 1. Acoustic measuring line.
 1 -- Indicator, 2 -- Johansson block, 3 -- lead, 4 -- guide,
 5 -- cryostat cover, 6 -- glass vessel, 7 -- quartz holder, 8 --
 piezoelectric pickup, 9 -- glass cylinder, 10 -- central conductor
 of coaxial line, 11 -- tube, 12 -- German-silver tube, 13 --
 stainless-steel rod, 14 -- bellows, 15 -- cover junction, 16 --
 flange, 17 -- threaded cylinder, 18 -- nut, 19 -- traverse, 20 --
 anvil.

Card 2/3

L 23021-56

ACC NR: AP6009654

opticheskikh velichin, No. 4, 1961) employed by the authors earlier to determine the elastic moduli of polycrystalline ammonia (UFZh v. 10, 1251, 1965). A feature of this modified pulse method is the use of an additional acoustic line filled with a standard liquid, in which the propagation velocity of sound is known with sufficiently high accuracy (Fig. 1). The measurements were made at 1 Mcs and in two temperature intervals, 77.4 -- 63.5 and 21.2 -- 14.4K. The tests yielded the adiabatic compressibility and the Poisson coefficient. The measurement technique and the sample preparation procedure are described in detail. In the 21 -- 77K range the compressibility increases with increasing temperature, from 0.48 to $0.9 \times 10^{-11} \text{ cm}^2/\text{dyne}$; the Poisson coefficient is 0.30. A phase transition is observed at 20.4K. The Debye temperatures of the high-temperature and low-temperature phases are estimated to be 120 and 137K, respectively. Some of the difficulties still to be overcome in future measurements are briefly discussed. The author thanks A. V. Nazarenko for careful preparation of the measurement line. Orig. art. has: 2 figures, 4 formulas, and 1 table.

SUB CODE: 20/ SUBM DATE: 19Jul65/ ORIG REF: 005/ OTH REF: 004

Card

3/3 *la*

ACCESSION NR: AP4030793

8/0020/64/155/004/0931/0939

AUTHOR: Zavil'gel'skiy, G. B.; Il'yashenko, B. N.; Minyat, E. Ye. Rudchenko, O. N.

TITLE: Protective action of acridine orange against ultraviolet irradiation of DNA-infected bacteriophage 1 sub Phi 7

SOURCE: AN SSSR. Doklady*, v. 155, no. 4, 1964, 937-939

TOPIC TAGS: bacteria destroyer, bacteriophage, phage, bacteriolytic agent, acridine orange, DNA, deoxyribonucleic acid, deoxyribonucleic acid, biochemical research, physiological research, TNA, spheroplast

ABSTRACT: In the interaction of the basic dye acridine orange (AO) with DNA two complexes are formed: complex I, probably consisting of AO dimers or higher aggregates and complex II is an AO monomer. Complex I is mostly formed with single-chain DNA and RNA, while complex II is formed with native double-chain DNA. The purpose of the present work was to find whether AO can be used as protective substance against inactivation of infectious DNA by UV radiation. In the tests, DNA of the intestinal phage 1 ϕ 7 was used. DNA isolated from 1 ϕ 7 is infectious for spheroplast bacteria. DNA separation was done according to the phenolic

Card 1/3

ACCESSION NR: AP4030793

method. Spheroplasts were prepared from a broth culture of E.coli C. An elaborate test showed that dyeing of infectious DNA with AO in a $5 \cdot 10^{-7}M$ concentration caused practically no screening of UV light. The same test was repeated with $1 \varphi 7$ bacterio. phage. AO dye has no effect on the whole phage (DNA + albumin skin) since it does not penetrate through the albumin skin. Neither does UV radiation. With increased AO concentrations, the quanta input of lethal UV action decreases ($5 \cdot 10^{-7} = 1.6x$; $2.5 \cdot 10^{-6} = 2.85x$; $5 \cdot 10^{-8} = 4.8x$). The tests showed that in a DNA solution dyed with AO and irradiated with UV light (of the nucleic acid absorption spectrum), the dye protects DNA from inactivation by the UV quanta. This means an effective energy migration from the DNA base to the dye with subsequent light output or heat conversion. Orig. art. has: 1 figure, no formulas, no tables.

ASSOCIATION: Institut radiatsionnoy i fiziko-khimicheskoy biologii AN SSSR
(Institute of Radiation and Physico-Chemical Biology AN SSSR);
Institut epidemiologii i mikrobiologii im. N. F. Gamaleya Akademii
meditsinskikh nauk SSSR (Institute of Epidemiology and Microbiology, Academy of
Medical Sciences SSSR)

Card 2/3

ACCESSION NR: AP4030793

SUBMITTED: 30Aug63

DATE ACQ: 30Apr64

ENCL: 00

SUB CODE: LS

NO REF SOV: 001

OTHER: 005

Card 3/3

MINYATOV, A.V. (Moskva)

Calculating the pressure on the blunt trailing edge of a plate
separating two supersonic flows with laminar mixing. Izv. znan.
1 no.2:145-149 '61. (MIRA 14:12)

(Laminar flow)

MYAYEV, P. K.

"Ways of Improving the Efficiency of Open-Pit Systems in the Exploitation of Closed Deposits at Dzhezkazgan." Min. Higher Education USSR, Sverdlovsk Mining Institute V. V. Valhrushev, Sverdlovsk, 1965. (Dissertation for the Degree of Candidate in Technical Sciences)

SO: Ynizhnaya Letopis', No. 20, 1965, pp. 93-105

MINYAYEV, B.K., gornyy inzhener.

Open finished stopes system in mining inclined Dzhezkazgan orebeds.
Gor.zhur. no.1:16-19 Ja '56. (MLRA 200)

(Dzhezkazgan--Mining engineering)

MINYAYEV, B.K.

Ways of increasing the efficiency of the open stope system in
Dzhezkazgan mines. Trudy Unipromedi no.2:24-35 '57. (MIRA 11:11)

(Dzhezkazgan--Copper mines and mining)

MINYAYEV, B.K.

Industrial testing of BMK-2 boring machines in underground
mining. Trudy Unipromedi no.2:143-156 '57. (MIRA 11:11)
(Boring machinery--Testing)
(Mining engineering)

MINYAYEV, B.K., kandidat tekhnicheskikh nauk; PERMINOV, I.A., inzhener.

"UNIPROMED" Institute. Gor. zhur. no.8:41-43 Ag '57. (MLBA 10:9)
(Ural Mountain region--Copper mines and mining)
(Mining engineering)

CHEREDNIKOV, A.V.; MINYAYEV, I.I.; SHKODAKOV, M.N.

Three-spindle borer. Der. prom. 8 no.9:27 S '59. (MIRA 12:12)

(Drilling and boring machinery)

POLYAKOV, Ye.S.; MINYAYEV, I.N.; BADALYAN, Kh.A.; LUK'YANOV, V.V., doktor
tekhnicheskikh nauk, professor, rezensent; NAZAROV, N.I., kandi-
dat tekhnicheskikh nauk, dotsent; spetsredaktor; KUDAYEVA, V.F.,
redaktor; DUBOVKINA, N.A., tekhnicheskiy redaktor

[Macaroni plant equipment] Oborudovanie makaronnogo proizvodstva.
Moskva, Pishchepromizdat, 1954. 105 p. (MLRA 8:7)
(Macaroni) (Food industry--Equipment and supplies)

1. MINYASV, N. A.
2. USSR (600)
4. Leningrad Province - Botany
7. Basic stages in the history of the development of flora of Leningrad Province.
Nauch biul Len un. No. 28 1951.

9. Monthly List of Russian Agricultural Literature

April

MARKOVSKAYA, L.A.; MINYAYEV, N.A.; MISHKIN, B.A. [deceased]; MISHKINA, A.Ya.;
MURAV'YEVA, O.A.; NEKHASOVA, V.L.; ROZHEVITS, R.Yu. [deceased]; PLO-
ROVSKAYA, Ye.P.; SHISHKIN, B.K.; YUZEPCHUK, S.V.; SHISHKIN, B.K., prof.,
redaktor; DENISOV, N.N., redaktor; GATAULLINA, A.S., tekhnicheskiy
redaktor.

[Flora of the Leningrad Province] Flora Leningradskoi oblasti. Otvet-
stvennyi red. V.K. Shishkin. Leningrad. Izd-vo Leningradskogo univ.
No. 1. 1955. 285 p. (Microfilm) (MLRA 9:6)

1. Leningrad. Universitet. 2. Chlen-korrespondent Akademii nauk SSSR
(for Shishkin). (Leningrad Province--Botany)

9/11 8 11 11 11 11
DENISOVA, G.A.; ZAKHAREVICH, S.F.; KIRPICHNIKOV, M.E.; KORCHAGIN, A.A.;
MENYAYEV, M.A.; MISHKIN, B.A. [deceased]; MISHKINA, A.Ya. [deceased];
MURAV'YEVA, O.A.; SOKOLOVSKAYA, A.P.; FLOROVSKAYA, Ye.F.; SHISHKIN,
B.K., prof.; PETROVICHEVA, O.L., redl; VODOLAGINA, S.D., tekhn.red.

[Flora of Leningrad Province] Flora Leningradskoi oblasti. Ovt.
red. B.K.Shishkin. [Leningrad]. no.2: 1957. 240 p. (MIRA 11:3)

1. Leningrad. Universitet. 2. Chlen-korrespondent Akademii nauk
SSSR (for Shishkin)
(Leningrad Province—Botany)

~~MINYAKIN, N. S.~~

Systematics of Lotus species in the northwestern part of the European
U.S.S.R. Pt.1. Bot. mat. Gerb: 18:119-141 '57. (MLBA 10:6)
(Russia, Northwestern--Lotus)

BORKHWARDT, V.S.; VASIL'YEV, I.V.; KOZLOVSKAYA, N.V.; MARKOVSKAYA, L.A.;
MINYAYEV, N.A.; MURAV'YEVA, O.A.; SERGIYEVSKAYA, Ye.V.; SOKOLOV-
SKAYA, A.P.; FLOROVSKAYA, Ye.F.; SHISHKIN, B.K., prof.; YUZEPCHEK, S.V., prof.
[deceased]; KARPOVA, L.A., red.; ZHUKOVA, Ye.G., tekhn. red.

[Flora of Leningrad Province] Flora Leningradskoi oblasti. Otv.
red. B.K.Shishkin. Leningrad, No.3. 1961. 266 p. (MIRA 14:10)

1. Leningrad. Universitet. 2. Chlen-korrespondent AN SSSR (Shishkin).
3. Kafedra botaniki Leningradskogo Ordena Lenina gosudarstvennogo uni-
versiteta im. A.A. Zhdanova (for Sergiyevskaya, Yuzepciuk).
(Leningrad Province—Dicotyledons)

MINYAYEV, N.A.

Distribution of the bedstraw *Galium vernum* Scop. in Pskov Province.
Vest.LGU 16 no.9:136-140 '61. MIRA 14

(Pskov Province--Bedstraw)

MINYAYEV, N.A.; SHMIDT, V.M.

Investigation of the flora of Pskov Province. Vest.LGU 16 no.9:
151-159 '61. (MIRA 14:5)

(Pskov Province—Botanical research)

MINYAYEV, Nikolay Aleksandrovich; TIKHOMIROV, B.A., prof., otv. red.;
PETROVICHEVA, O.L., red. izd-va; GILIGANOVA, L.M., tekhn. red.

[Structure of plant associations; based on research material
on the blueberry-crowberry series of associations in the
Khibiny Mountains.] Struktura rastitel'nykh assotsiatsii; po
materialam issledovaniia chernichno-voronichnoi serii assotsiatsii
v Khibinskom gornom massive, Moskva, Izd-vo Akad.nauk SSSR,
1963. 260 p. (Rastitel'nost' Krainego Severa SSSR i ee osvoenie,
no.4) (MIRA 16:2)

(Khibiny Mountains-Plant communities)

MINYAYEV, N.A.; SHMIDT, V.M.

Fourth year of the study of flora in Pskov Province. Vest.
LGU 18 no.15:161-162'63. (MIRA 16:9)
(PSKOV PROVINCE—BOTANY)

MENYAYEV, N. A.

... ..
... ..
... ..
... ..

MINYAYEV, N.A.; RIZZHIVINA, Ye.Ya.

Valeriana bambucifolia Mik. f. in Leningrad Province. Vest. LGU
19 no.3:181-184 '64. (MIRA 17:3)

MINYA...

... 1981.
... 1945

BORKHVAHDT, V.S.; DROZLOVA, I.N.; ZAKHAREVICH, S.F.; KOZLOVSKAYA,
N.V.; MARKOVSKAYA, L.A. [deceased]; MIYAYEV, N.A.;
MURAV'YEVA, O.A.; SERGIYEVSKAYA, Ye.V.; SOKOLOVSKAYA, A.P.;
STANISHCHEVA, O.N.; TAKHTADZHIAN, A.L.; FLOROVSKAYA, Ye.F.;
TSVELEV, N.N.; SHISHKIN, B.K., prof. [deceased]; SHMIDT, V.M.;
DUBROVSKAYA, I.P., red.

[Flora of Leningrad Province] Flora Leningradskoi oblasti.
Leningrad. No.4. 1965. 356 p. (MIRA 18:9)

1. Leningrad. Universitet. 2. Chlen-korrespondent AN SSSR
(for Shishkin).

MINAYEV, N.A.

Temperate East European (Sarmatian) elements in the flora of
the Northwestern European part of the U.S.S.R. Vestn. 19
no. 21:44-50 '65.

EMIRA 18 1.0

L 4005-66 EWT(d)/EWT(1)/EPF(c)/EPF(n)-2/ETC(n) ... WWT

ACCESSION NR: AP5024422

UR/0286/65/000/015/0125/0126

AUTHORS: Zozulya, N. V.; ^{44.55}Minyaylenko, N. A.; ^{44.55}Sokolov, A. A.; ^{44.55}Chavdarov, A. S. ⁶⁹

TITLE: Ribbed surface for tubular and plate heat exchangers. Class 46, No. 173546 ^{77.9}

SOURCE: Byulleten' izobreteniy i tovarnykh znakov, no. 15, 1965, 125-126 ^{71.44.55}

TOPIC TAGS: heat exchanger, heat diffusion, heat exchange panel

ABSTRACT: This Author Certificate presents a ribbed surface for tubular and plate heat exchangers containing parallel rows of tubes or plates (see Fig. 1 on the Enclosure). To decrease the area of its frontal section and to increase its coefficient of heat exchange, the ribs on the adjacent rows of tubes or plates are axially shifted in respect to one another, while the rows of tubes or plates are separated by deflectors. The tubes or plates and the deflectors form defusers, convectors, and gas ducts. The ribs may be longitudinal (smooth or corrugated), or they may be made of wires of desired diameters. The tubes may be flattened. Orig. art. has: 1 figure.

ASSOCIATION: Institut teploenergetiki, AN UkrSSR (Institute of Heat Power Engineering, AN UkrSSR)

UDC: 621.565.94

L 4005-66
ACCESSION NR: AP5024422

SUBMITTED: 13Sep63

ENCL: 01

SUB CODE: IE, TD

NO REF SOV: 000

OTHER: 000

Card 2/3

L 4005-66

ACCESSION Nr: AP5024422

ENCLOSURE: 01

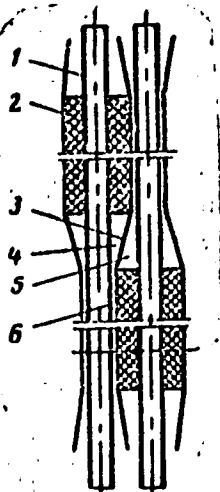


Fig. 1. 1- tube; 2- ribbed portion; 3- deflector;
4- diffuser; 5- convector; 6- gas duct

Card 3/3

L 01814-67 EWT(m)/EWP(1) LIPC

ACC NR: AP6035633

SOURCE CODE: UR/0089/66/020/005/0429/0430

AUTHOR: Alekseyev, A. G.; Barkovskiy, V. I.; Gerasargin, Yu. G.; Vasil'yev, V. N.; Litunovskiy, R. N.; Minyayev, O. A.; Pichalov, V. N.; Stepanov, A. V.

37
B

ORG: none

TITLE: 68.5 cm sector-focused cyclotron

11

SOURCE: Atomnaya energiya, v. 20, no. 5, 1966, 429-430

TOPIC TAGS: cyclotron, deuteron, proton

ABSTRACT: A sector-focusing cyclotron that can deliver protons of 7.5 to 100 Mev and deuterons of 0.5 to 4.0 Mev is described. The acceleration of molecular H_2^+ ions underscores the essential role of the process of proton dissociation. Under certain conditions intrinsic to the sector-focusing cyclotron where the ions achieve several hundred revolutions, this process can interfere with obtaining the intensity of the ion beam at finite energies, if the vacuum in the accelerator chamber is less than 1.10^{-3} mm Hg cm^{-1} . Orig. art. has: 3 figures. (NA)

SUB CODE: 20 / SUBM DATE: 04 Sep 65 / ORIG REF: 002 / OTH REF: 001

Card 1/1 Ev

UDC: 621.384.611

0922 0035

BARANOV, Yu.I.; KOSTOUSOV, N.L.; MINYAYEV, V.A.; YEMEL'YANOV, V.P.

In rolling mills across the land. Metallurg 8 No.3:32-34, Nr.'63.
(MIRA 16:3)

1. Severskiy metallurgicheskiy zavod (for Baranov, Kostousov, Minyayev). 2. Magnitogorskiy metallurgicheskiy kombinat (for Yemel'yanov).

(Rolling mills—Equipment and supplies)

MINYAYEV, V. A., Cand of Med Sci -- (diss) "The organization of hospital care for the adult population ~~and~~ in large cities." Leningrad, 1957, 11 pp (First Leningrad Medical Institute im Pavlov, Chair of the Organization of Public Health), 200 copies
(KL, 30-57, 112)

MINYAYEV, V. A.

Hospitalization system of the Ministry of Health of the USSR (Muz. 1-20, Nr. 102).

1. Iz kafedry organizatsii zdravookhraneniya (zav. - prof. G. Ye. Freydlin) 1-go Leningradskogo meditsinskogo instituta imeni P. Pavlova (dir. A. I. Ivanov)
(SOCIETALS) (MEDICAL STATISTICS)

MINYAYEV, V.A.

Some problems in planning centers of medical aid for the adult population of large cities. Sov.zdrav. 16 no.5:8-12 My '57.

(MLRA 10:7)

1. Iz kafedry organizatsii zdravookhraneniya (zav. - prof. S.Ya. Freydlin) i Leningradskogo meditsinskogo instituta imeni I.P. Pavlova (dir. A.I.Ivanov).

(CLINICS,

in large cities in Russia (Rus))

MINYAYEV, V.A., kand.med.nauk

"Permanent commissions for public health and social security
in local councils of workers' deputies." by H.T. Starostenko,
M.I.A. Gekhtman. Reviewed by V.A. Minlaev. Zdrav.Ros.Feder. 3
no.1:36-37 Ja '59.

(MIRA 12:2)

(MOLDAVIA--PUBLIC HEALTH)

(STAROSTENKO, H.T.)

(GEKHTMAN, M.I.A.)

MINYAYEV, V.A.

Review of L.A. Brushlinskaia, M.I.A. Kassatsier, M.M. Mazur's
"Statistics in the urban hospital." Sov.zdrav. 18 no.9:57-
58 '59. (MIRA 12:11)
(MEDICAL RECORDS) (BRUSHLINSKAIA, L.A.) (KASSATSIER, M.I.A.)
(MAZUR, M.M.)