

L 26558-66 ENT(1)/FCC GH

ACC NR: AP6016980

SOURCE CODE: UR/0050/66/000/003/0040/0044

AUTHOR: Mepistsveridze, E. I.

ORG: Hydrometeorological Scientific Research Center, Moscow (Gidrometeorologicheskii nauchno-issledovatel'skiy tsentr SSSR)

TITLE: Method for computing geopotential at H500 for a natural synoptic period

SOURCE: Meteorologiya i gidrologiya, no. 3, 1966, 40-44

TOPIC TAGS: atmospheric geopotential, weather forecasting, troposphere, stratosphere, atmospheric thermodynamics

ABSTRACT: In this study a new method has been formulated for computing H500 for a natural synoptic period. Forecasts computed by this method are completely satisfactory. In addition, allowance for processes simultaneously in the troposphere and lower stratosphere and the distribution of the convective heat flux in the middle troposphere make it possible to introduce necessary corrections into the forecast in those cases when a sharp change of the temperature-pressure field is expected in the course of the natural synoptic period. This correction is very important because it makes it possible to obtain a more correct idea on the temperature-pressure field in the troposphere. Orig. art. has: 3 tables and 2 formulas. [JPRS]

SUB CODE: 04 / SUBM DATE: 25Nov65 / ORIG REF: 007

Card 1/1 *cc*

UDC: 551.509.329

*Ref. 17/1/16*  
 ABRAMOV, S.K., kand.tekhn.nauk; AVERSHIN, S.G., prof., doktor tekhn.nauk;  
 AMOSOV, I.I., doktor geol.-min.nauk; ANDRIYEVSKIY, V.D., inzh.;  
 ANTOPOV, A.M., inzh.; APANAS'YEV, B.L., inzh.; BERGMAN, Ya.V.,  
 inzh.; BLOKHA, Ye.Ye., inzh.; BOGACHEVA, Ye.H., inzh.; BUKRINSKIY, V.A.,  
 kand.tekhn.nauk; VASIL'YEV, P.V., doktor geol.-min.nauk; VINOGRADOV,  
 B.G., inzh.; GOLUBEV, S.A., inzh.; GORDIYENKO, P.D., inzh.; GUSEV, N.A.,  
 kand.tekhn.nauk; DOROKHIN, I.V., kand.geol.-min.nauk; KALMYKOV, G.S.,  
 inzh.; KASATOCHKIN, V.I., doktor khim.nauk; KOROLEV, I.V., inzh.;  
 KOSTLIVTSEV, A.A., inzh.; KRATKOVSKIY, L.F., inzh.; KRASHENINNIKOV, G.F.,  
 prof. doktor geol.-min.nauk; KRIKUNOV, L.A., inzh.; LEVIT, D.Ye., inzh.;  
 LISITSA, I.G., kand.tekhn.nauk; LUSHNIKOV, V.A., inzh.; MATVEYEV, A.K.,  
 dots., kand.geol.-min.nauk; MEMPURISHVILI, G.Ye., inzh.; MIRONOV, K.V.,  
 inzh.; MOLCHANOV, I.I., inzh.; NAUMOVA, S.N., starshiy nauchnyy sotrudnik;  
 NEKIPELOV, V.Ye., inzh.; PAVLOV, F.F., doktor tekhn.nauk; PANYUKOV, P.N.,  
 doktor geol.-min.nauk; POPOV, V.S., inzh.; PYATLIN, M.P., kand.tekhn.  
 nauk; RASHKOVSKIY, Ya.B., inzh.; ROMANOV, V.A., prof., doktor tekhn.  
 nauk; RYZHOV, P.A., prof., doktor tekhn.nauk; SELYATITSKIY, G.A., inzh.;  
 SPERANSKIY, M.A., inzh.; TEREENT'YEV, Ye.V., inzh.; TITOV, N.G., doktor  
 khim.nauk; GOKAREV, I.F., inzh.; TROYANSKIY, S.V., prof., doktor geol.-  
 min.nauk; FEDOROV, B.D., dots., kand.tekhn.nauk; FEDOROV, V.S., inzh.  
 [deceased]; KHOMENOVSKIY, A.S., prof., doktor geol.-min.nauk; TROYANOV-  
 SKIY, S.V., otvetstvennyy red.; TERPIGOREV, A.M., red.; KRIKUNOV, L.A.,  
 red.; KUZNETSOV, I.A., red.; MIRONOV, K.V., red.; AVERSHIN, S.G., red.;  
 BURTSEV, M.P., red.; VASIL'YEV, P.V., red.; MOLCHANOV, I.I., red.;  
 RYZHOV, P.A., red.; BALANDIN, V.V., inzh., red.; BLOKH, I.M., kand.  
 tekhn.nauk, red.; BUKRINSKIY, V.A., kand.tekhn.nauk, red.; VOLKOV, K.Yu.,  
 inzh., red.; VOROB'YEV, A.A., inzh., red.; ZVONAREV, K.A., prof. doktor  
 tekhn.nauk, red.

(Continued on next card)

ABRAMOV, S.K. (continued) Card 2.

ZDANOVICH, V.G., prof., doktor tekhn.nauk, red.; IVANOV, G.A., doktor geol.-min.nauk, red.; KARAVAYEV, N.M., red.; KOROTKOV, G.V., kand.geol.-min.nauk, red.; KOROTKOV, M.V., kand.tekhn.nauk, red.; MAKHAYEV, A.A., doktor geol.-min.nauk, red.; OMEL'CHENKO, A.N., kand.tekhn.nauk, red.; SENDERZON, E.M., kand.geol.-min.nauk, red.; USHAKOV, I.N., dots., kand.tekhn.nauk, red.; YABLOKOV, V.S., kand.geol.-min.nauk, red.; KOROLEVA, T.I., red.izd-va; KASHALINA, Z.I., red.izd-va; PROZOROVSKAYA, F.L., tekhn.red.; NADINSKAYA, A.A., tekhn.red.

[Mining; an encyclopedic handbook] Gernoe delo; entsiklopedicheskiy apravochnik. Glav. red. A.M.Terpigorev. Moskva, Gos.nauchno-tekhn. izd-vo lit-ry po ugol'noy promyshl. Vol.2. [Geology of coal deposits and surveying] Geologiya ugol'nykh mestorozhdenii i marksheiderskoe delo. Redkolegia tova S.V.Troianskiy. 1957. 646 p. (MIRA 11:5)

1. Chlen-korrespondent A.S.SSR (for Karavayev)  
(Coal Geology Dictionaries)

MEPURISHVILI, G. Ye.

MEPURISHVILI, G. Ye., Cand Tech Sci -- (dess) "Equation and  
 Evaluation of the Accuracy of ~~Mine Surveying~~ <sup>marksheyder</sup> and Geodetic ~~Surveying~~ <sup>plotting</sup>  
~~thesis~~ in the Light of ~~the~~ <sup>the</sup> ~~Keil-Banekhevich~~ <sup>of Keil and Banekhevich</sup> Matrix Algebra," Mos,  
 1957. 14 pp, 2 sheets of tables. (Min Higher Ed USSR, Mos Mining  
 Inst im I. V. Stalin), 120 copies. ~~XXXXXXXXXXXXXXXXXXXX~~  
 (KL, 7-58, 110-111)

MEPURISHVILI, G.Ye., dotsent

Solution of a problem by the method of least squares in the  
light of Cayley's and Banachiewicz' algebraic theories. Izv.  
vys.ucheb.sav.: gor.zhur. no.10:39-45 '59.  
(MIRA 13:5)

1. Moskovskiy gornyy institut.  
(Mine surveying) (Least squares)

MEPURISHVILI, G.Ye.

Application of "Krakow calculations" to the solution of some geodesic problems. Nauch. trudy MGI no.31:95-114 '60. (MIRA 14:2)  
(Geodesy—Problems, exercises, etc.)

20654

MER, I.

Dec 1947

USSR/Motor Truck 4403.0200

"The ZIS-150 Motor Truck," I. Mer, 2 pp

"Za Oboronu" Vol XXIII, No 14

Compares ZIS-150 truck with the older ZIS-5. ZIS-150 considered more up-to-date and as having numerous advantages over older model. Indicates that new model is beginning to come off assembly line of automobile plant imeni Stalin. Includes three sketches of chassis and other parts.

20654

LC

1. MER, I. I.
2. USSR (600)
4. Mixing Machinery
7. Determination of number of spindle revolutions rotation angle of blade, and mixing time for blade mixers. Mekh. stroi. 9 no. 9, 1952.

9. Monthly List of Russian Accessions, Library of Congress, January, 1953. Unclassified.



SEVROV, Konstantin Pavlovich; LOZOVY, Dmitriy Andreyevich; MER,  
Iosif Il'ich; MANAKIN, N.V., redaktor; MAL'KOVA, N.V., tekhnicheskii redaktor.

[Trailing and mounted types of road machinery; tractor driver's manual] Pritsepye i navesnye doroznye mashiny; spravochnik traktorista. Moskva, Nauchno-tekhn.izd-vo avtotransportnoi lit-ry, 1955. 402 p. (MLRA 8:11)  
(Road machinery)

MER, Iosif Il'ich, kand. tekhn. nauk; IGOLKIN, V.N., red.; GALAKTIONOVA,  
Ye.N., tekhn. red.

[Operating diesel engines of road machinery in winter time]  
Zimniaia ekspluatatsiia dizelsi dorozhnykh mashin. Moskva,  
Nauchno-tekhn. izd-vo avtotransp. lit-ry, 1956. 49 p. (MIRA 11:9)  
(Road machinery) (Diesel engines—Cold weather operation)

MER, I.I., kandidat tekhnicheskikh nauk.

Machinery for land improvement work. Gidr.i mel.8 no.8:44-55 Ag '56.  
Gidr.i mel.8 no.8:44-55 Ag '56. (MLRA 9:9)  
(Agricultural machinery) (Excavating machinery)

108, 10/12

AUTHOR: Ver, I.I. Candidate of Technical Sciences 44-8-10/12

TITLE: Mechanization of melioration work (Mekhanizatsiya meliorativnykh rabot za rubezom)

PERIODICAL: "Gidrotekhnika i Melioratsiya", 1972, No. 10, pp. 10-11 (100)

ABSTRACT: Numerous new machines are being used for melioration work abroad, and some of the known machines have been greatly improved. Of great interest are experiments conducted with single-shovel excavators at melioration projects, single hydraulic shovels mounted on tractors, and hydraulic attachments for continuous operation. Tests conducted in foreign countries have shown that the efficiency of excavators used at melioration projects in the USSR can be improved considerably by using special shovels for different tasks, (digging of narrow drainage ditches, cleaning of canals etc) The article contains brief descriptions of British, German, American, Dutch and Danish equipment. The article contains 2 figures, 16 photographs, and 25 references, 12 British, Australian and American and 1 German.

AVAILABLE: Library of Congress

Card 1/1

MER, I. I., kand.tekhn.nauk

Machinery and tractor-mounted equipment for step-by-step excavation and cleaning of canals and grading of slopes. (U.S.A)Gidr. 1  
mel. 12 no.6:53-58 Je '60. (MIRA 13:7)

1. Moskovskiy institut inzhenerov vodnogo khozyaystva.  
(United States--Earthmoving machinery)

MER, I.I., kand.tekhn.nauk; BUTYKHOV, N.V., inzh.; MOROZOV, Ye.M., inzh.

Device for laying a coating in irrigation canals which  
prevents loss of water. Stroi. i dor. mash. 7 no.5:32-36  
My '62. (MIRA 15:5)

(Irrigation canals and flumes)

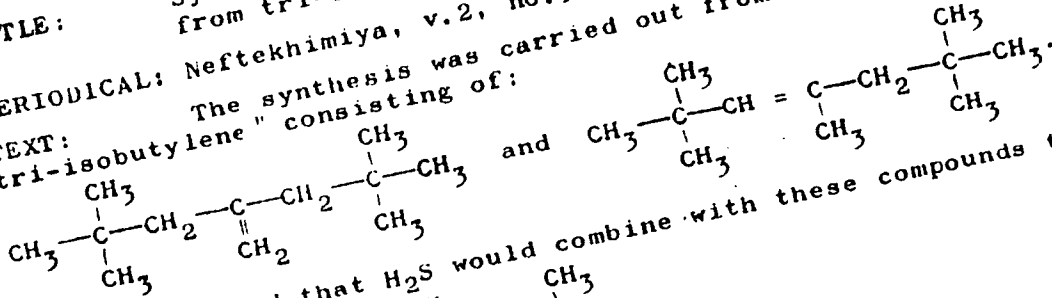
MER, Iosif Il'ich; CHUPEYEV, A.I., red.; GUSAKOVA, T.P., red.

[Machines used in land improvement] Meliorativnye mashiny. Moskva, Koles, 1964. 366 p.      (MIRA 18:2)

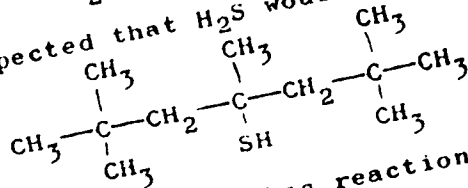
S/204/62/002/005/004/007  
E075/E136

AUTHORS: Shostakovskiy, M.F., Prilezhayeva, Ye.N., and Mer, L.N.  
TITLE: Synthesis and properties of tertiary dodecanethiol from tri-isobutylene

PERIODICAL: Neftekhimiya, v.2, no.5, 1962, 735-738  
TEXT: The synthesis was carried out from "Butlerov tri-isobutylene" consisting of:



It was expected that H<sub>2</sub>S would combine with these compounds to form



The best catalyst for this reaction was BF<sub>3</sub>·H<sub>3</sub>PO<sub>4</sub>. The  
Card 1/2



Synthesis and properties of tertiary... S/204/62/002/005/004/007  
E075/E136

isobutylenes were agitated for 45 hours with an excess of liquid  $H_2S$  released from a sealed ampule and 40%  $BF_3 \cdot H_3PO_4$  (in  $H_3PO_4$ ) under 15-17 atm in an autoclave. The maximum yield of the thiol was 30-40%. Its vinyl derivative was prepared by heating to 145 °C with acetylene for 3 hours in the presence of powdered KOH in dioxane. There is 1 table.

ASSOCIATION: Institut organicheskoy khimii AN SSSR im.  
N.D. Zelinskogo  
(Institute of Organic Chemistry AS USSR  
imeni N.D. Zelinskiy)

SUBMITTED: April 19, 1962

Card 2/2

LYUTTSAU, Aleksey Grigor'yevich; MER, N.I.; MERRO, Ye.M.; RYBIN, N.G.;  
ROZENVASSER, M.A.; SOLOV'YEV, S.N.; FILIMONOV, V.P.;  
SHAROYKO, V.V.; MEREZHKO, V.G., retsenzent; USENKO, L.A.,  
tekhn. red.

[On the road of great initiative] Po puti velikogo pochina.  
Moskva, Transzheldorizdat, 1961. 75 p. (MIRA 15:2)

1. Zamestitel' nachal'nika Glavnogo upravleniya lokomotivnogo  
khozyaystva Ministerstva putey soobshcheniya (for Merezko).  
(Railroads--Employees--Labor productivity)

MER, N.I.

A standing production conference at work. Elek. i tepl. tiaga  
5 no.8:5-6 Ag '61. (MIRA 14:9)

1. Glavnyy inzh. lokomotivnogo depo Moskva-Sortirovochnaya-Ryazanskaya, predsedatel' prezidiuma postoyanno deystvuyushchego proizvodstvennogo soveshchaniya lokomotivnogo depo Moskva-Sortirovochnaya-Ryazanskaya.  
(Railroad--Repair shops) (Railroads--Employees)

IVSHIN, Pavel Yakovlevich; KUKHARKINA, N.M., retsenzent; MER, N.M.,  
retsenzent; KRISHTAL', L.I., red.; CHIRSKIY, G.M., red.;  
VASIL'YEVA, N.N., tekhn. red.

[Statistics of the locomotive depot; records and accounting]  
Statistika v lokomotivnom depo; uchet i otchetnost'. Mo-  
skva, Vses. izdatel'sko-poligr. ob"edinenie M-va putei soob-  
shcheniia, 1962. 111 p. (MIRA 15:3)  
(Railroads--Statistics) (Locomotives)

OLOGU, Gh., ing.; MERA, Al.

How the Balda Cooperative of Agricultural Production obtains large crops of sugar beets every year. Ind alim 16 no.3:150-153 Mr '65.

1. Balda Cooperative of Agricultural Production (for Ologu).
2. Head of the Agricultural Service, Ludus Sugar Plant (for Mera).

VARGA, F.; MERA, E.

Diagnostic value of pneumoencephalography with small insufflation; comparative studies. *Ideg. szemle* 11 no.3:74-80 June 58.

1. A marosvasarhelyi Ideggvogyaszati Klinika (Igazgato: Miskolczy Dezso akadémikus) közleménye.

(VENTRICULOGRAPHY

with small insufflation, diag. value compared with large insufflation (Hun))

MERA, P.

✓ Detection of bilirubin in urine with bromine water.  
Cy. Trady and P. Mera (Med. Univ., Szeged, Hung.).  
*Die Medicinische Wochenschrift* 1955, 12233. — Urine (2 cc.) is underlayered  
with catd. br water contg. 3-4 drops HCl/20 cc. A green  
ring forms at the interface if bilirubin is present. A. 12.

IVADY, Gyula, dr.; MERA, Piroska, dr.

Bilirubin determination in urine by bromine water. Orv. hetil.  
97 no.10:276- 4 March 56.

1. Z Szegedi Orvostudományi Egyetem Gyermekklinika-jának  
(igazgató: Waltner, Karoly dr. egyetemi tanár) közleménye.

(BILIRUBIN, in urine  
determ., bromine water test. (Hun))

(URINE  
bilirubin, determ., bromine water test. (Hun))

(BROMINE  
bromine water test in bilirubin determ. in urine.  
(Hun))



BORSAY, J. DETTRE, G. MERA, Z.

Hemostatis with thrombin. <sup>HEMOSTATIS WITH THROMBIN</sup> Orv. hetil., Budap. 92 no.31:1010-1012  
5 Aug 1951 (CIML 21:1)

1. Doctors
2. Surgical Clinic (Director -- Prof. Dr. Gyula Jaki), Szeged Medical University.

Merabishvili, M.

Utilization of bentonitic clays from the Tsikhis-Ubani deposits. S. Ulatov and M. Merabishvili. *Bentonitovye Gliny Gruzii* (Tiflis: Izdatel. Akad. Nauk Gruzia, S.S.R.) *Sbornik* 1953, 61-70; *Referat. Zhurn. Geol. Geogr.* 1954, *Atestr.* No. 563.—Askaniya (bentonite) from deposits at Tsikhis-Ubani can be utilized directly for the prepn. of drilling muds, but askaniya can be used only after modification by means of a 1-3% soln. of soda ash. Addn. of excess soda ash lowers the quality of the drilling muds. A small increase in the amt. (5-12%) of bentonites in the mud improved the drilling rate. Daniel B. Appleman

4  
1-4E 2C

MERABISHVILI, M.S.

~~Bentonites of Sariguykh deposit in Armenia. M. S. Merabishvili, S. S. Filatov, and N. P. Yagushi (Inst. of Mineral Deposits, Tbilisi). Soobshcheniya Akad. Nauk Gruz. S.S.R. 15, No. 7, 431-3 (1954) (in Russian).—A detailed study of these bentonites (1) has shown that they can be used not only in drilling but also in many other fields. Suspensions of 1 are stable, have high structural and thixotropic properties and a sp. gr. of 1.03-1.05. The  $\eta_{sp}$ , detd. by the immersion method, were  $\gamma'$  1.504,  $\alpha'$  1.400, and thermal analysis data indicate that 1 are composed mostly of clays of the montmorillonite group. By sedimentation analysis 1, in a 2% suspension, yields 8-16% of material with particle size  $\geq 60 \mu$ , 10-41% with particle size = 1.5-60  $\mu$ , and 50-78% with particle size  $\leq 1.5 \mu$ . The amt. of the latter material might be increased to 90% by using a small amt. of Na pyrophosphate p.ptizer. E. Barabash~~

CP  
CH

WC (2) JH

15-57-4-5039  
Translation from: Referativnyy zhurnal, Geologiya, 1957, Nr 4,  
p 139 (USSR)

AUTHORS: Merabishvili, M. S., Mdivnishvili, O. M.

TITLE: Use of Askanskiye Bentonites for Foundry Molds  
(K voprosu ob ispol'zovanii askanskikh bentonitov v  
formovochnykh smesyakh)

PERIODICAL: Soobshch. AN GruzSSSR, 1956, Vol 17, Nr 8, pp 697-  
701

ABSTRACT: The bentonite clays of the Askanskaya group of de-  
posits (Georgian SSR) exhibit two varieties known as  
askangel' and askanglina. Askangel' has a predomi-  
nance of alkaline cations (basically sodium) in the  
absorbing complex; askanglina has a predominance of  
alkali-earth cations (basically calcium). The possi-  
bility of using askanglina for foundry molds was  
studied. Both askangel' and askanglina were tested.

Card 1/2

15-57-4-5039

## Use of Askanskiye Bentonites for Foundry Molds (Cont.)

The tabulation shows the composition of the absorbing complex (mg-equiv per 100 g) of the clay. (See tabulation) The tests showed

Name	Ca + Mg	Na + K	Total absorption capacity
Askangel'	18.58	70.90	84.48
Askanglina	61.20	29.07	90.27

that askanglina begins to develop cohesive properties only after it reaches a concentration of 30 percent. The two forms of bentonite have an almost identical cohesive capacity at 50 percent moisture content, which is the optimum. A 3 percent bentonite powder was used. Moisture content should be kept at its optimum when using askanglina.

Card 2/2

S. P. Sh.

MERABISHVILI, M.S., glavnyy red.; AVALLIANI, G.A., red.; BAKRADZE, I.V., red.; DOLABERIDZE, L.D., red.; KAKABADZE, N.A., red.; KOMETIANI, G.A., red.; TVALCHRELIDZE, G.A., red.; TEGONIDZE, G.I., red.; FOKIN, A.M., red.; FILATOV, S.S., red.; EDILASHVILI, V.Ya., red.; BEREZOVSKAYA, L.I., red.izd-vo; IVANOVA, A.G., tekhn.red.

[Yearbook of the Caucasus Institute of Raw Minerals for 1957]  
Ezhgodnik Kavkazskogo instituta mineral'nogo syr'ia za 1957  
god. Moskva, Gos.nauchno-tekhn.izd-vo lit-ry po geol. i okhrane  
nedr, 1959. 54 p. (MIRA 13:12)

1. Tiflis. Kavkazskiy institut mineral'nogo syr'ya.  
(Caucasus--Mines and mineral resources)

MERABISHVILI, M.S.; GRIGOROVICH, M.B., retsenzent; SHVIRYAYEV, Yu.T.,  
red. izd-va; SHMAKOVA, T.M., tekhn. red.

[Bentonites; natural and physicochemical characteristics,  
their use and principal deposits in the U.S.S.R.] Betonito-  
vye gliny; prirodnye osobennosti, fiziko-khimicheskie svoi-  
stva, oblasti primeneniia, osnovnye mestorozhdeniia SSSR.  
Moskva, Gosgeoltekhizdat, 1962. 127 p. (MIRA 15:8)  
(Bentonite)

MERABISHVILI, M.S.; MACHABELI, G.A.; MDIVNISHVILI, O.M.;  
KVIRIKADZE, G.A.

Present-day utilization of betonites from principal deposits  
of the U.S.S.R. and prospects for its further development.  
Geol. sbor. [Kavk.] no.2:222-243 '62. (MIRA 17:1)



MERTINSKI, E.; MDIVNISHVILI, G.M.; SANTSULAYA, T.V.; VYAKHIREV, N.F.

Effect of heat treatment on the structure and physicochemical properties of bentonite clays. Trudy KMS no.5:39-41 '63.

(MIRA 18:10)

MERABISHVILI, M.S.; MDIVNISHVILI, O.M.; FAREMUELOVA, G.A.

Estimating the sorption activity of clays. Trudy KIMS no.5:45-48 '63.  
(MIRA 18:10)

I. 9098-65 ENT(d) Po-1/Pq-1/Pg-1/Fk-1/Pl-1 LIP(c)/AFTR/SSD/ASD(a)-5/AFMC/  
AFTC(p)/ESD(dp)/ASD(m)-3/AFMD(p) EC S/0280/64/000/003/0103/0108  
ACCESSION NR: AP4041966

AUTHOR: Merabishvili, P.F. (Moscow) B

TITLE: Synthesis of a two-dimensional servo system which is invariant with respect to changes in certain parameters D

SOURCE: AN SSSR. Izv. Tekhnicheskaya kibernetika, no. 3, 1964, 103-108

TOPIC TAGS: automation, automatic control system, servo system, two dimensional servo system, invariant servo system, electroerosion

ABSTRACT: The servo system under consideration is used for reproduction of a curve on a plane, e.g. for leading the electrode of an electroerosion machine along a curve to machine a complicated surface, and is shown in Figure 1 of the Enclosure. The desired curve is synthesized in parametric form in two channels,  $x = \psi(\theta)$ ,  $y = \beta(\theta)$  by the programming system PS. Here  $W_{cc}(p)$  is the transfer function of the servo system for displacement of the electrode along the x and y axes and

$$v_e \approx \sqrt{v_x^2 + v_y^2} \quad (1)$$

is the electrode velocity. For a linearized system the change in the electrode velocity

Card 1/6

L 9098-65

ACCESSION NR: AP4041966

is written as

$$\Delta v_x = \frac{K_x W_{CT}(p) \left( \frac{v_{x0}}{v_{x0}} K_x + \frac{v_{y0}}{v_{y0}} K_y \right)}{1 + K_x W_{CT}(p) \left( \frac{v_{x0}}{v_{x0}} K_x + \frac{v_{y0}}{v_{y0}} K_y \right)} \Delta v_{x0} \quad (2)$$

where  $v_{x0}$ ,  $v_{y0}$  and  $v_{z0}$  are time derivatives of  $x$ ,  $y$  and  $z$  evaluated at  $t = t_0$  and where

$$K_x = \left( \frac{d\psi}{d\theta} \right)_{\theta=\theta_1} \quad \text{and} \quad K_y = \left( \frac{d\psi}{d\theta} \right)_{\theta=\theta_2} \quad (3)$$

If the expression in brackets is denoted by  $K(x, y)$  then the object of the synthesis is to achieve a minimum influence of  $K(x, y)$  on the quality of the system. The open loop transfer function,  $W_{CT}(p)$  of the servo is assumed to be

$$W_{CT}(p) = \frac{K_T (1 + T_2 p)}{R (1 + T_1 p) (1 + T_3 p)} \quad (4)$$

Card 2/6

L 9098-65  
 ACCESSION NR: AP4041965

where  $T_1$ ,  $T_2$  and  $T_3$  are defined by requirements of smoothness of performance of the system at low velocities. The desired system is shown in Fig. 2 of the Enclosure and its transfer function is

$$W_{co}(p) = \frac{K_1(1+T_3p)(1+\tau_3p)}{p(1+T_1p)(1+T_2p) + K_1(1+T_3p)} \quad (5)$$

where  $\gamma(p) = T_0 p$  and  $\gamma_0 = \frac{1}{K_1}$ . It is shown that the reproduction of the straight lines and

circular arcs by this system the quantity  $K(x, y)$  is  $v_z/w$  and is independent of the coordinates. This is not true for elliptical or parabolic curves. Evaluation of Bode's sensitivity of the closed loop transfer function, as given by equation (1) with respect to  $K(x, y)$  shows that this sensitivity approaches zero only when the gain  $K \rightarrow \infty$ . This determines the class of systems which are insensitive to  $K(x, y)$ . It follows that such systems result when

$$K_1(1+T_3p) + (1+\tau_3p)K(x, y) = 0 \quad (6)$$

Card 3/6

L 9098-65  
ACCESSION NR: AP4041965

satisfies the stability requirements and when the difference between the highest powers of  $p$  in the characteristic equation of the sensitivity function and equation (4) is smaller or equal to 2. Orig. art. has: 41 equations and 2 figures.

ASSOCIATION: none

SUBMITTED: 01Jul63

ENCL: 02

SUB CODE: IE, MA

NO REF SOV: 009

OTHER: 001

Card

L 9098-65  
ACCESSION NR: AP4041985

ENCLOSURE: 01

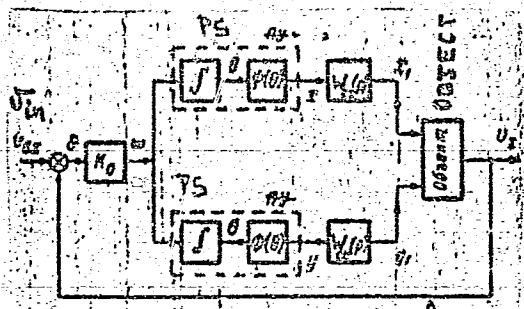


Fig. 1. Block diagram of a two-dimensional servo system. (PS = programming system)

Card 6/6

REF ID: A60065  
ACQUISITION NO: AP4041936

ENCLOSURE: 02

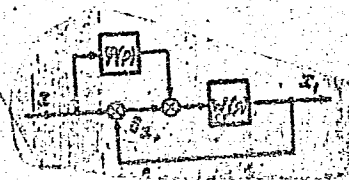


Fig. 2. Servo system block diagram.

Card 6/8



MERABISHVILI, P.F.

Conditions of smooth operation of servosystems. Trudy MINKHIGP  
no.52:120-130 '64. (MIRA 18:6)

MERABISHVILI, P.F. (Moskva)

Optimization of a two-dimensional servo system for electric spark  
machining. Avtom. i telem. 25 no.5:641-649 My '64. (MIRA 17:9)

MERABISHVILI, V.I.; DZASOKHOVA, E.N.; GIORGADZE, A.G.; KEKELIYA, N.Z.

Surgical treatment of outward deviation of the first toe of  
the foot. Soob. AN Gruz. SSR 38 no. 3:703-707 Je '65.  
(MIRA 18:12)

SOTNIKOV, S.; MERAB'YAN, I.

Radio direction finder, IUn.tekh. 4 no.12:65-69 D '59.  
(MIRA 13:4)

(Radio direction finders)

MERAB'YAN, I.

Portable bench setup for the training of radio operators. V pom.  
radiolub. no.9:59-63 '60. (MIRA 13:12)  
(Radio operators--Education and training)

fr MERACHEVSKIY, Yu.V.

Scientific research work of the analytical chemistry chair  
at the Leningrad State University during 1945-1949. Yu. V.  
Merachevskii. Vestnik Leningrad Univ. 5, No 10, 1948  
(1950) 178-179. H. H. H. H.

COUNTRY : USSR K  
CATEGORY : Forestry. Forest Management.  
ABS. JOUR. : RZhBiol., No. 4, 1959, No. 154-153  
AUTHOR : Novikov, O.L.; Merulins'kiy, P.M.  
INST. :  
TITLE : Choice and Basis for Indices of Massive Felling-  
ings in Lowland Forests of the Ukraine.  
ORIG. PUB. : Visnik sil's'kogospod. nauchn. Ukr. akad.  
sil's'kogospod. nauk. 1958, No.2, 64-68  
ABSTRACT : It is noted that it is impractical to replace  
clear cuttings, which are fundamental for  
flatland forests, by more complex ones. In  
the choice of index it is necessary to pro-  
ceed according to combined systems of restora-  
tion. Establishment of indices must be based  
on an evaluation of ecological and not econo-  
mic importance of the forest stand. Princi-  
ples are stated for the selection of indices  
CARD: 1/2

MERAZHINSKIY, V.M. [Merazhyns'ki, V.M.]; LASTOVSKAYA, T.G. [Lastouskaia,  
T.H.]

Electrophoretic changes in hypothyreosis in rats of different  
ages. Vestsi AN BSSR. Ser.biial.nav. no.1:111-115 '60.

(MIRA 13:6)

(HYPOTHYROIDISM)



MERAZHYNSKI, M.F.

Biochemical factors and the securance of the functional compensation  
and adaptation of the animal organism. Vestsi AN BSSR Ser biial. nav.  
no.1:59-64 '62. (MIRA 17:9)

MERC, Wlodzimierz (Lodz)

Influence of natural convection on the distribution of the heat  
conduction coefficient in laminar water flow in a vertical tube.  
Archiw bud masz 10 no. 3: 269-296 '63.

ZAMFIR, C., dr.; CIOBA, Gh, medic emerit, dr.; MERCA, Z., dr.; STRIMBEANU, I., dr.; SAFTA, T, veterinar, dr.

Clinico-experimental study of some pulmonary complications after treatment with corticosteroids. Med. intern. (Bucur.) 16 no.4:413-420 Ap'64

1. Sectia I de boli interne, Laboratorul de medicina experimentală si Laboratorul de anatomie patologica din Spitalul militar central, Bucuresti.

\*

ZAMFIR, C., dr.; CIOBA, Gh., dr.; SANDU, G., dr.; MERCA, Z., dr.

Considerations on rheumatic coronaritis. Med. intern. 15 no.7:  
823-828 JI '63.

1. Lucrare efectuata in Sectia I de boli interne a Spitalului  
militar central, Bucuresti.

(CORONARY DISEASE) (RHEUMATIC HEART DISEASE)  
(HEART BLOCK) (ARRHYTHMIA)  
(ELECTROCARDIOGRAPHY) (ARTHRITIS, RHEUMATOID)

L 64573-65

RU/0012/64/000/006/0983/0991

ACCESSION NR: AP5023482

AUTHOR: Zamfir, C. (Major General, Doctor); Cioba, Gh. (Doctor in medical sciences, Doctor emeritus, Major, Doctor); Merca, Z. (Doctor, Captain); Iliescu, E. (Major Biochemist)

TITLE: Uropepsin levels in ulcers, in chronic hepatitis, and in hepatic cirrhosis, with some personal research

SOURCE: Revista sanitara militara, no. 6, 1964, 983-991

TOPIC TAGS: hepatitis, digestive system disease, tissue disease, biochemistry

ABSTRACT: A preliminary study of uropepsin levels in 22 cases of ulcers, 16 cases of post-virose chronic hepatitis, and 4 cases of decompensated hepatic cirrhosis showed the following:  
1. In ulcer cases no precise and permanent relationship was found between the quantity of uropepsin eliminated and the acidity of the gastric juice. 2. In post-virose chronic hepatitis and in hepatic cirrhosis the values of the uropepsin are

Card 1/2

L 64573-65

ACCESSION NR: AP5023482

invariably low, with no permanent connection with the acidity of the gastric juice. 3. The measurement of uropepsin cannot replace the direct analysis of the gastric juice, but when it is not possible to probe the patient, it can be used for diagnostic evaluation together with the regular methods.  
Orig. art. has: 1 formula, 2 tables.

ASSOCIATION: none

SUBMITTED: 00

NR REF SOV: 005

ENCL: 00

OTHER: 015

SUB CODE: LS

JPRS

*ml*  
Card 2/2

L 33715-66

ACC NR: AP6025154

SOURCE CODE: RU/0012/65/061/004/0573/0582

AUTHOR: Turcu, E. (Doctor; Lieutenant colonel); Sandu, G. (Doctor; Major); Marca, Z.  
(Doctor; Captain)

ORG: none

TITLE: Some considerations concerning cardiovascular emergencies in military units

SOURCE: Revista sanitara militara, v. 61, no. 4, 1965, 573-582

TOPIC TAGS: cardiovascular system, military medicine, cardiovascular system disease

ABSTRACT: A discussion of the principal clinical aspects of cardiovascular emergencies, namely acute dyspnea, palpitation precordial pains and loss of consciousness. The typical symptoms and usual therapeutic measures to relieve them are given under each item. [JPRS: 33,500]

SUB CODE: 06 / SUBM DATE: 30Jul64

Card 1/1 *50*

*0916*

*0503*

L 33709-66

ACC NR: AP6025167

SOURCE CCDE: RU/0012/65/061/004/0675/0685

AUTHOR: Cioba, G. (Doctor, Major); Strimbeanu, I. (Doctor, Colonel); Merca, Z. (Doctor, Captain)

11  
B

ORG: none

TITLE: Incidents and accidents involved in corticosteroid therapy

22

SOURCE: Revista sanitara militara, v. 61, no. 4, 1965, 675-685

TOPIC TAGS: corticosteroid, digestive system disease, endocrine system disease.  
ABSTRACT: The authors collected scattered reports of complications arising during corticotherapy and also present some observations related to their own experience. A summary of the absolute contraindications (gastroduodenal ulcers with complications, sugar diabetes, etc.) and some relative contraindications as well as advice to assure a good course of treatment are included. Orig. art. has: 7 figures. [JPRS: 33,500]

SUB CODE: 06/ SUBM DATE: 18Aug64/



MERCADER, J; KOVASSI, F

New central sets of rolls in the Lenin Metallurgic Works.

p. 18  
No. 5, Mar. 1955  
KOZLEMENYEI  
Budapest

SO: Monthl. List of East European Accessions (EEAL), LC, Vol. 5, no. 3  
March 1956

MERCABER, J.

Modern designing of rolls; grooving rolls for structural shapes; complete with the grooving of continuous wide-band rows. p. 150.  
(KOHASZATI IAPOR. Vol. 12, no. 4/5, Apr/May 1967, Budapest, Hungary)

SC: Monthly List of East European Accessions (MEMO) LC. Vol. , no. 12, Dec. 1967.  
Encl.

MERCADER, J.

TECHNOLOGY

PERIODICAL: KOHASZATI LAPOK. Vol. 13, no. 7, July 1958

Mercader, J. the shape of the roll surface used in hot-rolling sheets and wide strips. p. 317.

Monthly list of East European Accessions (EEAI) LC, Vol. 8, No. 2.  
February 1959, Unclass.

MERCADER, Jeno

Up-to-date design of rolls; grooving structural steel. Koh  
lap 12 no. 4/5:150-156 Ap-May '57.

1. Magyar Tudományos Akademia Acelgyartmany Albizottsaga.

MERCEA, E.; GHEORGHIU, C. (Bucuresti)

"Palynology in the U.S.S.R.; new data on the present tectonic movements in the western part of Azerbaijan and the eastern part of Georgia" by M.I. Weistadt. Reviewed by E. Mercea, C. Gheorghiu. Natura Geografie 14 no.6:88-89 N-D '62.

SILAS, I., ing.; GURAU, A., geolog; MURGU, M., ing.; RADUTA, T., ing.;  
MERCEA, E., ing.; BADULESCU, I., ing.; BRANISTE, r., geolog

Considerations on the choice of the most favorable distance  
between the exploration works of ore deposits. Rev min 14  
no.7:269-282 J1 '63.

STANESCU, Panait; MERCEA, Florian, ing., corespondent; PCSIRCARU,  
Alexandru; AVACUM, Mihail

Technological tests will start 20 days earlier. Constr  
Buc 16 no. 749:4 16 May '64.

1. Chairman of the Trade-Union, Committee of the Construction Site of Straw Paper and Cellulose concern Calarasi (for Stanescu).
2. The Galati Branch of the Voluntary Editorial Office of "Constructorul" (for Posircaru, Avacum).

MERCEA, Florian, ing., corespondent

For the next year. Constr Buc 16 no.776:1 21 N '64.



MATEESCU, D.; GADEANU, L.; SCHUCH, Elena; MERCEA, Gh.

Study of a joining by superposition performed with a seam of unilateral welding stressed to stretching. Bul St si Tehn Tim 9 no.1:277-285 Ja-Je '64.

BUCUR, R.; MERCEA, I.; MERCEA, V.

Study of some heat-conducting cells with a view to their utilization  
in the analysis of isotopes. Studii cer.fiz. 10 no.4:753-770 '59.

(EEAI 9:5)

(Heat)

(Isotopes)

(Gases)

BUCUR, R.; FODOR, T.; MERCEA, I.

A simple device for the exact measuring of thermal conductivity in  
gases. Studii cerc fiz 11 no.1:211-215 '60. (EAI 10:1)  
(Heat) (Gases)

MERCEA, I.; TINIS, L.

Utilization of the Ni-Raney catalyzer for the purification of hydrogen from oxygen. Rev chimie Min petr 13 no.7:430-431 JI '62.

L 39129-66 EWT(m)

ACC NR: AP6030349

SOURCE CODE: RU/0003/65/016/003/0162/0163

AUTHOR: Mercea, Judith

26  
B

ORG: none

19

TITLE: Simple analysis for some deuterium-labelled aqueous solutions

SOURCE: Revista de chimie, v. 16, no. 3, 1965, 162-163

TOPIC TAGS: blood serum, deuterium, gas chromatography, lithium aluminum hydride, tracer study, aqueous solution

ABSTRACT: The author describes a method for the analysis of acid and basic solutions, blood serum and urine solutions marked with deuterium. The hydrogen is obtained through the decomposition of the marked substance and the analysis is done by gas chromatography, using hydrogen of normal composition as eluent and a thermic conductivity cell as the detector. Results are given for the use of  $\text{CaH}_2$  and of  $\text{LiAlH}_4$  as decomposition agents. Orig. art. has: 3 figures and 1 table. [JFRS]

SUP CODE: 07, 18 / SUBM DATE: none / ORIG REF: 004 / OTH REF: 005

*me*  
Card 1/1

*Mercea J.*

RUMANIA/Atomic and Molecular Physics - Liquids

D-8

Abstr Jour : Ref Zhur - Fizika, No 5, 1958, No 10490

Author : Mercea V., ~~Mercea, Jr.~~ Ursu, I.  
Inst : Not Given  
Title : Viscosimeter With Rotating Disk

Orig Pub : Studii si cercetari fiz. Acad. RPR, 1957, 8, No 2, 135-141

Abstract : Description of a viscosimeter setup serving for the measurement of the viscosity of gases and gas mixtures. The predominant portion of the viscosimeter comprises two parallel disks, the gap between which can be varied. One of the disks is rotated by a motor at a constant angular velocity. The second disk is elastically coupled and, owing to the viscous friction of the gas located in the gap between the disks, lags the first one, rotating at a certain angle relative to the position of equilibrium. The angle of rotation is directly proportional to the viscosity of gas and is given by the formula  $\alpha = \pi R^2 \eta / 2bC$ , where R is the radius of the disk, b the thickness of the gap,  $\eta$  the viscosity of the gas, and C the constant of the instrument.

Card : 1/2

MERCEA, J.; URSU, I.; MERCEA, V.

Viscosimeter with rotating disk. In Russian. p. 45.

REVUE DE PHYSIQUE. JOURNAL OF PHYSICS. (Academia Republicii Populare Romine)  
Bucuresti, Rumania. Vol. 3, no. 1, 1958.

Monthly List of East European Accessions (MEAT) LC, Vol. 9, no. 7, July 1959.

Uncl.

MERCFA, V.; FODOR, E.; GRECU, V.

Separation in a column with steam distillation depending  
on the medium concentration of the mixture. Studia Univ  
B-B S. Math-Phys 7 no.1:137-147 '62.



MERCEA, V.

4

✓ 1337. Mercea, V., and Rozsa, M., Measurement of high temperatures based on the variation of viscosity with temperature (in Romanian), *Acad. Repub. Pop. Rom. Commun.* 5, 7, 1944-1946, 1955. 2

PM

Authors cleverly arrange four capillary tubes in a bridge circuit. A null-measuring technique allows determining the temperature of one of the capillaries if the others are at a fixed temperature and the temperature dependence of viscosity of the gas flowing in the capillaries is known. A calibration of the device up to 600 C against a Ni-Cr-Ni thermocouple showed a sensitivity of 2 to 10 C, depending on the flow rate of gas. Authors believe that this apparatus may be used up to 2000 C and with the measuring capillary as far as 31 m from the rest of the capillary bridge.

M. A. Santalo, USA

Santalo

MERCEA, V.

✓ 1236. Mercea, V., and Podor, E., Study of molecular flow and its application for gas analysis (in Rumanian), Acad. Repub. Pop. Rom. Commun. 5, 7, 1017-1052, 1953. 2

*[Handwritten initials]*

Authors study the characteristics of bridges comprising two porous plugs and two capillary tubes. They show analytically how a combination of molecular and viscous flow can be used in a null device to analyze mixtures of two gases. An experimental calibration of the method proposed did not give the accuracy of 1% expected by the authors. This is probably due to the sensitivity of the device to temperature. M. A. Santalo, USA

*[Handwritten signature]*

MERCEA, V.

2

*Handwritten:*  
21/10  
Final

1955. MEASUREMENT OF HIGH TEMPERATURES BASED ON THE VARIATION OF  
 VISCOSITY WITH TEMPERATURE. Mercea, V. and Reza, H. (Acad. Repub. Rep.  
 Rev. Gean. 5, 1955, (7), 1037-1045; abstr. in Appl. Mech. Rev., Apr. 1955,  
 vol. 9, 175). The authors arrange four capillary tubes in a bridge circuit.  
 A null measuring technique allows determining the temperature of one of the  
 capillaries if the others are at a fixed temperature and the temperature  
 dependence of viscosity of the gas flowing in the capillaries is known.  
 A calibration of the device up to 900°C against a Ni-Cr-Ni thermocouple showed  
 a sensitivity of 2° to 10°C, depending on the flow rate of gas. The apparatus  
 may be used up to 2000°C and with the measuring capillary as far as 30 m from  
 the rest of the capillary bridge. (L).

MERCEA, V.

Studies on electrolysis in undulating current. P. 1151  
COMUNICARILE Bucuresti Vol. 5, no. 8, Aug. 1955

SOURCE: EEAL LC Vol. 5, no. 7, July 1956

MERCEA, V.

F.

RUMANIA/Laboratory Equipment, Apparatus, Their Theory,  
Construction and Application.

Abs Jour : Ref Zhur - Khimiya, No 14, 1958, 46513

Author : V. Mercea, J. Mercea, I. Ursu.

Inst : Academy of Sciences of Rumania.

Title : Viscosimeter with Rotating Discs.

Orig Pub : Studii si cercetari fiz. Acad. RFR, 1957, 8, No 2, 135-  
141

Abstract : 2 models serving for continuous measurement of gas mixture viscosity are described. The main parts of the apparatus are 2 horizontal discs situated one above the other. The bottom disc rotates at a constant angular velocity, the top disc suspended on an elastic thread is drawn into motion by the viscous friction of gas between the discs. The angle of twist depends on

Card 1/2

RUMINIA/Physical Chemistry. Electrochemistry.

D

Abs Jour: Ref Zhur-Khim., No 5, 1959, 14774.

Author : Mercea V., Ursu, I., Vasaru Gh.

Inst :

Title : Study of Electrolysis by Superposing an Alternating Current on a Direct Current.

Orig Pub: Studii si cercetari fiz. Acad. RPR, 1957, 8, No 4, 479-489.

Abstract: An electrolytic cell, permitting the measurement of the potential of a metallic grid placed between the electrodes, has been applied for the study of the polarization of Cu, Zn and brass electrodes in 5% CuSO<sub>4</sub> and ZnSO<sub>4</sub> solutions. The electrodes and the grid were made of the same metal or alloy. The

Card : 1/2

MERCEA, V.; MERCEA, J.; URSU, I.

Viscosimeter with rotating disk. In Russian. p. 45.

REVUE DE PHYSIQUE. JOURNAL OF PHYSICS. (Academia Republicii Populare Romine)  
Bucuresti, Rumania. Vol. 3, no. 1, 1958.

Monthly List of East European Accessions (EEAI) LC, Vol. 8, no. 7, July 1959.

Uncl.

RUMANIA/Atomic and Molecular Physics - Heat.

D

Abs Jour : Ref Zhur Fizika, No 11, 1959, 24821

Author : Mercea, V., Ursu, I. 597

Inst :  
Title : Investigation of the Limit of Variations of the Viscosity of Oxygen as a Function of the Magnetic Field.

Orig Pub : Studii si cercetari fiz. Acad. RPR, 1958, 9, No 2, 277-278

Abstract : To measure small changes in the viscosity of gases, use was made of a new method which is more sensitive than those previously employed. The method is described. With the aid of this method the authors measured the effect of the magnetic variation of the viscosity of O<sub>2</sub> and of air upon passage through seven capillary tubes with different radii. A dependence of the observed effect on the radius of the capillary was observed. It is shown that an experimental determination of the magnetic

Card 1/2

COUNTRY : RUMANIA  
ALPHABET :

ABST. JOUR. : RZKhim., No. 5 1960, No.

AUTHOR : Mercea, V., Ursu, I., Buron, C., and Ursu, I.

INSTIT. :  
TITLE : The Automatic Regulation of Small Gas Flows

ORIG. PUB. : Studii si Cercetari Fiz. 10, No. 1, 47-54, 1960

ABSTRACT : Tests made of a device designed for the automatic regulation of small gas flows by electric means (capacitance-based transducer, electronic control) have shown that the device is capable of maintaining a given gas flow with fluctuations of not more than ±1% for gas pressure deviations of +50% from the set point. The device may be used for maintaining constant capillary gas flow rates apparatus for the separation of gases (chromatography).

V. Lyudskanov

CARD: 1/1



MERCEA, V.; URSU, I.; BAREU, D.

Study of some isotopic effects by means of a micromanometer with  
a paddle. Studii cerc fiz ll no.2:468-478 '60. (EEAI 10:1)  
(Micromanometer) (Isotopes) (Water)

FODOR, E.; MARAZAN, N.; MERCEA, V.; OLARIU, A.

Nitrogen influence on the reaction of isotopic exchange between hydrogen and watery vapors. Studii cerc fiz 14 no.1:7-23 '63.

1. Institutul de fizica atomica, Sectia Cluj, Universitatea "Babes-Bolyai" Facultatea de fizica, Cluj.

TUTELEA, Aviga, ing.; MERCEA, Viorica, ing.

New methods of collecting the dust in nonferrous metallurgy.  
Rev chimie Min petr 12 no.10:596-602 0 '61.

MERCEA, V., prof.; TURCU, Gr.

Stable isotopes in the study of cells. Med. intern. (Bucur).  
10 no.5:513-521 My'64

L 29886-66 EWP(t)/ETI IJP(c) JD

ACC NR: AFG020347

SOURCE CODE: RU/0003/65/016/008/0352/0358

AUTHOR: Mercea, Viorica; Turassy, Al.; Jako, I.; Fruchter, M.

32  
8

ORG: none

TITLE: Antimony extraction from the anodic mud obtained from the electrolytic refining of decoppered crude lead

SOURCE: Revista de chimie, v. 16, no. 8, 1965, 352-358

TOPIC TAGS: antimony, metal extracting, electrolytic refining, lead

ABSTRACT: The authors describe a method for the electrolytic processing of the anodic muds resulting from the electrolytic refining of crude lead. The electrolyte consists of antimony fluoride and buffers, and the cell of the diaphragm type -- pure antimony is deposited at the cathode. The antimony extraction yield is over 90 percent, and the remaining metals are easily extractable from the secondary mud. Orig. art. has: 2 figures and 7 tables. [Based on authors' Eng. abst.] [JPRS]

SUB CODE: 11 / SUBM DATE: none

Card 1/1

UDC: 669.753.7:669.447.004.8

I. 1.6280-66

ACC NR: AP6031212

SOURCE CODE: RU/0004/65/000/002/0046/0052

AUTHOR: Truta, Coriolan (Engineer; Craiova); Mereanu, Adrian (Craiova) 18

ORG: "Electroputere" Works, Craiova (Uzinele "Electroputere") B

TITLE: Determining the thermal field in transformer windings

SOURCE: Electrotehnica, no. 2, 1965, 46-52

TOPIC TAGS: electric transformer, temperature distribution

ABSTRACT: The authors present and analyze the temperature distribution in transformer windings and give a formula for calculating the temperature at the hottest point. The results are used to verify design techniques and methods of measurement. Orig. art. has: 11 figures, 6 formulas and 5 tables. [Based on authors' Eng. abst.] [JPRS]

SUB CODE: 09, 20 / SUBM DATE: 21May64 / ORIG REF: 001 / OTH REF: 002

Card 1/1

UDC: 621.3.017:621.314.2.045.53

0918 2645

MERCEL, Jan, inz.

Plan of the activities of the Technical Commission for Wood Industry for 1962. Drevo 17 no.2:57-58 F '62.

1. Tatra nabytok, Pravenec.

MERCEL, Jan, inz.

Experience in granting bonuses for technical development. Drevo  
19 no.5:175-176 My '64.

1. Tatra nabytok National Enterprise, Pravenec.



MERCEL, Jan, inz.

Exemplary assistance of furniture factories. Drevo 19 no.3:  
114 Mr'64

LAPIS, Karoly, az orvostudományok kandidátusa; MERCER, E.H., dr.

Electromicroscopic morphology of the NK-Ly ascites lymphoma cells of the mouse and their deformations caused by cytostatic agents. Biol orv kozl MTA 13 no.4:345-363 '62.

1. Onkopathologiai Kutató Intézet, Budapest. (for Lapis).
2. Chester Beatty Research Institute of Cancer Research: Royal Cancer Hospital (for Mercer).

38187

S/058/62/000/004/124/160  
A061/A101

128150

AUTHORS: Bragiński, A., Merceron, Th.

TITLE: Magnetic relaxation spectra in the  $Mn_xFe_{3-x}O_{4+y}$  system

PERIODICAL: Referativnyy zhurnal, Fizika, no. 4, 1962, 49, abstract 4E424  
("Chekhosl. fiz. zh.", 1961, v. B11, no. 9, 688 - 690, English)

TEXT: The bridge method was used to study the de-accomodation of magnetic permeability  $DA = (\mu_0 - \mu_{30})/\mu_0$  in  $Mn_xFe_{3-x}O_{4+y}$  ferrites at a frequency of 1 kc in the temperature range from liquid N to the Curie point.  $\mu_0$  and  $\mu_{30}$  denote magnetic permeabilities of the ferrite 1 sec and 30 sec after demagnetization, respectively. Two different relaxation zones were established in the high-temperature range. The peak of one zone is below 200°C, and its temperature changes little with the concentration of cation vacancies. The peak of the other zone is above 200°C, and its position depends on the concentration of vacancies, which is characterized by the parameter  $\gamma$ . If the material is sintered in oxygen-rich atmosphere, the latter relaxation zone shifts toward the low-temperature range until it is superimposed on the former.

[Abstracter's note: Complete translation]

N. Smol'kov

Card 1/1

MERCHA, V.

COUNTRY : Rumania  
CATEGORY :

F

ABS. JOUR. : RZKhim., No. 20 1959, No. 71309

AUTHOR : Mercha, V.; Mercha, Zh.; Ursu, I.  
INST. : Rumanian Academy  
TITLE : A Rotary-Disk Viscosimeter

ORIG. PUB. : Rev. phys. Acad. RPR, 1958, 3, No 1, 45-50

ABSTRACT : Description of a laboratory-scale and of the industrial model of a viscosimeter for continuous analysis of binary mixtures of gases. The principal part of the apparatus consists of two parallel, horizontally disposed disks, between which is introduced the mixture under study. The bottom disk is rotated by a motor at a constant speed; the top disk is suspended on a torsion tape (in the laboratory model) or on vertical spring-shaft (in the industrial model). The angle of deflection  $\alpha$  of the disk is directly proportional to the viscosity  $\eta$  of the mixture, when all other values are preset. The distance between top- and bottom disk can be varied by means of an

CARD: 1/2

MERCHA, Zh.

COUNTRY : Rumania  
CATEGORY :

F

ABS. JOUR. : RZKhim., No. 20 1959, No. 71309

AUTHOR : Mercha, V.; Mercha, Zh.; Ursu, I.  
INST. : Rumanian Academy  
TITLE : A Rotary-Disk Viscosimeter

ORIG. PUB. : Rev. phys. Acad. RPR, 1958, 3, No 1, 45-50

ABSTRACT : Description of a laboratory-scale and of the industrial model of a viscosimeter for continuous analysis of binary mixtures of gases. The principal part of the apparatus consists of two parallel, horizontally disposed disks, between which is introduced the mixture under study. The bottom disk is rotated by a motor at a constant speed; the top disk is suspended on a torsion tape (in the laboratory model) or on vertical spring-shaft (in the industrial model). The angle of deflection  $\alpha$  of the disk is directly proportional to the viscosity  $\eta$  of the mixture, when all other values are preset. The distance between top- and bottom disk can be varied by means of an

CARD: 1/2

MERCHANSKIY, Diomid Pavlovich; PIVEN', V.N., inzh., retsenzent;  
YAKOBSON, M.O., doktor tekhn. nauk, prof., retsenzent;  
POGODIN, B.A., inzh., red.; CHFAS, M.A., red.izd-va;  
SHCHETININA, L.V., tekhn. red.

[Gear cutting]Zuboreznoe delo. Moskva, Mashgiz, 1962. 211 p.  
(MIRA 16:3)

(Gear cutting)

Merchenko, L. N.

USSR/ Mining - Conferences

Card 1/1 Pub. 124 - 27/39

Authors : Mel'nikov, N. V., Memb. Corres., Acad. of Sc., USSR, and Merchenko, L. N.,  
Cand. of Tech. Sc.

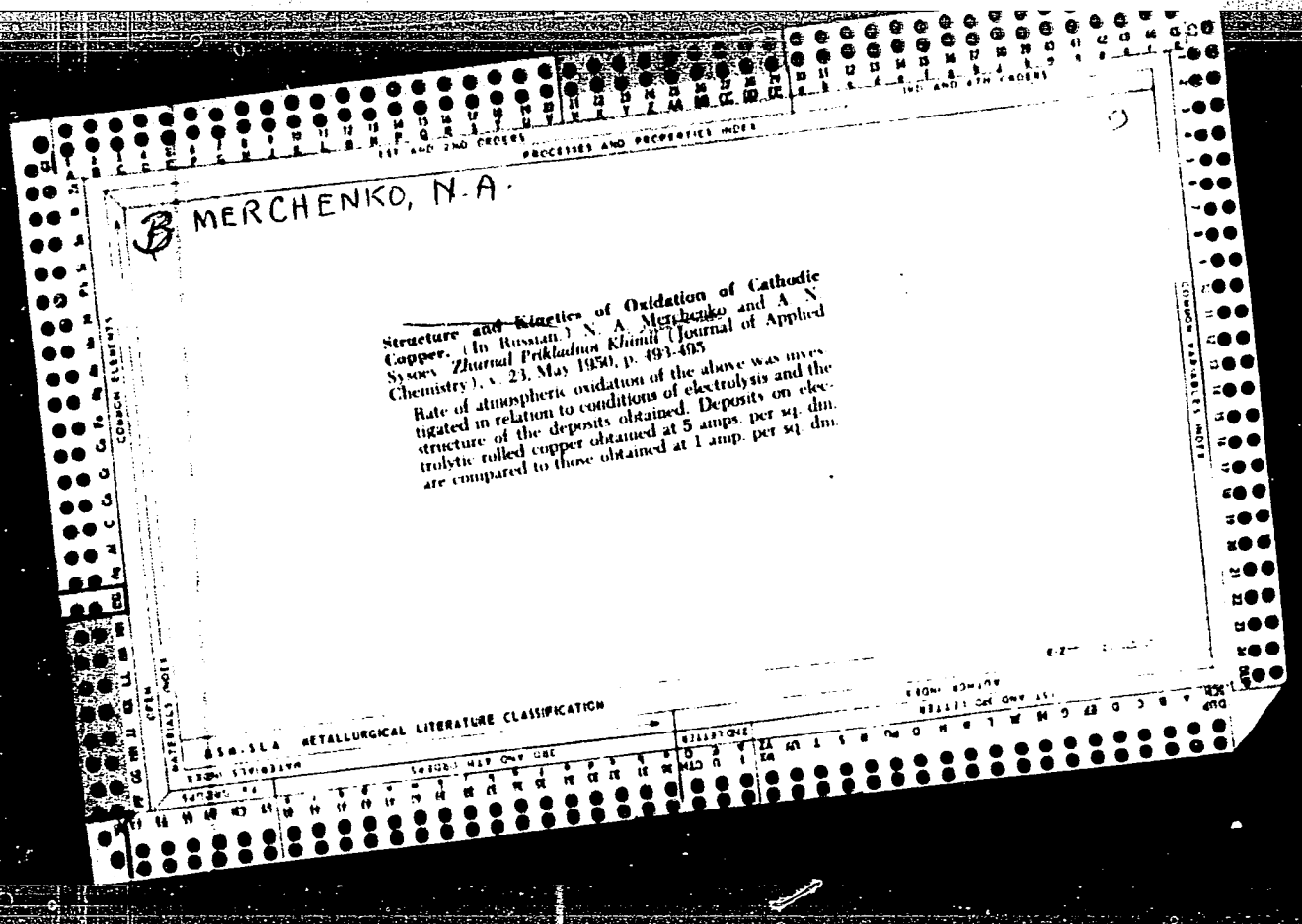
Title : Theory of the demolition of rocks through explosion

Periodical : Vest. AN SSSR 26/2, 123-124, Feb 1956

Abstract : Minutes are presented from the conference held at the Mining Inst. of  
the Acad. of Sc., USSR where lectures were held on the theory of rock  
destruction through explosion.

Institution : .....

Submitted : .....





KASHKIN, P.N., GLUKHOVTSEV, B.V., KONDRAT'YEVA, A.A., MERCHENKOVA, F.G.

Some indications of authenticity of the candidial nature of complications  
in antibiotic therapy. Antibiotiki, 3 no.3:118-122 My-Je '58  
(MIRA 11:7)

1. Leningradskiy nauchno-issledovatel'skiy institut antibiotikov.  
(MONILIASIS, etio., & pathogen.  
antibiotic ther., verification (Rus))  
(ANTIBIOTICS, inj. effects,  
moniliasis, verification (Rus))

MERCHES, Ioan

"Problems on the theory of hard and mild interaction of elementary particles." Reviewed by Ioan Merches. Studii fiz tehn Iasi '14 no.1:251 '63.

MERCIK, Leszek

Studies on the method of determining the yield of cleaned wool of Polish Merino sheep, the Polish black face and the Polish long-wool sheep when applying nomograms. Roczn. nauk roln. zootechn. 84 no.3:545-565 '64.

1. School of Agriculture, Olstyn.

GORSKI, Marian; MERCIAK, Stanislaw

Long period experiments on rye fertilization. Postepy nauk roln 8  
no.4:17-27 J1-Ag '61.

1. Katedra Chemii Rolniczej, Szkoła Główna Gospodarstwa Wiejskiego,  
Warszawa.