

LYSIKOV, A. V.

Cand Med Sci - (diss) "Significance of unchanged salt dressing  
in caring for umbilical cord remainder in newborn infants."  
Simferopol's, 1961. 19 pp; (Khar'kov State Med Inst); 200  
copies; price not given; (KL, 7-61 sup,260)

LYSIKOV, A. V.

Changes in the umbilical stump of newborn infants under the influence of sodium chloride and alcohol. Akush. i gin. no.3:78-81 '61.  
(MIRA 14:12)

1. Iz kafedry akusherstva i ginekologii (zav. - prof. B. N. Moshkov) pediatricheskogo i sanitarno-gigiyenicheskogo fakul'tetov Dnepropetrovskogo meditsinskogo instituta i Melitopol'skogo ob'yedinnennogo rodit'nogo doma (glavnyy vrach L. V. Borovskikh)

(UMBILICUS) (SALT--PHYSIOLOGICAL EFFECT)  
(ALCOHOL--PHYSIOLOGICAL EFFECT)

LYSIKOV, A.V., kand. med. nauk

Use of circular silk sutures in the ventrofixation of the uterus. Akush.  
i gin. no.6:105-108 N-D '63. (MIRA 17:12)

1. Iz kafedry akusherstva i ginekologii (zav. - prof. B.N.Moshkov)  
pediatricheskogo i sanitarno-gigiye-nicheskogo fakul'tetov Dnepropetrovskogo meditsinskogo instituta, Melitopol'skogo ob'yedinennogo  
rodil'nogo doma (glavnyy vrach L.V.Borovskikh) i ob'yedinennoy bol'nitsy (nachal'nik A.T.Temuryants) stantsii Simferopol'.

ONISHCHENKO, Yu.A., kand. tekhn. nauk; LYSIKOV, B.A., gornyy inzh.

Some results of the study of the physicommechanical  
properties of coals and rock in the Donets Basin. Ugol'  
38 no.12:35-37 '63. (MIRA 17:5)

1. Institut gornogo dela im. M.M. Fedorova.

NIKOLIN, V.I.; LYSIKOV, B.A.

Effect of the depth of occurrence of rocks in the Donets Basin on  
their physical and mechanical properties. Ugol' 39 no.12:26-29  
D '64. (MIRA 18:2)

1. Makeyevskiy nauchno-issledovatel'skiy institut po bezopasnosti  
truda v gornoy promyshlennosti.

NIKOLIN, V.L., kand. tekhn. nauk; LYSIKOV, B.A., inzh.; SVERZHEVSKIY, V.L.,  
inzh.

Strength properties of sandstone at great depths. Shakht. stroi.  
9 no.3:15-17 Mr '65. (MIRA 18:7)

1. Makeyevskiy nauchno-issledovatel'skiy institut po bezopasnosti  
rabot v gornoy promyshlennosti (for Nikolin). 2. Donetskii poli-  
tehnicheskii institut (for Lysikov). 3. Trest Artemgeologiya  
(for Sverzhevskiy).

LYSIKOV, G.T., inzh.

Measuring the efficiency of railroad transportation in strip  
mining. Ugol' 34 no.4:32-33 Ap '59. (MIRA 12:7)  
(Strip mining) (Mine railroads)





LYSIKOV, M.G., inzhener; MESHCHERSKIY, N.A., inzhener; SEBRYAKOV, G.Ye., inzhener.

New instruments for the electrometric control of feed water and steam.  
Elek.sta. 25 no.3:48-51 Mr '54. (MLRA 7:6)  
(Steam boilers) (Automatic control)

LYSIKOV, M. G.

AID P - 1527

Subject : USSR/Electricity

Card 1/1 Pub. 26 - 23/36

Authors : Demina, K. F., Eng., Lysikov, M. G., Eng., and  
Rubtsova, M. Ya., Technician

Title : Colorimetric detection of oxygen in feed water and other  
solutions

Periodical : Elek. sta., 3, 51-52, Mr 1955

Abstract : The authors made a series of test according to a method  
described by R. L. Babkin in this journal, 1954, No.1.  
One drawing

Institution: None

Submitted : No date

AUTHOR: Lysikov, M.G.; Bacherikov, Ye.P. SOV-90-58-8-7/9

TITLE: The Test Results of a Soda-regenerative Water-softener (Rezultaty ispytaniya sodoregenerativnogo vodoumyagchitelya)

PERIODICAL: Energeticheskiy byulleten', 1958, Nr 8, pp 19 - 23 (USSR)

ABSTRACT: In the water-softener, a mixture of soda-cationized and fresh water is first passed through a cascade heater worked off live steam and in which thermal de-aeration takes place. The water is then mixed with the alkaline agents and subjected to subsequent precipitation of the scale-forming agents by the introduction of a soda solution. For the purpose of the experiments, the water-softener was first tested without additional alkalization and then with the addition of a dose of 5% calcined soda solution at 2 mg-equiv/l and with an increase in the ratio of fresh to cationized water. In the first case, a satisfactory decrease in relative alkalinity but insufficient softening was observed. In the second, greater softening took place at the expense of increased alkalinity, which would lead to scavenging of the boiler. The results are shown in Table 1. The water-softener thus lowers the relative alkalinity of the boiler water and concentrates the scale introduced by the boiler water

Card 1/2

The Test Result of a Soda-regenerative Water-softener SOV-90-58-8-7/9

through the constant scavenging action, but suffers from the defects of low softening action and an excess of slime in the softened water. This would lead to secondary scaling-up of the heat-exchanging surfaces of the boiler. Some constructional deficiencies of the water-softener are pointed out. In conclusion, the authors support the soda-lime precipitation method carried out in small spiractors at increased temperatures followed by purification of the softened water in small centrifugal scale-separators (hydrocyclones). This would permit practically scale-less operation by the boiler. In the editorial note to the article, it is pointed out that some of the constructional defects mentioned by the authors could be due to overloading the softener during testing, and that the lowered softening action could be caused by the exceptional acidity of the fresh water used and the lack of hydrates surplus in the softened water. There is 1 block diagram, 1 table and 1 Soviet reference.

1. Water softeners--Test methods
2. Water softeners--Test results

Card 2/2

LYSIKOV, V.

Cotton Growing--Moldavia

First tests of cotton growing in Central Moldavia. Khlopkovodstve No. 4, 1952

9. Monthly List of Russian Accessions, Library of Congress, August 1953<sup>2</sup> Unclassified.

LYSIKOV, V. N.

Dissertation: "Results of a Study of the Stock Material in the Selection of Cotton Plants in the Moldavian SSR." Cand Agr Sci, Kishinev Agricultural Inst, 21 May 54. Sovetskaya Moldaviya, Kishinev, 8 May 54.

SO: SUM 284, 26 Nov 1954

LYSIKOV, V.N., kand.sel'skokhozyaystvennykh nauk

Studying the starting material for cotton breeding in the Moldavian  
S.S.R. Trudy Kish. sel'khoz. inst. 3:23-42 '55. (MIRA 11:7)  
(Moldavia--Cotton breeding)

LYSIKOV, V. N.

KOVARSKIY, A.Ye., doktor sel'skokhozyaystvennykh nauk; LYSIKOV, V.N., kand.  
sel'skokhozyaystvennykh nauk.

First collection of articles ("Research work in agricultural colleges"  
by A.F. Golikov and A.N. Litvinenko. Reviewed by A.E. Kovarskii and  
V.N. Iysikov). Zemledelie 5 no.11:95-96 N '57. (MIRA 10:11)

1. Kishinevskiy sel'skokhozyaystvennyy institut.  
(Agricultural research)  
(Golikov, A.F.) (Litvinenko, A.N.)



LYSIKOV, V.N., kand. sel'skokhoz. nauk

Influence of ionized radiations on corn. *Agrobiologiya* no.1:  
143-146 Ja-F '64 (MIRA 17:8)

1. Kishinevskiy sel'skokhozyaystvennyy institut.

LYSIKOV, V.N.

Production of new corn forms by  $\gamma$ -and neutron irradiation of  
pollen. Radiobiologiya 5 no.4:623-624 '65. (MIRA 18:9)

LYSIKOV, V.N.

Studying the formative effect of the environment on the  
progeny of the "Corn grass" type mutation of corn.  
Agrobiologia no.3:458-460 My-Je '65.

(MIRA 18,11)

1. Kishinevskiy sel'skokhozyaystvennyy institut.

LYSIKOV, V.N.

Radiomutation of corn. Genetika no.3:44-48 S '65.

(MIRA 18:12)

1. Kishinevskiy sel'skokhozyaystvennyy institut imeni M.V.  
Frunze. Submitted April 13, 1965.

DERYABIN, V.I.; ZVEREV, A.M.; LYSIKOV, V.P.; UDARTSEV, Ye.P.

Building of a 47-ton displacement cruising yacht.  
Sudostroenie 26 no.6:37-38 Je '60. (MIRA 13:7)  
(Yacht building)

s/056/63/044/001/008/067  
B108/B180AUTHORS: Korotkov, K. A., Kabachenko, A. P., Lysikov, Yu. A., Dobrov,  
Yu. V.TITLE: Internal bremsstrahlung which accompanies the  $\beta$ -decay of  $\text{Ca}^{45}$ PERIODICAL: Zhurnal eksperimental'noy i teoreticheskoy fiziki, v. 44,  
no. 1, 1963, 45 - 47

TEXT: The bremsstrahlung was measured at 40 - 215 keV on a single-channel scintillation spectrometer with an NaI(Tl) crystal in an aluminum container. The  $\text{Ca}^{45}$  beta sources were prepared from a solution of calcium chloride and powdered  $\text{CaCO}_3$  applied to and covered by a methacrylate film of  $0.1 \text{ mg/cm}^2$ . The sources were kept at a pressure of 1 mm Hg. The spectrum was compared with that calculated according to the theory of J. K. Knipp and G. E. Uhlenbeck (Physica, 3, 425, 1936) and P. Bloch (Phys. Rev., 50, 272, 1936). At low energies (60 - 130 keV) both curves agree very well, but at higher energies the discrepancy is considerable (35% at 215 keV) and cannot be eliminated by taking the Coulomb effect into consideration. There is 1 figure.

Card 1/2

Internal bremsstrahlung which ...

S/056/63/044/001/008/067  
B108/B180

ASSOCIATION: Voronezhskiy gosudarstvennyy universitet (Voronezh State University)

SUBMITTED: July 1, 1962



Card 2/2

LYSIKOVA, I. N.

27992. LYSIKOVA, I. N. -- Tsitologiya ranevogo eksudata pri khronicheskikh osteomielitakh ognestrel'nogo proiskhozhdeniya. Trudy pervoy nauch. Mezhrasp. Konf-tsii po lecheniyu invalidov otechestv. Voyny v sred. Azii. Tashkent, 1949, S. 147-61.

SO: Letopis' Zhurnal'nykh Statey. Vol. 37, 1949.



PINEGIN, G.N., mladshiy nauchnyy sotrudnik; LYSIKOVA, V.M., nauchnyy sotrudnik; PORCHKHIDZE, S.A., ~~nauchnyy sotrudnik~~; SEMINA, N.A., nauchnyy sotrudnik; SOLOPOV, A.V., nauchnyy sotrudnik; RADUS, A.I., nauchnyy sotrudnik; STEL'MAKH, F.N., nauchnyy sotrudnik; YEFIMOV, P.L., otvetstvennyy red.; PROTOPOPOV, V.S., red.; FLAUM, M.Ya., tekhn. red.

[Manual for the preparation of aerological yearbooks] Rukovodstvo po podgotovke aerologicheskikh ezhegodnikov. Leningrad, Gidrometeor. izd-vo. Pt.3. [Temperature sounding of the atmosphere] Temperaturnoe zondirovanie atmosfery. 1958. 126 p. (MIRA 11:9)

1. Russia (1923- U.S.S.R.) Glavnoye upravleniye gidrometeorologicheskoy sluzhby. 2. Glavnaya geofizicheskaya observatoriya (for Pinegin). 3. Tsentral'naya aerologicheskaya observatoriya (for Lysikova, Porchkhidze, Semina, Solopov). 4. Nauchno-issledovatel'skiy institut aeroklimatologii (for Radus, Stel'makh). (Radio meteorology)

LYSIN, P. S.

Lysin, P. S and Kornilovich, YU. YE. "Roman cement from Kiev spongy  
clay," Izvestiya Kiyevsk. Politekhn. in-ta, Vol. VIII, 1948 (on cover: 1949), p. 289-92

SO: U-5241, 17 December 1953, (Letopis 'Zhurnal 'nykh Statey, No. 26, 1949)

LYSIN, B. S.

Lysin, B. S. and Dazhuk, K. V. "High quality china from Ukrainian raw materials,"  
Izvestiya Kiyevsk. politekhn. in-ta, Vol VIII, 1948 (on cover: 1949), p. 292-98, -  
Bibliog; 5 items.

SO: U-5241, 17 December, 1953, (Letopis 'Zhurnal 'nykh Statey, no. 2, 1949)

LYSIN, B.S., diysny chlen; KORNILOVYCH, Yu.Ye.

Study of the structure of construction binding materials by the cementographic method. Dop.AN URSS no.3:147-155 '51. (MLRA 6:9)

1. Akademiya nauk Ukrayins'koyi RSR (for Lysin). (Adhesives)



LYSIN, B.S.; KORNILOVICH, Yu.Ye.

Study of the structure of structural solutions by reflected light. *Dopovidi*  
Akad. Nauk Ukr. R.S.R. '53, No.1, 25-8. (MIRA 6:4)  
(CA 47 no.21:11689 '53)

LYSIN, B. S.

Journal of The American Ceramic  
Society June 1, 1954  
Cements, Limes and Plasters

(2)

Silicate cement from a mixture of lime and clay. B. S. LYSIN  
AND B. P. SAKHAROV. *Dopovidi Akad. Nauk Ukr. R.S.R.*, 1953,  
No. 2, pp. 93-98. —Charges of (a) CaO and clay and (b) CaCO<sub>3</sub>  
and clay were fired at 600° to 1450°C. Determinations were  
made of free lime, CO<sub>2</sub>, and losses on firing. The crystal struc-  
ture of clinkers was also studied. The process of alite formation  
was faster in a than in b. The structure in clinker from a was  
perfect, and the strength of cement from a was equivalent to that  
of Russian cement grades 400 and 600. B.Z.K.

*Lysen, B.S.*

✓ Microstructure of corroded cement solutions. B. S.  
Lysin and Yu. E. Kornilovich (Polytech. Inst., Kiev).  
Dopovid Akad. Nauk Ukr. S.S.R. 1954, No. 2, 123-7.  
(Russian summary).—Sulfates, CO<sub>2</sub>, and sugar consider-  
ably decreased the mech. strength of cement solns. Micro-  
structures of the corroded cements for each corrosive agents  
are specific. The cementographic method can be used for  
the investigations of different questions of corrosion of the  
cement solns. and concretes. M. Charmandarian



LYSIN, B.S.

~~The microstructure of ancient [cement] structural binders  
of Kiev. B. S. Lysin and Yu. E. Kornilovich (Polytech.  
Inst., Kiev). *Doklady Akad. Nauk Ukr. R.S.R.* 1955,  
5(4-1) (Russian summary).--Five cement samples were  
taken from the old Kiev Synode Building. The micro-  
structures are shown, and strength tests are tabulated.  
H<sub>2</sub>O, SiO<sub>2</sub>, Al<sub>2</sub>O<sub>3</sub>, Fe<sub>2</sub>O<sub>3</sub>, TiO<sub>2</sub>, CaO, MgO, and SO<sub>3</sub> were  
detd. Werner Jacobson~~

*2*  
*Journal*  
*PM*

21-50-7-10/27

**AUTHORS:** Lysin, B.S., Member of the AS UkrSSR, and Rodnina, V.V.

**TITLE:** Investigations of the Crystallization of Stone Castings  
(Icsledovaniya kristallizatsii kamennogo lit'ya)

**PERIODICAL:** Dopovidi Akademii nauk Ukrain's'koi RSR, 1958, No 7, pp 760-763 (USSR)

**ABSTRACTS:** Items made of stone castings have a high strength (crushing resistance from 3,000 to 5,000 kg per sq cm), a high chemical resistance, and important dielectric properties. The Ukrainian SSR is rich in natural rocks suitable for the manufacture of stone castings. In spite of these favorable circumstances, this promising branch of industry is not well developed. The reasons are: insufficient knowledge of physico-chemical processes occurring during crystallization and a low stage in casting technology. Therefore, the authors investigated some processes taking place during the crystallization of stone castings, in particular of some clays, slags and silicon masses. Experiments showed that during slag crystallization, the volume decreases by 6 to 11.8 %. Optimum crystallization temperatures were determined for melts of various compositions. The temperatures

Card 1/2

Investigations of the Crystallization of Stone Castings 21-58-7-18/27

were measured in the center and at the surface of slag and glass castings, and it was concluded that slag castings must be cooled down very slowly in order to avoid cracking. There is 1 table and 1 graph.

ASSOCIATION: Kiyevskiy politekhnicheskiy institut (Kiyev Polytechnic Institute)

SUBMITTED: January 30, 1958

NOTE: Russian title and Russian names of individuals and institutions appearing in this article have been used in the transliteration.

1. Rock--Applications
2. Rock--Properties
3. Slags--Casting
4. Clays--Casting
5. Glass--Casting
6. Castings--Crystallization

Card 2/2

LYSIN, B.S., akademik; ALEKSENKO, N.V.

Studying the physical and mechanical properties of expanding Portland cement during setting. Dop.AN URSR no.8:1098-1101 '60. (MIRA 13:9)

1. Kiyevskiy politekhnicheskii institut. 2. AN USSR (for Lysin).  
(Portland cement)

LYSIN, B.S., akademik; BARSHCHEVSKIY, F.A. [Barshchevs'kyi, F.A.]

Studying the physical and chemical properties of Dnieper marl as a raw material for the production of local adhesives. Dop. AN URSS no.9:1258-1262 '60. (MIRA 13:10)

1. Kiyevskiy politekhnicheskii institut. 2. AN USSR (for Lysin).  
(Marl) (Cement)

LYSIN, B.S., akademik; CHEREPOVA, O.V.

Investigation of tinless and leadless enamels. Dop. AN URSR no.2:  
219-221 '61. (MIRA 14:2)

1. AN USSR (for Lysin).  
(Enamel and enameling)

LYSIN, B.S., akademik; LAZHUK, K.V.; VISHNEVSKIY, B.I. [Vyshnevs'kyi, B.I.]

Study of the composition and properties of the stoneware made  
from Ukrainian raw materials. Dop. AN URSR no.10:1343-1346 '64.  
(MIRA 17:12)

1. Nauchno-issledovatel'skiy institut stroitel'nykh materialov.
2. AN UkrSSR (for Lysin).

L 04710-67 EWT(d)/EWT(m)/EWP(w)/EWP(L)/EWP(v)/EWP(K)/EWP(K)/EWP(I) LJP( ) TG/EM

ACC NR: AP6031278 SOURCE CODE: UR/0229/66/000/008/0024/0026

AUTHOR: Alekseyev, V. V.; Livshits, I. I.; Lysin, V. L.

ORG: none

TITLE: Several reasons for fractures in hydrofoil propeller shafts

SOURCE: Sudostroyeniye, no. 8, 1966, 24-26

TOPIC TAGS: hydrofoil, shipbuilding engineering

ABSTRACT: Fractures in the conical ends of hydrofoil propeller shafts (under the propeller hubs) have led to tensometric studies of the port shaft of a twin-screw hydrofoil. Measurements were made on three shaft sections (see Fig. 1) while proceeding on a straight course and at various course angles when turning; force 1 to 3 [3 to 10 knots per hour] winds and 0.25- to 1.25-m waves prevailed.

Curves representing measured stresses relative to rpm showed a sinusoidal character, with two sharp rises occurring as the vessel lifted onto its fore and aft foils; stresses at low rpm showed maximum values in the vertical plane, and in the horizontal plane at high rpm. The characteristics of the measured oscillations indicated that beginning at a certain speed a bending moment arose due to the eccentrically acting propeller

Card 1/3

27  
B

14 ————— 23

24 ————— 24



L 04710-67

ACC NR: AP6031278

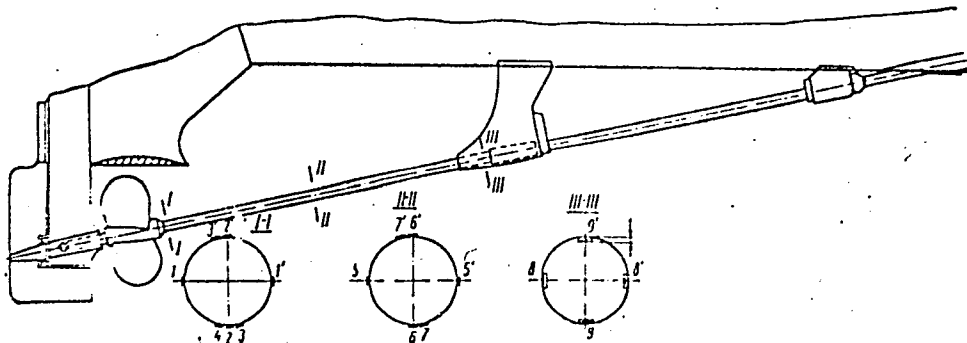


Fig. 1. Hydrofoil twin-screw shafting arrangement

I-I, II-II, III-III - Measured sections; 1-1 to 9-9 - locations of pairs of tensometers.

thrust in the horizontal plane and the Magnus effect, both acting in the same direction.

As to the above-mentioned fracture, fatigue tests with the shaft material revealed an insufficient safety factor for this section of the shaft. In air, a smooth specimen of the shaft material showed a two times higher fatigue strength than in sea water. The presence of two stress con-

Card 2/3

L 04710-67

ACC NR: AP6031278

centrations in the conical part of the shaft, i.e., at the keyway and where the propeller hub is fitted, are important in determining the safety factor. To avoid an excess stress concentration, the propeller must be fitted hydraulically; to increase the fatigue strength the conical hub-shaft fitting must be reliably sealed against sea water. Orig. art. has: 2 figures, 2 formulas and 2 tables. [ATD PRESS: 5087-F]

SUB CODE: 13 / SUBM DATE: none / ORIG REF: 003

Card 3/3 EV

LYSINA, U. G.

②  
Changes in the blood protein fractions in intoxication with carbon disulfide. G. O. Lysina (Kiev Inst. Ind. Hyg. and Occupational Diseases). *Gigiena i Sanit.* 1954, No. 6, 62. CS<sub>2</sub> intoxication leads to a decline of blood protein to 6-6.5% with an increase of the globulin fraction and decrease of the albumin. Fibrinogen remains near the lower limits of normality. This indicates a disturbed liver function. Erythrocyte sedimentation is retarded. G. M. Kosolapoff

LYSINA, G.G. Cand Med Sci (diss) "Materials on intoxication  
through carbon disulphide. (Clinical-experimental <sup>studies</sup> ~~observations~~)"  
Kiev, 1957 15 pp 20 cm. (Kiev Order of Labor Red Banner Med  
Inst in Acad<sup>emical</sup> A.A. Bogomolets), 100 copies  
(KL, 11-57, 100)

LYSINA, G.G. (Kiyev)

Condition of the internal organs in chronic hydrogen sulfide  
poisoning. Gig. truda i prof. zab. 2 no.6:54-56 N-D '58  
(MIRA 11:12)

1. Institut gigiyeny truda i profzabolevaniy.  
(HYDROGEN SULFIDE--TOXICOLOGY)

~~LYSINA, G.G.~~

Some early manifestations of the action of small doses of  
ionizing radiation. Vrach.delo no.4:381-383 Ap'58 (MIRA 11:6)

1. Klinika professional'nykh zabolevaniy (zav. - prof. B.A.  
Krivoglaz) Kiyevskogo instituta gigiyeny truda i professional'nykh  
zabolevaniy).  
(RADIATION--PHYSIOLOGICAL EFFECT)

LYSINA, G.G.

Materials on carbon disulfide intoxication. Vrach.delo no.12:  
1283-1285 D '56. (MIRA 12:10)

1. Kiyevskiy institut gigiyeny truda i professional'nykh  
zabolevaniy.

(CARBON DISULFIDE--TOXICOLOGY)

USSR/Human and Animal Physiology- The Effect of Physical Factors. T  
Ionizing Radiation.

Abs Jour : Ref Zhur Biol., No 3, 1959, 13378  
Author : Lysina, G.G.  
Inst : ~~USSR Academy of Sciences~~  
Title : Some Early Manifestations of the Effect of Small  
Doses of Ionizing Radiation  
Orig Pub : Vrachebn. delo, 1958, No 4, 381-384  
Abstract : No abstract.

Card 1/1

- 149 -



LYSINA, G. G., kand. med. nauk

Changes in the peripheral blood during treatment for vibration sickness and occupational neuromyositis using ultrasonics, Vrach. delo no.3:129-131 Mr '62. (MIRA 15:7)

1. Klinika Instituta gigiyeny truda i profzabolevaniy (rukovoditel' - prof. B. A. Krivoglaz).

(VIBRATION—PHYSIOLOGICAL EFFECT)  
(ULTRASONIC WAVES—THERAPEUTIC USE)  
(OCCUPATIONAL DISEASES)  
(BLOOD—EXAMINATION)

LYSINA, G. G., kand. med. nauk (Kiyev)

Effect of small doses of ionizing irradiations on the state of  
oxidative processes. Vrach. delo no.7:109-114 J1 '62.  
(MIRA 15:7)

1. Klinika instituta gigiyeny truda i professional'nykh zabo-  
levaniy.

(RADIATION—PHYSIOLOGICAL EFFECT)  
(OXIDATION, PHYSIOLOGICAL)

L 58390-65 ENG(j)/ENG(r)/EWT(1)/FS(v)-3/ENG(v)/ENG(s)-2/ENG(c) Pe-5 DD

ACCESSION NR: AP5015003

UR/0240/65/000/006/0095/0096

613.647-07:616.155+616.155-02:613.647

AUTHOR: Lysina, G. G. (Candidate of medical sciences)

TITLE: Changes in the morphological state of the blood brought about by UHF

SOURCE: Gigiyena i sanitariya, no. 6, 1965, 95-96

TOPIC TAGS: microwave, UHF, biological effect, blood morphology, reticulocyte

ABSTRACT: The author studied 100 people who were chronically exposed to UHF (frequency and radiation intensity not given). This group was made up of researchers and industrial workers who had been exposed to UHF less than 3 years (37 people), 3-5 years (28 people), and over 5 years (35 people). Ages ranged from 20-45 years. A second group of 103 people served as a control in the study. The 100 test subjects were divided into 2 groups: group 1-those who were exposed daily to intensities slightly exceeding the permissible threshold value, and group 2-those who were exposed to intensities somewhat less than the permissible threshold value (no numerical values given). The subjects often complained of general weakness, lowered working capacity, increased irritability, headaches, dizziness, and unpleasant sensations in the heart region. Objective examinations revealed functional disruptions

Card 1/4

L 58390-65

ACCESSION NR: AP5015003

characteristic of autonomic disruption with a predominance of tonus in the parasympathetic branch. Cardiovascular changes included pulse lability (inclination toward bradycardia), dullness of heart tones, and functional systolic noise. These changes often coincided with lowered arterial pressure and indices of autonomic dystonia. Studies of blood morphology concentrated on qualitative and quantitative indices including the number of reticulocytes and basophile granules. There was an insignificant change in erythrocyte content ( $p > 0.5$ ) in people exposed to UHF. The number of reticulocytes was increased (variation 10--20%) in 14% of the subjects exposed to UHF, compared to 8.7% of the control group. Reticulocytosis was most often observed in subjects who had been exposed to UHF for more than 3 years. Of particular interest were changes in red blood as reflected in the quantitative increase in basophile granules. Basophilia is often encountered in anemia, malaria, and particularly in lead and benzol poisoning. A quantitative increase in basophile granules is observed in personnel exposed to ionizing radiations. Their presence often precedes the development of hypochromic anemia. In 30% of the cases, erythrocyte sedimentation was slowed. This is most likely associated with the condition of the autonomic nervous system, in particular, autonomic neurosis which leads to slowed sedimentation. No cases of increased sedimentation were noted. Cases of leukopenia and leukocytosis were almost equivalent in test and control groups.

Card 2/4

L 58390-65

ACCESSION NR: AP5015003

Table 1 of the Enclosure shows basophile granule content in test subjects. The table indicates that basophile granules should be considered as one of the manifestations of the effects of UHF. It is suggested that basophile granule determinations be conducted periodically on people working around UHF sources. Orig. art. has: 1 table. [CD]

ASSOCIATION: Kiyevskiy nauchno-issledovatel'skiy institut gigiyeny truda i profzabolevaniy (Kiev Scientific Research Institute of Industrial Hygiene and Occupational Diseases)

SUBMITTED: 22Jan64

ENCL: 01

SUB CODE: LS

NO REF SOV: 006

OTHER: 002

ATD PRESS: 4043

Card 3/4

L. 58390-65

ACCESSION NR: AP5015003

ENCLOSURE: 01

0

Table 1. Basophile content in workers exposed to UHF

Group no. (and no. of people)	Lack of basophile granules	Basophile granule content per 10,000 normal erythrocytes	
		1-10	10+
1 (33)	6	16	11
2 (67)	15	29	23
Total	21	45	34

Card 4/4

SLOBODYANIK, I.Ya., kand.tekhn.nauk; LYSINA, L.B., inzh.

Cementless binders and concretos based on Aleksandriya  
brown-coal cinders. Stroi.mat. 5 no.11:38 N '59.  
(MIRA 13:3)

(Binding materials) (Cinder blocks)

SLOBODYANIK, Ignat Yakovlevich [Slobodiansyk, I.IA.], kand.tekhn.nauk;  
PASHKOV, Igor' Aleksandrovich [Pashkov, I.O.], kand.tekhn.nauk;  
CHUPRUNENKO, Yekaterina Vasil'yevna [Chuprunenko, IE.V.], kand.  
tekhn.nauk; CHERKASOV, Nikolay Antonovich [Cherkasov, M.A.], kand.  
tekhn.nauk; LYSINA, Nina Borisovna, inzh.; RUBINOVICH, Esfir'  
Abramovna, inzh.; PAL'CHIK, Petr Karpovich, inzh.; LITVINENKO,  
Melan'ya Dmitriyevna, inzh.; SVARICHEVSKIY, Lyubomir Vladimirovich  
[Svorycheva'kyi, L.V.], inzh.; OSOVSKAYA, I. [Osova'ka, I.], red.;  
ZELENKOVA, Ye. [Zelenkova, IE.], tekhn.red.

[Local binding materials based on new raw materials of the Ukraine]  
Mistsevi v'iazhuchi na novii syrovyni Ukrainy. Za zahal'noi red.  
I.IA.Slobodiansyka. Kyiv, Derzh.vyd-vo lit-ry z budivnytstva i  
arkhit.URSR, 1960. 115 p. (MIRA 13:10)  
(Ukraine--Binding materials)



LYSKANOV, Gavril Andreyevich; SLOYEV, L.N., red.

[Experience in building a dam of the frozen type in Yakutia] Opyt stroitel'stva plotiny merzlovo tipa v Iakutii. Iakutsk, Iakutskoe knizhnoe izd-vo, 1964.  
69 p. (MIRA 17:6)

LYSKANOWSKI, Marcin

Ludwik Perzyna and his views on the etiology and therapy of mental disorder. Neurol. neurochir. psychiat. Pol. 14 no. 2: 339-341 Mr-Apr '64.

Adolf Rothe and his initiative in caring for patients discharged from psychiatric hospitals. Ibid.:343-346

1. Z Panstwowego Szpitala dla Nerwowo i Psychiczniew Chorych w Drewnicy (Dyrektor: dr med. Z.Jaroszewski).

LYSKANOWSKI, Marcin

In Memoriam Alfred Sokolowski. Wiadomosci lek. 7 no.2:136-139  
Feb. 54.

(BIOGRAPHIES,  
Sokolowski, Alfred M.)

LYSKANOWSKI, Marcin

Henryk Dobrzycki, his life and activities. Wiadomosci lek. 7 no.9:  
504-506 Sept 54.

(BIOGRAPHIES,  
Dobrzycki, Henryk)

LYSKANOWSKI, M., Warszawa, ul. Szczeciwicka 25 m.26

History of Polish hospitals in Warsaw (1775) Wiadomosci lek. 7

no.11:603-604 Nov 54.

(HOSPITALS, history  
in Poland)

LYSKANOWSKI, Marcin

Pages from the history of psychiatry. On problems of pharmacological psychiatric therapeutics in Poland during the 19th century. Neurol. neurochir. psychiat. pol. 13 no.1:107-109 '63.

1. Z Panstwowego Szpitala dla Nerwowo i Psychiczenie Chorych w Drewnicy Dyrektor: dr med. Z. Jaroszewski.  
(PSYCHOPHARMACOLOGY)  
(HISTORY OF MEDICINE, XIX CENTURY)

LYSKANOWSKI, Marcin

Unknown psychiatric works from the XVII century. Neurol. neuro-  
chir. psychiat. pol. 13 no.2:283-284 '63.

1. Z Panstwowego Szpitala dla Nerwowo i Psychicznie Chorych  
w Drawnicy Dyrektor: dr med. Z. Jaroszewski.  
(PSYCHIATRY) (HISTORY OF MEDICINE, XVII CENT)

LYSKIN, N F

Kolkhoz Na Krutom Pod'yeme (The Kolkhoz on a Steep Grade)  
Moskva, Sel'khozgiz, 1954.  
207 p. Illus.

Sc: 638n/5  
722.101  
.L9



LYSKIN, N.F.

Kolkhoz na krutom pod''eme (Collective  
farm on a rapid upswing) (Moskva?) Gos. izd-vo sel.-  
khoz. lit-ry, (1954?) 208 p.

SO: Monthly List of Russian Accessions, Vol. 7, No. 5, August 1954

LYSKIN, N. F.

USSR/Agriculture - Collective farms

Card 1/1 : Pub. 77 - 17/22

Authors : Lyskin, N. F., delegate to the Supreme Council of the USSR, chairman of the collective farm in Stalin in Novo-Alexandrovsk district, Stavropol region

Title : Comforting changes

Periodical : Nauka i Zhizn' 8, 36-38, Aug 1954

Abstract : Combining several collective farms into a large one made it possible to use large tractors and modern methods in farming and, a consequent increase in profits. Previously one hectare of land yielded only 100 roubles profit annually; four years after the unification the gross receipts were 18,000,000 roubles. Illustrations.

Institution : .....

Submitted : .....

LYSKIN, Nikolay Fadeyevich; BENYUMOV, O.M., redaktor; FURMAN, G.V.,  
tekhnikheskiy redaktor

[Development of the diversified economy of the "Rossiia" Collective Farm; from the practice of the "Rossiia" Collective Farm, Grigoripol, Novo-Aleksandrovsk district, Stavropol Territory] Razvitie mnogo-otraslevogo khoziaistva kolkhoza "Rossiia"; iz opyta kolkhoza "Rossiia" staniy Grigoripol'skoi Novo-Aleksandrovskogo raiona Stavropol'skogo kraia. Moskva, Izd-vo "Znanie," 1956. 47 p. (Vsesoiuznoe obshchestvo po rasprostraneniuiu politicheskikh i nauchnykh znanii. Ser.5, no.28) (MLRA 9:11)

1. Predsedatel' kolkhoza "Rossiya, deputat Verkhovnogo Soveta SSSR  
(for Lyskin)  
(Collective farms)

LYSKIN, Nikolay Fadeyevich; SULKOVSKAYA, M.A., redaktor; FEDOTOVA, A.F.,  
tekhnicheskiy redaktor

[Collective farms in the sixth five-year plan; practices of the  
"Rossia" agricultural artel in Stavropol Territory] Kolkhoz v  
shestoi piatiletke; iz opyta sel'skokhoziaistvennoi arteli "Rossia"  
Stavropol'skogo kraia. Moskva, Gos. izd-vo selkhoz. lit-ry, 1956.  
183 p. (MLRA 10:1)

(Collective farms)

BTR

19

10604\* The Problem of Pulsations in Boiler Fireboxes  
When Burning Gas. (Russian.) A. K. Lykii. *Za Ekonomiku*  
*Topliva*, v. 9, Apr. 1952, p. 12-13.  
Tests proved that pulsations are caused by nonuniform mixing  
of gas and air. Turbulent burners reduced fuel consumption by  
10-15%.

*Fuel Abstracts*

*Steam Racing Steam  
Engines 11/1952*

4656. PROBLEM OF PULSATI NS IN BOILER FURNACES WHEN BURNING  
GAS. Lyakii, A.K. (Za Ekon Topliva (Fuel Econ.), Apr. 1952,  
12, 13). Tests proved that pulsations are caused by nonuniform mixing of gas and  
air. Turbulent burners reduced fuel consumption by 10-15%. (L) B.L.R.

LYSKIY, A. K.

Steam Boilers

Experience with the acidification of alkaline water for stem boilers. Sakh. prom., 26, no. 1, 1952.

Monthly List of Russian Accessions, Library of Congress, April 1952. Unclassified.

LYSKIY, A. K.

Steam Boilers

Repairing regulators and gauges of the boiler room. Sakh. prom. 26 no. 6 (1952)

Monthly List of Russian Accessions, Library of Congress, August 1952. Unclassified.



LYSKIY, A.K.

Organization of a chemical laboratory in thermoelectric power  
stations. Sakh.prom. 28 no.7:18-19 '54. (MIRA 8:1)  
(Steam power plants) (Chemical laboratories)

LYSKIY, A.K.

USSR/Chemical Technology - Chemical Products and Their Application. Water Treatment. S.wage Water. I-11

Abs Jour : Referat Zhur - Khimiya, No 4, 1957, 12740

Author : Lyskiy A.K.

Title : Ammonium-Sodium Cathionite Treatment at a Sugar Refinery

Orig Pub : Sakharnaya prom-st', 1955, No 7, 20-22

Abstract : Strongly alkaline water of predominantly temporary hardness, according to these recommendations, should be treated when utilized as steam boiler feed (at sugar refineries) in accordance with a scheme of parallel  $\text{NH}_4$ -Na cationite treatment: a portion of the water passed through a  $\text{NH}_4$ - cationite, the other portion through a Na-cationite. Quantitative proportion of either water can vary. Operation according to this scheme is conducted during the period that precedes availability at the refinery of production condensates, after which only the Na-cationite treatment is utilized.

Card 1/2

- 164 -

USSR/Chemical Technology - Chemical Products and Their  
Application. Water treatment. Sewage water.

I-11

Abs Jour : Referat Zhur - Khimiya, No 4, 1957, 12740

With a relatively short period of utilization of the  
NH<sub>4</sub>-Na cationite treatment, the detrimental effects of  
NH<sub>3</sub> on the component parts of turbines and equipment  
are not observed.

Card 2/2

- 165 -

LYSKIY, A.I.

Causes of priming of boiler water in the Shpanov Sugar Factory.  
Sakh.prom. 30 no.12:43-46 D '56. (MLRA 10:1)  
(Feed water)

LYSKIY, A.K., inzh.

Causes of the decrease of evaporative capacity of boilers. From.  
energ. 18 no.8:32-33 Ag '63. (MIRA 16:9)  
(Boilers)

LYSKIY, A.K.

Damages of the tubes of boilers equipped with external cyclones.  
Sakh. prom. 37 no.4:34-36 Ap '63. (MIRA 16:7)

1. Kiyveenergotaladka.  
(Boilers)

LYSKO, V. A., inzhener.

Cutter for removing chamfered edges on end of pipes. Mor.1 rech.flot 13  
no.5:31 S '53. (MIRA 6:10)  
(Pipes)

LYSKO, V. A.

USSR/Engineering - Machine Tools

Card 1/1

Author : Lysko, V. A.

Title : Device for milling polyhedrons

Periodical : Stan. 1 Instr. 24/4, 36, April 1953

Abstract : The author proposes a device for increasing milling production by increasing the rate of feed. He explains the device with a drawing. The device is adaptable to milling bolts with hexagonal heads and the sides of nuts, but may also be used for milling parts with varying numbers of sides.

Institution : ....

Submitted : ....



LYSKO, V. A.

USSR/Engineering - Tools

Card 1/1

Author : Lysko, V. A.

Title : Cutters with Attached Cutting Edges

Periodical : Stan. i Instr. Ed. 1, 3/4, Jan/1954

Abstract : A comprehensive critical analysis of cutting tools designed by V. A. Kolesov is presented. The author points out several shortcomings of the above mentioned tools, and presents a modified design of a cutter in which these shortcomings have been eliminated. Drawing.

Institution : .....

Submitted : .....

LYSKO, V. A.

USSR/Engineering - Tap wrenches

Card 1/1 : Pub. 103 - 18/23

Authors : Lysko, V. A.

Title : Tap wrenches for screw dies

Periodical : Stan. 1 instr. 8, 35-36, Aug 1954

Abstract : The author points out the shortcomings of the existing tap wrenches, and presents a new improved design of the above tool. Short description and specifications for the new tool are given. Drawings.

Institution : .....

Submitted : .....

LYSKO, V.

**LYSKO, V.**

Pneumatic tool for cleaning surfaces. Mor. 1 rech. flot 14 no.7:  
27-29 J1 '54. (MLRA 7:7)  
(Pneumatic tools)

LYSKO, V., inzhener.

Milling cutters for milling the surface of propeller blades.

Mor. 1 rech.flot 14 no.11:29 N '54. (MLBA 7:11)

(Milling machines) (Propellers)

LYSKO, V. A.  
USSR/Miscellaneous----machine construction

Card 1/1

Author : Lysko, V. A., engineer

Title : Device for making lead wire

Periodical : Vest. mash. 34/3, 71-72, Mar/1954

Abstract : In the measurement of clearances in turbines and piston engines, lead wire 0.2-0.3 mm in diameter is used. The author explains a method of making such wire. His wire is softer and more exact in its measurement.

Institution : .....

Submitted : .....

МЯГО, В. М.; ШЕННИКОВ, Л. П.

Brickmaking

One-hundred thousand bricks in twenty-four hours from the production line (production of the Nizhn-kotel'skii Brick Yard). For. Khoz. Mosk. 26 no. 4:22-23 Apr. 1952.

Monthly List of Russian Accessions, Library of Congress, July 1952. U.S. DEPT. OF STATE.

4  
LYSKO, V.; SIDERMAN, E., inzhener; SHEYNMAN, Ye., inzhener; ARGENTOV, S.

What gave us the introduction of progressive methods in drying  
and kilning. Stroi.mat.3 no.1:17-18 Ja '57. (MLRA 10:3)

1. Glavnyy inzhener Nizhne-Kotel'skogo kirpichnogo zavoda (for Lysko)
2. Glavnyy inzhener Kuchinskogo kirpichnogo zavoda (for Argentov)  
(Brickmaking) (Kilns)

ACC NR: AP7000346

(N)

SOURCE CODE: UR/0413/66/000/022/0109/0110

INVENTOR: Yanovskiy, V. Ya.; Lysko, V. V.

ORG: none

TITLE: Transducer for measuring towing force during underwater tests. Class 42, No. 188718 [announced by the Scientific-Research and Design Institute for Test Equipment, Instruments, and Means for Measuring Mass (Nauchno-issledovatel'skiy i konstruktorskiy institut ispytatel'nykh machin, priborov i sredstv izmereniya mass)]

SOURCE: Izobreteniya, promyshlennyye obraztsy, tovarnyye znaki, no. 22, 1966, 109-110

TOPIC TAGS: acceleration transducer, pressure transducer, ~~test method~~

ABSTRACT: An Author Certificate has been issued for a transducer for measuring towing force during underwater tests. The transducer consists of a housing containing an elastic element in the form of a closed stirrup with stems, an electric transformer, and a towing shackle connected articulately with a cylindrical pin. To eliminate the influence of hydrostatic pressure on measurements, the cylindrical pin connecting the movable stem of the elastic element and the towing shackle is brought out through side openings in the housing; syphon seals are used to make the openings airtight. Orig. art. has: 1 figure. [KT]

SUB CODE: 20,13/4/ SUBM DATE: 27May65/

Card 1/1

UDC: 531.781





SOKOLOV, N.V., kand. tekhn. nauk; BURKOV, G.G., inzh.; KRASIL'NIKOV,  
L.A., inzh.; GOLOMAZOV, V.A., inzh.; BOBYLEVA, S.F.; LYSKOV,  
I.K.; Primali uchastiye: BREZHNEV, I.S.; SHCHETKIN, L.I.;  
YERMATSKAYA, A.M.; ANDRIANOVA, A.L.; SILANT'YEV, L.A.;  
NADEZHDINA, A.A.; LAKHMOSTOVA, F.S.; DEMENT'YEV, V.F.

Improvement of the processes of manufacturing high-strength,  
steel brass plated wire. Stal' 24 no.8:756-759 Ag '64.  
(MIRA 17:9)

1. Beloretskiy staleprovolochno-kanatnyy zavod.

SOV/123-59-15-59886

Translation from: Referativnyy zhurnal. Mashinostroyeniye, 1959, Nr 15, p 140 (USSR)

AUTHOR: Lyskov, L.

TITLE: Protecting Silver Plating From Darkening

PERIODICAL: Za tekhn. progress. Byul. Novosib. sovnarkhoza i oblsoprofa, 1958,  
Nr 9 - 10, p 70

ABSTRACT: In order to protect silver plated contacts, employed in the radio-  
industry, from oxidation a method of treating them for 30 seconds in a  
solution containing 10% of  $\text{CrO}_3$  has been worked out. In comparison  
with the treatment in a solution of HCl this method is more effective:  
silver plated contacts grow dark after 7 days after having been treated  
in a 10%  $\text{CrO}_3$  solution, while they darken already after 3 days when  
treated in a HCl solution.

Card 1/1

REYMAN, V.M.; LYSKOV, L.M.; ZAVALKO, Ye.V.; PALATNYI, P.S.

Recent tectonic movements in the Vakhsh Valley. Dokl. AN  
Tadzh. SSR 2 no.2:13-19 '59. (MIRA 13:4)

1. Institut geologii AN Tadzhikskoy SSR. Predstavleno chlenom-  
korrespondentom AN Tadzhikskoy SSR R.B. Baratovym.  
(Vakhsh Valley--Geology, Structural)

68999

S/025/60/001/04/035/061  
D048/D002

25x 25,1000

AUTHOR: Lyskov, M., Engineer

TITLE: An Automatic Line Consisting of Two Machines

PERIODICAL: Nauka i zhizn', 1960, Nr 4, pp 66-67 (USSR)

ABSTRACT: An original "MR-107"<sup>14</sup> automatic line of the Stankozavod imeni Sergo Ordzhonikidze (Machine Plant imeni Sergo Ordzhonikidze) is on display in the "Machine-Building" pavilion at the Exhibition of the Achievements of the USSR National Economy. This unusual line consists of two semi-automatic hydro-copying lathes and a special device for transferring the products from one machine to the other. At the line, all possible stepped shafts with cylindrical, conic and shaped necks with a diameter up to 90 and a length of up to 380 mm are fully machined. The use of a special hydraulic track system makes it possible to machine the whole profile of any

Card 1/2

68999

S/025/60/001/04/035/061  
D048/D002

An Automatic Line Consisting of Two Machines

configuration under optimum conditions. The composition of the line, the construction of the transfer device and the loading and unloading mechanism guarantee a free access to the working instruments and minimum waste of time (in all 9-10 seconds) for loading and unloading. The working efficiency of these combined machines increases by 1.5 - 2 in comparison with separately operating machines. In the near future, such automatic lines will be widely used at plants for mass production. There is 1 photograph.

Card 2/2

LYSKOV, M.I., inzhener; MARKOV, I.G., inzhener.

Modernized presses. Bum.prom. 31 no.5:24-25 My '56. (MLBA 9:8)  
(Papermaking machinery)

*LYSKOV, M.I.*

LYSKOV, M.I., inzh.; KHVATT, S.P., inzh.-ekonomist.

Paper industry of the Ukraine. Bum.prom. 32 no.11:15-20 H '57.

(MIRA 11:1)

(Ukraine--Paper industry--History)



LYSKOV, M.I.

Mechanization of the operations involved in the preparation of  
reeds. Bum.prom. 36 no.3:20-23 Mr '61. (MIRA 14:4)

1. Glavnyy spetsialist Gosudarstvennogo nauchno-tekhnicheskogo  
komiteta USSR.

(Reed (Botany))

ZISLIN, B.D. (Sverdlovsk, ul. Griboyedova, 20, kv.9); FORSHTADT, V.M.; LYSKOV,  
P.G.; TURBINA, N.V.

Control of cardiac rhythm in pulmonary and pleural surgery. Vest. khir.  
92 no.3:15-19 Mr '64. (MIRA 17:12)

1. Iz otdeleniya legochnoy khirurgii (rukovoditel' - kand. med. nauk  
M.L.Shulutko) Sverdlovskogo gorodskogo protivotuberkuleznogo dispan-  
sera (glavnyy vrach - Ye.S.Gubina) i Instituta gigiyeny truda i pro-  
fessional'noy patologii (dir. V.A.Mikhaylov).

LYSKOV, V.A., inzhener.

Device for producing lead wire. Vest.mash. 34 no.3:71-72 Mr '54.  
(MIRA 7:4)  
(Wire)

LYSKOV, V. P. Dr. Tech. Sci.

Dissertation: "Application of the Rayleigh's, Chaplygin's and Temple's Method for solving Certain Problems of Stability and Vibrations of an Elastic System in a medium with Linear Characteristics." Central Sci. Res. Inst. of Industrial Structures-TsNIPS, 8 Dec 47.

SO: Vechernyaya Moskva, Dec, 1947 (Project #17836)