

KOKSHARSKIY, Nikolay Sergeyeovich; KULESHOV, V.N., otv. red.;
SIDOROVA, T.S., red.

[Technical and economic premises in planning means and
structures for wire communications] Tekhniko-ekonomiche-
skie obosnovaniia pri proektirovanii sredstv i sooruzhenii
provodnoi svyazi. Moskva, Svyaz', 1965. 189 p.
(MIRA 18:8)

KULESHOV, Vasilii Nikolayevich; GAVRILYUK, V.V., kand. tekhn.
nauk, otv. red.; BATRAKOVA, T.A., red.

[Long-distance cable communication lines] Mezhdugorod-
nye kabel'nye linii sviazi. Moskva, Sviaz', 1965. 262 p.
(MIRA 18:7)

1. KULESHOV, V. N., LEBEDEV, A. F.

2. USSR (600)

4. Medicine, Rural

7. New advances in rural public health; conference of progressive rural physicians in Vinogradov. V. N. Kuleshov, A. F. Lebedev. Sov. zdrav. 12, No. 1, 1953.

9. Monthly List of Russian Accessions, Library of Congress, May 1953. Unclassified.

ARIKHBAYEVA, Nina Vasil'yevna; KULESHOV, V.N., red.

[Organization of work in a maternity home] Organiza-
tsiia raboty rodil'nogo doma. Moskva, Meditsina, 1965.
73 p. (MIRA 18:12)

VEDMED', I.V., kand.tekhn.nauk; KULESHOV, V.P., inzh.; ROMERO, B.N., inzh.

Experimental testing of a throttle wetting system.

Energomashinostroenie 8 no.1:41-44, Ja '62.

(MIRA 15:3)

(Condensers (Steam))

KULESHOV, V.T.

Simple method for determining the pressure in anesthetic equipment. Zdrav. Bel. 9 no.3:88-89 Mr'63 (MIRA 16:12)

1. Iz kliniki gosptal'noy khirurgii (zav. kafedroy - prof. I.B. Gleshkevich) Vitebskogo meditsinskogo instituta.

KULESHOV, V.T.

Simple method for determining the pressure in anesthetic equipment. Zdrav. Bel. 9 no.3:88-89 Mr'63 (MIRA 16:12)

1. Iz kliniki gospi-tal'noy khirurgii (zav. kafedroy - prof. I.B. Oleshkevich) Vitebskogo meditsinskogo instituta.

Report 1957, V.V.

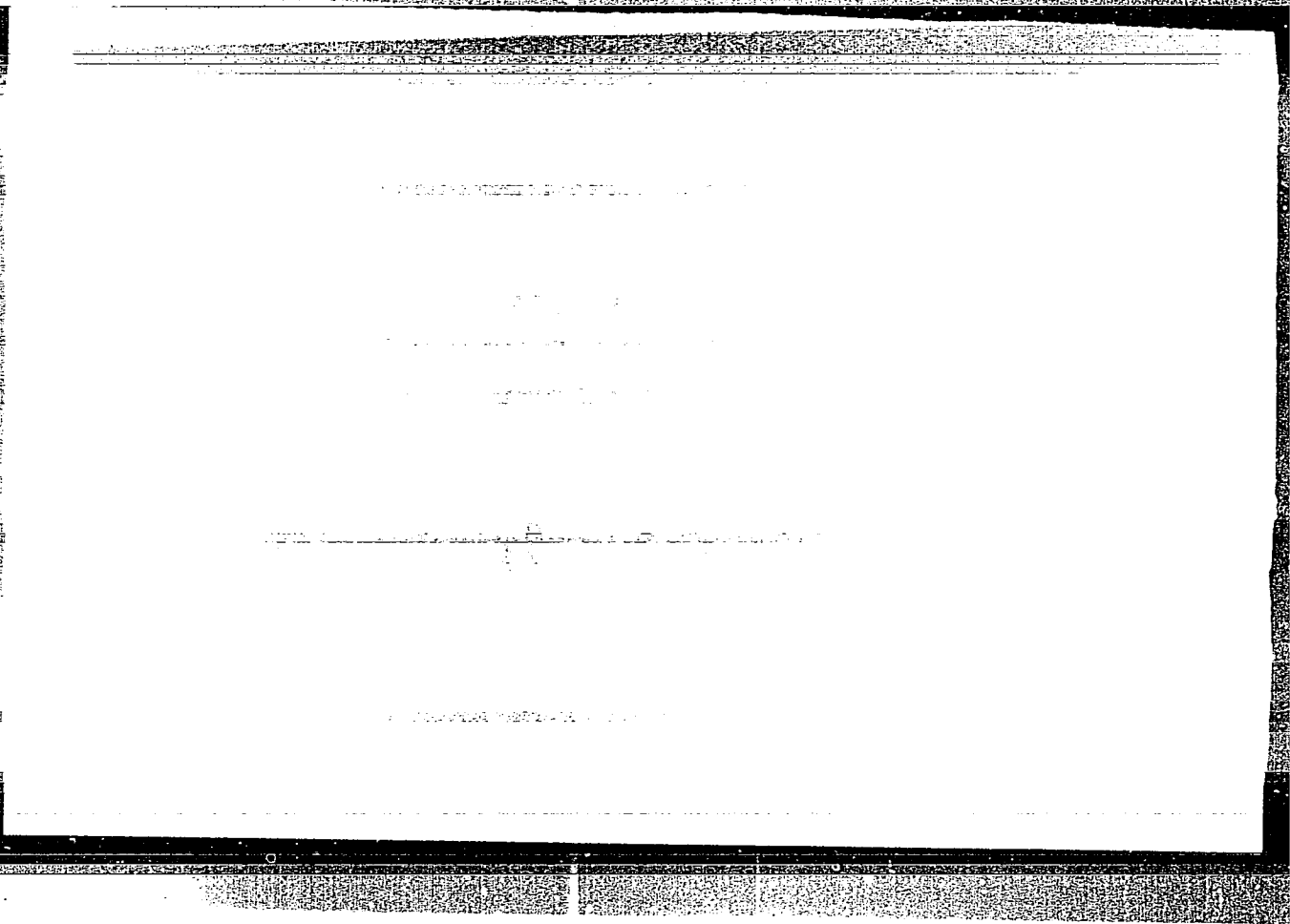
DROZHZHIN, I.A., inzhener; KULESHOV, V.V., tekhnik.

Freezing ice in packs with salt layers. Vest.TSNII MPS no.1:60-
61 F '57. (MLRA 10:3)

(Ice--Manufacture)

KULESHOV, V.K.

09



"APPROVED FOR RELEASE: 08/23/2000

CIA-RDP86-00513R000927410012-5

APPROVED FOR RELEASE: 08/23/2000

CIA-RDP86-00513R000927410012-5"

"APPROVED FOR RELEASE: 08/23/2000

CIA-RDP86-00513R000927410012-5

APPROVED FOR RELEASE: 08/23/2000

CIA-RDP86-00513R000927410012-5"

"APPROVED FOR RELEASE: 08/23/2000

CIA-RDP86-00513R000927410012-5



APPROVED FOR RELEASE: 08/23/2000

CIA-RDP86-00513R000927410012-5"



"APPROVED FOR RELEASE: 08/23/2000

CIA-RDP86-00513R000927410012-5



APPROVED FOR RELEASE: 08/23/2000

CIA-RDP86-00513R000927410012-5"

"APPROVED FOR RELEASE: 08/23/2000

CIA-RDP86-00513R000927410012-5

APPROVED FOR RELEASE: 08/23/2000

CIA-RDP86-00513R000927410012-5"

"APPROVED FOR RELEASE: 08/23/2000

CIA-RDP86-00513R000927410012-5



APPROVED FOR RELEASE: 08/23/2000

CIA-RDP86-00513R000927410012-5"

"APPROVED FOR RELEASE: 08/23/2000

CIA-RDP86-00513R000927410012-5

APPROVED FOR RELEASE: 08/23/2000

CIA-RDP86-00513R000927410012-5"

"APPROVED FOR RELEASE: 08/23/2000

CIA-RDP86-00513R000927410012-5

APPROVED FOR RELEASE: 08/23/2000

CIA-RDP86-00513R000927410012-5

"APPROVED FOR RELEASE: 08/23/2000

CIA-RDP86-00513R000927410012-5

APPROVED FOR RELEASE: 08/23/2000

CIA-RDP86-00513R000927410012-5"

KULESHOV, Ya.

Interconnection of two low-tension feeders. Zhil.-kom.khoz.
9 no.2:16 '59. (MIRA 12:5)

1. Glavnyy inzhener tresta "Mosoblenergo, "g.Perovo, Moskovskoy
oblasti.

(Perovo--Electric power distribution)

BACHELIS, D.S.; GEL'MAN, R.Ye.; DUTKIN, G.S.; KULESHOV, Ya.G.;
NIKULIN, N.V.; RYVKIN, G.A.; SADKIN, P.I.; SMIRNOV, A.D.;
SOLOV'YEV, P.F.; KHALIZEV, G.P.; SMIRNOV, A.D., inzh., red.;
SOLOV'YEV, P.F., red.; BORUNOV, N.N., tekhn. red.

[Manual for electricians in two parts] Spravochnik elektrotehnika
v dvukh tomakh. Pod obshchei red. A.D.Smirnova. Moskva, Gos-
energoizdat. Vol.1. 1962. 479 p. (MIRA 15:5)
(Electric engineering--Handbooks, manuals, etc.)

SIFRONOV, V.I., tehnik; ZIMEL'S, L.Sh., inzh.; KOZYULIN, A.S., inzh.;
KULESHOV, Ya.T., inzh.

Discussion of F.S. Popov's article "Construction of 6 to 10 kv
mast substations" and A.A. Priakhin's article "Is it proper to
transfer the line cutout of a 10 kv mast substation to the end
pole of an electric power transmission line?" Energetik 8
no. 10:22-24 0 '60. (MIRA 14:1)

(Electric lines--Overhead)
(Popov, F.S.)

(Electric substations)
(Priakhin, A.A.)

ATABEKOV, V.B.; KULESHOV, Ya.T.; FRIDKIN, I.A.; YABLONSKIY, L.S.;
ALEKSEYEV, V.P., red.; BALKOVSKAYA, I.Z., red. izd-va;
KHENOKH, F.M., tekhn. red.

[Handbook on municipal electric networks and substations]
Spravochnik po gorodskim elektricheskim setiam i pod-
stantsiam. [By] V.B. Atabekov i dr. Moskva, Izd-vo MKKh
RSFSR, 1963. 550 p. (MIRA 16:11)
(Electric power distribution--Handbooks, manuals, etc.)
(Electric substations--Handbooks, manuals, etc.)

GEL'MAN, R.Ye.; KULESHOV, Ya.T.; SADKIN, P.I.[deceased]; SMIRNOV, A.D., inzh., red.; SEGAL, Ye.I., red.; BORUNOV, N.I., tekhn. red.

[Electrician's manual in two volumes] Spravochnik elektrotehnika v dvukh tomakh. Pod obsheei red. A.D.Smirnova. Moskva, Gosenergoizdat. Vol.2. No.1. [High-voltage apparatus] Apparatura vysokogo napriazheniia. 1963. 104 p.

(MIRA 16:11)

(Electric engineering--Handbooks, manuals, etc.)

GEL'MAN, R.Ye.; KULESHOV, Ya.T.; SADKIN, P.I.[deceased]; SMIRNOV,
A.D., inzh., red.; BORUNOV, N.I., tekhn. red.

[Manual for electricians in two volumes] Spravochnik
elektrotekhnika v dvukh tomakh. Pod obshchei red. A.D.
Smirnova. Moskva, Gosenergoizdat. Vol.2. [Complex
electrical equipment] Kompleksnoe elektrooborudovanie.
1963. 255 p. (MIRA 17:2)

GEL'MAN, R.Ye.; KULESHOV, Ya.T.; SAVOST'YANOV, A.I.; SHIENOV,
A.D., inzh., red.

[Electrical engineering handbook in two volumes] Spra-
vochnik elektrotehnika v dvukh tomakh. Moskva, Energiia.
Vol.2. No.3. 1965. 240 p. (MIRA 18:6)

KULESHOV, Ye.V.

Use of hexonium for preventing posttransfusional reactions. Vrach.
delo no.8:75-80 Ag '62. (MIRA 15:11)

1. Gospiatal'naya khirurgicheskaya klinika (zav. - prof. R.V. Bogoslavskiy) Donetskogo meditsinskogo instituta i fiziologicheskaya laboratoriya (zav. - doktor med.nauk R.M.Glants) Ukrainского nauchno-issledovatel'skogo instituta perelivaniya krovi i neotlozhnoy khirurgii.

(HEXONIUM)

(BLOOD---TRANSFUSION)

REVAZASHVILI, B.I.; IVANOV, E.A.; KULESHOV, Yu.G.

Potentialities for increasing the effectiveness of the flotation
process. TSvet. met. 36 no.5:24-29 My '63. (MIRA 16:10)

KULESHOV, Yu. G.

KULESHOV, Yu. G.: "Some problems of distributed amplification". Kiev, 1955.
Min Higher Education Ukrainian SSR. Kiev, Order of Lenin Polytechnic Inst.
(Dissertations for the degree of Candidate of Technical Science.)

SO: Knizhnaya Letopis' No. 50 10 December 1955. Moscow.

~~6598~~ 69588

SOV/112-59-22-46724

Translation from: Referativnyy zhurnal, Elektrotehnika, 1959, Nr 22, p 199 (USSR)

9.3240
AUTHOR: Kuleshov, Yu.G.

TITLE: The Efficiency at a Distributed Amplification

PERIODICAL: Tr. Taganrogsk. radiotekhn. in-ta, 1958, Vol 2, pp 19 - 21

ABSTRACT: The efficiency in the anode circuit of tubes at a distributed amplification under A and B conditions is considered. Suggestions are made regarding the selection of tubes, depending on their position in the stage. It is shown that the way to raise the efficiency of a stage is to raise the efficiency of each individual tube, and that the use of several feeding sources at a distributed amplification may be justified both technically and economically. ✓

V.M.L.

Card 1/1

SOV-109-3-4-7/28

AUTHOR: Kuleshov, Yu. G.

TITLE: Selective Properties of Certain Devices with Distributed Parameters (O diapazonnykh svoystvakh ryada ustroystv s raspredelennymi parametrami)

PERIODICAL: Radiotekhnika i Elektronika, 1958, Vol 3, Nr 4, pp 512-517 (USSR)

ABSTRACT: An infinite homogeneous line (see Fig.1) is excited by an arbitrary system of energy sources operating at a frequency ω . The amplitude and phase distribution of the energy sources is described by:

$$\bar{F}(x, \omega) = F(x, \omega) e^{\xi x} \quad (1)$$

where $F(x, \omega)$ is a real function of x and ξ is a complex frequency function, $\xi = \alpha(\omega) + j\beta(\omega)$. The propagation function along the line is equal to $\phi = \sigma(\omega) + j\Omega(\omega)$. The effect due to an elementary source is described by Eq.(2) for $x = 0$ and by Eq.(3) for $x = l$. The total effect can be described by Eqs.(4) which by adopting the notation of Eqs.(5) can be transformed into:

Card 1/3

SOV-109-3-4-7/28

Selective Properties of Certain Devices with Distributed Parameters

$$\varphi(p_{\pm}) = \int_0^1 F(x, \omega) e^{\pm px} dx \quad (6)$$

It is pointed out that Eqs.(4) or (6) can be employed to design a number of useful devices. It is shown that it is possible to calculate the compensation parameters for a distributed amplifier or to design a unidirectional wide band filter; the design of a filter based on a rectangular waveguide having a cross-section of 12.65 x 28.3 mm² and propagating an H₁₀ wave, is considered in some detail. It is also mentioned that Eqs.(4) and (6) can be employed in the synthesis of the devices having a "comb-type" characteristic. The author expresses his gratitude to Corresponding Member of the Ukrainian Academy of Sciences, S.I. Tetel'baum, to

Card 2/3

30V-109-3-4-7/ '8

Selective Properties of Certain Devices with Distributed Parameters

Prof. M. I. Kontorovich, Prof. G. Ye. Pukhov and Docent

I. M. Baranov for their help. There are 3 figures
and 7 Soviet references.

SUBMITTED: March 9, 1956 and finally, after corrections:
July 24, 1957.

1. Distributed amplifiers--Design
2. Broadband filters--Design
3. Mathematics--Applications
4. Functions--Applications

Card 3/3

9(2)

SOV/19-59-3-69/306

AUTHOR: Kuleshov, Yu.G.

TITLE: A Comb Filter

PERIODICAL: Byulleten' izobreteniy, 1959, Nr 3, p 22 (USSR)

ABSTRACT: Class 21a⁴, 48⁶⁸. Nr 117830 (584409 of 14 October 1957). The filter consists of a chain of reactive elements. To improve the shape of the comb, it is designed in the form of a uniform line with power-transmitting elements. These elements are electron tubes, or semiconductors, operating on common load and excited by inphase voltages with amplification factors chosen by the gaussian curve.

Card 1/1

KULESHOV, Yu.G.

Distributed excitation of a line. Izv. vys. ucheb. zav.; radio-
tekh. 5 no.4:176-182 J1-Ag '62. (MIRA 16:6)

1. Rekomendovana kafedroy teoreticheskikh osnov radiotekhniki
Kiyevskogo ordena Lenina politekhnicheskogo instituta.
(Radio lines) (Microwaves)
(Parametric amplifiers)

KULESHOV, Yu.G.

Method for the synthesis of frequency and transfer characteristics
of a four-terminal network. Izv. vys. ucheb. zav.; radiotekh.
6 no.3:271-277 My-Je '63. (MIRA 16:9)

1. Rekomendovana kafedroy teoreticheskikh osnov radiotekhniki
Kiyevskogo ordena Lenina politekhnicheskogo instituta.
(Electric networks)

"APPROVED FOR RELEASE: 08/23/2000

CIA-RDP86-00513R000927410012-5

APPROVED FOR RELEASE: 08/23/2000

CIA-RDP86-00513R000927410012-5"

"APPROVED FOR RELEASE: 08/23/2000

CIA-RDP86-00513R000927410012-5

APPROVED FOR RELEASE: 08/23/2000

CIA-RDP86-00513R000927410012-5"

ACC NR: AP7002983 (A) SOURCE CODE: UR/0413/66/000/024/0081/0081

INVENTOR: Kroshchenko, V. D.; Duvanov, A. M.; Kuleshov, Yu. N.

ORG: None

TITLE: An installation for studying the ballistics of artillery systems. Class 42, 189608 [announced by the Ramenskoye Department of the All-Union Scientific Research Institute of Geophysical Exploration Methods (Ramenskoye otdeleniye Vsesoyuznogo nauchno-issledovatel'skogo instituta geofizicheskikh metodov razvedki)]

SOURCE: Izobreteniya, promyshlennyye obraztsy, tovarnyye znaki, no. 24, 1966, 81

TOPIC TAGS: ballistics,artillery weapon, ballistic test facility

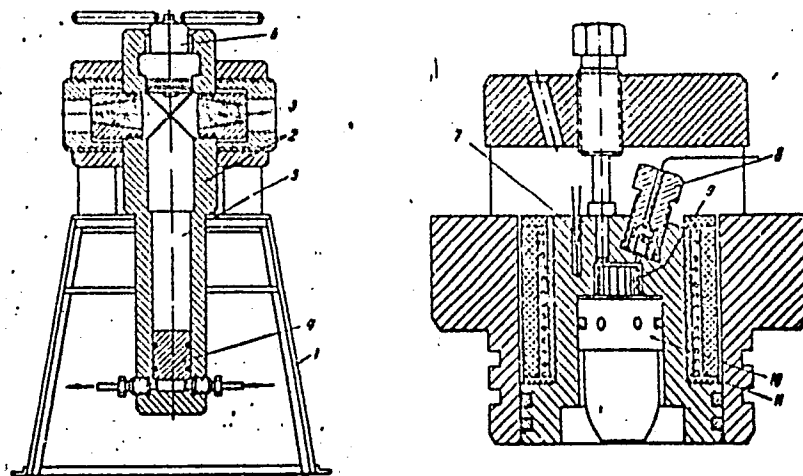
ABSTRACT: This Author's Certificate introduces an installation for studying the ballistics of artillery systems. The unit is mounted on a stationary framework and contains a hermetically sealed housing with optical inputs. A piston in this housing separates the optically transparent fluid which fills the test chamber of the installation from the working fluid fed from a hydraulic compressor. To eliminate the effect of temperature on the housing and optical inputs, a chamber is built into the housing to hold the experimental capsule with fuse, powder charge and firing pin. A heating element is used for localized heating of the experimental capsule alone.

Card 1/2

UDC: 620.17:623.522

ACC NR:

AP7002983



1--stationary frame; 2--housing; 3--optical inputs; 4--piston; 5--test chamber;
6--chamber; 7--experimental capsule; 8--fuse; 9--powder charge; 10--firing pin;
11--heating element

SUB CODE: 19/ SUBM DATE: 18Dec64

Card 2/2

GORBENKO, L.A.; KULESHOV, Yu.N.

Distance-type switch. Biul.nauch.-tekh.inform VIMS no.1:101-103
'63. (MIRA 18:2)

D 03942-67

ACC NR: AF6011262

SOURCE CODE: UR/0413/66/000/006/0100/0101

AUTHORS: Bolov, V. V.; Kuloshov, Yu. P.

ORG: none

TITLE: Pressure stabilizer. Class 42, No. 179997

SOURCE: Izobretoniya, promyshlennyye obraztsy, tovarnyye znaki, no. 6, 1966, 100-101

TOPIC TAGS: automatic pressure control, pressure regulator

ABSTRACT: This Author Certificate presents a pressure stabilizer. To improve the characteristics, the stabilizer contains two jet amplifiers. The inverse output of the first amplifier is connected to the load and the supply channel of the second amplifier (see Fig. 1). The direct output of the second amplifier is connected to the control channel of the first amplifier. The pressure supply inlet line is connected to the supply channel of the first amplifier and through a divider to the control channel of the second amplifier.

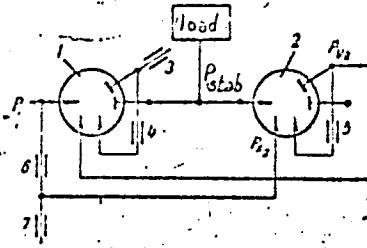
Card 1/2

UDC: 621.646.4

L 08942-67

ACC NR: AP6011262

Fig. 1. 1 and 2 - amplifiers;
3-7 - resistances;
 P_{stab} - output pressure; P_{y2} - negative
feedback signal; P_{x2} - control signal;
P - pressure supply



Orig. art. has: 1 diagram.

SUB CODE: 20, 14/ SUBM DATE: 04Dec64

Card 2/2

ZEBOL'D, Aleksey Nikolayevich; SEMENOVA, Nadezhda Vasil'yevna;
KULESHOV, Yu.Ya., red.; BUGROVA, T.I., tekhn. red.

[Organization of the work of the surgical nurse] Orga-
nizatsiia raboty operatsionnoi sestry. Izd.2. Leningrad,
Medgiz, 1963. 63 p. (MIRA 17:2)

FILATOV, Antonin Nikolayevich; KOTOVSHCHIKOVA, Marianna Aleksandrovna;
KULESHOV, Yu.Ya., red.; KHARASH, G.A., tekhn. red.

[Coagulative system of the blood in clinical practice] Sver-
tyvaiushchaia sistema krovi v klinicheskoi praktike. Lenin-
grad, Medgiz, 1963. 159 p. (MIRA 16:9)
(BLOOD--COAGULATION)

GOLOVIN, Georgiy Vasil'yevich; KOLESHOV, Yu.Ya., red.

[Problem of chemical osteosynthesis] Problema sklei-
vania kostei. Leningrad, Meditsina, 1964. 113 p.
(MIRA 17:9)

FILATOV, Antonin Nikolayevich; BOGOMOLOVA, Lyuba - Grigor'evna;
ANDRIANOVA, Irina Gennadi'yevna; KOLESHOV, Yu. Ya., eds.;

[Dried blood plasma and its use for therapeutic purposes]
Sukhaya plazma krovi i ee primeneniye s lecheniyei i profilak-
sisei. Leningrad, Meditsina, 1964. 142 p. (B14 281)

BELOGORODSKIY, Valentin Mikhaylovich; [?], Yu.Ye., [?].

[Cuediaphragmatic abscess; pathogenesis, diagnosis, treatment] Ioddiaphragmal'nyi abscess; patogenez, diagnostika, lechenie. Leningrad, Meditsina, 1964. 150 p.
(lib 17:7)

KUSLIK, Mikhail Isaakovich, zast. deyatel' nauki RSFSR, prof.;
KULESHOV, Yu.Ya., red.

[Surgical treatment of giant cell tumors] Khirurgiches-
skoe lechenie gigantokletochnykh opukholei. Leningrad,
Meditsina, 1964. 277 p. (MIPA 18:1)

KULESHOV, Yu.Ya., mayor meditsinskoy sluzhby, kand. med. nauk

Transfusion of fibrinolytic blood in radiation lesions. Voen.-med.
zhur. no.8:23-26 '64. (MIRA 18:5)

KULESHOVA, A.A.

TALMUD, S.L.; TURZHETSKAYA, A.N.; ~~KULESHOVA, A.A.~~

Fractional composition of short cellulose fibers. Koll. zhur. 19
no.1:118-120 Ja-F '57. (MLBA 10:4)

1. Leningradskiy tekhnologicheskiy institut im. V.M. Molotova,
Kafedra fizicheskoy i kolloidnoy khimii.
(Cellulose) (Fibers)

SHALTYKO, G.Ye., Primalni uchastiye: KULESHOVA, A.A.; SHESTAKOVA, N.A.
SOKOLOVA, Z.N.; BOBROV, V.V.

Increase of the toxicity of shale tar collected in a compartment
oven main with the purpose of using it for antisepting treating of
wood. Zhur.prikl.khim. 34 no.10:2362-2364 0 '61. (MIRA 14,11)

1. Leningradskiy institut inzhenerov zheleznodorozhnogo transporta.
(Wood preservatives) (Coal tar)

ZELENIN, N.I.; SHALTYKO, G.Ye.; CHERNYSHEVA, K.B.; TATARINA, G.V.; FAYNBERG, V. S.; YANKOVSKAYA, T.A.; Primali uchastiye: SOKOLOVA, Z.N.; KULESHOVA, A.A.; KRESTENKO, M.N.; BOBROV, V.V.; PIMENVA, F.G.

Developing methods for the cold fractionation of shale tar. Part 5.
Using light tar as wood impregnating oil. Khim. i tekhn.gor.sl., i
prod. ikh perer. no.12:278-284 '63. (MIRA 17:2)

1. Leningradskiy inzhenerno-ekonomicheskii institut i Leningradskiy institut inzhenerov zheleznodorozhnogo transporta.

ZAYGEROV, Iosif Borisovich; prinimali uchastiye: GVOZDEVICH, A.M.,
SHMORGUN, Ya.Sh., inzh.; TIMOFEYEV, T.S., inzh.; ARAV, R.I.,
inzh., KULESHOVA, A.I., inzh.; GORODETSKIY, G.Ye., inzh.;
SOSNENKO, M.N., inzh. retsenzent; SIROTIN, A.I., red.;
EM'KIND, V.D., tekhn. red.

[Reclamation of used sand mixtures; design of pneumatic reclaimers]
Regeneratsiya otrabotannykh smesei v liteinom proizvodstve; kon-
struktsiya i raschet pnevmaticheskikh regenerátorov. Moskva, Gos.
nauchno-tekhn. izd-vo mashinostroít. lit-ry, 1961. 181 p.
(MIRA 14:5)

1. Nachal'nik otdela mekhanizatsii Moskovskogo transformativnogo
zavoda (for Gvozdevich, Shmorgun, Timofeyev, Arav, Kuleshova,
Gorodetskiy)

(Sand, Foundry)

(Pneumatic machinery)

"APPROVED FOR RELEASE: 08/23/2000

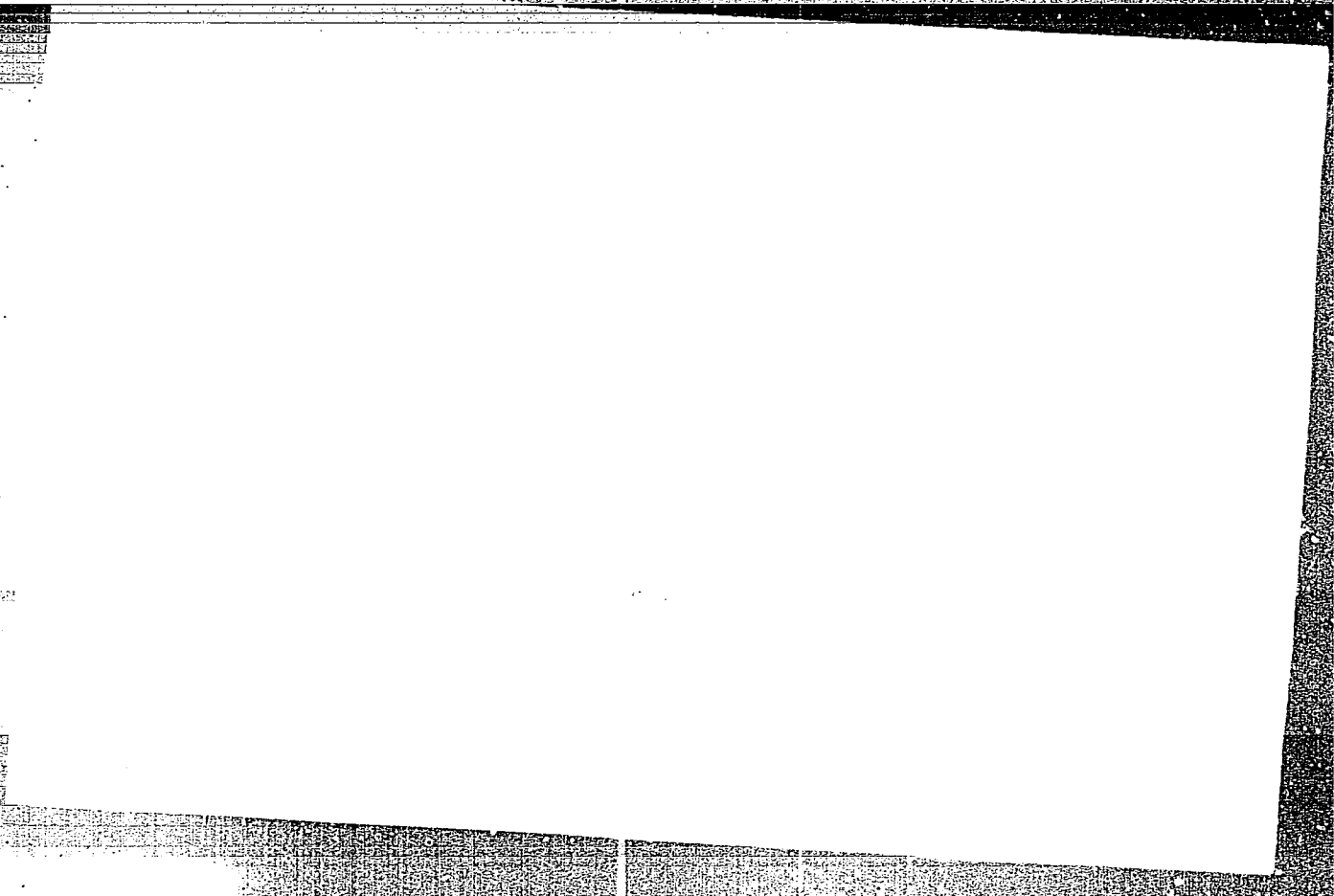
CIA-RDP86-00513R000927410012-5

APPROVED FOR RELEASE: 08/23/2000

CIA-RDP86-00513R000927410012-5"

"APPROVED FOR RELEASE: 08/23/2000

CIA-RDP86-00513R000927410012-5



APPROVED FOR RELEASE: 08/23/2000

CIA-RDP86-00513R000927410012-5"

MEL'NIKOVA, N.P.; FEDOROV, A.P.; GARANIN, I.L.; PODOL'SKIY, M.A.; KULESHOVA, A.N.

Some regularities of the catalytic reforming process. Khim. i
tekh. topl. i masel 9 no.3:7-11 Mr'64 (MIRA 17:7)

1. Krasnodarskiy filial Vsesoyuznogo neftegazovogo nauchno-issle-
dovatel'skogo instituta.

MEL'NIKOVA, N.P.; FEDOROV, A.P.; KULESHOVA, A.N.

Converting individual hydrocarbons in catalytic reforming. Khim.
i tekh. topl. i masel 9 no.7:24-28 J1 '64.

(MIRA 17:12)

1. Krasnodarskiy filial Vsesoyuznogo neftegazovogo nauchno-issle-
dovatel'skogo instituta.

KULESHOVA, A.V.; PROKOF'YEV, O.N.

Practices in controlling quarantine weeds. Zashch. rast. ot vred.
1 bol. 6 no.7:50 JI '61. (MIRA 16:5)

1. Direktor Kazakhskoy karantinnoy laboratorii (for Kuleshova).
2. Starshiy agronom-toksikolog Kazakhskoy karantinnoy laboratorii (for Kuleshova).

(Alma-Ata Province--Weed control)

(Alma-Ata Province--Ragweed)

BRAMSON, M.A.; ZEL'MANOVICH, I.L.; KULESHOVA, G.I.

Radiative capacity of water in the infrared spectral region.
Trudy GGO no.152:31-67 '64. (MIRA 17:7)

KULESHOVA, K.F.

Observations of occultations of stars at the Tashkent Astronomical
Observatory of the Academy of Sciences of the Uzbek S.S.R. Astron.
tsir. no.142:11-12 S '53. (MLRA 7:7)
(Occultations)

KULESHOVA, K.; TIRNSHTEYN, B.

Observations of lunar occultations of stars in Tashkent.
Astron.tsir. no.140:18 Ag '53. (MLRA 7:1)

1. astronomicheskaya observatoriya Akademii nauk Uzbekskoy SSR
(Tashkent). (Occultations)

KULESHOVA, K.

Observations of occultations made at Tashkent. Astron. tsir. no. 166:
24 Ja '56. (Occultations) (MIRA 9:7)

KULESHOVA, K.

Observations of lunar occultations of stars in Tashkent. Astron.
tsir. no.177:22 P '57. (MIRA 10:6)

(Occultations)

SLOINIM, Yu.M.; KULESHOVA, K.F.

Characteristics of the last eleven-year cycle of solar activity.
Trudy Tashk. astron. obser. Series 2 6:101-111 '57. (MIRA 11:11)
(Sun)

SOV/35-59-10-8111

Translation from: Referativnyy zhurnal. Astronomiya i Geodeziya, 1959, Nr 10, p 67
(USSR)

AUTHOR: Kuleshova, K.

TITLE: Solar Activity (1957, September to October)

PERIODICAL: Tsirkulyar Tashkentsk. astron. observ., 1957, 10 November, Nr 291, pp 10-21

ABSTRACT: The results of observations of the spots (number of groups, Wolf numbers, areas) and prominences (the numbers and areas over the 5-degree zones) based on the findings of the Tashkent Observatory solar service, are given. ✓

Card 1/1

28744
S/035/61/000/008/018/022
A001/A101

3.1540 (1859)

AUTHOR: Kuleshova, K.

TITLE: Ascending branch of solar activity of cycle no. 19 from TAO observations

PERIODICAL: Referativnyy zhurnal. Astronomiya i Geodeziya, no. 8, 1961, 58, abstract 8A477 ("Tsirkulyar Tashkentsk. astron. observ.", 1959, yanv. 10, no. 298, 8 - 12)

TEXT: On the basis of analyzing the numbers of groups, Wolf numbers and areas of sunspots, cycles no. 18 and no. 19 are compared. The conclusion is drawn that cycle no. 19 is the most intensive of all those observed during the last two centuries.

[Abstracter's note: Complete translation]

Card 1/1

4

S/033/62/039/002/006/014
E073/E535

AUTHOR:

Kuleshova, K.F.

TITLE:

The fine structure of sunspot formation zones

PERIODICAL:

Astronomicheskii zhurnal, v.39, no.2, 1962, 273-277

TEXT:

It is pointed out that the latitude sunspot distribution, frequently referred to as Spoerer's law, is of major theoretical importance but has not so far been explained. An inspection of the latitude sunspot distribution shows that the spots are not distributed uniformly but are grouped in isolated "pulses" which frequently take the form of rings. The aim of the present paper was to determine the velocity of propagation of these "pulses" and their duration. Observations obtained at the Tashkent Astronomical Observatory for cycles 17, 18 and 19 were employed. It was found that the average velocity is 1.2° month⁻¹ and the average length is 21 months. It is concluded that there is a meridional circulation in the photosphere in the direction from the poles to the equator. This circulation is responsible for the appearance of sunspot rings at high latitudes. These rings gradually move towards the equator, reaching it after 21 months

Card 1/2

S/033/62/039/002/006/014
E073/E535

The fine structure of sunspot ...

from the instant of their appearance. After 4 to 6 months following the appearance of the original ring, a new ring is produced at a high latitude and so on. In this way the Spoerer sunspot zone divides into a series of isolated successive pulses, whose velocity of propagation is as given above. There are 4 figures and 2 tables.

AS.OCIATION:

Tashkentskaya astronomicheskaya observatoriya
(Tashkent Astronomical Observatory)

SUBMITTED:

April 5, 1961

Card 2/2

"APPROVED FOR RELEASE: 08/23/2000

CIA-RDP86-00513R000927410012-5

APPROVED FOR RELEASE: 08/23/2000

CIA-RDP86-00513R000927410012-5"

... of the material of 1937-1962 for the area of the spots. Using the
photographic results of the Greenwich Observatory, the number of spots
... the sun is

was counted in each segment and the total spot area, expressed in millionths of the hemisphere, was evaluated. The sums were calculated over the days, years, and

"APPROVED FOR RELEASE: 08/23/2000

CIA-RDP86-00513R000927410012-5

APPROVED FOR RELEASE: 08/23/2000

CIA-RDP86-00513R000927410012-5"

KULESHOVA, L. N., CAND BIO SCI, "REGENERATION OF THE
PANCREAS UNDER VARIOUS TYPES OF DIETS AND CHANGES IN CON-
CENTRATION OF THE THYROID HORMONE." MOSCOW, 1961. (2ND
MOSCOW STATE MED INST IMENI N. I. PIROGOV). (KL-DV, 11-61,
215).

KULESHOVA, L.N.

Regeneration of islet tissue under various nutritional conditions
and in hypo- and hyperthyroidism. Biul. eskp. biol. i med. 51 no.5:
94-98 My '61. (MIRA 14:8)

1. Iz kafedry gistologii i embriologii (zav. - chlen-korrespondent
AMN SSSR prof. A.A.Voytkovich) Voronezhskogo meditsinskogo instituta
(dir. - prof. N.I.Odnoralov). Predstavlena deystvitel'nym chlenom
AMN SSSR A.V.Lebedinskim.

(PANCREAS) (DIET) (THYROID GLAND)
(REGNERATION (BIOLOGY))

VOYTKEVICH, A.A.; KULESHOVA, L.N.

Reaction of the pancreas to injuries in frog larvae in relation
to metamorphosis. Biul. eksp. biol. i med. 53 no. 6: 84-87 Je '62.

(MIRA 15:10)

1. Iz kafedry gistologii i embriologii (zav. - chlen-korrespondent
AMN SSSR prof. A.A.Voytkevich) Voronezhskogo meditsinskogo instituta.
(PANCREAS—WOUNDS AND INJURIES) (METAMORPHOSIS)

VOYTKEVICH, A.A.; BUKHONOVA, A.I.; KULESHOVA, L.N.

Reaction of mast cells to hormones. Dokl. AN SSSR 146 no.2:492-
495 S '62. (MIRA 15:9)

1. Voronezhskiy gosudarstvennyy meditsinskiy institut.
Predstavleno akademikom N.N. Anichkovym.
(MAST CELLS) (HORMONES)

KULESHOVA, L.N.

Effect of small doses of alloxan on the regeneration of insular tissue of the pancreas. Biul. eksp. biol. i med. 57 no.3:109-112 Mr '64. (MIRA 17:11)

1. Kafedra gistologii i embriologii (zav. - chlen-korrespondent AMN SSSR prof. A.A. Boytkovich) Voronezhskogo meditsinskogo instituta. Predstavlena deystvitel'nym chlenom AMN SSSR N.N. Zhukovym-Verezhnikovym.

Kul'shova, L. V.

S/056/60/039/01/02/029
B006/B070

AUTHORS: Al'tshuler, L. V., Kuleshova, L. V., Pavlovskiy, M. N.

TITLE: Dynamical Compressibility, Equation of State, and Electrical Conductivity of Sodium Chloride at High Pressures

PERIODICAL: Zhurnal eksperimental'noy i teoreticheskoy fiziki, 1960, Vol. 39, No. 1 (7), pp. 16-24

TEXT: The authors report on the compressibility and conductivity of single crystals of rock-salt under pressures ranging from $50 \cdot 10^3$ to $800 \cdot 10^3$ atm. That many dielectrics show much higher conductivity during the passage of shock waves, was discovered by A. A. Brish, M. S. Tarasov, and V. A. Tsukerman in 1950. A similar effect in dynamically loaded ionic and molecular crystals was detected in 1956. The relationship between the dynamical and electrical properties, and the characteristic of shock waves has, however, not yet been investigated. To do so was the purpose of the present work. The dynamical compressibility of single crystals of rock-salt (2.16 g/cm^3) was measured by a method

Card 1/3

Dynamical Compressibility, Equation of State, and Electrical Conductivity of Sodium Chloride at High Pressures

S/056/60/039/01/02/029
B006/B070

described in Ref. 5. The parameters of the measured shock adiabatics are compiled in Table 1. Fig. 1 shows the DU-diagram of the shock adiabatics, D and U denoting the wave and mass velocities of the shock wave. The highest applied pressure increased the crystal density 1.85 times. Fig. 2 shows $P_g(\delta)$, and Fig. 3 $P(\delta)$; P_g denotes the pressure of shock compression, $\delta = v_{OK}/v$, v is the specific volume behind the shock wave in the initial state, and v_{OK} is the same at $0^\circ K$. In the following, the volume dependence of Grüneisen coefficients $\gamma(v)$ is investigated starting from an expression due to Slater and L. D. Landau, and also from one in Ref. 9. Two expressions (7a) and (7b) are obtained giving γ as a function of n and δ . n is a parameter taken from the theory of ionic crystals and lies between 7.84 and 9.1 (Refs. 10 and 11). The two γ -formulas are again transformed into (9a) and (9b) which give γ as functions of δ , the lattice parameter ϱ , and the interatomic distance r . Analysis shows that, in the range of densities investigated, the repulsive force may be represented in the form $Be^{-r/\varrho}$ with $\varrho = 0.318$ A. In this range the

Card 2/3

Dynamical Compressibility, Equation of State,
and Electrical Conductivity of Sodium Chloride
at High Pressures

S/056/60/039/01/02/029
B006/B070

Grüneisen coefficient varies from 1.75 to 1.27. In the following, the experimental arrangement proposed by A. V. Reymers for measuring the electric conductivity is discussed (Fig. 4). The determination of the resistance of the shock-compressed crystals, R_x , is described. All the experimental material for 14 points of reference in the crystal is given in Table 3 (v_0/v , T , P_g and the specific conductivity Σ). The temperature dependence of the specific conductivity is represented in Fig. 6 by the function $\log \Sigma(T^{-1})$. For high temperatures, this curve has a constant slope corresponding to an activation energy of 1.2 eV. In conclusion, the authors thank Academician Ya. B. Zel'dovich for his interest, and V. P. Drakin for collaboration in the experiment. B. I. Davydov is mentioned. There are 6 figures, 3 tables, and 16 references: 8 Soviet, 3 German, and 5 American.

SUBMITTED: January 25, 1960

Card 3/3

М.А. КУПЧЕНКО, Г.А. КУПЧЕНКО, Г.В.

Expansion of chaffinch nesting range in the Lower Volga
Valley. Ornitologia no. 6-473-474 '69. (1969) 17-18

S/181/63/005/001/043/064
B108/B180

AUTHORS: Al'tshuler, L. V., Pavlovskiy, M. N., Kuleshova, L. V., and Simakov, G. V.

TITLE: Study of alkali metal halides under the high pressures and temperatures of shock compression

PERIODICAL: Fizika tverdogo tela, v. 5, no. 1, 1963, 279-290

TEXT: To investigate the interaction forces of the ions of alkali halide salts the authors studied the shock compression of LiF, KCl, NaI, KBr, and CsI crystals in the pressure range $2 \cdot 10^{10}$ - 10^{12} bar. The pressure was created by exploding a charge which threw a steel plate against a metal screen on the other side of which the sample was attached. Phase transformation of KCl and KBr was observed during the shock compression, probably a transition from NaCl-type structure with coordination number 6 to CsCl-type structure with coordination number 8. There was considerable increase in internal energy of LiF, KBr, and CsI after the compression. The experimental data are used to derive semiempirical equations of state

Card 1/2

Study of alkali metal halides ...

S/181/63/005/001/043/064
B108/B180

for the ionic crystals studied. The thermodynamic properties of the crystals are described, on the assumption that the atoms vibrate in the spherically symmetric field of their neighbors (theory of "free volume"; J. E. Lennard-Jones, A. E. Devonshire. Proc. Roy. Soc., A163, 53, 1937): The anharmonic thermal vibrations have a considerable effect on the position of the shock adiabates of samples with reduced initial density. There are 6 figures and 6 tables.

SUBMITTED: August 10, 1962

Card 2/2

KULESHOVA, L.V.; MATYUSHKIN, Ye.N.; KOZNETSOV, G.V.

Ornithogeographical review of the Khakhtsir Range (Amar Valley).
Ornitologiya no.7:97-107 '65. (MIRA 18:10)

BERKOVICH, N.; KULESHOVA, M.

A word of employees of branch offices of the regional economic council. Fin. SSSR 19 no.9:43 S '58. (MIRA 11:10)

1. Starshiy ekonomist-finansist upravleniya promyshlennogo i grazhdanskogo stroitel'stva Kuybyshevskogo sovnarkhosa (for Berkovich).
2. Zamestitel' glavnogo bukhgaltera upravleniya mashinostroyeniya togo zhe sovnarkhosa (for Kuleshova).
(Finance)

1. M. KULESHOVA, ENG.
2. USSR (600)
4. Cheese
7. Shortcomings in process cheese and how to get rid of them. Moloch. prom. 14
no. 2. 1953.

9. Monthly List of Russian Accessions, Library of Congress, April 1953, Uncl.

PA 34/49T23

KULESHOVA, M. A. DOCENT

USSR/Medicine - Anesthesia, Local Jun 48
Medicine - Dicaine, Administration
and Dosage

"Experiments in the Utilization of Dicaine for
Infiltration Anesthesia," Docent M. A. Kuleshova,
Faculty Surg Clinic, Arkhangel'sk Med Inst, 4 pp

"Khirurgiya" No 6

Data includes 1,056 operations. Concludes that
dicaine provides good medium for local anesthesia.
Explains advantages, and describes method of admin-
istrations.

34/49T23

Kuleshova M.A.

Conference on gastric surgery. Khirurgiia, Moskva no. 10:89-92 Oct 1952.
(GLML 23:3)

1. Report by M. A. Kuleshova.

KULESHOVA, M. G.

"Synthesis of some Pilocarpine Analogs. XVIII. On Pilocarpine Alkaloids."
Preobrazhensky, N. A. and Kuleshova, M. G. (p. 237)

SO: Journal Of General Chemistry (Zhurnal Obshchei Khimii) 1945, Volume 15, no. 3.

KULESHOVA, M.I., mladshiy nauchnyy sotrudnik.

Method of detecting small quantities of atropine in drug mixtures.
Apt.delo 3 no.1:13-17 Ja-F '54. (MLRA 7:1)

1. Iz laboratorii farmatsevticheskogo analiza (zaveduyushchiy -
kandidat khimicheskikh nauk N.S.Goryainova) Tsentral'nogo nauchno-
issledovatel'skogo aptechnogo instituta Ministerstva zdravookhra-
neniya RSFSR (direktor Ye.N.Kutumova).
(Atropine) (Drugs--Adulteration and analysis)

KULESHOVA, M.I., starshiy nauchnyy sotrudnik

Identification of some medicinal substances by means of distributive chromatography on paper. Apt. delo 10 no. 2:45-50 Mr-Ap '61.

(MIRA 14:4)

(PAPER CHROMATOGRAPHY) (DRUGS)

KULESHOVA, M.I., kand. farm. nauk

Separation and identification of the components of drug mix-
tures by the method of paper chromatography. Sbor. nauch. trud.
TSANII 4, 109-116 '63 (MIRA 17:3)

1. Laboratoriya farmatsevticheskogo analiza (rukovoditel' labo-
ratorii kand. farm. nauk - V.A. Zaytsev) Tsentral'nogo aptech-
nogo nauchno-issledovatel'skogo instituta.

KULESHOVA, M.I.

Separation of the components in drug mixtures by the paper chromatographic method. (Report No.2). Apt. delo 10 no.5:47-50 S-0 '61.
(MIRA 14:12)

(CHEMISTRY, MEDICAL AND PHARMACEUTICAL)
(PAPER CHROMATOGRAPHY)

KULESHOVA, M.I., kand. farm. nauk

Determination of multicomponent alkaloid mixtures by the
method of countercurrent extraction. Sbor. nauch. trud.
TSANII 6:114-119 '64. (MIRA 19:1)

1. Laboratoriya farmatsevticheskogo analiza Tsentral'nogo
aptechnogo nauchno-issledovatel'skogo instituta.

87121

S/062/00/000/009/017/021
B023/B064

5.3700

1236.2200, 1282

AUTHORS: Knunyants, I. L., Shokina, V. V., and Kuleshova, N. D.
TITLE: Addition of Hydrogen Halides to Fluoro Olefines
PERIODICAL: Izvestiya Akademii nauk SSSR. Otdeleniye khimicheskikh
nauk, 1960, No. 9, pp. 1693-1695

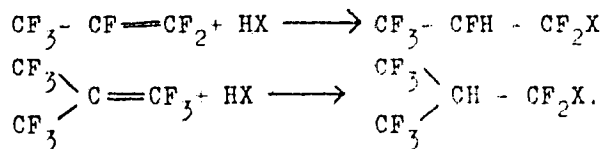
TEXT: The present investigation proved that it is easier to add hydrogen halides to perfluoro isobutylene than to perfluoro propylene. HF is, e.g., added to perfluoro isobutylene under pressure when heated to 200°C. The reaction takes 24 h. Perfluoro propylene must be heated under the same conditions for 100 h at least. HCl and HBr are added in the vapor phase, without pressure, on a catalyst (coal in a mixture with CaSO₄). Addition to perfluoro isobutylene takes place at 200°C, while for perfluoro propylene the temperature must be raised to 230°C. The addition process corresponds to the distribution of the electron density in the olefine molecule. Thus, hydrogen is added to the carbon bound to the trifluoro methyl group: X

Card 1/3

8724

Addition of Hydrogen Halides to
Fluoro Olefines

S/062/60/000/009/017/021
B023/B064



where X = F, Cl, Br. This is confirmed by comparing the spectra of the nuclear magnetic resonance of F¹⁹ in the compounds obtained with the spectra of compounds obviously containing the same groupings. The table p. 1694 shows the values of the relative chemical displacement for the compounds obtained. All attempts made to add perfluoro propylene to perfluoro isobutylene failed. The monohydro monohalogen perfluoro isobutanes were stable to acid and oxidizing reagents, e.g., to boiling with nitric acid (specific weight 1.52). Under the action of bases (NaHCO₃, pyridine, aniline), hydrogen halide is readily split off again. Analogous propane derivatives are more stable. There are 1 table and 7 references: 1 Soviet, 4 US, and 3 British.

Card 2/3

Addition of Hydrogen Halides to
Fluoro Olefines

87224
S/062/80/000/009/017/02;
B023/B064

ASSOCIATION: Institut elementoorganicheskikh soedineniy Akademii nauk
SSSR (Institute of Elemental-organic Compounds of the
Academy of Sciences USSR)

SUBMITTED: July 16, 1959; completed April 25, 1960

X

Card 3/3

KNUNYANTS, I.L., akademik; KULESHOVA, N.D.; LIN'KOVA, M.G.

Structure of the products from the addition of alkyl sulfenyl chlorides to unsaturated acids. Dokl. AN SSSR 135 no.1:81-83 N'60.
(MIRA 13:11)

1. Institut elementoorganicheskikh soedineniy AN SSSR.
(Sulfenyl chloride)