

KUKLIN, N.V.; SAZONOV, V.N.

Characteristics of the distribution of granite pegmatites in the
Urals. Mat.po geol.i pol.iskop.Urala no.10:99-106 '62.
(MIRA 16:2)
(Ural Mountains--Pegmatites)

KUKLIN, P.

Letter to the Editor: "Concerning Engineer Klemienov's Refrigerator Car"
(By P. Kuklin, Assistant Director, Car Division, Railroad Transportation
Research Bureau, Transport Machine-Building Ministry's Chief Railroad
Car Administration, and F. Bulanov, Senior Scientific Associate, Research
Institute of USSR Ministry of the Meat and Dairy Industry.)

Soviet Source: Pravda, Jan. 7, p. 2

Current Digest of the Soviet Press (in CIA Library), Vol 4, No 1, 1952, p. 25

KUKLIN, P.S., inzh.

Rational arrangement of radio-communication equipment on electric locomotives. Avtom., telem. i sviaz' 2 no.5:24-25 My '58.

(MIRA 11:5)

1. Kuybyshevskaya distantsiya signalizatsii i svyazi Kuybyshevskoy dorogi.

(Railroads--Electronic equipment)

KUKLIN, P.S.

Automation of railroad yard intercommunication systems. Avtom.
telem. i sviaz. 9 no.1:17-21 Ja '65. (MIRA 18:2)

1. Starshiy inzh. Kuybyshevskoy distant:11 Kuybyshevskoy dorogi.

KUKLIN, P.V.; PREOBRAZHENSKIY, A.Yu., redaktor; KRASHENINNIKOVA, V.F.,
tekhnicheskiy redaktor.

[Leading machinery operators of the Volga-Don project] Peredovye
mekhanizatory Volgodonstroia. Stalingrad, Oblastnoe knigoizd-vo,
1952. 111 p. [Microfilm] (MLBA 7:10)
(Volga-Don Canal) (Building)

LEBED', Lev Davidovich; KASTRONOVA, Yevgeniya Konstantinovna;
LEPEKHIN, Petr Vasil'yevich; KUKLIN, P.V., red.

[Down-type goats of the Don Valley] Pridonskie pukhovye
kozy. Volgograd, Volgogradskoe knizhnoe izd-vo, 1962.
89 p. (MIRA 18:3)

SHISHIKIN, N.F.; ; KUKLIN, P.V., red.

[Sugar beets for feed] Sakharnaia svekla na korm; sbornik
statei. Volgograd, Volgogradskoe knizhnoe izd-vo, 1963.
52 p. (MIRA 18:3)

1. Instruktor sel'skogo oblastnogo komiteta Kommunistiches-
skoy partii Sovetskogo Soyuza Volgogradskoy oblasti (for
Shishikin).

L 11954-66 EWT(m) DIAAP

ACC NR: AP6001144

SOURCE CODE: UR/0367/65/002/003/0409/0414

AUTHOR: Kuklin, R. N.

ORG: None

35

TITLE: Average widths of radiative transitions in "heated" nuclei

B

SOURCE: Yadernaya fizika, v. 2, no. 3, 1965, 409-414

19, 35

TOPIC TAGS: gamma transition, dipole moment, excited nucleus

ABSTRACT: A formula is obtained for the average width of the dipole transition of a "heated" nucleus as a function of the radiated energy. The averaging in the initial state is carried out over the Gibbs ensemble; in the final state, a quantum summation is performed over all the states allowed by the law of conservation of energy. The calculated average width is in good agreement with the experiment, and the energy characterizing the damping of quasi particles which results in radiative transitions is equal to the imaginary part of the optical potential. Author expresses deep gratitude to V. M. Strufinskiy for the proposed topic, constant attention, and discussions which stimulated the work, A. I. Barkin and Yu. P. Grin' for reviewing the paper, and D. F. Zuretskiy and A. A. Lushnikov, who communicated the results of their studies. Orig. art. has: 1 figure and 25 formulas.

SUB CODE: 20/ SUBM DATE: 29Mar65/ ORIG REF: 006/ OTH REF: 001

HW
Card 1/1

KUKLIN, S.B.

Occurrence of mountain thrush in the Southern Urals. Ornithologia no.6:474 '63. (MIRA 17:6)

KUKLIN, S.M., dotsent

Diagnosis of primary infectious polyradiculoneuritis. Sbor. trud.
Kursk. gos. med. inst. no.13:266-269 '58. (MIRA 14:3)

1. Iz kliniki nervnykh bolezney (zav. - prof. N.I.Golik) Kurskogo
gosudarstvennogo meditsinskogo instituta.
(NEURITIS, MULTIPLE)

KUKLIN, V.

Fighting the elements. Mor. flot. 24 no.5:21-22 My '64.
(MIRA 18:12)

1. Pervyy pomoshchnik kapitana spasatel'nogo sudna
"Ispolnitel'nyy".

KUKLIN, V. B. Cand Tech Sci -- (diss) "Study of the hardness and greater
accuracy in ^{the} calculation^s of thread couplings." Mos, 1957. 16 pp^(with graphs) (Min of Higher
Education USSR. Mos Order of Lenin and Order of Labor Red Banner Higher Tech
School im Bauman), 100copies (KL, 43-57, 88)

KUKLIN, V.B., inzhener.

Precise design of screw fastenings. Vest. mash. 37 no. 7:24-30 J1
'57. (MLR) 10:8

(Screw threads) (Bolts and nuts)

RESHETOV, D.N.; KUKLIN, V.B.

Opening of butts in low-rigidity threaded joints. Nauch. dokl. vys.
shkoly; mash. i prib. no.2:37-43 '59. (MIRA 12:12)
(Screw threads)

S/122/60/000/009/003/015
A161/A026

AUTHORS: Kuklin, V.B., Engineer; Reshetov, D.N., Professor, Doctor of Technical Sciences; Shuvalov, S.A., Engineer

TITLE: Calculation of Couplings With Circular Ribs

PERIODICAL: Vestnik mashinostroyeniya, 1960, No. 9, pp. 19 - 23

TEXT: The design principles of couplings with circular ribs (for heavy axial loads) are discussed: the type in which one of the two parts stretches and the other shrinks under load, and that in which both parts stretch or shrink simultaneously. An approximated calculation method is suggested and practical recommendations are given concerning the shape of the ribs so as to distribute the work load over the ribs. It is recommended to vary the rigidity of the coupling by changing the encompassing part, and by using different groove depths between ribs; couplings of both types are advised for design with equal strength of the inner and the encompassing outer part. It is stressed that the ribs must be geometrically true and with high surface finish, and the radius at the rib root must be as large as possible to reduce stress concentrations. There are 5 figures and 3 Soviet references.

Card 1/1

КАВЕРИН, А.А.; КУКЛИН, В.Г.

Observations of the partial solar eclipse of December 2, 1956,
in Irkutsk. Astron. tsir. no.176:7 '57. (MIRA 10:6)

1. Irkutskaya gorodskaya astronomicheskaya observatoriya Gosudar-
stvennogo universiteta im. A.A. Zhdanova.
(Eclipses, Solar--1956)

KUKLIN, V.S.

More rapid improvement of materials consumption standards. Leg.
prom.17 no.3:7-8 Mr '57. (MLRA 10:4)
(Shoe industry) (Raw materials--Standards)

KUKLIII, V. V.

Card 2,3

PHASE I BOOK EXPLOITATION 1113

Ural'skiy zavod tyazhelogo mashinostroyeniya, Sverdlovsk

Svarochnoye proizvodstvo (The Welding Industry) Moscow, Mashgiz, 1958. 126 p. (Series: Its: Sbornik statey, vyp. 6) 4,000 copies printed.

Eds.: Stepanov, V. V., Candidate of Technical Sciences and Kirillov, A. A., Engineer; Executive Ed. (Ural-Siberian Division, Mashgiz): Bezukladnikov, M. A., Engineer.

PURPOSE: This book is intended for welding engineers and technicians.

COVERAGE: This is a collection of articles published in connection with the 25th anniversary of the Ural'skiy zavod tyazhelogo mashinostroyeniya imeni S. Ordzhonikidze (Ural Heavy Machinery Plant imeni S. Ordzhonikidze) and dealing with developments in the field of welding during the 25 years of the plant's existence. The most interesting investigations dealing with the improvements of quality and the increase of productivity of welding operations are described. The first article deals with the history of the development of metal structures, welding, and flame surface

Card 1/3

The Welding Industry

1113

hardening. The second deals with the application of automatic welding, and the third with investigations on new SK-4 electrodes. The fourth article describes a method of determining regimes of flame surface hardening and the fifth, seventh, and last deal with investigations of the weldability of martensitic stainless chrome steel, low-carbon low-alloy steel of increased strength, and grade 10KhGSND (MS-1) steel. The sixth article deals with carbon-dioxide-shielded welding with a consumable electrode.

TABLE OF CONTENTS:

Kirillov, A.A. History of the Development of Metal Structure, Fabrication Welding and Gas Flame Processes at the Ural Heavy Machinery Plant	3
<u>Kuklin, V.V.</u> Application of Automatic Welding at the Ural Heavy Machinery Plant	17
Stepanov, V.V.; Krokh, A.N.; and Kirillov, A.A. SK-U Electrodes for Electric-arc Welding	28
Card 2/3	

The Welding Industry	1113
Speshkov, V.V. Determining Regimen of Flame Surface Hardening	41
Stepanov, V.V. Investigation of the Weldability of Martensitic Stainless Chrome Steel	50
Kopytov, G.T. Carbon-Dioxide-Shielded Welding With a Consumable Electrode	71
Batmanov, V.A. Weldability of Low-carbon Low-alloy Steel of Increased Strength	87
Kirillov, A.A. Investigation of Weldability of Grade 10KhGSND(MS-1) Steel	121

AVAILABLE: Library of Congress

Card 3/3

GO/aak
2-10-59

S/112/59/000/012/037/097
A052/A001

Translation from: Referativnyy zhurnal, Elektrotehnika, 1959, No. 12, p. 131,
24792

AUTHOR: Kuklin, V.V.

TITLE: Application of Automatic Welding at the Uralmashzavod (Ural Heavy
Machine Works)

PERIODICAL: Sb. statey. Ural'skiy z-d tyazh. machinostr. im. S. Ordzhonikidze,
1958, No. 6, pp. 17-27

TEXT: Automatic welding is carried out with installations¹⁴ for 1- and 3-
phase arc welding. The installation УПИ-УЗТМ -1 (UPI-UZTM 1) for welding the
bar of the bucket handle of ЭКГ-4 (EKG-4) excavator is built on the basis of СА -
1000 (SA-1000) welder by adding the second head and the second coil holder for
electrode wire. Two models of 3-phase welding tractors have been developed and put
into service at the works: ТЗФ-УЗТМ -1 (TZF-UZTM-1) and ТЗФ-УЗТМ -2 (TZF-
UZTM-2) which are used for welding the shoes of the walking mechanism and the
bearer frame of ЭШ-14/75 (ESh-14/75) excavator. For welding cylindrical parts
(drums of ball and pipe mills, bodies of cement furnaces, rims of pneumatic band
Card 1/2

S/112/59/000/012/037/097
A052/A001

Application of Automatic Welding at the Uralsmashzavod (Ural Heavy Machine Works)

clutches, beams of walking excavators) an automatic installation for welding longitudinal and annular joints is used. For welding T- and U-shaped beams a bracket-type automatic installation with A -66 (A-66) head is used. Works on automatic building-up of cutting tools are underway. For welding metal structures semi-automatic hose-type installations ПШ -5 (PSh-5) and ПШШ-500 (PSh-500) are used (the latter have not found any wide application). At present they are used in a modernized form. Electroslag welding has become an indispensable technological process for manufacturing a number of large machine parts (cylinder of the walking excavator ESh-14/75, frames of vertical stands of continuous billet mills, manipulator bars of blooming mills and others). The maximum thickness of parts welded with A -372M (A-372 M) welder is 400 mm with a joint 2.5 m long. A sample with a cross-section of 1000 x 1000 mm has been welded with A -480 (A-480) welder.

L.G.S.

Translator's note: This is the full translation of the original Russian abstract.

Card 2/2

KUKLIN, V.V.

25(1)

P.2

PHASE I BOOK EXPLOITATION

SOV/3421

Akademiya nauk URSS, Kiyev, Institut elektrosvariki imeni akademika Ye.O. Patona

Vnedreniye novykh sposobov svarki v promyshlennost', vyp. 2 (Introduction of New Welding Methods in Industry; Collection of Articles, No. 2) Kiyev, Gos. izd-vo tekhn. lit-ry Ukrainskoy SSR, 1959. 194 p. Errata slip inserted. 3,000 copies printed.

Ed.: V. Garkusha; Tech. Ed.: S. Matusevich.

PURPOSE: This book is intended for workers in the welding industry.

COVERAGE: The book contains a discussion of welding techniques and problems by groups of scientists and welders. Much attention is given to problems in the application of new methods of mechanized welding and electro-slag welding. This is the second collection of articles under the same title prepared and published by the Institut elektrosvariki imeni Ye.O. Patona (Institute of Electric Welding imeni Ye.O. Paton). The preface is written by B.Ye. Paton, Academician of the Ukrainian Academy of Sciences and Winner of the Lenin Prize. There are no references.

Card 1/7

Introduction of New Welding Methods (Cont.)

SOV/3421

TABLE OF CONTENTS:

Preface

3

Zaytsev, Yu. N. [Engineer], Yu. A. Sterenbogen [Candidate of Technical Sciences; Institut elektrosvariki imeni Ye.O. Patona (Electric Welding Institute imeni Ye.O. Paton)], V. S. Pogorelov [Chief Engineer; Novo-Kramatorskiy mashinostroitel'nyy zavod (New Kramatorsk Machinery Plant)], and ~~V. V. Kuklin~~ [Head of the Automatic Welding Office; Ural'skiy zavod tyazhelogo mashinostroyeniya (Ural Heavy Machinery Plant)]. Introduction of Electro-slag Welding Into Production of Structures of Welded Castings

5

Iskra, A. S. [Engineer], Yu. A. Sterenbogen [Candidate of Technical Sciences], V. M. Khrundzhe [Engineer; Institut elektrosvariki imeni Ye.O. Patona (Electric Welding Institute imeni Ye.O. Paton)], D. P. Antonets [Engineer, Zhdanovskiy zavod imeni Il'icha (Plant imeni Il'ich in Zhdanov)], V. I. Rabinovich [Engineer; Barnaul'skiy kotel'nyy zavod (Barnaul Boiler Plant)], and V. V. Chernykh [Engineer; Novo-Kramatorskiy mashinostroitel'nyy zavod (New Kramatorsk Machinery Plant)]. Electro-slag Welding of Steel-plate Constructions

17

Card 2/7

Introduction of New Welding Methods (Cont.)

SOV/3421

Iskra, A. S. [Senior Engineer], A. M. Makara [Candidate of Technical Sciences], and I. V. Novikov [Senior Engineer; Institut elektrosvariki imeni Ye. O. Patona (Electric Welding Institute imeni Ye. O. Paton)]. Making Bodies for Chemical Equipment by Electro-slag Welding of Medium-alloyed Steel Forgings 32

Medovar, B. I. [Candidate of Technical Sciences], A. N. Safonnikov [Engineer; Institut elektrosvariki imeni Ye. O. Patona (Electric Welding Institute imeni Ye. O. Paton)], and I. N. Gerasimenko [Head of Welding Department; Podol'skiy mashinostroitel'nyy zavod imeni S. O. Ordzhonikidze (Podol'sk Machinery Plant imeni S. O. Ordzhonikidze)]. Electro-slag Welding of Large Flanges of 1Kh18N9T Austenitic Steel 51

Gurevich, S. M. [Candidate of Technical Sciences], V. P. Didkovskiy [Engineer; S. D. Zagrebnyuk [Engineer; Institut elektrosvariki imeni Ye. O. Patona (Electric Welding Institute imeni Ye. O. Paton)], P. S. Sinepol'skiy [Head of Welding Office], and V. P. Shmyrev [Technologist of a welding shop]. Electro-slag Automatic Arc Welding of Medium and Large Thickness of Titanium 64

Card 3/7

Introduction of New Welding Methods (Cont.)

SOV/3421

Pokhodnya, I. K. [Candidate of Technical Sciences], V. P. Subbotovskiy [Senior Engineer], I. I. Frumin [Candidate of Technical Sciences; Institut elektrosvariki imeni Ye. O. Patona (Electric Welding Institute imeni Ye. O. Paton)], L. A. Volkova, [Shop Foreman; Dnepropetrovskiy metallurgicheskii zavod imeni G. I. Petrovskogo (Dnepropetrovsk Metallurgical Plant imeni G. I. Petrovskiy)], V. P. Gorelov [Shop Superintendent; Alchevskiy metallurgicheskii zavod imeni K. Ye. Voroshilova (Alchevsk Metallurgical Plant imeni K. Ye. Voroshilov)], and N. A. Ryzhenko, [Chief Mechanic, Magnitogorskiy metallurgicheskii kombinat (Magnitogorsk Metallurgical Combine)]. Introduction of Automatic Hard-surfacing in the Metallurgical Industry 75

Lashkevich, R. I., [Candidate of Technical Sciences], S. L. Mandel'-berg [Candidate of Technical Sciences; Institut elektrosvariki imeni Ye. O. Patona (Electric Welding Institut imeni Ye. O. Paton)] Z. O. Knyazhinskiy [Candidate of Technical Sciences; Ukrainskiy nauchno-issledovatel'skiy trubnyy institut (Ukrainian Scientific and Research Institute of Pipes)], and S. A. Frikke [Chief Engineer; Chelyabinskiy trubno-prokatnyy zavod (Chelyabinsk Pipe-rolling Plant)]. New Technique in Straight-seam Welding of Large-diameter Oil and Gas Pipes 95

Card 4/7

Introduction of New Welding Methods (Cont.)

SOV/3421

Gorbunov, G. V. [Engineer; Institut elektrosvariki imeni Ye. O. Patona (Electric Welding Institute imeni Ye. O. Paton)]. F. A. Zasko, [Chief Engineer; Svarochno-montazhnyy trest (Welding and Assembling Trust)], and A. N. Yuryshv [Chief of the Department of Gas Pipeline Construction; Glavgaz SSSR (Main Administration of the Gas Industry of the USSR)]. Mechanized Methods of Welding in Pipeline Construction 108

Rayevskiy, G. V. [Candidate of Technical Sciences, Winner of Lenin Prize; Institut elektrosvariki imeni Ye. O. Patona (Electric Welding Institute imeni Ye. O. Paton)], V. Ya. Mayevskiy [Chief Engineer; Ukrglavneftesbyt (Ukrainian Main Administration for Petroleum Marketing)], and Ye. F. Martinson [Head of Construction and Assembly Administration No. 70; Trest 7, Ministerstvo stroitel'stva RSFSR (RSFSR Ministry of Construction, Trust 7)]. Introduction of the Method for Weldments in the Petroleum Industry 118

Kazimirov, A. A. [Candidate of Technical Sciences; Institut elektrosvariki imeni Ye. O. Patona (Electric Welding Institute imeni Ye. O. Paton)], and V. F. Zabotin [Chief Engineer; Khersonskiy sudostroitel'nyy zavod (Kherson Shipbuilding Plant)]. Automatic Welding in Shipbuilding 124

Card 5/7

Introduction of New Welding Methods (Cont.)

SOV/3421

Vakhnin, Yu. N. [Engineer], B. S. Kasatkin [Candidate of Technical Sciences], N. I. Kakhovskiy [Candidate of Technical Sciences], A. M. Ponizovtsev [Engineer; Institut elektrosvarki imeni Ye. O. Patona (Electric Welding Institute imeni Ye. O. Paton)], S. I. German [Candidate of Technical Sciences, Chief of Welding Laboratory; Khar'kovskiy turbinnyy zavod imeni S. M. Kirova (Khar'kov Turbine Plant imeni S. M. Kirov)], and Z. L. Klimovitskiy, Chief of Welding Section; Bryanskiy mashinostroitel'nyy zavod (Bryansk Machinery Plant)]. Carbon-dioxide Shielded Welding in Production of Steam Turbines 137

Zaruba, I. I. [Candidate of Technical Sciences], and A. G. Potap'yevskiy [Senior Engineer; Institut elektrosvarki imeni Ye. O. Patona (Electric Welding Institute imeni Ye. O. Paton)]. Introduction of Automatic and Semi-automatic Carbon-dioxide Shielded Welding 148

Medovar, B. I. [Candidate of Technical Sciences], A. G. Potap'yevskiy [Senior Engineer; Institut elektrosvarki imeni Ye. O. Patona (Electric Welding Institute imeni Ye. O. Paton)], F. A. Ratin [Senior Engineer], S. V. Yunger, Supervisor of the Welding Laboratory; Stalingradskiy filial Gproneftemasha (Stalingrad Branch of State Design and Scientific Research Institute for Petroleum Machinery)], and S. A. Zandberg [Chief of Welding Office; Stalingradskiy mashinostroitel'nyy zavod imeni Petrova (Stalingrad Machinery Plant imeni Petrov)].

Card 6/7

Introduction of New Welding Methods (Cont.)

SOV/3421

Development and Introduction of New Technique in Automatic Submerged-arc
Welding of Two-ply Steel With Stainless Chromium Facing 157

Zvonkov, M. L. [Engineer] D. M. Babkin [Candidate of Technical Sciences; Institut elektrosvariki imeni Ye. O. Patona (Electric Welding Institute imeni Ye. O. Paton)], V. A. Verchenko, [Engineer; trust "Prodmontazh" (Production Assembly Trust)], and I. M. Mirgorodskiy [Chief Engineer; zavod "Bol'shevik" ("Bol'shevik" Plant)]. Experience Gained in Welding Containers Made of Aluminum and Its Alloys 173

Asnis, A. Ye. [Candidate of Technical Sciences; Institut elektrosvariki imeni Ye. O. Patona (Electric Welding Institute imeni Ye. O. Paton)], N. G. Gavrilenko [Engineer], A. V. Prokhorov [Engineer; Zhdanovskiy zavod imeni Il'icha (Plant imeni Il'ich in Zhdanov), and S. V. Yunger [Engineer; Stalingradskiy filial Giproneftemash (Stalingrad Branch of State Design and Scientific Research Institute for Petroleum Machinery)]. High-strength Steels for Weldments 183

AVAILABLE: Library of Congress (TS 227.A359)

VK/fal
5-4-60

Card 7/7

KUKLIN, V.V.



PHASE I BOOK EXPLOITATION

SOV/5078

Akademiya nauk URSR, Kiyev. Instytut elektrozvaryuvannya

Vnedreniye novykh sposobov svarki v promyshlennost'; sbornik statey. vyp. 3. (Introduction of New Welding Methods in Industry; Collection of Articles. v. 3) Kiyev, Gos. izd-vo tekhn. lit-ry UkrSSR, 1960. 207 p. 5,000 copies printed.

Sponsoring Agency: Ordena Trudovogo Krasnogo Znameni Institut elektrosvarki imeni akademika Ye. O. Patona Akademii nauk Ukrainsskoy SSR.

Ed.: M. Pisarenko; Tech. Ed.: S. Matusevich.

PURPOSE: This collection of articles is intended for personnel in the welding industry.

COVERAGE: The articles deal with the combined experiences of the Institut elektrosvarki imeni Ye. O. Patona (Electric Welding Institute imeni Ye. O. Paton) and several industrial enterprises in solving scientific and engineering problems in welding

~~Card 1/8~~

Introduction (Cont.)

SOV/5078

technology. Problems in the application of new methods of mechanized welding and electroslag welding in industry are discussed. This is the third collection of articles published under the same title. The Foreword was written by B. Ye. Paton, Academician of the Academy of Sciences Ukrainian SSR and Lenin prize winner. There are no references.

TABLE OF CONTENTS:

Foreword

3

Zaytsev, Yu. N. [Engineer], Yu. A. Sterenbogen [Candidate of Technical Sciences, Electric Welding Institute imeni Ye. O. Paton], V. S. Pogorelov [Chief Engineer, Novokramatorskiy mashinostroitel'nyy zavod (New Kramatorsk Machinery Plant)], and V. V. Kuklin [Head of the Automatic-Welding Engineering Department, Ural'skiy zavod tyazhelogo mashinostroyeniya (Ural Heavy Machinery Plant)]. Introduction of Electroslag Welding Into the Production of Weldments Made of Cast Sections

5

~~Card 2/8~~

OGIYEVSKIY, V.V., kand.sel'skokhoz. nauk; BUROVSKAYA, Ye.V.,
nauchnyy sotrudnik; KUKLIN, V.V., nachnyy sotrudnik;
KHARITONOVA, Ye.G., nachnyy sotrudnik; KHARITONOVA, Ye.G.,
nachnyy sotrudnik

Artificial reforestation in Transbaikalia. Trudy
VSNIPILesdrev no. 7:44-54 '63. (MIRA 17:2)

1. Vostoshno-Sibirskiy nauchno-isslodovatel'skiy i
proyektnyy institut leancy i derevoobrabatyvayushchey
promyshlennosti (for Burovskaya, Kuklin, Kharitonova).

KUKLIN, Yu.I.

Using tackle frames for marine radio direction finders.
Trudy TSNIIMF no.23:38-41 '59. (MIRA 12:8)
(Radio direction finders)
(Ships--Equipment and supplies)

L 20604-66 EWT(m)/EWP(j)/EWA(L)/EWA(L) RM

ACC NR: AP6010715

SOURCE CODE: UR/0189/66/000/001/0060/0064

51
48
13

AUTHOR: Kuklin, Yu. S.; Firsova, L. P.; Nesmeyanov, A. N.

ORG: Department of Radiochemistry, Moscow State University (Kafedra radiokhimii Moskovskogo gosudarstvennogo universiteta)

TITLE: The reaction of accelerated tritons with benzene in the solid phase

SOURCE: Moscow. Universitet. Vestnik. Seriya II. Khimiya, no. 1, 1966, 60-64

TOPIC TAGS: radiolysis, quantum yield, ion beam, radiochemical reaction

ABSTRACT: This paper deals with the action of 2.5 kv tritons on frozen benzene. The nature of chemical and radiological effects produced by accelerated ions is similar to that of "hot" atoms from nuclear reactions, e. g., Li(n, α)T. The advantage of using accelerated ions, aside from simpler experimental conditions, is that the need to compensate for radiolysis by gamma rays, neutrons and alpha particles is obviated. The 2.5 kv tritons employed in this study have much lower energies than the recoil tritium atoms from nuclear reactions. The following equipment was used:

Card 1/3

UDC: 541.15+539.163

2

L 20604-66

ACC NR: AP6010715

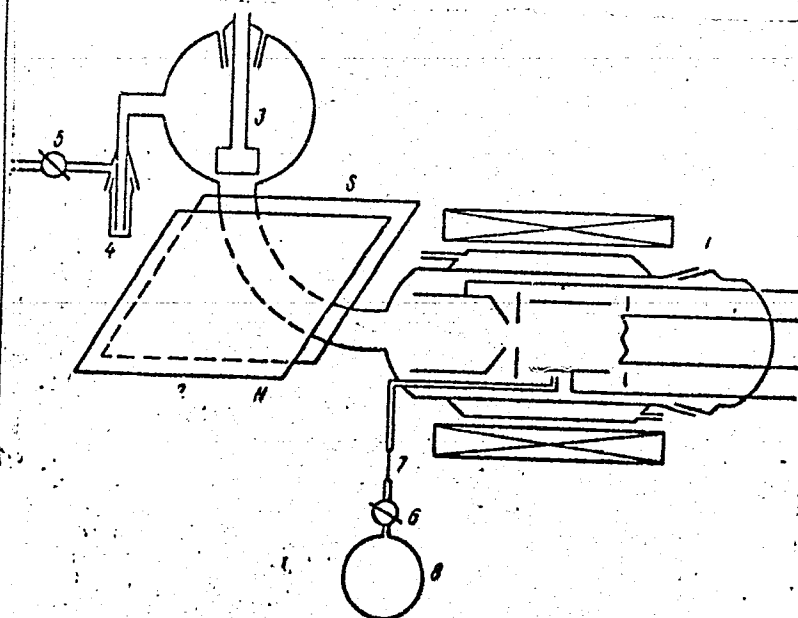


Fig. 1. Ion mass separator

- 1 - Ion source; 2 - magnet;
- 3 - target; 4 - cold trap;
- 5, 6 - stopcocks; 7 - capillary;
- 8 - tritium container.

Card 2/3

L 20604-66

ACC NR: AP6010715

3
The target, covered with sublimed benzene from trap 4, was irradiated for 30 minutes; the irradiated sample, after transfer to the cold trap, was subjected to vapor-phase chromatography. The progress of elution was registered with a scintillation counter. The results showed that 2.5 kV tritons produce considerable destruction of the benzene molecule, forming in the process cyclohexene, 1,3-cyclohexadiene, 1,4-cyclohexadiene, and a number of unidentified products. The unidentified fractions, with one exception, had longer retention times than the cyclohexenes or benzene (the stationary phase was di(2-cyanoethyl) ether/fire brick). A considerably larger amount of label is incorporated than in experiments with recoil atoms from Li(n, α)T. Similarly the radiolytic yields are larger than those obtained with recoil atoms. Orig. art. has: 2 figures and 2 tables. 7

[VS]

SUB CODE: 07/ SUBM DATE: 06Jan65/ ORIG REF: 003/ OTH REF: 008/ ATD PRESS: 4224

Card 3/3 BK

BYKOV, Vladimir Ivanovich; KUKLIN, Yuriy Ivanovich; NIKITENKO,
Yuriy Ivanovich; CHERNYAYEV, R.N., kand. tekhn. nauk, re-
tsenzent; SEMIKOV, T.T., kand. tekhn. nauk, red.; FRISMAN,
Z.S., red. izd-va; KOTLYAKOVA, G.I., tekhn. red.

[Visual radio direction finder on ships] Sudovye vizual'nye
radiopelengatory. Leningrad, Izd-vo "Morskoi transport,"
1962. 104 p. (MIRA 15:7)

(Radio direction finders)

KUKLINA, A. A.

"The Problem of the Morphology of Para- and Meta-Pneumonic
Pleurisy." Cand Med Sci, Crimean State Medical Inst imeni I. V.
Stalin, Simferopol', 1955. (KL, No 10, Mar 55)

SO: Sum. No. 670, 29 Sep 55--Survey of Scientific and Technical
Dissertations Defended at USSR Higher Educational Institutions (15)

KUKLINA, A.A., kand.med.nauk

Condition of the mucous membrane of the corpus uteri in cancer of the cervix [with summary in English]. Akush. i gin. 34 no.3:62-65 My-Je '58. (MIRA 11:6)

1. Iz Krymskogo oblastnogo onkologicheskogo dispansera (glavnyy vrach O.D.Firsova), Simferopol'.

(CERVIX NEOPLASMS, pathol.

uterine mucosa (Rus))

(UTERUS, pathol.

mucosal pathol. in cancer of cervix (Rus))

KUKLIHA, A.A., kand.med.nauk (Simferopol')

A case of primary amyloidosis. Klin.med. 36 no.2:107-109 P '58.
(MIRA 11:5)

1. Iz Krymskogo oblastnogo onkologicheskogo dispansera (glavnyy
vrach O.D.Firsova)

(AMYLOIDOSIS, case reports
primary (Rus))

BRUSILOVSKIY, I.A.; EPSHTEYN, I.F.; KUKLINA, A.A.; BIRKUN, A.A.; KHALFINA,
I.Ya.

Primary cancer of the fallopian tubes. Akush. i gin. 36 no.3:40-
42 My-Je '60. (MIRA 13:12)
(FALLOPIAN TUBES—CANCER)

KUKLINA, A.A.

Some characteristics of diagnostic biopsies of the female genitalia.
Akush. i gin. 40 no.4:82-86 JI-Ag '64. (MIRA 1814)

1. Krymskiy oblastnoy onkologicheskoy dispenser (glavnyy vrach
O.D.Firsova), Simferopol'.

KUKLINA, A. S. Cand Med Sci -- (diss) "Consequences of the
~~Elimination~~^{Dissecting} of the Anterior Cerebral Arteries in Dogs and the
Effect of This Operation^{up} on Higher Nervous Activity." Mos, 1956.
14 pp 20 cm. (Academy of Medical Sciences USSR), 200 copies
(KL, 26-57, 113)

- 122 -

KUKLINA, A. S.

Sequels of excluding anterior cerebral arteries in dogs and the effects of this operation on the higher nervous activity. Vopr. neurokir. 21 no.2:46-50 Mr-Apr '57 (MLRA 10:5)

1. Laboratoriya eksperimental'noy patofiziologii vyshey nervnoy deyatel'nosti zhivotnykh Instituta nevrologii Akademii meditsinskikh nauk SSSR.

(BRAIN, blood supply

exclusion of anterior cerebral arteries in dogs, eff. on higher nerv. funct.)

(CENTRAL NERVOUS SYSTEM

eff. of exclusion of anterior cerebral arteries in dogs on higher nerv. funct.)

PODGORNAYA, A.Ya., doktor med.nauk; KUKLIHA, A.S., kand.med.nauk (Moskva)

Clinical aspects of epileptic seizures in tumors of the cerebral hemispheres [with summary in English, p.63]. Vop.neirokhir. 23 no.1:12-17 '59. (MIRA 12:3)

1. Iz Nauchno-issledovatel'skogo ordena Trudovogo Krasnogo Znameni instituta neyrokhirurgii imeni akademika N.N. Burdenko AMN SSSR.
(BRAIN NEOPLASMS, compl.
epilepsy (Rus))
(EPILEPSY, etiol. & pathogen.
neoplasms (Rus))

KUKLINA, A. S.

Conditions for the development of collateral blood circulation
in simultaneous experimental exclusion of both anterior cerebral
arteries and the sequelae of this operation. Nauch. trudy Inst.
nevr. AMN SSSR no.1:422-427 '60. (MIRA 15:7)

1. Institut nevrologii AMN SSSR.

(BRAIN--SURGERY) (BRAIN--BLOOD SUPPLY)

KUKLINA, A.S.

Change in higher nervous activity in dogs following exclusion of both anterior cerebral arteries. Zhur. vys. nerv. deiat. 10 no.2: 246-251 Mr-Apr '60. (MIRA 14:5)

1. Laboratory of Experimental Pathophysiology of Higher Nervous Activity of Animals, Institute of Neurology, U.S.S.R. Academy of Medical Sciences, Moscow.
(NERVOUS SYSTEM) (CEREBRAL ARTERIES)

KUKLINA, A.S.

Some characteristics of the clinical pathology of cerebrocranial injuries in fractures of the base of the skull. Vop.neirokhir. 24 no.4:20-24 Je-Ag '60. (MIRA 13:12)
(SKULL--FRACTURE) (BRAIN--WOUNDS AND INJURIES)

KUKLINA, A.S., kand. med. nauk (Moskva)

Dynamics of the symptoms of a lesion of the brain stem in severe
cranio-cerebral injury. Vop. neurokhir. 27 no.6:12-14 N-D '63.

(MIRA 17:12)

1. Nauchno-issledovatel'skiy ordena Trudovogo Krasnogo Znameni
institut neyrokhirurgii imeni N.N. Burdenko (direktor - prof. B.G.
Yegorov) AMN SSSR.

ACCESSION NR: AT4010230

S/3056/63/000/000/0092/0101

AUTHOR: Ivanova, N. M.; Kuklina, G. M.; Sedunov, Yu. S.

TITLE: Method for measuring the ionic spectrum from a high meteorological tower

SOURCE: Issledovaniye nizhnego 300-metrovogo sloya atmosfery*. Moscow, 1963, 92-101

TOPIC TAGS: meteorology, meteorological tower, electrical field, ionic spectrum, atmospheric electricity

ABSTRACT: High meteorological towers are very valuable for continuous monitoring of a variety of parameters (wind velocity and pulsation, temperature, pressure, etc.) which affect the measurable characteristics of atmospheric electricity, since observations can be made in all kinds of weather at altitudes up to 310 meters. However, the problem arises of distortions in the readings due to the tower itself. The authors therefore calculated the distribution of the electrical field and ionic density around a tower and used these calculated deflections to devise a method for measuring the concentration and spectrum of light ions around a tower. The results show that the field voltage is increased and the direction changed near a tower, the horizontal component of the field increasing with height and the vertical component increasing with distance from the tower. The ionic spectrum is also

Card

1/2

ACCESSION NR: AT4010230

changed near a tower, although at a distance, the concentrations of positive and negative ions become equal. In clear weather, there is a "dead" zone for negative ions around a tower, the radius of which increases with field voltage, height, and ionic mobility and decreases with increasing wind velocity. Orig. art. has: 7 figures and 16 formulas.

ASSOCIATION: none .

SUBMITTED: 00

DATE ACQ: 20Feb64 .

ENCL: 00

SUB CODE: AS

NO REF SOV: 005

OTHER: 001

Card

2/2

KUKLINA, L.A.

Dynamics of the species composition of herbage in forest clearings of the northern part of Sverdlovsk Province. Bot. zhur. 45 no.1:90-97 Ja '60. (MIRA 13:5)

1. Sverdlovskiy sel'skokhozyaystvennyy institut.
(Ivdel' region--Forest ecology)

KUKLINA, L.A.

Comparative anatomy of the vegetative organs in plants
of the crowfoot family. Biul. Glav. bot. sada no.42:66-75
'61. (MIRA 17:3)

1. Sel'skokhozyaystvennyy institut Sverdlovska.

KUKLINA, M. R., Candidate Biol Sci (diss) -- "The significance of light intensity in the development of cucumbers". Leningrad-Pushkin, 1959. 15 pp (Min Agric USSR) Leningrad Agric Inst), 120 copies (KL, No 24, 1959, 132)

Кубань, М.П.

SOV/16-29-6-14/46

17(12)

AUTHORS:

Sukhom, M.M., Smayder, Ye.V., Yerofeeva, T.V., Zlatovskaya, Ye.V. and ~~Shalun, M.P.~~

TITLE:

A Comparative Evaluation of the Efficacy of Measures to Combat Synanthropic Flies Using DDT, BCH and Chlorophos, and the Further Prospects in Destroying These Insects

PERIODICAL:

Zhurnal mikrobiologii, epidemiologii i immunologii, 1959, Nr 6, pp 66-73 (USSR)

ABSTRACT:

Because of the disappointing effects of DDT and BCH in combating flies in areas where these drugs have been used for a number of years, many authors maintain that the flies have developed a resistance to these agents (Baranova-Ukova, Morozova). Furber, V.I. Vishov, G. G. and M. A. Sazonova maintain that the insecticidal properties of DDT and BCH vary with the climatic factors, the physical condition of the surface under treatment and the physiological condition of the insects. The present work gives the results of the studies of fly-clearance work carried out in different districts of Minsk by the Minskaya gornitskaya desinfektatsionnaya stantsiya (Minsk City Disinfection Station) using DDT, BCH and chlorophos. It was found that the combined use of one drug from

Card 1/2

each group (chlorine organic compounds, i.e. DDT, hexachloras and hexachlorocyclopentadiene, i.e. chlorophos, carbophos) considerably increased the effectiveness of the anti-fly campaign, especially in areas without sewage facilities. Identical results were obtained in all sections of the city. These underlined the need for adequate garbage disposal and proper sanitation and sewage facilities to make the anti-fly measures really successful. There are: 2 graphs, 1 figure and 7 Soviet references.

ASSOCIATION:

Tsentral'nyy nauchno-issledovatel'skiy desinfektatsionnyy Institut (Central Disinfection Research Institute)

SUBMITTED:

March 6, 1958

Card 2/2

KLEBANOV, M.A., prof. (Kiyev); Prinimali uphastiye: BEREZITSKIY, A.V. (Kiyev);
PEKAR', P.P.; SAVENKOV, D.I.; TARANENKO, M.I.; MELAMED, M.A.;
BORSHCHEVSKIY, M.L. (Odessa); VIL'NYANSKIY, L.I. (Khar'kov);
SOKOLOVA, Yu.I. (Khar'kov); ABERMAN, A.A.; KULAKOVA, S.A. (Simferopol');
FUKS, R.A. (Dnepropetrovsk); BEZNOVA, Zh.A. (Vinnitsa); KUKLINA,
N.P. (Zhitomir); SIDORENKO, G.P. (Chernovitsy); D'YACHENKO, N.S.
(Stanislav).

Reduction in the periods of therapeutic pneumothorax following its
use in combination with antibacterial therapy. Vrach. delo no.12:
36-40 D '60. (MIRA 14:1)

1. Ukrainskiy institut tuberkuleza imeni F.G.Yanovskogo (for Klebanov).
2. Dispanser Yugo-Zapadnykh zheleznnykh dorog (for Aberman).
(PNEUMOTHORAX) (TUBERCULOSIS)

YERMAKOV, V.M.; KUKLINA, N.V.

In the Atkar Production Administration. Zashch. rast. ot vred.
i bol. 9 no.3:5-7 '64. (MIRA 17:4)

1. Glavnyy agronom Atkarskogo proizvodstvennogo upravleniya,
Saratovskoy oblasti (for Yermakov). 2. Nachal'nik otryada po
zashchite rasteniy Atkarskogo proizvodstvennogo upravleniya,
Saratovskoy oblasti (for Kuklina).

TUROVA-POLYAK, M.B.; DANILOVA, N.V.; KUKLINA, N.V.

Catalytic alkylation of chlorobenzene with propyl alcohols. Zhur.
ob.khim. 26 no.7:1936-1940 J1 '56. (MIRA 9:10)

1. Moskovskiy gosudarstvennyy universitet.
(Propanol) (Benzene) (Alkylation)

AKULOV, V.V., kand.geogr.nauk; BABUSHKIN, L.N., doktor geogr.nauk;
 ORESHINA, L.M.; SKVORTSOV, Yu.A., doktor geol.-mineral.nauk;
 PETROV, N.P., kand.geol.-mineral.nauk; CHERNEVSKIY, N.N.;
 KRYLOV, M.M., doktor geol.-mineral.nauk; KHASANOV, A.S.;
 BEDER, B.A., kand.geol.-mineral.nauk; KIMBERG, N.V., kand.
 sel'skokhoz.nauk; SUCHKOV, S.P.; GLAGOLEVA, A.F.; PERVU-
 SHINA-GROSHEVA, A.N.; VERNIK, R.S., kand.biol.nauk; MOMOTOV,
 I.F.; GRANITOV, I.I., kand.biol.nauk; SALIKHBAYEV, Kh.S., kand.
 biolog.nauk; STEPANOVA, N.A., kand.biolog.nauk; YAKHONTOV, V.V.;
 DAVLETSHINA, A.G., kand.biolog.nauk; MURATBEKOV, Ya.M., kand.
 biolog.nauk; [deceased]; KUKLINA, T.Ye.; KORZHENEVSKIY, N.L., red.
 [deceased]; GORBUNOV, B.V., kand.geologo-mineral.nauk, red.;
 DONSKOY, P.V., red.; YAKOVENKO, Ye.P., red.izd-va; GOR'KOVAYA,
 Z.P., tekhn.red.

[Materials on the productive forces of Uzbekistan] Materialy po
 proizvoditel'nyim silam Uzbekistana. Tashkent. No.10. [Natural
 conditions and resources of the lower reaches of Amu-Darya;
 Kara-Kalpak A.S.S.R. and Khorezm Province of the Uzbek S.S.R.]
 Prirodnye usloviia i resursy nizov'ev Amu-Dar'i; Kara-Kalpakskaya
 ASSR i Khorezmskaya oblast' UzSSR, 1959. 351 p. (MIRA 13:5)

1. Akademiya nauk Uzbekskoy SSR, Tashkent. Sovet po izucheniyu
 proizvoditel'nykh sil. 2. Chleny-korrespondenty AN UzSSR (for
 Yakhontov, Korzhenevskiy).
 (Amu-Darya Valley--Physical geography)

KUKLINA, T.Ye.

Some data on ticks of Kashki-Darya Province, Uzbek S.S.R.
Uzb.biol.zhur. no.4:66-71 '59. (MIRA 13:1)

1. Institut zoologii i parazitologii AN UzSSR.
(Kashka-Darya Province--Ticke)

KUKLINA, T.Ye.

Ticks of the superfamily Ixodoidea in the Angren Valley. Uzb.
biol. zhur. no. 4:62-68 '60. (MIRA 13:10)

1. Institut zoologii i parazitologii AN UzSSR.
(ANGREN VALLEY--TICKS)

KUKLINA, T.Ye.

Ixodidae in Surkhan-Darya Province. Uzb. biol. zhur. 6
no.1:51-56 '62. (MIRA 15:3)

1. Institut zoologii i parazitologii AN UzSSR.
(SURKHAN-DARYA PROVINCE—TICKS)

KUKLINA, T.Ye.

Time for oviposition and embryonic development of the tick
Hyalomma anatolicum Koch. Vop.biol.i kraev.med. no.3:182-189
'62. (MIRA 16:3)

(TICKS)

KUKLINA, T. Ye.

Duration of feeding and the behavior of satiated females of
Hyalomma anatolicum Koch. Uzb. biol. zhur. 8 no.5:75-78 '64
(MIRA 18:2)

1. Institut zoologii i parazitologii AN UzSSR.

KUKLINA, T. Ya.

Study of nymphs in Uzbekistan. Uzb. biol. znan. 9 no. 3:162-164
165. (KIRA 18:2)

1. Institut zoologii i parazitologii AN UzSSR.

KUKLINA, V. A.

KULAGIN, S.G.; KOVBASYUK, L.D.; DAGAYEV, M.M.; ROZENBLYUM, N.D.; YEGORCHENKO, I.P. (Irkutsk); KAVERIN, A.A. (Irkutsk); KONSTANTINOVA, T.G. (Irkutsk); KUKLINA, V.A. (Irkutsk); KUKLIN, G.V. (Irkutsk); SAZONOVA, Z.G., (Irkutsk); CHERNYKH, L.I. (Irkutsk); CHERNYKH, N.S. (Irkutsk); DEMIDOBICH, Ye.G.; BRONSHTEN, V.A.; YAKHONTOVA, N.S. (Leningrad); PEROVA, N.B.; DOKUCHAYEVA, O.D.; KATASEV, L.A.; KLYAKOTKO, M.A.; PARENAGO, P.P.; SHCHERBINA-SAMOYLOVA, I.S.; MASEVICH, A.G.; RYABOV, Yu.A.; SHCHENGOV, V.P.; PEREL', Yu.G.; MARTYNOV, D.Ya.; FEDYNSKIY, V.V.; VORONTOV-VEL'YAMINOV, B.A.; ZIGEL', F.Yu.; BAKULIN, P.I., otv.red.; RAKHLIN, I.Ye., red.; AKHLAMOV, S.N., tekhn.red.

[Astronomical calendar] Astronomicheskii kalendar'. [A yearbook; variable section for 1959] Ezhegodnik. Peremennaya chast', 1959. Red.kollektiva F.I. Bakulin i dr. Moskva, Gos.izd-vo fiziko-matem.lit-ry, 1958. 370 p. (Vsesoyuznoe astronomo-geodezicheskoe obshchestvo, no.62) (MIRA 12:2)

1. Gosudarstvennoye astronomo-geodezicheskoye obshchestvo (for Kulagin, Kovbasyuk, Demidovich). 2. Moskovskoye otdeleniye Vsesoyuznogo astronomo-geodezicheskogo obshchestva (for Dagayev, Rozenblyum, Bronshten, Perova).

(Astronomy--Yearbooks)

KUKLINA, V.A.; ODINOKOV, V.G.

"Platon Alekseevich Oiunskii; on his 65th birthday." Reviewed
by V.A. Kuklina, V.G. Odinkov. Izv. Sib. otd. AN SSSR no.7:
133-134 '61. (MIRA 14:8)
(Oiunskii, Platon Alekseevich, 1896--)

KOROBKOV, G.G.; KUKLINA, Ye.A.

Pathogenesis of plague intoxication. Dokl. Irk. gos. nauch.-issl.
protivochn. inst. no.5296-98 '63 (MIRA 18:1)

KUKLINA-KHRUSHCHEVA, YE. P.

Mycorrhiza

Significance of the mycorrhiza in the formation of wheat yield. Sov. agron. 10 No. 10, 1952.

MONTHLY LIST OF RUSSIAN ACCESSIONS, LIBRARY OF CONGRESS, DECEMBER 1952. Unclassified.

10707* ~~Handwritten notes~~
Kuplova, Paul ~~Handwritten notes~~
Feb 1984 p. 48 ~~Handwritten notes~~
Economic and Commercial Intelligence

KUKLINEK, R.

Machinery equipment for the production of leather and rubber footwear. p. 26.
(Czechoslovak Heavy Industry, No. 12, 1956. Prague, Czechoslovakia)

SO: Monthly List of East European Accessions. (EEAL) LC. Vol. 6, No. 6,
June 1957. Uncl.

KUKLINOV, B. A.

KUKLINOV, B. A.: "Investigation of the operation of the rails of narrow-gauge forest railroad lines." Min Higher Education USSR. Leningrad Order of Lenin Forestry Engineering Academy imeni S. M. Kirov. Leningrad, 1956. (Dissertation for the degree of Candidate in Technical Science.)

Source: Knizhnaya letopis' No. 28 1956 Moscow

KUKLINOV, B.A.

Investigating materials used for building rails of narrow-gauge logging railroads. Trudy LTA no.86:3-12 '58 (MIRA 13:3)

1. Kafedra sukhoputnogo transporta lesa Leningradskoy ordena Lenina lesotekhnicheskoy akademii imeni S.M. Kirova.
(Railroads, Narrow-gauge--Rails)

KUVAL'DIN, Boris Ivanovich, dots.; MOROZOV, Sergey Aleksandrovich,
dots.; SHALAYEV, S.A., inzh., retsenzent; KORCHUNOV, N.G.,
prof., retsenzent; KUKLINOV, B.A., dots., retsenzent;
MEN'SHUTKIN, Ya.G., dots., retsenzent; SYROMYATNIKOV, S.A.,
dots., red.; PITERMAN, Ye.L., red.izd-va; SHIEKOVA, R.Ye.,
tekhn. red.

[Planning logging truck roads] Proektirovanie lesovoznykh
avtomobil'nykh dorog. Moskva, Goslesbumizdat, 1962. 331 p.
(MIRA 16:7)

(Forest roads)

POPOV, Dmitriy Aleksandrovich prof. [deceased]; KORCHUNOV, Nikolay Grigor'yevich prof.; KUKLINOV, Boris Alekseyevich, dots.; MENSHTUKIN, Yakov Grigor'yevich, dots.; KUALDIN, Boris Ivanovich, dots.; ALYSHEV, Ivan Fedorovich, dots.; SHCHELKUNOV, Valentin Vasil'yevich, dots.; NIKOL'SKIY, Boris Vasil'yevich, dots.; KORUNOV, M.M., prof., retsenzent; DOROKHOV, B.A., red.

[Land transportation of lumber] Sukhoputnyi transport lesa. [By] D.A.Popov i dr. Moskva, Goslesbumizdat, 1963. 863 p.
(MIRA 17:5)

ALLIANCE

KUBERSKI, Zdzislaw; KUKLINSKA, Zofia

Nicotinic acid therapy of multiple sclerosis. *Neurologia etc.*
polska 4 no.2:145-152 Mar-Apr 54.

1. Z Kliniki Chorob Nerwowych Akademii Medycznej w Lodzi. Kierownik:
prof. dr. E.Herman.

(MULTIPLE SCLEROSIS, therapy,
nicotinic acid)

(NICOTINIC ACID, therapeutic use,
multiple sclerosis)

KOPACKA, Bronislawa; KUKLINSKA-MISZCZYK, Danuta

Some antigenic properties of *S. typhi* O and Vi diagnostic preparations. Med. dosw. mikrobiol. 16 no.4:259-263 '64

1. Z Zakładu Bakteriologii Państwowego Zakładu Higieny w Warszawie (Kierownik: prof. dr. E. Wojciechowski).

KUKLINSKI, A; PUTKOWSKI, E.

Problem of raw materials in the structural ceramics industry in Warsaw Voivodeship,
p. 62. (MATERIALY BUDOWLANE, Warszawa, Vol. 10, no. 3, Mar. 1955.)

SO: Monthly List of East European Accessions, (EEAL), LC, Vol. 4, No. 6, Jun. 1955,
Uncl.

KUKLINSKI, A.

Research problems in locating factories of the silica cement industry, p. 123

Vol. 10, no. 5, May 1955, MATERIALY BUDOWLANE

SO. MONTHLY LIST OF EAST EUROPEAN ACCESSIONS, (ZEAL), Vol.4, LC, No.9 ,

Sept. 1955, Uncl.

KUKLINSKI, A

Role of local building materials in the development of housing construction in
Poland. p. 240.

MATERIALY BUDOWLANE Vol. 10, No. 9, Sept. 1955

(Naczelna Organizacja Techniczna) Warszawa.

SOURCE: EAST EUROPEAN ACCESSIONS LIST. Vol. 5, No. 1 Jan. 1956

KUKLINSKI, A.

Problems of reconnaissance charts of a building area. P. 11
MATERIALY BUDOWLANE (Naczelna Organizacja Techniczna) Warszawa
Vol. 11, no. 1, Jan. 1956

SOURCE: EEAL IC Vol. 5, no. 7, July 1956

KUKLINSKI, A.

KUKLINSKI, A. I. Kostrowicka's Z badan nad przemianami w lokalizacji przemslu;
na przykladzie przemyslu tartacznoego (Studies on the Changes in Industrial
Location; the Sawmill Industry); a book review. p. 638.

Vol. 28, no. 3, 1956
ATLAS POLSKICH STROJOW LUDOWYCH
Poland

So: East European Accession, Vol. 6, No. 5, May 1957

KUKLINSKI, A.; NAJGRAKOWSKI, M.; KIERNOZYCKI, A.

Discussion concerning indexes of the 6-Year Plan; a few bitter words concerning indexes of increase in the production of basic building materials. p.121
(MATERIALY BUDOWLANE, Vol. 12, No. 4, Apr. 1957, Warsaw, Poland)

SO: Monthly List of East European Accessions (EFAL) LC, Vol. 6, No. 9, Sept. 1957, Uncl.

KUKLINSKI, ANTONI

POLAND/Solid State Physics - Phase Transitions in Solids

E-6

Abs Jour : Ref Zhur - Fizika, No 4, 1958, 8282

Author : Kuklinski Antoni

Inst : Not Given

Title : Tendency of Austenite Grains to Grow, and the Mc-Quaid-Ehwa Tests.

Orig Pub : Wiadom. hutn., 1957, 13, No 6, 175-180

Abstract : No abstract

Card : 1/1

KUKLINSKI APPROVED FOR RELEASE: 08/23/2000 CIA-RDP86-00513R000927310013-5

"Some Problems of the Utilization of Water Power in Poland." P. 152,
(PRZEGLAD GEOGRAFICZNY. POLISH GEOGRAPHICAL REVIEW, Vol. 26, No. 2, 1954, Warszawa,
Poland.)

SO: Monthly List of East European Accessions, (EEAL), LC, Vol. 3,
No. 12, Dec, 1954, Uncl.

KUKLINSKI, A.

6th Session of the Scientific Council of the Institute of Geography of the
Polish Academy of Sciences, June 17, 1955

p. 430
Vol. 28, no. 2, 1956
PRZEGLAD GEOGRAFICZNY
Warszawa

SO: Monthly List of East European Accessions (EEAL), 10, Vol. 5, no. 12
December 1956

KUKLINSKI, A.

7th Session of the Scientific Council of the Institute of Geography of the
Polish Academy of Sciences, November 12, 1955.

p. 436
Vol. 28, no. 2, 1956
PRZEGLAD GEOGRAFICZNY
Warszawa

SO: Monthly List of East European Accessions (EEAL), LC, Vol. 5, no. 12
December 1956

KUKLINSKI, A.

KUKLINSKI, A. Session of the Geographical Committee, Polish Academy of Sciences, for 1955. p. 651.

Vol. 28, no. 3, 1956
ATLAS POLSKICH STROJOW LUDOWYCH
Poland

So: East European Accession, Vol. 6, No. 5, May 1957

KUKLINSKI, A.

Changes in the distribution of the Polish cement industry in the years 1938-1960. p.647.

PRZEGLAD GEOGRAFICZNY. Warszawa, Poland. Vol.30, no.4, 1958.

Monthly List of East European Accessions Index (EEAI), LC. Vol. 8, No. 9, September 1959
Uncl.

KUKLINSKI, Antoni

Problems in the location of brickmaking industry in Poland. Przegł
geogr Suppl. to 32:161-167 '60. (EEAI 10:4)

1. Polish Academy of Sciences, Institute of Geography, Department of
Industrial Geography, Warsaw.
(Poland--Bricks)

KUKLINSKI, Antoni

"Regions, Resources and Economic Growth" by H. S. Perloff and others.
Reviewed by Antoni Kuklinski. Przegl geogr 33 no.4:737-743 '61.

1. Członek Komitetu Redakcyjnego kwartalnika "Przegląd Geograficzny".

KUKLINSKI, Antoni, dr.

Inland market problems of the Polish cement industry.
Cement wapno gips 17 no:3:76-89 Mr '62.

1. Instytut Geografii Polskiej Akademii Nauk, Warszawa.

KUKLINSKI, Antoni

Methods of investigating the localization of particular industry branches. Przegl geogr 34 no.1:143-152 '62.

1. Sekretarz redakcji kwartalnika "Przegląd Geograficzny".

KUKLINSKI, Antoni

"Space survey - 25 years of space surveying in Germany".
Reviewed by Antoni Kuklinski. Przegl geogr 34 no.1:216-218
'62.

KUKLINSKI, Antoni

"U.S.A. The domination of a continent" by H. Boesch. Reviewed
by Antoni Kuklinski. Przegl geogr 34 no.2:428-429 '62.

KUKLINSKI, Antoni

Plenary Session of the Committee of Spatial Development of the
Country of the Presidium of the Polish Academy of Sciences.
Przełł geogr 35 no.1:142-143 '63.

LESZCZYCKI, Stanislaw; KUKLINSKI, Antoni

Development prospects of industrial geography in Poland.
Przegł geogr 36 no. 2:215-225 '64.

KUKLINSKI, Antoni

Remarks on a particular concept of the geography of industry.
Przeegl geogr 36 no. 2:355-361 '64.

KUKLINSKI, E.

KUKLINSKI, E.

"Plasters on Laths." p. 249, Warszawa, Vol. 25, no. 7, July 1953.

SO: East European Accessions List, Vol. 3, No. 9, September 1954, Lib. of Congress

KUKLINSKI, Edward

(Warszawa)

Application of Styropian and Planizol in construction.
Przeegl budowl i bud mieszk. 33 no.1:46-48 Ja '61