

KOTYUKHIN, A.

Difficulties encountered in deciphering radar returns in the Arctic.
Mor.flot 19 no.8:37 Ag '59. (MIRA 12:11)

1. Starshiy inzhener gruppy Gidrograficheskogo predpriyatiya Glav-
sovmorputi.

(Arctic regions--Radar in navigation)

KOTYUKOV, A. YE.

Oak

Results of analyzing varieties of oak (*Quercus robur* L.) according to a phenological criterion. Trudy Inst. lesa 8 '51.

Monthly List of Russian Accessions, Library of Congress, September 1952. UNCLASSIFIED.

KOTYUKOV, D.A., inzh.

Laying underground piping without trenches by pulling it through.
Mekh.stroi. 19 no.11:12-14 N '62. (MIRA 15:11)
(Pipelines)

KOTYUKOV, D.A., inzh.

Selecting methods of trenchless laying of in-block underground
lines. Trudy Zap.-Sib. fil. ASIA no.7:165-177 '62.

(MIRA 18:2)

KOTYUKOV, I.A., kand.tekhn.nauk

Form of box curves of switch assemblies used for high traffic
speeds. Vest.TSNII MPS 18 no.4:30-35 Ja '59.
(MIRA 12:10)

1. Novosibirskiy institut inzhenerov zheleznodorozhnogo transporta.
(Railroads--Curves and turnouts) (Railroads--Switches)

DANOVSKIY, L.M., kand.tekhn.nauk; KOTYUKOV, I.A., kand.tekhn.nauk;
KONDAKOV, N.P., kand.tekhn.nauk; SBATALIN, I.I., kand.
tekhn.nauk; GROMOV, L.K., kand.tekhn.nauk; PZCHUGIN, D.A.,
dots.; MIROSHIN, P.V., dots.; SHCHEPOTIN, K.I., assistant
(Novosibirsk)

New textbook on tracks ("Tracks" by G.Al'brekht and others.
Reviewed by L.M.Danovskii and others). Put' put.khoz.
4 no.4:45-47 Ap '60. (MIRA 13:7)

1. Sotrudniki kafedry "Put' i putevoye khozyaystvo"
Nauchno-issledovatel'skogo instituta inzhenerov.
(Railroads--Track) (Al'brekht, G.) (Liders, G.V.)
(Nikiforov, P.A.) (Chlenov, M.T.) (Chernyshev, M.A.)

DANOVSKIY, Leonid Mechislavovich, dots., kand. tekhn. nauk; GROMOV, L.K., kand. tekhn. nauk, dotsent; ANTONOV, Yu.A., dots.; MIL'CHAKOV, K.V., inzh.; KOTYUKOV, I.A., kand. tekhn. nauk, dotsent; CHASHCHIN, N.P., inzh.; MIROSHIN, P.V., dotsent; INOZEMTSEV, A.A., inzh.; PECHUGIN, D.A., dotsent; KOVALEV, N.F., inzh.; SINKIN, P.A., inzh.; POTOTSKIY, G.I., inzh., red.; USENKO, L.A., tekhn. red.

[Track work in sections with heavy freight traffic; from the experience of the Omsk and Tomsk Railroads] Putevye raboty na gruzonapriazhennykh uchastkakh; iz opyta Omskoi i Tomskoi dorog. Moskva, Vses. izdatel'sko-poligr. ob'edinenie M-va putei soobshcheniya, 1961. 102 p. (MIRA 14:7)
(Railroads—Maintenance and repair) (Railroads—Freight)

KOTYUKOV, I.A., kand.tekhn.nauk

Increasing the traffic speed on existing switch types. Vest.TSNIIMPS
21 no.7:48-52 '62. (MIRA 15:12)

(Railroads—Switches)

KOTYUKOV, I.A., dotsent, kand.tekhn.nauk

Differentiated norms of labor expenditure for the current maintenance
of switches. Trudy NIIZHT no.51:32-43 '62. (MIRA 16:9)
(Railroads—Switches) (Railroads—Management)

BULANOV, N.G.; OBOROTISTOV, A.L.; KOTYUKOV, I.A.

Excellent maintenance of switches. Put' i put. khoz. 8 no.1:
9-12 '64. (MIRA 17:2)

1. Altayskaya distantiya puti Zapadno-Sibirskoy dorogi.

ACCESSION NR: APA011722

S/0055/64/000/001/0060/0064

AUTHOR: Kotyukov, V. G.

TITLE: Nonlinear flutter of plates

SOURCE: Moscow. Universitet. Vestnik. Seriya 1. Matematika, mekhanika, no. 1, 1964, 60-64

TOPIC TAGS: flutter, nonlinear flutter, supersonic gas flow, stability, small parameter, Galerkin method, nonlinear differential equations, periodic solution, gas flow

ABSTRACT: The author investigates nonlinear flutter in a rectangular plate supported on the contour, with sides a and b , in supersonic gas flow directed along the side a . The aerodynamic pressure of the gas on the plate is computed by an approximate quasistationary formula due to A. A. Il'yushin (Zakon ploskikh secheniy pri bol'shikh sverkhzvukovykh skorostyakh. PFM, XX, vy*p. 6, 1956.). The formulation of the problem, the method of solution, and the notation are taken from V. V. Bolotin (Nelineyny* flutter plastin i obolochek. "Inzhenerny*y sbornik", 28, 1960.). A three-term representation is assumed for the deflection. By Galerkin's method, the problem is reduced to the investigation of a system of three nonlinear differential equations. The amplitudes and frequencies of steady-state flutter

Card 1/3

ACCESSION NR: AP4011722

vibrations are determined to a first approximation by the small parameter method. Let A be the amplitude of the steady-state oscillations and let P_1 be the first correction on the frequency. Let v be the dimensionless parameter of velocity, and v_* the critical value of the linearized system corresponding to the nonlinear system mentioned above; k is one of the constants occurring in this system. Then

$$A = A_0 \sqrt{(v - v_*)k} \quad (1)$$

and

$$P_1 = P_0 (v - v_*)k, \quad (2)$$

where h is a constant multiplier in the three-term expansion.

$\frac{a}{h}$	300	150	100	75
A_0^I	0,5049	0,5315	—	—
A_0^{II}	0,2766	0,2798	0,5505	—

Card 2/3

ACCESSION NR: AP4011722

Here A_0^I denotes A_0 in the case of freely displaced edges, and A_0^{II} denotes A_0 in the case of nondisplaced edges. The stability of the obtained stationary solution is proved also by the small parameter method. Orig. art. has: 10 formulas.

ASSOCIATION: Moskovskiy universitet, Kafedra teorii uprugosti (Moscow University, Department of Elasticity Theory)

SUBMITTED: 29Jun63

DATE ACQ: 14Feb64

ENCL: 00

SUB CODE: PH

NO REF SOV: 004

OTHER: 000

Card 3/3

61332-65

ACCESSION NR: AP5022048

UR/0286/65/000/014/0116/0116
629.13.01/06

16
B

AUTHOR: Tkachev, E. D.; Pichugin, A. A.; Minayev, Ye. N.; Katyukov, V. G.

TITLE: Shock absorber for parachuted loads. Class 62, No. 173127

SOURCE: Byulleten' izobretaniy i tovarnykh znakov, no. 14, 1965, 116

TOPIC TAGS: air drop shock absorber, air dropped supply

ABSTRACT: An Author Certificate has been issued for a shock absorber for parachuted loads (liquid-filled barrels or vessels). To protect the load at ground impact, the shock absorber is made in the form of a base made of wood or some other similar material attached by a band to the bottom part of the load. The base is a shaped spherical segment with a stepped edge. The center of the base's spherical segment is above the barrel's center of gravity (see Fig. 1 of Enclosure).
Orig. art. has: 1 figure.

[LB]

ASSOCIATION: none

Card 1/3

L 61332-45

ACCESSION NR: AP5022048

SUBMITTED: 02 Jun 59

ENCL: 01

SUB CODE: AC

NO REF SOV: 000

OTHER: 000

ATD PRESS:

Cont 2/3

I 64332-65

ACCESSION NR: AP5022048

ENCLOSURE: 01

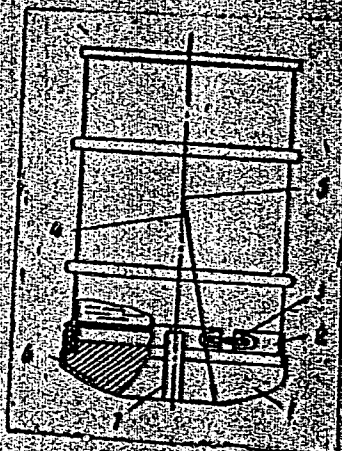


Fig. 1. Shock absorber

- 1 - base; 2 - attaching band;
- 3 - tensioning bolt; 4 - barrel's center of gravity; 5 - base's center of gravity [sic]; 6 - grooves;
- 7 - tie straps.

Card 3/3

KHLYSTOV, A.S.; KOTYUKOV, Yu.N.

Ferromagnetic resonance in ferrite. Izv. vys. ucheb.zav.; Fiz.
no.1:86-89 '58. (MIRA 11:6)

1.Sibirskiy fiziko-tekhnicheskoy institut pri Tomskom gosuniversitete
imeni V.V. Kuybysheva.

(Ferrite--Magnetic properties)

KOTLYKOV, G. N.

PHASE I BOOK EXPLOITATION: SOV/893

Vsesoyuznoye soveshchaniye po fizike, fiziko-khimiicheskiye svoystva ferritov i fizicheskie osnovy ikh primeneniya. 3d, Minsk, 1959
Ferrity; fizicheskiye i fiziko-khimiicheskiye svoystva. Doklady (Ferrites; Physical and Physicochemical Properties. Reports) Minsk, Izd-vo AN BSSR, 1960. 655 p. Errata slip inserted. 4,000 copies printed.

Sponsoring Agencies: Nauchnyy sovet po magnetizmu AN SSSR. Otdel fiziki tverdogo tela i poluprovodnikov AN BSSR.

Editorial Board: Resp. Zed.: M. M. Sirota, Academician of the Academy of Sciences USSR; K. P. Belyy, Professor; Ye. I. Kondorskiy, Professor; K. M. Polivanov, Professor; R. V. Telesnin, Professor; G. A. Gerasimov, Candidate of Sciences; M. Shol'ts, Candidate of Physical and Mathematical Sciences; K. M. Smolyarenko; and L. A. Baskin; Ed.: I. Volobzhanovich.

PURPOSE: This book is intended for physicists, physical chemists, radio electronics engineers, and technical personnel engaged in the production and use of ferrimagnetic materials. It may also be used by students in advanced courses in radio electronics, physics, and physical chemistry.

COVERAGE: The book contains reports presented at the Third All-Union Conference on Ferrites held in Minsk, Belorussian SSR. The reports deal with magnetic transformations in ferrites, galvanomagnetic properties of ferrites, studies of electrical and chemical analysis of ferrites, problems in the chemical growth of ferrites, studies of ferrites and physical properties of ferrites, rectangular hysteretic loops and multicomponent ferrite systems exhibiting spontaneous magnetization, problems in magnetic attraction, highly coercive ferrites, magneto-optics, magnetic spectroscopy, ferromagnetic resonance, magneto-optics, physical principles of ferrite components in electronic circuits, anisotropy of ferrites, and magnetic properties, etc. The Committee on Magnetism, AN BSSR (S. V. Vonsovskiy, Chairman) organized the conference. References accompany individual articles.

Ferrites (Cont.)

Perkalina, T. M., and A. A. Askochenskiy. Investigation of the Ferromagnetic Resonance of a Cobalt Ferrite in an Internal Field of Anisotropy	501
Zyryanov, P. J., T. G. Iznyova, and G. V. Sirotskiy. The Effect of Electronic Magnetic Resonance on the Optical Properties of Ferromagnetic and Paramagnetic Dielectrics	505
Izmaylov, Yu. A., and G. V. Sirotskiy. Magnetic Spin Resonance in Conduction Electrons in Alkali and Ferromagnetic Metal	513
Kotlykov, G. N., and A. M. Buryshcheva. The Effect of Anisotropy of Magnetic Stresses on Ferromagnetic Resonance Absorption in Nickel Ferrite	519
Chabchira, Z. M., V. A. Fabrikov, and V. D. Kudryavtsev. Temperature Characteristics of Ferrite Components in SHF Devices	522

Card 15/18

Card 1/18

24.7900 (1055, 1144, 1163)

30517
S/194/61/000/008/076/092
D201/D304

AUTHORS: Kotyukov, Yu.N. and Burnysheva, A.N.

TITLE: The effect of anisotropic elastic stresses on the ferromagnetic resonance absorption in nickel ferrite

PERIODICAL: Referativnyy zhurnal. Avtomatika i radioelektronika, no. 8, 1961, 53, abstract 8 I340 (V sb. Ferrity. Fiz. i fiz.-khim svoystva, Minsk, AN BSSR, 1960, 519-521)

TEXT: The quantitative experimental investigation into the effect of elastic stresses and on the ferromagnetic resonance in polycrystalline cylindrical samples of nickel ferrite was carried out by measuring the SHF power at a frequency of 9000 mc/s, transmitted through a section of a rectangular wave containing the ferrite sample. The ferrite sample could be compressed along the cylinder axis by a lever device. The magnitudes of external constant magnetic field required for resonance at different pressures were measured. The relationship between these quantities was obtained linear within

Card 1/2

30517

S/194/61/000/008/076/092
D201/D304

The effect of anisotropic...

the error limits. An increase in the width of the ferromagnetic resonance line was observed with increasing pressure, an effect consistent with the general representation of the nature of the resonance line in polycrystalline materials. A method is suggested, based on the experimental results, of measuring the magnetostrictive constant λ of ferrites using standard SHF equipment. It is assumed that such a method would make it possible to measure easily the magnitudes of λ of the order of 10^{-7} . 10 references. [Abstracter's note: Complete translation]

X

Card 2/2

83355

S/139/60/000/004/012/033
E032/E514

9.257/ 1144

AUTHORS: Kotyukov, Yu.N. and Burnysheva, A.N.

TITLE: The Effect of Anisotropic Elastic Stresses on the Ferromagnetic Resonance in Polycrystalline Ferrites ²¹

PERIODICAL: Izvestiya vysshikh uchebnykh zavedeniy, Fizika,
1960, No.4, pp.126-130

TEXT: Macdonald (Refs.1-3) and Griffiths (Ref.4) have studied the effect of elastic stresses on ferromagnetic resonance. These workers used thin ferromagnetic films and the theoretical dependence of the resonance frequency on the stresses in order to determine the g factor from experimental data obtained for films of different thickness. The disadvantage of this method is that in the case of thin films, the stresses depend on a number of different parameters and cannot be determined with sufficient accuracy. In particular, the magnetostriction constant calculated from the experimental data obtained by Griffiths (Ref.4) for nickel differs from the accepted value by a factor of 2. It follows that it is desirable to carry out experiments in which the stresses can be reliably measured. Such experiments have been carried out by the present authors and are now reported. Cylindrical specimens of polycrystalline nickel
Card 1/3

83355

S/139/60/000/004/012/033
EO32/E514

The Effect of Anisotropic Elastic Stresses on the Ferromagnetic Resonance in Polycrystalline Ferrites

ferrite were employed. The saturation magnetization for this material is $4\pi M = 3000$ gauss. The measurements were carried out at a frequency of 9000 Mc/s. A block diagram of the apparatus employed is shown in Fig.1. The high-frequency signal generated by a klystron was passed through a short rectangular waveguide containing the ferrite specimen and then fed into the detector block. The output of the latter was recorded by an automatic pen recorder of type PS-01. The current through the magnet is automatically varied and is recorded by another pen recorder. The specimen was 3 mm in diameter and 7.5 mm long and was placed at the centre of the rectangular waveguide (TE_{10} wave). Fig.2 gives a sectional drawing through the waveguide, showing the ferrite rod 1 and ceramic plate 2. These plates serve to prevent plastic deformations in the waveguide walls. The cylindrical specimen was subjected to different stresses along its axis (the point of application of the external force F is shown in Fig.2), the external magnetic field being in the same direction. The results obtained are summarized in Figs.3 and 4. Two specimens were used. Specimen 1 was cooled from 900°C to room temperature at

Card 2/3

83355

S/139/60/000/004/012/033

E032/E514

The Effect of Anisotropic Elastic Stresses on the Ferromagnetic Resonance in Polycrystalline Ferrites

the rate of 1°C/min and specimen 2 was heated to 900°C, kept at that temperature for 4 hours and then removed from the furnace and cooled in air at room temperature for 5 min. Fig.3 shows the dependence of the resonance field δH (Oe) on the magnitude of the applied stress σ (kg/mm²). Fig.4 shows the dependence of the saturation magnetostriction constant λ_s on the elastic stresses. The δH versus σ curves were found to be linear up to about $\sigma = 5$ kg/mm². Above this value departures from linearity were observed, the slope of the curve decreasing with σ . The value of λ_s for specimen 1 at zero stress was found to be 26×10^{-6} , which is in agreement with the value reported by Gorter (Ref.5). It was found that the width of the ferromagnetic-resonance curve ΔH increases with the applied stress. However, a quantitative estimate could not be made. There are 4 figures and 5 English references.

ASSOCIATION: Sibirskiy fiziko-tekhnicheskii institut pri Tomskom gosuniversitete imeni V.V. Kuybysheva (Siberian Physico-Technical Institute at Tomsk State University imeni V. V. Kuybyshev)

Card 3/3

SUBMITTED: August 10, 1959

83363

9.2571

S/139/60/000/004/021/033
E032/E514AUTHORS: Kotyukov, Yu. N. and Smokotin, E.M.TITLE: Measurement of the Width of the Ferromagnetic
Resonance Absorption Line in Polycrystalline Ferrites ~~18~~PERIODICAL: Izvestiya vysshikh uchebnykh zavedeniy, Fizika,
1960, No.4, pp. 173-177

TEXT: This is a continuation of the work reported on p.126 of the present journal (this issue). The apparatus employed was essentially identical with that described by Whit et al. (Ref.3). Measurements were carried out on 4000, 2880 and 2150 Mc/s. Spherical specimens prepared by the Bond method (Ref.5) from polycrystalline magnesium-chromium ferrite were used. Fig.2 shows the dependence of the line width ΔH on the specimen diameter obtained on 2880 Mc/s. The behaviour of ΔH as a function of diameter is in agreement with the results reported by Jager et al. (Ref.1). The magnitude of ΔH for spheres having large diameters, e.g. 2.62 mm, is greater by about 35 to 40% than for small diameter, e.g. 1.6 to 1.7 mm. This is largely due to field nonuniformity, which becomes more noticeable for larger specimen

Card 1/3

83363

S/139/60/000/004/021/033
E032/E514

Measurement of the Width of the Ferromagnetic Resonance Absorption Line in Polycrystalline Ferrites

diameters. It follows that ΔH must be determined for different specimen diameters and the results obtained should be extrapolated to zero diameter. In order to elucidate the dependence of ΔH on the form of the specimen, ΔH was measured for discs prepared from magnesium-chromium ferrites having a saturation magnetization of $4\pi M = 600$ gauss. The specimens were placed at the centre of the resonator with the disc parallel and perpendicular to the constant magnetic field. The results obtained are given in Table 1. Measurements carried out on discs show that small deviations from the spherical form of specimens do not lead to appreciable errors in ΔH , provided corrections are made in the usual way for demagnetizing effects, etc. Comparison of experimental data obtained for ferrite discs with the theoretical dependence of ΔH on the form of the specimen shows that better agreement is obtained if the relaxation term given by Skrotzkiy and Shmatov in Ref.7 is included. There are 2 figures, 1 table and 7 references: 2 Soviet and 5 English.

Card 2/3

L 8560-66 EWT(1) IJP(c) GG/WW

ACCESSION NR: AF5021172

UR/0139/65/000/004/0082/0087-

AUTHOR: ^{44, 55} Kotyukov, Yu. N.

9M

52
49
3

TITLE: Experimental setup for the measurement of the constants of saturation magnetostriction of polycrystalline ferrites based on ferromagnetic resonance

SOURCE: IVUZ. Fizika, no. 4, 1965, 82-87

21, 44, 55

TOPIC TAGS: ^{21, 44, 55} ferrite, ^{21, 44, 55} polycrystal, magnetostriction, measurement apparatus, ferromagnetic resonance

ABSTRACT: The apparatus described is based on earlier results by the author (Izv. vuzov SSSR, Fizika, No. 4, 175, 1960; Izmereniye konstanty magnitostriksii na-syashcheniya polikristallicheskih ferritov. Trudy IV Vsesoyuznogo soveshchaniya po ferritam, Minsk, 1963 (v pechati) [Measurement of the Constants of Saturation Magnetostriction of Polycrystalline ferrites. Papers of Fourth All-Union Conference on Ferrites, Minsk, 1963 (in press)]), in which it was proposed to use the dependence of the resonant-field intensity on the external elastic stresses applied to the investigated ferrite sample to measure the magnetostriction constant. The present article describes automatic apparatus in which the variation of the resonant field can be recorded continuously on a potentiometer chart, for a continuously varied compression force applied to the ferrite. A block diagram of the experi-

Card 1/3

2

L 8560-66

ACCESSION NR: AP5021172

mental setup is shown in Fig. 1 of the Enclosure. The apparatus is based on the same operating principle as a radiospectroscopy. The various features of the equipment and of the electronic circuitry are described. The results obtained with the apparatus agree well with those obtained with an interferometer. Orig. art. has: 5 figures and 3 formulas. 4

ASSOCIATION: Sibirskiy fiziko-tekhnicheskiy institut imeni V. D. Kuznetsova
(Siberian Physicotechnical Institute) 44, 55

SUBMITTED: 29Dec63

ENCL: 01

SUB CODE: EN, SS

NR REF SOV: 004

OTHER: 002

Card 2/3

L 8560-66

ACCESSION NR: AP5021172

ENCLOSURE: 01

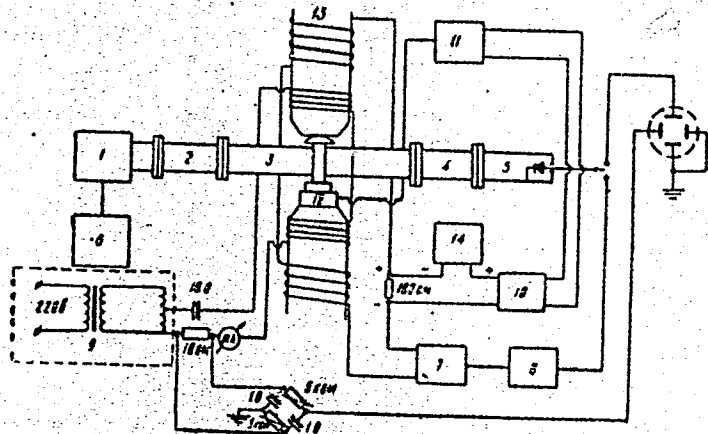


Fig. 1. Block diagram of experimental setup. 1 - klystron generator, 2 - ferrite gate, 3 - waveguide section with ferrite sample, 4 - attenuator, 5 - detector section, 6 - klystron power supply, 7 - electromagnet power supply, 8 - extremum regulator, 9 - modulating-coil power supply, 10 - electronic automatic potentiometer, 11 - force meter, 12 - force-meter pickup, 13 - electromagnet, 14 - source of controlled voltage.

Card 3/3 jw

L 8559-66 EWT(1) IJP(c) GG/WW

ACCESSION NR: AP5021173

UR/0139/65/000/004/0088/0091

AUTHOR: Kotlyukov, Yu. N.

TITLE: The effect of large anisotropic elastic stresses on the ferromagnetic resonance absorption in polycrystalline ferrites

SOURCE: IVUZ. Fizika, no. 4, 1965, 88-91

TOPIC TAGS: ferromagnetic resonance, resonance absorption, ferrite, pressure effect, elastic stress, polycrystal

ABSTRACT: The effect of uniform compression along a magnetizing field on the ferromagnetic resonance in polycrystalline ferrites is considered by introducing an effective magnetic field connected with the stresses. In polycrystalline samples this results in additional broadening of the ferromagnetic resonance line which is calculated for the cases of small and large stresses. Small stresses are considered as small perturbations; for large stresses one can neglect the magnetic dipole interaction and assume that the crystallites go through the resonance independently (the approximation of "independent crystallites"). An experimental investigation of the effect of compression along the magnetizing field on the ferromagnetic resonance in polycrystalline nickel ferrite was carried out. The artificially introduced porosity of the samples should have favored the approximation

Card 1/2

L 8559-66

ACCESSION NR: AP5021173

3
of "independent crystallites." The measurements showed that the compression leads to a considerable broadening which increases with the applied stress; the shape of the curve did not change appreciably and no additional peaks were observed. The maximum stress of 30 kg/mm^2 led to an effective field of about 780 Oe. The anisotropy of the effective magnetic field was clearly insufficient to satisfy the "independent crystallite" approximation well, and the crystallographic anisotropy made observation of the effect difficult. Orig. art. has: 8 formulas.

ASSOCIATION: Sibirskiy fiziko-tekhnicheskiy institut imeni V. D. Kuznetsova
(Siberian Physicotechnical Institute) 44, 55

SUBMITTED: 29Dec63

ENCL: 00

SUB CODE: 88

NR REF SOV: 002

OTHER: 008

jw
Card 2/2

L 6459-66 EWT(1)/EPF(c) IJP(c) WH/GG
ACCESSION NR: AP5019846

UR/0181/65/007/008/2339/2344

AUTHOR: Petrakovskiy, G. A.; Kotvukov, Yu. N.

TITLE: Effect of anisotropic stresses on the frequency spectrum of magnetostatic oscillations

SOURCE: Fizika tverdogo tela, v. 7, no. 8, 1965, 2339-2344

TOPIC TAGS: elastic stress, vibration spectrum, ferrite, magnetic resonance, yttrium compound, magnetostriction

ABSTRACT: The authors calculate the influence of isotropic elastic stresses on the spectrum of the frequencies of magnetostatic oscillations, by deriving equations for the resonance fields of magnetization oscillations in a ferrite spheroid subjected to unilateral uniform compression or tension. In addition, the dependence of the resonance fields of the simplest type on the compression stress was checked experimentally for an yttrium ferrite single crystal. A diagram of the test setup is shown in Fig. 1 of the Enclosure. The investigated sample was placed in a waveguide in the antinode of the magnetic microwave field at a distance approximately equal to the electromagnetic wavelength from the short-circuiting plunger. The power reflected from the waveguide section with the ferrite was measured with a waveguide bridge. The influence of the stresses on the resonance

Card 1/3

07011445

L 6459-66

ACCESSION NR: AP5019846

3

field were measured for three types of modes, (1, -1, 0), (2, -2, 0), and (3, -1, 1) at 9375 Mc at room temperature. The (3, -1, 1) mode was found to be most suitable for the measurements. The saturation magnetization of the ferrite was found to be 1773.0 gauss. In all cases the results of the measurements were in satisfactory agreement with the calculation made and the magnetostatic approximation. It is hoped that the investigated effects will be of use in measurement of the magnetostriction constants of ferrite single crystals. Orig. art. has: 3 figures and 10 formulas.

ASSOCIATION: Sibirskiy fiziko-tekhnicheskiy institut im. V. D. Kuznetsova, Tomsk
(Siberian Physicotechnical Institute)

SUBMITTED: 15Feb65

ENCL: 01

SUB CODE: SS, EM

NR REF SOV: 003

OTHER: 005

Card 2/3

L 6459-66

ACCESSION NR: AP5019846

ENCLOSURE: 01

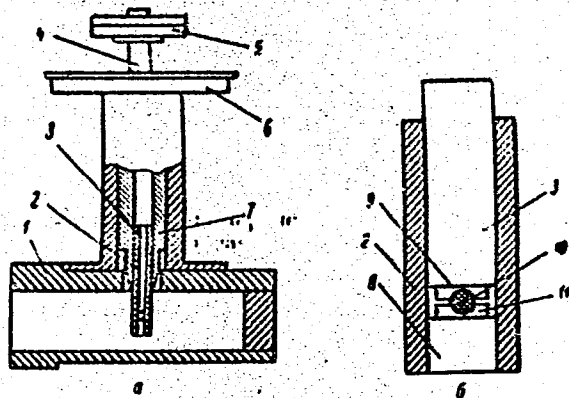


Fig. 1. Diagram of apparatus (a) and magnified sample-clamping device (b).

1 - Waveguide, 2 - ceramic tube, 3 - plunger, 4 - stem,
5 - weights, 6 - dial, 7 - brass tube, 8 - anvil, 9 - upper
glass plate, 10 - ferrite sample, 11 - lower glass plate.

80
Card 3/3

APPROVED FOR RELEASE: 08/23/2000

CIA-RDP86-00513R000825420013-

KOTYUKOV, Yu.N.

Experimental setup for measuring the magnetostriction saturation constant in polycrystalline ferrites on the basis of ferromagnetic resonance. *Izv. vys. ucheb. zav.*; fiz. 8 no.4:82-87 '65.

Effect of intense anisotropic elastic stresses on ferromagnetic resonance absorption in polycrystalline ferrites. *Ibid.*:88-91 (MIRA 18:12)

1. Sibirskiy fiziko-tehnicheskij institut imeni V.D. Kuznetsova. Submitted December 29, 1963.

KOTYUKOVA, Ye. (Tula)

~~XXXXXXXXXXXXXXXXXXXX~~
Work experience of Feldsher A.P. Ogorodnikova at the Petrushino
Medical Station, Aleksin District, Tula Province. E. Kotiukova. Fel'd.
i akush. no.11:51-54 N '55. (MLRA 9:2)

1. Kotyukova, Ye. (Tula)
(ALEKSIN DISTRICT-MEDICINE, RURAL)

KOTYUKOVA, Ye.F., vrach-nevropatolog (Tula)

Flowers and health. Zdorov'e 3 no.5:25 My '57.
(HYGIENE) (GARDENING)

(MLRA 10:6)

E 16012-87 ENT(1) JK

ACC NR: AF0029006

(N)

SOURCE CODE: UR/0399/66/000/006/0064/0069

21
AUTHOR: Musabayev, I. K. (Doctor of medical sciences, Professor); Novskiy, M. V. (Candidate of medical sciences); Ambartsumov, S. M. (Candidate of medical sciences); Mikhaylovskaya, O. G.; Kotyuminskaya, N. A.; David'yan, A. O.

ORG: Uzbek Scientific Research Institute for Epidemiology, Microbiology and Infectious Diseases/Director, Candidate of Medical Sciences K. Yu. Yusupov/, Tashkent (Uzbekskiy nauchno-issledovatel'skiy institut epidemiologii, mikrobiologii i infektsionnykh zabolevaniy)

TITLE: Clinical and epidemiological parallels in patients suffering from typhoid or paratyphoid treated with lovomycotin in combination with vaccine

SOURCE: Sovetskaya meditsina, no. 6, 1966, 64-69

TOPIC TAGS: bacterial disease, man, antibiotic, vaccine, clinical medicine

ABSTRACT: Effects are compared from observations on 743 patients with typhoid and paratyphoid; 355 were treated with lovomycotin and typho-paratyphus B divaccine (first group) and 388 only with lovomycotin (second group). The patients were selected at random; 15 cases were mild, 628 moderate and 100 serious. Over half of each group had been vaccinated against these infections in the last 2 years. In addition to the usual symptomatic therapy, lovomycetin was given until normal temperatures lasted for

Card 1/2

UDC: 616.927+616.927.77-085.371-059:615.779.931

L 10042-57

ACC NR: AP6029006

10 days; the first group also received 9 subcutaneous vaccinal injections in increasing doses. Tolerance was satisfactory. Studies of factors of non-specific immunity (properdin level and complement titer) showed a statistically valid higher and more sustained properdin level in the first group and less decline of complement titer at the climax of the disease. Compared to the second group, the first group had a return to normal temperatures $1\frac{1}{2}$ times faster, subfebrile temperatures and complications were half as frequent, and relapses were 1/6 (1/9.5 for typhoid). For a study of the carrier state, epidemiologic observations were conducted once a month for no less than 1 year; in the first group, 2.1% were found chronic carriers of abdominal typhus, in the second 4.7%. It was concluded that combined treatment with antibiotics and subcutaneous vaccine is highly effective and gives nonspecific protection in typhoid fever and paratyphoid. The properdin levels reflect the stage of the diseases, their severity, and the effectiveness of treatment. There were fewer relapses and fewer carriers. The treatment is recommended for typhoid fever. For paratyphoid A and B, better means and methods are required, in particular possible application of the corresponding monovaccines. Orig. art. has: none.

SUB CODE: 06, ~~107~~ / SUBM DATE: none / ORIG REF: 012

APPROVED FOR RELEASE: 08/23/2000

CIA-RDP86-00513R000825420013-6

ACC NR: AP6029006

SOURCE CODE: UR/C416/66/000/006/0013/0016

AUTHOR: Varianzov, N. (Candidate of technical sciences, Engineer, Lieutenant colonel);
Kotlyarskiy, P. (Candidate of military sciences, Docent, Colonel)

ORG: None

TITLE: Automated transport control system

SOURCE: Tyi i snabzheniye sovetskikh vooruzhennykh sil, no. 6, 1966, 73-76

TOPIC TAGS: transportation system, armed force logistics

ABSTRACT: The modern methods of planning, organizing and controlling military transportation operations are described. The planning and implementation of various processes including the use of facilities and the movement of materiel are based on a careful examination of given data and prevalent conditions. The analysis of processes and the modeling of operations are carried out by using computing devices for solving mathematical problems involved in a given transportation system. An example of a system modeling is shown schematically in a diagram. The system includes five processes of which the first represents the enemy actions against the transportation network, facilities and vehicles. The second process covers the determination of the reliability of the transportation system in a given area, while the third deals with the analysis and selection of routes, networks, facilities, materials and other system components. The determination of route distances, vehicle speeds, time schedules, loading and unloading operations belongs to

ACC NR: AP6028184

the fourth series of mathematical calculations. The method of mathematical statistics is also applied to the fifth process of calculation including checking and correlating standard norms, time factors and other transportation parameters. It is stressed that the same system of units and conversion factors must be used for calculation and evaluation of transportation processes. The same criteria must also be used for selection of basic optimal data such as time limits, transport types, expenditures, etc. In general, various keyboard, punched-card and electronic computers are used for calculation. An intercommunication system is established for collecting and transmitting data as well as for an overall control of transportation operations. Orig. art. has: 1 diagram.

SUB CODE: 15/ SUMMARY DATE: None

O A KOTYURGINA and V N BATYGIN

"Investigation of the Compositions of Ceramics with the Purpose of
Obtaining Vacuum-tight Ceramics with Low Losses in the Centimeter Band" from
Annotations of Works Completed in 1955 at the State Union Sci. Res. Inst. M.n.
of Radio Engineering Ind.

So: B-3,030,964

KOTYURIN, V.M.

On the rate of deuterium penetration into plant tissue. [with English summary in insert] *Biochimia*, 21 no.1:50-52 Ja-F '56. (MLBA 9:7)

1. Institut geokhimii i analiticheskoy khimii Akademii nauk SSSR, Moskva.

(DEUTERIUM)

(PLANTS--ASSIMILATION)

KOTYUZHINSKIY, G.

YUSHKIN, N.; NOVIKOV, M.; VYSTAVKIN, A.; KOTYUZHINSKIY, G.

Shortened workday and new wage terms in ferrous metallurgy. Sots.
trud no.12:103-118 D '57. (MIRA 11:1)

1. Nachal'nik otdela organizatsii truda stalingradskogo metallurgicheskogo zavoda "Krasnyy Oktyabr'" (for Yushkin). 2. Nachal'nik otdela organizatsii truda Nizhne-Tagil'skogo metallurgicheskogo kombinata (for Novikov). 3. Nachal'nik otdela truda i zarobotnoy platy moskovskogo zavoda "Serp i molot" (for Vystavkin). 4. Zamestitel' nachal'nika otdela truda i zarobotnoy platy Upravleniya chernoy metallurgii Chelyabinskogo sovnarkhoza (for Kotyuzhinskiy).
(Steel industry)

MALIN, G.; MEYERSON, Z.; RATNER, A.; BOZHKO, M., inzh.-ekonomist;
KOTYUZHINSKIY, G.

Creating conditions for growth in hourly output. Sots. trud no.8:
97-109 Ag '58. (MIRA 11:9)

1. Direktor zavoda imeni Komsomol'skoy pravdy" (for Malin). 2. Nachal'nik otdela truda i zarabotnoy platy zavoda im. Komsomol'skoy pravdy" (for Meyerson). 3. Nachal'nik otdela truda i zarabotnoy platy Okhtenskogo khimicheskogo kombinata (for Ratner). 4. Zamestitel' nachal'nika otdela truda i zarabotnoy platy Upravleniya metallurgicheskoy promyshlennosti Chelyabinskogo sovnarkhoza (for Kotyuzhinskiy).

(Labor productivity)

KOTYUZHINSKIY, G.

Instructive practice of Magnitogorsk steelworkers. Sots. trud.7 no.11:
59-61 N '62. (MIRA 15:12)

1. Zamestitel' nachal'nika otdela truda i zarabotnoy platy Upravleniya metallurgicheskoy promyshlennosti Chelyabinskogo soveta narodnogo khozyystva.

(Magnitogorsk—Steel industry—Labor productivity)

ACCESSION NR: AT4041985

S/2582/64/000/011/0123/0129

AUTHOR: Kotyuzhanskiy, G.A., Sholom, M.M., Epshteyn, V.L.

TITLE: An algorithm for selecting symbols of high probability in a system having limited storage capacity

SOURCE: Problemy* kibernetiki, no. 11, 1964, 123-129

TOPIC TAGS: computer programming, medical diagnosis, machine translation, symbol selection, storage capacity, memory sparing

ABSTRACT: An algorithm is derived which could be useful in solving a wide range of problems such as: 1. automatic translation using an author's dictionary, each word being subjected to the selection algorithm which selects the most frequently used words and reinforces them in the operational memory; and 2. medical diagnosis, in which all possible combinations of symptoms and diseases are sorted to eliminate unlikely combinations, the most probable diagnosis being obtained from the relative probabilities of the various disease-complexes with respect to the symptom-complexes, also depending on the season, occurrence of an epidemic, whether the patient was already undergoing treatment, etc. Generalization requires a source generating symbols in a certain alphabet, not more than 'm' symbols being stored for technical reasons, and an algorithm allowing storage of the

Card 1/2

ACCESSION NR: AT4041985

'm' most probable symbols (the nucleus) from a number $k \gg m$. The symbols fed to the computer are more numerous than the number of addresses which can be stored. It is therefore required to replace the less frequent by the more frequent symbols if the former enter ahead of the latter. This calls for the notion of a threshold number, determining the resolving power of the algorithm, criteria for raising and lowering the threshold and logical criteria for relative probability. The paper discusses these requirements, and the algorithm is reduced to a working scheme, after which a program is written consisting of three separate, but interdependent parts, the first modulating the information source, the second calculating absolute and relative frequencies for symbols entering from the source and the third carrying out the selection algorithm. An example is given of analysis of the statistical structure of a literary text. The method was suggested by A. A. Lyapunov, and acknowledgement is given to M. M. Bongard for his valuable comments. Orig. art. has: 3 figures and 6 equations.

ASSOCIATION: none

SUBMITTED: 19Feb62

ENCL: 00

SUB CODE: DP

NO REF SOV: 002

OTHER: 001

Card 2/2

KOTYUZHINSKIY, Georgiy Valerianovich

[Planning and accounting for labor in ferrous metallurgy enterprises] Planirovanie i uchet truda na predpriatiakh chernoi metallurgii. Moskva, Metallurgiya, 1965. 188 p.
(MIRA 18:6)

KOTYZA, F.

Relation of paranasal sinusitis to generalized diseases. Cas. lek. cesk.
97 no.8:260-264 21 Feb 58.

1. Klinika nezoci usnich, nosnicha krcnich lekarske fakulty v Plzni,
prednosta prof. F. Kotyza.
(SINUSITIS, compl.
(Cz))

KOTYKA, F.

"Problems and results of investigations in atherosclerosis." p. 399. (SCIENTIFIC LIBRARY BUDAPEST,
Vol. 92, no. 15, Apr. 1955, Praha.)

SC: Monthly List of East European Accessions, Vol. 2, #10 Library of Congress
October 1952, Uncl.

KOPYZA, F., Prof. Dr

~~Reflexion of our work~~

Reflexion of our work. Cesk. otolar. 3 no.2:53-60 Ky '54.

1. Prednosta Cs. otolar. spolecnosti.
(OTORHINOLARYNGOLOGY,
*in Czech.)

KOTYZA, F., prof. Dr.

Importance of the Pavlovian teaching for otorhinolaryngology. Prakt.
lek., Praha 34 no.18:428-431 20 Sept 54.

1. Z kliniky nemoci usnich, nosnich a krcnich v Plzni, Prednosta:

Prof. Dr. F.Koryza

(OTORHINOLARYNGOLOGY

Pavlovian theory in)

KOTYZA, F.; SOUSTEK, Z.

Problem of chromaffin paraganglioma (chemodectoma) of the temporal bone. Cesk. otolar. 5 no.4:224-231 Aug 56.

1. Z kliniky nemoci usnich, nosnich a krcnich (predn. prof. Dr. F. Kotyza) a z pathologickeho-anatomickeho ustavu (predn. prof. dr. J. Vanek) lekarske fakulty KU, pob. v Plzni.

(PARAGANGLIOMA,
temporal bone (Cz))
(TEMPORAL BONE, neoplasms,
paraganglioma (Cz))

KOTYZA, F.

60th anniversary of Prof. Jan Hybasek, MD. Cesk. otolar. 7 no.6:321-326
Dec.58.

1. Otolaryngol. klinika, Plzen.

(BIOGRAPHIES,

Hybasek, Jan, biobibliog. (Cz))

KOTYZA, F.

Ensuring a permanent communication between the frontal & nasal sinuses.
Cesk. otolar. 8 no.3:151-154 June 59.

1. Klinika nemoci usnich, nosnich a krcnich lekarske fakulty v Plzni,
prednosta prof. dr. F. Kotyza. F.K., ORL klinika lek. fak., Plzen.

(FRONTAL SINUS, surg.

permanent communication between frontal & paranasal sinuses,
technics (Cz))

(PARANASAL SINUSES, surg.

same)

KOTYZA, F.

Chronic foreign bodies of the paranasal sinuses. Cesk. otolar. 8
no. 5: 269-277 0 '59.

1. Klinika nemoci usnich, nosnich a krenich lekarske fakulty v
Plzni, prednosta prof. dr. F. Kotyza.
(PARANASAL SINUSES for bodies)

KOTYZA, F.

Occupational ear diseases. Cesk. otolar. 9 no.4:244-254 Ag '60.

1. Klinika nemoci usnich, nosnich a kronich lekarske fakulty
University Karlovy v Plzni.

(EAR dis.)

(OCCUPATIONAL DISEASES)

KOTYZA, F.; MENSIKOVA, Z.

Acute otitis media accompanied by severe intracranial vascular complications. Cesk.otolar.9 no.5:303-309 0'60.

1. Klinika nemoci usnich, nosnich a kronich, prednosta prof.dr. F. Kotyza. Neurologicka klinika fakulty vseobecneho lekarstvi v Plzni, prednosta prof.dr. V. Pitha.

(OTITIS MEDIA compl)

(CEREBRAL EMBOLISM AND THROMBOSIS etiol)

KOTYZA, F.

Life of Academician A. Precscter. Cesk. otolar. 10 no.2:123-126
Ap '61.

(BIOGRAPHIES)

KOTYZA, Frantisek

On the problem of covering fistula of the labyrinth. Cesk. otolar.
10 no.4:213-218 Ag '61.

1. Klinika nemoci usnich, nosnich a krcnich lekarske fakulty Karlovy
university se sidlem v Plzni, prednosta prof. dr. Frantisek Kotyza.

(LABYRINTH diseases) (FISTULA surgery)
(SKIN TRANSPLANTATION)

KOTYZA, Frantisek; SCHMIDOVA, Anna

Surgical intervention in the nose and paranasal sinuses in allergic states. Cesk. otolar. 10 no.6:336-340 D '61.

1. Klinika nemoci usnich, nosnich a krcnich lekarske fakulty University Karlovy v Plzni, prednosta prof. dr. Frantisek Kotyza.

(ALLERGY surgery) (NASAL POLYPS surgery)
(SINUSITIS surgery) (RHINITIS surgery)

KOTYZA, F. (Pilzno)

Experimental auditory fatigue before and after tympanoplasty. Otolaryng.
Pol. 16 no.1a:249 '62.

(HEARING) (OTITIS MEDIA surg)

KOTYZA, Frantisek; SAMAN, Karel

Contribution to the problem of nonspecific inflammation (so-called inflammatory pseudotumor of of the orbit). Cesk. otolaryng. ll no.2:104-108 Ap '62.

1. Klinika nemoci usnich, nosnich a krcnich lekarske fakulty University Karlovy v Pizni, prednosta prof. dr. Fr. Kotyza Klinika nemoci ocnich lekarske fakulty University Karlovy v Pizni, prednosta prof. dr. R. Knobloch.

(ORBIT diseases)

KOTYZA, F.

Improved hearing in patients with chronic otitis media. Acta univ. carol. [Med] Suppl. 15:177-185 '61.

1. Klinika nemoci usnich, nosnich a krcnich lekarske fakulty University Karlovy se sidlom v Plzni, prednosta prof. dr. F. Kotyza.
(OTITIS MEDIA ther)

KOTYZA, Frantisek

CZECHOSLOVAKIA

Prof. MUDr.
Director of:
Clinic of Ear, Nose, and Throat Diseases of the Medical
Faculty of KU (Karlova Universita - Charles University),
Plzen;

Prague, Practicky Lekar, No. 19, 1962, pp 827-831

"Acute and Chronic (Non-Specific) Inflammations of
Nose, Paranasal Cavities, and Nose-Throat Cavity from
the Viewpoint of Labor-Medicinal Diagnostics"

KOTYZA, Frantisek

Importance of block neck resection in the surgical treatment of carcinoma of the larynx. Acta Univ. Carol. [med.] (Praha) 9 no.6:507-522 '63

1. Klinika nemoci usnich, nosnich a krcnich lekarske fakulty University Karlovy v Plzni; prednosta: prof. dr. Fr. Kotyza.

KOTYZA, F.; SPRINGER, V.

On the function of the fenestra rotunda. Cesk. otolaryng. 12
no.3:149-160 Je '63.

1. Klinika nemoci usnich, nosnich a krcnich lek. fak. KU v
Plzni, prednosta prof. dr. F. Kotyza. Ustav patologicke fyzi-
logie lek. fak. KU v Plzni, prednosta doc. dr. J. Myslivecek,
DrSc.

(EAR, MIDDLE)

KOTYZA, F.

Clinical use of the fenestra rotunda function test for improvement of hearing in tympanoplastic operations. Cesk. otolaryng. 13 no.1:1-12 F'64.

1. Klinika nemoci usnich, nosnich a krcnich lekarske fakulty KU z Plzni; prednosta: prof. dr. F.Kotyz.

*

KOTYZA, F.

Pain in chronic middle ear inflammations. Cesk. otolaryng. 13
no.2:87-92 Ap '64.

I. Klinika nemoci usnich, nosnich a kronich lekarske fakulty
KU [Karlova Universita] v Plzni (prednosta prof. dr. Fr. Kotyza).

KOTYZA, F.

Our experiences with obliterating operations of the mastoid process. *Cesk. otolaryng.* 13 no.5:291-295 0 '64.

1. Klinika nemoci usnich, nosnich a krenich lekarske fakulty Karlovy university v Plzni, (prednosta prof. dr. F. Kotyza).

KOTYZA, Frantisek

Conservative treatment of chronic otitis media and the postoperative condition. Plzen. lek. sborn. 23:51-61 '64

1. Klinika nemoci usnich, nosnich a krcnich lekarske fakulty University Karlovy se sidlem v Plzni (prednosta: prof. dr. F. Kotyza). Submitted June 19, 1963.

KOTYZA, F.

Contribution to so-called tri-fenestral hearing. Cesk. otolaryng.
14 no.4:230-233 Ag '65.

1. Klinika nemoci usnich, nosnich a krcnich lekarske fakulty
Karlov University v Plzni (prednosta prof. dr. F. Kotyza).

KOTYZA, K.

Facial neurinoma in the temporal bone. Cesk. otolar. 7 no.5:292-301 Oct 58.

1. Klinika nemoci usnich, nosnich a krcnich lekarske fakulty v Plzni, prednosta prof. Dr. Frantisek Kotyza.

(NEURINOMA, in inf. & child,
facial nerve, in temporal bone (Cz))

(NERVES, FACIAL, neoplasms,
neurinoma in temporal bone in child (Cz))

(TEMPORAL BONE, neoplasms,
neurinoma of facial nerve in child (Cz))

CZEZOWSKA, Zofia; GARBINSKI, Tadeusz; KOTZ, Jerzy

Experimental tuberculosis in passively sensitized guinea pigs.
Arch.immun.ter.dosw. 7 no.4:699-723 '59.
(TUBERCULOSIS immunol.)

~~KOTZ, Jerzy~~

On the problem of tonsil tumors in dogs. Pat polska 11 no.1:43-52 '60.

1..Z Katedry Anatomii Patologicznej Wyzd. Wetl WSR we Wroclawiu,
Kierownik: Prof. dr Aleksander Zakrzewski.
(TONSILS neopl.)
(DOG dis.)

BELOWSKI, Henryk; KOTZ, Jerzy; SZYDLOWSKI, Zygmunt

Sensitivity of the intestinal mucosa to hydrochloric acid in dogs. Polski przeł. chir. 32 no.11:1059-1066 '60.

1. Z I Kliniki Chirurgicznej A.M. we Wrocławiu Kierownik: prof. dr K. Gyzewski z Katedry Anatomii Patologicznej W.S.R. we Wrocławiu Kierownik: prof. dr A. Zakrzewski.

(INTESTINE physiol) (HYDROCHLORIC ACID)

KOTZ, J.; MICHALSKA, Z. (Wroclaw)

Blastomycosis of muscles in horses. Rocznik naukirolniczy 70 no.1/4:
298 '60. (EEAI 10:9)

(Horses) (Blastomycosis) (Muscles)

KOTZ, Jerzy

Ovarian tumor in a hare. Pat. polska 12 no.21217-224 '61.

1. Z Katedry Anatomii Patologicznej Wydz. Wet. WSR we Wrocławiu
Kierownik: prof. A. Zakrzewski.

(OVARIES neopl)

POLAND

MBIEN, Zenon and KOTZ, Jerzy, Chair of Pharmacology (Katedra Farmakologii) (Director: Docent, Dr. Tadeusz GARBULINSKI) and Chair of Pathological Anatomy (Katedra Anatomii Patologicznej) (Director: Prof. Dr. Aleksander ZAKRZEWSKI), both of Veterinary Faculty (Wydział Weterynaryjny), WSR [Wyższa Szkoła Rolnicza, Higher School of Agriculture] in Wrocław

"Experimental Poisoning of Dogs with Alphanaphthylthiourea."

Warsaw-Lublin, Medycyna Weterynaryjna, Vol 19, No 8, Aug 63; pp 428-430

Abstract: [Authors' English summary modified] Authors describe the details of their study on the effects of alphanaphthylthiourea poisoning by administration of alphantine to dogs, and describe the clinical symptoms and post-mortem lesions observed. Contrary to other authors, they found no lowering of the temperature, and consider the PM picture so characteristic as to suffice for diagnosis without any additional examinations. There are 13 references: one each Soviet and Czech, 2 German, 3 Western, and 6 Polish.

1/1

* Dr.

Experimental silicosis. Gruzlica 32 no.8:665-670 Aug 1964.

1. Z Kliniki Gruzlicy i Akademii Medycznej we Wrocławiu (p.c. Kierownik: dr. med. K. Sosnowski) i z Katedry Anatomii Patologicznej Wyższej Szkoły Rolniczej we Wrocławiu (Kierownik: prof. dr. A. Zakrzewski).

DERUBSKA, Barbara; KOTZ, Jerzy

Studies on a model of experimental silicosis after intraperitoneal injection of SiO_2 in guinea pigs. Arch. immun. ther. exp. 12 no.3: 379-387 '64.

1. Clinic of Tuberculosis, School of Medicine, Wroclaw; Chair of Pathological Anatomy, School of Agriculture, Wroclaw.

L 29765-66 RO

ACC NR: AP6020896

(A)

SOURCE CODE: PO/00/1/65/000/008/0458/0460

AUTHOR: Bubien, Zenon --Buben', Z. (Doctor; Wroclaw); Kotz, Jerzy--Kotts, Ye. 30
B

ORG: Department of Pharmacology/headed by Docent, Dr. Tadeusz Garbulinski,
Veterinary College, WSR, Wroclaw (Katedra Farmakologii Wydz. Wet. WSR); Institute
of Toxicology/headed by Docent, Dr. Michal Bohosiewicz / (Zaklad Toksykologii);
Department of Pathologic Anatomy/headed by Professor, Dr. Aleksander Zakrzewski,
Veterinary College, WSR, Wroclaw (Katedra anatomii Patologicznej Wydz. Wet. WSR)

TITLE: Intoxication of domestic animals with corn cockle seeds

SOURCE: Medycyna weterynaryjna, no. 8, 1965, 458-460

TOPIC TAGS: commercial animal, poison effect, toxicology, veterinary medicine

ABSTRACT: During 1951 to 1963, there were recorded 30 cases of poisoning⁶ in domestic animals ascribed to the saponins and saptotoxins contained in corn cockle (Agrostemma githago): 18 in pigs (121 fatalities), 8 in poultry (142 hens, 25 geese, 24 ducks died), 1 in horses (5 fatal cases), 2 in cattle (4), 1 in silver foxes (2). Symptoms, causes and treatment are detailed and discussed. [Based on authors' Eng. abstract] [JPRS]

SUB CODE: 06, 02 / SUBM DATE: none / ORIG REF: 007 / OTH REF: 011
SOV REF: 001

Card 1/1 CC

L 34446-66 T JK

ACC NR: AP6026208

(A)

SOURCE CODE: PO/0071/65/000/009/0520/0524

AUTHOR: Kotz, Jerzy--Kotz, Ya. (Doctor; Wroclaw)

21

ORG: Department of Pathological Anatomy/headed by Professor, Doctor Aleksander Zakrzewski/Veterinary Faculty, College of Agriculture, Wroclaw (Katedra Anatomii Patologicznej Wydzialu Wet. WSR)

B

TITLE: Morphology and pathogenesis of corn-cockle poisoning in fowl. Part 3. Personal observations

6

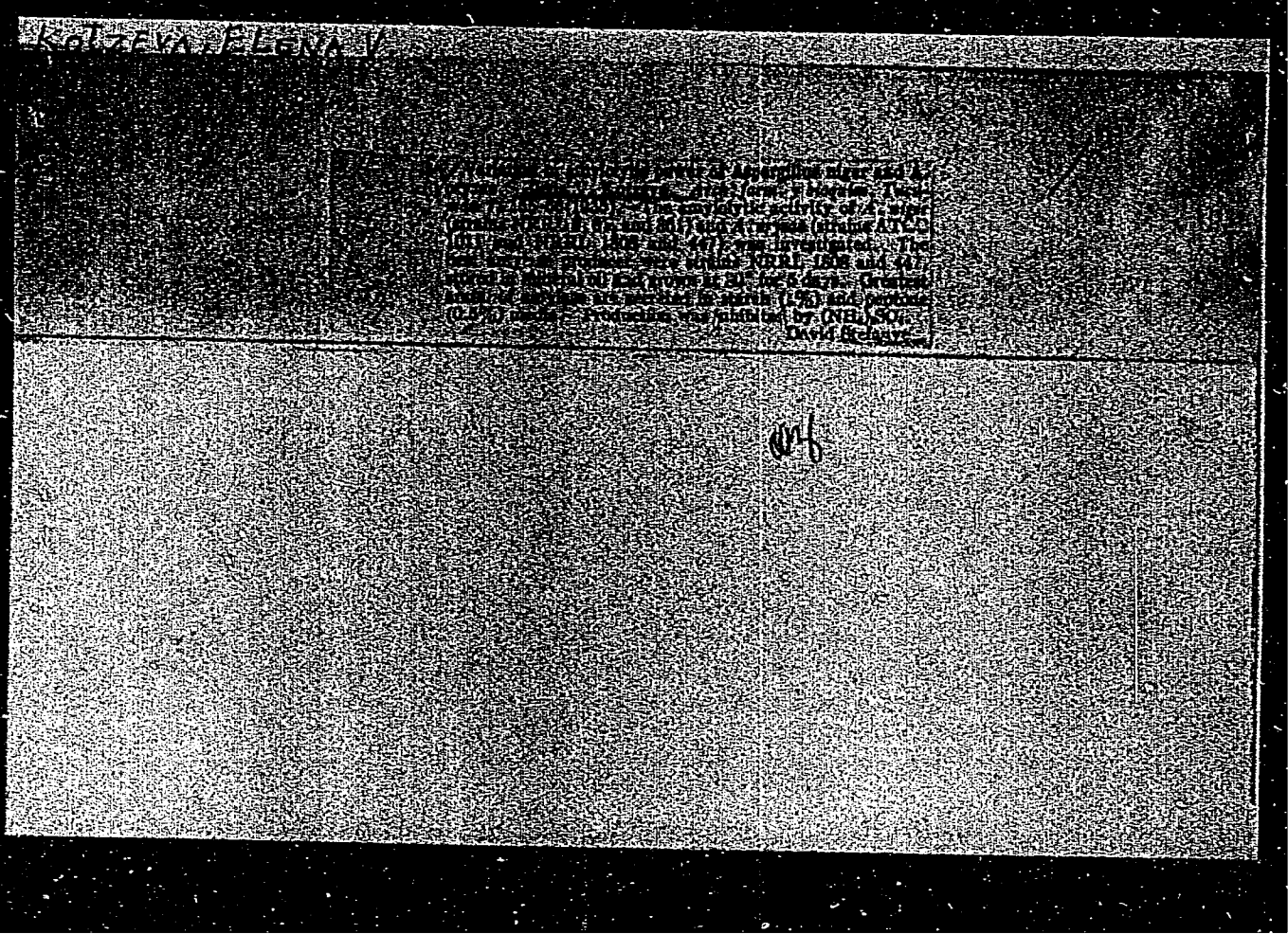
SOURCE: Medycyna weterynaryjna, no. 9, 1965, 520-524

TOPIC TAGS: poison effect, commercial animal. morphology. pathogenesis

ABSTRACT: Very comprehensive description of changes in organs of poultry poisoned with cockle corn (agrostemma). Four photographs of viscera; 16 photomicrographs. Orig. art. has: 16 figures. [JPRS: 33,500]

SUB CODE: 06, 02 / SUBM DATE: none

Card 1/1



KOTZIAN, K.

"The country elects!" p. 13. (MAGYAR RADIO, Vol. 9. no. 19, May 1953. Budapest.)

SG: Monthly List of East European Accessions, Vol. 2, #8, Library of Congress
August, 1953, Uncl.

KOTZIG, ANTON

Kotzig, Anton. Sur les translations A . (French summary)
 (Publ. Inst. Math. Univ. Claude-Bernard, Lyon, 1964). (French summary)
 Let A be a convex set with $1 \leq \dim A$. A translation k
 of a point (x, y, z) in n -dimensional space (a one which
 replaces it by $(x+a_1, y+a_2, z+a_3)$ where a_1, a_2, a_3 are
 nonnegative integers and the number k of A 's which are
 different from zero is finite). Let M denote the set of
 all points (x, y, z) for which x, y, z are nonnegative
 integers. The author proves that there is a unique subset A
 of M such that (1) any point of M can be changed into a
 point of A by a suitable translation k ; (2) no point of A can
 be changed into the free point of A by a translation k . The
 explicit construction of A is that it consists of all points
 (x, y, z) for which $k(x, y, z) \in A$ and $k(x, y, z) \neq (x, y, z)$
 imply $k(x, y, z) \in A$. (Author's abstract)

8/12/64

Source: Mathematical Reviews, Vol. No.

KOTZIG, A.

"Certain Combinatorial Problems." p. 3. (Matematicko-Fyzikalny Sbornik.
Vol. 2, no. 3/4, 1952. Bratislava).

SO: Monthly List of ^{East European} ~~RUSSIAN~~ Accessions, Vol. 3, No. 6, Library of Congress, June 195⁴, Uncl.

KOTZIG, ANTON

✓ Kotzig, Anton. Contribution to the theory of Eulerian polyhedra. Mat.-Fyz. Casopis. Slovensk. Akad. Vied 5 (1955), 101-113. (Slovak. Russian summary)

Math

I - F/W

2001

It is impossible for every face of a Eulerian polyhedron to have more than 5 sides [L. Euler, Opera omnia, ser. 1, opera mathematica, vol. 26, commentationes geometricae, vol. 1, Soc. Sci. Nat. Helv., Lausanne, 1953, p. 88, Prop. 7; MR 15, 470]. Extending this theorem, the author proves that it is impossible for every pair of adjacent faces to have a total of more than 13 sides. If there are no triangular faces, the number 13 can be replaced by 11. That these results are best possible may be seen by considering the truncated dodecahedron, where triangles meet decagons; and the truncated icosahedron, where pentagons meet hexagons. H. S. M. Coxeter (Toronto, Ont.).

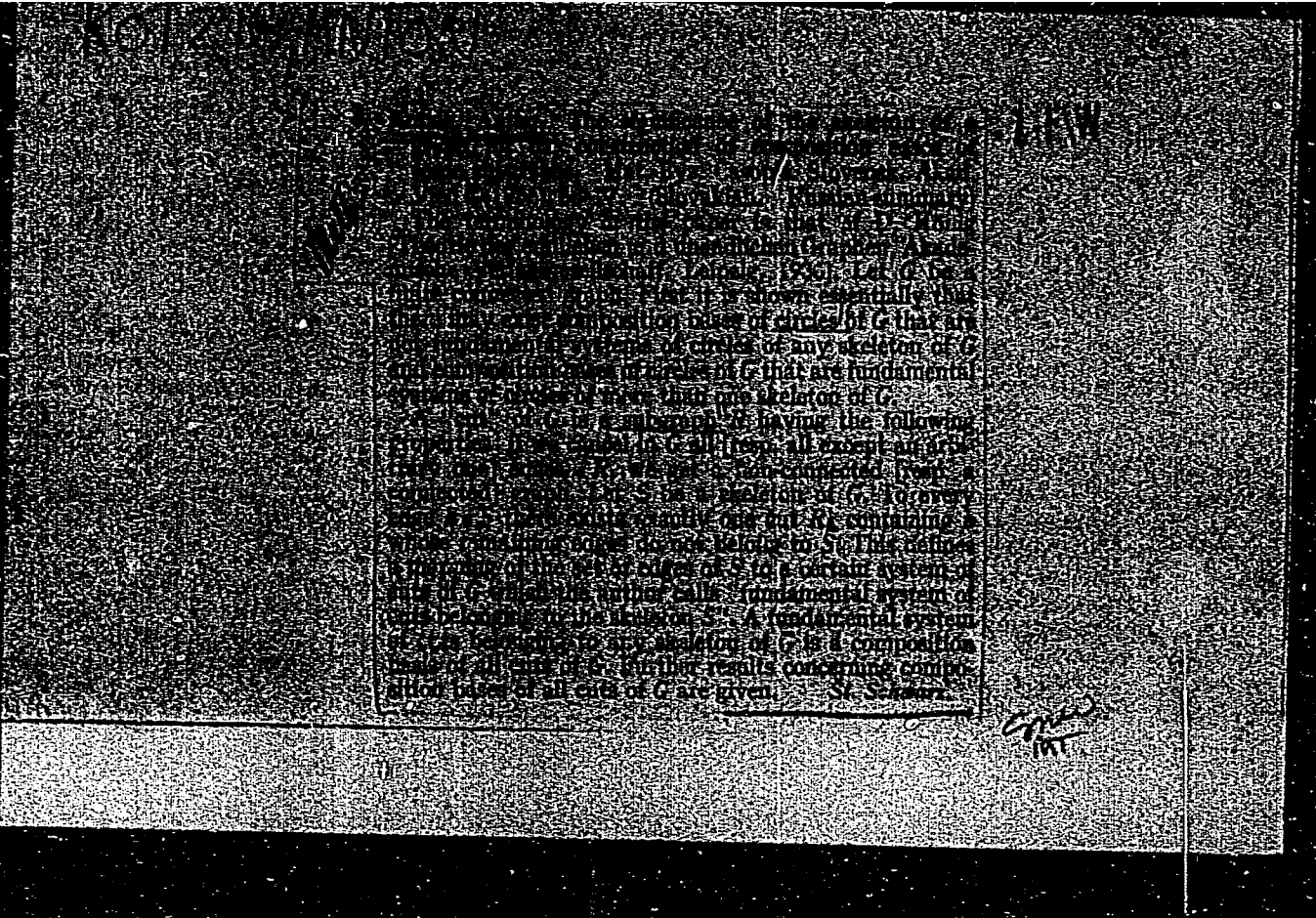
From 2001

KOTLIK, A.

Certain decomposition of graphs, p. 144

Vol. 5, no. 3, 1955
MATEMATICKO-FYZIKALNY CASOPIS
Bratislava, Czechoslovakia

So: Eastern European Accession Vol. 5, no. 4, 1956



Kotzig, Anton. Euler lines and decompositions of a
regular graph of even order into two factors of equal orders.
Mat.-Fyz. Casopis. Slovensk. Akad. Vied 6 (1956), 133-
136. (Slovak. Russian summary)

Let G be a connected Euler graph with an even number of edges. Every Euler line of G generates, in an obvious way, a decomposition of the set of all edges of G into two sets H_1, H_2 such that every vertex is incident with the same number of edges from H_1 and from H_2 . It is proved that every such decomposition is generated by some Euler line. The corresponding theorem on decompositions mentioned in the title of the note is obtained as a corollary.

M. Kalštov (Prague)

SCJ
1/1

Sm

KOTZIG, A.

Remarks on Listing's theorem regarding the factorization of a graph into open branches.
P. 396.
(Casopis Pro Pestovani Matematiky. Vol. 81, no.4, Nov. 1956. Para, Czechoslovakia)

SO: Monthly List of East European Accessions (EEAL) LC, Vol. 6, No.6, June 1957. Uncl.

Kotzig, Anton. Aus der Theorie der endlichen regulären Graphen dritten und vierten Grades. Časopis Pěst. Mat. 82 (1957), 76-92. (Slovak. Russian and German summaries)

Ist G ein (nicht gerichteter) endlicher regulärer Graph dritten Grades, so sei G^* der Graph, dessen Knotenpunkte den Kanten von G eineindeutig entsprechen, wobei zwei solche Knotenpunkte durch eine Kante in G^* dann und nur dann verbunden sind, falls die entsprechende Kanten von G benachbart sind. G^* ist ein regulärer Graph vierten Grades. Die Anzahl seiner Knotenpunkte sei gerade. Dann besitzt er einen Faktor ersten Grades, und falls auch G einen Faktor ersten Grades enthält, besitzt G^* einen Faktor zweiten Grades, der in zwei Faktoren ersten Grades zerfällt. Ist G in drei Faktoren ersten Grades zerlegbar, so ist G^* in vier Faktoren ersten Grades zerlegbar und umgekehrt. Existiert in G eine Hamiltonsche Linie, dann zerfällt G^* in zwei Hamiltonsche Linien und umgekehrt. *M. Fiedler (Praha).*

grind
From the Theory of the Finite Regular Graphs¹⁶
of Third and Fourth Orders

KOTZIG, A.

5488:

Kotzig, Anton. Die Zerlegung eines endlichen regulären Graphen ungeraden Grades in zwei Faktoren. Časopis Pěst. Mat. 83 (1958), 27-32. (Slovak. Russian and German summaries)

Verf. beweist den Satz: Ein regulärer Graph G $(2n+1)$ -ten Grades mit $2m$ Knotenpunkten lässt sich in Faktoren n -ten und $(n+1)$ -ten Grades dann und nur dann zerlegen, falls in G ein System \mathcal{S} von m offenen Zügen mit folgenden Eigenschaften existiert: (1) jede Kante in G gehört genau zu einem Zuge von \mathcal{S} ; (2) jeder Zug von \mathcal{S} besitzt eine ungerade Anzahl von Kanten.

M. Fieller (Prague)

KOTZIG, Anton (Obrancov mieru 41, Bratislava)

On structures of higher order. Cas pro pes mat 86 no.3:288-307 '61.

1. Katedra matematiky Slovenskej akademie vied, Bratislava.

KOTSIG, Anton [Kotzig, Anton]

An investigation method for finite graphs. Cas pro pes mat 87 no.4:
477-488 0 '62.

1. Katedra matematiky, Slovenska akademia vied, Bratislava Obrancov
mieru 41.

KOTZIG, Anton

Hajos' even graphs. Cas pro pest mat 88 no.2:236-241 '63.

1. Katodra matematiky, Slovenska akademia vied, Bratislava,
Obrancov mieru 41.

KOTZIG, Anton

Linear factors in lattice graphs. Mat fyz cas SAV 14 no. 2:
104-133 '64.

1. Chair of Mathematics, Faculty of Natural Sciences, J.A.
Comenius University, Bratislava, Smeralova 2b.

KOTSIG, Anton [Kotzig, Anton]

Hamiltonian circuits in lattice graphs. Cas pro pest mat
90 no.1:1-11 F '65.

1. Cabinet of Mathematics of the Slovak Academy of Sciences,
Bratislava, Obrancov mieru 41. Submitted December 18, 1962.

KOTSIG, Anton [Kotzig, Anton]

On combinatorial properties of finite sequences. Mat fyz
cas SAV 14 no.1:75-82 '64.

1. Department of Mathematics, Slovak Academy of Sciences,
Bratislava, Obrancov mieru 41. Submitted September 27, 1963.

L 38329-66 EWT(d) IJP(c)

ACC NR: AP6027999

SOURCE CODE: CZ/0045/66/000/001/0072/0075

AUTHOR: Kotzig, Anton (Bratislava)

23
B

ORG: Department of Numerical Mathematics and Mathematical Statistics, Faculty of Natural Science, Komonsky University, Bratislava (Katedra numerickej matematiky a matematickej statistiky, Prirodovedska Fakulta, Univerzita Komenskoho)

TITLE: Even regular ⁶graphs of the third degree

SOURCE: Matematicko-fyzikalny casopis, no. 1, 1966, 72-75

TOPIC TAGS: graph theory, isomorphism, construction, mathematic transformation

ABSTRACT: The paper presents a proof that any even regular graph of the third degree can be constructed from a graph each component of which is isomorphic to Kuratowski's graph of the third degree by repetitions of a special kind of transformation ("extension"). [Orig. art. in Eng.] [JPRS: 36,845]

SUB CODE: 12 / SUBM DATE: 06Mar65 / OTH REF: 003

me
Card 1/1

KOTZIG, I.

Vascular changes in chronic progressive polyarthritis and their investigations with the aid of stimulation electrodiagnostics. Bratisl. lek. listy 41 no.10:585-588 '61.

1. Z Cs. statnych kupelov v Trencianskych Tepliciach, riaditel MUDr. L. Spiska.

(ARTHRITIS RHEUMATOID pathol)
(BLOOD VESSELS pathol)

KOTZIG, Ivan

Effect of bath cure on the lumbosacral discogenic syndrome. Cesk. neurol.
25 no.2:129-135 Mr '62.

1. Cs. statne kupele, Trencianske Teplice, riaditel MUDr. L. Spiska.

(INTERVERTEBRAL DISK DISPLACEMENT ther)
(LUMBOSACRAL REGION dis)
(BALNEOLOGY)

KOTZIG, I.

Mesocaine iontophoresis and its effect. Fysiat. vestn. 43 no.1:
16-19 F '65

1. Ceskoslovenske statne kupale Trencianske Toplice (riznital
dr. L. Spiska).