

KOPYITSKIY, P.I.

VALITSKIY, I.V., redaktor; IOANNESYAN, R.A., redaktor; KOPYITSKIY, P.I., redaktor; GAUMIN, I.M., redaktor; TROFIMOV, A.V., tekhnicheskiy redaktor.

[Improving the quality of cutting bits; collection of articles]
Povyshenie kachestva izgotovleniya sharoshechnykh dolot; sbornik statei. Moskva, Gos.nauchno-tekhn.izd-vo neftianoi i gorno-toplivnoi lit-ry, 1954. 93 p. (MLRA 8:4)

1. Moscow. Tsentral'nyy nauchno-issledovatel'skiy institut mekhanizatsii i organizatsii truda v neftyancy promyshlennosti. Byuro tekhniko-ekonomicheskoy informatsii.
(Boring machinery)

Kopysitskiy P.I.

KORNEYEV, Konstantin Yefremovich; PALIY, Polikarp Avtonomovich; KOPYSITSKIY,
P.I., red.; ANDREYEV, A.V., red.; KOVALEVA, A.A., vedushchiy red.;
MUKHINA, E.A., tekhn.red.

[Drill bits; a handbook] Burovye dolota; spravochnik. Moskva,
Gos.nauchno-tekhn.isd-vo nef. i gorno-toplivnoi lit-ry, 1958.
214 p. (MIRA 11:7)

(Boring machinery)

IBRAGIMOV, I.E.; ~~KOPYSITSKIY~~, T.I.; KAPLAN, G.A.; MARBIN, Z.S.

Use of a mathematical model in determining the parameters of a circulation multiplicity regulator for a system of automatic control of catalytic cracking. Izv. AN Azerb. SSR. Ser. fiz.-mat. i tekhn. nauk no.6:101-112 '62. (MIRA 16:6)
(Cracking process) (Automatic control) (Mathematical models)

ABDULLAYEV, A.A.; KOPYSITSKIY, T.I.; LEYTMAN, Yu.S.; MAMED-ZADE, A.G.;
KHALDEY, Z.V.

Temperature-control system for a catalytic-cracking reactor
with a finely divided catalyst. Nefteper. i neftekhim. no.8:19-22
'63. (MIRA 17:8)

1. Nauchno-issledovatel'skiy i proyektnyy institut po kompleksnoy
avtomatizatsii proizvodstvennykh protsessov v neftyanoy i khimi-
cheskoy promyshlennosti, g. Baku.

SAMYLOVICH, B.I.; LEYTMAN, Yu.S.; LYAPINA, L.I.; KOPYSITSKIY, T.I.

Economic efficiency of the introduction of an automatic-temperature control system in the reactor of a catalytic cracking device. Izv. vys. ucheb. zav.; neft' i gaz 6 no.8:83-86 '63.

(MIRA 17:6)

1. Azerbaydzhanskiy inatitut nefti i khimii imeni M. Azizbekova i Nauchno-issledovatel'skiy i proyektnyy inatitut po kompleksnoy avtomatizatsii proizvodstvennykh protsessov v neftyanoy i khimicheskoy promyshlennosti.

MYASNIKOV, Ye.A., inzh.; GEYVANDOV, I.A., inzh.; KOPYSITSKIY, T.I., inzh.

Electronic impulse-type regulator for dosing milk of lime. Elek.
sta. 36 no.8:78-79 Ag '65. (MIRA 18:8)

SOV/123-59-15-59396

Translation from: Referativnyy zhurnal. Mashinostroyeniye, 1959, Nr 15, p 77 (USSR)

AUTHOR: Kopynskiy, B.D.

TITLE: Hot Volume Gaging Instead of Mechanical Machining

PERIODICAL: Byul. tekhn.-ekon. inform.Sovnarkhoz Rostovsk. ekon. adm. r-na, 1958,
Nr 11, pp 14 - 15

ABSTRACT: The article has not been reviewed.

Card 1/1

KOPYSKIY, B.D.

Hot three-dimensional stamping instead of machining. Куз.-
shtam.proizv. 1 no.1:45 Ja '59. (MIRA 12:10)
(Sheet-metal work)

27237

18.8200

S/148/61/000/003/004/015
A161/A133

AUTHORS: Okhrimenko, Ya.M., Kopyskiy, B. D.

TITLE: A method of studying the pressure distribution of plastic material on the contact surface of tool

PERIODICAL: Izvestiya vysshikh uchebnykh zavedeniy. Chernaya metallurgiya, no. 3, 1961, 45 - 53

TEXT: A new simple method to measure the distribution of metal stresses on press tools has been developed and is now being used at the Moscow Steel Institute. It was the subject of Ya. M. Okhrimenko's dissertation for the degree of a Doctor of Technical Sciences in 1959. The principle of the method is the determination of the pressure exerted by metal by means of holes of definite small diameter drilled in upsetting plates, and foil of sufficiently strong but plastic metal (brass, copper) placed on the holes. The pressure exerted by the metal on the plate all over the contact surface is determined by the height of spherical bosses on the foil produced by the metal squeezed into the holes. The height of imprints was calibrated by means of an especially designed hydraulic calibrating device, consisting of a massive thick-walled cylinder with a bore that is closed with a

Card 1/3

27237

A method of studying the pressure distribution...

S/148/61/000/003/004/015
A161/A133

sealed piston on the top, and holds the calibrating disk in the bottom. The foil is clamped between the disk with holes and a sealing washer of polyethylene. The screw plug serves for the tightening of the whole system. A thin duct in the cylinder wall is connected to the device work chamber with pressure fluid (water or oil) to a pipe leading to a pressure gage. A calibration curve is illustrated. A comparison of pressure epures obtained by the new method with data of other conventional pressure measurement methods shows identical regularities. The foil in couple with holes of definite diameter presents a sufficiently accurate and small pressure pickup that makes it possible to measure the pressure in press tool spots that are most difficult of access. The article includes the theory of the method. The method has been developed further for the measurement of pressures inside the metal being deformed, with the aid of "witnesses" in the form of 5 x 5 x 5 mm steel cubes with holes in the faces and a foil over the holes attached with glue. The "witnesses" are suspended on thin wires in the mold that is filled with metal to be investigated, and thus get into the ingot. The ingot is melted after the deformation and the "witnesses" retrieved. Imprints on the foil show the pressure that had been exerted on all six faces of the cubes. It is stressed that the calibration on the foil must be complemented by the calibration on the metal being investigated. There are 5 figures and 5 references: 4 Soviet-bloc and 1 non-Soviet

X

Card 2/3

27237

A method of studying the pressure distribution ...

S/148/61/000/003/004/015
A161/A133

-bloc. The reference to the English-language publication reads as follows: J. Frisch. Contribution to the Knowledge of Pressure Measurements During Metal Deformation. Transaction of the ASME, no. 4, 1955.

ASSOCIATION: Moskovskiy institut stali (Moscow Steel Institute)

SUBMITTED: July 1, 1960

+

Card 3/3

10 8100

S/148/61/²³⁹⁹⁷000/005/006/015
E111/E152

AUTHORS: Okhrimenko, Ya.M., and Kapyskiy, B.D.
TITLE: Contribution to the problem of measuring normal stresses in plastic deformation

PERIODICAL: Izvestiya vysshikh uchebnykh zavedeniy, Chernaya metallurgiya, 1961⁴ No.5, pp. 120-128

TEXT: The authors show theoretically that serious errors can arise when normal stresses developed during plastic deformation are measured by the usual technique, using load cells calibrated under static conditions. To study the physical relationships involved in the measurement of contact pressures by multi-point load cell instruments, they used a single-point version (Fig.3) having all the main features of the multi-point type (Fig.1, where 1 is contact surface, 2 the pins, 3 the load cells, 4 adjusting screws) but provided with a dial-gauge indicator that measured the compression of a helical spring. The spring was calibrated by direct loading, and the apparatus was then used for experiments on the free upsetting of lead, copper, aluminium-alloy and steel cylinders. The results showed that the load-cell readings depend greatly on
Card 1/5

Contribution to the problem of

²³⁵⁹²
S/148/61/000/005/006/015
E111/E152

the material being tested and on the diameter of the pin. The measured normal pressures were considerably lower than the true working stresses, the deviation increasing with increasing pin diameter and decreasing plasticity of the material. The stiffness of the cell should be commensurable with the mechanical characteristics of the material being deformed and allowance should also be made for the stress involved in the filling by this material of the hole in which the pin moves. The filling process takes place in three stages: the elastic meniscus the plastic meniscus and the plastic column stages. As a confirmation of these relations, the authors discuss results obtained (Ref.5: same journal, 1961, No.3) by them with a different (foil-imprint) method of investigating the normal stresses in the upsetting of cylindrical forgings. Their conclusion, from their own and published work, is that at high deformations accompanied by considerable movement of the metal along the contact surface, load cells give high values for pressures. This is most probably due to the shearing of the column of metal which has flowed into the measuring hole. An important but difficult problem is how to measure and register the deformation of an "ideal" load cell, whose
Card 2/5

Contribution to the problem of

23992
S/148/61/000/005/006/015
E111/E152

stiffness is equal to that of the instrument being deformed. The development of such a load cell should be pursued.

There are 9 figures and 5 references: 4 Soviet and 1 English.

The English language reference reads as follows:

Ref.4: A.G. MacDonald, S. Kobayashi, E.G. Thomsen. "Some Problems of Press Forging Lead and Aluminium". Trans. ASME, 1959, No.7.

ASSOCIATION: Moskovskiy institut stali
(Moscow Steel Institute)

SUBMITTED: December 28, 1960

X

Card 3/5

S/182/61/000/009/002/005
D038/D112

AUTHORS: Okhrimenko, Ya.M. and Kopyskiy, B.D.

TITLE: Experimental study on the pressure of ductile metal on the walls of a tool (when compressed in a blind cavity)

PERIODICAL: Kuznechno-shtampovochnoye proizvodstvo, no. 9, 1961, 7-11

TEXT: The authors state that according to many investigators the elastic constants of lead, steel at forging temperature, etc., are subjected to the hydrostatic law, and that as these metals approach the smelting temperature the Poisson ratio approaches 0.5, whereas N.N. Davidenkov and S.P. Shikhobalov (Ref. 1: O bokovom davlenii tverdykh tel na zhestkiye stenki [On the lateral pressure of solids on rigid walls]. Sb. "Eksperimental'-nyye metody opredeleniya napryazheniy i deformatsiy v uprugoy i plasticheskoy zonakh" [The experimental methods of determining stresses and deformations in elastic and plastic zones], ONTI NKTP, 1935) point out that the elastic constants of lead are not subjected to the hydrostatic law, and that the lead modulus of elasticity reaches $7000 \text{ kg/cm}^2 = 0.45$.



Card 1/3

Experimental study...

S/182/61/000/009/002/005
DO38/D112

To disprove the fallacy of the first theory the kafedra kuznechno-shtampovochnogo proizvodstva Moskovskogo instituta (the Department of Forging and Stamping Production of the Moscow Institute) has carried out an investigation into the distribution of the pressure of ductile metal on the bottom and the walls of a tool when the metal is compressed in a blind cylindrical cavity (a container). The distribution of pressure on the walls of a die cavity was determined by extruding the metal through narrow slits placed along the vertical longitudinal cross section of the blind cylindrical cavity of an experimental die. One and two counter-moving punches were used. 60 mm diam, 60 mm high C1 (S1) lead specimens were tested on a container comprising an upper and a lower punch, 2 semi-bushings with a vertical joint and clamps; 3.75, 7.5, 15, 30, and 60 mm high blanks were investigated. The authors conclude that it is possible to distinguish an "active" contact surface which transmits external force, and a "passive" force which absorbs oblique lateral pressure on the wall of the cavity. Only in one particular investigated case of compression in the cavity did the friction forces act unilaterally towards each other, and radially.

Card 2/3

S/182/62/000/012/002/005
D040/D112

AUTHORS: Kopyaskiy, B.D. and Okhrimenko, Ya.M.

TITLE: An investigation of forces acting in burrless forging dies during operation

PERIODICAL: Kuznechno-shtampovochnoye proizvodstvo, no.12, 1962, 12-16

TEXT: The article is a contribution to accurate calculation of die dimensions in designing dies for burr-free forging. It presents the results of a theoretical and experimental investigation, the experimental part of which was carried out at the Novocherkasskiy elektrovostroitel'nyy zavod (Novocherkassk Electric Locomotive Plant), where, although burrless forging dies are being introduced, the reduced life of the dies does not give the expected saving. The experiments were conducted with especially designed dies showing the effect of different factors - the volume of the billet, the location of the die parting line, the geometry of die and cavity, the depth of the die cavity, the thickness of the die bottom, and the load on the punch. Stresses were measured with strain gages, amplified and oscillographed. Formulas were derived and a nomogram is suggested for determining the die dimensions. Technological recommendations are given. The recommendations include a detailed drawing of a recommended die design for forging flanged gears,

Card 1/2

An investigation of forces ...

S/182/62/000/012/002/005
DO40/D112

and concern the location of the die parting, the tapers, and the use of a compensating cavity; the necessity to forge in 1-2 strokes only and to correctly judge the end of the forging process is stressed. The latter can be done with the use of radioactive isotopes signalling the presence of metal in the cavity corners. Dies designed on the basis of the investigation have a satisfactory life time, and the quality of the forgings is good. There are 10 figures.

Card 2/2

ACC NR: AP6029652

blank measuring 70 mm in diameter and 49 mm in length can be processed into a forging of 128 mm diameter. In this connection, a nomogram is presented for calculating the conditions under which blanks measuring up to 10,000 cm³ in volume can be subjected to flashless die forging in any equipment. The greater the underloading of a press is (owing to discrepancy between the rated squeeze of the press, the forging temperature and the precision of centering of a blank in the die), the greater its springback margin is and the greater the excess volume of blank that can be absorbed owing to extra elasticity of the press. Generally speaking thin forgings (height-to-diameter ratio 0.05-0.15, produced from long blanks (length-to-diameter ratio 1-2.5) are best suited for this purpose. Orig. art. has: 8 figures.

SUB CODE: 13, 11/ SUBM DATE: none/ ORIG REF: 005

Card 2/2

ACC NR: AP7001362

(N)

SOURCE CODE: UR/0413/66/000/021/0023/0023

INVENTOR: Kopyskiy, B. D.

ORG: none

TITLE: Method of making strips with lateral oblique fins. Class 7, No. 187713

SOURCE: Izobreteniya, promyshlennyye obratzsy, tovarnyye znaki, no. 21, 1966, 23

TOPIC TAGS: finned tube, finned strip, finned tube manufacturing, metal tube

ABSTRACT: This Author Certificate introduces a method of making finned strips with lateral or oblique fins by cutting finned tubes. To make strips with a certain width, length and different angle of the fins, the tube is cut at a certain angle to the axis, exceeding 0°. Orig. art. has: 1 figure. [ND]

SUB CODE: 13/ SUBM DATE: 31Jan64/ ATD PRESS: 5110

Card 1/1

UDC: 621.91-462: :62-418.7

ROZHDOVA, B.Ya., inzh.; KOPYSKIY, Kh.L., inzh.

Designing and building chemical industry enterprises. From.
stroit. 37 no.6:45-47 Je '59. (MIRA 12:8)
(Chemical plants) (Precast concrete construction)

KOPYSKIY, S. V.; ROMM, D. A.

"The Problem of Hygienic Evaluation of Building Plans for Barrack Premises,"
Voyenno-Med. Zhur., No. 6, p. 46, 1955.

KOPYSKIY, S.V., polkovnik med. sluzhby

Some practical aspects of preparing for camp service. Voen.med.
shur. no.3:49-53 Nr '57. (MIRA 11:3)
(MEDICINE, MILITARY AND NAVAL,
prep. of troops for camping (Rus)

KOPYSOV, A.A.; PLYUKHIN, V.I.; KRYUKOV, V.L., red.; ZUBRILINA, Z.P.,
tekhn. red.

[Catalog of spare parts for stationary engines] Katalog zapas-
nykh chastei k stacionarnym dvigateliam. Moskva, Gos.izd-vo
sel'khoz.lit-ry, 1959. 373 p. (MIRA 14:12)
(Diesel engines--Catalogs) (Hydraulic turbines--Catalogs)

KOPYSOV, Aleksandr Alekseyevich; KRYUKOV, V.L., red.; ZUBRILINA, Z.P.,
tekh.n.red.

[Catalog of spare parts for earthmoving and excavating machinery]
Katalog zapasnykh chastei k meliorativnym i zemleroinym mashinam.
Moskva, Gos.isd-vo sel'khoz.lit-ry, 1959. 339 p.

(MIRA 13:8)

(Earthmoving machinery)

KOPYSOV, Yu.G.

Chemical compound of a less than 0.001 mm. fraction of the non-carbonate part of marl - chalk rocks. Dokl. AN BSSR 7 no.3: 186-189 Mr '63. (MIRA 16:6)

1. Institut geologicheskikh nauk AN BSSR. Predstavleno akademikom AN BSSR K.I.Lukashevym.
(White Russia--Geology, Stratigraphic)

KOPYSOV, Yu.G.

Study of oriented aggregates of the noncarbonate part of marl - chalk
rocks. Dokl. AN BSSR 6 no.12:788-790 D '62. (MIRA 16:9)

1. Institut geologicheskikh nauk AN BSSR. Predstavleno akademikom
AN BSSR K.I.Lukashovym.

KOPYSOV, Yu.G.

Composition of fractions less than 0.001mm of the noncarbonate part of marl-chalk rocks of the eastern section of the White Russian S.S.R. Dokl. AN SSSR 152 no.2:422-425 S '63.

(MIRA 16:11)

1. Institut geologicheskikh nauk AN BSSR. Predstavleno akademikom N.M. Strakhovym.

KOPYSOV, Yu.G.

New data on the fraction $< 0.001\text{mm}$ of the noncarbonate part of marl-chalk rocks. Dokl. AN BSSR 7 no.1:37-39 Ja '63. (MIRA 17:1)

1. Institut geologicheskikh nauk AN BSSR. Predstavleno akademikom AN BSSR G.V. Bogomolovym.

KOPYSOV, Yu.G. [Kopysau, IU.R.]

Natural cement marls in the eastern part of the White Russian
S.S.R. Vestsi AN BSSR. Ser. fiz.-tekh. nav. no.3:81-88 '62.
(MIRA 18:3)

KOPYSOVA M.S.

AUTHORS: Lopato, G.A. and Kopysova, M.S. 121-4-8/32
TITLE: Duplex Two-pass Method of Cutting Bevel Gear Pairs
(Dvoynoy dvustoronniy metod narezaniya konicheskikh par)
PERIODICAL: Stanki i Instrument, 1958, ²⁹no.4, pp. 20 - 21 (USSR)

ABSTRACT: A proposal, due to A.L. Laschaver, called the duplex two-pass method, for the cutting of small and medium pitch bevel gear pairs with circular teeth of constant height is described. Practical tests are said to have established the usefulness of the method up to a module of 5.5 mm. In order to cut the wheel and pinion teeth with the same cutting head, the width of the tooth gap and the tooth must be constant along the whole of its length. This determines the spiral angle, and a table gives the cutting head diameters which can be so chosen that the spiral angle remains in the range of 30 - 40°. The cutting heads do not differ from the normal design, but have diameters other than standard. Reference is made to the senior author's previous paper in Vestnik Mashinostroyeniya, 1955, no.10. An editorial note disclaims the applicability of the method to gears of a module exceeding 2 mm and states other disadvantages, including a non-standard pressure angle and the large assortment of cutting heads required.

Card1/1

There are 1 figure, 1 table and 1 Russian reference.
AVAILABLE: Library of Congress
1. Gear cutting machines-Operation

MIRCHIK, T.G.; KOPYSSKAYA, F.G.; GRESHNYKH, K.P.

Effect of toxins of soil fungi on the nitrogen and amino acid
content of plants. Mikrobiologiya 31 no.4:669-676 J1-Ag '62.
(MIRA 18:3)

1. Biologo-pochvennyy fakul'tet Moskovskogo gosudarstvennogo
universiteta imeni Lomonosova.

KOPYSTIANSKI, Anatol, mgr., inz.

The problem of power reserve in electric power systems in the activities of the Committee for Poland's Electrification, Polish Academy of Sciences. Przegl elektrotechn 37 no.12:490-495 '61.

1. Komitet Elektryfikacji Polski Polskiej Akademii Nauk.

(Poland—Electrification)

KOPYSTIANSKI, Anatol. mgr., inż.

The problem of power reserve in electric power systems on the workshop of the Committee for Poland's Electrification, Polish Academy of Sciences. Przegl elektrotechn 37 no.12:490-495 '61.

1. Komitet Elektryfikacji Polski, Polska Akademia Nauk.

KOPYSTIANSKI, Anatol; MANDEL, Jakub

Adam Wang, August 14, 1903-January 3, 1963. Gosp paliw 11
no.2:61 F '63.

P/046/60/005/011/014/018
D249/D303

AUTHORS: Choinacki, S., Kopystyński, J., Preibisz, Z.,
Sosnowski, R., Yutlandov, I. (Dubna - USSR), and
Żylicz, J.

TITLE: β^+ radiation of ^{140}Pr

PERIODICAL: Nukleonika, v. 5, no. 11, 1960, 788

TEXT: (Abstract - Report No. 148/I A (IBJ - Institute of Nuclear Research, PAS)): The spectrum of positrons emitted by ^{140}Pr was investigated using a long lens magnetic β -ray spectrometer. Helical baffles were used to separate positrons and electrons. The maximum energies of the three β^+ components are 2366 ± 12 keV : 770 ± 12 keV : 485 ± 15 keV; their relative intensities are: 1 : $< 1.4 \times 10^{-2}$: 7.2×10^{-6} . [Abstractor's note: Complete translation].

Card 1/1

CHOJNACKI, S.; KOPYSTYNSKI, J.; PREIBISZ, Z.; SOSNKOWSKI, R.; ZYLICZ, J.;
YUTLANDOV, I.

Note on positron radiation from Pr^{140} . Acta physica Pol 20 no.12:
1021-1023 '61.

1. Institute for Experimental Physics, Polish Academy of Sciences,
Warsaw, (for Chojnacki and Kopystynski). 2. Institute for Nuclear
Research, Polish Academy of Sciences, Warsaw, (for Preibisz, Sosnkowski
and Zylisz). 3. Joint Institute for Nuclear Research, Dubna, USSR,
(for Yutlandov).

(Isotopes)

KOPYI... H.A.
STEPANOV, V.Ye., dotsent; KOPISTYANSKIY, A.A., starshiy nauchnyy
sotrudnik.

Diffraction spectrograph with double image and great resolving
power. Dop.ta pov.L'viv.un. no.4, pt.2:74 '53. (MLRA 9:11)

(Spectrograph)

Копия Стансыя А.А.

80W/1700

FRASE I BOOK EXPLORATIONS

L'vov, Universitet

Materialy I Vsesoyuznogo soveshchaniya po spektroskopii, 1956
t. II: Atomnaya spektroskopiya (Materialy of the 10th All-Union
Conference on Spectroscopy, 1956. Vol. 2: Atomic Spectroscopy)
(Soyuz Izd-vo L'vovskogo univ., 1958. 568 p. (Series: 156);
Pishevskiy stolnik, 77b-4(9)) 3,000 copies printed.

Additional Sponsoring Agency: Akademiya nauk SSSR, Kemiya po
spektroskopii.

- Editorial Board: G.S. Landsberg, Akademik, (Moscow, U.S.S.R.);
- B.S. Reznov, Doctor of Physical and Mathematical Sciences;
- I.L. Fabelinskiy, Doctor of Physical and Mathematical Sciences;
- V.A. Fabrikant, Doctor of Physical and Mathematical Sciences;
- V.G. Goritskiy, Candidate of Technical Sciences;
- Candidate of Physical and Technical Sciences, S. K. Mayskiy,
- (Moscow);
- Candidate of Physical and Mathematical Sciences, V. M. Malyshevskiy
- (Leningrad);
- Doctor of Physical and Mathematical Sciences, G. Ye.
- Alimovskiy, Doctor of Physical and Mathematical Sciences;
- M. I. S.L. Gasser, Tech. Sci. T.V. Saranyuk.

FOREWORD: This book is intended for scientists and researchers in
the field of spectroscopy, as well as for technical personnel
using spectrum analysis in various industries.

CONTENTS. This volume contains 177 scientific and technical studies
of atomic spectroscopy presented at the 10th All-Union Confer-
ence on Spectroscopy in 1956. The studies were carried out by
members of scientific and technical institutes and include
extensive bibliographies of Soviet and other sources. The
studies cover many phases of spectroscopy: spectra of rare earths,
uranium production, physics and technical methods for controlling
optics and spectroscopy, abnormal dispersion in metal alloys,
spectroscopy and the combustion theory, spectrum analysis of ores
and minerals, photographic methods for quantitative spectrum
analysis of metals and alloys, spectral determination of the
hydrogen content of metals by means of isotopes, tablas, and
studies of spectral lines, spark spectrographic analysis,
statistical study of variation in the parameters of calibration
curves, determination of traces of metals, spectrum analysis in
metallurgy, thermochemistry in metallurgy, and principles and
practice of spectrochemical analysis.

Card 2/31

80W/1700

Materials of the 10th All-Union Conference (Cont.)

- Vaynshteyn, E.O., and L.I. Pavlenko. Studying the Effect
of Total Rock Composition on the Results of Quantitative
Spectral Determination of the Mo Content of Granitoids 120
- Lopytanskiy, A.A. The Vertical Sun Telescope and the Small-
Size Diffraction Spectrograph of High Resolving Power at the
L'vovskaya astronomicheskaya observatoriya (L'vov Observatory) 123
- Makray, B.F. The PBOU-17 and PBOU-18 Photoelectric Optical
Amplifiers for Recording Extremely Small Infrared Emissions 125
- Malyavkin, L.P., A.M. Bogilevskiy, and I.S. Abramson. Improving
the Stability of Photomultipliers for the Photoelectric
Recording of Spectra 129
- Poyashonon, I.V. Effective Spectral Slit Width of a
Bunchatron when Aberrations Are Present 133

Card 9/31

KLIMISHIN, I.A.; KOPISTYANSKIY, A.A.

Some remarks on the processing of visual and photographic observations of artificial earth satellites. Biul.sta.opt.nabl.isk. sput.Zem. no.3:15-16 '58. (MIRA 13:6)

1. L'vovskaya astronomicheskaya observatoriya, stantsiya nablyudeniya iskusstvennykh sputnikov Zemli.
(Artificial satellites--Tracking)

SOV/58-59-12-28665

Translation from: Referativnyy zhurnal. Fizika, 1959, Nr 12, p 305 (USSR)

AUTHOR: Kopystyanskiy, A.A.

TITLE: On the Vertical Solar Telescope and Small-Sized Diffraction Spectrograph, of a High Resolution Power, of the L'vov Astronomical Observatory

PERIODICAL: Fiz. sb. L'vovsk. un-t, 1958, Nr 4 (9), pp 123 - 124

ABSTRACT: A report on the solar vertical telescope with a new transmission system, connecting the clock mechanism with the caelostat axis, constructed at the Astronomical Observatory of the L'vov University. The telescope is supplemented with a diffraction spectrograph, having an angular and linear dispersion, magnified by a factor of two, due to a double incidence of the beams on the diffraction grating.

A.V. Koroleva

Card 1/1

*Astronomical Observatory,
Lvov State Univ im W. Franko* ✓

KOZAK, P.P.; KOPISTYANSKIY, A.A.

Investigating a double-diffraction spectrograph at the Lvov
Astronomical Observatory. TSir. Astron. obser. L'viv. un.
no.39/40:81-84 '63. (MIRA 16:11)

KOPYSTYANSKIY, B.V.

Timer for synchronous recording of parameters. Avtom. i prib.
no.2:92-93 Ap-Je '63. (MIRA 18:8)

1. Spetsial'noye proyektno-konstruktorskoye byuro tresta
"Yuvmontazhavtomatika".

KOPYSTYANSKIY, B.V.

Size and frequency of ore samples in sizing analysis. Gor.
zhur. no.8:70-71 Ag '64. (MIRA 17:10)

L 13949-66 EWT(d)/EWT(m)/EWP(v)/EWP(k)/EWP(h)/EWP(1) JD

ACC NR: AP6005313

(A)

SOURCE CODE: UR/0413/66/000/001/0049/0049

INVENTOR: Burovoy, I. A.; Yemel'yanov, S. V.; Kopystyanskiy, B. V.

61
3

ORG: none

TITLE: Nonlinear contactless control device. Class 21, No. 177504
[announced by the State Scientific Research Institute of Nonferrous
Metallurgy (Gosudarstvennyy nauchno-issledovatel'skiy institut tsvetnykh metallov)]

14

SOURCE: Izobretaniya, promyshlennyye obratzy, tovarnyye znaki, no. 1,
1966, 49

TOPIC TAGS: control circuit, logic circuit, automatic control system

ABSTRACT: The proposed contactless controller (see Fig.) is intended for objects with interacting parameters in a system with a time lag. It contains a comparison unit, a shaper of the first difference of the error signal (a servomechanism whose motor is controlled by an OR-NOT circuit), and a device for shaping a signal proportional to the duration of the functioning of the actuating mechanism. The shaping device has a transformer output. In order to improve the response of the system and the accuracy of the output transformer, an additional winding is included in the output transformer. The winding is connected to the control logical element of the first-difference shaper and to two memory elements. The memory elements are interconnected

Card 1/2

UDC: 621-55:681.14

ACC NR: AP6005313

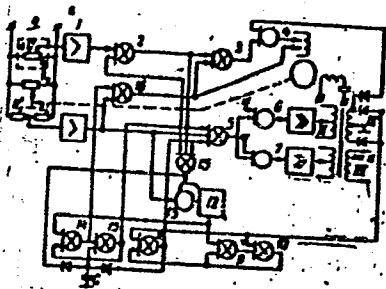


Fig. 1. Nonlinear contactless control device

1 - Amplifier; 2, 3, 6, 7 - logical elements; 4 - power amplifier; 5, 9, 10, 11, 15, 14, 16 - logical elements; 8 - actuating mechanism; 12 - counter; 13 - pulse generator.

through OR-NOT circuits and a pulse counter. The output of the first memory element is connected through an OR-NOT circuit to the logical element of the signal shaper. Orig. art. has: 1 figure. [DW]

SUB CODE: 09/ - SUBM DATE: 20Sep65/ ATD PRESS: 4/4/

OC

Card 2/2

ACC NR: L 13969-66 EWT(d)/EWP(1) IJP(e) EB/GG
AP6005363 SOURCE CODE: UR/0413/66/000/001/0109/0110

INVENTOR: Kopystyanskiy, B. V.; Matseyevich, B. V.

ORG: none

TITLE: Differentiator for obtaining derivatives in discrete systems. Class 42,
No. 177690

SOURCE: Izobreteniya, promyshlennyye obratzsy, tovarnyye znaki, no. 1, 1966, 109-110

TOPIC TAGS: automatic control, electron component

ABSTRACT: The proposed differentiator is designed to obtain derivatives in discrete automatic control systems or systems with a long-duration control process. It consists of a converter, two pulse counters with memory circuits, OR-NOT logical elements, two flip-flops, and a master oscillator. To obtain accurate differentiation and eliminate inertial components, the converter is connected through electronic switches to the pulse counters and logical elements. The latter are connected to the flip-flops, which in turn are connected to the electronic switches and the master oscillator. [DW]

SUB CODE: 09/ SUBM DATE: 20Apr65/ ATD PRESS: 4191

CC
Card 1/1

UDC: 621.374:621.3.078

L 39633-66 GD-2

ACC NR: AP6002879 (A)

SOURCE CODE: UR/0286/65/000/024/0038/0039

AUTHOR: Burovoy, I. A.; Yemel'yanov, S.V.; Kopystyanskiy, B.V. B

ORG: none

TITLE: Nonlinear controller. ¹⁰ Class 21, no. 176969 [announced by the State Scientific-Research Institute of Nonferrous Metals (Gosudarstvennyy nauchno-issledovatel'skiy institut tsvetnykh metallov)]

SOURCE: Byulleten' izobreteniy i tovarnykh znakov, no.24, 1965, 38-39

TOPIC TAGS: automatic regulation, automatic control, nonlinear automatic control, logic circuit, servomechanism, pulse counter

ABSTRACT: 1. The nonlinear controller for controlling inertial objects with interdependent parameters, consisting of a comparator, integrating actuator, logic circuit, and relay servomechanism, showing by coincidence in symbol the error and its derivative, and triggering the final control element across the logic circuit, is characterized by the fact that it has a pulse counter connected to the pulse-couple and logic circuit for the purpose of improving the quality of control by determining the error undercompensation. 2. The controller described in section 1, is characterized by the fact that

Card 1/2

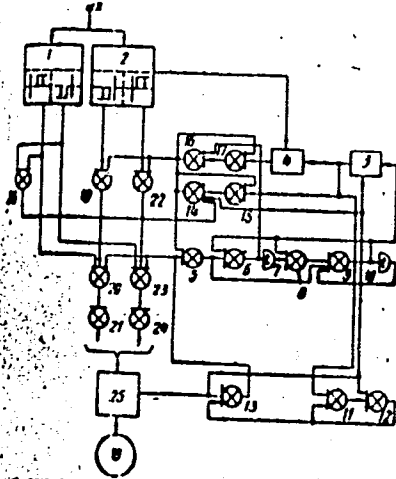
L 39633-66

ACC NR: AP6002879

its erasing coils are connected to the relay servomechanism for the purpose of disintegrating the data in the counter. 3. The controller described in sections 1 and 2 is characterized by the fact that the pulse-couple is connected to the logic circuit that triggers the actuator only for the pulse-couple impulse duration for the purpose of obtaining a more complete error undercompensation.

- 1. relay unit; relay servomechanism;
- 3, and 4. pulse counters;
- 5,6,8,9,11-17,19-24 and 26. logical elements with "OR - NO" function;
- 18. final control element;
- 25. power amplifier

SUB CODE: 09,13/ SUBM DATE: 02Sep64



Card 2/2MLP

KOPYSTYANSKIY, N. R.: "Diaphragmal hernias." L'vov State Medical
Inst. L'vov, 1956.
(Dissertation for Degree of Candidate in Medical Sciences).

SO: Krizhnaya letoris', No 23, 1956

KOPYSTYANSKIY, M.R. (L'vov, ul. Zhovtneva, d.71, kv.10)

Morphological changes in free grafts used for the repair of
diaphragmatic hernia. Nov.khir.arkh. no.1:96-99 Ja-F '59.
(MIRA 12:6)

1. L'vovskiy nauchno-issledovatel'skiy institut perelivaniya
krovi (nauchnyy rukovoditel' - prof. I.I.Fedorov) i kafedra
patologicheskoy anatomii (zav. - prof. Ye.I.Pal'chevskiy)
L'vovskogo meditsinskogo instituta.

(DIAPHRAGM--HERNIA) (TISSUES--TRANSPLANTATION)

KAMAYEV, M. F., prof. (L'vov, ul. TSitadel'naya, d. 7, kv. 8);
KOPYSTYANSKIY, N. R., kand. med. nauk

Hypoglycemic disease caused by adenoma of the islands of Langerhans. Nov. khir. arkh. no.2:16-21 '62. (MIRA 15:2)

1. Kafedra fakul'tetskoy khirurgii (zav. - prof. M. F. Kamayev)
pediatricheskogo i sanitarno-gigiyenicheskogo fakul'tetov L'vov-
skogo meditsinskogo instituta na baze 5-y klinicheskoy bol'nitsy.

(PANCREAS—TUMORS) (HYPOGLYCEMIA)

KOPYSTYANSKIY, O.S. [Kopystians'kyi, O.S.]

Experimental investigation of the effect of surface tension on the
velocity field of a uniform turbulent stream. Dop.AN URSSR
no.7:896-899 '61. (MIRA 14:8)

I. L'vovskiy politekhnicheskii institut. Predstavleno akademikom
AN USSR G.I.Sukhomelom [Sukhomel, H.I.].
(Hydraulics)

KOPYSTYANSKIY, R. S.

Translation from: Referativnyy zhurnal, Geologiya, 1957, Nr 7, p 152 (USSR) 15-57-7-9773

AUTHOR: Kopystyanskiy, R. S.

TITLE: Tectonic Fissures as Paths of Petroleum Migration in Geosynclinal Zones (Tektonicheskiye razryvy kak puti migratsii nefti v geosinklinal'nykh zonakh)

PERIODICAL: V sb: Vopr. geol. neft. mestorozhdeniy, Kiyev, 1956, pp 51-61

ABSTRACT: The permeability of faulted zones may be greater than the permeability of some sandstones. Three types of faults are distinguished. They are: regional, local, and in-a-stratum. Regional faults are main paths of migration of petroleum from rocks at the depths where the petroleum is formed to the deposits at a higher level. Local faults are main paths of migration of petroleum within the fold with which it is associated.

Card 1/2

3(5)

PHASE I BOOK EXPLOITATION

SOV/2302

Akademiya nauk Ukrainskoy SSR. Institut geologii poleznykh iskopayemykh

Problema migratsii nefti i formirovaniya neftyanykh i gazovykh skopleniy: Materialy konferentsii 8-12 maya 1957 g. (Problem of Oil Migration and the Formation of Oil and Gas Accumulations: Materials of the Discussion Held in L'vov, May 8-12, 1957) Moscow, Gosoptekhnizdat, 1959. 422 p. 1100 copies printed.

Eds.: V. B. Fortiriyev, Academician of the Ukrainian SSR Academy of Sciences, and I. O. Brod, Professor; Ekse. Ed.: P. B. Yershov; Tech. Ed.: A.S. Polovina; Editorial Board: I.O. Brod, Professor, R.M. Ladyzhenskiy, and V.B. Fortiriyev, Academician of the Ukrainian Academy of Sciences.

PURPOSE: This collection of articles is intended for a wide range of geologists and research workers interested in oil problems.

COVERAGE: Articles contained in this book deal with the problems of migration and accumulation of oil and gas. These problems were

discussed in May 1957 at L'vov State University in. I. Franko at a meeting organized jointly by the Institute of Geology and Mineral Resources, Academy of Sciences of the USSR, the Department of Geology and Oil Exploration of the L'vov Polytechnic Institute, and the L'vov Geological Society. Theories on the origin of petroleum deposits and the conditions surrounding their occurrence are treated. There are 327 references: 232 Soviet, 86 English, 5 French, and 4 German.

TABLE OF CONTENTS:

Introduction	3
Opening Address by the President of the Organization Committee of the Conference V.B. Fortiriyev	5

REPORTS

Moseyev, V. Ye. (Gornyy okrug, L'vov) Information on the Oil-bearing Possibilities of China	228
Agabekov, M. G. (Institut geologii in. Gubkina, Baku) The Ways of Oil Migration and the Formation of Deposits in the Productive Series of the Prikuminskaya (Kura) Lowland and the B ₀ kinakiy (Baku) Archipelago	233
Geller, Ye. M. (Lower Volga Branch of VNIIGI, Saratov) The Problem of the Diffusive Dispersion of Gas Deposits	241
Sokolov, V. A. The Diffusive Dispersion of Gas Deposits (a reply to Ye. M. Geller's report)	251
Polenka, G. M. [Institut geologii poleznykh iskopayemykh, L'vov] Conditions of Oil Deposit Formations in the Eastern Carpathian Mountains	257
Krayushkin, V. A. [Institut geologii poleznykh iskopayemykh, L'vov] Basic Principles of Oil and Gas Accumulation in a Chain of Connected Traps	267
Konvatskiy, B. A. [Institut geologii poleznykh iskopayemykh, L'vov] The Significance of Fissuring in the Formation of Oil Deposits	277
Kityk, V. I. [Institut geologii poleznykh iskopayemykh, L'vov] Conditions of Oil and Gas Deposit Formation in the Dneprovsko-Donetskaya Depression	283
Slutshka, A. M. [L'vovskiy politekhnicheskii institut] Formation of Oil and Gas Deposits in the Dneprovsko-Donetskaya Depression	294

3(5)

AUTHORS:

(Kopystyans'kyy, R.S.), SOV/21-59-2-20/26
~~Kopystyans'kyy, R.S.,~~ /Ishchenko, A.M. and Beldyreva,
T.A. Beldyreva, T.O.)

TITLE:

Fragments of Coal in the Flysch Deposits of the Carpathians (Oblomki uglya v porodakh Karpatskogo flisha)

PERIODICAL:

Dopovidi Akademii nauk Ukrain'skoi RSR, 1959, Nr 2, pp 192-193 (USSR)

ABSTRACT:

The authors participated in the field explorations of the mineral structure of the Soviet Carpathians, and among other things, found there fragments of coal up to 40 cm in diameter. That coal resembles the coals of the L'vovskiy-Volin'skiy flexure in the type of spores and in the substantially petrographical structure. This fact agrees with the assumption of the Polish geologists, that the northern slope of the flysch sea consisted of productive carbon over a considerable area. By its spore analysis, that coal belongs to the coal found in the Bashkirskiy stage of the

Card 1/2

Fragments of Coal in the Flysch Deposits of the Carpathians SOV/21-59-2-20/26

middle carbon. There are 9 references, 1 of which is Soviet and 8 Polish.

ASSOCIATION: Institut poleznykh iskopayemykh AN UkrSSR (Institute of Useful Minerals of the AS UkrSSR)

PRESENTED: AS UkrSSR By V.B. Porfir'yev, Member of the

SUBMITTED: October 17, 1958

Card 2/2

KOPYSTYANSKIY, R.S.

"Fissured rocks and their reservoir properties." Reviewed by
R.S.Kopystianskii. Geol.nefti i gaza 3 no.10:52-54 0 '59.
(MIRA 12:12)

(Petroleum geology)

KOPYSTYANSKIY, R.S. [Kopystians'kyi, R.S.]

Jointy rocks in the Carpathians and their reservoir properties.
Geol. zhur. 20 no. 3:27-34 '60. (MIRA 14:4)
(Carpathian mountains--Petroleum geology)

KOPYSTYANSKIY, R.S. [Kopystians'kyi, R.S.]

New data on the role of joints in the formation of oil-bearing
sediments in the Borislav deposit. Pratsi Inst. geol. kor.
kop. AN URSS 1:94-100 '61. (MIRA 14:6)
(Borislav region—Petroleum geology)
(Joints (Geology))

KOPYSTYNSKA, Krystyna

Investigations on the vision of infrared in animals. Pt.3.
Prace zool no.7:95-107 '62.

1. Department of Zoopsychology and Ethology, Jagiellonian
University, Krakow. Director: prof. dr. R.J.Wojtusiak.

*

KOPYSTYNSKI, Jacek

Electric charge testing of dust by measuring the deviation
in the electrostatic field. Przegł elektroniki 5 no.11:
597-602 N '64.

L 00353-66 EWT(d)/EWT(l)/EWP(m)/EWP(w)/EWA(d)/EWP(v)/T-2/EWP(k)/FCS(k)/EWA(h)/
ETC(m)/EWA(l) WW/EM

ACCESSION NR: AP5021705

PO/0033/65/017/003/0453/0466

AUTHORS: Kopystynski, J. (Warsaw); Szaniawski, A. (Warsaw)

10
39
B

TITLE: Flow structure in a nozzle throat

SOURCE: Archiwum mechaniki stosowanej, v. 17, no. 3, 1965, 453-466

TOPIC TAGS: transonic flow, sonic point, nozzle flow, real gas flow, ordinary differential equation, velocity profile

ABSTRACT: A detailed mathematical analysis is made of the transonic flow of a real gas in the throat section of a nozzle. The analysis is based on a paper by A. B. Vasileva (Zhurnal vychislitel'noy matematiki i matematicheskoy fiziki 4, 3 (1963), 611-642). The discussion of the following differential equation

$$\delta U'' = UU' - ff'$$
$$\delta = \frac{1}{(\gamma+1)\tau} \left[D_n + \frac{1}{\rho^* a^*} \left(\frac{4}{3} \eta^* + \zeta^* \right) \right],$$

also includes first order dissipation effects. The differential equation is written in the form

$$\delta \frac{dW}{dx} = F(W, U, x), \quad \frac{dU}{dx} = W,$$

Card 1/3

L 00353-66

ACCESSION NR: AP5021705

and the following two problems are considered: (1) for $\delta > 0$, a solution is sought for $U(x)$ and $W(x)$ satisfying boundary conditions

$$U(x_0) = U_0, \quad W(x_0) = W_0;$$

(2) for $\delta = 0$ a solution is sought for \bar{U} and \bar{W} subject to boundary condition $U = U_0$. Conditions are established which make solution (1) tend to solution (2), and an approximate asymptotic solution is proposed for problem (1), i.e.,

$$\delta \frac{d^2 U}{dx^2} = U \frac{dU}{dx} - f \frac{df}{dx}, \quad \delta \rightarrow 0.$$

This is done by expanding f in Maclaurin series and defining U by a stream function $\psi(\xi)$

$$U = \sqrt{2\delta} f_0 [\psi(\xi) + R(\delta, \xi)], \quad \text{where } \lim_{\delta \rightarrow 0} R(\delta, \xi) = 0.$$

This leads to the solution

$$\psi(\xi, A, \psi_0) = -\xi + \frac{(1+A)\xi F\left(\frac{1-A}{4}, \frac{3}{2}, \xi^2\right) + \psi_0 F\left(-\frac{1+A}{4}, \frac{1}{2}, \xi^2\right)}{F\left(\frac{1-A}{4}, \frac{1}{2}, \xi^2\right) - \psi_0 F\left(\frac{3-A}{4}, \frac{3}{2}, \xi^2\right)}.$$

It is shown that if $\psi(\xi, \psi_0)$ is a solution, then $-\psi(-\xi, -\psi_0)$ is also a solution. For large ξ , the asymptotic solution yields

Card 2/3

L 00353-66

ACCESSION NR: AP5021705

$$\psi(\xi, A, \psi_0) = \begin{cases} \xi + \frac{1-A}{2\xi} - \frac{(1-A)(3-A)}{8\xi^3} + O(\xi^{-5}), \\ -\xi + \frac{1+A}{2\xi} + \frac{(1+A)(3+A)}{8\xi^3} + O(\xi^{-5}). \end{cases} \quad \xi \rightarrow \pm \infty$$

The solution is then discussed in the framework of continuous and discontinuous domains. It is shown that the external solutions $\bar{U}(x)$ can be fitted with the internal solutions $\bar{U}(\xi)$. This shows that the negative acceleration inside the thin dissipative layer at the throat can attain large values despite the fact that the velocity differences on both sides approach zero with vanishing dissipation. Orig. art. has: 51 equations, 5 figures, and 1 table.

ASSOCIATION: Department of Fluid Mechanics, IBTP Polish Academy of Sciences

SUBMITTED: 24Sep64

ENCL: 00

SUB CODE: ME

NO REF SOV: 003

OTHER: 004

SW
Card 3/3

P/045/61/020/012/004/004
B137/B104

AUTHORS: Chojnacki, S., Kopystyński, J., Preibisz, Z., Sosnowski, R.,
Zylicz, J., and Yutlandov, I.

TITLE: Note on positron radiation from Pr¹⁴⁰

PERIODICAL: Acta Physica Polonica, v. 20, no. 12, 1961, 1021 - 1023

TEXT: In their letter to the editor the authors report on an investigation of the positron spectrum of Pr¹⁴⁰. Measurements were made with a long-lens spectrometer in which helical baffles were applied to separate positron and electron radiations. The Pr¹⁴⁰ isotope was obtained from a neodymium fraction separated from a tantalum target by the chromatographic method. The target was irradiated with 660-Mev protons (synchrocyclotron of the Joint Institute of Nuclear Research at Dubna). Nd¹⁴⁰ contained in the Nd fraction decays into Pr¹⁴⁰ by electron capture. The Kurie plot is a straight line from 350 kev up to the maximum energy of 2366 ± 24 kev B. S. Dzhelepov (Zh. eksper. teor. fiz., 37, 857 (1959); Izv. Akad. Nauk SSSR Ser. fiz., 22, 153 (1958); Papers presented at the Second Conference on Neutron Deficient Isotopes of the Rare Earth Elements, Joint Inst. of

Card 1/2

✓

PA 149772

USSR/Medicine - Psychiatry
Psychoses

Jan/Feb 49

"Scientific Conferences of the Kiev Psychiatric Hospital Inent Academician I. P. Pavlov in 1947 - 1948," Prof Ye. A. Kopystynskiy, 3 pp

"Neuropatol i Psikhiat" Vol XVIII, No 1

With Prof Ye. A. Kopystynskiy, Chm, G. M. Gal'perinaya, Z. A. Grul', and Ye. M. Yumak, secretaries, 28 sessions were held 21 Jan 47-14 Apr 48. Sixty-one reports and demonstrations were given, among them: "Capillary Resistance to Psychoses," by Docent I. A. Polishchuk, and "A Case of

149772

USSR/Medicine - Psychiatry (Contd) Jan/Feb 49

Regeneration of Ratke's Canal," by Prof B. S. Khomlinskiy and Docent Rabinovich. Some reports were read by guests (Prof Ya. P. Frumkin, etc.); others treated organization problems.

149772

KOPYT, A.D.

Relation of spring soil moisture reserves to meteorological conditions in Kazakhstan. Trudy KazNICMI no.2:9-22 '54. (MLRA 9:11)
(Kazakhstan--Soil moisture)

KOPYT, A.D.

Characteristics of soil moisture reserves under basic
agricultural crops of Kazakhstan grain regions. Trudy
KazNIGMI no.4:118-152 '55.

(MLRA 10:2)

(Kazakhstan--Soil moisture) (Grain)

AUTHOR: Kopyt, A. D.

50-1-8/26

TITLE: Peculiarities in the Water Conservation of Soil **In Spring**
Wheat Under Different Methods of Cultivation
(Osobennosti vodnogo rezhima pochvy pod yarovoy pshenitsey
pri razlichnykh sposobakh yeye obrabotki).

PERIODICAL: Meteorologiya i Gidrologiya 1958, Nr 1, pp. 33-37 (USSR)

ABSTRACT: In the course of two years (1955-1956) expeditionary investigations in the Yesilsk district were carried out by the department of agricultural meteorology in the Hydrometeorological Research Institute of Kazakwstan in cooperation with the expedition of the Vilyams-Institute for Agriculture of Kazakwstan. This district is one of the main granaries of the region of Akmolinsk whose areas of sowing amount to 562.000 ha, 550.000 ha of which are newly-won virgin soil. The ground cover of the district Yesilsk mainly consists of carbonaceous dark brown soils of clay and heavy loam. Meteorologically these two years of research were very different. From the general description of atmospheric conditions follows that 1955 was a dry year, but 1956 an almost normal year for this region. From the investigations performed the following conclusions may be drawn: 1) The cultivation of the virgin soil according

Card 1/3

Peculiarities in the Water Conservation of Soil In Spring
Wheat Under Different Methods of Cultivation

50-1-8/26

to the usual method with a plow and jointer in a depth of 22-25 cm, as compared to the cultivation of soil with the disk harrow and subsequent loosening of the soil, yields the most favorable conditions for the water supply of spring wheat. 2) The stubbles left behind for winter contribute toward a considerable increase in water supplies in the snow. 3) A deep loosening of the soil (for the second and third culture) yields higher accumulations of ground humidity at the beginning of spring. The advantage of the above-mentioned process for the conservation of humidity and in the period of cultivation of the soil for the seed in the next year as well as in the vegetation period of spring wheat was determined in the pre-plowed soils. 4) The parietal cultivation of the soil (the stubble jointing) for the sowing of the second culture diminishes the loss of moisture by evaporation of the ground surface. The same cultivation of soil for the sowing of the third culture somewhat increases the loss of humidity, which is connected with the consolidation of soil. Consequently the order of plowing and parietal cultivation of soil is necessary for improving the conditions of water supply.

Card 2/3

Peculiarities in the Water Conservation of Soil **In Spring**
Wheat Under Different Methods of Cultivation

50-1-8/26

There are 2 figures, 1 table.

AVAILABLE: Library of Congress

1. Agriculture-USSR 2. Soils-Moisture content

Card 3/3

KOPYT, A.D.; ANISTRATENKO, D.P.

The problem of adequate borehole numbers in soil moisture determination. Trudy KazNIGMI no.13:89-96 '59. (MIRA 13:8)
(Kazakhstan--Soil moisture)

KOPYT, A.D.

Method of determining soil moisture in the regions of the arid
steppe zone of Kazakhstan. Trudy KazNIGMI no.24:154-166 '65.

(MIRA 18:10)

KOPYTIN, A., general-mayor aviatsii

Let's improve the political education of military personnel.
Komm.Vooruzh.Sil 1 no.2:26-34 0 '60. (MIRA 14:8)
(Russia--Armed forces--Political activity)

KOPYTIN, A., polkovnik

Training in self-discipline and expedition. Av. i kosm. 48
no.12:29-32 D '65. (MIRA 18:11)

KOPYTIN, A. M.

258T28

USSR/Electricity - Drive Systems

Apr 53

"Mechanical Characteristics of Electric-Hydraulic Drives," Prof M. G. Chilikin, A. M. Kopytin, Cand Tech Sci, Moscow Power Eng Inst im Molotov (MEI)

Elektrichestvo, No 4, pp 47-55

Outlines procedure for plotting mech characteristics of elec drive with hydraulic pump-and-motor transmission (elec-hydraulic drive). Cites eqs for mech characteristics, facilitating comparison of elec and elec-hydraulic types of drive. Shows way to set up equivalent circuit of

258T28

elec-hydraulic drive. This article covers part of a work completed by the authors under an agreement on cooperation between MEI and the ZIS automobile plant. Submitted 19 Nov 52.

ACCESSION NR: AP4041635

S/0182/64/000/006/0024/0026

AUTHOR: Matveyev, I. B., Kopy*tin, A. M.

TITLE: Hammers with hydraulic drives and selection of their control systems

SOURCE: Kuznechno-shtampovochnoye proizvodstvo, no. 6, 1964, 24-26

TOPIC TAGS: hydraulic hammer, steam air hammer, hydraulic hammer control system, hydraulic hammer design, hydraulic hammer efficiency, hammer operation economy, hammer performance characteristic

ABSTRACT: The authors designed a new control system facilitating the use of individual hydraulic drives for hammers and satisfying the requirements for continuously variable stroke length in operation, rapid reversing (0.01 - 0.03 sec.) without the use of mechanical systems fastened to the hammer, as well as accumulation of high energy (10^3 or 10^4 kgm) and its release within a few hundredths of a second. Utilizing a relatively small volume of compressible liquid as an accumulator and a system of rapid action valves, they built a prototype with a maximum impact energy of 100 kgm and a hammer unit weighing 32 kg.

Card 1/2

ACCESSION NR: AP4041635

capable of 300 double strokes per minute and developing impact energies of 70 kgm for a height of 175 mm (i. e., ratio of acceleration of $g = 12$ to 14). Tests of the prototype indicate high efficiency (0.6) and the feasibility of using the proposed system for hydraulic hammers. Pressure in the accumulator should be 600-700 kg/cm² and the unit should be separated from the overall pressure network (100-150 kg/cm²). Calculations of operating economy, based on consumption of electricity to operate the M-211 unit (max. impact energy 3500 kgm, hammer unit 1000 kg) for 5960 hrs. per year, indicate annual savings of 322,000 rubles for 100 hammers (0.012 rubles per kwh; 22 kwh required for proposed system as compared to 67 kwh for present compressed air requirement of 670 m³/hr.), and suggest the advisability of modifying present steam-air hammers to hydraulic operation. Orig. art. has: 2 diagrams and 4 formulas.

ASSOCIATION: none

SUBMITTED: 00

ENCL: 00

SUB CODE: IE

NO REF SOV: 002

OTHER: 000

2/2

Card

KOPYTIN, A.T., general-mayor aviatsii

For you, comrade sailors. Starsh.-serzh. no.7:38 J1 '62. (MIRA 16:6)

1. Nachal'nik Upravleniya Voennoy izdatel'stva.
(Bibliography--Russia--Navy) (Russia--Navy--Bibliography)

GLAZKOV, P.G., inzh.; GRIGOR'YEV, F.N., inzh.; MURZOV, K.T., inzh.;
SLADKOSHTEYEV, V.T., inzh.; Primali uchastiye: MALAKHA, A.V.;
POKRASS, L.M.; DRUZHININ, I.I.; OSIPOV, V.G.; KONDRATYUK, A.M.;
POLYAKOV, I.V.; GORDIYENKO, M.S.; PAVLOV, M.T.; KOPYTIN, A.V.;
PARASHCHENKO, R.A.; POTANIN, R.V.; AKHTYRSKIY, V.I.; BRUK, S.M.;
YEVTUSHENKO, V.V.; LEYTES, A.V.; STRELETS, V.M.

Continuous casting of 140-ton steel heats with four-channel
equipment. Stal' 22 no. 6:501-504 Je '62. (MIRA 16:7)

SLADKOSHTEYEV, V.T.; AKHYRSKIY, V.I.; POTANIN, R.V.; KUCHMINSKIY, Yu.M.;
SLIN'KO, A.N.; Prinsipali uchastiye: GRIGOR'YEV, F.N.; DRUZHININ,
I.I.; OSIPOV, V.G.; PARASHCHENKO, R.A.; KOPYTIN, A.V.; KOLESNIK,
A.Ye.; KHAVALADZHI, V.I.; NOSOCHENKO, C.V.

Material balance of smelting with continuous casting. Sbor.trud.
UNIM no.11:124-130 '65.

(MIRA 18:11)

KOPYTIN, B.

Seventeen nonstaff sections. Okhr.truda i sots.strakh. 5
no.3:24 Mr '62. (MIRA 15:4)

1. Zaveduyushchiy otdelom okhrany truda Kuybyshevskogo
oblastnogo soveta profsoyuzov.
(Kuybyshev Province--Industrial safety)

BA

KOPY TIN

C-4

2877. A micro-chemical for quantitative polarographic analysis.
N. M. Galina and E. M. Kopylov (Biochimia, 1950, 18, 94-96).—An
apparatus is described for polarographic analysis which permits
estimations to be made with 0.3—1.0 ml. solution. D. H. SMYTH.

KOPYTIN, B. M.; SEMIN, A. V.

Microtome for preparations of sections for manometric examinations. Arkh. pat., Moskva 12 no. 5:91-93 Sept.Oct. 1950.(CML 20:1)

1. Of the Department of Pathological Physiology (Head -- Prof. A. M. Charnyy), Central Institute for the Advanced Training of Physicians.

CB

11B

A composite electrolyte for quantitative polarographic analysis. N. M. Glawo and H. M. Koppin (Postgraduate Med. Inst., Moscow). *Nichimija* 15, 94 (1950).
A complete, one-piece, polarographic app. is described for detg. mg. constituents in *bio. materials*. The material is ignited in a Pyrex tube, the mineralized substance dissolved in 0.3-1.0 ml. of solvent, and the soln. siphoned directly into the microelectrolyte. H. Priestley

KOPYTIN, B. M.

"Oxidation Processes and Ketogenesis in the Liver During Starvation and Hypoxic Conditions." Sub 16 Oct 51, Central Inst for the Advanced Training of Physicians.

Dissertations presented for science and engineering degrees in Moscow during 1951.

SO: Sum. No. 480, 9 May 55.

KOPYTIN, B.M.; KAYBANOV, G.S.

Some principles of V.G.Prokopenko's general theory on the effect of health resort factors; discussion. Vop.kur.fizioter. i lech. fiz. kul't. 21 no.3:77-81 J1-S '56. (MLRA 9:10)

(HEALTH RESORTS, WATERING PLACES, ETC.)
(THERAPEUTICS, PHYSIOLOGICAL)

B.M. KOPYTIN

USSR/Human and Animal Physiology. Digestion.

V

Abs Jour: Ref. Zhur-Biol., No 6, 1958, 27033.

Author : B.M. Kopytin.

Inst :

Title : The Problem of the Complex-Reflex Phase in the
Action of Mineral Waters on the Exocrine Secretion
of the Pancreas.

Orig Pub: Fiziol. zh. SSSR, 1956, 42, No 8, 713-720.

Abstract: In dogs with fistulas of the stomach and duct of
the pancreas, determinations were run on the
amount of pancreatic juice and the activity of
amylase and trypsin before and after introduction
into the stomach of 250 ml of distilled water or
mineral waters (Essentuka No. 17 and Nagutskaya
water) upon hunger secretion of pancreatic juice.

Card : 1/3

52

DERYABINA, V.M.; KOPYTIN, B.M.

Significance of the time factor in the ingestion of mineral waters.
Vop.kur., fizioter. i lech. fiz. kul't. 25 no.1:20-24 '60.

(MIRA 13:5)

1. Iz otdela eksperimental'noy bal'neologii (zav. - doktor med.
nauk A.K. Pislegin) Bal'neologicheskogo instituta na Kavkazskikh
Mineral'nykh Vodakh (dir. - dotsent I.S. Savoshchenko).
(MINERAL WATERS) (STOMACH--SECRECTIONS)

KOPYTIN, B.M.; KAYBANOV, G.S. [deceased]

Influence of temperature, salt component, and carbon dioxide content on the evacuation from the stomach of Slavyanskaya and Essentuki No.17 mineral waters. Vop.kur.,fizioter.i lech.fiz. kul't. 25 no.1:20-24 '60. (MIRA 13:5)

1. Iz otdela eksperimental'noy bal'neologii (sav. - doktor med. nauk A.K. Pislegin) Bal'neologicheskogo instituta na Kavkasskikh Mineral'nykh Vodakh (dir. - dotsent I.S. Savoshchenko). (MINERAL WATERS) (STOMACH)

KOPYTIN, B.M.; STEPANOV, K.N. (Pyatigorsk)

Diagnosis of chronic pancreatitis; external secretory function of the pancreas and morphophysiological parallels in chronic pancreatitis in dogs. Pat.fiziol. i eksp. terap. 5 no.3:60-64 My-Je '61.

(MIRA 14:6)

1. Iz otdela eksperimental'noy bal'neologii (zav. - doktor meditsinskikh nauk A.K.Pislegin) Bal'neologicheskogo instituta (dir. - dotsent I.S.Savoshchenko) na Kavkazskikh Mineral'nykh Vodakh.

(PANCREAS--DISEASES)

KOPYTIN, B.M., starshiy nauchnyy sotrudnik

Changes in the exocrine function of the pancreas during the internal
use of water from well No. 4 of Pyatigorsk health resort. Uch.zap.
Pyat.gos.nauch.-issl.bal'n.inst. 3:212-218 '60. (MIRA 15:10)
(PANCREAS--SECRETIONS) (PYATIGORSK--MINERAL WATERS)

KOPYTIN, F.G., inzh.

Use of an impulse method for locating damage in cables.
Avtom., telem. i sviaz' 5 no.6:36-38 Je '61. (MIRA 14:9)

1. Laboratoriya elektricheskikh liniy i setey kafedry elektro-
svyazi Leningradskogo instituta inzhenerov zheleznodorozhnogo
transporta.

(Electric lines--Testing) (Electric measurements)

KUZNETSOV, Oleg Andreyevich; KOPYTOV, I.P., red.

[Automatic control of the interface level of two media]
Avtomaticheskii kontrol' urovnia razdela dvukh sred.
Moskva, Energiia, 1964. 85 p. (Biblioteka po avtomatike,
no.112) (MIRA 17:12)

KOPYTIN, I.P., aspirant

Tillage for secondary crops under irrigation. Zemledelie
26 no.3:50-52 Mr '64. (MIRA 17:4)

KOPYTIN, I.V. (Kemerov)

Hospitalization of patients with appendicitis in some rural areas. Sov. zdrav. 22 no.9:57-60 '63. (MIRA 17:4)

1. Iz kafedry organizatsii zdravookhraneniya i istorii meditsiny (ispolnyayushchiy obyazannosti zaveduyushchego I.V. Kopytin) Kemerovskogo meditsinskogo instituta.

KOPYTIN, L. A.

USSR/Radio Transmission
Telegraphy

Jan 1946

"Let Us Advance Soviet Technique in Radio-communications and Radio-broadcasting," L. A. Kopytin, Chief Engr, Central Administration of Radio Communication and Broadcasting for the People's Commissariat of Communications, 1 p.

"Vestnik Svyazi - Elektro Svyaz," No 1 (70)

It is planned to carry out a wholesale transfer of radio apparatus to the Bodo-radio type, construct more rebroadcasting points so as to increase the quality of communications with the Far East, adopt Ch T (frequency telegraphy) on several trunk lines, increase the quality of communications lines
19734

USSR/Radio Transmission (contd) Jan 1946
Telegraphy

reception by use of amplitude modulation, and adopt several other means of generally increasing the quality of Russian radio communications.

19734

KOPYTIN, L. A.

Technology

(Radio broadcasting centers). Moskva, Sviaz'izdat, 1951.

Monthly List of Russian Accessions, Library of Congress, November 1952. UNCLASSIFIED

KOPYTIN, Leonid Alekseyevich; KHMEL'NITSKIY, Ye.P., otvetstvennyy redaktor;
USHOMIRSKAYA, M.M., redaktor; KHELEBSKAYA, L.M., tekhnicheskiy redaktor.

[Technical operation of radio transmitting centers] Tekhnicheskaya
ekspluatatsiya peredavushchikh radiotsentrov. Moskva, Gos. izd-vo
lit-ry po voprosam svyazi i radio, 1954. 435 p. [Microfilm](MLRA 8:1)
(Radio--Transmitters and transmitting)