

KEVESH, L.Ye.

Hemosiderosis of the lungs in mitral valve diseases. Vest.rent. i  
rad. 31 no.4:27-32 J1-Ag '56. (MLRA 9:10)

1. Iz rentgenovskogo otdeleniya (zav. L.Ye.Kevesh) Gorodskoy  
bol'nitsy Vasileostrovskogo rayona Leningrada (glavnyy vrach K.A.  
Pozdnyakov)

(HEMOSIDEROSIS, etiol. and pathogen.  
lungs caused by mitral valve dis.)

(MITRAL VALVE, dis.  
causing hemosiderosis of lungs)

(LUNG DISEASES, etiol. and pathogen.  
hemosiderosis, caused by mitral valve dis.)

KEVESH, L. Ye., Cand of Med Sci -- (diss) "Aging of the bone<sup>o</sup>instep and a differtial diagnosis with pathological changes (clinicoroentgeno-anatomical investigations)." Leningrad, 1957, 14 pp (1st Leningrad Medical Institute im Pavlov), 200 copies (KL, 32-57, 97)

Considering the importance of these facts to take these facts into consideration. The general rule which may be recommended in approach to de-

KEVESH, L. Ye.

EXCERPTA MEDICA Sec.9 Vol.11/9 Surgery Sept 1957

4949. KEVESH L. E. \*Skeletal changes of ankle and foot in the aged (Russian text) VESTN. KHIR. 1957, 78/4 (38-41)

The peculiarities of involutive geriatric bone and joint phenomena roentgenologically demonstrated are assessed with the purpose of defining the limit between the normal and pathological conditions in elderly persons. The clinicoroentgenological data were compared with the results of a study of anatomical and macerated preparations. Patients with different pathological foot alterations and 900 healthy human beings from 25 to 98 yr. of age were investigated.

*Chair of Roentgenology & Radiology*

*1st Leningrad Med. Inst. im I. P. Pavlov*

KEVESH, L.Ye.

X-ray diagnosis of bursitis subcalcanear [with summary in English].  
Vest.rent.i rad. 33 no.2:57-62 Mr-Apr '58. (MIRA 11:6)

1. Iz kafedry rentgenologii i radiologii (zav. - chlen-korrespondent  
AMN SSSR prof. D.G.Rokhlin) I Leningradskogo meditsinskogo instituta  
imeni akad. I.P.Pavlova.

(BURSITIS, diag.

x-ray, in bursitis subcalcanear (Rus))

(CALCANEUM, dis.

bursitis subcalcanear, x-ray diag. (Rus))

KEVESH, L.Ye.

A case of so-called rachischisis totalis. Vest.rent. 1 rad.  
33 no.5:108-110 S-0 '58 (MIRA 11:11)

1. Iz rentgenovskogo otdeleniya (zav. L.Ye. Kevesh) Gorodskoy  
bol'nitsy Vasileostrovskogo rayona Leningrada (glavnyy vrach K.A.  
Pozdnyakov).

(SPINE, abnorm.  
rachischisis totalis (Rus))

KEVESH, L.Ye. (Leningrad, ul. Mayakovskogo, d.11, kv.5); LINDENBRATEN, L.D.

Tomography of the heart and major vessels of the thoracic cavity.  
Vest.rent.i rad. 36 no.3:19-26 My-Je '61. (MIRA 14:7)

1. Iz kafedry rentgenologii i radiologii (zav. - doktor med.nauk  
L.D.Lindenbraten) i Moskovskogo ordena Lenina meditsinskogo instituta  
imeni I.M.Sechenova.

(CARDIOVASCULAR SYSTEM--RADIOGRAPHY)

GOL'DSHTEYN, L.M.; PROKOP'YEVA, Ye.I.; KEVESH, L.Ye.; MEZERNITSKIY, Ye.P.

Principles of roentgenocinematography and the possibility for its use in the examination of the esophagus and stomach. Vop.onk. 7 no.12:31-37 '61. (MIRA 15:1)

1. Iz rentgenologicheskogo otdeleniya (zav. - prof. L.M. Gol'dshteyn) Instituta onkologii AMN SSSR (dir. - deystvitel'nyy chlen AMN SSSR prof. A.I. Serebrov).  
(SINEFLUOROGRAPHY) (STOMACH---RADIOGRAPHY)  
(ESOPHAGUS---RADIOGRAPHY)

KEVESH, L. Ye. (Leningrad, D-14, ul. Mayakovskogo, 11, kv.5)

Roentgen cinematography in the study of esophageal pneumorelief  
in cancer. Vop. onk. 9 no.7:52-56 '63 (MIRA 16:12)

1. Iz rentgenologicheskogo otdeleniya (ispolnyayushchiy obyazannosti zaveduyushchego - doktor med. nauk. A.P.Lazareva )  
Instituta onkologii AMN SSSR (dir. - deystvitel'nyy chlen AMN SSSR prof. A.I. Serebrov).



KEVESH, L.Ye.

Cinoradiographic examination of the laryngopharynx and the  
cervical portion of the esophagus. Vest. rent. i rad. 39  
no.5:6-11 S-0 '64. (MIRA 18:3)

1. Rentgenovskoye otdeleniye (ispolnyayushchiy obyazannosti  
zaveduyushchego - doktor med. nauk A.P. Lazareva) Instituta  
onkologii AMN SSSR, Leningrad.

KEVESH, L.Ye.

Roentgenocinematography in the diagnosis of cancer of the laryngopharynx and cervical portion of the esophagus. Vop. onk. 11 no.1:11-15 '65. (MIRA 18:6)

1. Iz rentgenologicheskogo otdeleniya (ispolnyayushchiy obyazannosti zaveduyushchego - doktor med.nauk A.P.Lazareva) Instituta onkologii AMN SSSR (dir. - deystvitel'nyy chlen AMN SSSR prof. A.I.Serebrov).

KEVENSH, I. Ye.

Clinical significance and diagnosis of abnormal position of the  
subclavian artery (arteria lusoria). Vest. rent. i rad. 40 no.3:  
36-39 My-Je '65. (MIRA 18:7)

1. Rentgenovskoye otdeleniye (ispolnyayushchiy otyazannosti  
zaveduyushchego - doktor med. nauk A.P. Lazareva) Instituta  
onkologii ANU SSSR, Leningrad.



PROCESSING AND PROPERTIES INDEX

20

Obtaining a binding material from powdered-coal ash at electrical stations. B. Z. Yudovich and P. D. Kevesh. *Prom. Svoisl. Material*, 2, No. 10-11, 11-17(1940).-- A binding material of the type of roman cement can be made by introducing chalk into the fuel fed to the furnace. This does not interfere with operation of the furnace. The optimum amount of chalk is 20%. The inconstancy of vol. of the binding material can be eliminated by hydration of the free lime by a jet of superheated steam in the gas flumes before the ash collector. The strength of the binding material obtained increases continuously for 5 months, attaining in water in 28 days a value several times greater than that required by the standard for roman cement. E. K. Stefanowsky

METALLURGICAL LITERATURE CLASSIFICATION

FROM NOMENT

SUBJECT ONE ONE 101

KEVESH, P.D., inzhener.

Investigation of the durability and water impermeability of cemented  
concrete. Trudy TSNIS MPS no.9:116-129 '53. (MLRA 8:1)  
(Concrete)

KEVECH, P. O.

Dissertation: "Investigation of Expanding Plugging Cement for Pressing in the Shaping of Subway Tunnels." Cand Tech Sci, Central Sci Res Inst of Industrial Structures, 9 Jun 54. Vechernyaya Moskva, Moscow, 31 May 54.

SO: SUM 284, 26 Nov 1954

**"APPROVED FOR RELEASE: 09/17/2001**

**CIA-RDP86-00513R000721620002-1**

**APPROVED FOR RELEASE: 09/17/2001**

**CIA-RDP86-00513R000721620002-1"**



KEVESH, F. D.

KEVESH, F.D., kandidat tekhnicheskikh nauk; GIL'DENBERG, Z.G., kandidat tekhnicheskikh nauk; KAYSER, L.A., nauchnyy redaktor; KUYBYSHEVA, G.V., redaktor; GLADKIKH, N.N., tekhnicheskiiy redaktor

[Instructions for the activation of cement in reinforced concrete plants before grinding in vibration mills (IZh 5-56)] Instruktsiia po aktivizatsii tsementa na zavodakh zhelezobetonnykh izdelii domolom v vibromel'nitsakh (IZh 5-56). Moskva, Gos.izd-vo lit-ry po stroit. materialam, 1957. 33 p. (MLRA 10:9)

1. Russia (1923- U.S.S.R.) Ministerstvo promyshlennosti stroitel'nykh materialov. Tekhnicheskoye upravleniye. 2 Vsesoyuznyy nauchno-issledovatel'skiy institut Zhelezobetona (for Kevesh). 3. Vsesoyuznyy nauchno-issledovatel'skiy institut novykh problem proizvodstva stroitel'nykh materialov na baze tonkogo izmel'chaniya (for Gil'denberg).
4. Zaveduyushchiy laboratoriy betonov Vsesoyuznogo nauchno-issledovatel'skogo instituta Zhelezobetona (for Kayser)  
(Cement)

KEVESH, P., kandidat tekhnicheskikh nauk.

"Lightweight concrete" by N.Kalnin. Reviewed by P.Kevesh, Stroi.mat.  
(MIRA 10:3)  
3 no.2:39 F '57. (Lightweight concrete)

KEVISHON, P.D., kand.tekhn.nauk; POLYAKOV, G.Ya., inzh.; FREZE, S.P.,  
inzh., red.; MAKRIDOV, Ye.V.; MODLIN, G.D., tekhn.red.

[Nonautoclaved gas concrete made with perhydrol] Bezavtoklavnyi  
gazobeton na pergidrole; opyt stroitel'stva Kuibyshevskoi GES.  
Kuibyshev, Orgenergostroil, 1958. 14 p. (MIRA 12:3)  
(Lightweight concrete) (Hydrogen peroxide)

KEVESH, P., kand.tekhn.nauk.

Using perhydrate in manufacturing lightweight concrete without  
autoclave treatment. Stroi. mat. 4 no.2:10-12 F '58. (MIRA 11:2)

(Lightweight concrete)

KUDRYASHEV, I.T., kand.tekhn.nauk. Primalni uchastiye: POPOV, N.A., prof.,  
doktor tekhn.nauk; YEROFEYEV, Ye.A., kand.tekhn.nauk; GORYAINOV,  
K.E., doktor tekhn.nauk; VOLCHEK, I.Z., kand.tekhn.nauk; KUPRIYANOV,  
V.P., kand.tekhn.nauk; YAKUB, I.A., kand.tekhn.nauk; KEVESH, P.D.,  
kand.tekhn.nauk; ERSHLER, E.Ya., inzh.. KHAVIN, B.N., red.isd-va;  
STEPANOVA, E.S., tekhn.red.; SOLNTSEVA, L.M., tekhn.red.

[Technical instructions for the manufacture of prefabricated elements  
from cellular autoclave concrete] Tekhnicheskie uslovia na izge-  
tovlenie sbornyykh izdelii iz avtoklavnykh iacheistykh betonov.  
Moskva, Gos.isd-vo lit-ry po stroit., arkhit., i stroit.materialam,  
1959. 79 p. (MIRA 12:6)

1. Akademiya stroitel'stva i arkhitektury SSSR. Institut betona i  
zhelezobetona, Perovo. 2. Nauchno-issledovatel'skiy institut betona  
i zhelezobetona Akademii stroitel'stva i arkhitektury SSSR (for  
Kudryashev). 3. Moskovskiy inzhenerno-stroitel'nyy institut imeni  
V.V.Kuybysheva, (for Popov, Yerofeyev). 4. Nauchno-issledovatel'skiy  
institut po stroitel'stvu Ministroya RSFSR (for Goryainov, Volchek,  
Kupriyanov, Yakub). 5. Nauchno-issledovatel'skiy institut zheleze-  
betona Glavmoszhelezobetona (for Kevesh, Ershler). 6. Deyatvitel'nyy  
chlen Akademii stroitel'stva i arkhitektury SSSR (for Popov).  
(Precast concrete)

KEVESH, P.D., kand.tekhn.nauk

Performance of structures built of lightweight concretes cured without  
using autoclaves. Bet. 1 zhel.-bet. no.2:89-90 F '59. (MIRA 12:3)

(Lightweight concrete)

KUDRYASHEV, I.T., kand.tekhn.nauk; KUPRIYANOV, V.P., kand.tekhn.nauk;  
KEVESH, P.D., kand.tekhn.nauk, nauchnyy red.; KADANER, N.I.,  
red.izd-va; MEDVEDEV, L.Ya., tekhn.red.; BOROVNEV, N.K.,  
tekhn.red.

[Cellular concretes; types, properties, and use] Iacheistye  
betony; vidy, svoystva i primeneniye. Moskva, Gos.izd-vo lit-ry  
po stroit., arkhit. i stroit.materialam, 1959. 181 p.  
(MIRA 13:2)

(Concrete)

KEVESH, P.D., kand.tekhn.nauk

Technology and characteristics of the autoclave-hardened aerated  
concrete made with perhydrol. Trudy NII ZHB no.8:201-209  
'59. (MIRA 13:4)

1. Nauchno-issledovatel'skiy institut zhelezobetonnykh detal'ey  
i konstruksiy.  
(Lightweight concrete)



KEVESH, P.D., kand. tekhn. nauk; ERSHLER, E.Ya., inzh.; KUPRIYANOV, V.P.,  
kand. tekhn. nauk, nauchnyy red.; TYUTYUNIK, M.S., red. izd-va;  
BOROVNEV, N.K., tekhn. red.

[Air-entrained concrete made from perhydrol]Gazobeton na pergidrole.  
Moskva, Gosstroizdat, 1961. 111 p. (MIRA 14:11)  
(Air-entrained concrete)

KEVESH, P.D., kand.tekhn.nauk; BEZRYADIN, I.F., inzh.

Production techniques and properties of foamed keramzit concrete.  
Stroi.mat. 7 no.8:39-3 of cover Ag '61. (MIRA 14:8)  
(Lightweight concrete)

BARBARINA, T.M.; BUBYR', N.F.; BUTT, L.M.; VEL'SOVSKIY, V.N.;  
GORLOV, Yu.P.; GRIBANOVSKIY, V.G.; DROZDOV, I.Ya.;  
YEREFIN, I.A.; ZEIN, V.G.; KEVESH, P.D.; KOCHAROV, E.P.;  
KOSYREVA, Z.S.; LEVIN, S.N.; MAKHNOVICH, A.T.; MERZLYAK,  
A.N.; RODOV, E.S.; ROZHNOV, A.I.; SEREBRYANSKAYA, B.I.;  
SUKHAREV, M.F.; USTENKO, A.A.; KHOMENKO, Z.S.; SHMIDT,  
L.M.; ETIN, A.O.; YAKHONTOVA, N.Ye.; KITAYTSEV, Vladimir  
Andreyevich, prof., doktor tekhn. nauk, red.; SKRAMTAYEV,  
B.G., glav. red.; TROKHIMOVSKAYA, I.P., zam. glav. red.;  
KRAVCHENKO, I.V., red.; KITAYGORODSKIY, I.I., red.;  
KRZHEMINSKIY, S.A., red.; ROKHVARGER, Ye.L., red.; BALAT'YEV, P.K.  
red.

[Manual on the manufacture of heat insulating and acous-  
tical materials] Spravochnik po proizvodstvu teploizo-  
liatsionnykh i akusticheskikh materialov. Moskva, Stroi-  
izdat, 1964. 524 p. (MIRA 18:1)

KEVESH, E. L.

Kupriianov, P. A., ed.

Roentgenologic investigation in non-penetrating wounds of the thorax.  
Moskva, Akademiia med, nauk SSSR, 1948. 197 p.

DAFM

**KEVESH, Ye. I.**

Roentgenological observations following pneumonectomy.  
Khirurgiia, Moskva no.8:55-59 Aug. 1950. (CIML 20:1)

1. Of the Second Faculty Surgical Clinic (Head -- Active Member  
of the Academy of Medical Sciences USSR, P. A. Kupriyanov,  
Lieutenant General, Medical Corps.

REVESH, YE. I.

Radiography

Bronchography in clinical surgery; result of 700 contrast investigations of the bronchial tree. Vest. Khir. 72, No. 2, 1952.

Monthly List of Russian Accessions, Library of Congress, August 1954. Unclassified.

KEVESH, Ye. L.

Remote modifications of the thoracic organs following pneumonectomy;  
roentgenologic findings. Khirurgiia, Moskva no.10:14-19 Oct 1953.  
(GIML 25:5)

1. Doctor Medical Sciences. 2. Of the Military Medical Academy imeni  
S. M. Kirov.

KEVESH, Ye. L.

USSR/Medicine - Roentgenology

Card 1/1

Authors : Kevesh, Ye. L., Libov, S. L., and Rukhimovich, L. S.

Title : The use of angiocardiology for the determination of congenital heart defects

Periodical : Vest Rentgen i Radiol 1, 33-40, 1954

Abstract : Describes the use of a specially constructed apparatus for taking angiocardigrams. Authors feel that only 5-6 angiocardigrams are necessary for the clinical determination of the type of heart defect. Use of their apparatus permits taking 6 exposures in 7-10 seconds after introduction of the contrasting fluid. Two photographs (X-rays); three drawings.

Institution : Second Faculty Surgical Clinic (Chief-Acting Member, Academy of Medical Sciences USSR, Professor P. A. Kupriyanov), Military Medical Academy imeni S. M. Kirov

Submitted : Presented at the 337th meeting of Leningrad Society of Roentgenologists and Radiologists on April 14, 1953.



KEVESH, Ye.L.; KUFUSHEV, F.Kh.

Clinical roentgenologic data on gastrointestinal changes following  
pneumonectomy. Khirurgiia no.8:15-20 Ag '54. (MLRA 7:11)

1. Iz Voenno-meditsinskoy akademii imeni S.M.Kirova.  
(LUNGS, surgery,  
pneumonectomy, postop. gastrointestinal changes)  
(GASTROINTESTINAL SYSTEM, physiology,  
eff. of pneumonectomy)

KEVESH, E. L.

Summaries of papers presented at the XXVI Congress of Surgeons of the USSR, Moscow, 20 - 27 January 1955, included:

Modern Roentgenodiagnostics of Suppurative Processes  
in the Lungs.

E. L. KEVESH

SOURCE: ~~XXXXXXXXXX~~ A-46013 (Official Publication) Unclassified.

KEVESH, Ye.L.; BURAKOVSKIY, V.I.(Leningrad)

The value of roentgenokymography of external breathing in lung patients. Klin.med. 33 no.6:63-68 Je '55.(MLRA 8:12)

1. Iz Voenno-meditsinskoy akademii imeni S.M.Kirova.  
(RESPIRATION, function tests,  
roentgenokymography, breathing function)  
(ROENTGENOGRAPHY,  
roentgenokymography in resp.func. test)  
(XYMOGRAPHY  
same)

KEVESH, Ye.L., doktor meditsinskikh nauk; LIBOV, S.L., professor.

Chronic atelectasis of inflammatory nature in the middle lobe  
of the right lung (middle lobe syndrome). Vest.khir.76 no.9:  
33-38 0 '55. (MLRA 9:1)

1. Iz 2-y fakul'tetskoy khirurgicheskoy kliniki (nach.P.A.  
Kupriyanov) Voenno-meditsinskoy ordena Lenina akademii im.  
S.M.Kirova.

(LUNGS, dis.  
middle lobe synd.,clin.aspects, diag. & ther.)

KEVESH, Ye.L., professor (Leningrad, ul. Mayakovskogo, d.11, kv.5)

Roentgen diagnosis of lung cancer; based on materials of a surgical clinic [with summary in English, p.152]. Vest.khir. 77 no.12:49-59  
D '56. (MIRA 10:2)

1. Iz khirurgicheskoy kliniki dlya usovershenstvovaniya vrachey  
(nach. - prof. P.A.Kupriyanov) Voyenno-meditsinskogo ordena Lenina  
akademii im. S.M.Kirova.

(LUNG NEOPLASMS, diag.  
x-ray diag., review)

LIBOV, S.L.; KEVESH, Ye.L.; SHIRYAYEVA, K.F.

Recognition and treatment of primary tumor of the heart. Grud.  
khir. 1 no.1:101-106 Ja-F '59. (MIRA 13:6)

1. Iz detskogo otdeleniya (zav. K.F. Shirayeva) kliniki fakul'-  
tetskoy khirurgii (zav. - prof. S.L. Libov) i kafedry rentgeno-  
logii i radiologii (zav. - prof. Ye.L. Kevesh) Knybyshevskogo  
meditsinskogo instituta.

(HEART--TUMORS)

ANICHKOV, M.N., dots.; ANTELAVA, N.V., prof.; BISENKOV, N.P., kand. med. nauk; BOGUSH, L.K., prof.; GRIGOR'YEV, M.S., prof.; DYSKIN, Ye.A., kand. med. nauk; KEVESH, ~~Ib.Lt~~, prof.; KOLESOV, A.P.; KOLESOV, V.I., prof.; KUPRIYANOV, P.A., prof.; LINBERG, B.E., prof.; MAKSIMENKOV, A.N., prof.; OSIPOV, ~~B.K.~~, prof.; SAVITSKIY, A.I., prof.; UVAROV, B.S.; UGLOV, F.G., prof.; Kholdin, S.A., prof.; PETROVSKIY, B.V., prof., otv. red.; BAKULEV, A.N., akademik, red.; GUIYAYEV, A.V., prof., red.; YEGOROV, B.G., prof., red.; PANKRAT'YEV, B.Ye., prof., red.; PYTEL', A.Ye., prof., red.; RIKHTER, G.A., prof., red.; FILATOV, A.N., prof., red.; CHAKLIN, V.D., prof., red.; RYBUSHKIN, I.N., doktor med. nauk, red.; RULEVA, M.S., tekhn. red.

[Multivolume manual on surgery] Mnogotomnoe rukovodstvo po khirurgii. Moskva, Medgiz. Vol.5. [Chest surgery; thoracic wall, pleura, and lungs] Khirurgiya grudi; grudnaia stenka, plerua i legkie. 1960. 727 p. (MIRA 15:3)

1. Chlen-korrespondent Akademii meditsinskikh nauk SSSR (for Antelava, Bogush, Maksimenkov, Savitskiy, Kholdin, **Chaklin**).
  2. Deystvitel'nyy chlen Akademii meditsinskikh nauk SSSR (for Kupriyanov, Petrovskiy, Yegorov).
- (CHEST--SURGERY)

KEVESH, Ye.L., prof. (Kuybyshev, Novo-Sadovaya ulitsa, dom 4, kv.27)

Possibilities of noncontrast X-ray examination in the diagnosis  
of congenital heart defects. Vest. rent. i rad. 37 no.5:21-27  
S-O '62. (MIRA 17:12)

1. Iz kafedry rentgenologii i radiologii (zaveduyushchiy -- prof.  
Ye.L. Kevesh) Kuybyshevskogo meditsinskogo instituta.



KEVESH, Ye.L., prof.; ZINIKHINA, Ye.A. (Kuybyshev)

X-ray diagnosis of celomic cysts of the pericardium. Klin.med.  
40 no.5:52-55 '62. (MIRA 15:8)

1. Iz kafedry rentgenologii i radiologii (zav. - prof. Ye.L.  
Kevesh) Kuybyshevskogo meditsinskogo instituta.  
(PERICARDIUM—TUMORS) (CYSTS)

KEVESH, Ye.L. (Kuybyshev, ul. Novo-Sadovaya, d.4, kv.27); GUSEVA, A.N.

X-ray observations on heart and lung changes following mitral commissurotomy. Grud. khir. 5 no.5:9-15 S-0 '63.

(MIRA 17:8)

1. Iz kafedry rentgenologii i radiologii Kuybyshevskogo meditsinskogo instituta (zav. - prof. Ye.L. Kevesh).

KEVESH, Ye.L.; KOROLYUK, I.P.

Teaching machines in roentgenology and radiology. Med. rad.  
10 no.11:79-83 N '65. (MIRA 19:1)

1. Kafedra rentgenologii i radiologii (zav. - prof. Ye.L. Kevesh)  
Kuybyshevskogo meditsinskogo instituta.

BUDNIKOV, P.P.; PANKRATOV, V.L.; KEVESH, Ye.P.

Reactivity and hydraulic activity of slag glass. Dokl. AN SSSR  
146 no.2:415-417 S '62. (MIRA 15:9)

1. Gosudarstvennyy vsesoyuznyy nauchno-issledovatel'skiy  
institut tsementnoy promyshlennosti.  
(Slag) (Glass)

KEVETON, J.

Stabilization elements for servomechanisms operating with modulated-carrier input signals. p.423

Vol. 14, No. 10, Oct. 1953. SLABORPROUDY OBZOR. Praha.

SOURCE: East European Accessions List (EAL), LC, Vol. 5, No. 3, March 1956

COUNTRY : Hungary  
CATEGORY : H-28  
ABS. JOUR. : RZKhim., No. 1959, No. 88384  
AUTHOR : Kevevari, G.  
INST. :  
TITLE : Improvement Problems in Machine-Curing of Tobacco  
ORIG. PUB. : Dohanyipar, 1958, aug.-szep., 9-14  
ABSTRACT : A paper on development history of machine curing of tobacco in Hungary, in particular at the factory in the town of Debrecen. Operating conditions of drying, cooling, and humidification chambers are described, and also the methods of control. -- A. Rozenfel'd

CARD:

Electric saliva suction apparatus. Fogorv. szemle. 43 no.7:228  
July 1950. (CML 20:1)

1. Stomatological Clinic (Director -- Dr. Pal Oravecz), Pecs University.

KEVEY, Miklos, dr.

UJ, Janos, dr.; KEVEY, Miklos, dr.

Examination of patients suspected for dental focal infection by means of determination of capillary resistance with simultaneous application of Bottyan's antigen. Fogorv. szemle 47 no.8:251-256 Aug. 54.

1. Közlemény a pécsi orvostudományi egyetem stomatológiai klinikájáról. (A Magyar Tudományos Akadémia támogatásával végzett vizsgálat).

(FOCAL INFECTION,

dent., diag., determ. of capillary resist. with simultaneous application of Bottyan's antigen)

(CAPILLARIES,

resist. in dent. focal infect., determ. with simultaneous application of Bottyan's antigen)

(TEETH, diseases,

focal infect., diag., determ. of capillary resist. with simultaneous application of Bottyan's antigen)

KEVICZKY, F.

Cable technique in the Soviet Union. p. 3 (Strojoelektrotechnicky Casopis. Bratislava. Vol. 3, no. 2, 1955)

SO: Monthly List of East European Accessions, (EEAI), LC, Vol. 4, No. 6, June 1955, Uncl.



KEVICZY, F.

Cables and conductors. p. T97.

Vol. 43, no. 10, Oct. 1954  
ELEKTROTECHNICKY OBZOR  
Praha, Czechoslovakia

Source: East European Accession List. Library of Congress  
Vol. 5, No. 8, August 1956

KEVICZKY, F.

Contribution to the discussion on realization of the results of research.

p. 175

Vol. 5, no. 4, 1955

ZA SOCIALISTICKOU VEDU A TECHNIKU

Praha, Czechoslovakia

Source: Monthly List of East European Accessions, (EEAL), LC, Vol. 5, no. 2  
February 1956, Uncl.

KEVIN, D.I.; BASIN, Ye.V.

Measuring the degree of whiteness [with summary in English].  
Inzh.-fiz.szhur. 1 no.8:108-112 Ag '58. (MIRA 11:8)

1.Gosudarstvennyy keramicheskiy institut, Leningrad.  
(Colorimetry)

KEVESHVILI, V.I.

Thickness of the sunflower stand in checkrow planting under the conditions of the Shiraki Steppe. Soob. AN Gruz. SSR 21 no.4: 463-467 0 '58. (MIRA 12:4)

1. Akademiya sel'skokhozyaystvennykh nauk GruzSSR, Kakhetinskaya opytnaya stantsiya Instituta zemledeliya. Predstavleno chlenom-korrespondentom Akademii L.L. Dekaprelevichem.  
(Shiraki Steppe--Sunflowers)

KEVKHISHVILI, V. I., Cand Agr Sci -- (diss) "Some problems in the cultivation of sun-flowers under the conditions of the Shirakskaya steppe." Tbilisi, 1960. 20 pp; (Ministry of Agriculture Georgian SSR, Georgian Order of Labor Red Banner Agricultural Inst); 100 copies; price not given; (KL, 25-60, 136)

"APPROVED FOR RELEASE: 09/17/2001

CIA-RDP86-00513R000721620002-1

*Handwritten text, possibly "DRAFT" or similar, is visible at the top of the page.*

APPROVED FOR RELEASE: 09/17/2001

CIA-RDP86-00513R000721620002-1"



KEVLISHVILI, G.Ye. (Tbilisi)

Effect of the transplantation of a bone marrow suspension on the course of acute radiation sickness. Pat. fiziol. i eksp. terap. 4 no. 6:24-28 N-D '60. (MIRA 14:2)

1. Iz patofiziologicheskoy laboratorii Nauchno-issledovatel'skogo instituta perelivaniya krovi imeni akademika G.M. Mukhadze Ministerstva zdravookhraneniya Gruzinskoy SSR.  
(RADIATION SICKNESS) (MARROW--TRANSPLANTATION)



KEVLISHVILI, G.Ye., kand. med. nauk, starshiy nauchnyy sotr.;  
ERISTAVI, K.D., red.; SARKISYAN, L.N., red. izd-va; TODUA,  
A.R., tekhn. red.

[Experimental transplantation of bone marrow in acute radiation sickness] Transplantatsia kostnogo mozga pri ostroi luchевой bolezni v eksperimente. Tbilisi, Izd-vo Akad. nauk Gruzinskoi SSR, 1961. 51 p. (MIRA 15:11)  
(RADIATION SICKNESS)  
(MARROW--TRANSPLANTATION)

KEVLISHVILI, G.Ye.

Use of bone marrow transplantation in the treatment of experimental radiation sickness. Probl.gemat.i perel.krovi no.9: 28-30 '61. (MIRA 14:9)

1. Iz nauchno-issledovatel'skogo instituta perelivaniya krovi imeni akad. Mukhadze (dir. Sh.V. Egnatashvili) Ministerstva zdravookhraneniya Gruzinskoy SSR.  
(MARROW—TRANSPLANTATION) (RADIATION SICKNESS)

KEVLISHVILI, G. Ye.; EGNAJASHVILI, G. V.; [REDACTED]

"The preservation of human bone marrow and its use in the treatment of radiation sickness."

report submitted for 10th Cong, Intl Soc of Blood Transfusion, Stockholm,  
3-8 Sep 64.

10  
Kevlishvili, G. Ye.; Gotsinidze, G. A.; Kobakhidze, I. L.

...ization of life was found ... and ... days.

000 0002, 19

ENCL: 00

TKESHELASHVILI, T.V.; KEVLISHVILI, G.Ye.; ABESADZE, A.I.

Significance of plasma substitute made from gelatin in the complex  
therapy of acute radiation sickness. Soob. AN GruzSSR 37 no.2:475-  
479 F '65. (MIRA 18:3)

KEVLISHVILI, P. V.

DUBOVIK, A. S., KEVLISHVILI, P. V., and SHIRMAN, T. L.  
Inst. Chem. Phys. AS USSR, Moscow.

"Beitrage zur Spiegelkamera,"

paper presented at 4th Intl. Congress on High Speed Photography, Cologne,  
22-27 Sep 58.

ACC NR: AP6017986

(N)

SOURCE CODE: UR/0413/66/000/010/0086/0086

INVENTOR: Bashilov, I. P.; Bulanzhe, Yu. D.; Dubovik, A. S.; Yerofeyev, V. I.; Kevlishvili, P. V.; Kobrin, L. V.; Kogan, B. Ya.; Kaz'min, A. I.; Popov, Ye. I.; Mikhaylov, N. N.; Churbakov, A. I.; Shileyko, A. V.

ORG: None

TITLE: An automatic device for determining acceleration due to gravity on a movable base. Class 42, No. 181833 [announced by the Institute of Physics of the Earth imeni O. Yu. Shmidt, AN SSSR (Institut fiziki Zemli AN OGBR)]

SOURCE: Izobreteniya, promyshlennyye obraztsy, tovarnyye znaki, no. 10, 1966, 86

TOPIC TAGS: gravity, electron optics, electronic equipment, gravimeter

ABSTRACT: This Author's Certificate introduces an automatic device for determining acceleration due to gravity on a movable base, using a strongly damped elastic gravimeter system. The installation contains a meter for acceleration due to gravity, a system of mirrors, lens, light source, two condensers and a slotted prism. Accuracy of measurement is improved, and processing of the resultant information is automated by using an electron-optical converter which changes angles of turn of a pendulum to digital code. This converter is made in the form of a code mask with lenses attached. A prism is mounted behind the lenses with metallic mirrors and photocells.

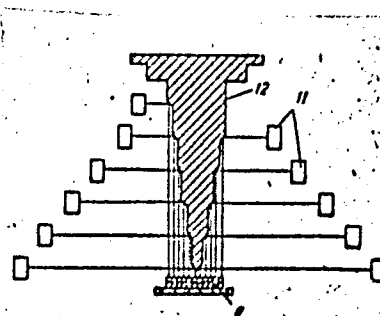
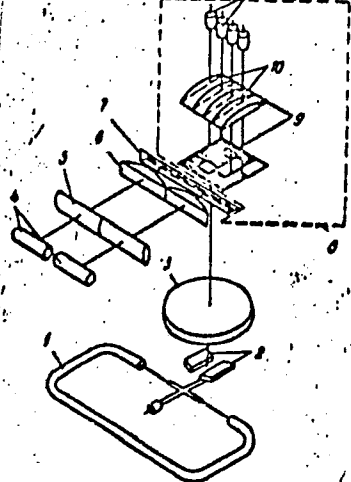
UDC: 531.768.08:528.026

Card 1/2

ACC NR: AP6017986

~~APPROVED FOR RELEASE: 09/17/2001~~

CIA-RDP86-00513R000721620002-1



1—accelerometer; 2—system of mirrors; 3—objective lens; 4—light source; 5 and 6—condensers; 7—slotted prism; 8—electron-optical converter; 9—code mask; 10—lenses; 11—photocells; 12—prism with metallic mirrors

SUB CODE: 09, 08/ SUBM DATE: 14 May 64

Card 2/2



A Time Magnifier With Multiple Reflection

SOV/77-4-1-2/22

such phenomena as detonations, spark discharges, etc., and was displayed at the Brussels World Fair of 1958. The mirror system of the camera is put into motion by an electric motor through a step-up gear and reaches 60,000 rpm. The camera is controlled fully automatically by special electronic devices (Figure 5) that control the frequency of photographing and shutter operation, emit a high-voltage pulse to initiate in a given moment the phenomenon to be studied, and stop the photographic operation upon termination. The article describes in detail the design and performance (Table 1) of the camera. There are 2 photos, 4 diagrams, 1 block diagram, and 1 table.

ASSOCIATION: Institut khimicheskoy fiziki AN SSSR (The Institute of Chemical Physics of AS USSR)

SUBMITTED: July 26, 1958

Card 2/2

KEVLISHVILI, P.V.

Use of electronic components in high-speed photography equipment.  
Usp.nauch.fot. 6:91-92 '59. (MIRA 13:6)  
(Photography, High-speed)

SHNEFMAN, G. L., DUBOVIK, A. B., KEVLESHVILI, P. V., GRANIGG, A. B. KOROLOV, I. A. <sup>4</sup>

"The High Speed No Dead-Time Framing Camera *MAB-1*"

report presented at the 6th Intl. Cong. of High-Speed Photography, The Hague,  
17-22 Sep '62

SHNIRMAN, G.L.; DUBOVIK, A.S.; KEVLISHVILI, P.V.; GRANIGG, A.B.;  
KOROLEV, I.A.

High-speed "ZhLV-1" time lapse camera. Zhur.nauch.i prikl.  
fot.i kin. 8 no.1:50-56 Ja-F '63. (MIRA 16:2)

1. Institut khimicheskoy fiziki AN SSSR.  
(Cameras) (Photography, Time lapse)

L 10176-63 EWT(1)/BDS/FED(b)-2/ES(v)-  
ASD/RADC/BSI-Pe-4-LJP(G)  
ACCESSION NR: AP3001619

S/0030/63/000/005/0073/0075  
65

AUTHOR: Shnirman, G. L.; Dubovik, A. S.; Kevlishvili, P. V.; Granig, A. B.;  
Korolev, I. A.

TITLE: New camera<sup>no</sup> for high-speed photography<sup>no</sup>

SOURCE: AN SSSR. Vestnik, no. 5, 1963, 73-75

TOPIC TAGS: high-speed photography, photographing physical phenomena

ABSTRACT: The Institut khimicheskoy fiziki Akademii nauk SSSR (Institute of Physical Chemistry, Academy of Sciences SSSR) has designed and built the ZhLV-1 camera for photographing high-speed luminescent phenomena, e.g., high-temperature plasma, combustion and explosion processes, and shock waves. The originality of the mirror-scanning system, the automation of operation, and the camera's advanced engineering characteristics make it a very powerful tool for investigation. The camera can be used for frame photography with a speed of 45,000 to 4,200,000 frames per second and as a photorecorder with slit scanning and time resolution of up to  $2 \times 10^{-8}$  sec. The frame size and image

Card 1/2

L 10176-63

ACCESSION NR: AP3001619

scale can be selected according to the experimental conditions. The focal length varies from 50 to 450 mm. Continuous photorecording is done by means of mirror scanning, which is accomplished by two plane-parallel mirrors crossed at an angle of 45° and located on one axis of rotation in two circles, one above the other. The camera is controlled remotely. The operator controls the supply voltage and the vacuum pump manually; all other operations proceed automatically. There is a system for recording the rotations of mirrors during photographing. The mirror-scanning, frame-photographing, and photorecording with slit scanning processes are shown diagrammatically. Orig. art. has: 4 figures.

ASSOCIATION: none

SUBMITTED: 00

DATE ACQ: 21Jun63

ENCL: 00

SUB CODE: 00

NO REF SOV: 000

OTHER: 000

*J. H. A.*  
Card 2/2

FUKARAK, P.; SAFAR, J.; MESTROVIC, S.; KLEPAC, D.; LNENICEK, Z.; ZMIJANAC, D.;  
SEVNIK, F.; ZAGAR, B.; MIKLAVZIC, J.; KNEZ, A.; PIPAN, R.; FUNKL, L.;  
SVETLICIC, A.; ZUMER, L.; VEVO, R.

Reviw of periodicals; silviculture. bul se Youg 9 no.4/5:144-  
145 Ag-0 '64.

K

YUGOSLAVIA / Forestry. General Problems.

Abs Jour : Ref Zhur - Biologiya, No 18, 1958, No. 82169

Author : Kero, Ratko

Inst : Not given

Title : Conservation and Treatment of Old Trees

Orig Pub : Sumarski list, 1957, 81, No 5-6, 223-230

Abstract : Various injurious, external agents are enumerated which endanger the life of trees, and methods of treatment of the damaged, unusual specimens and their preservation from injury are considered.

Card 1/1

3

KEVORKIAN APPROVED FOR RELEASE: 09/17/2001

CIA-RDP86-00513R000721620002-1"

Kevorkian, A. - Naruchnik po tekstilno materialoznanie. (Sofiya) Profizdat  
(1951) 211 p. (A manual on textile materials)

SO: Monthly List of East European Accessions, Library of Congress, Vol. 2, No. 9,  
Oct. 1953, Uncl.



KEVORKIAN, A.

Kevorkian, A. - Izkustveni tekstilni materiali; sushtnost i upotreba v proizvodstvo. (Sofiya) Nauka i izkustvo (1952) 60 p. (Synthetic textile materials; substance and use in the industry)

SO: Monthly List of East European Accessions, Library of Congress, Vol. 2, No. 9, Oct. 1953, Uncl.

KEVORKIAN, A.

Kevorkian, A. Tekstilni izchislenia i proektirane na tukani. Za III kurs na tehnikumite po tekstil. Sofiya Narodna prosveta, 1952, 162 p. (Calculation and planning of fabrics; a textbook for the 3rd course of textile schools.)

SO: MONTHLY LIST OF EAST EUROPEAN ACCESSIONS, LC, VOL. 3, NO. 1, Jan. 1954, Uncl.

NEVCHIAN, A.

Improvement of the efficiency of boilers in the  
petroleum industry. p. 438. Vol. 6, no. 9. Sept. 1955. PETROL SI GAZE.  
Bucuresti.

SOURCE: East European Accessions List (EEAL), LC, Vol. 5, No. 2. Feb. 1956.

Kevorkian, A.; Chakurov, G.

TECHNOLOGY

Vol. 7, no. 5, 1958.

Kevorkian, A. ; Chakurov, G. An important reserve for improving the quality and reducing the manufacturing cost in worsted-yarn spinning. p. 2.

Monthly Index of East European Accessions (EMAI) IC, Vol. 8, No. 1.  
Jan. 1959.

KEVORKIAN, A.

"Something new in the equipment and technology of spinning. (To be contd.)"

Leka Promishlenost. Tekstil. Sofia, Bulgaria. Vol. 7, no. 10, 1958

Monthly list of East European Accessions (EEAI), LC, Vol. 8, No. 6, Jun 59, Unclass

KEVORKIAN, A.

"Something new in the equipment and technology of spinning. II. Wool spinning."

LIKA PROMISHLENCST. TEKSTIL., Sofia, Bulgaria., Vol. 7, No. 11, 1958

Monthly list of EAST EUROPEAN ACCESSIONS (EEAI), IC, Vol. 8, No. 7, July 1959, Unclas

KEVORKIAN, A.

Some tendencies in the development of the textile industry. p. 6.

TEKSTILNA PROMISHLENOST, SOFIIA, BULGARIA, Vol. 6, no. 3, 1959

Monthly List of East European Accessions (EEAI) LC, Vol. no. 6 10, Oct. 1959, Uncl.

KEVOFKIAN, A.

Some Conclusions from the work of the Textile Research Institute in the  
People's Republic of Rumania. p. lib.

TEKSTILNA PROIZVODNOST, Sofia, Bulgaria, Vol. 8, no. 2, 1959, Oct.  
Monthly List of East European Accessions (EEA) IC, Vol. no 8 / 1959, Uncl.



KEVORKIAN, A.

Carding with flat carding machines in worsted spinning. (Conclusion) p. 11

TEKSTILNA PROMISHLENOST.(Ministerstvo na lekata promishlenost) Sofia, Bulgaria.  
Vol. 8, no. 7, 1959

Monthly List of East European Accessions (EEAI), LC, Vol. 8, no. 7, 1959 Nov.  
Uncl.

KEVORKIAN, A.

Effect of twist on the strength and abrasion resistance of synthetic yarn. Izv.vys.ucheb.zav.; tekhn.tekst.prom. no.2:9-16 '60.  
(MIRA 13:11)

1. Sofiyskiy mashinno-elektrotekhnicheskiy institut.  
(Textile fibers, Synthetic)  
(Yarn—Testing)

KEVORKIAN, A., dots. d-r inzh.; BOIADZHIEV, P., inzh., ml. nauchen  
sutrudnik

Technology of flax tow spinning by the combing method. Trud  
Inst tekstil prom 2:99-112 '62.

1. Machinery and Electrotechnical Institute. 2. Editor, "Trudove  
na Nauchnoizsledovatel'skiiia institut po tekstilna promishlenost"  
(for Kevorkian).

KEVORKIAN, Agop, dotsent; PESHEV, Khristo, inzh.; SELIMINSKI, Ivan, inzh.

For the improvement of uniformity of the long pieces in worsted spinning. Tekstilna prom 11 no.1:6-12 '62.

KEVORKIAN, Agop, dots. d-r inzh; BASHALOV, Gencho, inzh.

Peculiarities of the spinning of synthetic fibers. I. Tekstilna  
prom 11 no.3:8-11 '62.

KEVORKIAN, Agop, dots. d-r inzh.; BASHALOV, Gencho, inzh.

Some peculiarities in the spinning of synthetic fibers. II.  
Tekstilna prom 11 no.4:6-8 '62.

KEVORKIAN, Agop, dots., d-r inzh.

Determination of internal tension in fibers by measuring the torque release of a loaded thread. Tekstilna prom 11 no.5:8-13 '62.

TSOCHEV, Minko; CHAUSHEVA, Elka; SPIROV, Blagoi; KEVORKIAN, Agop, inzh.;  
RASHEEV, Velcho, inzh.

Studies on the setting up of correlation between separate  
branches of textile industries up to 1890. Tekstilna prom 11  
no.6:22 '62.



KEVORKIAN, Agop, dots. d.r; RASHEEV, Velcho, inz.

Correlation between the breaking strength and resistance to  
rupture in fabrics. Tekstilna prom 11 no.6875-26 '62.

KEVORKIAN, A., d-r inzh., dots.; PEEV, P., inzh.; TRIFONOVA, M.,  
inzh., tekh. nauch. sutrudnik

Studies on the unevenness of worsted semi-finished material.  
Trud Inst tekstil prom 4:3-26 '63.

1. Machinery and Electrotechnical Institute. Member of the Board of Editors, "Trudove na Nauchnoizsledovatel'skii institut po tekstilna promishlenost" (for Kevorkian).
2. Director, Scientific Research Institute of the Textile Industry (for Peev).

KEVORKIAN, A., d-r inzh., dots.; RASHEEV, V., inzh., nauchen  
sotrudnik

Correlation between the breaking strength and the abrasion  
resistance in fabric. Trud Inst tekstil prom 4:27-37 '63.

1. Editors, "Trudove na Nauchnoizsledovatel'skii institut po  
tekstilna promishlenost".

TSOCHEV, Minko; CHAUSHEVA, Elka; SPIROV, Blagoi; KEVORKIAN, Agop,  
inzh.; RASHEEV, Velcho, inzh.

Studies for determining correlation in the development of  
basic branches in textile industry. Trud Inst tekstil prom  
4:191-205 '63.

KEVORKIAN, Agol, dots. d-r inzh.; SHTEREV, Vichko, inzh.

Influence of the direction and number of throwing twists on  
some basic properties of worsted yarns. Tekstilna prom 12  
no. 6:8-13 '63.

KEVORKIAN, Agop, dots. d-r inzh.; MARINOV, Mikhail, inzh.

Differentiated doffing of the band of drawing machines. Tekstilna  
prom 12 no.4:7-11 '63.

KEVORKIAN, Agop, dotsent d-r inzh.; KARADACHKI, Ivan, inzh.

Influence of the clamp spacing in determining the strength and  
unevenness of yarns. Tekstilna prom 12 no.3:24-29 '63.

KEVORKIAN, Agop, prof. d-r inzh.

Training of technical staff for textile industry in Bulgaria.  
Tekstilna prom 13 no. 4:13-15 '64.



KEVORKIAN, A., prof. dr. inzh.; PESHEV, Khr., inzh.; GEORGIEV, Iv., inzh.;  
KARAMSHEVA, M., inzh.

Use of synthetic fibers in flax spinning. Tekstilna prom 13 no.5:  
7-11 '64.

KEVORKIAN, A., prof.; DAMIANOV, G., dotsent; NIKOLOV, I., inzh.; ATANASOV, Iv.,  
inzh.; CHESHMEDZHIEV, M., inzh.; PESHEV, Khr., inzh.; CHERVENDINEV, At.,  
inzh.; PANOV, Al., inzh.

Introduction of the tex system in the textile industry in Bulgaria.  
Pt.1. Tekstilna prom 14 no.1:16-21 '65.

1. Chair of Textile Technology of the Machinery and Electrotechnical  
Institute, Sofia.

K. KEVORKIAN

"Soviet progressive theories on the etiology of caries. p. 153. STOMATOLOGIA,  
No. 3, 1952, Sofiya, Bulgaria)

SC: Monthly List of East European Accessions, Vol. 2 No. 7, July 1953, Uncl.

KEVORKIAN, K., asistent

Preparation of instruments for aseptic therapy in dentistry.

Stomatologia, Sofia no.5:274-279 1953.

(ANTISEPSIS AND ASINPSIS,  
dent.)

(DENTISTRY, OPERATIVE,  
antiseptis in)