

OYKS, G.N., doktor tekhn. nauk; BORODIN, D.I.; TSYKIN, L.V.; ~~KAPISTIN, I.V.~~;
SOROKIN, A.A.; KUTSENKO, A.D.; ZAGREBA, A.V.; TRUSEYEV, A.A.;
REKHLIS, G.N.

Effect of the condition of the slag on the intensity of ejections
during the Bessemer production of steel. Met. i gornorud. prom.
no.1:24-28 Ja-F '65. (MIRA 18:3)

KAPUSTIN, I.Ya., starshiy inzh.

Mechanized deposition of sand in the area of circulation loss.
Neftianik 5 no.2:19-20 F '60. (MIRA 14:10)

1. Tsentral'naya nauchno-issledovatel'skaya laboratoriya Stalingradskogo
sovnarkhoza. (Oil well drilling fluids)

KAPUSTIN, I.Ya.

Exclusion of absorption zones in structural drilling. Razved. i
okh. nedr 26 no.10:45-46 0 '60. (MIRA 13:11)

1. Stalingradskiy nauchno-issledovatel'skiy institut nefi i gaza.
(Drilling fluids)

KAPUSTIN, I.Ya.

Mixtures with high plugging properties. Neft. khoz. no.4:29-33
Ap '61. (MIRA 14:6)
(Oil well drilling fluids)

KAPUSTIN, I.Ya.

Eliminating absorption zones in gassers. Neft. khoz. 39 no.9:60-61
S '61. (MIRA 15:1)

(Volgograd Province--Drilling fluids)

KAPUSTIN, I.Ya.

New method for controlling circulation losses. Neft. khoz.
40 no.4:66-67 Ap '62. (MIRA 15:5)
(Oil well drilling fluids)

KAPUSTIN, I., *sa.*

Using solar-bentonite mixture for controlling outcrops. Azerb.
neft. khoz. 41 no.6:17-19 Je '62. (MIRA 16:1)
(Volgograd Province--Oil well drilling fluids)

KAPUSTIN, I.Ya.

Determining the efficiency of setting accelerators for cement
slurry. Neft. khoz. 42 no. 5:26-29 My '64. (MIRA 17:5)

KAPUSTIN, I.Ya.

Method for the simultaneous exclusion of two drilling-fluid
circulation-loss zones. Burenie no.9:14-16 '64.

1. Trest "Volgogradneftegazrazvedka".

(MIRA 18:5)

KAPUSTIN, I.Ya.

Method of liquidating absorption zones in small diameter
boreholes. Razved. i okh. nedr 30 no.2:49-50 P '64.

(MIRA 17:8)

1. Volgogradskiy neftyanoy nauchno-issledovatel'skiy institut.

KAPUSTIN, I.Ya.; ZINOV'YEV, I.I.

Improving the technology of cementing circulation-loss zones.
Burenie no.2:25-26 '65.
(MIRA 18:5)

1. Trest "Volgogradneftegazrazvedka".

KAPUSTIN, I.Ya.

Characterizing the cementing properties of water-cement mixtures
instead of evaluating them for hardening time. Neft. i. gaz. prom.
no. 3:35-37 J1-S '64. (MIRA 17:12)

KISELEV, Ya.; KAPUSTIN, K. (Chelyabinsk); SHITS, O., tekhnolog (Komi ASSR);
RADZHABLI, A. (Kirovabad)

Letters to the editor. Obshchestv. pit. no.6:40-41 Je '62.

(Restaurants, lunchrooms, etc.) (MIRA 15:9)

FOMINA, K., master-povar (Novokuybyshevsk, Kuybyshevskaya obl.); KAPUSTIN, K.;
LEL'CHUK, A., inzh.-tëkhnolog

The role of the foreman in production. Obshchestv.pit. no.10:13-15
0 '62. (MIRA 15:11)

1. Obshchestvennyy kontroler upravleniya trgovli, Chelyabinsk
(for Kapustin). 2. Trest obshchestvennogo pitaniya, Dushanbe
(for Lel'chuk).

(Restaurant management)

KAPUSTIN, K., inzh.

Floating derrick searches for oil. Tekh.mol. 28 no.9:26 '60.

(MIRA 13:10)

(Oil well drilling, Submarine)
(Cranes, derricks, etc.)

KOVALEV, N. (Leningrad); KAPUSTIN, K. (Chelyabinsk); SLUTSKIY, R. (Makhachkala)

From the cook's notebook. Obshchestv.pit. no.1:24 Ja '63.

(Cookery)

(MIRA 16:4)

KAPUSTIN, K.Ya., inzh.

Floating pontoon-foundation for offshore drilling.
Sudostroenie 26 no. 3 (2001) 7:11, Mr '60. (MIRA 14:11)
(Oil well drilling rigs)

1 56436477 27(1) W
AUGUST 1986

AUTHOR: Agaguseynov, Yu. A.-ogly; Zhornitskiy, I. D.; Kapustin, N. Yari
Artyev, I. F.; Guly, I. Artyev, B. A.

TITLE: An installation for drilling oil wells at sea. Class. Sec. 1.1

SOURCE: Aviatsionno-kosmicheskaya tekhnika i tovarnykh znakov, No. 1, 1986, p. 11

1. Oil well drilling, floating oil well, sea, rig, platform

ABSTRACT: This Author's Certificate introduces: 1. An installation for

drilling oil wells at sea. The installation is designed for

drilling oil wells during swells and is mounted

the well axis. The hull of the ship is equipped with a horizontal platform with
the shaft, and a tension device. These units are displaced in the hull
toward the midship section. 2. A modification of this installation in which the
maximum tension is maintained on the anchor chains by making the tension device in the
form of double action hydraulic cylinders.

Card 1/3

L 56496-65

ACCESSION NR: AP5017795

ASSOCIATION: none

SUBMITTED: 09 May 63

ENCL: 01

SUB CODE: 11

NUMBER OF PAGES: 000

OTHER: 000

Card 2/3

L 56496-65

ACCESSION NR: AP5017795

ENCLOSURE: 01

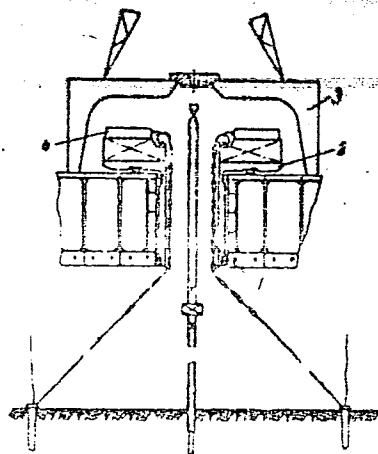


Fig. 1. 1--shaft; 2--rotating element
3--gantry which carries the
4--tension device

gah
Card 3/3

KAFUSTIN, K. Y. E.

"Advanced Methods of Masonry Work in Roofs of Open-Hearth Furnaces."

SO: Hutník (Metallurgical Worker), Czechoslovakia, Vol. 4, Nov. 1, Jan. 1954. (Air, AA, London, IR*~~88~~5-54, 12 Apr 54 (unclassified))

DENISENKO, Ivan Markovich; KAPUSTIN, Kirill Yermeyevich; MAKSIMOV, Pavel Georgiyevich; SEREBRENNIKOV, S.S., ~~PEREKUP~~; NEPOMNYASHCHIY, N.V., redaktor izdatel'stva; ATTOPOVICH, M.K., tekhnicheskiy redaktor

[Organization of repairs of open-hearth furnaces] Organizatsiia proizvodstva remontov martenovskikh pechei. Moskva, Gos. nauchno-tekhn. izd-vo lit-ry po chernoi i tsvetnoi metallurgii, 1956. 446 p.
(Open-hearth furnaces) (MLRA 9:7)

R. D. ...

... Description of Work During Period of O.R. ...

KAPUSTIN, L.

Shortwave transmitter-receiver set for beginning radio amateurs.
V pom. radioliub. no. 11:3-31 '61. (MIRA 15:6)
(Radio, Shortwave) (Amateur radio stations) (Radio operators)

KURCHASHOVA, V.A.; KAPUSTIN, L.D.

Results of experimental operation of multiple-unit electric train with a regenerative rheostatic braking system. Zhel. dor.transp. 41 no.7:63-68 J1 '59. (MIRA 12:12)

1. Nachal'nik tekhnicheskogo otdela depo Pererva Moskovsko-Kursko-Donbasskoy dorogi (for Kurchashova). 2. Starshiy inzhener tekhnicheskogo podvizhnogo sostava Moskovskogo elektromekhanicheskogo zavoda "Dinamo" im. S.M.Kirova (for Kapustin).
(Electric railroads--Braking)

KAFUSTIN, Leonid Davydovich, inzh.; ZALESSKIY, Lev Grigor'yevich, inzh.;
GLUSHKOV, Mikhail Tikhonovich, inzh.; SHIRYAYEV, A.P., red.;
MEDVEDEVA, M.A., tekhn.red.

[ER electric train with regenerative rheostatic braking] Elektro-
poezd ER s rekuperativno-reostatnym tormozheniem. Moskva, Vses.
izdatel'sko-poligr.ob'edinenie M-va putei soobshchenia, 1960.
90 p. (MIRA 14:1)

(Electric railroads--Brakes)

RUBCHINSKIY, Z.M., kand.tekhn.nauk; KAPUSTIN, L.D., inzh.

EB6 electric train with regenerative rheostat-controlled braking. Elek.i tepl.tiaga. 4 no.6:29-34 Je '60.(MIRA 13:8)
(Riga--Electric railroads--Trains)

KAPUSTIN, L.D., inzh.

Continuous checking of the insulation of control networks of electric
trains. Elek. i tepl. tiaga 4 no.10:15-17 0 '60. (MIRA 13:10)
(Electric railroads)
(Electric insulators and insulation--Testing)

KAPUSTIN, Leonid Davydyovich; ZUBLEVSKIY, S.M., inzh., red.;
VOROB'YEVA, L.V., tekhn. red.

[Apparatus for the automatic control and protection of the rolling stock of multiple-unit trains] Apparatura avtomatizatsii upravleniia i zashchity motorvagonnogo podvizhnogo sostava. Moskva, Transzheldorizdat, 1962. 77 p. (MIRA 15:6)
(Electric railroads--Rolling stock) (Automatic control)

TRAKHTMAN, I.M.; IOFFE, A.B.; CHERNYI, M.I.; KUZNETSOV, S.M.; SOLOV'YEV, N.
P.; DOROGUSH, G.I.; KAPUSTIN, L.D.; VINBERG, B.G.; RUBCHINSKIY, Z.
M.; PETRO, G.A.; ZAGORDAN, N.M.; BRAVIN, V.F.

Multiple-unit rail car with regenerative braking. Prom. energ. 15
no.11:18-19 N '60. (MIRA 14:9)
(Railroad motorcars) (Electric railway motors)

KAPUSTIN, L.D., inzh.

Efficiency of regeneration braking on electric suburban
trains. Zhel. dor. transp. 45 no.11:22-25 N '63. (MIRA 16:12)

BARSKIY, Moisey Rafailovich, kand. tekhn.nauk; GLUSHKOV,
Mikhail Tikhonovich, inzh.; GONCHAROV, Konstantin
Borisovich, inzh.; ZALESSKIY, Lev Grigor'yevich,
inzh.; LALETIN, Geryat Pavlovich, inzh.; LYNKYUK,
Leonid Savvovich, inzh.; KAPUSTIN, L.D., red.

[The ER9 electric train] Elektropoezd ER9. [By] M.R.
Barskii i dr. Moskva, 1964. 239 p. (MIRA 18:1)

ARTEM'YEV, V.M., inzh.; KAPUSTIN, L.D., inzh.; KUKSIN, I.I., inzh.;
ROTNITSKIY, M.L., inzh.

Unit for producing bloated perlite at a rate of 20,000 cubic
meters per year. Stroi. mat. 11 no.1:27-28 Ja '65.

(MIRA 18:6)

KAPUSTIN, L.D.

Continuous insulation control for regulating circuits of electric sections. Elek.i tepl.tiaga 3 no.5:12-13 My '59.
(MIRA 12:9)

1. Starshiy inzhener byuro podvizhnogo sostava zavoda "Dinamo".
(Electric railroads--Wires and wiring)
(Electric insulators and insulation)

KAPUSTIN, L.

New trends in the mechanization and automation of the leather industry in the Soviet Union. Tr. from the Russian. p. 46.

BOR-ES CIPOTECHNIKA. (Boripari Tudományos Egyesület mint a Magyar Tudományos Egyesületek Szövetsége Társasága) Budapest, Hungary, Vol. 9, No. 2, April 1959.

Monthly list of East European Accessions (EEAI) LC, Vol. 8, No. 7, July 1959.

Uncla.

KAPUSTIN, M.D., inzhener.

Vertical head for horizontal milling machine for cutting keyways.
Torf.prom.34 no.1:37 '57. (MLRA 10:2)

1. Gor'kovskiy torfotrest.
(Metalworking machinery)

KAPUSTIN, M. I.

Vibratory compaction of asphalt concrete. Avt.dor. 27 no.12:12-13
D '64. (MIRA 18:2)

KHARKHUTA, N.Ya.; IYEVLEV, V.M.; KAPUSTIN, M.I.

Frequencies of intensive thixotropic transformations of soils
subjected to vibration. Trudy IPI no.236:99-102 '64.

(MIRA 18:3)

KAPUSTIN, M.I.; SEMENOV, V.P.

Kinematics of a roller multifrequency vibrator. Trudy LPI no.254:
54-58 '65. (MIRA 19:1)

KAPUSTIN, M.P.

Treatment of uterine ruptures. Akush. i gin. no.6:63-64 N-D '55

(MLRA 9:6)

1. Iz khirurgicheskogo otdeleniya (zav. M.P. Kapustin, glavnyy vrach S.A. Nel'ga) bol'nitsy stroitel'stva Cherepetskoy GRES Tul'skoy oblasti.

(UTERUS, rupt.
ther.)

KAPUSTIN, M.P.

Twisted dermoid cyst of the right ovary simulating acute suppurative
appendicitis in an 8-month pregnancy. Akush. i gin. 34 no.3:107-108
My-Je '58. (MIRA 11:6)

1. Iz khirurgicheskogo otseleniya (zav. M.P.Kapustin) Khaninskoy
rayonnoy bol'nitsy (glavnyy vrach Ye.D.Yermolova) Tul'skoy oblasti.

(PREGNANCY, compl.

teratoma of right ovary simulating acute suppurative
appendicitis, surg.(Rus))

(APPENDICITIS, differ. diag.

teratoma of right ovary in pregn., surg. (Rus))

(OVARIES, neoplasms

teratoma of right ovary simulating acute suppurative
appendicitis in pregn., surg. (Rus))

(TERATOMA, case reports

right ovary simulating acute suppurative appendicitis
in pregn., surg. (Rus))

KAPUSTIN, N. D.

Kapustin, N. D. - "The reconditioning of basic parts for tractors - an important problem of repair establishments and MTS," Sel. khoz-vo Tadzhikistana, 1948, No. 6, p. 27-31

SO: U-3600, 10 July 53 (Letopis 'Zhurnal 'nykh Statey, No. 6, 1949).

STOYLOV, B.A., POSTNOV, S.D., BOGOSLOVSKIY, I.S., MORGUNOV, G.M., ROGALEV, I.S.,
MICHKOV, V.A., SIDOROV, I.N., ZUBRILOV, L.YE., KAPUSTIN, N.G., DOVBA, A.S.

Shevyakov, Lev Dmitriyevich, 1889-

Concerning the review by Prof. D.A. Strel'nikov, Docents B.S. Lokshin, Ya.Ye.
Nekrasovskiy, and Eng. V.A. Florev on Acad. L.D. Shevyakov's book "Fundamental
theory of planning coal mines". Ugletkhizdat, 1950 (Ugol' no.3, 1952) Ugol' 27 no.7,
1952.

Monthly List of Russian Accessions. Library of Congress, October 1952. UNCLASSIFIED

KAPUSTIN N.G. dotsent, kandidat tekhnicheskikh nauk.

Best drainage systems for open pits. Ger.zhur. no.6:27-30 Je '57.
(MLRA 10:8)

1. Tomskiy politekhnicheskii institut.
(Strip mining) (Mine drainage)

~~KAPUSTIN, N.G.~~, dotsent, kandidat tekhnicheskikh nauk.

"Problems in opening up and developing Karaganda Basin mine fields"
by S.Kvon. Reviewed by N.G.Kapustin. Ugol' 32 no.1:46-48 Ja '57.
(MLBA 10:2)

1. Tomskiy politekhnicheskii institut.
(Karaganda Basin--Coal mines and mining) (Kvon, S.)

KAPUSTIN, N. G.
VERDENSKIY, N.; ~~KAPUSTIN, N.G.~~, dotsent, kandidat tekhnicheskikh nauk;
SURDUTOVICH, I.N.; IGNAT'YEV, A.D., kandidat tekhnicheskikh nauk.

New mining systems. Ugol' 32 no.5:6-12 My '57. (MLRA 10:5)

1. Tomskiy politekhnicheskikh institut (for Kapustin). 2. Dneprogiproshakht (for Surdutovich). 3. Vostochnyy uglekhimicheskiy institut (for Ignat'yev).
(Coal mines and mining)

KAPUSTIN, N.G., dotsent

Best kind of mine in relation to the effectiveness of capital investments. Izv.vys.uceb.sav.; gor.zhur. no.3:63-69 '58.
(MIRA 12:8)

1. Tomskiy politekhnicheskii institut.
(Mining industry and finance)

KAPUSTIN, N.G., dots., kand.tekhn.nauk

Development of contiguous seams. Ugol' 33 no.5:24-29 My '58.
(MIRA 11:5)

(Coal mines and mining)

KAPUSTIN, N.G.

Basis for planning the productive capacity of a mine in coal
deposits of unlimited supply. Isv.TPI 93:25-43 '58.
(MIRA 13:5)

(Coal mines and mining)

KAPUSTIN, N. G. Doc Tech Sci -- (diss) "Rated capacity of coal mines."
Tomsk, 1959. 52 pp with drawings (Min of Higher Education. Tomsk Order of
Labor Red Banner Polytechnic Inst im S. M. Kirov), 150 copies. Bibliography:
pp 47-48.(32 titles) (KL, 44-59, 126)

KAPUSTIN, N.G.

System for calculating a basis for planning the size of open
pits. Izv.Sib.otd. AN SSSR no.1:13-23 '59. (MIRA 12:4)

1. Tomskiy politekhnicheskiy institut.
(Strip mining)

KAPUSTIN, N.G., dotsent

Optimum extent of the mine area in relation to the transportation of men in the mine. Izv. vys. ucheb. zav.; gor. zhur. no.9:27-31 '59. (MIRA 14:6)

1. Tomskiy ordena Trudovogo Krasnogo Znameni politekhnicheskiiy institut imeni S. M. Kirova. Rekomendovana kafedroy razrabotki plastovykh mestorozhdeniy. (Mine haulage)

KAPUSTIN, N.G., dotsent

Reducing the time of miner transportation in mines. Izv. vys.
ucheb. zav.; gor. zhur. no.10:9-12 '60. (MIRA 13:11)

1. Tomskiy ordena Trudovogo Krasnogo Znameni politekhnicheskoy
institut imeni S.M.Kirova. Rekomendovana kafedroy razrabotki
plastovykh mestorozhdeniy Tomskogo politekhnicheskogo instituta.
(Coal mines and mining)

KAPUSTIN, N.G.

Planning the technique and technology of open-pit mining. Izv.
Sib.otd.AN SSSR no.12:24-29 '61. (MIRA 15:3)

1. Tomskiy politekhnicheskii institut.
(Mining engineering--Costs)

KAPUSTIN, N.G.

Basic economic criteria for determining the size of the cutter-loader
and the length of the longwall. Izv.Sib.otd.AN SSSR no.1:16-24 '61.
(MIRA 14:2)

1. Tomskiy politekhnicheskii institut.
(Coal mines and mining)

KAPUSTIN, N.G.

Optimal simultaneity coefficient in working coal formations. Izv.
Sib.otd.An SSSR no.2:25-32 '61. (MIRA 14:3)

1. Tomskiy politekhnicheskiy institut.
(Coal mines and mining)

KAPUSTIN, N.G., dotsent

Effectiveness of capital investments as a criterion for evaluating the method used in working levels. Izv. vys. ucheb. zav.; gor. zhur. no. 4:23-28 '61. (MIRA 14:6)

1. Tomskiy ordena Trudovogo Krasnogo Znameni politekhnicheskoy institut imeni S.M.Kirova. Rekomendovana kafedroy razrabotki plastovykh mestorozhdeniy Tomskogo politekhnicheskogo instituta. (Mining engineering) (Mining industry and finance)

KAPUSTIN, N.G., dotsent

Outline of an economic basis for the planned capacity of a pit.
Izv.vys.ucheb.zav.; gor.zhur. 5 no.2:102-109 '62. (MIRA 15:4)

1. Tomskiy ordena Trudovogo Krasnogo Znameni politekhnicheskiiy
institut imeni S.M.Kirova. Rekomendovana kafedroy razrabotki
plastovoykh mestorozhdeniy.

(Strip mining--Costs)

KAPUSTIN, N.G., dotsent

New method of determining from a jet the most advantageous area of the transverse section of workings in the deepest depression of the mine. Ugol' 38 no.9:45-48 S '63.

(MIRA 16:11)

1. Glavnyy spetsialist po proyektirovaniyu shakht Gosudarstvennogo komiteta po toplivnoy promyshlennosti pri Gosplane SSSR.

KAPUSTIN, Nikolay Georgiyevich; KVON, Sergey Syn-Guvich; BERLIN, A.Ye., inzh., retsenzent; KOVSH, B.I., inzh., retsenzent; BRODSKIY, I.A., inzh, retsenzent; CHECHKOV, L.V., ved. red.; BIRYUKOV, R.A., prof., otv. red.

[Principles of designing coal mines] Osnovy proektirovaniia ugol'nykh shakht. Moskva, Nedra, 1964. 267 p.
(MIRA 18:2)

1. Vsesoyuznyy tsentral'nyy gosudarstvennyy institut po proyektirovaniyu i tekhniko-ekonomicheskim obosnovaniyam razvitiya ugol'noy promyshlennosti (for Berlin, Kovsh, Brodskiy).

KAPUSTIN, N. I. Cand Tech Sci -- (diss) "Study of the
Relationship Between the Accuracy of Gear Cutting and the
Rigidity of the Machine Tool ^{determined} ~~as Determined~~ by the Static and
Production Methods." Len, 1957. 13 pp ~~22~~ 20 cm. (Min of Higher
Education USSR, Len ~~XXXXXXXXXX~~ Polytechnic Inst im M. I. Kalinin),
100 copies (KL, 25-57, 113)

KAPUSTIN, N.I.

Precision adjustment of a machine tool for gear milling. Trudy LTI
no.50:113-116 '59. (MIRA 14:3)
(Milling machines)

KAPUSTIN, N.I.; LIBEDINSKIY, V.K.

Studying the precision in the machining of the bicycle valve
cone under the conditions of automatic production. Trudy NPI
no.59:142-147 '61. (MIRA 17:9)

BELYAYEV, B.P.; KAPUSTIN, N.I.

Experiment in operating a public designing office. Ogneupory 30
no.3:41-42 '65. (MIRA 18:5)

1. Borovickiyskiy kombinat ogneuporov.

KAPUSTIN, N. M.

Kapustin, N. M. - "Calorimetric method of determining the workability of metals,"
Trudy Studench. nauch.-tekhn. o-va (Moscow technical college im. Bauman), 1, 1948,
p. 65-78

SO: U-4355, 14 August 53, (Letopis 'Zhurnal 'nykh Statey, No. 15, 1949)

KAPUSTIN, N. M.

KAPUSTIN, N. M. - "Investigating the error in machining steel parts by external centerless grinding using continuous feed". Moscow, 1955. Min Higher Education USSR. Moscow Order of Lenin and Order of Labor Red Banner Higher Technical School imeni Bauman. (Dissertation for the Degree of Candidate of Technical Sciences).

SO: Knizhnaya Letopis' No. 46, 12 November 1955. Moscow

KAPUSTIN, N.M., assistant.

Machining defects caused by the position of the intermediate product in centerless grinding using the transverse feeding method. [Trudy] MVTU no.44:81-91 '55. (MLRA 9:6)
(Machine-shop practice) (Grinding and polishing)

KAPUSTIN, N.M.
p. 2

PHASE I BOOK EXPLOITATION

SOV/3749

Moscow. Vysshye tekhnicheskoye uchilishche imeni Baumana

Voprosy tochnosti v mashinostroyeni; [sbornik] Problems of Accuracy in Machine Building; Collection of Articles) Moscow Mashgiz, 1960. 159 p. Errata slip inserted. 5,000 copies printed.

Ed.: V.M. Kovan, Doctor of Technical Sciences, Professor; Ed. of Publishing House: G.I. Baydakov; Tech. Ed.: A.Ya. Tikhonov; Managing Ed. for Literature on Metalworking and Tool Making (Mashgiz): V.V. Rzhavinskiy, Engineer.

PURPOSE: This book is intended for the technical personnel of machine-building plants. It may also be useful to process engineers and scientific workers doing research on the accuracy of machined parts

COVERAGE: In this collection of articles faculty members of the Moscow Higher Technical School imeni Bauman (MVTU) discuss methods of calculating errors connected with setting up workpieces in machine tools. The extent of errors in fastening blanks in three-jaw self-centering chucks is also reviewed. Methods of

Card 1/3

Problems of Accuracy in Machine Building (Cont.)

SOV/3749

calculating probable inaccuracies in machined parts and magnitude of errors in centerless grinding are discussed. The effect of nonstability of cutting forces on the accuracy of machining, and factors affecting the accuracy of conjugation of precision plunger pairs are discussed. No personalities are mentioned. References follow some of the articles.

TABLE OF CONTENTS:

Kalinin M.A. [Candidate of Technical Sciences]. Determination of Errors in Holding Work in a Three-jaw Self-Centering Chuck	5
Kayustin, N.M. [Candidate of Technical Sciences]. Machining Accuracy in Centerless Grinding	17
Korsakov, V.S. [Doctor of Technical Sciences]. Effect of the Instability of Cutting Forces on the Accuracy of Machining	44
Metelkin, A.F. [Candidate of Technical Sciences]. Investigation of Factors Affecting the Accuracy of Conjugate Precision Plunger [-Cylinder] Pairs	85

Card 2/3

ACCESSION NR: ARH007525

S/0276/61/000/000000

AUTHOR: Kapustin, N. M.; Sukhev, M. P.

TITLE: Application of adhesives in the fabrication of industrial equipment

CITED SOURCE: Sb. tr. Mosk. vyssh. tekhn. uch-shche im. M. F. Bazhenova, v. 3, 1968, 16-58

ABSTRACT: Investigation of the application of adhesives in the fabrication of industrial equipment, including machine tool industry, epoxy resin, epoxy resin ED-6

TRANSLATION: An investigation of an industrial process for the application of adhesives to attach steel and cast iron parts in the fabrication of industrial equipment, including machine tool equipment, is described. Synthetic adhesives based on liquid epoxy resin ED-6 and ED-6 were used. The investigation made it possible

Card 1/2

IVANOV, Yu.M.; YARKHO, Ye.A., inzh., retsenzent; KAPUSTIN,
N.M., kand. tekhn. nauk, red.

[Plastic technological equipment for machine tools]
Plastmassovaya tekhnologicheskaya osnastka k stankam. Mo-
skva, Mashinostroenie, 1964. 157 p. (MIRA 18:3)

L 22578-65 EWT(m)/EWP(w)/EPF(c)/EWA(d)/EWP(v)/EPR/EWP(s)/T/EWP(r)/EWP(b)
EWP(b) Pc-4/Pf-4/Pr-4/Ps-4 JD/HW/HF/RM

ACGLSSICH NR: APS002246

S/0122/64/000/012/000

AUTHORS: Kapustin, N. M. (Candidate of technical sciences, Docent); Sukhov, M. F.
(Engineer)

TITLE: Effects of creep in glued joints on the initial clamping force

SOURCE: Vestnik mashinostroyeniya, no. 12, 1964, 30-33

TOPIC TAGS: creep characteristic, joint / ST 3 steel, EP5 100 resin

ABSTRACT: The effects of creep in the cemented joint of a stud on the
on the Enclosures on the initial clamping force are investigated.

Card 1/5

1 22578-1A

ACCESSION NR: AP5002248

stress or the clamping force, the apparatus shown in Fig. 2 on the front cover of the report was used. The clamping force was measured by the deflection of the nut was transmitted through the proving ring (2) and measured by the strain gauges.

tensile force F is applied to the stud during operation, the following equation for the clamping force was derived, based on the experimental data for the given joint geometry:

$$F_c = \frac{K E_s A_s F}{E_c A_c + K E_s A_s}$$

(where $\nu = 0.3$, K = joint geometry coefficient = 0.75-1.0; E_s, E_c = moduli of elasticity of the stud and clamped material; A_s, A_c = areas of the stud and clamped material, respectively; F = tensile force applied to the stud, and F_c is clamping force).

Card 2/5

1 2 3 4 5

ACCESSION NR: AF5002248

ASSOCIATION: MTU (MVTU)

SUBMITTED: 00

ENCL: 02

SUB CODE: 10

NO REF SER: 00

OTHER: 000

Card 3/5

L 22578-65

ACCESSION NR: AP5002248

ENCLOSURE: 01

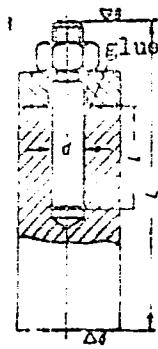


Fig. 1. Stud and clamped part geometry

Card 4/5

L 22578-65

ACCESSION NR: AP5002248

ENCLOSURE: 02

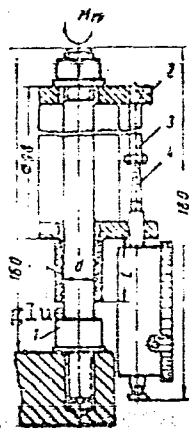


Fig. 2. Nomenclature in text

Card 5/5

L 02203-67 EWT(d)/EWT(m)/EWP(f)/EWP(c)/EWP(v)/EWP(i)/T/EWP(k)/EWP(h)/EWP(l)

ACC NR: AR6029640
IJP(c) RM

SOURCE CODE: UR/0282/66/000/006/0090/0090

AUTHOR: Kapustin, N. M.; Mel'nikov, G. N.

38
B

TITLE: Investigation and development of technology for the production of plastic-coated dies

SOURCE: Ref. zh. Khimicheskoye i kholodil'noye mashinostroyeniye, Abs. 6.47.590

REF SOURCE: Sb. tr. Mosk. vyssh. tekhn. uch-shcha im. N. E. Baumana, v. 5, 1965, 98-109

TOPIC TAGS: die, plastic coating, plastic coated die, cast iron die

ABSTRACT: The ¹⁴production technology of ¹⁵plastic-coated ¹⁴cast-iron dies is discussed. Recommendations are given for the selection of plastics. A theoretical estimate of the shrinkage of a coating on a cast iron die is also given. Orig. art. has: 8 figures and a bibliography of 2 reference items. [Translation of abstract].

SUB CODE: 11, 13/

Card 1/1 LC

UDC: 621.964:678.5.026

KAPUSTIN, N.V., kand.tekhn.nauk

Shock absorption of mechanisms. Mor. sbor. 49 no.11:71-77
N '65. (MIRA 18:12)

KAPUSTIN, N.V., kand. tekhn. nauk

Ship noises and possible ways of decreasing them. Mor.
sbor. 47 no.10:65-72 0 '64. (MIRA 18:11)

KAPUSTIN, S., starshiy inzh.

Growth of sea harbors of the Polish People's Republic. Mor.
flot 22 no.8:43-44 Ag '62. (MIRA 15:7)

1. Planovo-ekonomicheskoye upravleniye Ministerstva morskogo
flota.

(Poland--Harbors)

KAPUSTIN, S.M.; RAYEVSKIY, V.P. (Leningrad)

Anesthesia in surgery on the spinal cord and spine. Vop. neuro-
khir. 27 no.3:20-24 My-Je '63. (MIRA 17:9)

1. Nauchno-issledovatel'skiy neyrokhirurgicheskiy institut imeni
A.L. Polenova (dir. - prof. V.M.Ugryumov), Leningrad.

DANSKER, V.I.; KAPUSTIN, S.M.; KOLTUN, V.M. (Leningrad)

Experience in the use of endotracheal anesthesia in cerebral angiography. Vop. neirokhir. 27 no.3:24-25 My-Je '63. (MIRA 17:9)

1. Leningradskiy nauchno-issledovatel'skiy neyrokhirurgicheskiy institut imeni Polenova (dir. - prof. V.M.Ugryumov).

UGRYUMOV, V.M., prof.; BORSHCHAGOVSKIY, M.L.; KAPUSTIN, S.M.; RAYEVSKIY, V.P.

Problem of preventing terminal states during surgery on patients
with brain lesions. Vop.neirokhir. 28 no.4:1-6 JI-Ag '64.

(MIRA 18:3)

1. Leningradskiy nauchno-issledovatel'skiy neyrokhirurgicheskiy
institut imeni A.L.Polenova (dir. - prof. V.M.Ugryumov).

KAPUSTIN, T.M., inzhener.

Construction of roadside water reservoirs. Avt.der.19 no.3:32
Mr '56. (Ukraine--Ponds) (MIRA 9:7)

KAFUSTIN, V.

KRANOVYYE ELEKTRODVIGATELI POSTOYANNOGO TOKA; RUKOVODSTVO PO UKHODU I
REMONTU. MOSKVA, IZD-VD MINISTERSTVA RECHNOGO FLOTA SSSR, 1953 50 p.

KAPUSTIN, V.

~~Mechanization of river loading points. Les. prom. 35 no.2:9-11~~
F '57. (MLRA 10:4)

1. Glavnyy inzhener Sankinskogo lespromkhoz. (Lumbering--Machinery)

BEDNOV, N.I.; KAPUSTIN, V.A.

Electrification index and power consumption conditions in agricultural regions. Izv. Kazan. fil. AN SSSR. Ser. energ. i vod. khoz. no.1:3-27 '57. (MIRA 11:10)
(Rural electrification)

KAPUSTIN, S. K.

Morskie porty v novoi stalinskoj poatiletke. [Sea ports in the new Stalin five-year plan] Moskva, Morskoi transport, 1947. p56 p. illus.

"Literatura": P. 56

DLC: HE557.R9K3

SO: Soviet Transportation and Communications, A Bibliography, Library of Congress, Reference Department, Washington, 1952, Unclassified.

KAPUSTIN, S.

Shipping

Basic requirements for machines used in loading and unloading within the holds of ships. Mor. flot 13, No. 3, 1953.

Monthly List of Russian Accessions, Library of Congress
June 1953. UNCL.

KAPUSTIN, S.

Mechanization of reloading shipment of crated merchandise in
ship holds. Mor.flot 15 no.12:28-31 D '55. (MLRA 9:3)

1. Tekhsovet Ministerstva morskogo flota.
(Cargo handling)

KAPUSTIN, S.

Mechanical bulk cargo handling in foreign ports. Mor.flot 16
no.2:28-31 F '56. (MIRA 9:5)

1. Tekhsovet Ministerstva Morskogo flota.
(Cargo handling)

KAPUSTIN, S.

Railroad tracks running parallel to cargo wharves. Mor. flot 18
no.7:9-11 J1 '58. (MIRA 11:7)

1. Starshiy inzhener Planovo-ekonomicheskogo upravleniya Ministerstva
morskogo flota. (Marine railways)

KAPUSTIN, S.

Self-propelled oil-bunkering vessel for harbor use. Mor.
flot 19 no.10:26-28 0 '59. (MIRA 13:2)

1. Starshiy inzhener Planovo-ekonomicheskogo upravleniya
Ministerstva morskogo flota.
(Tank vessels)

KAPUSTIN, S.

Determining the number of pier sidings for handling piece
freight. Mor.flot 19 no.12:23-26 D '59. (MIRA 13:3)

1. Starshiy inzhener Planovo-ekonomicheskogo upravleniya
Ministerstva morskogo flota.
(Cargo handling) (Ship railroads)

KAPUSTIN, S.K., starshiy inzh.

Seaports of the polish People's Republic. Biul.tekh.-ekon.inform.-
Tekh.upr.Min.mor.flota 5 no.4:102-112 '60. (MIRA 15:1)

1. Proizvodstvenno-eksperimental'noye upravleniye Ministerstva
morskogo flota.

(Poland--Harbors)

CHERFAS, M.D., starshiy nauchnyy sotrudnik; KIREYEV, V.A.; KAPUSTIN, S.A.

Method of determining vertebral torsion in the initial forms of scoliosis. Ortop., travm. i protez. 26 no.4:30-33 Ap '65.
(MIRA 18:12)

1. Iz Saratovskogo instituta travmatologii i ortopedii (dir. - dotsent Ya.N.Rodin). Adres avtorov: Saratov, ul. Chernyshevskogo, dom 148, Institut travmatologii i ortopedii.

BEDNOV, N.I.; KAPUSTIN, V.A.; SKOBEL'TSYN, Yu.V.

Methods for determining the prospective power consumption and
rated load in agricultural regions. Izv. Kazan. fil. AN SSSR.
Ser. energ. i vod. khoz. no.1:29-42 '57. (MIRA 11:10)
(Rural electrification)

SKOBEL'TSYN, Yu.V., prof.; KAPUSTIN, V.A., inzh.; BEDNOV, N.I., inzh.;
OL'SHEVSKAYA, V.T.

Simplified method of determining principal factors of electric
supply before drawing up a final plan. Mekh.i elek.sots.
sel'khoz. 17 no.5:29 '59. (MIRA 12:12)

1. Kazanskiy filial AN SSSR.
(Rural electrification)

KAPUSTIN, V.A.

Basis for choosing the sequence of the electrification of agricultural districts in the Tatar A.S.S.R. Trudy Kazan.fil.AN SSSR.Ser.energ.i vod.khoz. no.2:9-16 '61. (MIRA 15:3)
(Tatar A.S.S.R.--Electrification)