

IZNOSKOVA, T.N.

Method of the technical treatment of sedimentary deposits for diatom
analysis. Trudy VNIGRI no.239:267-269 '65. (MIRA 18:7)

IZNOSOV, P.V.

Clays from the Komi A.S.S.R. should be used for the manufacture
of ceramic tile. Stek. i ker. 19 no.3:28-32 Mr '62.

(MIRA 15:3)

(Komi A.S.S.R.--Clay) (Ceramics)

IZOBCH, N.A.

The number of lower exponents of solutions to a system of linear differential equations. Dokl. AN BSSR 8 no.12:761-762 D '64.

(MIRA 18:4)

1. Belorusskiy gosudarstvennyy universitet imeni Lenina.

INOBRY, N.A.

Set of lower exponents of a linear differential system, IIF.
urav. 1 no.4:469-477 An '65. (M.N. 18:5)

1. Belorusskiy gosudarstvennyy universitet imeni Lenina.

IZOFOV, N.

Automatic control of combines. Nauka i pered.op.v sel'khoz.
9 no.11:56-57 N '59. (MIRA 13:3)

1. Glavnyy inzhener sovkhoza "Talashkino," Smolenskoy oblasti.
(Combines(Agricultural machinery))
(Automatic control)

VOZNESENSKIY, D.V.; AMELANDOV, A.S.; GWEYSLER, A.N.; GOLUBYATNIKOV, V.D.;
[deceased]; DOMAREV, V.S.; DOMINIKOVSKIY, V.M.; DOVZHIKOV, A.Ye.;
ZAYTSEV, I.K.; IVANOV, A.A.; ITSIKSON, M.I.; IZOKH, E.P.; KNYAZEV,
I.I.; KORZHENEVSKAYA, A.S.; MISHAREV, D.T.; SEMENOV, A.I.; MORO-
ZENKO, N.K.; NEFEDOV, Ye.I.; RADCHENKO, G.P.; SERGIYEVSKIY, V.M.;
SOLOV'YEV, A.T.; TALDYKIN, S.I.; UNKSOV, V.A.; KHABAKOV, A.V.;
TSEKHOMSKIY, A.M.; CHUPILIN, I.I.; SHATALOV, Ye.T.; glavnyy redak-
tor; KRASNIKOV, V.I., redaktor; MIRLIN, G.A., redaktor; RUSANOV, B.S,
redaktor; POTAPOV, V.S., redaktor izdatel'stva; GUROVA, O.A., tekhnicheskii redaktor.

[Instructions for organization and execution of geological surveys
in scales of 1:50,000 and 1:25,000] Instruktsiia po organizatsii
i proizvodstvu geologo-s"emochnykh rabot masshtabov 1:50,000 i
1:25,000. Moskva, Gos.nauchno-tekhn.izd-vo lit-ry po geol. i
okhrane ndr. 1956. 373 p. (MIRA 10:6)

1. Russia (1923- U.S.S.R.) Ministerstvo geologii i okhrany ndr.
(Geological surveys)

IZOITKO, V.M.; POROTOV, G.S.

Intrusive rocks in the Sarbay deposit. Zap. LGI 47 no.2:114-
121 '64. (MIRA 18:3)

IZOKH, E.P.

"Postgranite" dikes, their origin and relation to postmagmatic mineralization [with summary in English]. Sov. geol. 1 no.10: 74-85. 0 '58. (MIRA 12:3)

1. Vsesoyuznyy nauchno-issledovatel'skiy geologicheskii institut.
(Rocks, Igneous)

IZOKH, E.P.; KAZITSYN, Yu.V.

Structural discontinuity in the albite-anorthite series and the petrographic importance of plagioclases of various structural types.
Zap.Vses.min.ob-va 88 no.3:247-260 '59. (MIRA 12:11)

1. Vsesoyuznyy nauchno-issledovatel'skiy geologicheskii institut,
Leningrad.

(Plagioclase)

POLEVAYA, N.I.; IZOKH, E.P.

Absolute age of upper Cretaceous and Tertiary effusive and intrusive rocks in the northern Si-mote-Alin' Range and Myao-Chan Range. Izv. AN SSSR. Ser. geol. 25 no.7:46-50 J1 '60. (MIRA 13:10)

1. Vsesoyuznyy nauchno-issledovatel'skiy geologicheskii institut Ministerstva geologii i okhrany nedr SSSR, Leningrad.
(Soviet Far East--Rocks, Igneous) (Geological time)

IZOKH, E.P.

Correlation scheme for intrusions of the northern Sikhote-Alin'
and adjacent regions on the left bank of the Amur River. Dokl.
AN SSSR 134 no.1:153-156 S '60. (MIRA 13:8)

1. Vsesoyuznyy nauchno-issledovatel'skiy geologicheskii institut.
Predstavleno akad. V.S.Sobolevym.
(Sikhote-Alin' region--Rocks, Igneous)

FAVORSKAYA, M.A.; RUB, M.G.; KIGAY, V.A.; IZOKH, E.P.; GAPEYEVA, G.M.;
PREOBRAZHENSKAYA, G.K.; USTIYEV, Ye.K., doktor geol.-mineral.nauk,
otv.red.; ROZANOV, Yu.A., red.izd-va; UL'YANOVA, O.G., tekhn.red.

[Magmatic activity and metallogenic features of the Sikhote-Alin'
Range and the Lake Khanka region] Magmatizm Sikhote-Alinia i Prikhan-
kaiskogo raiona i ego metallogenicheskie osobennosti. Moskva, Izd-vo
Akad. nauk SSSR, 1961. 327 p. (Akademiia nauk SSSR, Institut geologii
rudnykh mestorozhdenii, petrografii, mineralogii i geokhimi. Trudy,
no.45). (MIRA 15:3)

(Sikhote-Alin' Range--Rocks, Igneous)

(Khanka Lake region--Rocks, Igneous)

IZOKH, E.P.

Origin and metallogenic features of alkali soil series of intrusions as exemplified in areas of the Far East. Geol. i geofiz. no. 8:3-28 '62. (MIRA 15:10)

1. Vsesoyuznyy nauchno-issledovatel'skiy institut, Leningrad. (Soviet Far East—Petrology) (Geochemistry)

IZOKH, E. P.; KRAVTSOV, Ya.M.

Significance of spectrum analysis of biotites for correlating
granites and determining their metal potential in the Far
East. Trudy VSEGEI 73:89-98 '62. (MIRA 15:9)
(Soviet Far East--Granite--Spectra)
(Soviet Far East--Biotites--Spectra)

IZOKH, E.P.; LE DIN' KHYU; NGUYEN VAN T'YEN

New data on igneous activity in North Vietnam. Dokl. AN SSSR
155 no.6:1321-1324 Ap '64. (MIRA 17:4)

1. Institut geologii i geofiziki Sibirskogo otdeleniya AN SSSR i
Glavnoye geologicheskoye upravleniye Demokraticheskoy Respubliki
V'yetnam. Predstavleno akademikom V.S.Sobolevym.

IZOKH, M.P.; NGUYEN VAN TUYEN

Late geosynclinal ultrabasites in North Vietnam. Dokl. AN
SSSR 155 no. 3:569-572, 1964. (MIRA 17:5)

1. Institut geologii i geofiziki Sibirskogo otdeleniya AN SSSR
i Politeknicheskly Institut, Khamov, Demokraticheskaya
Respublika V'yetnam. Predstavleno akademikom V.S. Sobolevym.

IZOKH, Emil' Petrovich; PINUS, G.V., doktor geol.-miner. nauk,
otv. red.; ZAYTSEVA, I.P., red.

[Ultrabasite-gabbro-granit' formation series and the
formation of high-alumina granites] Ginebasit-gabbro-
granitnyi formatsionnyi riad i formatsiia vysokeglinno-
zernistykh granitov. Novosibirsk, Red.-izd. otdel Sibirskogo
otd-niia AN SSSR, 1965. 137 p. (MIRA 18:11)

IZOKH, V.V.; YEFIMCHIK, M.K.

Scaling circuit using tunnel diodes. Prib. i tekhn. eksp. 7
no.3:86-87 My-Je '62. (MIRA 16:7)

1. Belorusskiy gosudarstvennyy universitet.
(Electric circuits) (Tunnel diodes)

IZOKH, V.V.; BAGRINTSEV, V.P.

Pulse shaper using tunnel diodes. Prib. i tekhn. eksp. 8 no.5:
120-122 S-0 '63. (MIRA 16:12)

1. Belorusskiy gosudarstvennyy universitet.

"APPROVED FOR RELEASE: 08/10/2001

CIA-RDP86-00513R000619410008-2

APPROVED FOR RELEASE: 08/10/2001

CIA-RDP86-00513R000619410008-2"

"APPROVED FOR RELEASE: 08/10/2001

CIA-RDP86-00513R000619410008-2

APPROVED FOR RELEASE: 08/10/2001

CIA-RDP86-00513R000619410008-2"

"APPROVED FOR RELEASE: 08/10/2001

CIA-RDP86-00513R000619410008-2

APPROVED FOR RELEASE: 08/10/2001

CIA-RDP86-00513R000619410008-2"

"APPROVED FOR RELEASE: 08/10/2001

CIA-RDP86-00513R000619410008-2

APPROVED FOR RELEASE: 08/10/2001

CIA-RDP86-00513R000619410008-2"

"APPROVED FOR RELEASE: 08/10/2001

CIA-RDP86-00513R000619410008-2

APPROVED FOR RELEASE: 08/10/2001

CIA-RDP86-00513R000619410008-2"

"APPROVED FOR RELEASE: 08/10/2001

CIA-RDP86-00513R000619410008-2

APPROVED FOR RELEASE: 08/10/2001

CIA-RDP86-00513R000619410008-2"

L 1616-66

ACCESSION NR: AP5021372

UR/0120/65/0010/004/0230/0232
621.374

34
B

AUTHORS: Yefimchik, M. K.; Izokh, V. V.; Chernyavskiy, A. F.

TITLE: Semiconductor digital vernier converter

SOURCE: Priory i tekhnika eksperimenta, no. 4, 1965, 230-232

TOPIC TAGS: vernier converter, semiconductor equipment, transistorized circuit

ABSTRACT: The basic circuit for a nanosecond range vernier converter for nuclear electronics is presented. The use of semiconductor devices (tunnel diodes, etc) in the converter insures high accuracy, a high response rate, and a large range of measured times, as well as small dimensions, small power requirements, and simplicity of design. The resolving time of the converter can be selected in the range 10^{-10} to 10^{-9} sec, and measurements are made in the time range $5 \cdot 10^{-10}$ - $2 \cdot 10^{-7}$ sec. Orig. art. has: 2 figures. [04]

ASSOCIATION: Belorusskiy gosudarstvennyy universitet, Minak (Belorussian State University)

SUBMITTED: 06Jun64

ENCL: 00

SUB CODE: EC

NO REF SOV: 007

OTHER: 000

ATD PRESS: 4093

Card 1/1

90

L 1421-66 ENT(1)/EEC(k)-2/T/EWA(h) IJP(o)

ACCESSION NR: AP5021374

UR/0120/65/000/004/0214/0135
621.373.51

AUTHOR: Yefinshdk, M. K.⁴⁴; Izokh, V. V.⁴⁴; Chernyavskiy, A. I.⁴⁴

56
54
B

TITLE: Dynamic element using tunnel diodes^{25, 44}

SOURCE: Pribory i tekhnika eksperimenta, no. 4, 1965, 234-235

TOPIC TAGS: pulse generator, tunnel diode, computer storage device

ABSTRACT: The principles of operation and characteristics of a dynamic storage element using tunnel diodes are presented. The element is designed on the principle of a circulating generator in which a section of a high-quality cable is used to store recoverable information. The principal circuit and a modification are shown in Fig. 1 of Enclosure. The modified circuit includes an inverted diode and an additional resistor to assure free passage of the signal from the end of the cable to the input. Both circuits are identical with respect to operating characteristics: a 300 kc--20-Mc pulse repetition rate and a 30×10^{-9} sec pulse width with n-germanium tunnel diodes; a 300 kc--100-Mc pulse repetition rate and 4×10^{-9} sec pulse width with gallium arsenide tunnel diodes. Stable operation of the circuits is maintained at supply voltage variations within $\pm 5\%$. The circuits are reported to be relatively

Card 1/3

L 1421-66

ACCESSION NR: AP5021374

simple, reliable, and economical. They can be used as high-speed circulating generators in vernier digital converters for nuclear electronics systems. Orig. art. has: 2 figures. [JR]

ASSOCIATION: Belorusskiy gosudarstvennyy universitet, Minsk (Belorussian State University)

SUBMITTED: 18Apr64

ENCL: 01

SUB CODE: DP, EC

NO REF SOV: 002

OTHER: 001

ATD PRESS: 4097

Card 2/3

L 1421-66

ACCESSION NR: AP5021374

ENCLOSURE: 01

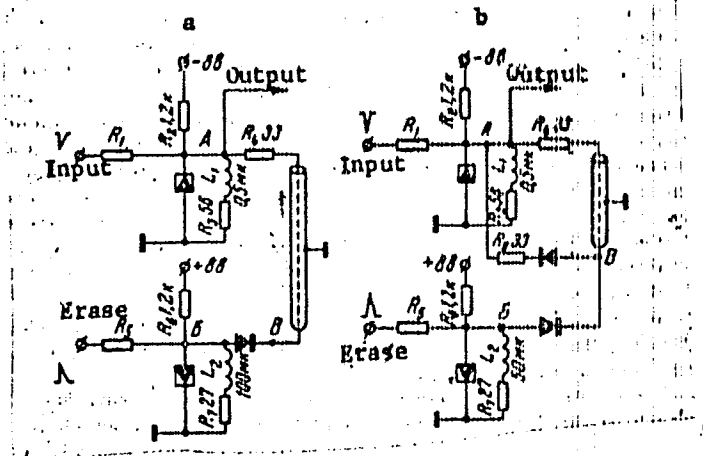


Fig. 1. Tunnel diode circuits

Card 3/3

SP

"APPROVED FOR RELEASE: 08/10/2001

CIA-RDP86-00513R000619410008-2

APPROVED FOR RELEASE: 08/10/2001

CIA-RDP86-00513R000619410008-2"

"APPROVED FOR RELEASE: 08/10/2001

CIA-RDP86-00513R000619410008-2

APPROVED FOR RELEASE: 08/10/2001

CIA-RDP86-00513R000619410008-2"

"APPROVED FOR RELEASE: 08/10/2001

CIA-RDP86-00513R000619410008-2

APPROVED FOR RELEASE: 08/10/2001

CIA-RDP86-00513R000619410008-2"

(N) L 11775-66 SWP(1)/BWA(h)
ACC NR: AP6001574 SOURCE CODE: UR/0120/65/000/006/0097/0100

AUTHOR: Izokh, V. V.; Chernyavskiy, A. F.

ORG: Belorussian State University, Minsk (Belorusskiy gosudarstvennyy universitet)

TITLE: High-speed circuit for standarization and selection of photomultiplier signals for time converters

SOURCE: Pribory i tekhnika eksperimenta, no. 6, 1965, 97-100

TOPIC TAGS: time optimal control, time signal, multichannel analyzer, photomultiplier, pulse signal

ABSTRACT: A circuit is proposed for shaping and selecting photomultiplier pulses for multichannel time analyzers. The device provides optimum time information in a wide dynamic range (0.05--10 volts) at a high average photomultiplier rate (minimum time between pulses $\geq 2.5 \cdot 10^{-8}$ sec). The circuit is based on tunnel diodes and transistors. A block diagram of the unit is given (Fig. 1). In the initial state, gates 1 and 2 are closed by voltages from flip-flops F₁ and F₂, respectively. Gate 1 is opened when the signal indicating the end of the preceding information is fed from the control unit of the analyzer to the input.
Card 1/3

UDC: 621.374

L 11775-66

ACC NR: AP6001574

Signal indicating
end of
information processing

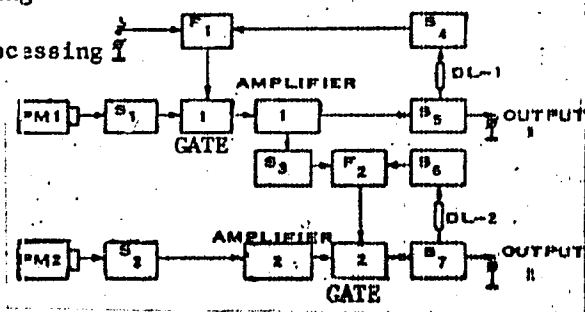


Fig. 1. Block diagram of the device

Card 2/3

L 11775-66

ACC NR: AP6001574

of F_1 . A regular pulse from photomultiplier PM1, corresponding to the beginning of the time interval to be measured, appears at output 1 of the unit after passing through shaper S_1 , amplifier 1, and shaper S_5 . A pulse from S_5 passes through delay line DL-1 and shaper S_4 to reset F_1 and gate 1 to the initial position. Gate 1 is closed no more than $2 \cdot 10^{-8}$ sec after the circuit clamps the signal from PM1. The pulse from amplifier 1 is shaped by S_3 and triggers F_2 , opening gate 2. There is no more than 10^{-9} sec between clamping of the signal from PM1 and release of gate 2. The next pulse from PM2, corresponding to the end of the time interval being measured, appears at output 2 of the circuit after passing through shaper S_2 , amplifier 2, gate 2, and shaper S_7 . The pulse from shaper S_7 is fed through delay line DL-2 and shaper S_6 to trigger F_2 and close gate 2. There is no more than $2 \cdot 10^{-8}$ sec between clamping of the signal from PM2 and shutoff of gate 2. The signals at outputs 1 and 2 have a constant amplitude of 0.6 volts and a duration of $2 \cdot 10^{-8}$ sec in a wide dynamic range of photomultiplier signals and may be used for direct triggering of time converters. A schematic diagram of the device is given, and the design and operation of the individual elements are briefly described. The authors thank A. N. Pisarevskiy for his interest in this work and for several valuable comments. Orig. art. has: 3 figures. [08]

SUB CODE: 09 / SUBM DATE: 01Oct64 / ORIG REF: 004 / OTH REF: 001 / ATD PRESS:

Card 3/3 *pw*

4180

L 32074-66

ACC NR: AR6016151

inator circuits were successfully tested with a photomultiplier serving as the generator of the input pulses. Yu. Ziman [Translation of abstract]

SUB CODE: 09

Card 2/200

L 35305-66 EWT(1)/EBC(k)-2/T IJP(c)
ACC NR: AR6017788

SOURCE CODE: UR/0058/66/000/001/A043/A043

AUTHOR: Chernyavskiy, A. F.; Izokh, V. V.; Shushkevich, S. S.; Yefimchik, M. K.

TITLE: Dynamic devices using tunnel diodes 25

SOURCE: Ref. zh. Fizika, Abs. 1A390 35
B

REF SOURCE: Tr. 6-y Nauchno-tekhn. konferentsii po vadem. radialektron. T. 1. M.,
Atomizdat, 1964, 161-197

TOPIC TAGS: tunnel diode storage, multichannel analyzer, delay line, gallium arsenide,
memory time

ABSTRACT: The authors consider the advantages of the vernier method of time transformation as compared with other methods which are used in multichannel time analyzers (start-stop method and the overlap method). It is noted that although at the present time the known vacuum-tube vernier converters provide high accuracy of measurement, they cannot satisfy many specific requirements, such as increased reliability, small power consumption, small dimensions, etc. Several time-conversion circuits of the vernier type using semiconductor elements which satisfy many of these requirements, have been developed. The circulation generators used in these devices are two types of dynamic memories with tunnel diodes. The operating principle of the generators is considered in detail; the schematic diagrams and time diagrams illustrating their operations are presented. Both circulation generator circuits were used in a time analyzer made up completely of semiconductor elements. With the aid of each of them,

Card 1/2

1 08406-67 ENT(;) ACC NR: AP6034231

SOURCE CODE: UR/0120/66/000/005/0134/0135

AUTHOR: Yefimchik, M. K.; Izokh, V. V.; Lakizo, V. I.; Podol'nyy, E. I.; Chernyavskiy, A. F.

ORG: Belorussian State University, Minsk (Belorusskiy gosudarstvennyy universitet)

TITLE: High-speed scaling circuit with tunnel diodes

SOURCE: Pribory i tekhnika eksperimenta, no. 5, 1966, 134-135

TOPIC TAGS: computer component, scaling circuit, tunnel diode, *circuit design*

ABSTRACT: A binary scaling circuit using three tunnel diodes (see Fig. 1) is investigated. It is largely free from the deficiencies characteristic of the widely

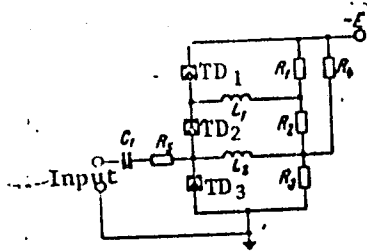


Fig. 1. Circuit diagram of a scaler with three tunnel diodes

Card 1/3

UDC: 621.374.32:621.382

L 08496-67
ACC NR: AP6034231

indicates the static volt-ampere characteristics of the flip-flop; curve II, the static load characteristic; and curve III, the dynamic load characteristic. R_L regulates circuit sensitivity. It can be seen from Fig. 2 that the circuit is sensitive to pulses of positive polarity only as its d-c load characteristic is sufficiently steep, which results in a considerable extension of the dynamic range of this circuit. There is no need for the rigid power source stabilization necessary in the two-diode system. Fig. 3 represents a practical circuit diagram of a scaler equipped with three ZIZO1V tunnel diodes. This scaler operates stably even with no parameter identity of TD_1 and TD_2 , with the input signal frequency up to 100 Mc, and with supply voltage fluctuations of $\pm 25\%$. Orig. art. has: 6 figures.

SUB CODE: 09/ SUBM DATE: 11Sep65/ ORIG REF: 001/ OTH REF: 001/ ATD PRESS: 5103

Card 3/3 afs

MOROZOV, V.I.; VORONICHEV, N.M.; NAJDIN, Yu.V.; GARMAZA, V.A.; MEDVEDEV, G.I.;
KAMENETSKIY, I.M.; IZOKH, V.V.; BARASHKOV, V.D.; EMPARAPULO, V.Kh.;
RAYEVSKIY, N.P.; YASHKOV, Yu.M.; GRISHIN, V.P.; SMYSLOV, I.I.;
ROMANENKO, Yu.M.; SAKHAROV, B.B.

Innovations. Avtom. i prib. no.2:61-62 Ap-Je '65.

(MIRA 18:7)

PISAREVSKIY, A.N.; YEFIMCHIK, M.K.; IZOKH, V.V.; CHERNYAVSKIY, A.F.

New aspects of time measurements in nuclear spectroscopy. Izv. AN SSSR.
Ser. fiz. 29 no.7:1083-1088 J1 '65. (MIRA 18:7)

IZOMVA, E. S.

Fishery Products--Accounting

Effort to lower the cost of each operation at the Moscow Fish Combine. *Izvestia*, no. 4, 1952.

9. Monthly List of Russian Accessions, Library of Congress, August 1952 1953. Unclassified.

IZORIYA, M.; ARMER, M.

Food mills at granaries. Muk.-elev.prom.24 no.2:24-25 P '58.
(MIRA 11:4)

1. Sukhumskaya realizatsionnaya baza.
(Feed mills)

VOLKOV, G.I.; IZOSENKOV, R.I.

Effect of calcium ions on the operation of a chlorine electrolyzer
with a mercury cathode. Khim. prom. no. 7:562-564 Q-N '60.
(MIRA 13:12)

(Electrolysis)

(Calcium)

YAKIMENKO, L.M.; IZOSENKOV, R.I.

Effect of the diameter of holes and of the extent of perforation
of plate anodes on the voltage in horizontal mercury baths.
Zhur.prikl.khim. 35 no.2:342-350 F '62. (MIRA 15:2)
(Electrodes, Mercury)

ACCESSION NR: AR4033711

S/0081/64/000/003/M014/M014

SOURCE: Referativnyy zhurnal. Khimiya, Abs. 3M98

AUTHOR: Galdina, N. M.; Rublevskiy, Zh. P.; Shatova, N. P.; Yanovskiy, Yu. S.;
Izosenkova, A. V.; Shchekotikhina, N. M.

TITLE: Improving the technology of production of electromolten, zirconium-con-
taining, refractory materials for glass furnaces

CITED SOURCE: Steklo. Inform. materialy* Gos. n.-i. in-ta stekla, no. 2 (119),
1963, 55-62

TOPIC TAGS: glass manufacture, glass furnace construction, glass furnace material,
refractory material, zirconium containing refractory material, arc furnace

ABSTRACT: In order to raise the output, improve the quality of the melt and effect
a more economical utilization of heat in the process of melting high-stability
refractory materials, a three-phase arc furnace has been installed in the testing
facility of the Saratovskiy zavod tekhnicheskogo stekla (Saratov technical glass
works). The electrical specifications of the furnace are given. Under the opera-
ting conditions indicated, the melt output of the 500 kg furnace is 300 kg/hr.
Bakor 33 was molten in the three-phase arc furnace and pieces were cast in the
Card 172

ACCESSION NR: AR4033711

form of 600 x 400 x 250 mm standard wall bars as well as draw plates and profile parts for burner ducts of glass furnaces (arch stones, "teeth" and "heels"). The average chemical composition and physical properties are given for bakor 33 glass bars whose characteristics are superior to those of bars made by the Yerevan works and not inferior to the best modern, foreign, fused refractory material, "Korkhart TsAK". Thus, in some tests, the glass strength of bakor 33 samples exceeded that of the "Korkhart TsAK" material and was higher than that of the bakor 33 and bakor 20 produced at the Yerevan works.

DATE ACQ: 02Apr64

SUB CODE: MA

ENCL: 00

Card 2/2

IZOSIMOV, A.M.

Drilling test Devonian wells by the turbodrilling and rotary drilling
methods in the Kinel'-Cherkassy oil- and gas-bearing area. Neft.
khoz. 39 no.10:45-47 0 '61. (MIRA 15:1)
(Kinel'-Cherkassy District--Boring)

Basic capital of the railroad of the U.S.S.R. - Moscow, Gos. izdatstat. izdatstva.
1966-vo, 1968. 100. Ekonomicheskaya statistika na zeleznice promishlennosti (1966-1968).

HE137.19

IZOSIMOV, Aleksandr Vasil'yevich

[Fixed capital of the railroads of the U.S.S.R.] Osnovnye sredstva
zheleznykh dorog SSSR. Moskva, Transzheldorizdat, 1956. 60 p.
(Railroads--Finance) (KIRA 9:12)

IZOSIMOV, A.V., kandidat ekonomicheskikh nauk.

Calculating haulage costs in evaluating the efficiency of introducing new types of freight cars. Trudy TSNII MPS no.120:44-66
'56. (MIRA 9:12)
(Railroads--Freight cars)

ZAKHAROV, A.G., kandidat ekonomicheskikh nauk.; ~~IZOSIMOV, A.V.~~ kandidat ekonomicheskikh nauk.

Comparison of current systems for train traction. Vest. TSNII MPS
16 no.3:17-22 My '57. (MLRA 10:5)
(Electric railroads)

68-58-4-2/21

AUTHORS: Gribin, P. P., Izotov, A. V., and Muzylev, G. A.

TITLE: Beneficiation of Coal without Classification
(Otsadka uglya bez predvaritel'noy klassifikatsii)

PERIODICAL: Koks i Khimiya, 1958, Nr 4, pp 3-7 (USSR)

ABSTRACT: As many authors when discussing the washing of coal without its preliminary classification present an incorrect picture of this process, based on the misinformation of results obtained in Sakhalin washeries (high coal losses with waste); the present authors give an analysis of the process. It is pointed out that due to the backwardness of the power generation industry in the Sakhalin district, the tailings are not utilized and together with rocks removed from the coal are considered as a waste product of washeries. This creates an impression of the low efficiency of the process of washing of unclassified coal. Operating results of the Sakhalin coal washeries are discussed in some detail (Tables 1, 2 and 3). It is concluded that in new projects of coal washeries the utilization of technological schemes of jigging of non-classified coal should be utilized. The production of a concentrate of

Card 1/2

Beneficiation of Coal Without Classification 62-52-4-2/21

a required quality is possible on jigging of coal of any washability in one stage without secondary beneficiation of the fine concentrate. The preliminary classification of coal is advantageous only when fine sizes of coal (or dust) do not require beneficiation, and their separation in a dry state is possible and on beneficiation of larger sizes by other methods, e.g. in suspensions.
There are 3 tables and 4 references, all of which are Soviet.

ASSOCIATIONS: Kombinat "Sakhalinugol'" (Sakhalinougol' Combine) and VNIUgleobogashcheniye

1. Coal--Processing
2. Coal--Classification

Card 2/2

BARKOV, N.N., kand.ekon.nauk; IZOSIMOV, A.V., kand.ekon.nauk; KOTOV, G.V.,
kand.ekon.nauk; TRUBIKHIN, M.G., kand.ekon.nauk

New edition of a textbook on transportation economy ("Economic aspects
of transportation" by A. N. Gibshman and others. Reviewed by N. N.
Barkov and others. Zhel. dor. transp. 40 no.8:91-94 Ag '58.
(MIRA 11:9)

(Transportation)

IZOSIMOV, A.V., kand. ekon. nauk

Growth of railroad transportation capital and its amortization.
Zhel. dor. transp. 41 no.5:30-35 My '59. (MIRA 12:7)
(Railroads--Finance)

IZOSIMOV, Aleksandr Vasil'yevich; SHCHERBAKOV, P.D., rotsennent; KRISHTAL', L.I., red.; USENKO, L.A., tekhn. red.

[Capital assets of railroads and ways of improving their utilization] Osnovnye sredstva zheleznykh dorog i puti uluchsheniia ikh ispol'zovaniia. Moskva, Vses. izdatel'sko-poligr. ob"edinenie M-va putei soobshcheniia, 1961. 48 p. (MIRA 14:8)
(Railroads—Finance)

IZOSIMOV, A.V., kand.ekon.nauk; KOTOV, G.V., kand.ekon.nauk

Separate calculation of transportation costs for each traction
type. Vest. TSNIIMPS 20 no.6:58-61 '61. (MIRA 14:10)
(Railroads--Operation costs)

IZOSIMOV, A.V., kand.ekonom.nauk

Planning and utilization of amortization deductions. Zhel.dor.
transp. 43 no.6:41-45 Je '61. (MIRA 14:7)
(Railroads—Accounts, bookkeeping, etc)
(Amortization)

IZOSIMOV, A.V., kand.ekonomicheskikh nauk; LAPIN V.B., inzh.

Technical and economic efficiency of the various systems of connecting
a.c. and d.c. electric traction. Vest.TSNIIMPS 21 no.7:3-7 '62.
(MIRA 15:12)

(Electric railroads)

IZOSIMOV, A.V., kand., ekon. nauk; PEDANOV, V.P., retsennent; KRISHTAL', L.I.,
red.; VOROTNIKOVA, L.F., tekhn. red.

[The amortization and utilization of the capital assets of
railroads] Amortizatsiia i ispol'zovanie osnovnykh sredstv
sheleznykh dorog. Moskva, Transzheldorizdat, 1963. 243 p.
(MIRA 16:6)

(Railroads--Equipment and supplies)
(Amortization)

TIKHMENEV, B.N., doktor tekhn.nauk; IZOSIMOV, A.V., kand.ekonom.nauk;
NEKRASOV, O.A., kand.tekhn.nauk; LAPIN, V.B., inzh.

Technical and economic comparison of methods for joining a.c. and d.c.
electrified railroad districts. Trudy TSNII MPS no.256:108-122 '63.
(MIRA 16:6)

(Electric railroads)

IZOSIMOV, G.V.

Fiftieth anniversary of the death of I.I. Tarkhanov, an outstanding
Russian physiologist. Klin.med. 37 no.10:132-134 0 '59.

(MIRA 13:2)

(BIOGRAPHIES)
(PHYSIOLOGY)

IZOSIMOV, G.V.

Effect of the destruction of the reticular formation of the mesencephalon and the hypothalamus on the bioelectric reactions of the cerebral cortex in acute radiation sickness. Radiobiologia 1 no.4:535-542 '61. (MIRA 17:2)

32769

S/205/61/001/006/020/022
D243/D305

27.2400 also 2209

AUTHOR: Izosimov, G.V.

TITLE: The role of the subcortical ganglia in bioelectric reactions of the brain cortex during acute radiation sickness

PERIODICAL: Radiobiologiya, v. 1, no. 6, 1961, 946 - 952

TEXT: The author studied the effect of the mid-brain reticular formation on cortical biopotentials and compared this effect with that of the posterior hypothalamic region in acute radiation sickness. The author states that the role of the mid-brain reticular formation in these circumstances is not known. Two groups of 8 fully grown, male rabbits were used, one group being subjected to stimulation of the mid-brain reticular substance, the other to posterior hypothalamic stimulation. Using a stereotaxic apparatus of R. M. Marshcherskiy's system [Abstractor's note: No details given] two platinum electrodes, 1 mm diameter, were inserted into the brain substance at points determined by stereotaxic coordinates. A

Card 1/3

32760

S/205/61/001/006/020/022

The role of the subcortical ganglia ... D243/D305

tuated; at the same period the hypothalamus exerts a normalizing effect on the cortical activity by virtue of its role as an adaptation center in the organism. This conclusion is said to confirm the work of M.N. Livanov (Ref. 5; Tr. Vses. Konf. po med. radiologii, p. 17; Medgiz, M., 1957). In the latter period of radiation sickness the effect of the reticular formation and the hypothalamus on the cortex is distorted and weakened. Just before death the cortex ceases to respond to hypothalamic or reticular stimulation. There are 4 figures and 12 references: 7 Soviet-bloc and 5 non-Soviet-bloc. The 4 most recent references to the English-language publications read as follows: H.W. Magoun, Waking Brain, Springfield, 1958; H.H. Jasper, Brain Mechanisms and Consciousness, Oxford, 1954; C.H. Sawyer, J.W. Everett and J.D. Green, J. Compar. Neurol., 101, no. 3, 801, 1954; G.A. Moruzzi and H.W. Magoun, E.E. G. and clin. neurophysiol. 1, 455, 1949. X

SUBMITTED: March 14, 1961

Card 3/3

S/865/62/002/000/026/042
D405/D301

Effect of prolonged ...

phases. In the first phase the level of biopotentials decreased to 80-100 microvolt, and the number of slow synchronous oscillations (1-3 per second) decreased. In the second phase the level of bioelectric activity increased markedly, exceeding the original level; in contradistinction to the first phase, the number of slow oscillations increased. The third phase was characterized by an even greater increase in the slow waves, and also by a marked slowing down in the rate of respiration and cardiac contraction. The bioelectric activity returned to normal 2-3 hours after the acceleration ceased. The following mechanism of the above phase changes is suggested: The lower activity in the first phase may be due to an increased flow of afferent impulses from extero and interoceptors. The second phase may involve "initial inhibition" of the cerebral cortex. The third phase is apparently related to a further development of the inhibition process, leading to disturbances in the reflexory regulation of the cardiac and respiration systems. At overloads of 12 g and above, the "initial inhibition" phase starts at the 123rd second from the beginning of the acceleration. With smaller overloads, this phase starts later. Conclusions: The changes in the

Card 2/3

Effect of prolonged ...

S/865/62/002/000/026/042
D405/D301.

electroencephalograms occur in phases. The onset of the "initial inhibition" phase depends on the magnitude of the overload; this dependence is represented graphically by a hyperbole. The reticular formation of the cerebral stem plays an important part in the mechanism of phase changes. The introduction of Aminasine, which blocks the afferent impulses at the level of reticular formation, prevents or postpones the disturbances in the regular cardiac and respiratory activity. There are 3 figures and 1 table.

Card 3/3

27.1140
276200

S/216/62/000/006/002/002
A004/A127

AUTHORS: Gazenko, O.G., Limanskiy, Yu.P., Razumeyev, A.N., Izosimov, G.V.,
Baranov, V.I., Chichkin, V.A., Gaydamakin, N.A.

TITLE: Method of registering the action potentials of neurons of vestibular nuclei upon adequate stimulation of vestibular receptors in the cat

PERIODICAL: Akademiya nauk SSSR. Izvestiya. Seriya biologicheskaya, no. 6,
1962, 925 - 928

TEXT: The studies carried out were aimed at registering the action potentials of individual neurons of vestibular nuclei, particularly of the Deuters nucleus, during a motionless position of the animal and the reaction of these neurons on a stimulation of the vestibular apparatus during a vertical passive displacement of the animal. The tests were conducted on 17 cats on which action potentials of more than 500 neurons in the area of vestibular nuclei were registered. The authors describe the test conditions and the special test stand on which the animals were placed. The data obtained are being analyzed at present. Of the action potentials of 500 neurons registered, 6 groups of nerve cells were

Card 1/2

IZOSIMOV, G.V.; RAZUMEYEV, A.N.

Studies on changes in the bioelectrical activity of the cerebral cortex under the influence of prolonged transverse overload. Izv. AN SSSR.Ser.biol.27 no.4:621-626 J1-Ag '62. (MIRA 15:9)
(ACCELERATION--PHYSIOLOGICAL EFFECT) (ELECTROENCEPHALOGRAPHY)

VOSKRESENSKIY, A.; IZOSIMOV, G.; PROKHOROV, A.

Generator of moods. Znan.-sila 37 no.5:34-35 My '62. (MIRA 15:9)

(Psychology, Physiological) (Rhythm)

IZOSIMOV, G.V.; MIASNIKOV, V.I.

Electroencephalographic investigation of the functional state of
the human central nervous system under prolonged isolation
conditions. Isk.sput.Zem. no.15:120-123 '63. (MIRA 16:4)
(SPACE MEDICINE)

LIVSHITS, N.N., doktor biol. nauk, otv. red.; IZOSIMOV, G.V., red.

[Effect of ionizing radiation and dynamic factors on functions of the central nervous system; problems of space physiology] Vliianie ioniziruiushchikh izluchenií i dinamicheskikh faktorov na funktsii tsentral'noi nervnoi sistemy; voprosy kosmicheskoi fiziologii. Moskva, Nauka, 1964. 196 p. (MIRA 17:11)

"APPROVED FOR RELEASE: 08/10/2001

CIA-RDP86-00513R000619410008-2

APPROVED FOR RELEASE: 08/10/2001

CIA-RDP86-00513R000619410008-2"

"APPROVED FOR RELEASE: 08/10/2001

CIA-RDP86-00513R000619410008-2

APPROVED FOR RELEASE: 08/10/2001

CIA-RDP86-00513R000619410008-2"

"APPROVED FOR RELEASE: 08/10/2001

CIA-RDP86-00513R000619410008-2

APPROVED FOR RELEASE: 08/10/2001

CIA-RDP86-00513R000619410008-2"

L 14246-66 RD

39

ACC NR: AT6003857

SOURCE CODE: UR/2065/65/004/000/027/0236

AUTHOR: Voskresenskiy, A. D.; Gazenko, O. G.; Izosimov, G. V.; Kopanav, Y. I.
Maksimov, D. G.; Yazdovskiy, V. I.

ORG: none

TITLE: Some physiological data for evaluating the condition and work capacity of cosmonauts under conditions of orbital flight

SOURCE: AN SSSR. Otdeleniye biologicheskikh nauk. Problemy kosmicheskoy biologii, v. 4, 1965, 227-236

TOPIC TAGS: manned spaceflight, EEG, skin, cosmonaut, space psychology, brain, biosensor, bodily fatigue, vision

ABSTRACT: This paper presents some graphic results of biomedical data from the Vostok-5 (V. E. Bykovskiy) and Vostok-6 (V. V. Tereshkova) flights. These include records of EEG's, EOG's, and skin galvanometry.

In summing up these data, the authors observed that a distinguishing feature of brain bioelectricity during the first hours and days of the flight was the increase in the index of high-frequency oscillations. No increase in the index of low-frequency oscillations was observed. Also characteristic of the initial flight period were elevated oculomotor activity and a rise in the

Card 1/2

L 14246-66

ACC NR: AT6003857

number of rapid variations in cutaneous electrical resistance per unit of time. These reactions probably reflected the emotional state associated with initial flight stages. Such factors as radio communications with ground control points and between spacecraft, the reception of commands and signals, and observation of the surface of the Earth and other heavenly bodies act as powerful stimuli eliciting a high level of psychoemotional reactions.

The process of adaptation to flight conditions was reflected in EOG and skin galvanometric indices, in that oculomotor activity and the mean number of rapid variations in the skin galvanic reaction showed significant decreases.

It is felt that the EEG, EOG, and skin galvanometric data from Vostok-5 and -6 reflected the psychoemotional adaptation of Bykovskiy and Tereshkova to prolonged spaceflight. EEG changes and a sharp decrease in oculomotor activity can act as prognostic indices of progressive fatigue. EOG data can be used to judge the effect of weightlessness on the function of the vestibular analyzer. However, it is noted that changes in all of the indices during the spaceflight did not correspond to subjective feelings of fatigue, vestibular

symptoms, or a noticeable decrease in working ability. Orig. art. has:
3 figures. [ATD PRESS: 4091-F]

SUB CODE: 06 / SUBM DATE: none / ORIG REF: 012 / CTH REF: 003

Card 2/2
FW

NIKOLAYEVA, M.M.; LOZOVSKAYA, V.P.; TOKIN, A.N.; SHIRYAYEV, V.F.;
IZOSIMOV, L.I.; NESTEROV, A.D., elektromekhanik

From the editor's mail. Avtom., telem.i sviaz' 7 no.3:44 Mr
'63. (MIRA 16:2)

1. Starshiye elektromekhaniki stantsii Leningrad-Passazhirskiy Moskovskoy distantzii signalizatsii i svyazi Oktyabr'skoy dorogi (for Nikolayeva, Lozovskaya, Tokin, Shiryayev).
2. Starshiy elektromekhanik Stryyskoy distantzii signalizatsii i svyazi L'vovskoy dorogi (for Izosimov). 3. Balashovskaya distantziya signalizatsii i svyazi Privolzhskoy dorogi (for Nesterov).
(Railroads--Signaling--Centralized traffic control)

IZOSIMOV, M. Ya.

Device for measuring the wear of the contact wire. Elek. i tepl.
tiaga 5 no.3:26-27 Mr '61. (MIRA 14:6)
(Electric railroads--Wires and wiring)

VOYTSSEKHOVSKIY, B.V.; ANCHIMOV, V.A.; CLINIKOV, N.F.

Possible use of pulsating jets for the breaking down of rocks.
Izv. Sib. otd. AN SSSR no.9:117-120 '62. (MIRA 17:8)

1. Institut gidrodinamiki Sibirskogo otdeleniya AN SSSR,
Novosibirsk.

IZOSIMOV, V.V.

Studies on a new analgesic promedol in surgical practice. Klin. med.,
Moskva 30 no.8:63-65 Aug 1952. (CLML 23:2)

1. Sixth Course Student. 2. Of the Faculty Surgical Clinic (Director ---
Prof. B. V. Petrovskiy) of the Pediatric Faculty of Second Moscow Medical
Institute imeni I. V. Stalin.

IZOSIMOV, V.V.

Origin of Lumbriculidae in Lake Baikal. Uch.zap.Kaz.un. 120
no.6:96-111 '60. (MIRA 16:2)
(Baikal, Lake--Oligochaeta)

IZOSIMOV, Yu.A.

Problems for students. Problems given at the seventh mathematical
contest in Astrakhan. Mat. v shkole no.5:95 S-O '58. (MIRA 11:10)
(Astrakhan--Mathematics--Competitions)

IZOSINOVA, Sh. S.: Master Med Sci (diss) -- "The micromorphology of the receptor innervation of the periosteum of the upper extremities in man". Kazan', 1958. 9 pp (Kazan' State Med Inst), 200 copies (KL, No 6, 1959, 143)

S/058/61/000/007/023/086
A001/A101

AUTHORS: Stolov, A.L., Izosimova, S.V.

TITLE: Investigation of spectrum of an underwater arc

PERIODICAL: Referativnyy zhurnal. Fizika, no. 7, 1961, 138, abstract 7V286
("Dokl. Mezhvuz. nauchn. konferentsii po spektroskopii i spektr.
analizu". Tomsk, Tomskiy un-t, 1960, 64 - 65)

TEXT: It is established that in underwater arc spectrum a considerable enhancement of lines of ions is observed, which takes place because of the rise of plasma temperature. The peculiarities observed can be explained by the increasing specific power of the underwater discharge which burns, at equal other conditions (amplitude value and duration of current pulses), at considerably smaller interelectrode gaps than discharge in air. The proposed interpretation of underwater arc peculiarities is supported by observations of spectra of an arc burning in CCl_4 in which a sharp enhancement of the lines of ions is also noted.

M. Britske

[Abstracter's note: Complete translation]

Card 1/1

IZOSOV, A.A.

Distribution and
and of other cells of Kur
no.11:47-50 '51.

... Kur...
... Kur...
(L.A. 1941)

1. Kur...
(Kur...)

... Kur...
(Kur...)

IZOTOV, A. A.

Izotov, A. A. "Determination of the dimensions of the earth for USSR geodetic works," Sbornik nauch.-tekhn. i proizvod. statey po geodezii, kartografii, topografii, aeros'yenke i gravimetrii, Issue 20, 1948, p. 3-46

SO: U-2888, Letopis Zhurnal'nykh Statey, No. 1, 1949

IZOTOV, A. A.

Izotov, A. A. - "The development of geodetic science during the years of Soviet power", Sbornik nauch.-tekhn. i priozvod. statey po geodezii, kartografii, topografii, aeras"yemke i gravimetrii, Issue 21, 1948, p. 19-35.

SO: U-4110, 17 July 53, (Letopis 'Zhurnal 'nykh Statey, No. 19, 1949).

IZOTOV, A. A.

21369 IZOTOV, A. A. Razmery zemnogo ellipsoida po novym dannym. Trudy vtorogo vsesoyuz. Geogr. S"ezda. T. III. M., 1949, S. 7-25.

SO: Ietopis' Zhurnal'nykh Statey, No. 29, Moskva, 1949.

IZOTOV, A.A.

USSR/Geography - Cartography

Feb 50

"Review of 'Works of the Second All-Union Geographical Congress,'" V. A. Perevalov

"Priroda" No 2, pp 84, 85

Subject works deal with mathematical geography and cartography, biogeography, history of geographical science, and the works of the section of ethnography, anthropology, and folklore. A. A. Izotov, in his paper, "Dimensions of the Terrestrial Ellipsoid According to New Data," states that the ellipsoid used for geodetic and cartographic works in the USSR has an equatorial semiaxis of 6,378.245 km and a flattening of $1/298.3$.
219158

IVANOV, A. I.

Earth - Figure

Research of Soviet geodesists to determine the shape and dimensions of the earth. Izv. AN SSSR Ser. geog. no. 3:52-53 '52

9. Monthly List of Russian Accessions, Library of Congress, July 1953, Uncl.

KRASOVSKIY, F. N.; IZOTOV, A. A.

Earth - Figure

Determination of the form and size of the earth by
F. N. Krasovskiy, and A. A. Izotov. A. V. Gedymin.
Geog. v shkole, No. 4, 1952

9. Monthly List of Russian Accessions, Library of Congress, October 1953, Uncl.

IZOTOV, A.A.; PELLINEN, L.P.; RYTOV, A.V., redaktor; YOMAR'KOVA, L.M.,
redaktor; KUZ'MIN, G.M., tekhnicheskii redaktor

[Research in terrestrial refraction and geodetic leveling
methods] Issledovaniia zemnoi refraktsii i metodov geodezi-
cheskogo nivelirovaniia. Moskva, Izd-vo geodesicheskoi lit-
ry, 1955. 175 p. (Moscow. Tsentral'nyi nauchno-issledovatel'-
skii institut geodezii, aerofotogrammetrii i kartografii. Trudy, no.
102) (MIRA 8:9)

(Leveling) (Refraction, Terrestrial)

SUDAKOV, S.G.; ALKSAANDROV, T.F.; YELISEYEV, S.V.; IZOL'OV, A.A.; KUZ'MIN, B.S.; LARIN, D.A.; LITYINOV, B.A.; MOLODENSKIY, M.S.; POVALYAYEV, P.I.; RYTOV, A.V.; TIMOFEYEV, A.A.; TOMILIN, A.F.; SHISHKIN, V.N. KUZ'MIN, G.M., tekhnicheskiy redakter.

[Triangulation on the 1,2,3 and 4 order] Instruktsiya po triangulatsii 1,2,3 i 4 klassev. Moskva, Izd-vo geodesicheskoi lit-ry, 1956. 307 p. (MIRA 9:5)

1. Russia (1923- U.S.S.R.) Glavnoye upravleniye geodesii i kartografi. (Triangulation)

IZOTOV, A.A., doktor tekhnicheskikh nauk.

Pranis-Pranevich's method for adjusting astronomic geodetic nets.
Geod. i kart. no.9:10-20 N '56. (MIRA 10:1)
(Geodesy)

"The Contemporary Status and Task of Studying the Shape of the Earth," by Prof. A. A. Izotov, Doctor of Technical Sciences, Geodeziya i Kartografiya, No 10, Dec 56, pp 3-13

The knowledge of the shape and dimensions of the earth and its total gravimetric field is of very great importance in the solution of scientific and practical problems of higher geodesy, astronomy, and geophysics.

Accurate data on the shape and outer gravitational field of the earth are needed in engineering and technical calculations for the creation of an earth satellite and for its use for scientific and practical purposes.

A study of only the most important results of the determination of the shape and dimensions of the earth for the last 10-15 years is presented.

S.M. 1305

One of the important works in this connection is the investigation of the Central Scientific-Research Institute of Geodesy, Aerial Surveying, and Cartography (TsNIIGAIK) in analyzing the results of the measurement of the earth ellipsoid for the geodetic work of the USSR. These results were set forth by the author in "The Shape and Dimensions of the Earth According to Contemporary Data," Trudy Tsent. Nauchno-Issledov. i-ta Geodezii, Aeros'emki i Kartografii, Issue 73, 1950. Accepted geometric principles were used in this investigation, but with several refinements, including a special method for the construction of the angular degrees of measurements and the introduction of gravimetric or isostatic reductions. The angular degrees of measurements and a gravimetric survey of the USSR based on conditions in 1939, as well as the angular degrees of measurements of Western Europe and the US, served as the basic material for the studies. From this work, in 1940, came Krasovskiy's terrestrial ellipsoid, accepted since 1946 as compulsory in all Soviet geodetic work, and later in the geodetic work of the Peoples Democracies.

SUM. 1305

D. D. Kolkov, under the author's direction, carried out a new treatment of the angular degrees of measurement of the US and linked these with southern Canada in evolving a basis for the development of the terrestrial ellipsoid for North America.

One of the most important determinations of the shape of the earth and the external gravitational field is the study of I. D. Zhongolovich, "External Gravitational Field of the Earth and the Fundamental Constants Connected with Them," Trudy I-ta Teoretich, Astronomii Akademii Nauk USSR, Issue III, 1952, which used and carefully reworked almost all available materials of world gravimetric surveys (about 26,000 magnetic points).

64M.1305

M. S. Molodenskiy worked out a new method of determining the shape, dimensions, and gravitational field by means of the joint use of astrogeodetic and gravimetric measurements. This was based on the location of anomalies of the curves of the geoid and anomalies of the force of gravity in a series conforming to spherical functions. Applying this method and using the angular degrees of measurements of the USSR, western Europe, India, and the US, and also materials of the world gravimetric survey, M. I. Yurkin and V. F. Yeremeyev carried this work still further. They used the average curve of the geoid, and as measurements of the ellipsoid introduced for each of the enumerated angular degrees of measurements, the average anomalies of the force of gravity of the section.

References are made in the literature to 11 foreign sources, including that of an American, H. A. Lieberman, in which work on the terrestrial ellipsoid was carried out.

SUM. 1305