

ГНЕЗДИЛОВА, М.Г.

STAVSKAYA, Ye.Ya.; GNEZDILOVA, M.G.; ALEKSANDROVA, V.P.

Mirrors and dangers of balneotherapy in gynecology. Vop.kur.fizioter.  
i lech.fiz.kul't. 22 no.4:32-37 Sl-Ag '57. (MIRA 10:11)

1. Iz Nauchno-issledovatel'skogo bal'neologicheskogo instituta  
na Kavkazskikh Mineral'nykh Vodakh (dir. - dotsent I.S.Savoshchenko)  
(HYDROTHERAPY) (WOMEN--DISEASES)

VIRSKAYA, G.M.; AKHMEDOV, K.S.; GNEZDILOVA, R.A.

Swelling and dissolving of polyvinyl chloride powder in dichloro-  
ethane and dioxane. Uzb.khim.shur. no.6:35-39 '58.

(MIRA 12:2)

1. Sredneaziatskiy gosudarstvennyy universitet im. V.I.Lenina.  
(Ethylene) (Ethane) (Dioxane)

← GNEZDILOVA, Ye.I.; DMITRENKO, I.I.; LARIONOVA, V.S.; NAVROTSKAYA, V.S.

Characteristics of the temperature regime during dry periods in  
the steppe of the Black Sea region. Trudy OGMI no.21:21-26 '60.  
(MIRA 14:10)

(Black Sea region—Droughts)

GNEZDOV, S.V.; BIRKAN, F.R.

Equilibrium of moisture in grain. Zemledelie 4 no.11:125-126  
N '56. (MLRA 10:2)

(Grain--Storage)

GNEZDOV, Sergey Vasil'yevich; ERK, Fedor Nikolayevich; TRAK,  
Eduard Eduardovich; DMITRIYEV, N.N., red.; GHOUSHKO,  
N.G., tekhn. red.

[Mechanization of grain cleaning and drying] Mekhaniza-  
tsiya oshchistki i sushki zerna. Leningrad, Lenizdat,  
1962. 43 p. (MIRA 17:3)

KONSHINOV, I. A., SEPARATION OF IRON AND COBALT BY ION-EXCHANGE CHROMATOGRAPHY  
For Chemistry of Gorkiy State Univ. (Prof. I. L. Dubchevskiy)

"Separation of Iron and Cobalt by Ion-Exchange Chromatography"

Isotopes and Radiation in Chemistry, Collection of Papers of 2nd  
All-Union Sci. Tech. Conf. on Use of Radioactive and Stable Isotopes and  
Radiation in National Economy and Science, Moscow, Izd-vo AN SSSR, 1958, 100pp.

This volume publishes the reports of the Chemistry Section of the  
2nd All-Union Sci. Tech. Conf. on Use of Radioactive and Stable Isotopes and Radiation  
in Science and the National Economy, sponsored by Acad. Sci. USSR and Main  
Admin for Utilization of Atomic Energy under Council of Ministers USSR,  
Moscow, 4-12 April 1957.

S07/78-3-9-19/38

AUTHORS: Korshunov, I. A., Subbotina, A. I., Gnezdov, V. I.

TITLE: The Chromatographic Separation of the Ions of Iron and Cobalt  
(Khromatograficheskoye razdeleniye ionov zheleza i kobal'ta)

PERIODICAL: Zhurnal neorganicheskoy khimii, 1958, Vol 3, Nr 9, pp 2128-2130  
(USSR)

ABSTRACT: The chromatographic separation of the ions of iron and cobalt was carried out with the aid of the radioisotope of iron, Fe<sup>59</sup>, and of cobalt, Co<sup>60</sup>. The cationite KY-2 was used as absorbent. The initial solutions have a pH-value of 0,8 - 3. The elution of the iron ions was achieved by means of oxalic acid which forms an oxalate complex with iron. A separation of iron and cobalt is possible by means of the oxalic acid complex of iron. A method of producing radioactive iron oxalate was worked out. The oxalic acid solution of radioactive iron need not contain free oxalic acid.  
There are 1 figure, 1 table, and 3 references, 3 of which are Soviet.

Card 1/2

The Chromatographic Separation of the Ions of Iron and Cobalt SOV/78-3-9-19/38

ASSOCIATION: Nauchno-issledovatel'skiy institut khimii pri Gor'kovskom gosudarstvennom universitete, Laboratoriya radiokhimii (Scientific Research Institute of Chemistry at Gor'kiy State University, Laboratory of Radiochemistry)

SUBMITTED: June 8, 1957

Card 2/2



ZEMSKOV, I.F.; STEPANOV, A.S.; GNEZDOV, V.I.

Purification of lead chloride-containing water with ion exchange  
resins. Zhur.prikl.khim. 35 no.3:674-676 Mr '62. (MIRA 15:4)  
(Water--Purification) (Ion exchange resins) (Lead chloride)

GNIAZDOWSKA, J.

GNIAZDOWSKA, J. Growing of plants in river. P. 6.

Vol. 9, no. 5, May 1956  
GAXETA OBSERWATORA, P.I. H. M.  
SCIENCE  
Warszawa, Poland

So: East European Accession, Vcl. 6, no. 2, Feb. 1957

GNIAZDOWSKA, Jadwiga, mgr

Research of the State Institute of Hydrology and Meteorology in the field of river vegetation. Gosp wodna 22 no.11:523-524 N '62.

1. Zaklad Wod Plynacych, Panstwowy Instytut Hydrologiczno- Meteorologiczny, Warszawa.

GHASDOWSKA, Maria; GYNSKA, Anna

Viral myocarditis in a newborn infant. Fed. Pol. 39 no. 11:  
1981-1985 N 162

I. Z Kliniki Diagnostyki Chorob Dzieci Akademii Medycznej w  
Warszawie (Kierownik: prof. dr. med. Z. Lejmbach).

GNIAZDOWSKA, Zofia; OKMINSKA, Anna

Familial microcephaly in 2 sisters. *Pediat. Pol.* 39 no.12:  
1371-1375 D '64

1. Z Kliniki Diagnostyki Chorob Dzieci Akademii Medycznej  
w Warszawie (Kierownik: prof. dr. med. Z. Lejambach).

USSR/Soil Science - Organic Fertilizers.

J

Abs Jour : Ref Zhur Biol., No 19, 1958, 86810

Author : Gnibeda, N.

Inst : Siberian Sci. Res. Inst. of Grain Cultivation

Title : Effectiveness of Organic Mineral Fertilizers in the  
Chernozems of Omskaya Oblast

Orig Pub : S. kh. Sibiri, 1957, No 6, 42-48

Abstract : The results are presented of experiments conducted in the  
Siberian Scientific Research Institute of Grain Farming  
in which the effect of organic mineral granules on the ger-  
mination and growth of plants, the microbiological activi-  
ty of soil and crop yield were studied, also of experiments  
with organic mineral mixtures under grain crops and pota-  
toes. -- L.B.

Card 1/1

GNIDA, N.G.

Relief and Quaternary deposits of the northern slope of Besh-Mau  
in the Gissar Range. Izv.Us.fil. Geog.ob-va 1:91-104 '55.

(MLRA 10:3)

(Gissar Range--Physical geography)

GNIDENKO, P.D., polkovnik; BRYUKHANOV, Yu.A., podpolkovnik

Use of aviation in marine landing operations. Mor. sbor. 46 no.7:  
42-48 J1 '63. (MIRA 16:11)



GNIDENKO, V.M. (Moskva)

Determination of the orders of precomplete classes in three-valued logic. Probl.kib. no.8:341-346 '62. (MIRA 16:4)  
(Logic, Symbolic and mathematical)

POGREBNOY, Ya., kand.tekhn.nauk; GNISETS, B., inzh.; TSIMBROVSKIY, A., inzh.

Prestressed reinforced concrete crane girders with twisted  
clusters of reinforcement with loop anchors. Prom. stroi.  
i inzh. soor. 4 no.3:56-57 My-Je '62. (MIRA 15:7)  
(Concrete reinforcement)  
(Beams and girders)

GNIDETS, B.G., inzh.

Thin-walled precast culvert inlets. Avt. dor. 22 no.5:20-21  
My '59. (MIRA 12:8)

(Culverts)

GNIDETS, B.G.

Manufacturing precast-concrete pipe headbands in die boxes.  
Avt.dor. 25 no.12:24 and 28 D '62. (MIRA 16:2)  
(Precast concrete construction)

GNIDETS, I.R., kandidat farmatsevticheskikh nauk; KARPENKO, G.A., dotsent, zaveduyushchiy Kafedry tekhnologii lekartstvennykh form i galenovykh preparatov L'vovskogo meditsinskogo instituta; KUZMENKO, L.N., profesor, direktor L'vovskogo meditsinskogo instituta.

Studies on glucoside extracts from water pepper herbs. Apt.delo 2 no.2:  
41-45 Mr-Ap '53. (MLRA 6:5)

1. Kafedra tekhnologii lekarstvennykh form i galenovykh preparatov L'vovskogo meditsinskogo instituta Ministerstva zdoravookhraneniya USSR.  
(Glucosides) (Persicaria)

Gnidets, I. R.

USSR/Chemistry - Vegetable constituents

Card : 1/1 Pub. 116 - 10/20

Authors : Gnidets, I. R. and Turkevich, N. M.

Title : Glucoside of smartweed

Periodical : Ukr. khim. zhur. 20, Ed. 4, 396 - 398, 1954

Abstract : Smartweed, stabilized with alcohol vapors, was investigated to determine the chemical and medicinal values of the glucoside usually found in the weed. It was established that the semiacetal hydroxyl group, in the structure of the glucoside, is in a free, nonsubstituted state. The actual glucoside content of the weed was determined by the other number of the glucoside-containing extract. Five references: 2-USSR; 1-Ukrainina; 1-USA; 1-French (1908-1953). Table.

Institution : State Medical Institute, Lvov

Submitted : October 30, 1953

TURKEVICH, N. M.; GNIDETS, I. R.; KRYLOV, L. S.

Remarks on the new edition of the State Pharmacopoeia of the USSR,  
Apt.delo 4 no.1:45-48 Ja-P '55 (MLRA 8:4)

1. Iz L'vovskogo meditsinskogo instituta Ministerstva zdravoo-  
khraneniya SSSR.  
(PHARMACOPIA,  
in Russia, 9th edition)

GNIDETS, I.R.; PINYAZHKO, R.M.

Seventh Conference of the Lvov Province Pharmaceutical Society.  
Med.prom. 14 no.1:64 Ja '60. (MIRA 13:5)  
(LVOV--PHARMACEUTICAL SOCIETIES)



TURKEVICH, M.M. [Turkevych, M.M.]; PINYAZHKO, I.R.M.; GNIDETS', I.R.  
[Hnidets', I.R.]

Review of some pharmaceutical periodicals. Farmatsev. zhur. 15  
no.1:85-87 '60. (MIRA 14:5)

1. L'vovskoye oblastnoye nauchnoye farmatsevticheskoye obshchestvo.  
(PHARMACY---PERIODICALS)

TURKEVICH, N.M. (L'vov); PINYAZHKO, I.R.M. (L'vov); GNIDETS, I.R. (L'vov)

Activity of the Lvov Province Pharmaceutical Society. Apt. delo 10  
no.4:78080 J1-Ag '61. (MIRA 14:12)  
(LVOV--PHARMACEUTICAL SOCIETIES)

PINYAZHKO, I.R.M.; GNIDETS, I.R.; TURKOVICH, N.M.

Czech scientific pharmaceutical journals. Apt. delo 10 no.5:84-85  
S-0 '61. (MIRA 14:12)

1. L'vovskoye oblastnoye nauchnoye farmatsevticheskoye obshchestvo.  
(CZECHOSLOVAKIA--PHARMACY--PERIODICALS)

GNISETS, I.R. [Hnidets', I.R.]; VOROBIEVA, L.P. [Voroblova, L.P.];  
SENDZYUK, L.A. [Sendziuk, L.A.]

Production and analysis of a sterile solution of butadione.  
Farmatsev. zhur. 16 no.3:35-39 '61. (MIRA 14:6)

1. Kafedra tekhnologii lekarstv L'vovskogo meditsinskogo instituta,  
zaveduyushchiy kafedroy dotsent Yu.O.Karpenko.  
(PYRAZOLIDINEDIONE)

FEDORENKO, G.Ya. [Fedoronko, H.IA.]; KAPUSTYAK, S.M.; GNIDETS', I.R.  
[Hnidets', I.R.]; BOGDANOVA, N.L. [Bohdanova, N.L.]

Use of bactericidal lamps in the pharmacy practice. Farmatsev.  
zhur. 16 no.4:11-14 '61. (MIRA 17:6)

1. Kafedra tekhnologii lekarstv (zaveduyushchiy kafedroy dotsent  
Yu.O. Karpenko), kafedra mikrobiologii (zaveduyushchiy kafedroy  
dotsent M.M. Muzyka) L'vovskogo meditsinskogo instituta i Apteka  
No.1 g. L'vova (upravlyayushchaya N.L. Bogdanova [Bohdanova, N.L.]).

GNISETS, I.R. [Hnidets', I.R.]; PINYAZHKO, I.R.M., TURKEVICH, M.M.  
[Turkevych, M.M.]

Activities of the Lvov Province Scientific Pharmaceutical  
Society in 1960. Farmatsev. zhur. 16 no.4:87-90 '61.

(MIRA 17:6)

1. L'vovskoye oblastnoye nauchno-farmatsevticheskoye obshchestvo.

TURKOVICH, M. I. [Hafetskiy, M. I.] (MAYAKI, T. I. [Hafetskiy, M. I.])  
ONKIN, I. A. [Hafetskiy, M. I.]

Inter-Province Scientific Conference in Chernobyl. Pereslavl, 1981,  
19 no. 4: 77-81. (Sov. J. Nucl. Energy, Part C, Plasma Phys., 1981, 17, 11)

1. I'vovskaya i Ternopol'skaya otdeleniya Nauchnogo farmatsevti-  
cheskogo obshchestva.

SAIKOVSKAYA, Yu.R. [Saikova'ka, Yu.R.] (L'vov); ONIDETS', I.R.  
[Onidets', I.R.] (L'vov)

Study of some compositions of ingredients in medicinal  
mixtures. Farmatsov.shur. 20 no.6:81-82 '65.

(MIRA 1961)



GNIBIDENKO, G.S.

Structural position of metamorphic formations in the Chukchi  
Peninsula. Izv. AN SSSR. Ser. geol. 30 no. 10:39-44 O '65.  
(MIRA 18:12)

1. Dal'nevostochnyy geologicheskii institut, laboratoriya  
tektoniki, Vladivostok. Submitted July 5, 1964.

GNIDIN, F.

The trade-union organization of a state livestock farm. Sov.prof-  
soiuzy 3 no.4:34-37 Ap '55. (MIRA 8:5)

1. Predsedatel' rabochkoma profsoyusa molochno-myasnogo sovkhosa  
"Rostovskiy", Kagal'nitskogo rayona, Rostovskoy oblasti.  
(Stock and stockbreeding) (Trade unions)

MEDINETS, B.M.; GNIDKO, K.P.; KUDRYAVTSEV, V.I., apeteredaktor; BUDAYEVA,  
V.K., redaktor; KISINA, Ye.I., tekhnicheskly redaktor

[Opical instruments and their use in the food industry] Opticheskie  
pribory i ikh ispol'sovanie v pishchevoi promyshlennosti. Moskva,  
Pishchepromizdat, 1956. 62 p. (MLRA 10:2)  
(Optical instruments)

GNIDOVEC, Slavko (Ljubljana)

The audio-frequency track circuits. Avtomatika 3 no.5:339-340  
0 '62.

GNIDUK, B.S.

Shortcomings in the design of beer rectifying stills. Fern. 1  
spirt.prom. 30 no.8:35-37 '64. (MIRA 18:1)

1. Maloviskovskiy spirtozavod.

GNIDYUK, P.I., fel'dsher (derevnya Ostrokichevo Brestskoy oblasti).

Keeping records of children due for preventive inoculations.  
Fel'd. i akush. 23 no.10:37-38 0 '58 (MIRA 11:11)  
(OSTROKICHEVO--CHILDREN--CARE AND HYGIENE)

GNIOSH, Klemens, inż.

Technology and production organization in the hull  
machining department of the Gdansk Shipyard. Bud  
okretowe Warszawa 9 no.12:427-430 D '64.

1. Gdansk Shipyard, Gdansk.

GNIEWIEWSKI, J.

Present state of the normalization of lightning protection in Poland. p. 209.

PRZEGLAD ELEKTROTECHNICZNY. (Stowarzyszenie Elektrykow Polskich) Warszawa,  
Poland, Vol. 35, no. 5, May 1959.

Monthly list of East European Accessions (EEAI) IC, Vol. 9, no. 1, Jan. 1960.

Uncl.



GNIIEWIEWSKI, J.

Electric accidents in some European countries; results of a statistical analysis. Wlad elektrotechn 28 no.6:188-191 Je '61.

GNIEWIEWSKI, Janusz, mgr inż.

The possible forecast picture of electric power demand.  
Przegl elektrotechn 40 no.6:272-273 Je '64

1. Editor, "Przegląd Elektrotechniczny", Warsaw.

GLINSKI, S.; GNIEWIEMSKI, J.; JAKUBOWSKI, J.L.; KONCZYNSKI, E.

Seventh International Conference on Lightning Protection. Przegl  
elektrotechn 41 no.1:19-24, Ja '65.

GNIWINSKI, Czesław.

Drogi i ulice w osiedlach mieszkaniowych. Warszawa, Państwowe Wydawn. Techniczne, 1951. 28 p. (Prace Instytutu Techniki Budowlanej, nr. 87. Seria F. Drogi, autostrady i lotniska, nr. 13) /Roads and streets in residential districts. Illus./

SO: Monthly List of East European Accessions, Vol. 3, No. 2, Library of Congress, Feb. 1954, Uncl.

GNI EWINSKI, C.

Polish Technical Abst.  
No. 1 1954  
Building Industry and  
Architecture

877

(1)  
025.711/712.4.002

Gniewiński C. Roads and Public Squares, Construction and Maintenance.

„Ulice i place”. Budowa i utrzymanie. Warszawa, 1953. Wydawn. Komunk. 252 pp., 182 figs., 29 tabs.

This is the second volume of a work published in 1946 and entitled „Planning -- Roads and Public Squares”. It contains a description of the construction and maintenance of ordinary and modern improved road surfaces and of other road and public square elements (such as pavements, gateways, cycle tracks, tramway tracks). It also deals with the organisation of municipal road construction work, the „hinterland” of municipal road management, and with the maintenance of roads and public squares.

GNIEWINSKI, Z.

5491. THE DESIGN OF SELECTIVE RC AMPLIFIERS WITH  
FEEDBACK. A. Filipkowiak and Z. Gniewinski.  
Rozprawy Elektrotechn., Vol. 2, No. 7, 1979 (1980), 11 p., Polish.  
The method stresses the selectivity and stability of the  
amplifier. The bandwidth is conditioned by selective feedback in  
the form of a bridge network. It is shown that for slight detuning  
from the "quasi-resonant" frequency of the network, the amplifier  
is similar to an LC amplifier with an appropriate Q. The conditions  
of amplification and the limitation due to the large bandwidth are  
discussed. Derivation formulas are derived and illustrated by an  
example. A circuit analysis of practical bridge networks is  
given. M. W. Atkinson

OLITHOMASA, KRYSTALIN, PARACETAMOL, TOLAZEM

Role of the phenomenon of penicillin hydrolysis in biological penicillin sensitivity tests. Med. Pol. 39 no.11:1271-1280 N 1964.

J. Z. I. Kliniki Chorob Dzieci Akademii Medycznej w Poznaniu (Kierownik: prof. dr. med. T. Rafanek) i z Zakładu Medycyny Sądowej Akademii Medycznej w Poznaniu (Kierownik: doc. dr. med. E. Górczalski).

GNIEWKOWSKA, H.; KWIECINSKA, K.; MOLIER, S.; TYBOROWSKA, E.

Effect of kindergartens on health, mental development and physical efficiency of children. *Pediat Pol* 37 no.2:151-164 F '62.

1. Z Sekcji Higieny Szkolnej Kierownik: dr M. Rudolf-Skokowska  
Instytutu Matki i Dziecka Dyrektor: prof. dr med. F. Groer z Pracowni  
Teorii Wychowania Fizycznego Instytutu Naukowego Kultury Fizycznej i  
Akademii Wychowania Fizycznego Kierownik: prof. dr med. Z. Gilewicz  
i z Katedry Psychologii Wychowawczej UW Kierownik: prof. dr M. Zebrowska.

(CHILD CARE) (SCHOOLS)



SZYMANSKI, Stanislaw; SZCZERBINSKI, Wieslaw; GNIWSZEW, Irena

Influence of Quality of pine seedlings on the height growth  
and morphological differentiation of four-year-old plantations.  
Sylvan 104 no.4:17-33 Ap '60.

1. Zaklad Ogolnej Hodowli Lasu, Wyzsza Szkola Rolnicza, Poznan.

S/130/60/000/011/009/011  
A006/A001

AUTHORS: Berdyanskiy, M. G., Brodskiy, I. I., Voynov, V. P., Grilenko, B. A.,  
Griaval'd, V. A., Kryukov, G. Ya.

TITLE: Mechanization and Automation of a Core-Extractor of a Continuous  
Pipe Rolling Mill <sup>14</sup>

PERIODICAL: Metallurg, 1960, No. 11, pp. 30-33

TEXT: Information is given on the mechanized and automated operation of a core-extractor of a continuous pipe-rolling mill including the following components: a rest (Fig. 2); an automatic trolley (Fig. 3); a core-dropping machine (Fig. 4) a pipe-extractor (Fig. 5) and a pipe-dropping machine (Fig. 6). The pipes with the cores are supplied to the rest whose jaws retain the pipes during the extraction of the cores. The opening of the jaws allows the passage of the cores only. The jaws are exchangeable depending on the diameter of the core. One or two cores may be extracted. The simultaneous extraction of two cores is performed with the aid of the automatic trolley. Two tongs with jaws are opened when contacting the cores allowing the passage of the core heads which fall upon the pawl tail and disconnect it from the protuberance on the traction hook nob. ✓

Card 1/7

S/130/60/000/011/009/011

A006/A001

Mechanization and Automation of a Core-Extractor of a Continuous Pipe Rolling Mill

A spring puts the lever underneath the pawl to prevent its clutching with the aforementioned protuberance during extraction. Under the effect of its proper weight the hook is switched on. The tongs, brought together by a spring, clamp the core head and extraction is started. After completed extraction the tongs are opened and the core released. The trolley moves back to the rest. The cores are removed and rolled down into a cooling bath. After removal of the mandrels, the pipes are extracted from the rest and dropped into a housing. The information includes the detailed description of the automatic control system.

Card 2/7

S/130/60/000/011/000/011  
A006/A001

Mechanization and Automation of a Core-Extractor of a Continuous Pipe Rolling Mill

Figure 2. Rest

1 - jaws; 2 - counterweight; 3 - cams; 4 - shafts.

Figure 3. Automatic trolley

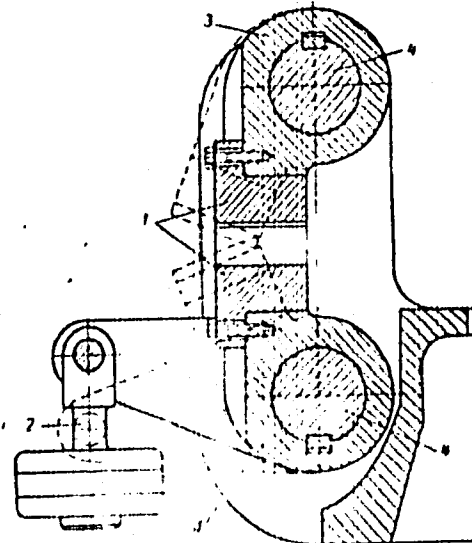
1 - tongs; 2 - jaws; 3 - pawl; 4 - traction hook; 5 - lever; 6 - springs; 7 - roller; 8 - roller of the dented section; 9 - rod; 10 - stem; 11 - hinge.

Figure 4. Core dropping device

1 - pneumatic cylinder; 2 - vertical cylinder; 3 and 5 - levers; 4 - stem.

Figure 5. Machine to extract the pipes from the rest

1 - pneumatic cylinder; 2 - flag.

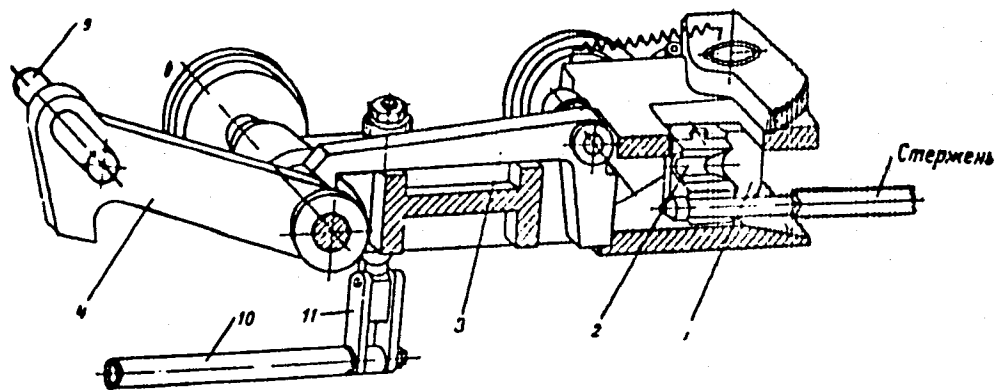


Card 3/7

S/130/60/000/011/009/011  
A006/A001

Mechanization and Automation of a Core-Extractor of a Continuous Pipe Rolling Mill

Figure 3:

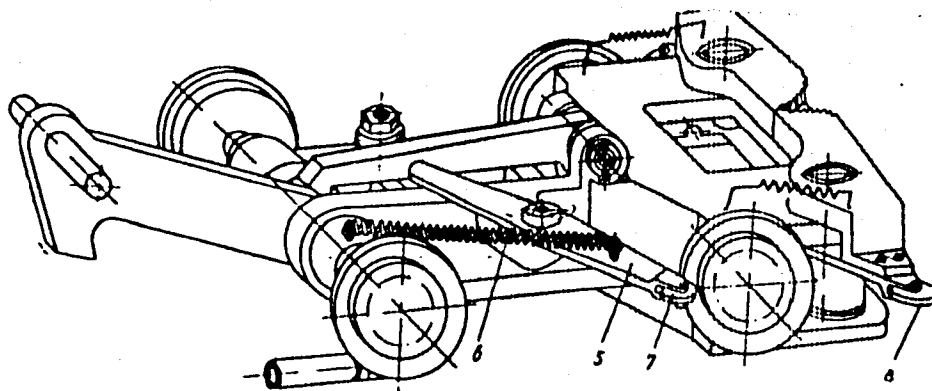


Card 4/7

S/130/60/000/011/009/011  
A006/A001

Mechanization and Automation of a Core-Extractor of a Continuous Pipe Rolling Mill

Figure 3:

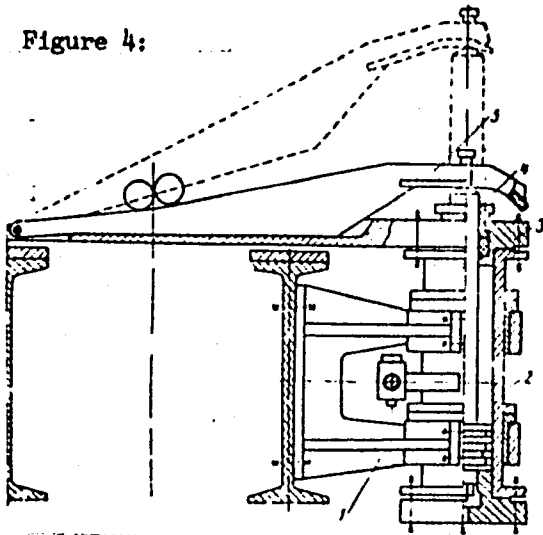


Card 5/7

S/130/60/000/011/009/011  
A006/A001

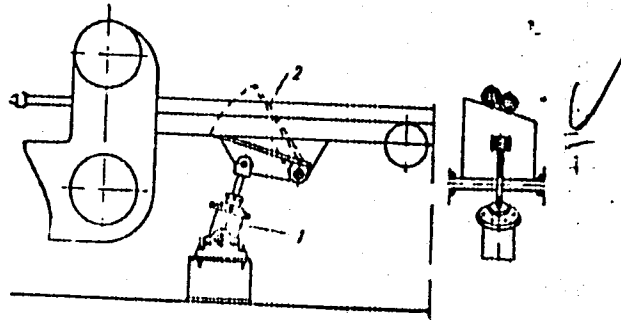
Mechanization and Automation of a Core-Extractor of a Continuous Pipe Rolling Mill

Figure 4:



Card 6/7

Figure 5:



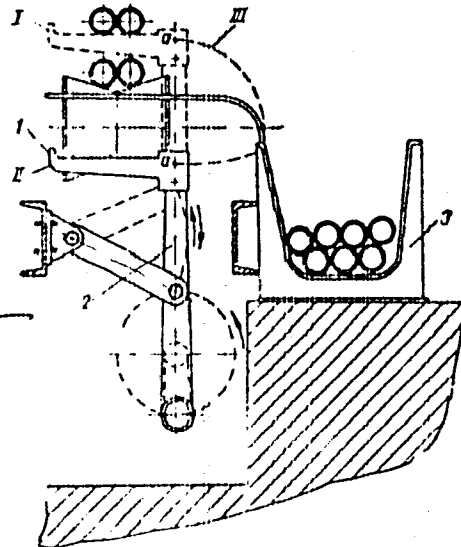
S/130/60/000/011/009/001  
A006/A001

Mechanization and Automation of a Core-Extractor of a Continuous Pipe Rolling Mill

Figure 6. Pipe dropping machine

1 - lever; 2 - connecting rod;  
3 - housing; I and II - corresponding upper and lower position of the dropping lever; III - trajectory of point "a" during operation of the device.  
There are 6 figures.

ASSOCIATION: Truboprokatny zavod im. V. I. Lenin (Pipe rolling Plant imeni V. I. Lenin)



Card 7/7



BRODSKIY, I.I., insh.; GNILENKO, B.A.; KRYUKOV, G.Ya.; MARSHAK, V.I.;  
KHODAK, I.Z.

Modernisation of a continuous pipe-rolling mill. Mekh.1 avtom.  
proisv. 14 no.1:24-26 Ja '60. (MIRA 13:5)  
(Pipe mills)

GNILENKO, N.A., gornyy inzhener.

Experience in working two pairs of stopes with one drift. Ugol'  
29 no.10:45-46 0 '54. (MLRA 7:11)

1. Shakhta no.1 "Grankovskaya" kombinata Moskvougol'.  
(Coal mines and mining)

SHIBETS, I.R. [Abstract, 1951]; *Sov. J. Chem. Phys.* (1951) 27, 1111

Ultraviolet absorption spectra of folic acid. *Fiziko-khim. Zh.*

16 no.5:4-51 1951.

(LINA 17:10)

1. L'vochniy khibitsional'nyy khibit.

~~GNILITSA, ZIENBK~~ [Gnilica, Z.]

Rolled floor coverings made in Czechoslovakia and their use in  
construction. Stroi. mat. 5 no.5:36-37 M/ '59. (MIRA 12:8)  
(Czechoslovakia--Floor coverings)

GNILICHKA, Gustav [Hnilička, Gustav]

Innovators' movement in Czechoslovakia. Sov.profsoiuzy 4 no.10:  
80-83 0 '56. (MLRA 9:11)

1. Sekretar' Tsentral'nogo soveta profsoyuzov Chekhoslovakii.  
(Czechoslovakia--Trade unions)

GNILICHKA, Gustav [Hnilička, Gustav]

Participation of Czechoslovakian workers in industrial administration.  
Vsem. prof. dvizh. no.7:44-46 J1 '58. (MIRA 11:9)

1. Sekretar' Tsentral'nogo soveta profsoyuzov Chekhoslovakii,  
chlen Generl'nogo soveta Vsemirnoy federatsii profsoyuzov.  
(Czechoslovakia--Labor and laboring classes)

GNILICHKA, Gustav [Hnilicka, Gustav]

Blood brothers. Sov. profsojuzy 18 no.6:40-41 Mr '62.

(MIRA 15:3)

1. Sekretar' Tsentral'nogo soveta profsojuzov Chekhoslovakii.  
(Russia--Foreign economic relations--Czechoslovakia)  
(Czechoslovakia--Foreign economic relations--Russia)

S/169/62/000/010/011/071  
D228/D307

AUTHORS: Gnilko, M.K. and Terekhov, B.I.

TITLE: Using magnetic properties to ascertain the age of intrusive rocks in East Sayan

PERIODICAL: Referativnyy zhurnal, Geofizika, no. 10, 1962, 13, abstract 10A83 (Byul. nauchno-tekhn. inform. M-vo geol. i okhrany nedr SSSR, no. 1 (29), 1961, 59-62)

TEXT: The magnetic properties of rocks in East Sayan are being studied for age correlation purposes. A table of the magnetic characteristics of rocks is given. The susceptibility  $\chi$  and the remanent magnetization  $I_2$  was determined by A.A. Logachev's method on M-2 (M-2) and Askania-Werke instruments. It was found that: 1) the magnitudes of  $\chi$ ,  $I_r$ , and  $I_r/I_i$  are constant for a given type of rocks of a certain age; 2) within coeval intrusions the values of  $\chi$  and  $I_r$  increases from acid to basic rocks if the value of  $I_r/I_i$  for different rock types is constant; 3) the values of  $\chi$ ,

Card 1/2



*Ceramics* (3)

Fuel Abst.  
Vol. XV, No. 2  
1954  
Industrial Furnaces,  
Kilns, etc.:  
Combustion.

**1626. GAS-FIRED CHAMBER KILNS WITH THREE FIRING  
ZONES.** Beluga, S.M., Zolotorog, A.F. and Gnilitskaya,  
T.G. (Steklo Keram. (Glass & Ceramics, Moscow),  
Mar. 1953, 17, 18).

SHELASHNIKOV, Ye.V., inzh.; GNILITSKAYA, T.G., inzh.

Ceramic pipe fittings. Khim.mashinostr. no.2123-30 Mr-Ap  
'64. (MIRA 1714)

GNILITSKAYA, Ye. V.

USSR .

✓ Rapid testing of cements. N. N. Kulshkor and Ye. V. Gnilitzkaya. *Tsiment* 20, No. 5, 22-3 (1974). — (Cement) Shapes were kept in boiling water for 7 hrs. and then allowed to cool in air for 18-20 hrs., after which they were subjected to crushing tests. The strength ( $R_7$ ) thus obtained can be converted to 28-day strength ( $R_{28}$ ) by means of a factor. In this case,  $R_7/R_{28} = 0.78$ . H. Z. Kaznch

GNILITSKIY, B.V.

Marking instruments. Izm. tekhn. no. 1:95 Ja-F '57. (MIRA 10:4)  
(Marking devices)

300 10000, B.V.  
AUTHOR: Gnilitzkiy, B.V.

1957-9 13/44

TITLE: On the Hardness Testers (O tverdomerakh)

PERIODICAL: "Izmeritel'naya Tekhnika", No 5, Sep-Oct 1957. pp 95-96 (USSR)

ABSTRACT: The article presents a general review of the availability of hardness testers to the Soviet industry. Few testers are available in the agricultural workshops and smaller plants. Recently the plants "Armalit" and "Krasnolit" began mass-production of hardness testers and made them available for plant workshops where previously only the plant laboratories had hardness testers. Many testers of foreign make are in use. However, the Soviet and foreign testers are of different designs. The Soviet "TK" testers become inaccurate after short periods of intensive use. The operators particularly in plant workshops are unfamiliar with the instrument's rules of operating and setting and often do not remove scale from a part before a test. Parts are positioned in the wrong way and thereby ruin the instrument tip. The Soviet "TM" testers too, either become easily damaged or are inaccurate in size. The master gage blocks supplied with new testers do not last long, and it is difficult to get new blocks, thus the plants try to produce new ones themselves or try to grind the worn blocks, in

Card 1/2

AUTHOR: Gnilitzkiy, B.V. SOV/115-58-1-42/50

TITLE: Temporary Laboratory Checking Work in the Retail Shops Network (Provedeniye vremennogo otdeleniya v trgovoy seti)

PERIODICAL: Izmeritel'naya tekhnika, 1958, Nr 1, pp 87 - 88 (USSR)

ABSTRACT: The author tells how the checking of scales, weights, meters, etc at village cooperative shops was organized and carried out during 1956, when the temporary inspection laboratory was stationed in the Zimovnikovskiy rayon, Rostov oblast .

1. Measurement---Equipment 2. Balances---Equipment 3. Gages  
---Calibration 4. Gages---Testing equipment

Card 1/1

SOV/115-59 -2-36/38

28(5)

AUTHOR: Gnilitskiy, B.V.

TITLE: On Checking Machines for Durability Tests (O poverke mashin dlya ispytaniy na prochnost')

PERIODICAL: Izmeritel'naya tekhnika, 1959, Nr 2, pp 60-61 (USSR)

ABSTRACT: The author feels that many of the machines currently in use for testing durability of various materials are in a bad state. A good number of them are of foreign manufacture and have been operated over a decade, in many cases, without being repaired. This is, often, because of a shortage of available spare parts and the great difficulty of producing new ones. In any case, if the machines are not located in towns with repair shops, repair brigades not infrequently turn up a year or so after being sent for. As an example, the author cites the case where, as presses for testing building materials are not on the list of equipment for compulsory checking, workers from the State Control Laboratories

Card 1/2

On Checking Machines for Durability Tests

SOV/115-59-2-36/38

are only interested in the stamp on the pressure gauge, without caring whether the gauge is functioning satisfactorily. The author recommends: fixing a wear and depreciation limit on such important parts as pistons, cylinders, working surfaces and traverses; equipment for testing the durability of building materials should be included among equipment for compulsory checking; ensure that when equipping presses with model manometers, fix a device that will eliminate any rapid drop in manometer pressure.

Card 2/2



GNILITSKIY, Ya.F.

Changing the design of gears in the feed mechanism of the  
planing-machine table. Sbor.rats.predl.vnedr.v proisv. no.5:69  
'60. (MIRA 14:8)

1. Stalinskiy metallurgicheskiy zavod.  
(Feed mechanisms)

3/081/63/000/002/057/068  
B171/B102

AUTHORS: Ptaszynski, Leszek, Gnilka, Jerzy, Chmielewska, Zofia  
TITLE: Preparation of cyclohexyl bromide  
PERIODICAL: Referativnyy zhurnal. Khimiya, no. 2, 1963, 405, abstract  
2N47 (Polish patent 44699, July 20, 1961)

TEXT: 400 ml of water are stirred and 700 g of NaBr are added to it. At 30°C, 700 g of concentrated H<sub>2</sub>SO<sub>4</sub> are poured in, and, finally, 550 g of cyclohexanol are admixed. The mixture is heated during 30 min at 70-80°C, cooled to 40°C, then 1200 g of concentrated H<sub>2</sub>SO<sub>4</sub> are added drop by drop, and the heating is resumed during ~2 hrs at 70-80°C. After cooling to 30-40°C, the mixture is poured into water; oil is separated, washed with water and dried with Na<sub>2</sub>SO<sub>4</sub>. A pure cyclohexyl bromide is separated by distillation. Its yield is 85-95%, its boiling point: 52-53°C/13 mm, 61-63°C/20 mm, 71-73°C/32 mm. The advantages of the method are: the possibility of use of a technically pure NaBr, instead of 48%-HBr; the short duration of the reaction, and the ease with which the

Card 1/2

Preparation of cyclohexyl ...

S/081/63/000/002/057/088  
B171/B102

process can be carried out on an industrial scale. [Abstracter's note:  
Complete translation.]

Card 2/2

GNILKA, Tadeusz; MACIEJEWSKI, Zdzislaw

Roentgenographic picture of the vascularization of sarcomas in an excised uterus. Gin. polska 32 no.3:305-310 '61.

i. z II Kliniki Położnictwa i Chorob Kobietych AM w Poznaniu Kie-  
rownik: doc. dr med. E. Howorka  
(SARCOMA pathol)  
(UTERUS NEOPLASMS pathol)

POLAND

GNILKA, Tadeusz, TWARDOSZ, Wladyslaw, and ADAMSKI, Cyryl;  
Second Clinic of Obstetrics and Gynecology (II Klinika Poloz-  
nictwa i Chorob Kobietych) (Director: Docent, Dr. E. HOWORKA)  
and First Surgical Clinic (I Klinika Chirurgiczna) (Director:  
Prof. Dr. St. NOWICKI), both of the AM [Akademia Medyczna,  
Medical Academy] in Poznan

"Results of Immediate and Late Surgical Treatment of Injuries  
to the Urinary Tract Following Gynecological Operations."

Warsaw, Polski Tygodnik Lekarski, Vol 18, No 32, 5 Aug 63,  
pp 1194-1196

Abstract: [Authors' English summary modified] Suture of in-  
juries to the urinary bladder or tract sustained during gyno-  
cological operations, whether performed immediately or later,  
is most successful provided care is taken to assure free pas-  
sage of urine and prevent infection. Type and manner of opera-  
tion is of significance. All 14 cases studied showed good  
results in control examination 1-5 years after operation.  
There are 13 references: One (1) Soviet, 8 Polish, 5 German,  
and 4 English.

1/1

GNILKA, Tadeusz; TWARDOSZ, Wladyslaw; ADAMSKI, Cyryl

Results of immediate and remote surgery of urological lesions following gynecological operations. Pol. tyg. lek. 18 no.32: 1194-1196 5 Ag '63.

1. Z II Kliniki Poloznictwa i Chorob Kobiecych AM w Poznaniu; kierownik: doc. dr E. Howorka i z I Kliniki Chirurgicznej AM w Poznaniu; kierownik: prof. dr St. Nowicki.

(HYSTERECTOMY) (BLADDER DISEASES) (URETER)  
(WOUNDS AND INJURIES) (VESICOVAGINAL FISTULA)  
(POSTOPERATIVE COMPLICATIONS) (IATROGENIC DISEASE)

GNILKA, Tadeusz; TWARDOSZ, Wladyslaw; ADAMSKI, Cyryl

Results of Kelly's operation in urinary incontinence in women.  
Ginek. pol. 34 no.4:502-506 '63.

1. Z II Kliniki Poloznictwa i Chorob Kobietych AM w Poznaniu  
Kierownik: prof. dr med. E. Howorka i z I Kliniki Chirurgicznej  
AM w Poznaniu Kierownik: prof. dr med. S. Nowicki.

(URINARY INCONTINENCE)  
(SURGERY, OPERATIVE)  
(GYNECOLOGY)

GNILKA, Tadeusz

Colposcopic, cytologic and histopathologic examination of the cervix uteri in early pregnancy. Ginek. Pol. 35 no. 4: 541-546 J1-Ag '88

1. Z II Kliniki Położnictwa i Chorob Kobięcych Akademii Medycznej w Poznaniu (Kierownik: prof. dr. med. E. Howorka).



GOTLBA, Helena; LISIŃSKI, Jerzy; SIEJEK, Halina

Vitamin C content in the human chorion and mature placenta.  
Ginek. Pol. 36 no.121-2 Ja '65

I. Z II Kliniki Ginekologiczno-Ginekologicznej Akademii Medycznej  
w Poznaniu (Kierownik: prof. dr. med. E. Boczarski).

TWARDOSZ, Wladyslaw; GNILKA, Tadeusz

Functional disturbances of the urinary bladder and upper urinary tracts after radical excision of genital organs in cancer of the cervix uteri. Pol. przegl. chir. 37 no.7: 689-692 J1 '65.

1. Z I Kliniki Chirurgicznej AM w Poznaniu (Kierownik: prof. dr. S. Nowicki) i z II Kliniki Położnictwa i Chorob Kobietych AM w Poznaniu (Kierownik: prof. dr. E. Howorka).

G-NILKA, W.

Polish Technical Abstracts  
No. 4, 1953  
Agriculture, Food Processing  
Industry, Forestry, Fisheries

2473 ✓  
Kuczyński A., Gnilka W. A Contribution to the Characteristics of High Sugar Content and High Yield Beets.  
„Przegląd do charakterystyki buraków wydoskonalonych i wysokoplennych”. Gazeta Cukrownicza, No. 1, 1952, pp. 41-53, 11 tabs.  
A method is given of testing high sugar content and high-yield beet. It has been confirmed that sugar beet of high sugar content have, as compared with high-yield beet, not only a higher content of sugar and a smaller amount of noxious matter, but furthermore, the pulp extracted from the former are of superior quality, and the beet purity is higher, and the quantity of sugar beet per

WILKINSON  
POLON

Determining easily soluble soil phosphorus by Beator's method as applied to mass soil tests in Polish conditions. J. Miczynski and Wl. Gnitka. *Roczniki Nauk Rolniczych, Ser. A* 68, 047-50 (1954) Summary 030(10-54).--Beator's borate method was applied to the mass detms. of readily sol. phosphates in Polish soils. The results were compared with those obtained by the Ignier-Rhiem's lactaric acid method on samples of various soils. Both methods gave closely correlated results ( $r = +0.97$  in 0.001) irrespective of soil type and its reactions. The borate method was much less costly as well as simple and rapid. The authors recommended Beator's method for mass soil tests, for use in sugar factory chem. labs., and for use by all rural labs.  
Ernest G. Jaworski

GMILOBOK, V.K.; KOROTKIKH, G.I.

Questions and answers. Zashch. rast. ot vred. i bol. 6 no.4:39-40  
Ap '61. (MIRA 15:6)

(Plants, Protection of)

GNILORYBOV, I.V., kandidat meditsinskikh nauk; PIKUS, Z., kandidat meditsinskikh nauk; BANDURISTYY, N.V., kandidat meditsinskikh nauk; OSTREYKO, V.Ye.

Expert medical determination of working capacity in osteoarticular tuberculosis. Ortop., travm. i protez. 17 no.3:36-41 My-Je '56.  
(MLRA 9:12)

1. Iz Denpropetrovskogo filiala Tsentral'nogo nauchno-issledovatel'skogo instituta ekspertizy trudosposobnosti i organizatsii truda invalidov (dir. - prof. A.P.Kotov)

(TUBERCULOSIS, OSTEOARTICULAR,  
working capacity determ. (Rus))

(WORK,  
capacity determ. in osteoarticular tuberc. (Rus))

GNILORYBOV, I.V.

Classification of methods for X-ray location of foreign bodies in  
the eye. Vest. rent. i rad. 32 no.1:11-12 supplement '57

(MLRA 10:5)

1. Iz kafedry rentgenologii i meditsinskoj radiologii Dnepropetrovskogo  
meditsinskogo instituta.

(EYE, for. bodies  
localization, x-ray methods)

GNILORYBOV, I.V., kand.med.nauk

Modification of the Comberg-Baltin and Farberov methods of roentgen localization of foreign bodies in the eye [with summary in English]. Vest.rentg. i rad. 33 no.1:45-50 Ja-F '58. (MIRA 11:4)

1. Iz kafedry rentgenologii i meditsinskoy radiologii (zav.-dots. N.P. Fedenko) Dnepropetrovskogo meditsinskogo instituta (dir.-prof. D.P. Chukhriyenko).

(EYE, for. body

x-ray localization, modification of Komberg-Baltin & Farberov methods (Bus)



GNILORYBOV, N.

Coal plows. Sov. shakh. 11 no.10:14-16 0 '62. (MIRA 15:9)  
(Coal mining machinery)

GHILORYBOV, N.A., gornyy inzh.

Results of the R.S.F.S.R. coal industry for five years of the  
seven year plan. Ugol'39 no.6:1-6 Je'64 (MIRA 17:7)

CHILORYBOV, N.A., gornyy inzh.

Measures for increasing the growth rate of labor productivity in  
R.S.F.S.R. mines. Ugol' 40 no. 6:46-50 Ja '65. (MIRA 14:7)

GNILORYBOV, P.A.

Acute intestinal obstruction. Nov. khir. arkh. no.2:135 Mr-Ap '59.  
(MIRA 12:7)

1. Kafedra gospiatal'noy khirurgii Yaroslavskogo meditsinskogo in-  
stituta.

(INTESTINES--OBSTRUCTIONS)

GNILORYBOV, T. Ye.

"Transplantation of a Testicle in a Vascular Lamb," Khirurgiya, No.1, 1948  
Chair Facultative Surgery, Dnepropetrovsk Med. Inst.

GNILORYBOV, T. Ye.

"Suture of the Abdominal Aorta and the Lower Hollow Vein in Connection  
with Arteriovenous Aneurysm," Khirurgiya, No.3, 1948

GNILORYBOV, T.E.

27975. GNILORYBOV, T. E. — Lecheniye voyenno-travmaticheskikh povrezhdeniy perifericheskikh nervov. Yubileynyy sbornik khirurg. Rabot. Posvyashch Prof. Shilovtsevu kuybyshev, 1949 S. 47-59.

SO: Letopis' Zhurnal'nykh Statey. Vol. 37, 1949.

GNILORVBOV, T. E.

23645.

PERVICHNYI SHOV PRI RANENIYAKH SFRDTSA I OTDALENNIYE REZUKVTATY. KHIRURGIYA,  
1949, No. 7, o. 72-73.

SO: LETOPIS' NO. 31, 1949



Gniloryov, T.Ye.

Transplantation of the superior mesenteric vein into the inferior vena cava in atrophic cirrhosis of the liver. *Khirurgiya, Moskva* no. 4: 11-18 Ap '50. (CML 19:2)

1. Of the Department of Faculty Surgery (Head -- Prof. T.Ye. Gniloryov), Dnepropetrovsk Medical Institute.

EXCERPTA MEDICA Sec.9 Vol.11/11 Surgery Nov 57  
ГНИЛОРИЙБОВ Г. Е.

5833. GNILORYBOV G. E. Med. Inst., Dnepropetrovsk, USSR. Transplantation of the thyroid gland with its vascular stem (Russian text) PROBL. ENDOKR. 1955, 1/3 (32-37)

An account is given of 2 cases of transplantation of the thyroid gland; in several cases the gland was taken from the dead body. It is essential to investigate the blood for compatibility. The artery of the gland was implanted in the femoral artery. Positive results of transplantation were noticed in cretins and post-operative myxoedema. The observations cover a period of from 6 months to 7 yr.

Dilman - Leningrad

GILORY BOV, T. E.

*Med*

6321. Transplantation of the thyroid gland into the vascular systems of limbs. T. E. Gilorybov *Probl. Gistol. Gorn. vol. 1955, 1, 31-37; Zhurn. 24, 1956, 1, str. No. 8, 100.*  
 Patients with clearly defined hypothyroidism (6 children 3-10 years, 5 adolescents 11-17 years and 2 male 19 and 32) were given homoplastic transplants of thyroid glands (the arteries were connected to humeral or deep femoral arteries, veins not joined up). The glands were obtained from patients with Hashimoto's disease, or from corpses, the blood groups of donor and recipient being matched. The transplants flourished and there was a considerable amelioration of the physical and mental conditions. Follow-up periods vary from 6 months to 7 years. (Russian)  
 H. S. Hanley

*Chair of Hosp. Surgery, Dnepropetrovsk. Med. Inst.*

GNILORYBOV, T.Ye professor

Skin grafting using Filatov's flap. Khirurgiia, no.4:25-29 Ap '55.  
(MLRA 8:9)

1. Zasluzhennyi deyatel' nauki USSR. Kafedra gosspital'noy khirurgii (zav. zasluzhennyi deyatel' nauki prof. T.Ye. Gailorybov) Dnepropetrovskogo meditsinskogo instituta (dir.-dotsent D.P. Chukhriyenko)  
(SKIN TRANSPLANTATION,  
Filatov's flap)