

ACCESSION NR: AP4093041

whence, using Equations (2) and (3), the following function is obtained:

$$\left(\frac{1}{E^i \zeta^i} + \frac{1}{E^i \zeta^m} \right) - \frac{1 + \zeta^i + \zeta^m}{\zeta^m - \zeta^i} \left(\frac{\zeta^m - 1}{E^i \zeta^i} - \frac{\zeta^i - 1}{E^m \zeta^m} \right) = 0. \quad (5)$$

Equations (2) and (5) provide the solution of the problem when D is given. Several particular cases are considered in the concluding section of the paper. Orig. art. has: 3 figures and 18 formulas.

ASSOCIATION: none

SUBMITTED: 01Nov63

DATE ACQ: 11May64

ENCL: 00

SUB CODE: AS, GP

NO REF SOV: 013

OTHER: 001

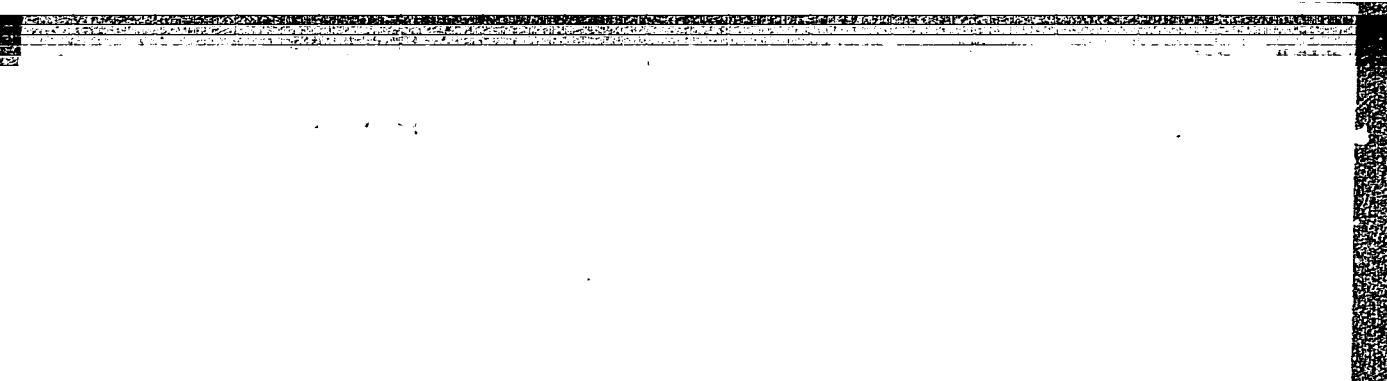
L 32884-65

ACCESSION NR: AP5005346

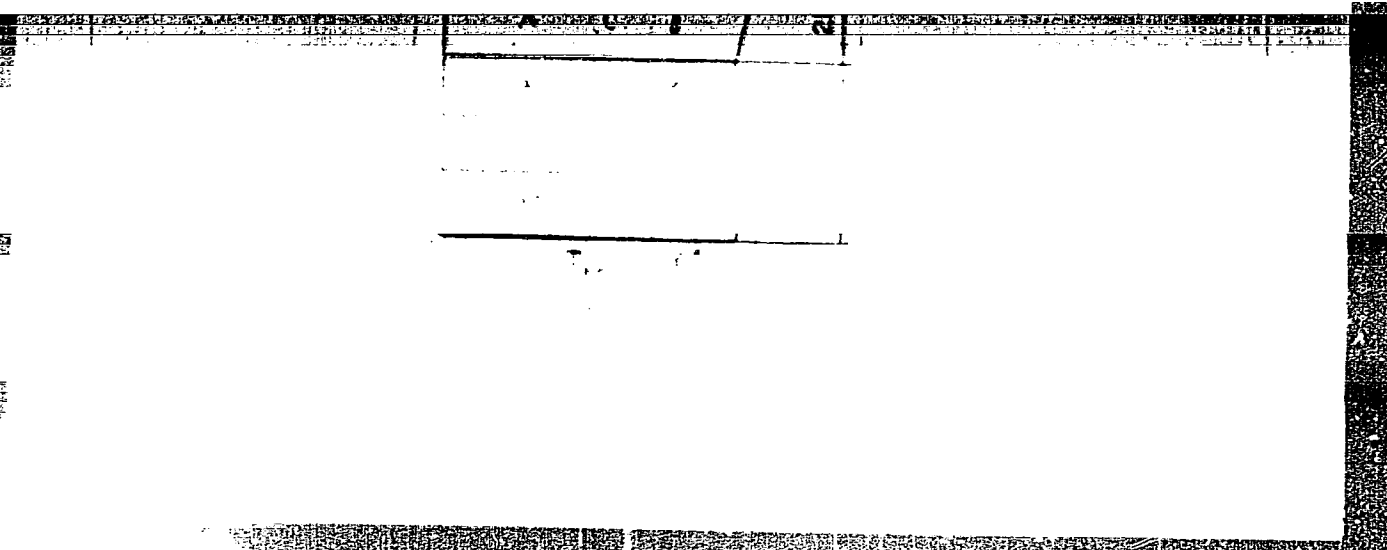
Solutions are then obtained for the following three cases: $r = 1, 1/2(p-n) \geq 0$;
 $r = 0, 1/2(p-n) \geq 1$; and $r = 1, 1/2(p-n) \leq 1$. To illustrate the analysis, a
numerical example is given, and a time vs. temperature plot is obtained throughout
the plate. Orig. art. has: 21 equations, 2 figures, and 1 table.



"APPROVED FOR RELEASE: 04/03/2001 CIA-RDP86-00513R000518420012-8



APPROVED FOR RELEASE: 04/03/2001 CIA-RDP86-00513R000518420012-8"



IL'GANOV, M.A. (Kazan'); MUSHTARI, Kh.M. (Kazan')

Temperature stability of sandwich plates with clamped edges.
Izv. AN SSSR. Mekh. no.3:145-148 My-Je '65.

(MIRA 18:7)

"APPROVED FOR RELEASE: 04/03/2001 CIA-RDP86-00513R000518420012-8

APPROVED FOR RELEASE: 04/03/2001 CIA-RDP86-00513R000518420012-8"

L 01851-67 EWI(d)/EWI(m)/EWP(w)/EWP(v)/EWP(k) IJP(c) WM/EM
ACC NR: AR6021877 (N) SOURCE CODE: UR/0124/66/000/003/B037/B037

AUTHOR: Il'gamov, M. A.

TITLE: Vibrations of cylindrical shells in a acoustic medium

SOURCE: Ref. zh. Mekhanika, Abs. 3B262

REF SOURCE: Sb. Issled. po teorii plastin i obolochek. No. 3. Kazan', Kazansk. un-t, 1965, 218-225

TOPIC TAGS: vibration, shell vibration, axisymmetric shell vibration

ABSTRACT: Forced axisymmetric vibrations of a cylindrical shell are considered with or without axial inertial forces and with a longitudinal instability of high-frequency of the combustion process. It is assumed that the edge of the flame is at the intake cross section and that hot gases are moving at a low subsonic flow along the entire length of the pipe. The wave equation for the velocity potential is solved by the method of division of variables in zero order of Bessel's function. It is considered that the acoustic impedances at the intake and exhaust end of a pipe are known. In satisfying the boundary condition on the wall of the potential in the expression for deflection, the terms describing the boundary effect are ignored. In con-

Card 1/2

L 01851-67

ACC NR: AR6021877

Considering the axial inertia forces the equation for shell vibration, the condition on the wall is satisfied on the average by the shell's length; moreover, it is shown that the axial inertial forces have no significant effect on the solution in the edge effect zone.
A. G. Gorshkov. [Translation of abstract] [AM]

SUB CODE: 20, 21/

Card 2/2-PC

ACC NR: AR6028084

SOURCE CODE: UR/0124/66/000/005/V026/V026

AUTHOR: Il'gamov, M. A.

TITLE: Axisymmetric vibrations of a cylindrical shell under the effect of pressure variations

SOURCE: Ref. zh. Mekhanika, Abs. 5V190

REF SOURCE: Sb. Issled. po teorii plastin i obolochek. No. 3. Kazan', Kazansk. un-t, 1965, 196-203

TOPIC TAGS: cylindric shell structure, vibration analysis, axisymmetric vibration, deformation, gas flow

ABSTRACT: Axisymmetric vibrations are examined with consideration of longitudinal forces of inertia of two butt-connected heterogeneous cylindrical shells within which is a unidimensional gas flow separated by a discontinuity where the temperature, pressure, etc., experience a change. On the stationary flow of the stream are superposed the longitudinal disturbances

$$P_1(\xi, t) = P_1(\xi) e^{i\Omega t}$$

where $P_1(\xi)$ is the amplitude of the pressure; Ω is the audio frequency. Examining steady vibrations of a sectional shell in the form (u, w are longitudinal and transverse vibrations of the shells)

Card 1/2

ACC NR: AR6028084

$$u_1 = U_1 e^{i\Omega t}, w_1 = W_1 e^{i\Omega t}$$

the author solves the Love-Timoshenko equations for the case of axisymmetric deformation relative to $W_1(\xi)$. The author, eliminating from the examination the boundary zones, obtains expressions for the natural vibrations of the shell and for the function $W_1(\xi)$. The resonance values of the audio frequencies of the flow and the values of the Mach numbers corresponding to the resonance vibrations of the shells and gas-air channel are determined. [Translation of abstract] L. N. Patrikeyev

SUB CODE: 20

Card 2/2

ACC NR: AP6036853

SOURCE CODE: UR/0147/66/000/004/0041/0050

AUTHOR: Il'gamov, M. A.; Kamalov, A. Z.

ORG: none

TITLE: Free and parametric vibration of an infinite cylindrical shell in an acoustic medium

SOURCE: IVUZ. Aviatsionnaya tekhnika, no. 4, 1966, 41-50

TOPIC TAGS: shell vibration, cylindric shell vibration, free vibration, parametric vibration, cylindric shell structure, acoustic field

ABSTRACT: Simultaneous vibrations of an infinite elastic cylindrical shell and of a subsonic flow of a perfect gas through the shell are discussed, neglecting the effects of the surrounding medium. The fields of acoustic pressures and velocities in the gas are determined with regard to the interaction with the walls of the elastic shell. It is assumed that the displacements in the shell and the associated disturbances of the flow parameters are so small that the equations of motion can be linearized and that the tangential inertia forces in the shell are small as compared with the corresponding elastic forces. Equations of motion, of the normal force under free vibration, and of disturbances in an in viscid fluid are used in determining the wave numbers and frequencies of longitudinal (downstream and upstream) and radial waves. The effect of rigidity of the shell on the frequency of simultaneous vibrations of the shell and gas is discussed in detail. Parametric vibrations of a cylindrical shell produced by axisymmetric waves propagating downstream from a source in infinity

Card 1/2

UDC: 539.3 + 621.454

ACC NR: AP6036853

are also discussed, and expressions for determining the regions of parametric vibrations are derived from the equation for axisymmetric acoustic pressure on the shell walls, taking into account inertial forces, and structural damping in the shell material. The effect of Coriolis forces is mentioned. Orig. art. has: 4 figures, 35 formulas, and one table.

SUB CODE: 20/ SUBM DATE: 27May65/ ORIG REF: 008/ OTH REF: 002/

Card 2/2

ACC NR: AP6036853

SOURCE CODE: UR/0147/66/000/004/0041/0050

AUTHOR: Il'gamov, M. A.; Kamalov, A. Z.

ORG: none

TITLE: Free and parametric vibration of an infinite cylindrical shell in an acoustic medium

SOURCE: IVUZ. Aviatzionnaya tekhnika, no. 4, 1966, 41-50

TOPIC TAGS: shell vibration, cylindric shell vibration, free vibration, parametric vibration, cylindric shell structure, acoustic field

ABSTRACT: Simultaneous vibrations of an infinite elastic cylindrical shell and of a subsonic flow of a perfect gas through the shell are discussed, neglecting the effects of the surrounding medium. The fields of acoustic pressures and velocities in the gas are determined with regard to the interaction with the walls of the elastic shell. It is assumed that the displacements in the shell and the associated disturbances of the flow parameters are so small that the equations of motion can be linearized and that the tangential inertia forces in the shell are small as compared with the corresponding elastic forces. Equations of motion, of the normal force under free vibration, and of disturbances in an inviscid fluid are used in determining the wave numbers and frequencies of longitudinal (downstream and upstream) and radial waves. The effect of rigidity of the shell on the frequency of simultaneous vibrations of the shell and gas is discussed in detail. Parametric vibrations of a cylindrical shell produced by axisymmetric waves propagating downstream from a source in infinity

Card 1/2

UDC: 539.3 + 621.454

ACC NR: AP6036853

are also discussed, and expressions for determining the regions of parametric vibrations are derived from the equation for axisymmetric acoustic pressure on the shell walls, taking into account inertial forces, and structural damping in the shell material. The effect of Coriolis forces is mentioned. Orig. art. has: 4 figures, 35 formulas, and one table.

SUB CODE: 20/ SUBM DATE: 27May65/ ORIG REF: 008/ OTH REF: 002/

Card 2/2

Il'gekit, F.E.

IL'GEKIT, F.E., and K.V. BAZHENOV

Osnovnye printsipy zashchity radiopriema ot pomekh, sozdavaemykh vysokochastotnymi lampovymi generatorami induktsionnogo nagreva. (Radiotekhnika, 1949, v. 4, no. 6, p. 14-23, diagra.)

Title tr.: Basic principles for protecting radio reception from interference caused by high frequency vacuum tube generators with induction heat.

TK5700.R32 1949

SO: Aeronautical Sciences and Aviation in the Soviet Union, Library of Congress, 1955.

IL'GKIT, F. E

155T95

USSR/Radio Generators, High-Frequency Nov/Dec 49
Radio Receivers

"Basic Principles of Protecting Radio Reception From Interference Set Up by High-Frequency Generators for Induction Heating," F. E. Il'gekit, K. V. Bazhenov, Engineers, 9 1/2 pp

"Radiotekhnika" No 6

Explains main causes of interference created by high-frequency oscillators for induction heating. Gives quantitative evaluation of this interference and two possible ways of coping with it. Presents recommendations on oscillator shielding and designing protective filters. Submitted 12 Sep 49.

155T95

IL'GKIT, F.E.; SHAPIRO, D.N.; FOMENKO, L.A.; KARPINSKIY, M.A.; FERSMAN, A.A.;
PEVNITSKIY, V.P. [reviewers]; LYUTOV, S.A. [author].

"Industrial interference with radio reception and its control." S.A. Ljutov.
Reviewed by F.E. Il'gkit, D.N. Shapiro, L.A. Fomenko, M.A. Karpinskiy, A.A.
Fersman, V.P. Pevnitskiy. Elektrichestvo no. 12:85-87 D '53. (MLRA 6:11)

Central Lab. for Eliminating Industrial Radio Interference
1. Tsentral'naya laboratoriya po ber'be s industrial'nymi radiopomekhami
MOSKP SSSR (for Il'gkit, Shapiro and Fomenko). 2. Leningradskiy elektre-
tekhnicheskiy institut (for Karpinskiy). 3. Leningradskoye vyssheye more-
khodnoye uchilishche (for Fersman and Pevnitskiy).
(Radio--Interference) (Ljutov, S.A.)

Il'gekit, F.E.

AID P - 604

Subject : USSR/Electricity

Card 1/1 Pub. 27 - 8/35

Authors : Il'gekit, F. E., Eng. and Zhondetskaya, O. D., Eng.,
Leningrad

Title : Centralized elimination of radio interference caused by
the electric equipment of industrial enterprises

Periodical : Elektrichestvo, 8, 44-47, Ag 1954

Abstract : The elimination is based on the increase of radio fre-
quency attenuation in the power system of the industrial
enterprise. Examples of such elimination are described.
4 drawings.

Institution : Not given

Submitted : My 6, 1954

BARKAUSAS, V., inzh.-arkhit.; ILGINIS, K., kand. tekhn. nauk;
SABALIAUSKAS, J., kand. tekhn. nauk; STANKEVICIUS, V.,
inzh.; KUOSAITE, R., red.; CECYTE, V., tekhn. red.

[Walls of dwellings; construction elements from local material
for low buildings] Gyvenamųjų namų sienos; vietinių medžiagų
konstrukcijos mazaaukštei statybai. Vilnius, Valstybinė poli-
tines ir mokslines literatūros leidykla, 1961. 81 p.

(MIRA 19:3)

1. Lietuvos TSR Mokslų akademija, Vilna. Statybos ir architektu-
ros institutas.

(Architecture, Domestic)

IL'GINIS, K. K.

Cand Tech Sci - (diss) "Study of external walls of living quarters made from concrete with organic fillers." Kaunas, 1961. 29 pp; with diagrams; with maps; (State Committee of Higher and Secondary Specialist Education of the Council of Ministers Lithuanian SSR, Kaunas Polytechnic Inst); 200 copies; free; (KL, 7-61 sup, 237)

IL'QISONIS, M.A., uchitel'

**From the experiment plot to the state farm field. Biol. v
shkole no.1:57-60 Ja-F '59. (MIRA 12:2)**

**1. Koyungskaya srednyaya shkola No.4 Batayskogo rayona Rostovskoy
oblasti.**

(Agriculture—Study and teaching)

IL'GISONIS, V. K.

PA 03/49121

Dec 48
Excavators, Belt-Laying Tractor
Part

The TE-2 High-Productivity Universal Single-Bucket
Excavator, "V.I.K., Il'Gisonis, Engg., 34 pp

Excavator "Tyazh Rabot" No 12

TE-2 universal single-bucket fully revolving excava-
tor, manufactured by Ivanovo Factory for Peat
Mach, Min of Elec Power Stations, is intended for
operations at undrained peat-bogs. First of these
machines, manufactured in 1947 - 1948, shows that
the excavator can operate in most bog areas, "

63/49121

Dec 48
(Contd)

without any mats, boards, etc., due to low ground
pressure (0.15 kg/sq cm). Its special construction,
and large tractive force. This excavator can also
be used in other branches of national economy.
Gives constructional details, graphs, table, and
illustration.

63/49121

IL'GISONIS, V. K.

Universal'nyi torfianoi ekskavator TE-2. Moskva, Gosenergoizdat, 1949. 195 p. illus.

TE-2 universal peat excavator.

DLC: TN837.I55

SO: Manufacturing and Mechanical Engineering in the Soviet Union, Library of Congress, 1953.

IL'GISONIS, V

K

N/5
662.312
.F8

Zemleroynyye Mashiny (Earth Moving Machines) by I. Ye Freynkman i V. K.
Il'Gisonis, Moskva, Mashgiz, 1951.
354 p. Illus., Diagr., Tables.

KHAMARMER, I.P.; NEPOROZHNYI, P.S., inzh., red.; IL'GISONIS, V.K.,
red.; ZABRODINA, A.A., tekhn. red.

[Operator-foreman of the Stakhanov crew of the SE-3
excavator, N.P. Kachanov] N.P. Kachanov mashinist-brigadir
Stakhanovskoi brigady ekakavatora SE-3. Leningrad, Gos-
energoizdat, 1953. 21 p. (MIRA 15:9)
(Excavating machinery)

IL'GISONIS, V.K.; GRACHEV, V.A.

Use of clamshell buckets in loading peat. Torf.prom. 31 no.6:8-11
'54. (MERA 7:9)

1. VNIITP.
(Earthmoving machinery)

IL'GISONIS, V. K.

IL'GISONIS, V. K.- "Experimintal and Theoretical Investigation of the Working Process of Two-jaw Clamshell Excavator for Peat Loading, and the Selection of their Construction and Parameters." Min of Higher Education USSR, Moscow Peat Inst. Moscow-Leningrad, 1955 (Dissertations For Degree of Candidate of Technical Sciences)

SO: Knizhnaya Letopis' No. 26, June 1955, Moscow

PODBORSKIY, Leonid Yermolayevich; IL'GISONIS, Viktor Konstantinovich;
KARMISHENSKIY, A.N., kand. tekhn. nauk, retsenzent; PETRUK,
V.Ya., kand. tekhn. nauk, red.; FOMICHEV, A.G., red. izd-va;
PETERSON, M.M., tekhn. red.

[Machines for unloading and transportation of powder materials]
Mashiny dlia razgruzki i transporta poroshkoobraznykh materialov.
Moskva, Mashgiz, 1961. 192 p. (MIRA 15:8)
(Cement—Transportation) pneumatic conveying)

IL'GISONIS, V.K., kand.tekhn.nauk; POBORSKIY, L.Ye.; kand.tekhn.nauk;
USPENSKIY, V.P., kand.tekhn.nauk

Wheel excavators for construction and working strip mines. Mekh.
stroi. 19 no.11:14-16 N '62. (MIRA 15:11)
(Excavating machinery)

GARBUZOV, Z.Ye.; IL'GISONIS, V.K.; MUTUSHEV, G.A.; NARET, G.B.;
PODBORSKIY, L.Ye., kand. tekhn. nauk; USPENSKIY, V.P.;
FEDOROV, A.P., inzh., retsenzent

[Continuous action earth-digging machines; designs and
calculations] Zemleroi nye mashiny nepreryvnogo deistviia;
konstruktsii i raschety. [By] Z.E.Garbuзов i dr. Moskva,
Mashinostroenie, 1965. 274 p. (MIRA 18:7)

(A)
ACC NR: AM5027781

Monograph

UR/

Gartuzov, Z. YE.; Il'gisonis, V. K.; Mutushev, G. A.; Naret, G. B.; Podborskiy, L. YE.
Uspenskiy, V. P.

Continuous excavating machines; design and construction (Zemleroynyye mashiny nepre-
ryvnogo deystviya; konstruktsii i raschety) Moscow, Izd-vo "Mashinostroyeniye,"
1965. 275 p. illus., biblio., tables. 3700 copies printed.

PURPOSE AND COVERAGE: The book describes the basic type of continuously operating
excavating machines, such as chain and rotor trench excavators, chain bucket
transverse excavators, open-cut excavators, elevating graders, as well as excavating
machines used in irrigation and reclamation construction. The discussion of design
includes determination of the basic parameters of machines, power values of drive
mechanisms, general statistical and dynamic calculations, and load conditions of
units and assemblies. The book is intended for engineering and technical personnel
of design offices and machine building plants. It may also be useful for students
of civil engineering and machine building. There are 54 references, of which 52
are Soviet.

TABLE OF CONTENTS [abridged]:

Introduction -- 3

Ch. I. The field of application and the classification of continuously operating
excavating machines -- 5

Card 1/2

UDC: 621.879.4.002.2

ACC NR: AN5027781

- Ch. II. Interrelationship between the operating machine and the soil — 10
- Ch. III. The drive mechanism and the automation of operating processes — 23
- Ch. IV. Conveyer installations — 33
- Ch. V. Chain trench excavators — 53
- Ch. VI. Rotary trench excavators — 97
- Ch. VII. Chain bucket transverse excavators — 134
- Ch. VIII. Rotary open-cut excavators — 156
- Ch. IX. Elevating graders — 200
- Ch. X. Continuous excavating machines for the construction of irrigation and drainage canals — 228
- Ch. XI. Different types of continuous excavators and prospects of their development — 263

Bibliography — 271

SUB CODE: 13 / SUBM DATE: 15Apr65/ ORIG REF: 052/ OTH REF: 002

Card 2/2

ILGUNAS, V. I., Cand of Phys-Math Sci -- (diss) "The problem of the magnetic dispersion of ultra sounds in electrical conducting fluids."

Vil'nyus, 1957, 16 pp (Vil'nyus State University im V. Kapsukas), 100 copies (KL, 30-57, 107)

ILGUNAS, V. I. and YARONIS, E. P.

"Investigation of Phenomena Accompanying the Propagation of Ultrasound and Methods to be used in Work in this Field: The Theory of the Interferometer"

report presented at the 6th Sci. Conference on the Application of Ultrasound in the Investigation of Matter, 3-7 Feb 1958, organized by Min. of Education RSFSR and Moscow Oblast Pedagogic Inst. im N. K. Krupskaya.

ILGUNAS, V(1)

PHASE I BOOK EXPLOITATION SOV/3352

Vserossiyskaya konferentsiya, professorov i prepodavateley pedagogicheskikh institutov.

Primeneniye ultrazvukov i k zhidkostnykh veshchestvam; trudy konferentsii, vyp. 8 (An Application of Ultrasonics in the Study of Matter; Transactions of a Conference, Nr. 8) Moscow, Izd. MOPI, 1959. 170 p. 1,000 copies printed.

Tech. Ed.: S. P. Zhitov.

PURPOSE: The book is intended for physicists, particularly those specializing in the field of ultrasonics.

COVERAGE: This is a collection of 18 articles dealing with problems of acoustics, ultrasonics, and molecular physics. References are given at the end of each article.

Kredvitskiy, A. B. Dispersion of Acoustic Waves in Rarefied Gases. Article 1. 19

Zipir, A. D., and V. P. Yakovlev. Pulse Method for Multiple Transformation of an Ultrasonic Signal in the Investigation of Liquid Media 63

Ilyumga, V., and E. Yaronis. On the Theory of Interferometers with Variable and Constant Length 67

Trelin, Yu. A. Some Results of Measurement of Ultrasonic Velocity in Gases by the Pulse Method 75

Volarevich, N. P., and D. B. Malashov. Investigation of Ultrasonic Velocity in Nitrogen UNDER Pressures up to 1050 kg/sq cm 83

Akhmatyanov, K. S., and M. G. Shirkhanian. Ultrasonic Velocity in Compressed Vapors of Ethyl Alcohol and Determination of Heat Capacities C_p and C_v 93

Perepechko, I. I. Ultrasonic Propagation in Rarefied Gases 103

Kuzhura, E. On Some Conditions for Applicability of Rayleigh's Law for Solutions 115

Shilyayev, A. A., and B. B. Kudryavtsev. Ultrasonic Velocity and Surface Tension in Ternary Liquid Systems 121

Bessonov, M. B. Measuring Ultrasonic Velocity and Absorption in Solutions at High Temperatures 137 15

43021

S/194/62/000/010/046/084
A061/A126

2/1700

AUTHORS: Ilgunas, V., Paulauskas, K.

TITLE: Effect of the design of an ultrasonic interferometer on the reaction curve quality

PERIODICAL: Referativnyy zhurnal, Avtomatika i radioelektronika, no. 10, 1962, 15 - 16, abstract 10-5-30f (in collection: Primeneniye ul'traakust. k issled. veshchestva, no. 13, M., 1961, 139 - 149)

TEXT: This is on the further development of the ultrasonic interferometer theory, which permits of doing without the simplifying assumption of the rear interferometer crystal wall being free. The electric impedance of the crystal is calculated in the presence of layers of finite thickness at either side of the crystal. It is shown that the electric impedance of the crystal can be expressed through the mechanical impedances of the boundary layers as follows:

$$Z = \frac{a^2}{4 e^2 S} \cdot (Z_{in} - Z_{ein}) ,$$

Card 1/2

Effect of the design of an ultrasonic

S/194/62/000/010/046/084
A061/A126

where Z_{ein} denotes the mechanical input impedance of the left-hand electrode layer; Z_{in} denotes the mechanical input impedance of the flowing medium layer; a is the crystal thickness; e is the piezoelectric constant, and S is the crystal area. If the holder of the emitting crystal of the interferometer increases the active crystal losses, the relative change in the impedance value $|Z\omega_0|$ of the interferometer is reduced with a reflector shift, i.e., the interferometer sensitivity becomes poorer. A rigid crystal holder essentially increases the reactive component of the mechanical impedance of the interferometer, and produces asymmetry in the reaction curve. There are 10 figures. +

Ye.A.

[Abstracter's note: Complete translation]

Card 2/2

35173

S/058/62/000/004/076/160
A058/A101

24,6710
24,1800

AUTHORS: Kukšas, B. , Ilgūnas, V, Baršauskas, K.

TITLE: On ultrasonic velocity dispersion in magnetic fields

PERIODICAL: Referativnyy zhurnal, Fizika, no. 4, 1962, 37, abstract 40313
("Kauno politechn. inst. darbai, Tr. Kaunassk. politekhn. in-ta",
1961, v. 14, no. 5, 9-17. Lith.; Russian summary)

TEXT: The authors carried out theoretical calculations of ultrasonic velocity in electricity-conducting liquids placed in a magnetic field, taking into account the thermodynamic and electric properties of these liquids. Calculations showed that viscosity and heat conductivity have but little effect on the value of ultrasonic velocity in a magnetic field as compared with the velocity in nonviscous and heat-conducting liquids. The effect of electric conductivity was evaluated. In the experimental part of their work, the authors describe measurements of ultrasonic velocity in mercury and sodium-potassium alloy (67% K) placed in a strong magnetic field (with induction of 21,000 gauss) at frequencies of 498 - 752 kc. Measurement results are shown in the form of curves. Measurements

Card 1/2

On ultrasonic velocity dispersion ...

S/058/62/000/004/076/160
A058/A101 .

were carried out by the interferometric method. The fixing of the quartz in the interferometer, the circuit of the HF generator and the measurement block diagram are shown. ✓

[Abstracter's note: Complete translation]

Card 2/2

BARSHAUSKAS, K. [Barsauskas, K.]; ILGUNAS, V.; KUBILYUNENE, O.
[Kubliuniene, O.]

Measurement of ultrasonic dispersion in liquids using the
interferometric method. Akust. zhur. 10 no.1:25-29 '64.
(MIRA 17:5)

1. Kaunasskiy politekhnicheskiy institut.

ACCESSION NR: AP4025730

S/0046/64/010/001/0054/0059

AUTHORS: Ilgunas, V.; Kubilyunene, O.; Yapertas, A.

TITLE: Precision interferometer for measuring ultrasound velocities in fluids in the frequency range 1 - 12 megacycles.

SOURCE: Akusticheskiy zhurnal, v. 10, no. 1, 1964, 54-59

TOPIC TAGS: interferometer, ultrasound velocity, crystal diameter, quartz crystal, reflector diameter, Pirs interferometer, impulse method, standing plane wave

ABSTRACT: The accuracy of velocity measurement by the described interferometer is $\pm 10^{-2}$ percent. The authors give the dependence of the measured ultrasound velocity in water on the ratio of the diameter of the crystal to the length of a sound wave in water, and also on the ratio of the reflector diameter to the wave length. They describe an interferometer of variable length, of Pirs type, with the ordinary indication (with the help of a pointer or a recording measuring device), which in accuracy not only exceeds that of an interferometer with the noted complicated means of indication but gives results close to the most perfect impulse method. Generally an interferometer is used in the presence of rather strict standing plane

Card 1/2

ACCESSION NR: AP4025730

waves with front parallel to the surfaces of the radiation crystal and the reflector. The authors touch upon the problem of using an interferometer for measuring ultrasound velocity also for lower frequencies, when there is a diffractive pattern for the sound field. The construction of this interferometer was done after thorough theoretical and experimental investigation of the oscillating properties of a crystal working in the complicated acoustical system of the interferometer. With precision interferometric measurements (with accuracy of about 0.01 percent) the true velocity of propagated plane waves is determined only when $d/\lambda \geq 50$. When $d/\lambda < 50$ it is necessary to consider the effect of diffraction on the measured value of the ultrasound velocity, and the diameter of the reflector must be of rather large dimensions in order not to multiply the diffractive effects. Verification for measured velocity values for $d/\lambda < 50$ may be determined by making measurements in undispersed fluids. When $d/\lambda < 13$ the velocity measurements cannot be made with this interferometer because of the large diffractive field distortion. Orig. art. has: 7 figures, 2 tables, and 2 formulas.

ASSOCIATION: Kaunasskiy politekhnicheskiy institut (Kaunas Polytechnical Institute)

SUBMITTED: 04Jul63

DATE ACQ: 10Apr64

ENCL: 00

SUB CODE: PH

NO REF SOV: 005

OTHER: 009

Card 2/2

ZHILINSKAS, R.P. [Zilinskas, R.]; ILGUNAS, V.I.; YARONIS, E.P. [Jaronis, E.]

Digital interferometer for ultrasonic velocity measurement.
Akust. zhur. 10 no.1:118-119 '64. (MIRA 17:5)

1. Kaunasskiy politekhnicheskiy institut.

L 36547-66 EWT(1)/EWT(m)/1/EWP(k)

ACC NR: AF6016837

(N)

SOURCE CODE: UR/0046/66/012/002/0258/0261

AUTHOR: Ilgunas, V.; Paulauskas, K.ORG: Kaunas Polytechnical Institute (Kaunasskiy politekhnicheskiy institut)TITLE: Measurement of absorption of ultrasound in liquids by means of an interferometer

SOURCE: Akusticheskiy zhurnal, v. 12, no. 2, 1966, 258-261

TOPIC TAGS: ultrasound absorption, liquid property, interferometer, acoustic measurement, acoustic speed

ABSTRACT: The authors report that they were able to increase the sensitivity of interferometric measurements of the absorption of ultrasound in liquids by using new electric supply and indication circuits, mechanical fastening of the radiating crystal, and a new reflector construction (Fig. 1). This has made it possible to develop a new method of measuring absorption of ultrasound in liquids for frequencies 1 - 15 Mcs. Simultaneously, it makes it possible to determine the velocity of sound in the investigated liquid and the coefficient of reflection of the sound waves from the reflector. The absorption was measured with a precision interferometer of the Pierce type equipped with an adjustment for the parallelism of the reflector and the crystal, which radiated directly into the liquid. The theory of

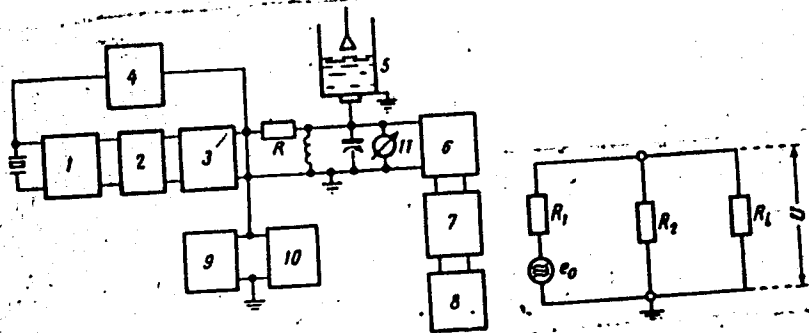
Card 1/3

UDC: 534.286: 532

L 36547-66

ACC NR: AF6016837

Fig. 1. Block diagram of setup (left) and equivalent circuit (right). 1 - Quartz generator, 2 - broad-band amplifier, 3 - high-frequency power amplifier, 4 - automatic amplitude control, 5 - interferometer chamber, 6 - cathode detector, 7 - dc amplifier, 8 - low-frequency oscilloscope, 9 - high-frequency oscilloscope, 10 - heterodyne wave meter, 11 - vacuum-tube volt meter.



the instrument and the calculation of the required corrections are briefly given. The accuracy of the method is approximately 10% at low absorption and 2.5% at high absorption. Test results are presented for water, acetone, ethyl alcohol, turpentine, carbon tetrachloride, benzene, acetic anhydride, and castor oil. Advantages claimed for the method are sensitivity adequate for the measurement of low absorp-

Card 2/3

L 36547-66

ACC NR: AF6016837

tion, simpler method of determining the absorption coefficient, and ease of adjustment of the apparatus. Orig. art. has: 3 figures, 2 formulas, and 1 table.

SUB CODE: 20/ SUBM DATE: 05Dec64/ ORIG REF: 002/ OTH REF: 002

Card 3/3 MLP

ILIADIS, S.

Some properties of absolutes. Dokl. AN SSSR 152 no.4:7)8-
800 0 '63. (MIRA 16:11)

1. Moskovskiy gosudarstvennyy universitet im. Lomonosova.
Predstavleno akademikom P.S. Aleksandrovym.

ILIADIS, S.I.

Absolutes of Hausdorff spaces. Dokl. AN SSSR 149 no. 1422-25
№ 163. (MIRA 1642)

1. Moskovskiy gosudarstvennyy universitet im. M.V. Lomonosova.
(Topology)

ILIADIS, S.

Characterization of spaces by means of H-closed extensions.

Dokl. AN SSSR 149 no.5:1015-1018 Ap '63.

(MIRA 16:5)

1. Moskovskiy gosudarstvennyy universitet im. M.V.Lomonosova.

Predstavleno akademikom F.S.Aleksandrovym.

(Topology)

GRECEANU, I.,; ILIAN, A.

Biological aspects of the relations between *Penicillium chloroleucon* Biourge 286 and *Bacillus paracoli* in combined culture. Stud. cercet. inframicrobiol., Bucur. 6 no.1-2:257-276 Jan-June 55.

(*PARACOLOBACTRUM*

coliforme, relation to *Penicillium chloroleucon* Biourge 286 in combined cultures)

(*PENICILLIUM*

chloroleucon Biourge 286, relation to *Paracolobactrum coliforme* in combined cultures)

ILIAN, A.; RADULESCU, S.

"Variability of penicillin-producing molds."

p. 166 (Revista De Chimie) Vol. 7, no. 3, Mar. 1956
Bucharest, Rumania

SO: Monthly Index of East European Accessions (EEAI) LC. Vol. 7, no. 4,
April 1958

ILIAN, ALICE

H-17

RUMANIA / Chemical Technology, Chemical Products and Their Application, Part 3.-
Drugs, Vitamins, Antibiotics.

Abs Jour : Ref Zhur - Khim., No 14, 1958, No 47777

Author : M. Sternberg, B. Benis, A. Solomon, Renee Ghimpu, Luliana Comu, A. Miss,
I. Andronic, Ciocanlea, A. Prialnic, Alice Ilian, Hermia Schreiber.

Title : Dicillin (Dipenicillinate of N,N'-Dibenzylethylenediamine).

Orig Pub : Rev. chin., 1957, 8, No 5, 339 - 341

Abstract : Methods of N,N'-dibenzylethylenediamine dipenicillinate preparation of
crystalline penicillin G or various intermediate phases of its extrac-
tion or purification are described. Hints concerning the preparation of
some Galenic forms (tablets and injection suspensions) and the methods
of chemical and microbiological analyses are presented.

ILIAN, H.

RUMANIA/Chemical Technology - Chemical Products and Their Applications - Drugs, Vitamins, Antibiotics. H.

Abs Jour : Ref Zhur - Khimiya, No 11, 1958, 37202

Author : Miss, A., Greceanu, I., Andronic, I., Ilian A,
Schreiber, H.

Inst : -

Title : New Type of Procaine-Penicillin for Injections.

Orig Pub : Rev Chim, 1957, 8, No 5, 343-344

Abstract : A new type of procaine-penicillin for injections was obtained by means of introduction of procaine solution into a flask filled with the ready-for-use penicillin. Control methods for determination of toxicity and sterility have been established.

Card 1/1

RUMANIA/Microbiology - Microorganisms Pathogenic to Humans and Animals F-3

Abs Jour: Ref Zhur - Biol., No 18, 1958, 81503

Author : Zilisteanu, C., Combiescu, C., Ilian, I., Gorun, V.

Inst : -

Title : A Study of Efficacy of Nutrient Medium with Sodium Selenite to Isolate Typhoid Fever Bacillus.

Orig Pub: Rev. microbiol., parazitol, si epidemiol., 1956, 1, No.2, 79-85, 3, 6, 9, 12

Abstract: A study was conducted of media enriched with 0.2 and 0.4% sodium selenite, Muller-Kaufman medium (MK), and broth with 1% boric acid, together with direct inoculation on a Wilson-

Card 1/3

RUMANIA/Microbiology - Microorganisms Pathogenic to Humans and Animals F-3

Abs Jour: Ref Zhur - Biol., No 18, 1958, 81503

Blair (WB) medium. Tests were conducted on 194 samples of feces of typhoid or suspected typhoid and on 33 samples of recuperative or bacteria-isolating patients. Inoculations from enriched media were made 18-20, 48 hours, and 7 days after cultivation. In 51 positive cases, inoculations from MK medium were made in 5-8 hours. Altogether 90 positive results were obtained; from the medium with 0.4% sodium selenite, positive results were obtained in 91.1% of cases; from the medium with 0.2% sodium selenite in 87.7%, from MK medium in 74.4%, and from broth in 57.7%. Inoculation directly on WB medium produced 86.6% viability. Optimal period for cultivation on MK medium was 5-8 hours, on other enriched media 18-20 hours. The authors recommend inoculation on media

Card 2.3

USSR/Microbiology - Microorganisms Pathogenic to Humans and Animals F-3

Abs Jour: Ref Zhur - Biol., No 18, 1958, 81503

APPROVED FOR RELEASE: 04/03/2001 CIA-RDP86-00513R000518420012
on Istrati-Meytert bile agar. If an inoculation is made directly on WB medium, 96.6% of positive results possible can be obtained. --
A.M. Gruzman

Card 3/3

RUMANIA / Microbiology. Microorganisms Pathogenic to Humans and F-5
Animals.

Abs Jour : Ref Zhur - Biol., No 20, 1958, No. 90969

Author : Gold, E.; Ilian, I.

Inst : Not given

Title : Hemagglutination with Botulinus Toxin

Orig Pub : Microbiol., parazitol. si epidemiol., 1957, 2, No 3,
237-245 (Rumanian; res. Russ., Fr., Eng., Ger.)

Abstract : Botulinus toxin type A evoked hemagglutination, and the
toxoid did not; therefore RHA must be utilized as a
control in the process of rendering this toxin harmless
with the aid of formalin. An attempt to utilize this
reaction of delayed hemagglutination for titration of
specific sera was undertaken. The authors consider that
RHA could be applied for a control of nutritive products or
pathogenic material for botulinus toxin with subsequent

Card 1/2

ILIAS, F.

ILIAS, F. Otto Herman, p. 83.

Vol. 8, no. 2, Feb. 1956.

AGRARTUDOMANY.

AGRICULTURE

Budapest, Hungary

So: East European Accession, Vol. 6, No. 5, May 1957

MARIAN, I., ing., candidat in stiinta tehnice; ILIAS, N., ing.

Comparative study of the different cutter bits used on coal cutting machines and outter loaders at the Jiu Valley mines. Rev min 15 no.9:449-455 S '64.

ILIASSICH, Spartaco, ing.

Some welding problems in shipbuilding. I. Deformations and latent stresses. Brodogradnja 6 no.3:109-120 '55.

ILIASZ, Dimitrisz, egyetemi adjunktus

Strength tests on grinding tools. Gep 16 no.11:446-450 N '64.

1. Chair of Machine Building Technology (Head: Professor
Dr. Ferenc Lettner), Budapest Technical University.

ROLSKI, Stanislaw; ZDUNSKA, Alina; ILIASZENKO, Janina; OSICKA, Anna

New method for the isolation of L-leucine from protein hydrolysates. Acta Pol. pharm. 22 no.3:233-236 '65.

1. Z Zakladu Chemii Farmaceutycznej Akademii Medycznej w Warszawie (Kierownik: prof. dr. St. Rolski).

ODYNAPS, R.N.; STESHENKO, V.M.; VALUYSKIY, P.P.; ILIBZOVA, Ye.P.

Effect of stable strontium isotopes on the sheep organism.
Izv.AN Kir.SSR. Ser.biol.nauk 1 no.1:93-117 '59.

(MIRA 13:6)

(STRONTIUM--ISOTOPES)

(SHEEP--PHYSIOLOGY)

ILIBZOVA, Ye.P.; ODYNETS, R.N.

Effect of strontium on cobalt, copper, calcium, phosphorus, and
chlorine metabolism in sheep. Izv. AN Kir. SSR Ser. biol. nauk
2 no.5:29-39 1960. (MIRA 14:6)

(SHEEP—PHYSIOLOGY)

(MINERAL METABOLISM)

(STRONTIUM—PHYSIOLOGICAL EFFECT)

ODYNETS, R.N.; ILIBEZOVA, Ye.P.; PERELYGINA, V.S.

Nitrogen and carbon metabolism in sheep in case of a high strontium level in the food ration. Izv. AN Kir. SSR Ser. biol. nauk 2 no.5: 41-45 '60. (MIRA 14:6)

(SHEEP--PHYSIOLOGY) (STRONTIUM--PHYSIOLOGICAL EFFECT)
(THYROID GLAND)

ODYNETS, R.N.; ILIBEZOVA, I.P.; STESHENKO, V.M.; VALYUSKIY, P.P.

Effect of chalk and sodium bicarbonate on strontium deposition in
the organs and tissues of sheep. Izv. AN Kir. SSR Ser. biol. nauk
2 no. 5153-67 '60. (MIRA 14:6)

(SHEEP—PHYSIOLOGY) (STRONTIUM IN THE BODY)
(CALCIUM—PHYSIOLOGICAL EFFECT) (SODIUM—PHYSIOLOGICAL EFFECT)

ILIBEZOVA, YE.P., ODINETS, R.N. (USSR)

"Some Questions of Strontium Metabolism in Sheep."

Report Presented at the 5th Int'l. Biochemistry Congress,
Moscow, 10-16 Aug. 1961.

ODYNETS, R.N.; STESHENKO, V.M.; ILIBKOVA, Ye.P.; VALUYSKIY, P.P.

Strontium as a goitrogenic factor. Izv. AN Kir. SSR. Ser. biol. nauk
3 no.2:33-41 '61. (MIRA 14:12)
(STRONTIUM PHYSIOLOGICAL EFFECT) (GOITER)

ODYNETS, R.N.; STESHENKO, V.M.; ILIBEZOVA, Ye.P.; VALYUSKIY, P.P.

Toxicity of copper to sheep. Izv. AN Kir. SSR. Ser. biol. nauk 3
no.2:43-49 '61. (MIRA 14:12)
(COPPER TOXICOLOGY) (SHEEP DISEASES AND PESTS)

ILIBEZOVA, Ye. P.

Cand Biol Sci - (diss) "Effect of strontium on the metabolism of nitrogen, carbon, calcium, phosphorus, chlorine, cobalt, and copper in growing hog lambs." Frunze, 1961. 18 pp; (Ministry of Agriculture Kirgiz SSR, Kirgiz Agricultural Inst); 200 copies; price not given; (KL, 6-61 sup, 207)

ILIC, Aleksandar

YUGOSLAVIA/Pharmacology and Toxicology. Tranquilizers

V-2

Abs Jour : Ref Zhur - Biol., No 15, 1958, No 71109

Author : Ilich Aleksandar, Morkovich Milan, Teodosiyevich Dushan
Inst : -
Title : The Treatment of Schizophrenia with Serpasil

Orig Pub : Srpski arhiv tselok. lekar., 1957, 85, No 9, 943-954

Abstract : 220 schizophrenic patients were treated with reserpine (R), sometimes in combination with electroshock. R produced a decrease of cessation of hallucinations and, in certain cases, of the autism and negativism. The best results were obtained in catatonia and depressive states. The combination with electroshock increased the effectiveness of the treatment; no complications were noticed. In patients with tuberculosis, R was improving both psychic and somatic conditions especially well. The symptoms of Parkinsonism developed in 33 patients who received only R, but were not observed even once in the combined treatment. These symptoms were remedied by artane without interrupting the treatment.

Card : 1/1

APPROVED FOR RELEASE: 04/03/2001

CIA-RDP86-00513R000518420012

YUGOSLAVIA

Aleksandar ILIC, Psychiatric Hospital (Psihijatrijska bolnica), Urad
(Upravnika) Primatius Dr Stavan JOVANOVIC, Belgrade.

"Role of the Belgrade Psychiatric Hospital in the Hundred Years of
Psychiatric Service in Serbia."

Belgrade, Srpski Arhiv za Celokupno Iekarstvo. Vol 93, No 11: Nov 62;
pp 1017-1027.

Abstract: The first impulse to establish a separate mental hospital in Serbia followed a well-publicized 1837 homicide by an insane, but political and other factors delayed opening to August 1861 with 12 patients with subsequent extremely rapid growth. Traditional overcrowding became especially critical during the Second World War when hospital became part of underground system for hiding the Jewish population from Nazis during simultaneous terrible famine and frightful mortality among patients; German occupiers once came by surprise and packed many of escapees into trucks to field gas chambers in Jajinac where everyone was killed; now the hospital is overcrowded again, hopes for expansion of means, services and facilities.

1/1

ILIC, Andelko, ing.

Fundamentals of the design of products of thermoreactive plastics.
Kem ind 9 no.8:C-42—C-47 Ag '60.

II.IC, Andelko, ing.

Some observations concerning the cooling of equipment for the injection moulding of thermoplastics. Kem ind 9 no.8:P/P-54--P/P-60 Ag '60.

1. "Chromos", Zabreb; clan Redakcionog odbora, "Prerada poliplasta"

ILIC, A., ing.

Preliminary formation of thermoreactive plastics. Kem ind 10 no.10:
343-348 0 '61.

(Plastics)

ILIC, Andelko, ing.

High-frequency preheating of thermoreactive plastics.
Kem ind 10 no.12:490-495 D '61.

ILIC, A., inz.

Reinforcement for polyester resins. Kemija
u industriji 11 no.2:70-72 '62.

VUKOVIC, B., inz.; ILIC, A., inz.

Properties and meaning of phenolaldehyde plastic. *Kemija u industriji* 11 no.7:408-411 JI '62.

BEK, Vladimir, inž.; ILIC, Andelko, inž.

Some possibilities of applying melamine molding materials
in electric industries. *Kemija u industriji* 11 no.8:501-505
'62.

1. "Rade Koncar", Zagreb (for Bek). 2. "Chromos", Zagreb
(for Ilio).

Ilic, A.

Transfer molding of thermoplastic masses. Kem ind 12 no.5:362-368
My '63.

ILIC, Anđelko, dipl. inž.

Recent developments in the field of molding phenoplastics. Kem ind
13 no.12; Suppl: Strucno-komercijalna publikacija Chromos-Katran-
Kutrilin 5/6; 1030-1032 '64.

LLIC, Antun, major, dr.

Injuries of the maxillary sinus. Voj. san . pregl., Beogr. 11 no.
3-4:89-95 Mar-Apr 54.

(MAXILLARY SINUS, wds. & inj.

*surg.)

(WOUNDS AND INJURIES

*maxillary sinus, surg.)

ILIC, Antun; RUVIĐIĆ, Rajko

Case of Rendu-Osler-Weber disease (hemorrhagic telangiectasis) with esophago-bronchial localization. Srpski arh. celok. lek. 84 no.7-8:937-940 July-Aug 56.

1. Klinika za uvo, nos i grlo Vojno-medicinske akademije u Beogradu. Macelnik: puk. doc. dr. Ante Sokcic. III Interna klinika Medicinskog fakulteta u Beogradu. Upravnik: akademik prof. dr Aleksandar Radosavljevic.

(ANGIOMATOSIS, case reports,

Rendu-Osler-Weber dis. with esophago-bronchial localization (Ser))

(ESOPHAGUS, diseases, same)

(BRONCHI, diseases, same)

ILIC, A.

YUGOSLAVIA/General Problems of Pathology - Tumors. Tumor of Ear. U.

Abs Jour : Ref Zhur - Biol., No 21, 1958, 98284

Author : Ilich, A.

Inst : -

Title : Osteoma of the Mastoid Process.

Orig Pub : Med. pregled, 1957, 10, No 5, 290-292

Abstract : Description of a case of osteoma of the left mastoid process in a 22-year-old patient. During surgery, a tumor of 2 x 2 cm, weighting 5 g, was removed. 10 months after the operation, no pathological changes were found. Tumors of this location are very rare.

Card 1/1

ILIC, Antun, sanitetski putpukovnik d-r

Our experience with tympanoplasty. Voj.san.pregl., Beogr. 17 no.7/8:
777-779 J1-Ag '60.

1. Vojnomedicinska Akademija u Beogradu, Otorinolaringoloska klinika.
(OTITIS MEDIA surg)

154
CA Lic, B.

Control of *Bruchus pisorum* with hexachlorocyclohexane
Bydinić Ilić (Inst. Protection Plant, Zenica, Yugoslavia)
Zaštita Bilja 1951, No. 5, 32 (English summary). Hexachlorocyclohexane (I) used as the con. prepns. Agroside 2 and Agroside 7 dusts, gave excellent control of *B. pisorum* on both lab. and con. scales. Agroside 2 at the levels of 1 and 2 kg./metric ton, resp., controlled *B. pisorum* completely. Agroside 7 gave excellent results, namely, 100% and 99% at 1 kg./metric ton and 100% and 98% in 2 trials at 2 kg./metric ton. Peas treated in machines used for dusting wheat with fungicides were free from insect infestation after one-month storage. Agroside kills both as a contact insecticide and as a fumigant but kills more quickly as a contact insecticide. The dosage which on contact paralyzed adults in 10-30 min. and killed in 48 hrs. required 3 days to kill as a fumigant (temps. 22 to 24°C). *Acanthoscelus obtectus* was more susceptible to I than was *B. pisorum*.
N. the M. Payne

ILIC, *Budimir*

YUGOSLAVIA / General and Special Zoology. Insects. P
Harmful Insects and Mites. Fruit and
Berry Crop Pests.

Abs Jour: Ref Zhur-Biol., No 1, 1959, 2341.

Author : ~~Illich, B.~~

Inst : Not given.

Title : The Most Dangerous Plum Pests and Possibilities of Their Control.

Orig Pub: Po oprivreda, 1957, 5, No 1, 56-58.

Abstract: No abstract.

Card 1/1

ILIC, B.

Control of insects in flour mills, p. 665

TEHNIKA (Savez inženjera i tehincara Jugoslavije) Beograd, Yugoslavia.
Vol. 14, no. 4, Apr 1959

Monthly List of East European Accessions EEAI LC, Vol 8, no 6, June 1959

Uncla.

IIIC, Budimir, dr, doc. (Zemun, Nikole Tesle 8)

The flour moth *Ephestia kühniella* Zell. Tehnika Jug 17 no.10:
Suppl.: Prehran ind 16 no.10:1973-1980 0 '62.

1. Poljoprivredni fakultet Univerziteta u Beogradu.

ILIC, Budimir, dr., Assistant professor (Zemun); SAVIC, Gradibor, ing.

Some experiences with the use of the "Phostoxine" insecticide.
Tehnika Jug 17 no.1:146-152 Ja '62.

1. Agricultural Faculty of the University of Beograd (for Ilic).
2. Vocational Adviser of the Agricultural Station at Svetosarevo (for Savic).

(Insecticides)

ILIC, B.

The struggle against soil erosion, a complex and current problem.

P. 39 (PUT I SAOBRAČAJ) (Beograd, Yugoslavia) No. 1/2, Jan./Feb. 1956

SO: Monthly Index of East European Accessions (EEAI) LC Vol. 7, No. 5. 1958

ILIC, B.

"The application of the Ansaldo-Fossati bulldozer of the TCA-70 type."

p. 13 (Put I Saobracaj) No. 4, Apr. 1957
Belgrade, Yugoslavia

SO: Monthly Index of East European Accessions (EEAI) IC. Vol. 7, no. 4,
April 1958

ILIC, B.

"The manufacture of quality concrete and the stabilization of roadway constructions by using cement emulsion with capillary air bubbles."

p. 25 (Put I Saobračaj) No. 5/6, May/June 1957
Belgrade, Yugoslavia

SO: Monthly Index of East European Accessions (EEAI) LC. Vol. 7, no. 4,
April 1958

ILIC, B.

Road connecting Prizren and Tetovo following the steep slopes of the Sar Mountains.

p. 28 (Put I Saobraćaj) No. 1/3, Jan./Mar. 1957, Belgrade, Yugoslavia

SO: MONTHLY INDEX OF EAST EUROPEAN ACCESSIONS (EEAI) LC, VOL. 7, NO. 1, JAN. 1958

ILIC, B.

"A machine for the preparation and injection of cement colloidal emulsion."

p. 33 (Put I Saobracaj) No. 5/6, May/June 1957
Belgrade, Yugoslavia

SO: Monthly Index of East European Accessions (EEAI) LC. Vol. 7, no. 4,
April 1958

IIC, Branislav

Jovanović, Milan K., and Ilić, Branislav, Graphical solution of some technologically important transcendental equations. Srpska Akad. Nauka. Zbornik Radova. Knj. 1. Mašinski Inst., Knj. 1, 43-53 (1949) (Serbian)

Source: Mathematical Reviews,

Vol 11

No. 10

(SMU) ~~SMU~~

ILIC, BRANESLAV

ILIC, Branislav. The construction of relative velocities in the plane motion of mechanisms. Srpska Akad. Nauka. Zbornik Radova, Knj. 5, Mašinski Institut, Knj. 2, 85-95 (1950). (Serbo-Croatian)

A graphical construction of the velocities of the points of a rigid rod when the velocities of the endpoints are given.

M. Golomb (Lafayette, Ind.).

5
1
00

српски
009

Source: Mathematical Reviews.

Vol. 12 No. 10

1

ILIC, B.

"Determination of instantaneous centers of rotation." p. 45. ZBORNIK RRBOM, Vol. 12,
no. 3, 1951, Beograd.)

SC: Monthly List of East European Acquisitions, Vol. 2, #3, Library of Congress
August, 1953, Uncl.

ILIC, B.

"Parabolograph." p. 23 (ZBORNIK RADOVA, Vol. 12, no. 3, 1951, Beograd, Yugoslavia)

SO: Monthly List of East European Accessions, Vol. 7, #3, Library of Congress
August, 1953, Uncl.

YUGOSLAVIA / Chemical Technology. Dyeing and Chemical Treatment of Textile. H-34

Abs Jour: Ref Zhur-Khimiya, No 23, 1958, 79940.

Author : Ilic, B.

Inst : Not given.

Title : Methods of Desizing Textile Materials.

Orig Pub: Tekstilna ind., 1957, 5, No 6-7, 208-209.

Abstract: The fermentative preparation diastophore is recommended as the desizing agent in a concentration of the solution of from 1-1.5%, and the temperature, selected experimentally.

Card 1/1

111

Ilic B.

YUGOSLAVIA / Chemical Technology. Chemical Products. H
Dyeing and Chemical Treatment of Textiles.

Abs Jour: Ref Zhur-Khimiya, 1958, No 20, 69486.

Author : Policevic M., Ilic B.
Inst : Not given.
Title : An Installation for Wool Dyeing.

Orig Pub: Tekstilna ind., 1957, 5, No 12, 421-424.

Abstract: Review of modern installations and apparata for wool dyeing. The dependency of apparata employed on the dye type and the nature of fibre (such as natural wool, artificial and synthetic fibres) is indicated. The "PAK" system for the drying of wool (including several alternates) and several other continuous installations are described.

Card 1/1