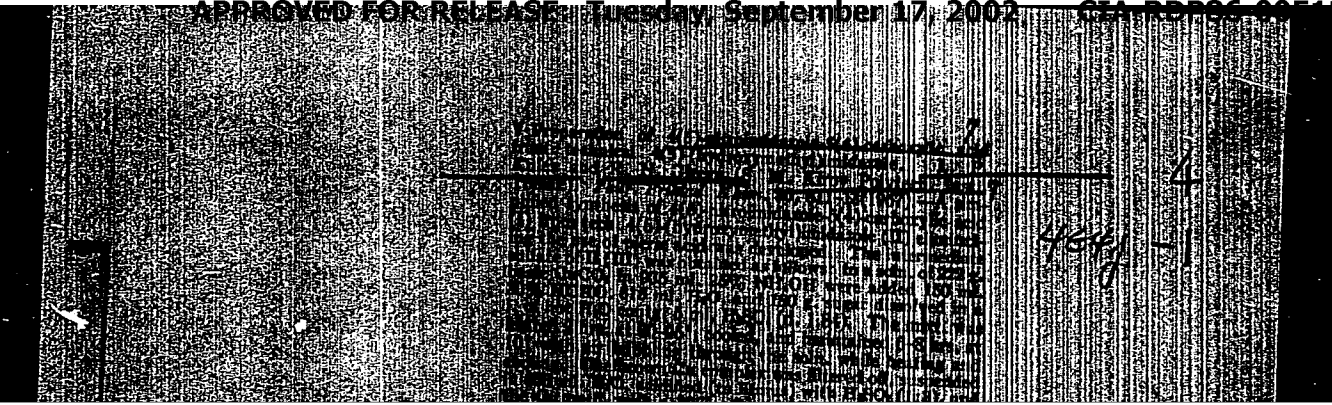


"APPROVED FOR RELEASE: Tuesday, September 17, 2002

CIA-RDP86-00513R000

~~APPROVED FOR RELEASE: Tuesday, September 17, 2002~~

~~CIA-RDP86-00513R005~~



KULEV, L.P.; GIRVA, R.M.; ITTENBERG, A.M.; BELCOMBICHTVA, Ye.S.

Diphenic acid esters and their plasticizing properties. Izv. TI
111:26-29 '61. (MIRA 16:9)

(Diphenic acid) (Plasticizers)

KULEV, L.P. [deceased]; GIREVA, R.N.; STEPNOVA, G.M.

Derivatives of 2,2'-diphenic acid. Part 1: Esters, amides, and ester-amides of diphenic acid as possible insecticides and herbicides. Zhur.ob.khim. 32 no.9:2812-2816 S '62. (MIRA 15:9)
(Diphenic acid) (Insecticides) (Herbicides)

KULEV, L.P. [deceased]; GIREVA, R.N.; STEPNOVA, G.M.

Derivatives of 2,2'-diphenic acid. Part 2: Substituted
monoamides and monoaryl esters of 2,2'-diphenic acid, and
their insecticide and herbicide activity. Zhur.ob.khim. 33
no.2:411-412 F '63. (MIRA 16:2)
(Diphenic acid)

KULEV, L.P.; GIREVA, R.N.; BEIYAYEVA, A.P.

Diphenic acid esters. Part 4: Monoaryl esters of diphenic acid and their insecticide activity. Izv. TPI 126:53-54 '64. (MIRA 18:7)

L 1928-66 EWT(1)/EWA(J)/EWT(M)/EWA(B)-2 RO/US/RM

ACC NR: AT5026043

SOURCE CODE: UR/0000/65/000/000/0300/0302

AUTHOR: Kulev, L.P. (Deceased); Gireva, R.N.; Kovalenok, A.V.; Belyayeva, A.P.

ORG: Tomsk Polytechnic Institute imeni S.M. Kirco (Tomskiy politekhnicheskij institut);
Tomsk State University (Tomskiy gosudarstvennyy universitet)

TITLE: Insecticide activity of esters of 9-fluorenone-4-carboxylic acid and their oximes

SOURCE: AN SSSR. Otdeleniye obshchey i tekhnicheskoy khimii. Biologicheskii aktivnyye soyedineniya (Biologically active compounds). Moscow, Ivd-vo Nauka, 1965, 300-302

TOPIC TAGS: insecticide, organic oxime compound, keto carboxylic acid

ABSTRACT: Phenyl esters of 9-fluorenone-4-carboxylic acid were prepared by reacting the corresponding phenol with the acid in the presence of phosphoryl chloride. Chloro-substituted ethyl esters were obtained by catalytic esterification in the presence of anhydrous metal halides. Dimethylaminoethyl esters were obtained from the acid chloride and dimethylaminoethanol. The oximes were synthesized by treating the esters with hydroxylamine in an alkaline water-alcohol solution. Tests of the insecticide activity of the compounds obtained were carried out on the housefly and the rice weevil. 1-naphthyl and 2,4-dinitrophenyl esters, and oximes of 4-nitro-, 2,4-, and 2,6-dinitrophenyl esters were the most toxic compounds. It was noted that in many cases the substitution of an oxime group for the keto group increases the insecticide activity of a compound. Orig. art. has: 1 table.

SUB CODE: CB, OC, GO / SUBM DATE: 23Sep63 / ORIG REF: 003 / OTH REF: 003

Card 1/1

0901374

GIREVA, Z.G., inzhener; DAVYDKOV, N.I., inzhener.

Investigation of wet jigging in a laboratory pistonless jigging machine.
Nauch.rab. VUGI no.9:52-67 '53. (MLRA 7:6)

1. Laboratoriya obogashcheniya ugley. (Coal washing)

GIBEVICH, I.S.

Working experience of an initial organization. Mashinostroitel'

no.11:45-46 N '58.

(MIRA 11:12)

(Efficiency, Industrial)

GIREVICH, R.I., inzh.

Preparation of anthracite coal in a water and sand suspension at
the No.1 Artem Mine. Obog.1 brik.ugl. no.27:9-18 '62.

(MIRA 17:4)

GIREYEV, G.I.

Epidemiology of hydatid echinococcosis in Daghestan. Med.paraz.
i paraz.bol. 33 no.3:352-353 My-Je '64.

(MIRA 18:2)

1. Kafedra fakul'tetskoy khirurgii Dagestanskogo meditsinskogo
instituta.

GIRFANOV, V

[Biology and cultivation of winter wheat in Bashkiria]
Biologii i voprosy kul'tury ozimoi pshenitsy v Bashkirii.
Ufa, Akad. nauk SSSR. Bashkirskii filial. Institut bio-
logii, 1958. 72 p. (MIRA 15:10)
(Bashkiria--Wheat)

GIRFANOV, V.K.

29143 O Normakh vyseva i sposobakh poseva yarovoy pshentsy. Trudy Bashkir. Nauch.-issled. polevod. Stantsii, T. III, 1948 (Kolon-Titul: 1947,) S. 162-78-Bibliogr; 10Nazv.

SO: Letopsi' Zhurnal'nykh Statey, Vol. 39, Moskov, 1949

GIRFANOV, V.K.

29142 Vliyanie plasta mnogoletnikh trav na urozhay yarovoy pshebitsy, Trudy
Bashkir. Nauch-issled. Polevod, Stantsii, T. III, 1948 (Kolon-Titul: 1947)
S. 188-95-Bibliogr: 10Nazv.

SO: Letopsi' Zhurnal'nykh Statey, Vol. 39, Moskov, 1949

~~APPROVED FOR RELEASE: Tuesday, September 17, 2002~~ ~~CIA-RDP86-00513R0005~~
GIRFANOV, V.K.

GIRFANOV, V. A. I. KARIPOV, KH. YU.

29151 Agrotckhnika semenovedstva klevera. Trudy Bashkir. Nauch.-Issled. Polev'd,
Startsii, T. III, 1948, (Kolontitul: 1947,) Ss. 250-63-Bibliogr: 9 Nazv.

SO: Letopsi' Zhurnal'nykh Statey, Vol. 39, Moskov, 1949

GIRFANOV, V.K., kandidat sel'skokhozyaystvennykh nauk.

Winter wheat in Bashkiria. Zemledelie 4 no.6:53-57 Ja '56.
(MLRA 9:8)

(Bashkiria--Wheat)

GIRENEV, V. R.

USSR/Out-Of-Country Publications - 1936-1956 N-2

Ref. No. : Gos Zh. - 2001, No. 3, 1956, 117-121

Author : Girenev, V. R., Ministry, USSR

Title : Transferring infections of spring wheat into the winter
form

Orig. Pub. : Agrobiol. Zh., 1956, No. 3, 117-121

Abstract : The experiments have been conducted since 1949 in USSR. Seedlings of the British Field Re-breedy Station. In the first year of the year the wheat soon on autumn field died and wheat on an stubble was almost completely perished. Winter wheat such biological characteristics recorded in 1950 (seed 60% of normal) in the spring. In 1951 wheat 60% changed to the old system culture (the winter wheat seedling of the winter wheat). In 1952 winter form was not a spring; the early harvest of the winter wheat seedlings has been turned in the winter wheat seedling.

000000

GAYSIN, Sh.A., kand.sel'skokhoz.nauk, otv.red.; GIRFANOV, V.K., kand.
sel'skokhoz.nauk, red.; KHANISLAMOV, M.G., red.; KHAKIMOVA,
I.V., red.; KOBYAKOV, I.A., tekhn.red.

[Problems in the productive use of natural resources of the
Bashkir segment of the Ural Mountain Region; studies by a
comprehensive expedition of the Bashkir branch of the Academy
of Sciences of the U.S.S.R.] Voprosy proizvoditel'nogo
ispol'zovaniia prirodnykh resursov Bashkirskogo Zaural'ia;
materialy kompleksnoi ekspeditsii Bashkirskogo filiala Akademii
nauk SSSR. Ufa, 1957. 89 p. (MIRA 12:5)

1. Akademiya nauk SSSR. Bashkirskiy filial, Ufa.
(Bashkiria--Natural resources)

GIRFANOV, V. K.

USSR/Cultivated Plants - Grains.

M-2

Abs Jour : Ref Zhur - Biol., No 20, 1958, 91587

Author : Girfanov, V.K., Shkurikhina, A.K.

Inst : -

Title : Selection of Crops and Varieties for the Transural Rayons of Bashkiria.

Orig Pub : V sb.: Vopr. proizvodit. ispol'sovaniya prirodn. resursov Bashkirsk. Zaural'ya. Ufa, 1957, 30-33.

Abstract : On the varieties and agrotechniques of grain crops. Regionized varieties are: rye - Saratovskany 1, Volzhanka and Kazanskaay 5 + 6; winter wheat - Ulyanovka; spring wheat - Lutescens 62, Harezniaya and Gordey-form 10; prospective ones - Lutescens 758 and Saratovskaya 29; barley - European 353/133 and Verkhnyachskiy 6; oats - Pobeda.

Card 1/1

GIRFANOV, V.K., kand. sel'skokhozyaystvennykh nauk; AKHMETSHIN, Kh.S., agronom.

Reaction of spring wheat varieties to cultivation conditions.

Zemledelie 6 no.2:28-30.'58.

(MIRA 11:3)

(Bashkiria--Wheat)

GIRFANOV, V.K., kand.sel'skokhozyaystvennykh nauk; BIGLOV, T.F.

Stage development, winter hardiness, and productivity of winter grains. Agrobiologiya no.1:107-110 Ja-F '59. (MIRA 12:4)

1. Institut biologii Bashkirskogo filiala AN SSSR, g. Ufa.
(Grain)

VAKHRUSHEV, G.V., prof. red.; GIRFANOV, V.K., kand. sel'skokhoz. nauk, zasluzhennyy deyatel' nauki BASSR, red.; KUCHEROV, Ye.V., kand. sel'skokhoz. nauk, otv. red.; KHANISLAMOV, M.G., kand. sel'skokhoz. nauk, red.; FEDORAKO, B.I., kand. sel'skokhoz. nauk, red.; POROYKOV, Yu.D., red.; KOBYAKOV, I.A., tekhn. red.

[State and problems of the protection of nature in Bashkiria; materials] Sostoianie i zadachi okhrany prirody v Bashkirii; materialy. Ufa, Akad. nauk SSSR, Bashkirskii filial, 1960. 167 p. (MIRA 14:5)

1. Nauchnaya konferentsiya po okhrane prirody Bashkirii, 1st, Ufa, 1960. 2. Zamestitel' predsedatelya Prezidiuma Bashkirskogo filiala AN SSSR (for Girfanov) J. Predsedatel' komissii po okhrane prirody Bashkirskogo filiala AN SSSR i predsedatel' respublikanskogo otdeleniya obshchestva okhrany prirody (for Kucherov)

(Bashkiria--Natural resources--Congresses)

GIRFANOV, V.K.; AKHMETSHIN, Kh.S.

Effect of cultivation practices, soil, and ecological conditions
on the yield of various spring wheat varieties. Mat. po izuch.
pochv Bash. ASSR no.1:109-137 '60. (MIRA 14:3)
(Bashkiria--Wheat)

TAYCHINOV, S.N. Prinsipal uchastiye KHAMIDULLIN, M.M.; GERANOV, ...
V.K., kand. sel'khoz. nauk, otv. red.; SIDOROV, V.V., red.

[Granular subsoil; methods of developing a deep arable layer
in the Chernozem soils of the southern cis-Ural region] Pod-
pobornaiia krunka; russkoi iazvika - mabornogo pakhoznogo aloia

GIRFANOV, V.S.

Mechanism of some complications in anesthesiology. *Tr. Kazan. univ. Ser. Med. Nauk.* 1974, 14:143-144, 144.

Role of acetylcholine in the motor population of the pallidum. *Tr. Kazan. univ. Ser. Med. Nauk.* 1974, 14:145-146.

Tr. Kazan. gos. univ. Ser. Med. Nauk. 1974, 14:145-146, 144.
kafedra Fakultetskoy kuznitsy. Kazan. - prof. V.S. Girfanov.
Kazanskoye meditsinskoye institut.

ea

11c

Protistocidal properties of egg white protein and of its lysozyme. Kh. N. Gifanowa. Doklady Akad. Nauk S.S.S.R. 68, 191-3 (1949). - The bactericidal activity of egg white protein is more highly developed than is the activity of its lysozyme. The egg yolk shows no harmful effect on *Paramecium caudatum* or *Giracoma viridians*, fresh or boiled yolk gives the same result. Boiled (denatured) egg white protein is also harmless. Fresh protein (natural state), however, kills both species readily, only a few specimens surviving for some 0.5 hr. Both species undergo lysis, with characteristic deformations of the body cell and its movements. The lysozyme from the same egg has lower bactericidal effect and the rate of killing is much lower, especially with *Giracoma*; the symptoms of death are different from those shown on exposure to the protein. Apparently the toxic principles of the 2 instances are not identical. G. M. Kozolapoff.

1987

GIFPAKVA KH.

A 172742

USSR/Medicine - Egg White Bacteriolysis 21 Oct 49

"Changes in the Bactericidal Properties of Natural Egg White and Lysozyme of Hens' Eggs During the Process of Incubation," Kh. N. Girfanova, Inst of Exptl Med, Acad Med Sci USSR

"Dok Ak Nauk SSSR" Vol LXVIII, No 6, pp 1105-1108

Checks bactericidal effect on B. prodigiosum of egg white before incubation and after 1 - 6 days of incubation. Finds little effect before incubation, sharp increase in effect in 1st 3 days, effect weakened 4th day, and almost no effect after 5th and 6th day. Finds stronger concn of lysozyme from egg

172742

USSR/Medicine - Egg White 21 Oct 49 (contd)

White are required to produce lysis of Micrococcus lysodeikticus as number of days during which incubation continues increase, thus showing bactericidal properties decrease during process of incubation. Table. Submitted by Acad K. M. Bykov 21 Jul 49.

172742

"APPROVED FOR RELEASE: Tuesday, September 17, 2002

CIA-RDP86-00513R000

GIRFANOVA, E. N.

APPROVED FOR RELEASE: Tuesday, September 17, 2002

CIA-RDP86-00513R0005

1954-1955

1956-1957

"Historic entomofauna and viroverms in Bashkiria" (1954-1957, 1956-1957, Sci. Bull. Bashkir State Univ., 1958, 1959, 1960, 1961, 1962, 1963, 1964, 1965, 1966, 1967, 1968, 1969, 1970, 1971, 1972, 1973, 1974, 1975, 1976, 1977, 1978, 1979, 1980, 1981, 1982, 1983, 1984, 1985, 1986, 1987, 1988, 1989, 1990, 1991, 1992, 1993, 1994, 1995, 1996, 1997, 1998, 1999, 2000, 2001, 2002, 2003, 2004, 2005, 2006, 2007, 2008, 2009, 2010, 2011, 2012, 2013, 2014, 2015, 2016, 2017, 2018, 2019, 2020, 2021, 2022, 2023, 2024, 2025).
Candidate in Biological Sciences.

Highway 1954-1955
No. 2, 1954, 1955.

GIRFANOVA, L.N.

Entomophagous Diptera and their role in controlling the gypsy moth
in Bashkiria. Izv. vost. fil. AN SSSR no.9:102-109 '57. (MIRA 11:1)

1. Bashkirskiy filial AN SSSR.
(Bashkiria--Gypsy moth--Biological control) (Diptera)

YANOV, E.N.; PREDTECHENSKIY, N.N.; POLEVAYA, N.I.; MURINA, G.A.;
MIRKINA, S.L.; ISKANDEROVA, A.D.; YEFIMOV, K.P.;
CHEN' YUY-VEY [Ch'ŕn Yü-wei]; TITOV, N.Ye.; PANTELEYEV, A.I.;
KOCHEGURA, V.V.; GIRFANOVA, O.M.; ZUYEV, A.V.; NIKOL'SKIY, Yu.I.;
BURE, G.N.

Problems of the methods of geological investigations. [Trudy]
VSEGEI 92:91-98 '63. (MIRA 17:4)

GIRGIDOV, D. Ya.

23468

METODY POVYSHENIYA PLODONOSHENIYA SOSNY. V SB: ISSLEDCVANIYA
PO LES. KHOZ-VY. L., 1948. (NA OBL: 1949), C. 199-217.—
BIBLIOGR: 11 NAZY.

SO: LETOPIS ' NO. 31, 1949

BERNARD, D. H.

Cork tree

Cork oak. Len. 1 stapl h, no. 1, 1982.

9. Monthly List of Russian Accessions, Library of Congress, 1953 1953, Uncl.

GIRGIDOV, D. YA.

Pine

Organized seed plots for raising pine. Les i step' 4 no. 9, 1952

Monthly List of Russian Accessions, Library of Congress, December 1952. Unclassified.

GIRSIDOV, D. YA.

Oak

Murray pine and red oak in north-western areas of the U. S. S. R. Les. khoz. 5,
no. 7, 1952.

9. Monthly List of Russian Accessions, Library of Congress, September ¹⁹⁵² ~~1953~~, Unclassified.

GTRSIDOV, DAVID YAKOVLEVICH

17N/5
729.42
.05

Introduktsiya drevesnykh porod na severo-zapade SSSR (Introduction to the tree species of northwestern USSR) Moskva, Goslesbunizdat, 1955.
47 p. Illus., tables.
"Literatura": p. 47.

GIRGIDOV, D.Ya.

Cultivation of new conifers in the northwestern regions of the
U.S.S.R. Geog. sbor. no.5:25-93 '55. (MLRA 9:6)
(Russia, Northwestern--Coniferae)

GIRGIDOV, D.Ya.

Letter to the editors. Bot.zhur. 50 no.7:1051 Ji '65.
(MIRA 18:11)

1. Leningradskiy nauchno-issledovatel'skiy institut lesnogo
khozyaystva.

GIRIN, O.P.

Theory of vibrations of finite crystal lattices. Opt. i spektr.
9 no.5:673-676 N '60. (MIRA 13:11)
(Crystal Lattices)

BAKHSHIYEV, N.G.; GIRIN, O.P.; LIBOV, V.S.

Relation between the observed and the true absorption spectra
in a condensed medium. Dokl.AN SSSR 145 no.5:1025-1027 '62.
(MIRA 15:8)

1. Predstavleno akademikom A.N.Tereninym.
(Absorption spectra)

61 K G - J A C I , 6 .

BULGARIA/Diseases of Farm Animals. Diseases Caused by Bacteria and Fungi. R

Abs Jour: Ref Zhur-Biol., No 7., 1958, 21627.

Author : Iliyev, T., Yovchev, Ye., Arsov, R., Gerginov, G.
Inst : Higher Veterinary Medical Institute.
Title : Study of Gangrenous Mastitis Epizootiology in Sheep and Goats in Bulgaria.

Orig Pub: Nauchn. tr. Vissh. veterinarnomed. in-t, 1956, 4, 49-77.

Abstract: Nowadays gangrenous mastitis in sheep and goats is spread all over the country. To a great extent the disease is caused by some predisposing factors (such as unsanitary keeping conditions, udder trauma, incorrect milking methods, incomplete milking). The disease

Card : 1/2

Curu : 2/2

BULGARIA/Diseases of Farm Animals - Diseases Caused by
Bacteria and Fungi

R.

Abs Jour : Ref Zhur - Biol., No 6, 1958, 26290
Author : Iliyev, T., Yovchev, E., Arsov, R., Girginov, G.
Inst : Higher Institute of Veterinary and Medical Sciences.
Title : Verification of Some of the Essential Positions of
Large Horned Cattle.
Orig Pub : Nauchn. tr. Vissh. veterinarnomed. in-t, 1956, 4, 191-211
Abstract : Comparative evaluation has been carried out of the site
and the method of injecting tuberculin when examining
cattle for tuberculosis. It was shown that when tubercu-
lin is administered simultaneously into the neck and
shoulder blade areas, the sick animals' reaction is more
pronounced when it is administered into the neck area.

Card 1/2

BULGARIA/Diseases of Farm Animals - Diseases Caused by
Bacteria and Fungi.

R.

Abs Jour : Ref Zhur - Biol., No 6, 1958, 26290

As compared with a single injection, twofold injections
of tuberculin with an interval of 48 hours produce more
clear-cut results.

Card 2/2

7

1. TITLE : ...
2. AUTHOR : ...
3. SUBJECT : ...
4. DATE : ...

5. SUMMARY : ...
6. ABSTRACT : ...
7. REFERENCES : ...

8. OTHER : ...

ILIEV, T. [Iliev, T.], Prof.; ARSOW, R. [Arsov, R.]; JOWTSCHEW, E.
[Yovchev, E.]; GIRGINOV, G. [Girginov, G.]

Infectivity investigation of pasteurellosis. Acta veter Hung
13 no.1:82-93 '63.

1. Lehrstuhl für Epizootologie der Tierärztlichen Hochschule,
Sofia (Vorstand: Prof. T. Iliev [Iliev, T.]).

ILIEW, T. [Iliev, T.], Prof.; ARSOW, R. [Arsov, R.]; GIRGINOW, G.
[Girginov, G.]; JOWTSCHEW, E. [Yovochev, E.]

Investigations of the permanent separation of Pasteurella
in poultry. Acta veter Hung 13 no.1:95-102 '63.

1. Lehrstuhl für Epizootologie der Tierärztlichen Hochschule,
Sofia (Vorstand: Prof. T. Iliew [Iliev, T.]).

ILIEV, T. [Iliev, T.]; ARSOV, R. [Arsov, R.]; DIMOV, Iv. [Dimov, Iv.]
GIRGINOV, G. [Girginov, G.]; JOWTSCHEN, E. [Iovchev, E.]

Domestic mammals (swine, cattle, sheep) as permanent
Pasteurella carriers and hidden sources for pasteurellosis
of the poultry. Acta veter Hung 13 no.2:196-203 '63.

1. Lehrstuhl für Epizootologie (Vorstand: Prof. T. Iliev [Iliev, T.])
der Tierärztlichen Hochschule, Sofia.

С ИЛИЕВ

ILIEV, T. [Iliev, T.]; ARSOV, R. [Arsov, R.]; JOWTSCHEN, E. [Ievchev, E.]
GIRGINOV, G. [Girginov, G.]

Role of swine in the epizootic disease of chicken cholera.
Acta veter Hung 13 no.2:205-208 '63.

1. Lehrstuhl für Epizootologie (Vorstand: Prof. T. Iliev
[Iliev, T.]) der Tierärztlichen Hochschule, Sofia.

ILIEV, T. [Iliev, T.]; GIRGINOV, G. [Girginov, G.]; ARSOV, R. [Arsov, R.];
JOWTSCHEW, E. [Iovchev, E.]

Role of mice and rats in the epizooty of chicken cholera.
Acta veter Hung 13 no.3: 219-223 '63.

~~Age susceptibility of hens to chicken cholera.~~ 225-227.

1. Lehrstuhl für Epizootologie (Vorstand: Prof. T. Iliev) der
Tierärztlichen Hochschule, Sofia.

GIRGINOV, Nikola, inzh.

Electroluminescent lamps. Tekhnika Bulg 12 no.1:11-14 '63.

1. Institut po energetika pri Bulgarskata akademija na naukite.

GIRGINOV, NIKOLAY ANCHEV, dotsent

Intraperitoneal fixation of the anterior and posterior walls
of the rectum in rectal prolapse. Vest.khir. no.1:69-72'63.

(MIRA 16:7)

1. Iz 1-go khirurgicheskogo otdeleniya (zav.-dotsent N.Anchev
Girginov) vysshego voyennogo-meditsinskogo instituta (nachal'-
nik -prof. G.D.Krystinov) ,Sofiya, Bolgariya.

(RECTUM--DISEASES) (RECTUM--SURGERY)

~~GIRGINOV T.~~
GIRGINOV T.

BULGARIA / Chemical Technology, Chemical Products and Their Application -Food industry J-14

Abs Jour : Referat Zhur - Khimiya, No 2, 1958, 6292

Author : Girginov T.

Inst : Not given

Title : New Technology of Manufacturing of Kachkavala Cheese

Orig Pub : Nauchn. tr. Vissh. in-t khranit. i vkus. prom-st. Plovdiv, 1956, 3, 145-165

Abstract : Technology had been developed for the production of kachkavala cheese from pasteurized sheep's milk, using a pure-culture inoculum. The duration of the manufacturing process is reduced by approximately 2 times; yield of cheese is increased.

Card 1/1

GALEA, Radu; GIBU, Diana; ICHIL, Dumitru

Electrochromatographic separation of some diazotransfer and
hydrolysis products of cobalt(III)-tetraammine complexes. Rev Roum
Chim 9 no.11:209-214 N 1964.

1. "Petru Poni" Institute of Chemistry, Bucharest, 1st branch,
41 A Aleea Grigore Gheorghiu Buzdea.

SMIRNOV, Ye.I., general-polkovnik meditsinskoy sluzhby, glav. red.; GIRGOLAV, S.S., general-leytenant meditsinskoy sluzhby, otv. red.; ANICHKOV, N.N., general-leytenant meditsinskoy sluzhby, red.; YELANSKIY, N.N., red.; LEVIT, V.S., red.; PRIOROV, N.N., zasluzhennyy deyatel' nauki, prof., red.; RUFANOV, I.G., red.; SHAMOV, V.N., general-leytenant meditsinskoy sluzhby, red.; AR'YEV, T.Ya., red.; SAMOTKIN, B.A., kand. med. nauk, podpolkovnik med. sluzhby, red.

[Soviet medicine in the Great Patriotic War 1941-1945] Opyt sovetskoi meditsiny v Velikoi Otechestvennoi voine 1941-1945 3g. Moskva, Medgiz. Vol.4. 1949. 547 p. (MIRA 14:6)

1. Deystvitel'nyy chlen Akademii meditsinskikh nauk SSSR (for Girgolav, Shamov). 2. Deystvitel'nyy chlen Akademii nauk SSSR i Akademii meditsinskikh nauk SSSR (for Anichkov)

(WORLD WAR, 1939-1945--MEDICAL AND SANITARY AFFAIRS)

(SKULL--WOUNDS AND INJURIES)

GIRGOROV, Iv.; GESHEVA, R.

Adaptation of *Aspergillus oryzae* producing amylase. *Izv. mikrob.*
inst., Sofia no.11:45-52 '60.
(ASPERGILLUS)
(AMYLASES)

BABAYAN, Kh.P.; GIRGOROV, N.L.; MAMIDZHANYAN, E.A.; SOBINYAKOV, V.A.;
SHESTOPEROV, V.Ya.

Use of the ionization calorimeter method in studying the
interaction of 10^{12} ev. particles. Izv. AN SSSR. Ser. fiz.
29 no.9:1652-1655 S '65. (MIRA 18:9)

1. Nauchno-issledovatel'skiy institut yadernoy fiziki Moskovskogo
gosudarstvennogo universiteta i Fizicheskiy institut Gosudar-
stvennogo komiteta po ispol'zovaniyu atomnoy energii SSSR.

E 04942-67 (U) (S) (L)-2

ACC NR: AP6028702

SOURCE CODE: UR/0410/66/000/003/0128/0130

AUTHOR: Girgorovskiy, B. K. (Kuybyshev); Kulikovskiy, K. L. (Kuybyshev) 28
E

ORG: none

TITLE: The measurement of the components of complex voltages by a ²⁵photoelectric comparator 9M

SOURCE: Avtometriya, no. 3, 1966, 128-130

TOPIC TAGS: voltmeter, photoelectric detection, photoresistor

ABSTRACT: A method for the measurement of components of a complex voltage based on the photocompensation approach is described. The photosensitive element is incorporated within a comparator circuit (see Fig. 1). This photoelectrometric comparator is distinguished by a d-c output unit. It yields more accurate measurements and simplifies the determination of the complex voltage quadrant. The use of a 0.5 accuracy class milliamper instrument with a total

L 04942-67

ACC NR: AP6028702

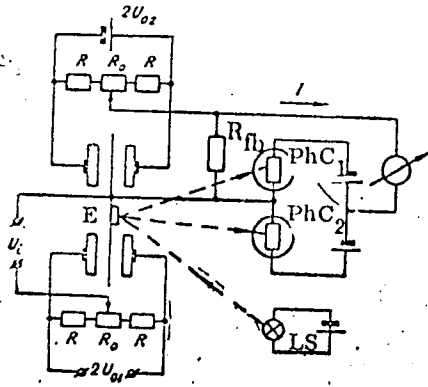


Figure 1. Photoelectrometric Comparator

E- electrometer sensor; Ph C₁ - photo-resistance; LS- light source; R_{fb}- foed-back resistance

5 ma deflection yielded errors not exceeding 1% in the 100-2000 mv region. Orig. art. has: 7 formulas, 1 table, and 1 figure.

SUB CODE: 09/ SUBM DATE: 04Nov65/ ORIG REF: 002/ OTH REF: 000

Card 2/2 *llh*

GIRGOR'YAN, Yu.G. (Yerevan)

Experiments conducted on a digital computer on the recognition
of visual objects. Izv. AN SSSR Tekh. kib. no.2,40-49. Apr 1964.
(MIRA 17,6)

HUNGARY

ILIEW, T, professor, ARSCOW, R, GIRGINGN, G, JCWTSCHEN, E; Veterinary Medical Academy, Department of Epizootology (chairman: ILIEW, T, professor), Sofia [original language version not given].

"Investigations on the Permanent Excretion of Pasteurellae by Fowl."

Eudapest, Acta Veterinaria Academiae Scientiarum Hungaricae, Vol XIII, No 1, 1963, pages 95-102.

Abstract: [German article, authors' German summary modified] An examination, by biotest on mice, of the mucous secretion of the throat of healthy hens from cholera-infested farms and of healthy hens from cholera-free farms gave the following results: no permanent excretor was found on cholera-free farms; the excretion of Pasteurellae by healthy hens from infected farms is rather frequent, the numbers vary with the duration of the contamination, morbidity and the therapeutic and preventive measures employed. Age of the animals has no effect. Natural infection experiments, from picking on dead fowl and from contact with contamination of the surroundings, produced prolonged excretors which came down with the disease later under the influence of outside factors. Pasteurella excretors among fowl excrete for long durations. 6 Eastern European, 2 Western references.

VARTANYAN, S.A.; ZHAMAGORTSYAN, V.N.; GIRGORYAN, L.G.

Chemistry of vinylacetylene. Report No.42: Synthesis of
4-hydroxytetrahydropyran-4-carboxylic acids and their esters,
Izv.AN Arm.SSR. Khim.nauki 16 no.4:399-405 '63. (MIRA 16:9)

1. Institut organicheskoy khimii AN Armyanskoy SSR.

PEREVALOV, N.Ye., inzh.; GIRGOR'YEV, A.M., doktor tekhn. nauk

Data for calculating planetary transmissions. Mashinostroenie
no.4:51-52 J1-Ag '64. (MIRA 17:10)

GIRGOR'YEV, G.I.

Effect of electron-ion collisions on the diffusion of inhomogeneities
of the electron concentration in the ionosphere. Geomag.
i aer. 4 no.1:183-184 Ja-F'64. (MIRA 17:2)

1. Radiofizicheskiy institut pri Gor'kovskom gosudarstvennom
universitete.

GIRGOR'YEV, V.Kh.

Rural areas should be provided with reliable means of communication.
Vest. svyazi. 24 no.6: 30 de 1964. (MIRA 17:11)

1. Nakhaltovskiy Rostovskoy oblastiyei direktsei radioraz lyatsionoy
seti.

CHECHKIN, V.V.; VASIL'YEV, M.P.; GIRGOR'YEVA, L.I.; LONGINOV, A.V.;
SMERDOV, B.I.

Resonance heating of a plasma by a strong high-frequency field.
Pis'. v red. Zhur. eksper. i teoret. fiz. 2 no.9:418-422 N '65.
(MIRA 18:12)

1. Submitted September 7, 1965.

ANTONOV, A.S.; GIRGOR'YEVA, S.P.; IVANOVA, P.V.; BELOZERSKIY, A.N., akademik

Nucleotide composition of rapidly labeled RNA of the silk
gland of the silkworm *Bombyx mori* L. Dokl. AN SSSR 154 no.1:
216-219 Ja'64. (MIRA 17:2)

1. Moskovskiy gosudarstvennyy universitet im. M.V. Lomonosova.

GIRIAT, W.

Applications of semiconductor materials with high mobility of carrier streams. p. 149.

POSTĘPY FIZYKI. (Polskie Towarzystwo Fizyczne) Warszawa, Poland
Vol. 10, no. 2, 1959

Monthly List of East European Accessions (EEAI) LC, Vol. 9, no. 2,
Feb. 1960

(Incl.)

5(4)
AUTHORS: Giriak, W., Dziuba, Z. POL/45-18-6-5/5

TITLE: Automatic Device for the Zone-refining of Metals and
Semiconductors 21

PERIODICAL: Acta Physica Polonica, 1959, Vol 18, Nr 6, pp 589-592 (Poland)

ABSTRACT: The authors describe the method and the device for high-efficiency automatic zone refining. This method was employed for the first time in 1952 for the production of very pure germanium. It may be applied whenever a difference in the concentration of impurities occurs on the solid - liquid phase boundary. In zone refining technique three modifications are possible, which are discussed in the introduction. Figure 1 contains a schematical drawing of an automatic zone-refining device, and figure 2 shows such a drawing of the device for preparing the quartz ampoules. Preparation may take place in vacuum or in a neutral gas. Figure 3 shows a heating element essentially consisting of kanthal wire spirals; such an element has a power output of 320 w. The device shown here and in figure 4 (photo) was tested for more than 1000 hours, and zone refining of the metals Sb, Cd, In, Te, Zn, Pb, Bi and the semi-

Automatic Device for the Zone-refining of
Metals and Semiconductors

POL/45-18-6-5/5

conductors Ge, InSb, GaSb, HgTe, HgSe, and In_2Te_3 was satisfactory. The present investigation was carried out under the supervision of Professor Doctor L. Sosnowski. There are 4 figures and 6 references.

ASSOCIATION: Institute of Physics, Polish Academy of Sciences, Warsaw

SUBMITTED: May 25, 1959 ✓

WARDZYNSKI, W.; GIRIAT, W.

Optical and photoelectric properties of thin CdSe layers. Bul Ac
Pol mat 8 no.5:325-332 '60.

1. Institute of Physics, Polish Academy of Sciences. Presented by
W. Rubinowicz.

(Cadmium) (Selenium) (Optics (Photoelectricity))

GALAZKA, R.; GIRIAT, W.

Electrical properties of the CdTe-HgTe system. Bul Ac Pol Mat 9 no.4:
281-285 '61.

1. Institute of Physics, Polish Academy of Sciences. Presented by
L. Sosnowski.

30161
P/045/61/020/011/004/004
B102/B108

24.7700 (1035, 1385, 1482)

AUTHORS: Giriat, W., Miguła, Z., and Sikorski, A.

TITLE: Preparation and the electrical and optical properties of cadmium antimonide

PERIODICAL: Acta Physica Polonica, v. 20, no. 11, 1961, 919 - 925

TEXT: CdSb was produced from a stoichiometric mixture of the pure elements (impurity content less than $10^{-5}\%$). Rapid cooling after melting (melting point 456°C) yielded a brilliant and brittle material, slow cooling a lustreless material of better mechanical quality. CdSb was purified by zone melting, which did not change its properties. X-ray investigation showed that the material consisted of large crystallites. Crackless specimens were chosen to measure electrical conductivity, Hall coefficient, and the dependence of resistivity on the magnetic field strength in the temperature range $78 - 370^{\circ}\text{K}$. The curves plotted for the two varieties of the material differed considerably. In particular, the Hall-mobility versus temperature curves have opposite inclinations. For the lustreless material $\ln \mu$ decreases linearly with increasing $1/T$, for

Card 1/3

36161
P/045/61/020/011/004/004
B102/B108

Preparation and the...

the brilliant material $\ln \mu$ rises nonlinearly with $1/T$. Optical transmission and absorption were measured and compared for the two varieties. In the spectral range investigated ($0.5 - 15 \mu$), the two modifications showed different behaviors. The position of the absorption edge could be found only for the brilliant CdSb. From thermo-emf measurements it was found that both modifications were of the n-type. At nitrogen temperature $n = 4.4 \cdot 10^{16} \text{ cm}^{-3}$ for the lustreless and $n = 5.5 \cdot 10^{17} \text{ cm}^{-3}$ for the brilliant variety. The electron concentration in both cases depends on the structural defects and deviations from the stoichiometric composition. The fact that the brilliant material contains more defects is ascribed to their freezing in during rapid cooling. For both varieties it was found that the mobility values as determined from Hall effect and conductivity differed considerably from those determined from the resistivity-versus-magnetic field curves: 106 and 420 $\text{cm}^2/\text{v}\cdot\text{sec}$ was found for the lustreless. 18 and 280 $\text{cm}^2/\text{v}\cdot\text{sec}$ for the brilliant modification. This is ascribed to the polycrystalline nature of the specimens. The maximum activation energies were found to be 0.082 eV for the brilliant and 0.37 eV for the

Card 2/3

GIRIAT, Witołd

Structure of the basic absorption edge in semiconductors.
Postępy fizyki 14 no.5:569-583 '63.

1. Instytut Fizyki, Polska Akademia Nauk, Warszawa.

L 11153-61 DMT (1)/EUS/ESD-2/ESD-2-ASD/ARCC/ESD-3/APWL/SSD-01-1-1JP(C)/CG

ACCESSION NR: AF3003181

F/0053/63/000/004/0216/0221

68
66

AUTHOR: Giriat, Witold; Grynsberg, Marian

TITLE: Photoelectromagnetic infrared detector

SOURCE: Przeglad elektroniki, no. 4, 1963, 216-221

TOPIC TAGS: infrared radiation detector, sensitivity, infrared, infrared radiation, p-type indium antimonide, detector sensitivity

ABSTRACT: The results of investigations on infrared detectors using InSb and operating in a range up to 6.5μ are presented. The InSb sample used for the experiments was obtained by the direct alloying of the starting materials. A cadmium impurity was introduced to obtain the p-type semiconductor. Dimensions of the sample were $10 \times 3 \times 0.8$ mm. Two voltage probes were soldered to the nonirradiated surface. The sample was treated electrolytically with a 4% solution of HNO_3 in ethylene glycol at a current density of 0.2 amp/cm^2 . After removing the oxide layers, the sample was washed in toluene and distilled water and then placed in a magnetic field. A small kanthal heater with a temperature up to $1200^\circ C$ was used as the radiation source; it was focused on the sample by means of two mirrors. The incident rays were modulated mechanically. The

Card 1/2

L 11153-63

ACCESSION NR: AF3003181

alternating signal obtained in the sample was applied to a selective amplifier and then measured. The relationship between signal voltage and wavelength was determined by a monochromator equipped with a mirror and a prism. The threshold sensitivity was found to be 10^{-7} w. A prototype detector has been constructed. To extend the sensitivity of the detector toward waves above 7μ experiments with samples of $Cd_xHg_{1-x}Te$ (where $x \leq 0.2$) were carried out. According to preliminary measurement, the sensitivity limit can be shifted up to 15μ .
 Orig. art. has: 6 figures and 1 formula.

ASSOCIATION: Instytut Fizyki PAN (Physics Institute, Polish Academy of Sciences); Instytut Fizyki Doświadczalnej UW (Institute of Experimental Physics, Warsaw University)

SUBMITTED: 03Dec62

DATE ACQ: 12Jul63

ENCL: 00

SUB CODE: SD

NO REF SOV: 000

OTHER: 010

os/Leu
 Card 2/2

GIRIAT, W.

Optical properties of Cd Hg Te semiconductors. $x = 1.0; 0.9; 0.8$.
Acta physica Pol 24.no.2:191-197 Ag '63.

1. Institute of Physics, Polish Academy of Sciences, Warsaw.

E 31539-66 ETC(f)/T/EMP(t)/ETI LJP(c) RDW/JD
ACC NR: AP6010792 SOURCE CODE: PO/0053/66/000/003/0111/0117

AUTHOR: Baranowski, J.; Dziuba, Z.; Galazka, R.; Giriat, W.; Szymanska, W.
Zakrzewski, T. 67
62
B

ORG: Institute of Experimental Physics, Warsaw University (Instytut Fizyki Doswiadczal-
nej Uniwersytetu Warszawskiego); Physics Institute, PAN (Instytut Fizyki, PAN) B
27

TITLE: Electrical and photomagnetic properties of single crystals of the $Cd_xHg_{1-x}Te$
semiconductor system

SOURCE: Przegląd elektroniki, no. 3, 1966, 111-117

TOPIC TAGS: single crystal, crystal property, semiconductor crystal, electric property,
photomagnetic effect

ABSTRACT: The paper presents some results of investigations on the $Cd_xHg_{1-x}Te$ system. Single crystals of $x = 0.00, 0.05, 0.10,$ and 0.15 were used for the investigations. The dependence of electrical conductivity δ and the Hall constant R_H on temperature in the range from $4.2K$ to $400K$ was investigated. The dependence of R_H and δ on magnetic field intensity was also measured. The materials investigated show a high electron mobility; the maximal values of electron mobilities are of the order of 10^5 $cm^2/Vsec$. Mobility increases with increasing x and attains its maximum values for x at about 0.1 . In these materials, at temperatures below room temperature there is a very strong dependence of R_H and δ on magnetic field intensity. It was determined that for $x = 0.00$ the width of the forbidden energy gap at the temperature of absolute zero is $E_g = 0 \pm 0.0003$ eV. For $x > 0,$ $E_g > 0,$ and $x = 0.05$ it is $E_g = 0.015$ eV,

L 31539-66

ACC NR: AP6010792

and for $x = 0.15$, $E_g = 0.06$ eV. The photomagnetic effect was investigated at room temperature. High sensitivity to infrared radiation was established. The material with $x = 0.10$ is sensitive to radiation from the visible range to wavelength of 10 microns. It was also established that the photomagnetic effect for $x = 0.10$ depends on the frequency of incident radiation. This dependence is caused by the appearance of a thermal component (Nernst effect). The experimental results are presented in the form of curves and compared with published data. The results are discussed in detail in the light of existing literature. The authors thank Prof. L. Sosnowski for his interest in this work and discussions. The authors also thank Docent Dr. W. Wardzynski, J. Ginter, Dr. J. Mycielski, and Dr. J. Rauluszkiewicz for valuable comments they made in the course of this investigation. Orig. art. has: 7 figures. 5

SUB CODE: 20 / SUBM DATE: none / ORIG REF: 003 / OTH REF: 006 / SOV REF: 002

Card 2/2 LC

5

POLAND

~~BARANOWSKI, Jacek; DZIUBA, Zbigniew; GALAZKA, Robert; GIRIAT, Witold;
SZYMANSKA, Wanda; ZAKRZEWSKI, Tadeusz~~

1. Institute of Experimental Physics, University of Warsaw
(Instytut Fizyki Doswiadczalnej Uniwersytetu Warszawskiego)
- (for ?) 2; Institute of Physics, Polish Academy of Sciences
(Instytut Fizyki, Polskiej Akademii Nauk) - (for ?)

Warsaw, Przegląd elektroniki, No 3, March 1966, pp 111-117

"Electric and photomagnetic properties of the $Cd_xHg_{1-x}Te$ single crystals."

BLYUMENTAL', R.M.; GIRICH, A.I.; GONCHARIK, A.K.; GUSEVA, T.P.; ZHITKOVA,
L.A.; IOFFE, A.M.; KULEMIN, P.D.; LEVINA, L.I.; OSHKIN, P.A.;
PAPROTSKIY, T.V.; RYAKHINOV, A.H.; SAMSONOV, N.A.; TULAYKOV, V.M.;
USTINOV, I.M.; FAYN, B.P.; SHIFRIN, D.L.; KOLOTILOV, Vasiliy
Ivanovich, red.; SVYATITSKAYA, K.P., vedushchiy red.; TROFIMOV,
A.V., tekhn.red.

[Equipment for the petroleum industry] Neftianoe oborudovanie.
Vol.5 [Petroleum valves and fittings] Neftianaya armatura. Moskva,
Gos. nauchno-tekhn.isd-vo neft. i gorno-toplivnoi lit-ry. 1958.
247 p. (MIRA 12:1)

(Petroleum industry--Equipment and supplies)

NOVGORODTSEV, V.A.; GIRICH, L.I.

Semiautomatic machine for the assembly of segment packs of the rotors of DKHM electric motors. *Biul. tekhn.-ekon. inform. Gos. nauch.-issl. inst. nauch. i tekhn. inform.* 18 no. 4:36-38 Ap '65.

(MIRA 18:6)

GIRICHEV, P., inzh.

Device for detecting breaks in the cable conductor. Muk.-elev.
prom. 24 no.3:28 Mr '58. (MIRA 12:9)

1. Tekhnicheskoye upravleniye Ministerstva khlēboproduktov
Kazakhskoy SSR.
(Electric cables)

YAKIMOVICH, V., inzh.; GIRICHEV, P., inzh.

Suggestions of Kazakhstan efficiency promoters. Muk.-elev.prom.
25 no.2:26-29 F '59. (MIRA 12:4)

1. Otdel novoy tekhniki Ministerstva khleboproduktov Kazakhskoy
SSR.

(Grain elevators)

(Grain-handling machinery)

MI RICHIEV, S. N.

BOBKOV, N.M., red.; GIRICHEV, S.N., red.; TOSHCHEVIKOV, V.P., red.;
MUKHANGV, B.V., red.; YEMEL'YANOVA, I., red.; DAVLETOV, Kh.,
tekhn.red.

[Technical education in Kazakh schools; a collection of articles]
Politekhnicheskoe obuchenie v shkolekh Kazakhskoi SSR: sbornik
statei. Alma-Ata, Kazakhskoe gos. uchebno-pedagog. izd-vo.
Pt.1. 1957. 195 p. (MIRA 11:5)

1. Kazakh S.S.R. Upravleniye shkol.
(Kazakhstan--Technical education)

GROMASHEVSKAYA, L.L.; VERZHKHOVSKAYA, A.A.; BELOUS, G.V.; GIRICHVA, G.A.
(Kiyev)

Some biochemical indexes in the diverse course of Botkin's disease.
Vrach.delo no.10:1059-1062 O '59. (MIRA 13:2)

1. Institut infektsionnykh bolezney AMN SSSR.
(HEPATITIS, INFECTIOUS) (ALDOLASE)

GIRICHEVA, G.A. [Hiricheva, H.O.]

Effect of cobalamine on the activity of liver dehydrogenases
in white rats. Ukr.biokhim.zhur. 31 no.1:53-58 '59.
(MIRA 12:6)

1. Institute of Biochemistry of the Academy of Sciences of
the Ukrainian S.S.R. Kiev.
(CYANOCOBALAMINE) (DEHYDROGENASE) (LIVER)

MOSIN, Fedor Vasil'yevich; KISELEV, M.I., nauchnyy red.; GIRICHEVA, M.A.,
red.; SEMENOVA, A.V., tekhn.red.

[Mechanization of pipe bending] Mekhanizatsiia v trubogibochnom
proizvodstve. Leningrad, Tsentr.biuro tekhn.informatsii, 1959.
51 p. (MIRA 13:3)

(Pipe bending)

DELLO, A.V.; SHAROYKO, P.M.; LUR'YE, N.S.; KACHKACHEV, A.Z., otv.red.;
GIRICHEVA, M.A., red.; BOL'SHAKOV, V.A., tekhn.red.

[Industrial pipe fittings; catalog-reference book] Pronyshlennaia
truboprovodnaia armatura; katalog-spravochnik. Leningrad, Leningr.
Sovet nar khoz. Upr.mashinostroeniia. Pt.1. [Faucets, level
indicators, shut-off and regulating valves] Krany, ukazateli
urovnia, zapornye i reguliruiushchie ventili. 1960. 303 p.
(MIRA 13:7)

1. Leningrad. Tsentral'noye konstruktorskoye byuro armaturo-
stroyeniya. 2. Tsentral'noye konstruktorskoye byuro armaturo-
stroyeniya (for Dello, Sharoyko, Lur'ye).
(Pipe fittings)

GIRIGHEL, E.

Electroencephalographic studies on cortical reactivity;
latency of responses from various cortical parts to intermittent
luminous stimuli. p. 1217 COMUNICARILE. Bucuresti. Vol. 5,
no. 8, Aug. 1955.

SOURCE: EAST EUROPEAN ACCESSIONS LIST (EEAL) Library of Congress
Vol. 5. No. 7, July 1956.

GIRIK, A.G., inzh.; CHUB, V.F., inzh.

Portable gas welding unit. Bezop.truda v prom. 5 no.4:27 Ap
'61. (MIRA 14:3)

1. Nauchno-issledovatel'skiy gornorudnyy institut.
(Gas welding and cutting)

GIRILOV, G., M.A., ALPERIN, A.I., VERONOV, A.M., VERKHOVYKH, M.A.M., BONDAR, N.I.,
BRODSKIY, P.P., TRAKHIMOV, P.M. and LAVICH-SHEKHO, V.A.

"Blood Transfusion in treatment of tuberculosis."

[Probl. tuberk.] No. 1,3-14 Jan.-Feb., 1950. 2 figs., 3 refs.

Much work has been done in the Soviet Union to prove that tuberculous patients are not allergic to human in these cases need not produce any general or local reaction whatsoever. The very severe reactions which were produced by transfusion at the beginning of the experiments have now been eliminated; it has been established that they were due to impurities and to lack of asepsis in the technique of administration. Transfusion cannot be regarded as a basic method of treatment but serves a subsidiary purpose: (a) as a haemostatic; (b) as a stimulator of the connective tissues; (c) as substitution therapy after great blood loss. Blood transfusion is also important as a preliminary to surgical intervention and in post-operative treatment. More work should be done on the desensitizing effect of blood transfusion in the presence of plural reactions to treatment of artificial pneumothorax. The use of erythroserum is advisable as a haemostatic agent. Blood transfusions are contraindicated in hopeless cases such as those of acute toxic pneumonia, acute haematogenous spread, and terminal excretions.

H.W. Sawn

SO: Abstracts of World Medicine. vol. 8, 1950.

ZIL'BERMAN, R.P. (Krasnodar, ul. Sedina, d.76); GIRILOVICH, M.A.; LYUDVIG,
Ye.I.

Tomography of the knee joint in tuberculous gonitis; abstract.
Ortop. travn.i protez. 22 no.1:82 Ja '61. (MIRA 14:5)

1. Iz Krasnodarskogo krayevogo protivotuberkuleznogo dispansera
(glavnyy vrach - A.I.Ukrainichenko) i kafedry rentgenologii
(zav. - dotsent A.A.Rekkandt) Kubanskogo meditsinskogo instituta.
(KNEE---RADIOGAPHY) (KNEE---TUBERCULOSIS)

GIRIMOV, G.P.

Effect of temperature on the operation of tidal pumps. (zv. vys.
ucheb. zav.; neft' i gaz 7 no. 1985-1986) (MIRA 17:9)

1. G. P. Girimovskiy institut nefti i gaza, M. (1986-1987).

GIRIMOV, G.P.

Machine for testing the fatigue of the materials of drill pipes. Izv.
vys. ucheb. zav.; neft' i gaz 8 no.6s96,104 '65. (MIRA 18:7)

1. Azerbaydzhanskiy institut nefti i khimii im. M.Azizbekova.

GIRIN. D.V.

Rational periods of therapeutic pneumothorax. Probl. tub.
no.8:99-102 '62. (MIRA 16:9)

1. Iz Moskovskogo obl_astnogo protivutuberkuleznogo sanatoriya
"Mtsyri". (PNEUMOTHORAX)

GIRIN, GEORGI KONSTANTINOVICH

7/8
1941
11

Организация и техника торговли

организация и техника торговли (организация и техника торговли)

Г. К. Гирин, В. Е. Языков. Москва, изд-во «Информационное общество», 1996.

115 с., ил., 40 коп.

KLYUCHKIN, V.V., inzh.; Pilyuk, N.I., inzh.; GIRIN, G.M., inzh.

Manufacture of toasted oil cakes in the Khabarovsk Oils and Fats
Combine. Masl.-zhir.prom. 29 no.7:35-38 JI '63. (MIRA 16:9)

1. Khabarovskiy filial Vsesoyuznogo nauchno-issledovatel'skogo
instituta zhirov (for Klyuchkin, Pilyuk). 2. Khabarovskiy
maslozhirovoy kombinat (for Girin).
(Khabarovsk--Oil cake)

L 08356-67 EWT(1)

ACC NR: AR6028131

SOURCE CODE: UR/0058/66/000/005/D010/D010

AUTHOR: Girin, I. A.

52

TITLE: Phenomenological calculation of the scattering of atoms

SOURCE: Fef. zh. Fizika, Abs. 5D54

REF. SOURCE: Uch. zap. Ul'yanovskiy gos. ped. in-t, v. 18, no. 5, 1964, 42-45

TOPIC TAGS: atomic spectroscopy, sodium, tantalum, eigenfunction, scattering amplitude, scattering cross section

ABSTRACT: The author considers S-scattering of the atom $\text{Na}(^2S_{1/2})$ by a Ta atom ($^4F_{3/2}$). The eigenfunctions of the total angular momentum operator I and of its projection M are constructed; these functions ϕ_{IM} serve as the basis for the calculation of the scattering amplitude f_{IM} . Each function of the type $\psi_{l,m}, \psi_{l',m'}$ (atomic functions) is represented in the form of an expansion in $\phi_{IM} = f_1 \phi_{IM} + f_2 \phi_{2M}$ ($M \leq 2I + 1$), making it possible to express any $\psi_{l,m}, \psi_{l',m'}$ in terms of a combination of remaining $\psi_{l,m}, \psi_{l',m'}$ with a coefficient that depends on f_1 and f_2 ; the squares of the moduli of the corresponding coefficients give the cross sections for elastic scattering, and also the cross sections for scattering with a change in the projections m_1 and m_2 . It is possible to obtain the relative elastic and inelastic cross sections for all

L 08356-67

ACC NR: AR6028131

the possible processes, including scattering of atoms with a definite state of polarization, and also scattering of depolarized atoms (mixed state), under the assumption: 1) $f_1 = f_2$; 2) $f_1 = 0, f_2 \neq 0$, and 3) $f_1 \neq 0, f_2 = 0$. It is indicated that scattering of polarized atomic beams can yield interesting information on the nature of the interatomic interaction. V. Bykhovskiy. [Translation of abstract]

SUB CODE: 20

Card 2/2 nst

GIRIN, M. V.

Asst, Chair of Surgery

Dissertation: "Projective Topographical Anatomy of the Hip and Sain of a Horse (Developed by the Method of Visiography and Coordinate Merometry)." Cand Vet Sci, Kirgiz Agricultural Inst, 15 Jun 54. (Sovetskaya Kirgiziya, Frunze, 2 Jun 54)

SO: SUM 318, 23 Dec 1954