

GASPAROVIC, N.

GASPAROVIC, N. American materials resisting high temperature. p. 40.

Vol. 8, No. 3, 1956.

TEHNIČKI PREGLED
TECHNOLOGY
Zagreb, Yugoslavia

So: East European Accession, Vol. 6, No. 2, February 1957

GAS TURBINES, IV.

Belastung und Lebensdauer der Gas-
turbine. N. Gašparovič. VDI Zeit-
schrift, Jan. 1, 1957, pp. 23-25. In Ger-
man. Discussion of the operation and
life expectancy of gas turbines.

GASPAROVIC, N.

Propulsion by means of acceleration of the boundary layer. p. 1345.

(TEHNIKA. Vol. 12, No. 8, 1957, Beograd, Yugoslavia)

SO: Monthly List of East European Accessions (EFAL) Lc. Vol. 6, No. 10, October 1957. Uncl.

GASPAROVICH, N.

33
614. LOADING AND LENGTH OF LIFE OF THE GAS TURBINE. Gasparovic, N.
(Vdi 2., 1 Jan. 1957, vol. 99, 23-25). With certain simplifications it is
possible to calculate for a pregiven loading programme of a gas turbine
installation the length of life of the blades for the individual partial load
or overload stages and therefrom the total period of life for the basic
programme. Criteria are further obtained for an economically optimum design
as regards working temperatures and blade stresses. (L). C.E.A.

RHA acy

GASPAROVIC, M.

Selecting steel tubes for low pressure in ships. p. 185.

BRODOGRADNJA. (Centralna uprava brodogradnje) Zagreb, Yugoslavia.
Vol. 9, no. 5, 1958.

Monthly List of East European Accessions (EEAI) LC, Vol. 3, no. 8, Aug. 1959.

Uncl.

GASPAROVIC, Ratimir

The vischer map of Lower Austria from 1670. Geogr pregl 6:
141-147 '62.

ARSHINSKIY, V.M.; BAGAUTINOV, G.A.; BESPALOV, M.V.; GASPAROVICH, P.I.;
GOLOMIDOV, I.N.; GOLUBOV, G.B.; GRIN, L.T.; ZEL'SKIY, S.A.;
IL'INYKH, A.F.; KOZIN, V.Z.; KRYUKOV, V.P.; KULAKOV, S.N.;
LUKAS, V.A.; MINEYEV, V.A.; PETROV, Yu.S.; PIRUSHKO, M.G.;
PROKOF'YEV, Ye.V.; REBETS, B.A.; STARTSEV, N.V.; TROP, A.Ye.,
prof.; KHRAMOV, V.A.; ABRAMOV, V.I., *otv. red.*; PROZOROVSKAYA,
V.L., *tekhn. red.*; BOLDYREVA, Z.A., *tekhn. red.*

[Handbook on electric equipment for mines] Spravochnik gorno-
go elektrotekhnik. Pod obshchei red. A.E.Tropa. Moskva,
Gosgortekhzdat, 1962. 400 p. (MIRA 16:5)
(Electricity in mining)

GASPARSKI, Wojciech, mgr inż.

Equipping the straightening and grinding stands of finishing plants in steel shape mills. Wlad hut 19 no.10:277-282 0 '63

GASPARYAN, A., kamenshchik.

Building brick walls with a seven-man crew. *Biul.stroi.tekh.*10 no.16:22
N '53. (MIRA 6:11)

1. SU Zhilstroy.

(Bricklaying) (Walls)

ZOLOPNITSKAYA, S.Ya.; GRIGORYAN, Ye.A.; GASPARYAN, A.G.

Using growth-promoting substances in transplantation. Izv. AN Arm. SSR.
Biol. i sel'khoz. nauki 1 no.1:43-55 '48. (MLRA 9:8)

1. Botanicheskiy sad AN Arm. SSR.
(GRAFTING) (GROWTH PROMOTING SUBSTANCES)

ZOLOTNITSKAYA, S.Ya.; GASPARYAN, A.G.; DAVTYAN, TS.M.

Caucasian belladonna and results of cultivating it in the Botanical
Garden of the Academy of Sciences of the Armenian S.S.R. Biul.Bot.
sada [Eriv.] no.8:17-22 '49. (MLRA 9:8)
(Armenia--Belladonna)

GASPARYAN, A.G.

Content of vitamin C in the leaves of multicolored American maple.
Izvest. Akad. Nauk Armyan. S.S.R. 3, No.6. Biol. i Sel'skokhoz.
Nauki 523-5 (in Russian; in Armenian, 525-6) '50. (MLRA 4:10)
(CA 47 no.17:8839 '53)

~~GASPARYAN, A.G.~~
ZOLOTNITSKAYA, S.Ya.; GASPARYAN, A.G.

Investigation of some medical plants for their protistocide action.
Izv.AN Arm.SSR.Biol.i sel'khoz.nauki. 4 no.5:449-458 '51.(MLRA 9:8)

1. Botanicheskiy sad Akademii nauk Armyanskoy SSR.
(BOTANY, MEDICAL) (ANTIBIOTICS)

GASPARYAN, A.M.

USSR .

✓ Breakdown of precipitate in equipment. A. M. Gasparyan and A. A. Zaminyan. *Doklady Akad. Nauk Arm. S.S.R.* 19, 149-52 (in Russian; Armenian summary) (1964).—The problem of calcul. of hydrostatic pressure necessary to effect a mech. break-up of a ppt. settled in a trap carrying a suspension of solid particles in a liquid medium is considered. For an incompressible grain structure of the solid the following equation gives the measure of the conditions required to bring the solid back into suspension. $h_2 = (G/S_2) (1/\gamma_1 - 1/\gamma_2)$, where γ_1 and γ_2 are sp. gr. of liquid and solid, resp., G is total wt. of solid, S_2 cross-section of the ppt. in the inlet tube, and h_2 pressure drop in the ppt. The equation was satisfactorily checked with a suspension of sand in H_2O . G. M. Kostapoff

GASPARYAN, A.M.; ZAMINYAN, A.A.

Restrained fall of spheroidal particles. Dokl.AN Arm.SSR 22 no.1:
17-21 '56. (MIRA 9:7)

1.Khimicheskiy institut Akademii nauk Armyanskoy SSR. Predstavleno
N. Kh.Arutyunyanom.
(Particles) (Chemistry, Analytic)

Gasparyan A. M.

Category: USSR/Fitting Out of Laboratories. Instruments, Their Theory, H. Construction and Use.

Abs Jour: Referat Zhur-Khimiya, No 9, 1957, 31144

Author : Gasparyan A. M., Akopyan R. Ye.

Inst : Academy of Sciences Armenian SSR

Title : Determination of the Viscosity of Liquids at Temperatures Above Boiling.

Orig Pub: Dokl. AN ArmSSR, 1956, 23, No 1, 17-22

Abstract: The apparatus for determination of kinematic viscosity consists of an improved viscosimeter described by Barr (Barr G., "Viskozimetriya", 1938, 110). The liquid under study, contained in a closed (sealed) system, flows by gravity from the bulb through a vertical capillary. The time is noted during which the meniscus drops between two marks on the bulb. Viscosity is calculated by means of the formula: $\mu = c_1 (\rho_1 - \rho_2) \tau - c_2 \rho_1 / \rho_2$ wherein ρ_1 and ρ_2 -- densities of liquid and gaseous phase,

Card : 1/2

Gasparyan, A.M.

A method of formation of spherical glass particles of small dimensions. A. M. Gasparyan and A. A. Zaminyan. *Doklady Akad. Nauk Armyan. S.S.R.* 23, 67-9(1956) (in Russian).—Glass spheres 40-300 μ in diam. are readily prepd. by dropping size-classified glass powder through a tubular vertical furnace kept at 1000-1100°, i.e. above softening point of the glass, with the furnace tube being firmly closed at the bottom to prevent convection currents.

G. M. Kaslapoff

AM

Maths

100

2

GASPARYAN, A.M.; ZAMINYAN, A.A.

Mechanism of particle fall in a viscous medium. Dokl. AN Arm.
SSR 26 no.1:39-46 '58. (MIRA 11:5)

I.Khimicheskiy institut Akademii nauk Armyanskoy SSR. Predstavleno
N.Kh. Arutyunyanom.
(Sedimentation and deposition)

GASPARYAN, A.M.; IKARYAN, N.S.

Restrained fall of amorphous particles. Dokl. AN ARM. SSR 26
no.2:95-101 '58. (MIRA 11:5)

1.Khimicheskiy institut Akademii nauk Armyanskoy SSR. Predstavleno
N.Kh. Arutyunyanom.

(Sedimentation and deposition)

3/173/59/012/04/02/003

AUTHORS: Gasparyan, A.M., Zaminyan, A.A.

TITLE: Constricted Drop of Particles

PERIODICAL: Izvestiya Akademii nauk Armyanskoy SSR, Seriya tekhnicheskikh nauk, 1959, Vol. 12, No. 4, pp. 23 - 26

TEXT: Processes involving a movement of suspensions in a liquid or gas medium are widely applied in industrial and technical fields, e.g., ore concentration. The suspended layer method is studied and tested in order to obtain more precise approximation equations on constricted drop of particles. Several approximation equations [Refs. 1 - 11] are discussed. Graphic presentation of equations (1) through (7) are shown in Figures 1 and 2. A description of three methods of measuring the velocity of the constricted drop of spheric particles (G) is presented. Following symbols are used: volumetric speed of the medium (Q), volumetric speed of solid phase (q), complete section of column (T), mass of particles (G), density of solid phase (p), height of suspended layer (l), diameter of column (D), diameter of particles (d). The principal features of the suspended layer method No. 1 are shown in Figure 3a. The volumetric concentration of particles is expressed by $\varphi = \frac{G}{D \cdot F \cdot l}$. Absolute vertical position

Card 1/4

✓

Constricted Drop of Particles

S/173/59/012/04/02/003

of the column is essential; a slight slant of only 1° can cause a deviation of 10 - 12% as shown by curves $C = f(\varphi)$ in Figure 4. The effect of the profile deformation of the flow on entering the suspension was determined by suspending glass globules of the 100 + 140 mesh fraction and quartz sand of 0.0133 cm. The results shown in Figure 5 prove that this influence is negligible. Experimental values of $(D : d)$, i.e., when the walls of the column bear no influence on the velocity of the constricted drop, are indicated in Figure 6; the unbroken line shows average values and the dotted line indicates the probable direction of extrapolation. Figure 7 shows experimental curves obtained by monodispersed aluminum silicate globules of $d = 0.29$ cm which were suspended under equal conditions in five columns of varying diameters. The influence of concentration φ on a decrease of C is shown in Table 1, i.e., the index of C corresponds to the curves in Figure 7. Method No. 2, i.e., direct measuring of C is shown in Figure 3a. The velocity of the constricted drop of particles is determined by $C = \frac{q}{F \varphi}$. This method was used by P.F. Yeremin [Ref. 18] but considerable errors are possible as a compound drop may occur in the column instead of a constricted drop. Method No. 3, i.e., the measuring of C in suspension flow was already described in Reference 19 and later experiments were carried out by

Card 2/4

VC

Constricted Drop of Particles

S/173/59/012/04/02/003

N.S. Ikaryan in the laboratory of the Academy of Sciences of the Armyanskaya SSR. From a large quantity of quartz sand 1.5 kg of an almost monodispersed fraction was obtained by a repeated hydraulic separation. Interrelation of $C = f$ of this fraction was determined by experimental suspension of the layer and measuring of C in the suspension flow. The layer suspension method provides reliable results in regard to laws governing the constricted drop of globular particles, of homogeneity, sphericity, monodispersion of particles, vertical position and proper diameter of column, and isothermic test conditions have been observed. This method can also be used for measuring the velocity of the constricted drop of shapeless particles, the principles of which differ from that of globular particles [Ref. 13]. Compared to other C measuring methods, the method of layer suspension offers the following advantages: simplicity, easy provision of isothermic conditions, if necessary also insulation from damp air, and low amount of solid phase required. The methods of measuring C in suspension flow is more complicated and requires a large quantity of solid phases. However, there are also advantages, i.e., the velocity of C can be measured in conditions similar to those of an continuous production process and can be employed for measuring C of low φ . The method of measuring C in the suspension flow is a satisfactory supplement to the method of layer suspension. There are 8 figures, 1 table and

Card 3/4

GASPARYAN, A.M.

82528
S/173/59/012/05/04/009

10. 4000
AUTHORS:

Gasparyan, A.M.; Zaminyan, A.A.

TITLE:

Constricted Drop of Monodispersed Spherical Particles (Communication 2)

PERIODICAL:

Izvestiya Akademii nauk Armyanskoy SSR, 1959, Vol 12. No 5, pp 31 - 46

TEXT:

The authors referring to Part I of this article published in No 4, 1959, pp 23 - 34 of this periodical dealing with the same problem and based on equation $C = KC_0 m^n$, investigate in this article the constricted drop of similar spherical particles. To obtain more precise data on values K and n, and on their relation to the Reynolds number further tests have been carried out using following types of globules: glass (Fig. 1), paraffin, obtained by the method shown in Figure 2, lead, steel and aluminosilicate. The degree of equality and exact proportions of globules were determined by measuring, the results of which are shown in Table 1, whereas the basic data are shown in Table 2. As mediums were used: water at temperatures of 10-90°C, aqueous glycerin solutions (20-95% glycerin), soda solution of 1.05 g/cm³ density and bromoform with a density of 2.87 g/cm³. The rate of the con-

Card 1/3

X

82528

10, 4000

S/173/59/012/05/04/009

Constricted Drop of Monodispersed Spherical Particles (Communication 2)

stricted drop (C) was recorded by six different methods: 1-low consumption expansion by water at room temperature (Fig. 3); 2-expansion at high temperatures (Fig. 4); 3-processing with high water consumption; 4-processing with a limited quantity of medium (Fig. 5); 5-processing with concentrated glycerin solutions at 80-100°C (Fig. 6); suspension of particles of a lower density than the medium (Fig. 7). Fourty seven series of tests were carried out, the results of one of them (No 43) are shown in Table 3. The recording was done according to method No 1 and following symbols were used: V-volume of suspended layer in cm^3 ; Q-water consumption in cm^3/sec ; t-temperature of medium °C; C-rate of drop in the free section of column, in cm/sec ; φ -volumetric portion of solid suspension. The curve $C = f(\varphi)$ (Fig. 8) was obtained according to C and φ in Table 3. Basic characteristics of all 47 tests are shown in Table 4 in which following symbols were used: Re-free drop of particles, C_0 values were calculated according to Lyashchenko's method and marked by triangles; experimental C_0 values were determined graphically and the K value of Equation 1 as correlation of these two C_0 . Value n of Equation 1 was established by a slant of the straight line in the coordinates $\lg C_0$ versus $\lg m$. In Figures 9, 10, 11 and 12 the same series of

Card 2/3

S/081/61/000/005/004/024
B102/B202

AUTHORS: Grigoryan, A. M., Zaminyan, A. A.

TITLE: Decelerated fall of spherical particles

PERIODICAL: Referativnyy zhurnal. Khimiya, no. 5, 1961, 321, abstract
5M12 (5I42) ("Kimja inst. eserleri. AzerbSSR Yelmler Akad.,
Tr. In-ta Khimii. AN AzerbSSR, 1959, 17, 106-113)

TEXT: The authors studied the process of the decelerated fall of spherical particles in the interval of the Reynolds numbers $Re = 0.012-700$. The velocities of the decelerated fall of glass balls of a diameter of 50-300 μ m of lead balls were measured in water and glycerin solution at temperatures of from 10-95°C by the method of the suspended layer. The experimental data are given in the form of diagrams (relative velocity of the decelerated fall as a function of Re). The authors obtained equations for determining the relative velocity of the decelerated fall which are analogous to the equations by P. V. Lyashchenko (Gravitatsionnyye metody obogashcheniya (Gravitational methods of enrichment), 1940). See also RZhKhim, 1960, no. 24, 96723. [Abstracter's note: Complete translation.]

Card 1/1

GASPARYAN, A.M.; ZAMINYAN, A.A.

Vertical motion of a monodisperse suspension. Dokl. AN Arm. SSR
28 no.3:127-131 '59. (MIRA 12:7)

1. Predstavleno akademikom AN ArmSSR N.Kh.Arutyunyanom.
(Colloids) (Dynamics of a particle)

GASPARYAN, A.M.; ZAMINYAN, A.A.

Vertical motion of a polydisperse suspension. Dokl. AN Arm. SSR 31
no3:153-159 '60. (MIRA 13:12)

1. Institut organicheskoy khimii Akademii nauk Armyanskoy SSR.
Predstavleno akademikom AN Armyanskoy SSR I.V.Yegiazaryanom.
(Suspensions (Chemistry))

GASPARYAN, A.M.; MELIKYAN, E.A.

Some processes of chemical technology taking place in a flow of
of suspension. Dokl. AN Arm. SSR 33 no.1:7-14 '61. (MIRA 14:9)

1. Institut organicheskoy khimii AN Armyanskoy SSR. Predstavleno
akademikov AN Armyanskoy SSR N.KHArutyunyanom.
(Suspensions (Chemistry)) (Hydrodynamics)

GASPARYAN, A.M., prof.; TKACHUK, V.N., kand.med.nauk

Functions of the Student Scientific Society of the First
Leningrad Medical Institute. Zdrav. Ros. Feder. 8 no.2:25-28
F'63 (MIRA 17:3)

GASPARYAN, A.M., prof. (Leningrad)

"Hypospadias and its treatment" by N.E.Savchenko. Reviewed by
A.M. Gasparian. Urologia 28 no.3: 77-79 '63 (MIRA 17:2)

GASPARYAN, A.M., prof. (Leningrad)

Hungarian Urological Congress. Urologia 28 no. 5:78-81
S-0'63 (MIRA 17:4)

GASPARYAN, A.M.; AKOPYAN, R.Ye.

Centralized pneumatic distribution of materials. Khim. prom.
no.6:473-474 Je '64. (MIRA 18:7)

GASPARYAN, A.M.; IKARYAN, N.S.

Shape and hydrodynamic characteristics of solid particles. Dokl.
AN Arm. SSR 38 no.3:163-168 '64. (MIRA 17:6)

1. Institut organicheskoy khimii AN Armyanskoy SSR. Predstavleno
akademikom AN Armyanskoy SSR I.V.Yegiazarovym.

L 61004-55 EWF(1)/EWP(m)/EWA(d)/FCS(k)/EWA(1) Pd-1

ACCESSION NR: AP5018664

UR/0173/65/018/003/0045/0058

AUTHORS: Isaakyan, S. M.; Gasparyan, A. M.

25
24
B

TITLE: On the interaction mechanism of solid bodies with a viscous fluid in a two-phase flow

SOURCE: AN ArmSSR. Izvestiya. Seriya tekhnicheskikh nauk, v. 18, no. 3, 1965, 45-58

TOPIC TAGS: viscosity, viscous flow, viscous fluid

ABSTRACT: This investigation, an extension of the work of A. M. Gasparyan and A. A. Zaminyan (O mekhanizme padeniya chastits, v vyaskoy srede. DAN, ArmSSR, t. XXVI, 1, 1958), was undertaken to clarify existing discrepancies in the literature concerning the mechanism of the interaction between solid particles and a viscous fluid in a state of relative motion. Motion pictures of the consecutive vertical movement of two steel balls through 30 different glycerine-water solutions (extending of the region of Reynolds numbers from 0.0035 to 0.5) were made. The experimental results are represented by the empirical relationships

$$\frac{U_s}{U_e} = 1 + 2 \left(\frac{a}{l} \right)^{1.08}$$

Card 1/2

L-61004-65

ACCESSION NR: AP5018664

and

$$\frac{U_2 - U_1}{U_0} = 0,261 \cdot Re^{0,728} - 5,37 \cdot 10^{-3} Re^{0,8},$$

where U_0 , U_1 , and U_2 is the velocity of the free fall for the upper and lower ball respectively; a - the radius of the ball, l - the distance between the falling balls and Re - the Reynolds' number. It is concluded that Ozeen's solution of the problem (Handbuch der Experimental Physik, b. 4, 1, teil 206) corresponds closer to reality than Stokes' solution. It was observed that, in the region of $l/a = 50 - 150$, there occurs a retardation of the lower ball, a phenomenon not previously considered in existing theories on the motion of two balls through viscous media. Orig. art. has: 2 tables, 4 graphs, and 17 equations.

ASSOCIATION: Institut organicheskoy khimii, AN Armyanskoy SSR (Institute of Organic Chemistry, AN Armenian SSR)

SUBMITTED: 26Jun64

ENCL: 00

SUB CODE: ME

NO REF SOV: 001

OTHER: 006

Card

2/2

GASPARYAN, A.M.; AKOPYAN, R.Ye.

Pneumatic transportation of finely dispersed materials in a solid layer. Khim.prom. 41 no.7:515-521 J1 '65.

(MIRA 18:8)

1. Institut organicheskoy khimii AN Armyanskoj SSR.

L 23573-66

ACC NR: AP6002598

(A)

SOURCE CODE: UR/0286/65/000/023/0093/0093

AUTHORS: Gasparyan, A. M.; Akopyan, R. Ye.; Avetsiyan, G. M.; Mirzakhanyan,
R. M.

ORG: none

TITLE: Chamber feeder for pneumatic transport equipment. Class 81, No. 176821

SOURCE: Byulleten' izobreteniy i tovarnykh znakov, no. 23, 1965, 93

TOPIC TAGS: pneumatic device, pipeline

ABSTRACT: This Author Certificate presents a chamber feeder for pneumatic transport equipment. The feeder consists of a cylindrical chamber in the lower portion of which an annular porous duct is mounted, feeding compressed air into the cylinder. The inlet end of the material duct, where mixing of the friable material with air occurs, is placed near the duct (see Fig. 1). To eliminate sources of caking of the friable material and to uniformly discharge the chamber of friable material, the annular porous duct is made of sectors separated from each other, each of which is connected through an inlet tube to a common compressed air distributor of the plug type. The distributor plug which rotates

Card 1/2

UDC: 621.867 82:621.86.067.2

L 23573-66

ACC NR: AP6002598

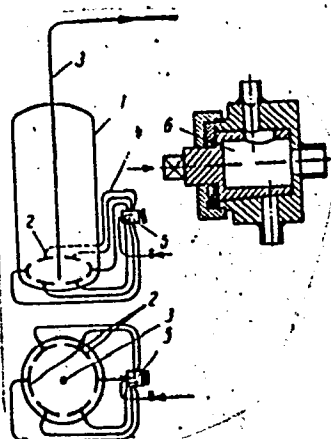


Fig. 1. 1 - cylindrical chamber; 2 - sectors of porous duct; 3 - inlet end of material duct; 4 - inlet tube; 5 - common compressed air distributor; 6 - plug.

provides successive feed of compressed air into each sector. Orig. art. has: 1 diagram.

SUB CODE: 13/

SUBM DATE: 27Jun64

Card 2/2

PB

22087

Isosyan, I. I. ^R / I. I. Bronshteyn (Urolog. 1887--1940, Urolog.) ^V / rachet dolo,
1940, No. 9, stb 663-64, s. portr.

SO: Ietopis' Zhurnal'nykh Statsy, No. 19, Moskva, 1940.

GASPARYAN, A.M.

Experience in treating renal tuberculosis. Urologia no.2:
8-14 Ap-Je '55. (MLRA 8:10)

1. Iz urologicheskoy kliniki (zav.--prof. A.M.Gasparyan)
I Leningradskogo meditsinskogo instituta imeni akad. I.P.
Pavlova (dir.--dotsent A.I.Ivanov)
(TUBERCULOSIS, RENAL, therapy)

GASPARYAN, A.M., professor; PORTNOY, A.S.

Single-stage transvesical prostatectomy in prostatic hypertrophy.
Urologia no.4:10-15 O-D '56. (MIRA 9:12)

1. Iz kafedry urologii (zav. prof. A.M.Gasparyan) I Leningradskogo
meditsinskogo instituta iemni akad. I.P.Pavlova (dir. - dotsent
A.I.Ivanov)

(PROSTATE HYPERTROPHY, surgery,
transvesical one-stage technic)

GASPARYAN, A.M., professor; TKACHUK, V.N.

The role of S.P.Fedotov in the development of urology in Russia; on the 20th anniversary of his death. Urologiia 21 no.3:3-7 J1-S '56.
(MLRA 9:12)

1. Iz kafedry urologii (zav. - prof. A.M.Gasparyan) I Leningradskogo meditsinskogo instituta imeni akad. I.P.Pavlova (dir. - dotsent A.I. Ivanov)

(UROLOGY

contribution of S.P.Fedotov)

(FEDOTOV, SERGHI PETROVICH, 1869-1936)

GASPARYAN, A.M.
GASPARYAN, A.M., Prof.; PORTNOY, A.S., kand.med.nauk

Repeated nephrectomy. Urologia 22 no.5:21-25 S-O '57. (MIRA 10:12)

1. Iz kafedry urologii (zav. - prof. A.M.Gasparyan) I Leningradskogo meditsinskogo instituta imeni akad. I.P.Pavlova (dir. - dotsent A.I. Ivanov)

(NEPHRECTOMY
repeated)

ԳԱՏՔԱՐՅԱՆ Ա.Ա.

GASPARYAN, A.M.; ZAMINYAN, A.A.

Some problems in studying the constrained fall of particles and the method used in the experiment. Dokl. AN Arm. SSR 25 no.4:213-218 '57. (MIRA 11:2)

1. Khimicheskiy institut AN ArmSSR. Predstavleno N.Kh. Arutyunyanom.. (Chemistry, Physical and theoretical) (Sedimentation and deposition)

NIKIFOROVSKAYA, T.A.; SUPRUN, M.N.; GASPARYAN, A.M., prof., otv.red.;
SHEVCHENKO, F.Ya., tekhn.red.

[List of dissertations defended at the First Leningrad Medical
Institute from 1935 to 1958] Ukazatel' dissertatsii, zashchi-
shchennykh v I Leningradskom meditsinskom institute v 1935-1958 gg.
Leningrad, Medgiz, 1959. 83 p. (MIRA 14:12)

1. Leningrad. Pervyy Leningradskiy meditsinskiy institut.
(LENINGRAD--BIBLIOGRAPHY--DISSERTATIONS, ACADEMIC)
(BIBLIOGRAPHY--MEDICINE)

GASPARYAN, A.M., prof. (Leningrad)

Review of A.S. Mal'kov's "Nocturnal enuresis." Urologia 24 no.4:
80-81 J1-AG '59. (MIRA 12:12)
(URINE--INCONTINENCE) (MAL'KOV, A.S.)

GASPARYAN, A.M., prof. (Leningrad)

Teaching of urology in medical institutes. Urologia 24 no.5:51-55
S-0 '59. (MIRA 12:12)
(UROLOGY educ.)

ABRAMYAN, A.Ya., prof.; ATABEKOV, D.N., prof.; VOROBTISOV, V.I., kand.
med. nauk; GASPARYAN, A.M., prof.; GREBENSHCHIKOV, G.S., prof.;
DZHAVAD-ZADE, M.D., kand. med. nauk; DUNAYEVSKIY, L.I., dots.,
prof.; LOPATKI, N.A., dots.; POMERANTSEV, A.A., dots.;
PYTEL', A.Ya., prof.; RIKHTER, G.A., prof.; RUSANOV, A.A.,
prof.; SMIRNOV, A.V., prof.; SYROVATKO, F.A., prof.;
TSULUKIDZE, A.P., prof.; SHAPIRO, I.N., prof.; EPSHTEYN, I.M.,
prof.; PETROVSKIY, B.V., prof., otv. red.; BAKULEV, A.N.,
akademik, red.; GULYAYEV, A.V., prof.; YEGOROV, B.G., prof.,
red.; KUPRIYANOV, P.A., prof., red.; PANKRAT'YEV, B.Ye., prof.,
red.; FILATOV, A.N., prof., red.; CHAKLIN, V.D., prof., red.
GORELIK, S.L., red.; GABERLAND, M.I., tekhn. red.

[Multivolume manual on surgery] Mnogotomnoe rukovodstvo po
khirurgii. Moskva, Gos. izd-vo med. lit-ry. Vol.9. [Surgery
of the urinary and genital organs and the retroperitoneal
space] Khirurgia mochevykh i polovykh organov i zabriushin-
nogo prostranstva. 1959. 630 p. (MIRA 15:4)

1. Deystvitel'nyy chlen Akademii meditsinskikh nauk SSSR (for
Petrovskiy, Yegorov, Kupriyanov).

(RETROPERITONEAL SPACE—SURGERY)
(GENITOURINARY ORGANS—SURGERY)

GASPARYAN, A. M.

Life and work of S. N. Lisovskaia; on the 19th anniversary of
her death. Urologiia no.6:82-83 '61. (MIRA 15:4)

(LISOVSKAIA, SOF'IA NIKOLAEVNA, 1876-1951)

GASPARYAN, A.M., prof. (Leningrad)

Recurrent pyelotomies and nephrotomies. Urologiia no.1:20-23
'62. (MIRA 15:11)

(CALCULI, URINARY)

GASPARYAN, A.M.; IKARYAN, M.S.

Constrained fall of particles. Part 5. Amorphous particles.
Experimental test of the pseudo-particle theory. Izv. AN Arm.
SSR. Ser. tekhn.nauk 15 no.4:53-64 '62. (MIRA 15:9)

1. Institut organicheskoy khimii AN Armyanskoy SSR.
(Particles)

GASPARYAN, A.M.; AKOPIAN, R.Ye.; KAZANCHYAN, Zh.A.

Obtaining a two-phase flow with constant composition. Izv. AN
Arm. SSR. Ser. tekhn. nauk 15 no. 6:49-56 '62. (MIRA 16:2)

1. Institut organicheskoy khimii AN Armyanskoy SSR.
(Phase rule and equilibrium)

GASPARYAN, A.M.; IKARYAN, N.S.

Motion of shapeless particles in a viscous medium. Dokl. AN
Arm.SSR 35 no.1:41-48 '62. (MIRA 15:8)

1. Institut organicheskoy khimii AN Armyanskoy SSR. Predstavleno
akademikom AN Armyanskoy SSR I.V.Yegizarovym.
(Dynamics of a particle)

GASPARYAN, A.M.; ZAMINYAN, A.A.; IKARYAN, N.S.

Testing of equations describing the vertical motion of a
polydisperse suspension. Izv. AN Arm. SSR. Ser. tekhn. nauk 16
no.1:29-40 '63. (MIRA 16:6)

(Chemical equations)

GASPARYAN, A.M.; MELIKYAN, E.A.

Problems in the hydrodynamics of mass transfer in a two-phase
flow. Zhur.prikl.khim. 36 no.3:594-604 My '63. (MIRA 16:5)
(Mass transfer) (Chemical apparatus--Fluid dynamics)

GASPARYAN, A.M., prof. (Leningrad)

Review of N.Z.Minchin's book "Urolithiasis." Urologia. 29 no.2:
81-82 Mr-Ap '64. (MIRA 18:7)

S/173/60/013/006/002/002
A114/A133

AUTHORS: Gasparyan, A. M., and Ikaryan, N. S.

TITLE: Constricted fall of particles. On the maximum rate of flow of the solid phase (3rd continuation)

PERIODICAL: Akademiya nauk Armyanskoy SSR. Izvestiya. Seriya tekhnicheskikh nauk, v. 13, no. 6, 1960, 51 - 56

TEXT: If a column is filled with a liquid and a monodispersed solid phase is added through a tube a suspension originates, while the particles, if they are spheric, will drop with the velocity of the constricted fall C, as determined by the following equation:

$$C = KC_0 m^n = KC_0 (1-\psi)^n \quad (1)$$

where K = constant, C = velocity of a free falling particle, m = porosity of the suspension and n = power factor depending on the Reynolds number. According to this equation the velocity of the vertical fall of the suspension decreases with the increase of the concentration of the originating suspension. The rate of flow of the solid phase (q) through any cross-sectional area O—O has a maximum and is:

Card 1/5

Constricted fall of particles. On the maximum rate...

S/173/60/013/006/002/002
A114/A133

$$q = C\varphi = KC_0 m^n (1-m) \quad (2)$$

By differentiation of this equation and by comparing the derivative with zero the values of porosity m' or concentration φ' are found at which rate of flow q attains its maximum;

$$m' = \frac{n}{n+1} \quad (a); \quad \varphi' = \frac{1}{n+1} \quad (b); \quad n' = \frac{1-\varphi'}{\varphi'} \quad (c). \quad (3)$$

$$q_{\max} = C' \varphi' \quad (4)$$

where m' = porosity, φ' = concentration and C' = velocity of the constricted fall corresponding to the maximum flow or to φ' . According to laboratory test results [Ref. 1: A. M. Gasparyan and A. A. Zaminyan, Izvestiya Akademii nauk Armyanskoy SSR. Seriya tekhnicheskikh nauk, 1959, no. 5. XII] monodispersed spherical particles (n) have the following values: $n = 5$, for the laminar region ($Re \leq 0.5$); $n = 2.65$, for the turbulence region ($Re \geq 500$), and

$$n = 4.65 - 0.74 \lg Re \quad (5)$$

for the transitional region. A table shows various experimental and calculated

Card 2/5

S/173/60/013/006/002/002
A114/A133

Constricted fall of particles. On the maximum rate...

values of 47 series of experiments with particles in a wide range of the Reynolds number, between 0.0126 and 2960. As long as into the solid phase is filled in lesser than $q_{max} = C' \varphi'$, the whole phase, forming a suspension, will fall and accumulate on the bottom. In case volume q of the filled-in solid phase is larger than q_{max} , the difference $\Delta q = q - q_{max}$ can not submerge and will therefore accumulate in the area A - A and emerge. The authors treated above only the case I when the sum of the volumes of both phases moving in both vertical directions through the cross-section area O - O is equal zero, i.e. when the flow of both phases in both directions is equal. In case II a certain amount of liquid or suspension is being discharged through a tap and in case III a certain amount q of liquid is injected:

$$Q = Wq \quad (8)$$

The speed l of fall of the suspension is:

$$l = C + Q = K G_0 m^n + Wq \quad (\text{Case II}) \quad (9)$$

$$l = C - Q = K G_0 m^n - Wq \quad (\text{Case III}) \quad (9a)$$

The rate of flow q of the solid phase is:

Card 3/5

s/173/60/013/006/002/002
A114/A133

Constricted fall of particles. On the maximum rate...

$$q = \frac{C\varphi}{1 - W\varphi} = \frac{KG_0 m^n (1-m)}{1 - W + Wm} \quad (\text{Case II}) \quad (13)$$

$$q = \frac{C\varphi}{1 + W\varphi} = \frac{KG_0 m^n (1-m)}{1 + W - Wm} \quad (\text{Case III}) \quad (13a)$$

whereas the porosity m' at the maximum flow is:

$$m' = \frac{2nW - (n+1) \pm \sqrt{(n+1)^2 - 4nW}}{2nW} \quad (\text{Case II}) \quad (14)$$

$$m' = \frac{2nW + (n+1) \pm \sqrt{(n+1)^2 + 4nW}}{2nW} \quad (\text{Case III}) \quad (14a)$$

A figure shows the function $q = f(\varphi)$, a set of curves for various W values, according to Equations (13) and (13a). Then the significance of W is widely discussed and the following values are given: $W = 0$ for case I, $W \geq 0$ for case II and $W \leq 0$ for case III. The authors' conclusion is: 1) A maximum rate of flow of particles can be reached if they descend in a resting or slightly stirred liquid medium; 2)

Card 4/5

Constricted fall of particles. On the maximum rate...

S/173/60/013/006/002/002
A114/A133

The power factor n in equation (1) does not vary linearly in the transitional region as a function of $\lg Re$, as expressed in equation (5). However, the degree of approximation is sufficient for the practical use. There are 4 figures and 2 Soviet-bloc references.

ASSOCIATION: Institut organicheskoy khimii Akademii nauk Armyanskoy SSR (Institute of Organic Chemistry of the Academy of Sciences of the Armyanskaya SSR)

SUBMITTED: April 18, 1960

Card 5/5

ALLAVERDYAN, S.N.; BALASANYAN, M.I.; GASPARYAN, E.A.

Preparation of a leukocytic mass. Probl.gemat.i perel.krovi
no.5:44-47 '61. (MIRA 14:9)

1. Iz Nauchno-issledovatel'skogo instituta gematologii i pereli-
vaniya krovi imeni prof. P.O. Yeolyana (dir. K.A. Antonyan)
Ministerstva zdravookhraneniya Armyanskoy SSR.
(LEUCOPENIA) (LEUCOCYTES)
(BLOOD—COLLECTION AND PRESERVATION)

AKOPYAN, S.A.; BALASANYAN, M.I.; ANTONYAN, K.A.; PAPOYAN, S.A.; AVETYAN,
S.G.; GASPARYAN, E.A.; PKHRIKYAN, Zh.A.; ARUTYUNYAN, T.G.

Immunobiological changes during septicopyemic processes in animals
afflicted with radiation sickness. Izv. AN Arm. SSR. Biol. nauki
13 no.8:45-59 Ag '60. (MIRA 13:9)

1. Kafedra fiziologii cheloveka i zivotnykh Yerevanskogo gosudar-
stvennogo universiteta, Nauchno-issledovatel'skiy institut pereli-
vaniya krovi Ministerstva zdravookhraneniya Armyanskoy SSR i Nauchno-
issledovatel'skiy institut rentgenologii i onkologii Akademii nauk
Armyanskoy SSR.

(RADIATION SICKNESS)
(LEUCOCYTES)

(SEPTICEMIA)

95. Mineral Metabolism and Composition of Blood of Patients With Eye Tuberculosis Studied

Potassium, calcium, magnesium, sodium and phosphorus content of the blood serum of 40 patients suffering from various forms of eye tuberculosis was investigated in the article, "Mineral Composition of Blood of Patients With Tuberculosis of the Organs of Vision After Treatment with Vitamin D and Streptomycin," by E. I. Gasparyan, before, during, and after treatment with vitamin D₂ and streptomycin. It was found before treatment that potassium and inorganic phosphorus are increased and very often calcium also. According to the author, treatment with vitamin D₂ led to increased calcium concentration and an irregular fluctuation in calcium, magnesium, and phosphorus content. Treatment with streptomycin led to decreased calcium, magnesium and phosphorus concentration.

The author concludes that although tuberculosis of the eyes is a local symptom of a general tubercular disease, it is also characterized by the decreased reactivity of the organism as a whole and by the absence of profound disturbances. (Vestnik Oftalmologii, No 5, 1956, p 38, from Referativnyy Zhurnal--Kimiya, Biologicheskaya Khimiya, No 7, 10 Apr 57, p 98, Abstract No 7718) (U)

Sum 1429

CASPIRYAN, E.I.

USSR/Human and Animal Morphology - Metabolism

R-3

Abs Jour : Referat Zhur - Biologii, No 16, 1957, 70445

Author : Gasparian, E.I.
Title : Disturbance of Histamine Metabolism in Malaria

Orig Pub : Tr. Erevansk. med. in-ta 1956, vyp. 8, 253-263

Abstract : No abstract.

Card 1/1

- 93 -

GASPAR V.A. E.I.
VOROSHILOVA, K.A.; GASPARYAN, E.I. (Moskva)

Primary sarcoma of the lung with involvement of the heart muscle.
Arkh. pat. 19 no.1:75-78 '57 (MLRA 10:4)

1. Iz kafedry fakul'tetskoy khirurgicheskoy kliniki (zav.-prof. N.M. Yelanskiy) i kafedry patologicheskoi anatomii (zav.-prof. A.I. Strukov) I Moskovskogo ordena Lenina meditsinskogo instituta imeni I.M. Sechenova.

(LUNG NEOPLASMS, case reports
sarcoma, involvement of heart)

(HEART, neopl.
sarcoma, of lung with involvement of heart)

(SARCOMA, case reports
lung, with involvement of heart)

GASPARYAN, E.I. (Moskva)

Morphology of the processes of multiplication and growth of peripheral ganglia in children who died from pneumonia [with summary in English].
Arkh.pat. 19 no.12:66-72 '57. (MIRA 11:2)

1. Iz kafedry patologicheskoy anatomii (zav. - chlen-korrespondent AMN SSSR prof. A.I.Strukov) I Moskovskogo ordena Lenina meditsinskogo instituta imeni I.M.Sechenova.

(GANGLIA, pathol.

multiplication & growth of peripheral ganglia in pneumonia in child., autopsy findings)

(PNEUMONIA, in inf. and child.

multiplication & growth of peripheral ganglia, autopsy findings)

GASPARYAN, B.I., Cand Med Sci — (disc) "Changes in the nervous system
discovery pneumonia in children of early age." Mos, 1958. 15 pp (First Mos
Order of Lenin Med Inst in I.I. Sechenov), 200 copies (17,24-50, 123)

GASPARYAN, E.I.

Changes in the nervous system in pneumonia in small children [with
summary in English]. *Pediatria* 36 no.3:73-80 Mr '58. (MIRA 11:3)

1. Iz kafedry patologicheskoy anatomii (zav.-chlen-korrespondent
AMN SSSR prof. A.I.Strukov) I Moskovskogo meditsinskogo instituta
imeni I.M.Sechenova.
(NERVOUS SYSTEM--DISEASES) (PNEUMONIA)

GASPARYAN, E.I., kand.meditsinskikh nauk

Treatment of trachoma with terramycin on the "Severnyi Maiak"
collective farm in Tashkent Province. Med. zhur. Uzb.
no. 9:62-63 S '60. (MIRA 13:10)

1. Iz glaznoy kliniki (zav. - dotsent T.Ya. Kasymov)
Tashkentskogo gosudarstvennogo meditsinskogo instituta.
(TASHKENT PROVINCE—CONJUNCTIVITIS, GRANULAR)
(TERRAMYCIN)

GASPARYAN, E.I., kand.med.nauk; GEVORKYAN, S.M., mladshiy nauchnyy sotrudnik

Rare late complication following cesarean section. Akush.i gin.
no.5:117-118 '61. (MIRA 15:1)

1. Iz Nauchno-issledovatel'skogo instituta akusherstva i gineko-
logii imeni N.K. Krupskoy Ministerstva zdravookhraneniya Armyan-
skoy SSR (dir. - zasluzhennyy deyatel' nauki prof. P.A. Markaryan).
(CESAREAN SECTION)

GASPARYAN, E.I.

Tuberculosis of the eyes combined with tuberculosis of the lungs and other organs; based on materials of the eye clinic of the Tashkent State Medical Institute for the 10 years from 1948 to 1959. Sbor.nauch.trud.TashGMI 22:234-238 '62.

Present-day therapy of tuberculous uveitis. Ibid.:244-252

(MIRA 18:10)

1. Iz kafedry glaznykh bolezney Tashkentskogo gosudarstvennogo meditsinskogo instituta (zav. kafedroy - dotsent T.Ya.Kasymov).

MOVSESIAN, I.A.; GASPARYAN, E.I.

Functional and morphological parallels of some indices of liver
function in spasmatic states of various nature in dogs. Zhur.eksp.
i klin. med. 4 no.1:3-8 '64. (MIFA 17:9)

1. Kafedra normal'noy fiziologii i kafedra patalogicheskoy anatomii
Yerevanskogo meditsinskogo instituta.

GASPARYAN, E.I.

Rare case of a localized combined lymphogranulomatosis lesion
of the stomach and intestine. Zhur.eksp.i klin.med. 4
no.5:97-103 '64. (MIRA 18:11)

1. Kafedra patologicheskoy anatomii Yerevanskogo medi-
tsinskogo instituta.

GASPARYAN, G. S.

"Some Experimental Data on the Change of Appearances and Types of Dysenteric Stimulants of Monkeys"
p. 25

in book publ. by Inst. Experimental Pathology and Therapy, Acad. Medical Sci. USSR, Problems of Infectious Pathology in Monkey Experiments, Editor, B. A. Lapin (Cand. Medical Sci.) Sukhumi, 1958.

GASPARYAN, I. G.

12

Discovery of some native minerals in alluvium and in the artificial shores in Sevan Lake Basin. I. G. Gasparian. Izv. Akad. Nauk Armyan. S.S.R. Fiz.-Mat. Nauk. Ser. Tekh. Nauki 9, No. 6, 69-65 (1956) (in Russian; Armenian summary, 65-6). -- The intrusive rocks include basic and ultrabasic rocks and granodiorites. Native gold, tin, and mercury were discovered. Accessory minerals of gold: magnetite, chromite, sometimes cinnabar, native tin, apatite, sphene, zircon, carbonates, and quartz; accessory minerals of tin: gold, cassiterite, mercury, stibnite, cinnabar, pyrite, zircon, sphene, apatite, calcite, and quartz; accessory minerals of mercury: cinnabar, stibnite, tin, pyrite, magnetite, zircon, apatite, sphene, quartz, and plagioclase. M. Charmandarian.

Handwritten initials/signature

GASPARYAN, I.G.

Brief petrological and mineralogical characteristics of Tertiary
(sedimentary) formations in the Erivan region. Izv. AN Arm. SSR.
Ser. geol. i geog. nauk 11 no.3:47-54 '58. (MIRA 11:10)

1. Institut geologicheskikh nauk AN Armyanskoy SSR.
(Armenia--Petrology)

GASPARYAN, I.G.

Detection of amalgam and some native elements in sedimentary
rocks of the Erivan region. Izv.AN Arm.SSR. Geol. i geog.nauki
16 no.2:67-71 '63. (MIRA 16:9)

1. Institut geologicheskikh nauk AN Armyanskoy SSR.

GASPARYAN, I.G.

Celestine in Lower Tertiary sediments in Ekhegnadzor District of
the Armenian S.S.R. Izv. AN Arm.SSR. Geol.i geog.nauki 16
no.4/5:103-108 '63. (MIRA 16:12)

1. Institut geologicheskikh nauk AN Armyanskoy SSR.

FR 61/49T72

GASPARYAN, I. G.

USSR/Medicine - Tuberculosis - Jan/Feb 49
Therapy

Medicine - Extracts

"Preserved Tissues in the Therapy of Tuberculosis,"
Prof I. G. Gasparyan, Chair of Tuberculosis,
Tashkent Med Inst, 4 1/2 pp

"Prob Tuber" No 1

Transplantation of preserved skin and intramuscular
injection of extract of preserved placenta are
recommended as an independent method of treatment
in extrapulmonary tuberculosis such as that of the
peripheral lymphatic glands, exudative peritonitis

61/49T72

USSR/Medicine - Tuberculosis - Jan/Feb 49
Therapy (Contd)

and urogenital forms, and as an auxiliary treat-
ment to increase resistance in early forms of
tuberculosis of the larynx. In chronic cases,
15-20 injections over a prolonged period and
several transplantations can be made.

61/49T72

GASPARYAN, I.G., redaktor

[Problems in the clinical aspects and therapy of tuberculosis;
a collection of scientific papers] Voprosy kliniki i terapii
tuberkuleza; sbornik nauchnykh trudov. Tashkent, Izd-vo Akademii
nauk UzSSR, 1951. 190 p. (MLRA 10:3)
(TUBERCULOSIS)

GAJARYAN, I. G.

Uzbekistan - Tuberculosis

Review of Professor I. G. Gajaryan's monograph "Problems of types of tubercle bacilli of Uzbekistan." T. I. Nikhina. Probl. tub. No. 3, 1962.

9. Monthly List of Russian Accessions, Library of Congress, November 195⁶₂, Uncl.

GASPARYAN, I. G.

Epidemiology and clinical aspects of tuberculosis among Uzbegs. n.p. 1954. 59 p.

GASPARYAN, I.G., zasluzhennyi deyatel' nauki, prof. (Tashkent)

Pulmonary tuberculomas (caseoma). Klin.med. 34 no.8:77-79
Ag '56. (MIRA 12:8)

1. Iz kafedry tuberkuleza Tashkentskogo meditsinskogo instituta
ineni V.M.Molotova.
(TUBERCULOSIS, PULMONARY, pathol.
caseoma)

EXCERPTA MEDICA Sec 15 Vol. 10/10 Chest Diseases Oct 57

2599. GASPARYAN I.G. Tashkent, USSR. *On tuberculomas (caseomas)
of the lungs (Russian text) KLIN. MED. (Mosk.) 1956, 37/8 (77-79)

In the course of a number of years the author has observed 10 patients with typical (true) caseomas - with large encapsulated caseous foci with a diameter of 2.5 to 5 cm. and with a marked tendency to induration with lime salts. These caseomas were localized in the subclavicular and in the hilar area. In 8 patients the caseomas were single, in 2 patients - multiple. None of these patients ever showed a malignant course of caseoma, even in the presence of cavitation and acute exacerbations. Artificial pneumothorax in combination with chemotherapy or without it stopped the development of the process and led to persistent clinical healing.

References 8.

Soloveva - Moscow

GASPARYAN, Ivan Gavrilovich, prof.; VAKHIDOV, V.V., dots., spets.
red.; AVAKIMOVA, L.A., red.izd-va; SUKHANOV, P.P.,
tekhn. red.

[Tuberculomas of the lungs] Tuberkulomy legkikh. Tashkent,
Medgiz UzSSR, 1963. 76 p. (MIRA 17:3)

*

FRENKEL', S.Ya.; KUKHAREVA, L.V.; GINZBURG, B.M.; GASPARYAN, K.A.; VOROB'YEV, V.I.

Effect of the load on the transition order-disorder in native
collagen fibers. Biofizika 10 no.5:735-742 '65.

(MIRA 18:10)

1. Institut vysokomolekulyarnykh soyedineniy AN SSSR, Leningrad i
Institut tsitologii AN SSSR, Leningrad.

GASPARYAN, K.M.

Feeding conditions of the bezoar goat (*Capra aegagrus* Erxl.) on
the Urta (Saraybulag) Range. Izv. AN Arm. SSR. Biol. nauki 17 no.2:
85-100 F '64. (MIRA 17:3)

1. Zoologicheskii institut AN Armyanskoy SSR.

GASPARYAN, K.T.

Functional state of the liver in hepatocolelucystitis. Zhur.
eksp. i klin. med. 4 no.2:89-93 '64. (MIRA 17:8)

DOLABCHYAN, Z.L.; GASPARYAN, K.T.

Electrocardiographic observations in hepatocholecystitis. Zhur.
eksp. i klin. med. 5 no.1:74-77 '65. (MIRA 18:10)

1. GASPARI'YAN, L. A.
2. USSR (600)
4. Iron Founding
7. Technological and economic effectiveness of using quick-drying foundry sand mixtures.
Lit.proizv. No. 12 1952.

9. Monthly List of Russian Accessions, Library of Congress, April 1953, Uncl.

GASPARYAN, L.A., kand. tekhn. nauk

Calculation of magnetic amplifiers with feedback and minimum
weight displacement. Trudy MEI no.39:241-256 '62.
(MIRA 17:6)

GEZALYAN, L.S., kand. biolog. nauk; GASPARIAN, L.A., nauchnyy
sotrudnik

Effect of cerebellum injury on the peripheral blood of irradiated
rats. Vop. radiobiol. [AN Arm. SSR] 3/4:151-157 '63.

(MIRA 17:6)

GASPARYAN, L.A.

Effect of vacuum treating the mold cavity on parameters of the
process and gas content of castings in die casting. Lit. proizv.
no.3:32-35 Mr '65. (MIRA 18:6)

86758

S/120/60/000/006/034/045
E032/E314

21.5200 (1033, 1191, 1349)

AUTHORS: Gasparyan, L.G., Matoyan, D.S. and Melikyan, E.G.

TITLE: A Reflected-light Illuminator for Use in Scanning
Thick Photographic Emulsions

PERIODICAL: Pribory i tekhnika eksperimenta, 1960. No. 6,
p. 121

TEXT: In following long tracks of relativistic particles in
thick photographic emulsions, considerable eye strain is
involved on account of the apparent low contrast of the image.
In order to increase this contrast, the present authors have
used a reflected-light illuminator (type OU-2 (OI-21)).
This illuminator is shown in Fig. 1. The latter has the dis-
advantage that light reflected from various parts of it, as
well as the light coming from the object, enters the eyepiece.
The light is largely reflected from the end of the drive 1
and the lenses of the objective 2 (Fig. 1). These dis-
advantages were removed by the following modifications. The
drive 3 is replaced by the hollow tube 4 whose inner surface
is coated with a black matt paint (Fig. 2). The light

X

Card 1/4

86758

S/120/60/000/006/034/045
E032/E314

X

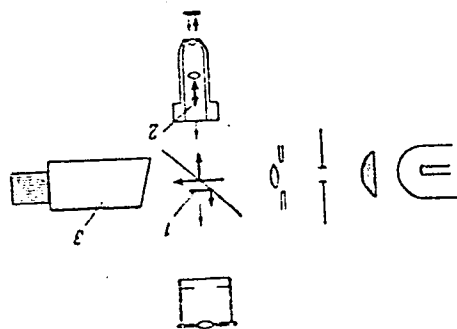
A Reflected-light Illuminator for Use in Scanning Thick Photographic Emulsions

reflected from the objective is reduced by using a ring-shaped aperture 5 in the light source. The external diameter of this ring is chosen so that its projection onto the objective is equal to the diameter of the top lens of the latter, while the inner diameter is chosen so as to obtain the maximum contrast. The distance between the illuminator and the microscope lies between 25 and 30 cm and the image of the track is then obtained in the form of bright points of light (silver grains) against a dark background. This method can also be used to study the surfaces of metals and biological specimens. Sometimes, it is convenient to make the inner disc 7 adjustable so that different effects of illumination can be obtained.

Card 2/4

S/120/60/000/006/034/045
E032/E314

A Reflected-light Illuminator for Use in Scanning Thick
Photographic Emulsions

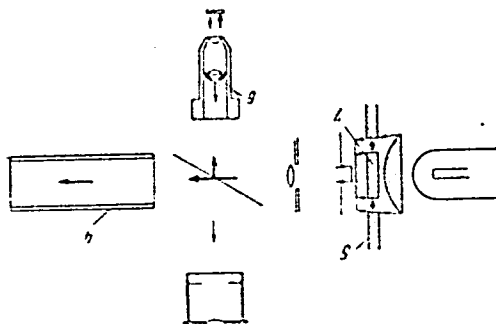


Card 3/4

86758

S/120/60/000/006/034/045
E032/E314

A Reflected-light Illuminator for Use in Scanning Thick
Photographic Emulsions



There are 2 figures.

ASSOCIATION: Yerevanskiy gosudarstvennyy universitet
Card 4/4 (Yerevan State University)

SUBMITTED: October 6, 1959

GEZALYAN, L.S.; GASPARYAN, L.A.

Effect of the cerebellum on the composition of peripheral blood
in white rats. . Izv. AN Arm. SSR. biol. nauki 16 no.8:37-41
Ag'65 (MIRA 17:4)

1. Sektor radiobiologii AMN SSSR.

ASPARYAN, M., nauchnyy sotrudnik; PENKOVA, R., nauchnyy sotrudnik.

Surface silos in Crimea. Nauka i pered. ot. v sel'khoz. 7
no. 3:16-17 '52. (MIRA 10:9)

1. Krymskaya sel'skokhozyaystvennaya opyt'naya stantsiya.
(Crimea--Ensilage)