

*CHYBOWSKI, B.*

**Chybowski B. Pressure Distribution in Water Pump Heating Equipments.**  
„Układ ciśnień w układach ogrzewań wodnych i pompowych”. Gaz,  
Woda i Technika Sanitarna. No. 11, 1954, pp. 333—336, 6 figs. *MN*

A description of conditions relating to pressure distribution, on which the correct functioning of central heating systems depends. On the basis of an example, the author discusses the pressure changes taking place in a pump system, together with pressure distribution in water pump heating equipment, operating under atmospheric pressure for the following kinds of central heating systems: — with inferior distribution and pump on the return or supply main, with overhead distribution and pump on the return or supply main, ceiling central systems with hot water conduits in the cellar, return mains in the attic, and a pump on the supply main.

CHYBOWSKI, B.

"Heating and ventilation of railway carriages," Gaz, Woda I Technika Sanitarna, Warszawa, Vol 28, No 6, June 1954, p. 173.

SO: Eastern European Accessions List, Vol 3, No 11, Nov 1954, L.C.

CHYBOWSKI, B.

Ventilation of apartments. p. 231.

GAZ, WCDA I TECHNIKA SANITARNA. (Stowarzyszenie Naukowo-Techniczne  
Inzynierow i Technikow Sanitarnych, Ogrzewnictwa i Gazownictwa)  
Warszawa, Poland, Vol. 32, no. 6, June 1958.

Monthly list of East European Accession (EEAI) LC, Vol. 9, no. 2, Feb. 1960

Uncl.

CHYBOWSKI, Bohdan, inz.; KAMLER, Witold, prof. mgr inz.;  
KOŁODZIEJCZYK, Leon, doc. dr inz.; MASZCZYNSKI, Edward, mgr inz.

Problem of using liquid fuels for central heating systems  
in Poland. Gaz woda techn sanit 37 no.4/5:118-123 Ap-My '63.

S/081/63/000/002/054/088  
B171/B102

AUTHORS: Chybowski, Sylwester, Erikson, Aleksander

TITLE: Preparation of adipic acid by the method of nitric acid oxidation of cyclohexanol

PERIODICAL: Referativnyy zhurnal. Khimiya, no. 2, 1963, 403; abstract 2N34 (Polish patent 45307, Dec. 27, 1961)

TEXT: 98%- solution of cyclohexanol (I) in glacial  $\text{CH}_3\text{COOH}$  and 40-60%  $\text{HNO}_3$  are continuously introduced into a reactor (RT); the reacting mass flows into a 2nd RT which is continuously supplied with a solution of I in the glacial  $\text{CH}_3\text{COOH}$ . At the same time air is sent through bubblers into both of the RT. The mass drains into a heater where the oxidation of I is completed, then into a crystallizer where the adipic acid (II) separates out. The suspension of II- crystals is fed into a filter system where II is filtered, washed and directed into a desiccator. The filtrate, containing 25-40% of  $\text{HNO}_3$  and 8% of II, is first fed into

Card 1/2

Preparation of adipic acid by the ...

S/081/63/000/002/054/088  
B171/B102

absorbing columns, where its  $\text{HNO}_3$  content is increased to 45-60%, then returned into the manufacturing process. The temperature is maintained at 60-90°C in both of the RT, at 70-90°C in the heater, and at 15-20°C in the crystallizer. The yield is ~80%. A similar example is given by describing the preparation of II by oxidation of I in the presence of V-Cu-oxidation catalyst (yield of 99.9%-II is ~90%). A flow sheet is given. The method ensures a practically complete utilization of  $\text{HNO}_3$ , and of oxides of N and II contained in mother liquors. [Abstracter's note: Complete translation.]

Card 2/2

CHYBOWSKI, S., mgr. inż.

After the International Congress of Industrial Chemistry in  
Belgrade. Chemik 16 no.12:373-375 D'63.

1. Zakłady Chemiczne, Bydgoszcz.

CHYBOWSKI Z.

Chrona zdrowia pracownika w przemyśle farb i lakierów (Health protection of the worker in the paint and lacquer industry), by Z. Chybowski. Reported in New Books (Nowe Książki), No. 7, April 1, 1956.



CHYBOWSKI, Z.

Handling cement in harbors. p. 45.

CEMENT, WAPNO, GIPS. (Wydawnictwo "Budownictwo i Architektura") Krakow,  
Poland. Vol. 13, no. 2, Feb. 1957.

Monthly list of East European Accessions Index (EEAI), LC, Vol. 8, no. 6,  
June 1959  
uncla.

CHYCKI, Andrzej, inż.; LASKOWSKI, Wladyslaw, mgr inż.; SOWA, Zbigniew, mgr inż.;  
KOSCIELNIAK, Adam, mgr inż.; MALINOWSKI, Kazimierz, mgr inż.;  
CYGAN, Ryszard, mgr inż.; DMITRENKO, Stefan, mgr inż.; LASKOWSKI,  
Wladyslaw, mgr inż.; BRONIKOWSKI, Adam; STASIKOWSKI, Henryk

Is the profession of a graduate engineer a creative one? Przegl  
techn 86 no.10:54. 18 Ap '65

CHYCKI, Marian, mgr inż.

Electric analog of the beam on an elastic base and its application in calculating the strength of a winding drum shell. Gornictwo Gliwice no.12:271-294 '64.

CHYCZENSKI, TADEUSZ

PUZIEWICZ, Jozef; CHYCZENSKI, Tadeusz.

Investigations on the effect of tubazolidine on isonicotinic acid hydrazide concentration in blood serum. Gruzlica 23 no.7:469-474 July '55.

1. Z Kliniki Gruzlicy A M we Wroclawiu. Kierownik: doc.dr. T. Garbinski i z Zakladu Technologii Skodkow Leczniczych A M Kierownik: prof.dr L. Kuczynski, Wroclaw, ul. Pasteura 10.

(NICOTINIC ACID ISOMERS, in blood,  
eff.of phenylbutazone)

(BLOOD,

nicotinic acid isomers, eff.of phenylbutazone)

(ANALGESICS, effects,

phenylbutazone, on blood nicotinic acid isomers)

CHYCZY, Kalman, dr.; KERKOVITS, Gyula, dr.

A simple method of ballistocardiography. Orv. hetil. 96 no.8:  
217-218 20 Feb 55.

1. A fovarosi Bajcsy Zsilinszky korhaz (igazgato: Andics Gabriella  
dr.) Kardiologiai Osztalyanak (vezeto-foorvos: Zarday Imre dr.  
az orvostudomanyok kandidatusa) kozlomenye.  
(BALLISTOCARDIOGRAPHY,  
technic)

RASKATOV, V.M., inzh.; KOKHTEV, A.A.; LELYANOV, V.A.; BESSONOVA,  
N.F.; VEYS, D.A.; KARABANOVA, L.T.; SILANT'YEV, M.G.;  
SITNICHENKO, A.I. [deceased]; CHYENKOV, V.S.; YARKOV, A.M.,  
inzh., retsenzent; GARANKINA, S.P., red.izd-va; TIKHANOV,  
A.Ya., tekhn. red.

[Brief handbook on materials used in the machinery industry]  
Kratkii spravochnik po mashinostroitel'nym materialam. Pod  
obshchey red, V.M.Raskatova. Moskva, Moskgis, 1963. 440 p.  
(MIRA 16:7)

(Materials)

CHYKIN, O.

Medicinal plants. Rab. i sial. 39 no.6:21 Js '63. (MIRA 16:9)  
(Botany, Medical)

CHYLA, H.

CHYLA, H. The causes of defects in buildings of clay. p. 11. Vol. 8, no. 12,  
Dec. 1956. BUDOWNICTWO WIFJSKIE. Warszawa, Poland.

SOURCE: East European Accessions List (EEAL) Vol. 6, No. 4--April 1957

---



CHYLA, H.

"Clay is a material worthy of a technician."

p. 20 (Budownictwo Wiejskie) Vol. 9, no. 11, Nov. 1957  
Warsaw, Poland

SO: Monthly Index of East European Accessions (EEAI) LC. Vol. 7, no. 4,  
April 1958

COUNTRY : CZECHOSLOVAKIA.  
CATEGORY : Zoological Parasitology. Parasitic Worms. G  
General Problems.  
APR. JOUR. : RZhBiol., No. 14, 1958, No. 62594.  
AUTHOR : Chyla, M.  
INST. : ~~INSTITUTE OF ZOOLOGY~~  
TITLE : Concerning the Differential Diagnosis of the  
Eggs of Fasciola hepatica and Paramphistomum  
cervi.  
ORIG. PUB. : Veterinarstvi, 1957, 7, No. 12, 361-363.  
ABSTRACT : No abstract.

CARD: 1/1

CHYLA, Marian, mgr inz.

Inductive hardening. Wiad hut 15 no.1:23-27 Ja '59.

CHYLA, Marian, mgr inz.

Induction hardening of tool steel. Wiad hutn 15 no.4:117-121  
Ap '59.

CHYLA, Marian, mgr inz.

Induction hardening of rollers for cold-rolling. Wiad hut  
15 no.7/8:223-230 JI-Ag '59.

CHYLA, Marian, mgr inz.; ROZWADOWSKI, Maciej, inz.

Thermal toughening of circular saw segments made of SW 9 steel.  
Wlad hut 16 no.2:44-48 F '60.

CHYIA, Marian, mgr inz.

Annealing of high-grade steel ingots. Wiad hut 18  
no.7/8:209-214 JI-Ag. '62.

CHYLA, Marian, mgr inz.

New method of thermal working og metals. Wiad hut 19 no.7/8:  
182-186 J1/Ag '63.



CHYLASZEK, Tadeusz, inż.; MROZ, Kazimierz, mgr.

Training of cadres for the metallurgic industry in vocational schools. Przegl mech 21 no.9/10:312-313. 10-25 My '62.

1. Kratorium Szkolnictwa Zawodowego, Krakow.

KORYCH, B.; CERNY, M.; SOUKUP, F.; MISAROVA, Z.; CERNA, M.; SIMANKOVA, N.;  
HOLECKOVA, E.; CHYLE, M.

Chromosomal characteristics of various lines of tissue cultures  
in Czechoslovakia. Acta univ. Carol. [med] (Praha):Suppl. 18:  
143-149 '64.

1. Ustav pro lekarskou mikrobiologii a imunologii fakulty vse-  
obecneho lekarstvi University Karlovy v Praze (prednosta: prof.  
dr. F. Patocka); Ustav obecne biologie fakulty vseobecneho lekarstvi  
University Karlovy v Praze (prednosta: prof. dr. B. Sekla) a  
I. detska klinika fakulty detskeho lekarstvi University Karlovy  
v Praze (prednosta: prof. dr. J. Svejcar).

KORYCH, Bohuslav; CHYLE, Milan; FRANEK, Jiri

The kinetics of multiplication of Teschen disease virus (TDV)  
in an established porcine kidney cell line (strain PK):  
Correlation between cell response and virus release. J. hyg.  
epidem. (Praha) 9 no.1:31-36 '65.

1. Department of Medical Microbiology and Immunology, Charles  
University Medical Faculty, Prague, and Military Institute of  
Hygiene, Epidemiology and Microbiology, Prague.

KORYCH, Bohuslav; CHYLE, Milan

Plaque formation by Teschen disease virus (TDV) in an established line of porcine kidney epithelial cells (strain PK). J. hyg. epidem. (Praha) 9 no.1:37-42 '65

1. Department of Medical Microbiology and Immunology, Charles University Medical Faculty, Prague.

CHYLE, Milan

Some characteristics of the Teschen disease virus. J. hyg.  
epidem. (Praha) 9 no.1s43-44 '65

1. Department of Medical Microbiology and Immunology, Charles  
University Medical Faculty, Prague.

|  |            |                              |
|--|------------|------------------------------|
| <del>L 52007-55</del> EWT(1)/T/EEG(b)-2 Pg-4/PI-4 IJP(e)   |            |                              |
| ACCESSION NR: APF015656  |            | CZ/0030/64/000/012/0357/0361 |
| AUTHOR: <u>Chylek, P. (Engineer)</u>   |            |                              |
| TITLE: Calculation of stigmatic systems with an aspherical surface   |            |                              |
| SOURCE: Jemna mechanika a optika, no. 12, 1964, 357-361  |            |                              |
| TOPIC TAGS: <u>optic image</u>   |            |                              |
| ABSTRACT: (Author's Czech summary modified) The article derives several methods of determining the aspherical surface of a stigmatic image that can be applied in various practical cases. Instructions also are given in the practical application of the given relations in the designing of optical systems. Orig. art. has 9 figures, 31 formulas, and 2 tables. |            |                              |
| ASSOCIATION: VVUZ PREMA, Brno  |            |                              |
| SUBMITTED: 00  | ENCL: 00   | SUB CODE: OP                 |
| NO REF SOV: 000  | OTHER: 010 | JPRS                         |
| Card 1/1 <i>llc</i>  |            |                              |

20  
B

SVOBODA, J.; LANDA, Z.; CHYLE, P.

The oncogenic effect of the Rous virus in rats and its cytologic correlates. Neoplasma 9 no.1:25-31 '62.

1. Department of Experimental Biology and Genetics; Department of Plant Physiology, Biological Institute of the Czechoslovak Academy of Sciences, Prague, CSSR.

(NEOPLASMS virol) (SARCOMA virol)

SVOBODA, J.; CHYLE, P.; SIMKOVIC, D.; HILGERT, I.

Demonstration of the absence of infectious Rous virus in rat tumour XC, whose structurally intact cells Rous sarcoma when transferred to chicks. Folia biol. 9 no.2:77-81 '63.

1. Institute of Experimental Biology and Genetics, Czechoslovak Academy of Sciences, Prague and Institute of Oncology, Bratislava.  
(ROUS SARCOMA) (TUMOR VIRUSES)  
(NEOPLASMS, EXPERIMENTAL)



CHYLE, P.; KLEMENT, V.; SVOBODA, J.

Attempts to induce formation of Rous sarcoma virus in cells of  
tumour XC. Folia biol. 9 no.2:92-98 '63.

1. Institute of Experimental Biology and Genetics, Czechoslovak  
Academy of Sciences, Prague.

(NEOPLASMS, EXPERIMENTAL)

(TUMOR VIRUSES)

(ROUS SARCOMA)

(RADIATION EFFECTS)

CHYLE, P.

The effect of gibberellic acid on mammalian (XC tumour) cells  
in tissue culture. Folia biol. (Praha) 9 no.4:312-313 '63.

1. Institute of Experimental Biology and Genetics, Czechoslovak  
Academy of Sciences, Prague.  
(SARCOMA, EXPERIMENTAL) (TISSUE CULTURE)  
(GIBBERELLINS)

SVOBODA, J.; CHYLE, P.

Malignization of rat embryonic cells by Rous sarcoma virus in vitro. Folia biol. (Praha) 9 no.5:329-342 '63.

1. Institute of Experimental Biology and Genetics, Czechoslovak Academy of Sciences, Prague.

(EMBRYO) (TISSUE CULTURE)

(ROUS SARCOMA VIRUS) (NEOPLASM ETIOLOGY)

(NEOPLASM IMMUNOLOGY)

KLEMENT, V.; CHYLE, P.; SVOBODA, J.

Comparison of the biological properties of tumours formed in rats after the administration of two variants of Rous sarcoma. Folia biol. (Praha) 9 no.6:412-419 '63.

1. Institute of Experimental Biology and Genetics, Czechoslovak Academy of Sciences, Prague.

(ANIMALS, NEWBORN) (ROUS SARCOMA VIRUS)  
(SARCOMA, EXPERIMENTAL) (PHYSIOLOGY)

CHYLE, P.

Cytopathogenicity of fowl tumour viruses (RSV and AMV) in normal and transformed cells of human origin. Folia biol. (Praha) 10 no.4: 319-320 '64.

1. Institute of Experimental Biology and genetics, Czechoslovak Academy of Sciences, Prague.

CHYLE, P.

Analysis of the virus-producing interaction of rat rous sarcomas (XC and MR<sub>5</sub>) with the fowl cell. Folia biol. (Praha) 10 no.5:359-365 '64.

1. Institute of Experimental Biology and Genetics, Czechoslovak Academy of Sciences, Prague.

L 61546-65 EWT(m)/EPA(w)-2/EWA(m)-2 Pab-10/Pt-7 IJP(c)

ACCESSION NR: AP5019127

GZ/0038/64/010/010/0380/0380

AUTHOR: Fukatko, Tomas; Chyle, Vaclav (Khyle, V.)

34  
B

TITLE: Stabilization of the amplitude of the accelerating voltages in cyclotrons

SOURCE: Jaderna energie, v.10, no. 10, 1964, 380

19

TOPIC TAGS: cyclotron

Abstract: Abstract of a research paper describing the stabilization of the amplitude of the accelerating voltage in cyclotrons based on the principle of controlling the high-frequency output fed into a duant circuit and on automatic fine tuning of a 120 kilowatt high-frequency generator. A  $\pm 0.1$  stability of the accelerating voltage was achieved.

ASSOCIATION: Ustav jaderneho vyzkumu CSAV, Rez (Nuclear Research Institute)

SUBMITTED: 00

ENCL: 00

SUB CODE: NP

NR REF SOV: 000

OTHER: 000

JPRS

Card 1/1

L 52005-65 EWT(1)/EEC(k)-2/EWP(c)/EWP(v)/EWP(k)/EWP(h)/EWP(l) Pf-4 IJP(c)

ACCESSION NR: AP5015601

CZ/0030/64/000/010/0310/0317

AUTHOR: Chylek, P.(Engineer)

24  
B

TITLE: Photometric instruments produced in the Prema works

SOURCE: Jenna mechanika a optika, no. 10, 1964, 310-317

TOPIC TAGS: precision instrument industry, <sup>14</sup> photometer, <sup>21</sup> monochromator

Abstract [Author's English summary, modified]: After a short theoretical introduction dealing with the Lambert-Beer law and properties of monochromators the author describes the function and principal optical systems of photometric instruments made by

PREMA (filter photocolormeter, grating photometer, SF 63 prism spectral photometer). Individual instruments are described and their parameters given. Orig. art. has 14 figures, 29 formulas, 10 graphs, and 4 tables.

ASSOCIATION: PREMA-VUZT, Brno

SUBMITTED: CO

ENCL: 00

SUB CODE: OP, IE

NO REF SOV: 000

OTHER: 000

JPRS

ETA 1/1 *llc*



CHYLEK, P., inz.

Calculation of stigmatic systems with aspheric surfaces. Jemna  
mech opt 9 no.12:357-361 D '64.

1. Scientific Research Institute of Sanitary Engineering Prema,  
Brno. Submitted July 13, 1964.

CHYLEK, Stanislav, inz.

"Radioceramics" by N. P. Bogorodickij [Bogoroditskiy, N.P.],  
N. V. Kalmens, M. I. Nejman, N. L. Poljakova, [Polyakova,  
N. L.], B. A. Rotenberg, D. B. Salitra, M. A. Afanaseva  
[Afanas'yeva, M.A.], I. D. Fridberg. Reviewed by Stanislav  
Chylek. Sklar a keramik 14 no. 3: 104 Mr '64.

CHYLEWSKA, Barbara; JACKOWSKI, Tadeusz

Effect of the multiple drawing of the sliver and the number of condensers in the drawing field of a draw frame on the adhesion of fibers and the hairiness of yarn spun of Kuralon fiber. Przegl wlokien 17 no. 9: 307-309 S '63.

1. Technical University, Lodz.

CHYLEWSKA, Barbara; JACKOWSKI, Tadeusz

Influence of the spinning process on the change of  
adhesion of fibers in the band. Przegl włokien 17 no.6:  
201-202 Je '63.

1. Technical University, Lodz.

CHYLEWSKA, Barbara

Influence of the metric number of yarn and the twist factor on the torsional moment and the twisting rigidity of cotton yarn. Przegl włokien 17 no.7:227-230 JI '63.

1. Technical University, Lodz.

JACKOWSKI, Tadeusz; CHYLEWSKA, Barbara

Influence of the physical and mechanical properties of fibers on  
the quality of fiber-blend spun yarn. Przegl wlokien 17 no.8:  
259-264 Ag '63.

1. Technical University, Lodz.

CHYLEWSKA, Barbara; JACKOWSKI, Tadeusz

Rove twisting in the worsted spinning system. Przegi włokien 12  
no.10:449-453 0 '64.

CHYLEWSKI, W.

ETTINGER, Alfred; CHYLEWSKI, Włodzimierz

Etiology, pathogenesis, clinical aspects, and prevention of occupational skin disease in dye workers. Przegl. dermat. 4 no.1: 31-37 Ja-F '54.

1. Z Kliniki Dermatologicznej Akademii Medycznej w Łodzi.

Dyrektor: prof. dr S. Kapuscinski.

(DYES, injurious effects,

\*skin dis. in workers)

(OCCUPATIONAL DISEASES,

\*skin dis. in dye workers)

(SKIN, diseases,

\*occup. dye lesions in workers)



CHYLEWSKI, Włodzimirz

Progeria infantum (Hutchinson--Gilford). Przegł. derm. 49 no.5:413-418 '62.

1. Z Oddziału Dermatologicznego Szpitala Dziecięcego im. J. Korczaka w Łodzi Ordynator: dr med. W. Chylewski.  
(PROGERIA)

CHYLA, Marian.

Distr: hE2c

Gas protective atmospheres. Marian Chyla. *Wiadomości Hutnicze* 13, 208-17(1957).—Theoretical principles concerning the influence of gases such as  $N_2$ ,  $O_2$ ,  $CO_2$ ,  $CO$ ,  $CH_4$ ,  $H_2O$ , etc., on iron, coal, and constituents of steel alloys, are described. Classification of such gases with regards to compn. of mixt. as well as their applications for different thermal processes are described. The oxidation and decarbonization of steel is described in detail. Z. Kurtyka.

63  
1/1

4

— / —

OK

LANDA, Z.; SVOBODA, J.; CHYLE, P.

Chromosomal characteristics of tumour XC in vitro. Folia Biol.  
8 no.2:84-89 '62.

1. Institute of Experimental Botany and Institute of Experimental  
Biology and Genetics, Czechoslovak Academy of Sciences, Prague.  
(NEOPLASMS exper) (CHROMOSOMES)

11977 1057 I, V. 04D 17110 11  
TEMPSKI, Julian; CHYLEWSKI, Włodzimierz

Chloromycetin in the treatment of suppurative skin diseases.  
Przegl. dermat., Warsz. 6 no.6:575-584 Nov-Dec 56.

1. Z Kliniki Dermatologicznej A.M. w Łodzi, Dyrektor: doc. dr.  
J. Lutowiecki. Łódź, Klinika Dermatologiczna Akademii Medycznej.  
ul. Tramwajowa 15.

(CHLORAMPHENICOL, ther. use  
skin dis., suppurative (Pol))

(SKIN DISEASES, ther.  
chloramphenicol in suppurative dis. (Pol))

CHYLE W.  
EXCERPTA MEDICA Sec 13 Vol 13/2 Dermatology Feb 59

530. PROCAINE BLOCKADE IN THE TREATMENT OF STAPHYLOCOCCAL INFECTIONS OF THE SKIN - Blokady nowokainowe w leczeniu gronkowcowych chorób skóry - Chylewski W, Klin. Dermatol. Akad. Med., Łódź - PRZEGL. DERM. WENER. 1957, 7/6 (541-546)

CHYLEWSKI, Włodzimierz

Lupus erythematosus according to data of the dermatological clinic of the Academy of Medicine in Lodz. Przegł. dermat. 48 no.8/10:131-135 '61.

1. Z Kliniki Dermatologicznej A.M. w Lodzi Kierownik: Prof. dr J. Lutowiecki.

(LUPUS ERYTHEMATOSUS ■statist)

CHYLIK, J.

"Old Moravian Paper Mills." p. 118, Praha, Vol. 9, no. 5, May 1954.

SO: East European Accessions List, Vol. 3, No. 9, September 1954, Lib. of Congress

Chylik, J.

Old Moravian paper mills. p. 242. PAPIR A CELJLOSA. (Ministerstvo lesu a drevarskeho prumyslu) Praha. Vol. 9, no. 11, Nov. 1954.

SOURCE: EFAL - LC Vol. 5 No. 10 Oct. 1956



Chylik-I

A study of L-phenylacetylcarbinol. III. Š. Bauer, J. Chylik, L. Masler, and S. Országh (Sloven. akad. vidn. družba, Czech.). *Chem. Zvesti* 9, 604-7(1955); cf. *J. C.A.* 48, 8193g.—PhCHAcOH  $[\alpha]_D^{25}$   $-157 \pm 3^\circ$  (4% in alc.), reduced over PtO<sub>2</sub> gave optical active HOCHPhCH<sub>2</sub>MeOH (II), b. 93-5°,  $[\alpha]_D^{25}$   $-21.25 \pm 3^\circ$  (4% in alc.),  $n_D^{20}$  1.5282. I reduced with Al amalgam gave II and PhCH<sub>2</sub>Ac.  $[\alpha]_D^{25}$  0° (4% in alc.),  $n_D^{20}$  1.5162. — Jan Micka

Chylik, J.

Ceramic industries in Moravia up to the middle of the 19th century. p.114

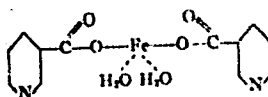
(Stavivo. Vol. 35, no.3, Mar. 1957. Praha, Czechoslovakia)

SO: Monthly List of East European Accessions (EEAL) LC, Vol. 6, no. 10, October 1957. Uncl.

CHYLK, M.  
CA

17

The complex matter in therapeutics of iron. M. Chylk  
and J. Tamchyna. *Chem. Zvesti* 4, 283-8(1950).—Ferro-  
nicouate of the possible structural formula:



crystallizes with 2 mol. of H<sub>2</sub>O which are lost at 110°. It is  
very resistant to oxidation and has a very rapid therapeutic  
effect. The hemoglobin is increased more than with any  
other Fe therapeutic prepn. if exptl. anemia is developed.  
It is also very effective if dissolved in tartaric, citric, or  
ascorbic acid. The solns. are also very resistant to oxida-  
tion. Ian Micka

*CHYLINSKA, B.*

Country : Poland G-2  
Category= : Organic Chemistry. Synthetic Organic Chemistry  
Abs. Jour. : Ref. Zhur.-Khimiya No. 6, 1959 19353  
Author : Urbanski, T.; Chylinska, B.  
Institut. :  
Title : Aliphatic Nitrocompounds. XXXI. Preparation of  
of Alcohols from Primary Nitroparaffins and  
Formaldehyde.  
Orig. Pub. : Roczn. chem., 1957, 31, No 2, 695-698

Abstract : An improvement of the method of producing nitro-  
alcohols by the action of formaldehyde on primary nitro-  
paraffins (Wyler J.A., U.S. Patent 2 164 440, 1938; Fieser  
L.F., Gates M., J. Amer. Chem. Soc., 1946, 68, 2249). The  
improved method has made it possible to obtain purer products  
(without additional crystallization) with higher yields than  
hitherto. To a solution of 6.01 g paraformaldehyde in 10 ml  
n-butanol, added 0.5 ml  $(C_2H_5)_3N$  followed by 7.5 g nitro-  
ethanol. After completion of exothermic reaction and cooling  
to about 20° there is obtained 2-methyl-2-nitropropandiol-  
-1,3, yield 92%, MP 135-139°. Analogously were prepared  
Card: 1/2

A-5

URBANSK, Tadeusz; BEIZECKI, Czeslaw; CHECHELSKA, Bozena; CHYLINSKA, Barbara;  
DABROWSKI, Halina; FALECKI, Jerzy; GURNE, Daniela; HAJSKI, Leszek;  
MALINOWSKI, Stanislaw; SERAFINOWA, Barbara; ZYLowski, Jerzy; SLOPEK,  
Stefan; KAMIENSKA, Irena; VENULET, Jan; JANOWIEC, Mieczyslaw; JAKIMOWSKA,  
Krystyna; URBANSKA, Alicja; KUZNIEWICOW, Anatol

Searching for new anti-tuberculosis drugs. Gruzlica 26 no.11:889-917  
Nov 58.

1. Z Zakladu Syntezy Lekow Instytutu Gruzlicy Kierownik Zakladu: prof.  
dr T. Urbanski Dyrektor Instytutu: prof. dr J. Misiewicz Pracownia Synt.  
Lekow Przeciwgruzliczych, Warszawa, ul. Koszykowa 75.

(TUBERCULOSIS, therapy,  
investigation of 300 cpds. for anti-tuberc. eff. (Pol))

URBANSKI, S.  
SURNAME, Given Names

Country: Poland

Academic Degrees: [ ]

Affiliation:

Source: Warsaw, Postepy Higieny i Medycyny Doswiadczalnej, Vol XV, No 4,  
1961, pp 427-428.

Data: "Antineoplastic Properties of Derivatives of Oxazine."

English abstract of article originally published in Nature, 1960,  
187, 426.

Authors:

URBANSKI, T.

SLOPEK, Stefan, Prof. Dr., Director of the Ludwik Hirszfild Instt  
of Immunology and Experimental Therapy (Instytut Immunologii i  
Terapii Doswiadczalnej im. Ludwika Hirszfelda), Polish Academy  
Sciences (PAN--Polska Akademia Nauk), Wroclaw.

GURNE, D.

MORDARSKA, H.

CHYLINSKA, B.

MORDARSKI, M.

6  
670 981643

DEBIEC, Barbara; BASZCZYNSKI, Jan; BIELINSKA, Wanda; CHYLINSKA, Hanna

Bacterial endocarditis in children in the era of antibiotics.  
Pediat. Pol. 40 no.8:809-814 Ag '65.

1. Z II Kliniki Chorob Dzieci AM i Wojskowej AM w Lodzi  
(Kierownik: prof. dr. med. F. Redlich [deceased]).

CHYLINSKI, G.

The author's description of his own case of orucellosis. Polski tygod.  
lek. 7 no.23:766 9 June 1952. (CML 23:2)

1. Of the First Internal Clinic (Head--Prof. A. Biernacki, M.D.) of  
Warsaw Medical Academy.



BLAWAT, F.; CHYLINSKI, G.; WROBLEWSKA, W. (Gdansk)

Virulent bacilli and tetanus spores in specimens of soil and dust  
in the Danzig-Zoppot area. Rocznik nauki rolnej 70 no.1/4:298-299  
'60. (EEAI 10:9)

(Bacillus) (Tetanus) (Soils) (Dust)

BLAWAT, F.; CHYLINSKI, G.; APTANAS, A. (Gdansk)

Pathogenic Clostridia in the soil and feces of domestic animals near  
Danzig. Rocznik roln wet 70 no.1/4:299 '60.

(EEAI 10:9)

(Soils) (Domestic animals) (Feces) (Clostridium)

CZARNOWSKI, Adam; CHYLINSKI, Gracjan

Trichinosis in foxes and minks. Wiad. parazyt. 10 no.4:  
354-355 '64

1. Wojewodzki Zaklad Higieny Weterynaryjnej, Gdansk.

CHYLINSKI, J., mgr inz.; PAWLOWSKI, Z.; AUGUSTYNOWICZ, A., mgr; STANISLAWSKI, J., mgr inz.; JAKUBOWSKI, B., mgr inz.; JEDRZEJEWSKI, Z., mgr inz.; SUPERNAK, M., inz.

A discussion. Techn motor 14 no.10:304-305 0 '64.

1. Deputy Chairman, Committee for Science and Technology, Warsaw (for Chylinski). 2. State Automobile Communication, Warsaw (for Pawlowski). 3. Scientific Society for Organization and Administration, Warsaw (for Augustynowicz). 4. Association of Polish Mechanical Engineers and Technicians, Warsaw (for Stanislawski). 5. Association of Transportation Engineers and Technicians, Warsaw (for Jakubowski). 6. Association of Motorization Industry, Warsaw (for Supernak).

CHYLINSKI, Jerzy

A case of pulmonary moniliasis. Pol. tyg. lek. 19 no. 4: 143-144 27 Ja '64.

I. Z I Kliniki Chorob Wewnętrznych w Gdansk (kierownik: Kliniki: prof. dr Marian Gorski).

POLAND/Theoretical Physics - Quantum Electrodynamics

B-5

Abs Jour : Ref Zhur - Fizika, No 4, 1959, No 7349

Author : Chylinski Z., Wolter W.

Inst :

Title : Problems of the Modification of Concepts Concerning the Processes of Electromagnetic Radiation and Electron-Pair Production

Orig Pub : Postery fiz. 1958, 9. No 3, 249-259

Abstract : Survey of the work by L.D. Landau, I.Ya. Pomeranchuk, M.L. Ter Mikaelyan, L.B. Migdal, Ye.L. Feynberg, and others (see Referat Zhur Fizika, 1954, No 4, 3551, 3634; No 9, 10018; No 10, 11363; 1955, No 2, 2271, 2523; 1956, No 8, 21780; 1957, No 7, 16618, 16619; 1959, No 3, 5241, and others).

Card : 1/1

Chylinski, Z.; Wolter, W.; Benisz, J.

Investigations of the bremsstrahlung of electrons in the energy interval  
 $10^{11}$  -  $10^{12}$  e.v. In English. p. 143.

ACTA PHYSICA POLONICA. (Polska Akademia Nauk. Komitet Fizyki).

Warszawa, Poland, Vol. 18, no. 2, 1959.

Monthly list of East European Accessions (EEAI) LC, Vol. 8, No. 8, August 1959.  
Uncla.

S/058/62/000/008/014/134  
A061/A101

AUTHOR: Chyliński, Z.

TITLE: Semiclassical investigation of multiple meson production as a bremsstrahlung process in high-energy nucleon-nucleon collision

PERIODICAL: Referativnyy zhurnal, Fizika, no. 8, 1962, 29, abstract 8B206  
("Rept. Inst. badań jądrow. PAN", 1961, no. 251/VI, 26 pp., illust.,  
English; summaries in Polish and Russian)

TEXT: In contrast to the well-known theory of Heitler and Peng (W. Heitler and H. W. Peng "Proc. Roy. Irish Acad.", 1943, v. 49, 101), the pi-mesonic field is assumed to be scalar, and the pi-meson production cross section is determined from the difference of peripheral mesonic fields of nucleons prior to and after their collision. It is maintained that the scalar theory describes the  $\pi N$  interactions well at very high energies. The kinematic relations of the theory are examined at length. A cut-off (minimum parameter of impact) is introduced to obtain physically reasonable results. At an increase of energy the mean number of nascent particles tends toward a constant limit. At this point the theory

Card 1/2



Semiclassical investigation of...

S/058/62/000/008/014/134  
A061/A101

diverges substantially from the statistical theories, in which the mean number of particles grows as  $E_{lab}^{1/4}$ . The angular distribution of nascent particles in the center-of-mass system, as well as in the two-center theory, has a double-humped character. This fits experimental data at very high energies. The transverse-momentum distribution of the particles depends on energy very slightly. The calculation results depend on some parameters selected from comparison with experimental data.

V. Barashenkov

[Abstracter's note: Complete translation]

Card 2/2

*Chylo, Emanuel*

KMETY, Emil; PLESKO, Ivan; CHYLO, Emanuel

Epidemiological significance of swine as a reservoir of leptospirosis. Cesk. epidem. mikrob. imun. 5 no.6:301-304 Nov 56.

1. Hygienicky ustav lek. fak. KU v Bratislave, pred. akademik V. Mucha.

(LEPTOSPIROSIS, transmission,  
from swine to man (Cz))

(SWINE, diseases,  
leptospirosis, transm. to man (Cz))

CHYLO, E. KMETY, E

"Study of a natural focus of leptospirosis in the Topolcianky area."

BIOLOGIA, Bratislava, Czechoslovakia, Vol. 13, no. 7, 1958

Monthly List of East Europe Accessions (EEAI), LC, Vol. 8, No. 6, Sept 59  
Unclas

MICEK, F.; CHYLO, E.

Postcholecystectomy syndrome in surgical practice. Rozhl.  
chir. 42 no.6:417-421 Je '63.

1. I chirurgická klinika Lekárskej fakulty UK v Bratislave,  
prednosta prof. dr. K. Carský.

(CHOLECYSTECTOMY) (CHOLELITHIASIS)  
(BILIARY DYSKINESIA) (POSTOPERATIVE COMPLICATIONS)

BRIX, M.; ZILAVY, S.; OHRADKA, B.; CHYLO, E.

Prevention of postoperative disorders in water and electrolyte metabolism. Bratisl.Lek. Listy 44 no.7:397-403 '64.

I. I. chirurgická klinika Lek. fak. Univerzity Komenského v Bratislave (veduci prof. MUDr. K. Carský).

KAPUSTIK, S.; KOREN, K.; MORAVEC, R.; CHYLO, E.

Clinical evaluation of some postoperative states after stomach resection in gastroduodenal ulcer using the Billroth II technic. Bratisl. Lek. Listy 44 no.7:429-434 '64.

I. I. chirurgická klinika Lek. fak. Univerzity Komenského v Bratislave (prednosta prof. MUDr. K. Carský).

KOREN, K.; CHYLO, E.; SNODI, J.

Problems related to preventive administration of anti-tetanus serum. Bratisl. lek. listy 45 no.7:433-435 15 Ap '65

1. I. chirurgicka klinika Lekarske fakulty Univerzity Komenskeho v Bratislave (veduci: prof. MUDr. K. Garsky).

SYCHEV, K.I.; ISHMAKOV, K.I.; ZHUKOV, M.I.; CHYMACHENKO, Yu.T.

New data on the hydrogeology of the northern Lake Balkhash region.

Mat.po geol.i pol.iskop.TSentr.Kazakh. no.2:85-95 '62.

(MIRA 15:12)

(Balkhash Lake region--Water, Underground)



CHYMCAK, Jan

On the problem of acute pancreatitis. Rozhl. chir. 34 no.2:  
118-124 F '60.

1. Chirurgická klinika lek. fak. UK v Kosiciach, prednosta prof.  
MUDr. Jan Knasovický.  
(PANCREATITIS)

CHYMCAK, Jan

Contribution to the treatment of pancreatic cysts by means of  
cystogastrostomy. Rozhl. chir. 39 no.4:220-224 Ap '60

1. Chir, klinika UK v Kosciach, pred. prof. dr. Jan Knazovicky.  
(PANCREAS, dis.)

CHYMRKA, V.

The highest yields of milk. Rab. i sial. 38 no.7:2-3 JI '62.  
(MIRA 16:5)

1. Kolkhoz imeni Lenina, Gomel'skogo rayona.  
(Gomel' District--Dairying)

ACCESSION NR: AP4042957

S/0102/64/000/004/0075/0079

AUTHOR: Kudinenko, A. V. (Kiev); Chy\*nayev, P. I. (Kiev)

TITLE: Contactless optimum controller

SOURCE: Avtomaty\*ka, no. 4, 1964, 75-79

TOPIC TAGS: automatic control, automatic control design, automatic control system, automatic control theory, optimum controller

ABSTRACT: These major units and their functions (see Enclosure 1) of the contactless optimum controller are briefly described: blocking oscillator 1 controlling a pulse distributor; delay devices 2 and 3 controlled by blocking oscillator 4; reactive trigger 5 acting as a time relay; comparison unit 6 which controls, via an amplifier, trigger 7, the latter controlling, via  $i_1$  and  $i_2$ , - and, if necessary, reversing - the windings of a magnetic amplifier; a final control element designed with a magnetic amplifier from DUND-05. A simplified

Card | 1/3

ACCESSION NR: AP4042957

connection diagram is supplied, and an experimental verification of a laboratory hookup is claimed. Orig. art. has: 4 figures and 1 table.

ASSOCIATION: none

SUBMITTED: 03Sep62

ENCL: 01

SUB CODE: DP, IE

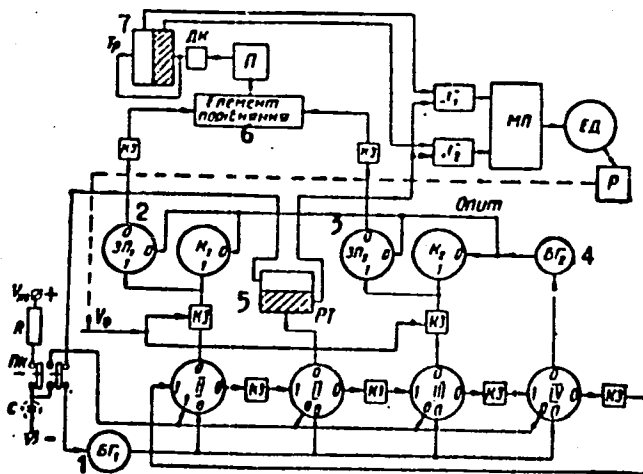
NO REF SOV: 000

OTHER: 000

Card 2/3

ACCESSION NR: AP4042957

ENCLOSURE: 01



A simplified functional diagram of the contactless optimum controller

Card 3/3

*CHYREK-BOROWSKA, S.*

ZYDOWO, M.; BILAWSKI, W.; ~~CHYREK-BOROWSKA, S.~~; JUSKO, J.; MANITIUS, A.;  
NIEMIRO, R.; WOLOWSKI, H.

Effect of adrenalin on certain biochemical changes in normal man.  
Acta physiol. polon. 5 no.4:620-621 1954.

1. Z Zakladu Chemii Fizjologicznej w Gdansk. Kierownik: prof. dr  
W. Mozolowski.

(EPINEPHRINE, effects,  
on blood)

(BLOOD, effect of drugs on,  
epinephrine)

SZULCZYNSKA, Krystyna; <sup>"</sup>CHYREK-BOROWSKA, Sabina; ROMANSKI, Bogdan

Result of ACTH and steroid hormone therapy of bronchial asthma.  
Polski tygod. lek. 15 no.46:1768-1770 14 N '60.

1. Z I Kliniki Chorob Wewnętrznych A.M. w Gdansk; kierownik:  
prof. dr med. M. Gorski.

(ASTHMA ther) (CORTICOTROPIN ther)  
(ADRENAL CORTEX HORMONES ther)



SZULCZYNSKA, Krystyna; CHYREK-BAROWSKA, Sabina; ROMANSKI, Bogdan

Steroid hormones in the treatment of bronchial asthma. Polskie  
arch.med.wewn. 30 no.6:818-821 '60.

1. Z I Kliniki Chorob Wewnętrznych A.M. w Gdansk w Kierownik:  
prof. dr med. M.Garski.

(ASTHMA ther)

(ADRENAL CORTEX HORMONES ther)

CHYREK-BOROWSKA, Sabina; SZULCZYNSKA, Krystyna; TYMOSZEWSKA, Barbara,  
przy wspoludziale asyistentki technicznej Anny Swiderskiej

Biochemical changes in the blood serum and respiratory capacity  
and voluntary apnea in patients with bronchial asthma during  
ACTH and prednisone therapy. Polskie arch.med.wewn. 30 no.6:  
824-826 '60.

1. Z I Kliniki Chorob Wewnetrznych A.M. w Gdansk w Kierownik:  
prof. dr med. M.Gorski.

(CORTICOTROPIN ther)  
(PREDNISONE ther)  
(ASTHMA ther)  
(BLOOD pharmacol)  
(RESPIRATION physiol)

CHYREK-BOROWSKA, Sabina; DZIEWULSKA, Krystyna; WOJTOWICZ, Mikelaj

A case of Ebstein's syndrome. *Polskie arch. med. wewnetrz.* 30  
no.10:1321-1329 '60.

1. Z I Kliniki Chorob Wewnetrznych A.M. w Gdansku Kierownik:  
prof dr med. M. Gerski Z Zakladu Radiologii A.M. w Gdansku  
Kierownik: prof. dr med. W. Grabowski.

(HEART DEFECTS CONGENITAL case reports)

CHYREK-BOROWSKA, Sabina; TYMOSZEWSKA, Barbara

Certain biochemical changes in the blood and urine in patients with bronchial asthma. *Polskie arch. med. wewnetrz.* 30 no.11: 1369-1375 '60.

I. Z I Kliniki Choro**z** Wewnetrznych A.M. w Gdansk**u** Kierownik:  
~~prof.~~ dr med. M. Gerski.

(ASTHMA metab)

CHYREK-BOROWSKA, Sabina

Electrophoresis of blood proteins in patients with bronchial  
asthma. *Polskie arch. med. wewnetrz.* 30 no.12:1489-1494 '60.

1. Z I Kliniki Chorob Wewnetrznych A.M. w Gdansk w Kierownik:  
prof. dr med. M. Gorski.

(ASTHMA blood) (BLOOD PROTEINS chem)

CHYREK BOROWSKA, Sabina

Neuraminic acid. Its appearance in the human organism in physiological and pathological conditions. Polskie arch. med. wewn. 32 no.4:351-358 '62.

1. Z I Kliniki Chorob Wewnetrznych AM w Gdansk Kierownik: prof. dr. med. M.Gorski.

(NEURAMINIC ACID metab)

CHYREK-BOROWSKA, Sabina

Neuraminic acid and blood serum proteins in some diseases of the hematopoietic system. Pol. med. wewnet. 32 no.7:861-862 '62.

1. Z I Kliniki Chorob Wewnetrznych AM w Gdansku Kierownik: prof. dr med. M. Gorski.

(NEURAMINIC ACID) (HEMATOLOGY) (BLOOD PROTEINS)

CHYREK-BOROWSKA, Sabina

Diagnostic value of the determination of neuraminic acid  
(NANA) in neoplastic diseases. Pol. arch. med. wewnet. 33  
no.8:869-875 '63.

I. Z I Kliniki Chorob Wewnetrznych AMG Kierownik: prof. dr  
med. M. Gorski.

(NEOPLASM DIAGNOSIS)  
(BLOOD CHEMICAL ANALYSIS)  
(NEURAMINIC ACIDS)



CHYREK-BOROWSKA, Sabina

Neuraminic acid and plasma proteins in bronchial asthma. Acta  
biol. med. 7 no.4:99-120 '63,

1. Z I Kliniki Chorob Wewnetrznych Akademii Medycznej w Gdansk  
Kierownik Kliniki: Prof. dr Marian Gorski.  
(ASTHMA) (NEURAMINIC ACIDS)  
(BLOOD CHEMICAL ANALYSIS)  
(BLOOD PROTEINS)

KOKOCHA, Barbara; ROMANSKI, Bogdan; CHYRM-RODOWSKA, Sabina

Results of therapeutic specific desensitization of patients  
with allergic bronchial asthma. Pol. arch. med. wewnet. 31  
no.5:575-578 '64

1. Z Poradni Chorob Alergicznych I Kliniki Chorob Wewnętrznych  
Akademii Medycznej w Gdansku (Kierownik: prof. dr. med. N.Gorski).

CHYRNE-BRANSKA, Sabina; DNEPUCKI, Tadeusz

Ferric glycoproteins in chronic liver diseases. Pol. arch. med.  
wewnętrz. 34 no.6:629-37. 1974

1. Z 1 Kliniki Chorob Wewnętrznych i Kardiologii i Ginekologii z Górnego  
(Kierownik: prof. dr. med. F. Górecki).

CHYREK-BOROWSKA, Sabina.

Serum glycoproteins, Pol. tyg. lek. 20 no.7:241-243 15 F'65.

1. Z I Kliniki Chorob Wewnetrznych Akademii Medycznej w Gdansku  
(kierownik: prof. dr. M. Gorski).