

BAJCSAY, P. (Budapest XI. Sztoczek u.2.)

The use of matrix calculation in the research of general systems of  
explicitly simple differential equations of the n-order. Periodica  
polytechn eng 4 no.1:63-82 '60. (EEAI 10:1)

1. Lehrstuhl für Mathematik (V) der Technischen Universität, Budapest,  
Fakultät für Maschineningenieure.  
(Differential equations)

BAJCSY, E.

BAJCSY, E. After harvest, before the autumn work. p. 1.

Vol. 11, no. 15/16, Aug. 1956

MAGYAR MEZOGAZDASAG

AGRICULTURE

Budapest, Hungary

So: East European Accession, Vol. 6, No. 5, May 1957

BAJCSY, E.

Let us prepare ourselves with care for spring work. p. 1. (Magyar Mezőgazdaság, Vol. 11, no. 2, Jan. 1956 Budapest)

SO: Monthly List of East European Accession (EEAL) LC, Vol. 6, no. 7, July 1957. Uncl.

BAJCSY, E.

In time and with a good quality of seeds for a great harvest. p. 1. (Magyar Mezőgazdaság, Vol. 11, no. 6, Mar. 1956 Budapest)

SO: Monthly List of East European Accession (EEAL) LC, Vol. 6, no. 7, July 1957. Uncl.

RAJCSY, J.

Principle of duality in the theory of magnetic amplifiers. p. 185.

STROJNICKY CASOPIS. (Slovenska akademie vied) Bratislava, Czechoslovakia.  
Vol. 6, no. 3, 1955.

Monthly List of East European Accessions (EEAI) LC, Vol. 8, No. 11,  
November 1959.

Uncl.

CZECHOSLOVAKIA/Magnetism - Ferromagnetism.

Abs Jour : Ref Zhur - Fizika, No 6, 1959, 13217

Author : Bajcsy, Julius

Inst :

Title : On the Measurement of Reversible Permeability.

Orig Pub : Strojoelektrotechn. casop., 1955, 6, No 4, 234-241

Abstract : The authors consider bridge methods for the measurement of reversible permeability and discuss the results of the measurements made on transformer iron and on the "sona-permu" alloy.

Card 1/1

- 67 -

BAJCSY, J.

Effects of radioactive radiation on photocells. Tr. from the Russian. p.242. (Strojnoelek-  
trotechnicky Casopis. Bratislava. Vol. 7, no. 4, 1956.)

SO: Monthly List of East European Accessions (EEAL) IC, Vol. 6, no. 7, July 1957. Uncl.

MAJCSY, J.

A wattmeter equipped with rectifiers for telemetering.

P. 476. (STROJNOELEKTROTECHNICKY CASOPIS.) (Bratislava, Czechoslovakia)  
Vol. 8, No. 1, 1957

SO: Monthly Index of East European Accession (EEAI) LC. Vol. 7, No. 5, 1958



BAJCSY, J.

Graphic method of calculating a three-pointed impedance star circuit. p. 111.  
(Strojoelektrotechnický časopis, Vol. 8, No. 2, 1957, Bratislava, Czechoslovakia)

SO: Monthly List of East European Accessions (EEAL) LC, Vol. 6, No. 8, Aug 1957. Uncl.

BAJCSY, J.

Output measurements by means of identical temperatures. p. 186.

ELEKTROTECHNICKY CASOPIS. (Slovenska akademia vied) Bratislava, Czechoslovakia,  
vol. 10, no. 3, 1959.

Monthly List of East European Accessions (EEAI), IC, Vol. 8, no. 11, Nov. 1959  
Uncl.

Z/017/60/049'001/002/002  
E197/E235

AUTHOR: Bajcsy, Július, Engineer  
TITLES: Equipment for Measuring the Conductivity of Fused Fluorides  
PERIODICAL: Elektrotechnický obzor, 1960, No. 1, pp. 36-41  
TEXT: Conductivity of fused fluorides governs permissible current density and has an important bearing on the economy of aluminium production. The addition of  $\text{Na}_3\text{AlF}_6$  was found beneficial. The author describes a method for measuring electric conductivity of fused fluorides. The disadvantages of previous methods are discussed first. These are the necessity of correcting for lead resistance and poor accuracy. To avoid these, the author uses a Thomson bridge, capacity being compensated by an adjustable inductance. The frequency can be adjusted between 20 and 20000 c/sec, the load can be up to 5 watts. Balance is indicated either by an audible signal, an electronic voltmeter or an oscilloscope. The accuracy is  $\pm 2\%$ , the resistance range 0.1 to 0.5 ohms. A schematic circuit of the voltmeter is given (Fig. 2) comprising 2 triodes, capable of phase discrimination. The mathematics of

Card 1/3

✓

Z/017/60/049/001/002/002

E197/E235

Equipment for Measuring the Conductivity of Fused Fluorides

AC-bridges is also given to some extent, followed by a calculation of the effect on accuracy of inductance, impedance, higher harmonics and of phase distortion in the preamplifier. The fact that maximum sensitivity of the indicator was found to be at  $\pi/2$  is favourable to accurate balance detection. Fig. 4 shows the design of the platinum electrodes together with thermometer and leads. The equipment was developed at the Faculty of Theoretical and Experimental Engineering in Bratislava for the závod. Slovenské národné povstania, Žiar n. Hronom. There are 5 figures and 6 references: 1 Czech, 3 Soviet and 2 non-Czech. ✓

ASSOCIATION: SVŠT Bratislava

SUBMITTED: May 16, 1959

Card 2/3

Z/017/60/C 49/001/002/002  
E197/E235

Equipment for Measuring the Conductivity of Fused Fluorides

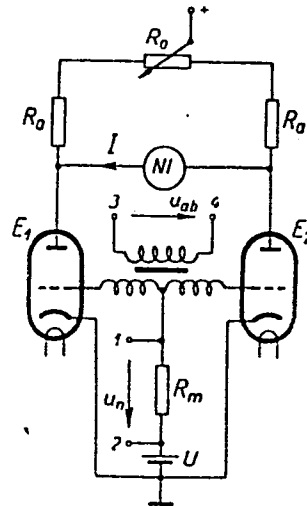
Fig. 2



Obr. 4. Platinové elektródy použité k meraniu.

Card 3/3

Fig. 4



Obr. 2.  
Principiálne schéma  
spojenia indikátora.

BAJCSY, Julius, inz., CSc.

Analysis of an alternating current bridge balanced to the minimum of diagonal voltage magnitude. El tech cas 14 no.8: 499-506. '63.

1. Odborný asistent, Katedra teoretickej a experimentálnej elektrotechniky, Slovenská vysoká škola technická, Mytná 32/E, Bratislava.

ACC NR: AP6010327

SOURCE CODE: GZ/0042/65/000/003/0454/0490

AUTHOR: Bajcsy, Julius (Engineer; Candidate of sciences)

ORG: Department of Theoretical and Experimental Electrical Engineering, SVST, Bratislava (Katedra teoretickej a experimentalnej elektrotechniky SVST)

TITLE: Contribution to the problem of defining the sensitivities of AC circuits

SOURCE: Elektrotechnicky casopis, no. 8, 1965, 484-490

TOPIC TAGS: electronic circuit, alternating current

ABSTRACT: The article presents definitions of various kinds of sensitivities for AC circuits. All defined sensitivities are derived from the basic complex sensitivity, which was adapted in its argument so that its components permit expressing the pertinent amplitude and phase sensitivities. All the sensitivities are divided into two groups, the absolute, suitable for use with zero methods, and the relative, for deviation methods. The author thanks Prof. Dr. Engr. L. Kneppo and the reader of the article, T. Petrik, for valuable comments during discussions. This paper was presented by T. Petrik. Orig. art. has: 3 figures and 14 formulas. [JPRS]

SUB CODE: 09 / SUBM DATE: 10Apr64 / ORIG REF: 005 / OTH REF: 004

SOV REF: 014

Cord 1/1 1/85

BAJCSY, Karoly; POLERECZKY, Gabor

Epoxy glueing resins. Musz elet 17 no.24:10 22 N '62.



BAJCSYOVA, Ruzena, inz.

Automatic teaching machine Plato, a help in studies. Sdel tech  
ll no.9:351-352 S '63.

MORAVEC, Juraj, inz.; BAJCURA, Mirza, Inz.

Making seat parts from veneers by press molding in the Soviet Union. Drevo 18 no. 7:266-270 J1 '63.

1. Statny drevarsky vyskumny ustav, Bratislava.

L 4371-66

ACC NR: AP5028429

SOURCE CODE: BU/0011/65/018/001/0071/0074

18  
B

AUTHOR: Krastev, H.; Bajdanov, S.

ORG: Institute of Morphology, Bulgarian Academy of Sciences (Institut für Morphologie an der Bulgarischen Akademie der Wissenschaften)

TITLE: Luminescence-microscopy method for the observation of absorption of certain artificial tannins (syntanes)

SOURCE: Bulgarska akademiya na naukite. Doklady, v. 18, no. 1, 1965, 71-74

TOPIC TAGS: tanning material, chemical absorption, luminescence, microscopy

ABSTRACT: In the past, the leather industries studied the penetration of the syntanes by means of chemical methods only; these methods are, however, either cumbersome or inaccurate. Consequently, the authors investigated the feasibility of luminescence of the tannins. The results indicate that in the case of syntanes showing weak or no luminescence one can carry out a simultaneous introduction of the tannin and some auxiliary dye. In all cases the method (described in detail in the paper) supplied reliable data about the rate of penetration of the syntanes studied (A<sub>44</sub>, G<sub>40</sub>, G<sub>37</sub>, A<sub>23</sub>, E2E (products of East Germany), and NK (USSR)). The work was presented by A. I. Hadjioloff, Active Member of BAN, 4. Nov 64. Orig. art. has: 4 figures. [JPRS]

SUB CODE: MT, OP / SUBM DATE: 04Nov64 / ORIG CODE: 002 / OTH REF: 002  
SOV REF: 001

BAJDOVSKY, VLADIMIR.

Zkouseni materialu a vyrobku rentgenovymi paprsky a paprsky gama. Vyd. 1.

Praha, Czechoslovakia. Statni nakl. technicke literatury, 1956, 402 p.

Monthly List of East European Accessions (EEAI) LC, Vol. 8, No. 12, Dec. 1959.  
Uncl.

BAJEC, Bogomir

2

Chemical Abstracts  
Vol. 48 No. 5  
Mar. 10, 1954  
Dyes and Textiles Chemistry

The problems of printing fabric in the textile industry. Bogomir Bajec and Anton Oman. *Kem. Zbornik* 1951, 170-2. The problems of textile printing are discussed and measures which have been taken to avoid defective materials are pointed out.  
J. Rovtar Leach

BAJEC, B

BAJEC, B. Problems of heat and economy of textile finishing plants. p. 459

Vol. 4, No. 5, May 1955

TEKSTIL  
TECHNOLOGY  
Zagreb

So: MONTHLY LIST OF EAST EUROPEAN ACCESSIONS, (EEAL), Vol. 4, No. 9,  
Sept. 1955

BAJEC, B.

BAJEC, B. Survey of conditions in finishing plants of the cotton industry in Yugoslavia. p. 791.

Vol. 4, no. 8, Aug. 1955

TEKSTIL

Zagreb, Yugoslavia

So: Eastern European Accession Vol. 5 No. 4 April 1956

BAJEC, B.

Report on refining establishments in the cotton sector. p. 224.  
NOVA PROIZVODNJA. (Zvenza drustev inzenirjev in tehnikov LRS)  
Ljubljana. Vol. 7, no. 3/4, June 1956.

SOURCE: East European Accessions List, (EEAL), Library of Congress,  
Vol. 5, no. 12, December 1956.



BAJEC, B.

BAJEC, B. Thermo-economic problems in the establishments for refining textile goods.  
p. 309.

Vol. 7, No. 5, Oct. 1956.

NOVA PROIZVODNJA

TECHNOLOGY

Ljubljana, Yugoslavia

So: East European Accession, Vol. 6, No. 2, February 1957

ASCIK, Kazimierz; BAJER, Bronislaw

Studies in the conditions of the microclimate and the efficiency of the action of ventilation facilities in enterprises of the textile industry. Przegl włokien 17 no. 9: Biul przem dziew i poncz 1 no. 6: 1-4 S '63.

BAJEC, D., dr.; CUPIĆ, V., prof. dr.; MILSTAJN, R., dr.

Surgery in diabetic children. Med. Glas. 18 no.11:379-381  
N '64

1. Institut SRS za zdravstvenu zaštitu majke i detete u  
Beogradu (Direktor: prof. dr. V. Cupić) Hirurska odeljenja  
Instituta (Nacelnik: dr. D. Bajec).

JOKANOVIC, Rosanda; BAJEC, Dusan

Acute pancreatitis following parotitis in a 4-year-old child.  
Srpski arh. celok. lek. 91 no.12:1229-1232 D '63.

1. Pedijatrijska klinika Medicinskog fakulteta Univerziteta u Beogradu  
(Upravnik: prof. dr. Borivoje Tasovac); Decja hirurska klinika Medicinskog fakulteta Univerziteta u Beogradu (V.d. upravnika: prof. dr. Borivoje Tasovic).

POPOVIC, Sreten; BAJEC, Dusan; DAJA, Milutin; MILJKOVIC, Petar

Surgically cured bilateral incarcerated hernia in a premature infant. Srpski arh. celok. lek. 90 no.4:469-473 Ap '62.

1. Klinika za decju hirurgiju Medicinskog fakulteta Univerzitetu u Beogradu Upravnik: prof. dr. Dimitrije Jovic.  
(HERNIA) (INFANT PREMATURE DISEASES)

POPOVIC, Sreten; BAJEC, Dusan; DAJA, Milutin

Atypical cases of acute intestinal invagination in children.  
Srpski arh. celok. lek. 90 no.6:653-657 Je '62.

1. Decja hirurska klinika Medicinskog fakulteta Univerziteta  
u Beogradu Upravnik: prof. dr.Dimitrije Jovicic.  
(INTUSSUSCEPTION)

5

BAJEC, Dusan; MILJKOVIC, Petar

Mechanical ileus in infants due to congenital adhesions.  
Srpski arh. celok. lek. 90 no.10:967-971 0-1/62.

1. Klinika za decju hirurgiju Medicinskog fakulteta Univerzita-  
teta u Beogradu Upravnik: prof. dr. Dimitrije Jovicic.  
(INTESTINAL OBSTRUCTION) (ADHESIONS)

BAJEC, V. inz.

Plastics in agriculture. Kemija u industriji 11 no.9:551 8 '62.



BAJEC, Viktor, dipl. inz. (Ljubljana)

Use of plastic materials in agriculture. Pt. 1. Kem ind 13  
no.9:693-697 S '64.

BAJENESCU, Titu, ing.

On the theoretical synthesis of acoustical phase reverser. Tele-  
comunicatii 7 no.6:277-278 N-D '63.

BAJENESCU, Titu ., ing.

The Mecan electronic computers. St si Teh Buc 16 no. 7:  
37 J1 '64.

L. Automation Laboratory, Institute of Electric Power,  
Rumanian Academy.

RUMANIA

TATARU, Nicolae; BAJENESCU, Titu; GHEȚARU, Sorin.

Bucharest, Studii și Cercetări de Energetică și Electro-  
tehnică, No. 1, 1966, pp 91-104

"An Automatic Optimization System to Regulate the Power  
of Nuclear Reactors"

ROMANIA

BAJENESCU, Titu, Engr.

Bucharest, Telecomunicatii, No 6, Nov-Dec 63, pp 277-278

"Remarks on the Theoretical Synthesis of the Acoustic Phase  
Invertor."

RUMANIA/Acoustics - Architectural Acoustics

J-7

Abs Jour : Ref Zhur - Fizika, No 9, 1958, No 21348

Author : Bajonoscu T.M.

Inst : Not Given

Title : Factors That Must be Taken Into Account in Acoustic Design  
of Motion Picture Theaters.

Orig Pub : Ind. constructiilor si mater, constr., 1957, No 12, 683-688

Abstract : No abstract

Card : 1/1

RUMANIA/Acoustics - General

J.

Abs Jour : Ref Zhur - Fizika, No 7, 1959, 16284

Author : Bajenescu, T.M.

Inst : -

Title : Reverberation Chambers

Orig Pub : Telecommunicatii, 1958, 2, No 4, 183-187

Abstract : Brief summary of requirement that must be satisfied by the reverberation chambers. Difficulties that arise in the construction of the reverberation chambers are considered, along with the possibility of their elimination. Methods are proposed for various measurements in reverberation chambers and numerical relations are given for different cases. Also given are experimental data on shock insulation in reverberation chambers. Bibliography, 12 titles.

Card 1/1

BAJENESCU, T. M., ing.

Aspects of stereophony. Telecomunicatii 5 no. 4:170-175  
Jl-Ag '61.



L 34179-66

ACC NR: AP6026117

SOURCE CODE: RU/0011/65/009/003/0127/0132

AUTHOR: Bajenescu, T. (Engineer)

ORG: none

21

B

TITLE: Magnetic operation amplifiers

SOURCE: Automatica si electronica, v. 9, no. 3, 1965, 127-132

TOPIC TAGS: magnetic amplifier, analog computer

ABSTRACT: The author discusses the properties and representative parameters of magnetic amplifiers considered as operational elements in analog computers, and reviews the performance of a computer using current analogy. Orig. art. has: 11 figures, 28 formulas and 1 table. [Based on author's Eng. abst.] [JPRS: 32,482]

SUB CODE: 09 / SUBM DATE: none / ORIG REF: 001 / OTH REF: 005

Card 1/1 BLG

UDC: 621.375.2:621.396.645.1

0916

1176

BAJER, A.

Effect of electric shock on blood and cerebrospinal fluid cholinesterase. Lek.listy 5 no.23:694-697 1 Dec 50. (CJML 20:5)

1. Of the Neurological Clinic, Masaryk University in Brno (Head-Prof.Karel Popok,M.D.).

BAJER, A.

Effect of fever on blood cholinesterase. Lek.listy 5 no.24:721-723  
15 Dec 50. (CJML 20:5)

1. Of the Clinic for Nervous Diseases, (Head--Prof.Karel Popek,M.D.  
Masaryk University,

BAJER, A.

Myasthenic syndrome and blood cholinesterase. Lek.listy 6 no.2:  
47-49 15 Jan 51. (CLML 20:5)

1. Of the Nerve Clinic (Head--Prof.Karel Papek,M.D.) of Masaryk  
University, Brno.

Blood cholinesterase and histamine in the organism.  
Antonin Bajer (Masarykova Univ., Brno, Czech. J. *Lehár-  
ské zprávy* 6, 350-0 (1951). The effect of subcutaneous injec-  
tions of histamine on the blood cholinesterase activity (II)  
was studied in 15 subjects. The results are as follows:

BAJER A  
SAHANEK, O.; BAJER, A.

Triazole epilepsy. Lek. listy, Brno 6 no.23:717-720 1 Dec 51.  
(CJML 21:4)

1. Of the Psychiatric Clinic (Head--Prof. Z. Lauterer, M.D.) and of  
the Neurological Clinic (Head--Prof. Karel Popek, M.D.) of Masaryk  
University, Brno.

STATE DEPT

SECRET

CONFIDENTIAL

U.S. TO A.

2183. Blood cholinesterase in tricresyl phosphate poisoning. A. BAYER. *Lekarskii listy*, 1954, 9, 229-31; *Chem. Abs.*, 1954, 48, 11838. Several cases of poisoning by tricresyl phosphate have been reported in the plastics industry. Its action on the system acetylcholine-cholinesterase was studied by the method of Warbury *in vitro* and on rats *in vivo*. It considerably inhibits cholinesterase and exerts an action similar to certain insecticides and poisonous gases. 76624283E:21

BI



BAJER, Antonin MUDr

Various kinds of pain in diskopathies and their therapy in practice.

Vnitr. lek., Brno 1 no.2:109-113 Feb 55

1.Z Kliniky chorob nervovych MU v Brne, prednosta  
prof. Dr. Karel Popek Brno, Skolai 3.

(PAIN,

in intervertebral disk lesions, ther.)

(INTERVERTEBRAL DISK, diseases

pain, kinds & ther.)

BAJER, Antonin, MUDr.

Transferred headache. Vnitr. lek, Brno 1 no.3:216-222 Mar 55.

1. Z nervove kliniky MU v Brne, prednosta prof. MUDr. Karel  
Popek, Brno, Skolni 3.

(HEADACHE, etiology and pathogenesis  
transferred pain.)

BAJER, Antonin, MUDr.

Peripheral reflex vasomotor changes in discopathies. Vnitr.  
lek., Brno 1 no.7:534-538 July 55.

1. Z kliniky chorob nervovych MU v Brne, prednosta prof.  
Dr. Karel Poppek. Brno, Skolni c. 3, Neurologicka klinika.

(INTERVERTEBRAL DISC, diseases

peripheral reflex vasomotor changes.)

(REFLEX

vasomotor peripheral changes in intervertebral disk  
dis.)

EXCERPTA MEDICA Sec 8 Vol 12/12 Neurology Dec 59

5991. LATENT VASCULAR INSUFFICIENCY OF THE BRAIN STEM PROVED CLINICALLY AND BY EEG - Latentní vaskulární insuficience kmene mozkového v klinickém i EEG příkazu - Bajer A. and Kameník M. Nerv. Klin., Masarykovy Univ., Brno - ČSL. NEUROL. 1958, 21/4 (281-285)

Latent vascular insufficiency of the brain stem was proved clinically and with the aid of EEG by De Kleyn's test in 37 patients. In all cases pyramidal tract signs were found during the test in many vestibular and cerebellar signs; sensory disorders were, however, less frequent. Changes in the EEG were found in only 18 cases; pathological waves were localized beyond the regions supplied by the posterior cerebral artery. Therefore, their origin must be sought in the reticular formation of the brain stem. The carotid sinus reflex caused EEG changes only in three patients. In the nystagmogram nystagmus was found during the test in 19 cases.

BAJER, Antonin; BOHRN, Karel; KAMENIK, Miroslav

Functional test of the free passage of brain stem blood vessels by means of de Kleyn's test. Cesk. otolar. 8 no.1:55-61 Feb 59.

1. Neurologicka klinika MU v Brne, prednosta prof. dr. K. Popek  
Otorinolaryngologicka klinika MU v Brne, prednosta prof. dr. Ninger.  
A. B. Pekarska 53, Brno.

(ARTERIOSCLEROSIS, physiol,

de Kleyn's test of free passage of brain stem blood vessels  
in cerebral arteriosclerosis (Cz))

(BRAIN, blood supply

arteriosclerosis, de Kleyn's test of free passage of brain  
stem blood vessels (Cz))

BAJER, Antonin; BOHRN, Karel

Blood circulation disorders in the brain stem in cervical disk lesions. Cesk. neurol. 23(56) no.7:476-480 '60.

1. Nervova klinika Purkynovy university v Brne, prednosta prof. dr K.Popek Usni oddeleni KUNZ, Brno.

(INTERVERTEBRAL DISK dis)

(CEREBROVASCULAR DISORDERS etiol) (BRAIN STEM blood suppl)

EXCERPTA MEDICA Sec. 16 Vol 7/10 Cancer October 50

4197. *Endrey* Cine-micrographic studies on chromosome movements in  $\beta$ -irradiated cells BAIER A. Lab. of Plant Physiol., Jagellonian Univ., Cracow *Chromosoma (Berl.)* 1958. 9. 4 (319-331) Tables 1 Illus. 36  
Endosperm of *Haemanthus katharinae* BAK was placed in glass cylinders and irradiated with a mixture of the radioisotopes of caesium and strontium for 8 hr. The course of mitosis was recorded by time lapse photography with the use of phase contrast equipment. Irradiation produced chromosome fragmentation and a lengthening of the mitotic period. While the development of the mitotic spindle appeared normal, the chromosome fragments underwent peculiar movements and many were eliminated into the cytoplasm. The author enumerated and described 5 possible forces which exist during mitotic division. The general properties of the forces were described but their nature remains unknown. Gatz - Augusta, Ga.

Bajer, Andrzej

POL. 2

Observations *in vivo* on the metaphase and anaphase of the spermatocytes of the snail *Cepea hortensis*. A. Bajer (*Folia Biol. Warsav.* 1954, 2, 99--112).—Spermatocytes of the first order in snails *C. hortensis* Mull. and *Helix pomatia* L. were observed *in vivo*. In the cells with demixing in the metaphase the plate is gradually destroyed whereby the chromosomes are irregularly pulled in the directions of the 2 poles, in consequence of which the restitution nucleus often forms. Some of these processes resemble unsuccessful anaphase attempts. Observations on the movement of chromosomes in the anaphase indicate that there are 2 stages of movement: movement under the influence of the action of half-spindles to attain more or less the length of the spindle, and movement under the influence of the pushing body. The observations presented suggest either that the action of the pushing body is synchronised with the partition of the cell into daughter cells and acts with the same speed, or that the action of the pushing body is only apparent, and the chromosomes move exclusively in consequence of the action of the cleavage furrow during its formation. Observations made of the anaphase of the multinuclear cell support the latter explanation.

B. VINEY.



BAYYER, Andrey [Bajer, A.]; MOLE-BAYYER, Yadviga (Mole-Bajer, J.)

Methods of studying mitosis in the endosperm in vitro. Bot.  
zhur. 47 no.12:1801-1804 D '62. (MIRA 16:6)

1. Yagellonovskiy universitet, Krakov.  
(Karyokinesis)

ASCIK, Kazimierz; BAJER, Bronislaw

Testing the air dust pollution and the efficiency of ventilation installations in teasing departments of factories of the knitting industry. Przegl wlokien 17 no. 10:Suppl.: Biul przem dziew i poncz 1 no. 7:1-3 0 '63.

~~BAJER, Eduard~~

Automaticke avarovani ve stavbe kotlu. (Automatic Welding in the Boiler Construction. 1st ed. illus., bibl.) Prague, UTEIN, 1957. 93 p. Series No. 7, Vol. 1, 1957 of Technicke informace (Technical Information)

Bibliograficky katalog, CSR, Ceske knihy, No. 33. 24 Sept 57. p. 724.

BAJER, F.; SZCZUPOWSKI, A.

General criteria for the organization of wall cutting with prior-cut kerfs.  
Biuletyn. p. 9. (PRZEGLAD GORNICZY, Vol. 9, No. 11, Nov. 1953, Stalinograd,  
Poland)

SO: Monthly List of East European Accessions, (EEAL), LC, Vol. 3, No. 12, Dec.  
1954, Uncl.

10

10

001 005 008 01 021 011 21  
100 000

the optimum

301 81 022 273 :  
T. J. Stozanwar: A Theoretical Basis for Work Organization of Longwalls Worked by Undercutting and Caving

Teoretyczne podstawy organizacji pracy przy wydobyciu węgla kamiennego systemem podciągania i wybijania. Prace PAN, pp. 111-132, 1954.

An attempt at eliminating the varied, often haphazard, work organization method applied on mine faces. For this purpose the organization of work in a longwall worked by undercutting and caving is chosen as an example. The paper proves that it is possible to introduce a uniform organization based on technical conditions due to geological conditions. The main factors influencing the face are: one of the important factors in uniform organization is the choice of the mechanical and transport equipment most suitable for the specific conditions at the face. The distribution of machines depends first of all on geological conditions, though these conditions by themselves have no direct effect on the organization pattern on the face, and can at most, within certain limits, influence the excavation height of the face. In conclusion, stress is laid on the necessity to introduce permanent work organization patterns. This would ensure that the output plans for each of the working places are fulfilled and thus make possible, without much trouble, the fulfilment of the daily, monthly, and consequently annual production plans of the mine.

GP

Q

V 3806. SHOT-FIRING AHEAD OF A CUTTER LOADER. Baker, F. (Arzegl. Arzegl.)  
(Hln, Rev., Stalinograd), Nev. 1956, vol. 1, pp. 100-102.

BAJER, F.

BAJER, F. Shot firing preceding the mining and loading machine; some Polish experiments with a Soviet method of shot firing preceding the use of a mechanical mining and loading machine. p. 400. Vol. 11, No. 11, Nov. 1955. PRZEGLAD GORNICZY. Stalipogrod, Poland.

SOURCE: East European Accessions List (EFAL) LC VOL. 5, No. 6 June 1956



BAJER, J.; Kirchner, Z.

Maceration of rock for microfaunal investigations. p. 572.  
(PRZEGLAD GEOLOGICZNY. Vol. 4, No. 12, Dec. 1956, Warszawa, Poland)

SO: Monthly List of East European Accessions (EEAL) LC. Vol. 6, No. 12, Dec. 1957.  
Uncl.

BAJER, J.; KIRCHNER, Z.

Some methods of recovering fossils from rocks. p. 29. (Nafta, Vol. 13,  
No. 2, Feb 1957, Krakow, Poland)

SO: Monthly List of East European Accessions (EEAL) LC, Vol. 6, No. 8, Aug 1957. Uncl.

BAJER, K.

"Problem of Disposing Surface Water in Towns and Villages." P. 244.  
(GAZ, WODA I TECHNIKA SANITARNA, Vol. 28, No. 8, Aug. 1954. Warszawa,  
Poland)

SO: Monthly List of East European Accessions, (EEAL), LC, Vol. 4,  
No. 1, Jan. 1955 Uncl.

BAJER, K.

"Casual waters in fecal sanitary engineering," Gaz, Woda I Technika Sanitarna, Warszawa, Vol 28, No 9, Sept. 1954, p. 273.

SO: Eastern European Accessions List, Vol 3, No 11, Nov 1954, L.C.

BAJER, K.

Proper utilization and control of sewage purifying plants. p. 181.  
GAZ, WODA I TECHNIKA SANITARNA, Warszawa, Vol. 29, no. 5, May 1955.

SO: Monthly List of East European Accessions, (EEAL), LC, Vol. 4, no. 10, Oct. 1955,  
Uncl.

BAJER, K.

Underground automatic sewage pumping stations. p. 226.  
GAZ, WODA I TECHNIKA SANITARNA, Warszawa, Vol. 29, no. 7, July 1955.

SO: Monthly List of East European Accessions, (EEAL), LC, Vol. 4, no. 10, Oct. 1955,  
Uncl.

BAJER, K.

Designing small and medium mechanical sewage purifying plants for houses.  
p. 203, Vol. 29, no. 6, June 1955, GAZ, WODA I TECHNIKA SANITARNA

SO: MONTHLY LIST OF EAST EUROPEAN ACCESSIONS, (EEAL), Vol. 4, No. 9, IC,  
Sept. 1955, Uncl.

BAJER, K.

Small fresh-water sediment collectors and the problem of their  
prefabrication. p. 419

Vol. 29, no. 12, Dec. 1955  
GAZ, WODA I TECHNIKA SANITARNA  
Warszawa

Source: East European Accessions List (EEAL), IC, Vol. 5, no. 3,  
March 1956



BAJER, K.

The problem of multipurpose investigations of sewer cleaning investments. p. 236

GAZ, WODA I TECHNIKA SANITARNA (Stowarzyszenie Naukowo-Techniczne Inzynierow i Technikow Sanitarnych, Ogrzewnictwa i Gazownictwa) Warszawa, Poland.  
Vol. 33, no. 6, June 1959

Monthly List of East European Accessions (EEAI) LC, Vol. 8, no. 9, September 1959  
Uncl.

BAJER, Michal, mgr., inz.

Hydromechanical coal extraction; experiments on an industrial scale in the Trelewis colliery, Great Britain. Przegl gorn 18 no.1:71-74 '62.



BAJER, M.

Technical mining terminology.

p. 351 (Przeblad Gorniczny. Vol. 12, no. 9, Sept. 1956. Katowice, Poland)

Monthly Index of East European Accessions (MEAI) LC. Vol. 7, no. 2,  
February 1958

BRJER, M

BAJER, M.

Technical mining terminology.

p. 388 (Przeblad Gorniczny. Vol. 12, no. 10, Oct. 1956. Katowice, Poland)

Monthly Index of East European Accessions (EEAT) LC. Vol. 7, no. 2,  
February 1958

*BAYER M.*

CZECHOSLOVAKIA / Physical Chemistry. Kinetics. Combustion. Explosions. Topochemistry. Catalysis. B

Abs Jour: Ref Zhur-Khimiya, No 20, 1959, 70779.

Author : Bajer, M.

Inst : ~~Not~~ given.

Title : The Effect of Dissociation on the Detonation Temperature of a Methane - Air Mixture.

Orig Pub: Sb. vedec. praci Vysoke skoly banske Ostrave, 1958, 4, No 6, 587-593.

Abstract: At high temperatures, a dissociation of molecules takes place accompanied by liberation of heat, which lowers the temperature developed on explosion. The temperature of the mixture,  $\text{CH}_4 - \text{O}_2$ , is calculated on the basis of this factor without taking dissociation into consideration.  
-- From the authors' summary.

Card 1/1

BAJER, M.; OTASEK, F.

"Mathematical determination of the lower limit of inflammability in gases." p. 91.

UHLL. (Ministerstvo paliv). Praha, Czechoslovakia, Vol. 1, No. 3, Mar. 1959.

Monthly list of East European Accessions (EEAI), LC, Vol. 8, No. 8, August 1959.  
Uncla.

BAJER, M.

Developmental trends in the natural fuel industry in the light of resolutions of the 21st Conference of the Communist Party of the Soviet Union. p. 475.

PRZEGLAD GORNICZY. (Stowarzyszenie Naukowo-Techniczne Inzynierow i Technikow Gornictwa) Katowice. Poland.  
Vol. 15, no. 10/11, Oct./Nov. 1959.

Monthly List of East European Accessions (EEAI) LC, Vol. 9, no. 2, Feb. 1959.

Uncl.



OTASEK, Frantisek, dr., inz.; BAJER, Miroslav, inz.

Use of nitrogen to prevent the fire-damp explosions. Uhli 3 no.12:  
407-411. D '61.

1. Vedeckovyzkumny uhelny ustav (for Otasek) 2. Vysoka skola banska,  
Ostrava (for Bajer)

(Coal mines and mining) (Mine explosions)  
(Nitrogen)

BAJER, Miroslav, dr.; OTASEK, Frantisek, dr., inz., laureat statni ceny

Effect of the nitrogen on the explosion interval of the  
methane-air mixture. Sbornik skol ban 8 no.2:141-150 '62.

1. Vedeckovyzkumny uhelny ustav, Ostrava - Radvanice.

OTASEK, Frantisek, dr., inz., laureat statni ceny; BAJER, Miroslav, dr.

Effect of inert gases ( $N_2 + CO_2$ ) on the explosion interval of  
the methane-air mixture. Sbornik skol ban 8 no.2:151-161 '62.

1. Vedeckovyzkumny uhelny ustav, Ostrava - Radvanice.

OTASEK, Frantisek, dr., inz.; BAJER, Miroslav, dr.

Effect of the carbon dioxide on the explosion interval of  
the methane-air mixture. Sbor VSB Ostrava 8 no.4:369-381  
'62.

BAJER, M.

Development prospects of the coal industry. Wladca  
gorn 13 no.7/8:229-232 ~~Il~~Ag '62.

BAJER, M.

Development prospects of the coal industry in the U.S.S.R.  
Przełł gorn 18 no. 78:466-470 J1-Ag '62.

BAJER, M.

Concentration of work in collieries. Przegl gorn 18 no.12:746-749  
D '62.

OTASEK, Frantisek; BAJER, Miroslav

Computation of the lower and upper ignition limit of the  
methane air mixture. Prir cas slezsky 23 no.1:37-44 '62.



OTASEK, Frantisek, dr., inz.; BAJER, Miroslav, dr.

Determining the extinction point of inflammability of  
firedamp and inert gas mixtures with air. Uhlí 5 no.5:  
159-162 My '63.

1. Vedeckovyzkumny uhelny ustav, Radvanice (for Otasek)
2. Vysoka skola banska, Ostrava (for Bajer).

~~OTASEK~~ Frantisek, dr.; BAJER, Miroslav, doc., dr.

Inactivation of explosive mixtures of methane with the air  
by means of nitrogen and carbon dioxide. Sbor VSB Ostrava  
9 no.2:289-295 '63.

1. Vedeckovyzkumny uhelny ustav Ostrava-Radvanice (for  
Otasek). 2. Vysoka skola banska, Ostrava (for Bajer).

OTASEK, Frantisek, dr. inz.; BAJER, Miroslav, dr.

Determination of the stopping of the inflammability of the  
( $\text{CH}_4 + \text{N}_2 + \text{CO}_2$ ) mixture with air. Sbor VSB Ostrava 9  
no.4:605-612 163.

OTASEK, Frantisek, inz. dr.; BAJER, Miroslav, dr.

Determination of the volume of inflammable gases at the point of inflammability cessation. Uhli 6 no. 2:53-56 F '64.

1. Vedeckovyzkumny uhelny ustav, Ostrava-Radvanice (for Otasek).
2. Vysoka skola banska, Ostrava (for Bajer).

OTASEK, Frantisek, Dr. Ing.; BAJEL, Karel, Dr.

Determining the limit of inflammability of carbon monoxide  
in mixtures with the air and its influencing by inert gases.  
Sbor VSB Ostrava 9 no.7:929-951 1959.

Determining the limit of inflammability of hydrogen in  
mixtures with the air and its influencing by inert gases.  
Ibid.:953-973

1. Higher School of Mining, Ostrava.

BAJER, Michal

Development trends of natural fuel industries in the light  
of the resolutions of the 21st Congress of the Communist  
Party of the Soviet Union. Wiadom gorn 10 no. 7/8:223-224  
Jl-Ag '59.

BAJER, Z.

Welding with semiautomatic machines of Czechoslovak manufacture,  
p. 252, STROJIRENSKA VYROBA (Ministerstvo strojirenstvi) Praha,  
Vol. 3, No. 6, June 1955

SOURCE: East European Accessions List (EEAL) Library of Congress,  
Vol. 4, No. 12, December 1955

BAJER, Z.

Mechanized clamping equipment Tr. from the Russian, p. 255,  
STROJIRENSKA VYROBA (Ministerstvo strojirenstvi) Praha, Vol. 3,  
No. 6, June 1955

SOURCE: East European Accessions List (EEAL) Library of Congress,  
Vol. 4, No. 12, December 1955



BAJER, Z.

Holik, J. Discussion on full utilization of welding technology.  
p. 454.  
STROJIRENSKA VIROBA, Prague, Vol. 3, no. 11, Nov. 1955.

SO: Monthly List of East European Accessions, (EEAL), LC, Vol. 5, No. 6,  
June 1956, Uncl.

BAJER, V.

Economics of submerged arc welding and standardization. (To be contd.)  
p. 219. ZVARNIE. (Ministerstvo hutneho prumyslu a rudnych bani a  
Ministerstvo strojarstva. Vol. 4, no. 7, July 1955.

SOURCE: East European Accessions List, Vol. 5, no. 9, September 1956

BAJER, Z.

Economic questions of submerged welding and standardization. p. 251.

Vol. 4, no. 3, August 1955

ZVARANIE

Bratislava, Czechoslovakia

Source: East European Accession List. Library of Congress  
Vol. 5, No. 3, August 1956

BAJKA, Z.

Contribution to the technology of semi-automatic welding. p. 294.

ZVARNENIJE vol. 4, no. 9/10, Sept. 1955

Czechoslovakia

so. EAST EUROPEAN ACCESSIONS LIST vol. 5, no. 7 July 1956