

AKHMEDOV, M.A., kand.meditsinskikh nauk

Traumatic cysts of the pancreas. Med. zhur. Uzb. no. 1:73 Ja '60.  
(MIRA 13:8)

1. Iz kliniki fakul'tetskoy khirurgii (zav. - prof. F.M. Golub)  
Samarkandskogo gosudarstvennogo meditsinskogo instituta im.  
I.P. Pavlova.

(PANCREATIC CYSTS)

GOLUB, F.M., prof.; ARIPOV, U.A.; AKHMEDOV, M.A.; MAKHMUDOV, A.Kh.

Suture of a nerve, repair of large defects of the nerve trunk,  
and prevention of amputation neuromas. Med. zhur. Uzb. no.1:  
26-31 Ja '61. (MIRA 14:6)

1. Iz kafedry fakul'tetskoj khirurgii Samarkandskogo gosudarstvennogo  
meditsinskogo instituta imeni I.P.Pavlova.  
(SUTURES) (SCIATIC NERVE—TRANSPLANTATION)  
(NERVOUS SYSTEM—TUMORS)

AKHMEDOV, M.A., kand.med.nauk

Case of Echinococcus of the thyroid gland. Med. zhur. Uzb. no.5:  
71 My '61. (MIRA 14:6)

1. Iz kliniki fakul'tetskoy khirurgii (zav. - prof. F.M.Golub)  
Samarkandskogo gosudarstvennogo meditsinskogo instituta imeni  
I.P.Pavlova.

(THYROID GLAND—HYDATIDS)

AKHMEDOV, M.A., kand.med.nauk

Use of a metal rod for the intraosseous fixation of femoral fractures  
in children. Med. zhur. Uzb. no.2:45-46 F '60, (MIRA 15:2)

1. Iz kliniki fakul'tetskoy khirurgii (zav. - prof. F.M.Golub)  
Samarkandskogo gosudarstvennogo meditsinskogo instituta imeni I.P.Pavlova.  
(FEMUR FRACTURE)

AKHMEDOV, M.A.

Some aspects of esophageal cancer. Zdrav. Kazakh. 21 no.5:11-16  
'61. (MIRA 15:2)

1. Iz kafedry gosspital'noy khirurgii (zav. - chlen-korrespondent  
AMN SSSR, professor I.F. Berezin) Turkmenskogo meditsinskogo instituta.  
(ESOPHAGUS--CANCER)

AKHMEDOV, M.A., kand. med. nauk; KHASHIMOV, I.Kh.

Trichobezoar in a child. Vest. khir. 92 no.6:94 Je '64.  
(MIRA 18:5)

1. Iz fakul'tetskoy khirurgicheskoy kliniki (zav. - prof. F.M. Golub) Samarkandskogo meditsinskogo instituta (rektor - dotsent M.N. Khaitov).

AKHMEDOV, M.G.; GUSEYNOV, A.N.; NABIYEV, G.I.

Using non-drairage hydrochloric acidization of injection wells  
of the Oil Well Administration of the Shirvan Petroleum Trust,  
Nefteprom. delo no.2:18-20 '65. (MIRA 18:5)

1. Gosudarstvennoye ob"yedineniye Azerbaydzhanskoy neftyanoy  
promyshlennosti i Neftepromyslovoye upravleniye "Shirvanneft".

AKHMEDOV, M.I.; TROITSKIY, V.F.

Effective cooperation of oil field workers and scientists. Azerb.neft.  
khoz. 35 no.10:45 O '56. (MIRA 10:1)  
(Oil wells--Equipment and supplies)



AKHMEDOV, Mustafa Isa; SHUSHALY, Mamed Amrakh

[How we obtain high wheat yields; the Lenin Collective Farm of the Kazakh Regional Administration]  
Biz neche iuksek bugda mehsulu kotururuk; Gazakh istehsalat idaresinin Lenin adyna kolkhozu. Baky, Azerneshr, 1964. 21 p. [In Azerbaijani] (MIRA 17:5)

1. Predsedatel' Kolkhoza im. Lenina Kazakhskogo proizvodstvennogo upravleniya (for Akhmedov).

38240. AKHMEDOV, M. M.

Okhotnich'e-promyslovyye ptitsy Zeravshanskoy doliny. Trudy Samarkandsk. gos. ob'edin. Ped. i uchitel. in-ta im. Gor'kogo, t. VI, 1948, s. 69-90

AKHMEDOV, M.M.

Comparative morphological characteristics of the inner ear in some  
birds. Trudy UzGU no. 88:91-102 '59. (MIRA 14:4)  
(Sense organs--Birds) (Ear--Anatomy)

AKHMEDOV, M.M.

Effect of the way of life on the anatomic structure of the inner  
ear of the swift *Apus melba petrensis* Bongs. Trudy UzGU no.110:  
43-50 '61. (MIRA 15:3)  
(Samarkand--Swifts) (Ear)

AKHMEDOV, M.M.

Comparative morphologic characteristics of the organ of equilibrium  
in some river ducks of the Zeravshan Valley. Trudy UzGU  
no.110:51-64 '61. (MIRA 15:3)  
(Zeravshan Valley--Ducks) (Labyrinth (Ear))

AKHMEDOV, M.M.

Modern terminal in Baku. Zhel. dor. transp. 47 no.6:21-23  
Je '65. (MIRA 18:6)

1. Nachal'nik vokzala stantsii Baku-Passazhirskiy Zakavkazskoy  
dorogi.

AKHMEDOV, MAMED NADZHAF

Epp  
.R92310

Metody vedeniya tekhnologicheskogo rezhima na neftepererabatyvayushchikh ustanovkakh (Methods of introducing a technological system in petroleum processing plants, by) M. N. Akhmedov (1) Ita Matveyevna Kardash. Baku, Azneftaizdat, 1954.

67 P. diagrs., graphs, tables. /t head of title: Biblioteka Novatora-Neftyanika.

Bibliographical Footnotes.

~~AKHMETOV, Mamed Nadzhaf ogly;~~ KARDASH, Ita Matveyevna; GUTYRYA,  
V.S., prof., red.; KRAMSKOY, V.P., kand. tekhn. nauk,  
red.; GONCHAROV, I.A., tekhn. red.

[Methods for carrying out the production process on  
petroleum refining units] Metody vedenia tekhnologiche-  
skogo rezhima na neftepererabatyvaiushchikh ustanovkakh;  
iz opyta raboty zavoda im.A.A.Andreeva. Baku, Aznefteizdat,  
1954. 67 p. (MIRA 16:8)

1. Chlen-korrespondent AN SSSR (for Gutyrva).  
(Petroleum--Refining)



AKHMEDOV, M. N.

USSR/Chemical Technology. Chemical Products and Their Application -- Fats and oils. Waxes. Soap. Detergents. Flotation reagents, I-25

Abst Journal: Referat Zhur - Khimiya, No 2, 1957, 6428

Author: Ashimov, M. A., Akhmedov, M. N., Rabinovich, A. Yu., Mamedova, M. A., Skripchenko, Ye. S.

Institution: Academy of Sciences Azerbaydzhon SSR

Title: Utilization of Petroleum Sulfonic Acids in the Production of Detergents

Original  
Publication: Izv. AN AzerbSSR, 1955, No 10, 45-48

Abstract: Description of the results of tests of samples of Azolyat-B (sodium salt of petroleum sulfonic acids). Aqueous solutions of Azolyat-B are characterized by satisfactory surface active properties. Substitution in the formula of fatty soap of natural fats by Azolyat-B in an amount of 20%, causes no lowering of the surface active properties of the aqueous solution of the soap.

Card 1/1

AKHMEDOV, M.N.

Using high viscosity masut as fuel in oil refineries. Azerb.  
neft.khoz. 35 no.3:27-28 Mr '56. (MLRA 9:10)

(Petroleum--Refining)

**AKHMEDOV, M.N.; GERMAN, A.L.**

Establishing expenditure norms of alkali for leaching petroleum  
distillates. Azerb.neft.khoz.35 no.9:27-28 S '56. (MLRA 9:12)  
(Leaching) (Petroleum--Refining)

ASHIMOV, M.A.; AKHMEDOV, M.N.

Production of the synthetic detergent Azolate B from a natural aromatic substance found in certain Azerbaijanian crude oils and prospects for its production on a commercial scale in Baku. Dokl.AN Azerb.SSR 15 no.8:673-680 '58.

(MIRA 13:1)

(Cleaning compounds) (Petroleum chemicals)

ASHIMOV, M.A.; AKHMEDOV, M.N.

Producing the synthetic detergent azelate-B from natural aromatic compounds contained in several Azerbaijanian crude oils and prospects for its commercial production in Baku, Dokl. AN Azerb. SSR 15 no.6:493-496 '59. (MIRA 12:9)  
(Cleaning compounds) (Petroleum) (Sulfonic acids)

ASHIMOV, M.A.; AKHMEDOV, M.N.

Production of the synthetic detergent Azolate B from a natural aromatic substance found in certain Azerbaijanian crude oils and prospects for its production on a commercial scale in Baku. Report no.3. Dokl. AN Azerb. SSR 15. no.9:803-808 '59.

(MIRA 13:2)

(Cleaning compounds)

MARDANOV, M.A.; AKHMEDOV, M.N.; SULTANOV, S.A.; ISMAYLOVA, L.G.

Development of the technology of the continuous refining of  
petroleum distillates by means of sulfuric acid: Khim.i  
tekh.topl.i masel 8 no.8:32-33 Ag '63. (MIRA 16:9)

1. Institut neftekhimicheskikh protsessov AN AzerSSR.  
(Petroleum--Refining) (Sulfuric acid)

petroleum residue

by light and heavy thermal cracking of

SOURCE: Azerbaydzanskiy khimicheskiy

cracked kerosene, kerosene stability



waste sulfuric acid of 75-85% concentration is used on the cracked kerosene; 4) the yield of motor fuel is 80-85% on the cracked kerosene; 5) a rerun of the cracked kerosene yields 9-13% heavy residue for manufacturing quality residual fuels and

AKHMEDOV, M.S.

Time saving is the main objective. Avt.dor. 25 no.5:9 My '62.  
(MIRA 15:6)

(Road construction)

AKHMEDOV, N. A.: Master Med Sci (diss) -- "The sanitary-bacteriological significance of traces of *Streptococcus faecalis* (enterococcus) in water". Tashkent, 1958. 15 pp (Tashkent State Med Inst), 230 copies (KL, No 9, 1959, 117)

USSR / Microbiology. Sanitary Microbiology.  
Sanitary Microbiology of Water.

F

Abs Jour : Ref Zhur - Biologiya, No 5, 1959, No. 19505

Author : Akhmedov, N. A.

Inst : Not given

Title : Survival of Enterococci in Water

Orig Pub : Med. Zh. Uzbekistana, 1958, No 1, 23-28

Abstract : Under experimental conditions, the survival of enterococci (*Str. faecalis*) was determined in dechlorinated water. The water was infected with enterococci, obtained from warm-blooded animals (man, horse, cow, pigeon, etc.) and also from coldblooded animals (frog, tadpole, carp, dragonfly, etc.). It was demonstrated that enterococci survive in water for 9-70 days, the dying process of

Card 1/2

USSR / Microbiology. Sanitary Microbiology.  
Sanitary Microbiology of Water.

F

Abs Jour : Ref Zhur - Biologiya, No 5, 1959, No. 19506

Author : Akhmedov, <sup>N.</sup> A.

Inst : Not given

Title : Fecal Streptococcus and Its Sanitary  
Bacteriological Significance

Orig Pub : Med. zh. Uzbekistana, 1958, No 4, 58-61

Abstract : The intestinal contents of warmblooded  
animals (men, cows, horses, chickens, ducks,  
and pigeons) and of the coldblooded animals  
and insects (tadpoles, frogs, fish, rainworms,  
leeches, wasps, European hornets and dragon-  
flies) were investigated for the presence  
of fecal streptococci (FS). From all these  
animals, FS were obtained, which did not

Card 1/2

AKEMEDOV, N.A.; KLYUCHAREVA, T.Ye.; SAMSONOV, P.F.; YANISHEVSKAYA, M.N.

Specific phages in the diagnosis of bacterial dysentery. Report  
No.1. Nauch.trudy uch.i prak.vrach.Uzb. no.3:151-157 '62.  
(MIRA 16:2)

1. Iz kafedry mikrobiologii Tashkentskogo gosudarstvennogo  
meditsinskogo instituta (zav. - prof. P.F. Samsonov) i Oblastnoy  
sanitarno-epidemiologicheskoy stantsii Tashkenta (zav. S.I.  
Eydel'nant).

(DYSENTERY)

(BACTERIOPHAGE)

AKHMEDOV, N.A.; KLYUCHAREVA, T.Ye.

Identification of Schmitz-Stutzer's and Flexner's dysenteric bacteria by the use of bacteriophage. Report No.2. Nauch.trudy uch.i prak.vrach.Uzb. no.3:158-162 '62. (MIRA 16:2)

1. Iz kafedry mikrobiologii Tashkentskogo gosudarstvennogo meditsinskogo instituta (zav. - Zasluzhennyy deyatel' nauki, prof. P.F. Samsonov) i bakteriologicheskoy laboratorii oblastnoy sanitarno-epidemiologicheskoy stantsii Tashkentskogo oblastnogo otdela zdravookhraneniya (zav. - S.I. Eydel'nant).  
(BACTERIOPHAGE) (SHIGELLA)

AKHMEDOV, N.A.

Differentiation of the Kruse-Sonne dysenteric bacteria by the use of bacteriophage. Report No.3. Nauch.trudy uch.i prak.vrach.Uzb. no.3:163-167 '62. (MIRA 16:2)

1. Iz kafedry mikrobiologii Tashkentskogo gosudarstvennogo meditsinskogo instituta (zav. - zasluzhennyy deyatel' nauki prof. P.F. Samsonov).

(SHIGELLA)

(BACTERIOPHAGE)



AKHMEDOV, N.K.

Regeneration of peripheral nerve trunks following whole-body  
and local X-ray irradiation. Uzb. biol. zhur. 9 no.5:78 '65.  
(MIRA 18:10)

1. Tashkentskiy meditsinskiy institut.

AKHMEDOV, N.K., dotsent

Comparative evaluation of some methods for treating the stump of large nerve stems in amputation of the extremities. Med. zhur. Uzb. no.11:9-13 N '61. (MIRA 15:2)

1. Iz kafedry operativnoy khirurgii s topograficheskoy anatomiyey (zav. - prof. B.A.Stekol'nikov) i kafedry normal'noy anatomii (zav. - prof. R.I.Khudayberdiyev) Tashkentskogo gosudarstvennogo meditsinskogo instituta.  
(AMPUTATION STUMP) (NERVES SURGERY)

27 1229

40536

S/242/62/000/005/001/001  
1016/1216

AUTHORS: Akhmedov, N. K., Docent

TITLE:

PERIODICAL: Meditsinskiy zhurnal uzbekistana, no. 5, 1962, 11-13

TEXT: The effect of x-irradiation on the degeneration and regeneration of peripheral nerves was studied, as this problem has not received sufficient attention hitherto. 61 adult rabbits were used, 36 of which were irradiated for 4 days with a daily dose of 300 r applied to the middle part of the left thigh. Seven days later about 0.5 cm of the left sciatic nerve was resected. The animals were watched constantly for 6 months and several were killed after various periods. The central and peripheral segments of the sciatic nerve and the tibial and peroneal nerves were examined histologically. The 25 control unirradiated rabbits were otherwise treated in an identical manner. The results show that regenerative processes commenced in the nerve of the irradiated animal relatively late, lasting longer than in the control. Irradiation also considerably inhibited the process of degeneration of the axons and resorption of the decomposition products in the injured nerve. There are 2 figures.

ASSOCIATION: Iz kafedr normal'noy anatomii (zav.-prof. Z. G. Slobodin i prof. R. I. Khudayberdyev) Karagandinskogo i Tashkentskogo gosudarstvennykh meditsinskikh institutov (Chairs of Normal Anatomy [headed by Profs. Z. G. Slobodin and R. I. Khudayberdyev], Karagandin and Tashkent State Medical Institutes)

Card 1/1

AKHMEDOV, N.K.

Morphology of peripheric nerve trunks after irradiation. Uzb,  
biol.zhur. 6 no.4:50-52'62. (MIRA 16:7)

1. Tashkentskiy gosudarstvennyy meditsinskiy institut.  
(~~X-RAYS~~---PHYSIOLOGICAL EFFECT)  
(NERVES, PERIPHERAL)

AKHMEDOV, N.M.

Organoleptic evaluation and the meat qualities of a new medium-sool  
fat-tailed sheep variety and of some other sheep varieties. Dokl.  
AN Azerb. SSR 12 no.11:861-864 '56. (MLRA 10:3)

1. Institut zoologii AN Azerbaydzhanskoy SSR. Predstave;mp akademikom  
AN Azerbaydzhanskoy SSR F.A.Melikovym.  
(Mutton) (Sheep breeding)

AKHMEDOV, N.M.

Histological study of the muscles of some sheep breeds and strains.  
Dokl.AN Azerb.SSR 13 no.7:789-795 '57. (MIRA 10:7)

1. Institut zoologii. Predstavleno akademikom AN Azerbaydzhanskoy  
SSR F.A. Melikovym.  
(Azerbaijan--Sheep breeds) (Muscle)

AKHMEDOV, N. M., Cand Agric Sci (diss) -- "The meat- and fat-productivity of certain breeds and groups of sheep raised in Azerbaydzhan". Baku, 1960.  
22 pp (Acad Sci Azerb SSR, Inst of Zool, Azerb Agric Inst), 150 copies  
(KL, No 14, 1960, 134)

AKHMEDOV, A.M.; AKHMEDOV, N.M.

Discovery in calves of pathogenic serological types of Escherichia coli observed in children in dyspepsia. Zhur. mikrobiol. epid. i immun. 31 no. 5:102-103 My '60. (MIRA 13:10)

1. Iz Azerbaydzhanskogo sel'skokhozyaystvennogo instituta.  
(ESCHERICHIA COLI)



AKHMEDOV, N.M.

Characteristics of the postembryonal growth of muscles in  
Balbas sheep. Izv. AN Azerb. SSR. Ser. biol. nauk no.6:33-  
42 '64. (MIRA 18:6)

AKHMEDOV, Nadir Movsum-Ogly, Engr.      Cand. Tech. Sci.

Dissertation: "Investigation of the Effect of Mixture Preheating on the Performance Indexes of a Kerosene Engine." Moscow Inst of Mechanization and Electrification of Agriculture imeni V. M. Molotov, 15 Jan 47.

SO: Vechernyaya Moskva, Jan 1947 (Project #17836)

MAMEDOV, Makhmud Tagi ogly; ALIYEV, Aliaga Mamed Bagir ogly; KHALILOV,  
Mamed Rza ogly; AKHMEDOV, Nadir Movsum ogly

[Russian tractors] Sovet traktorlary. Baky, Azerbaichan  
dovlet neft ve elni-tekh.edebiiat neshriiaty, 1957. 423 p.  
(MIRA 12:10)

(Tractors)

ARIFDZHANOV, M.Kh.; AKHMEDOV, P.U.

Some data on the fracturing of the rocks of the Upper Jurassic carbonate formation in the Gaurdak uplift. Uzb. geol. zhur. 7 no.6:83-90 '63. (MIRA 17:8)

1. Institut geologii i razrabotki neftyanykh i gazovykh mestorozhdeniy AN UzSSR.

IBRAGIMOV, Z.S.; ARIFDZHANOV, M.Kh.; AKHMEDOV, P.U.

Prospects for finding oil and gas in the rocks of the Upper  
Jurassic carbonate formation of Shargun and adjacent regions.  
Uzb. geol. zhur. 9 no.3:20-24 '65. (MIRA 18:8)

1. Institut geologii i razvedki neftyanykh i gazovykh metorozhdeniy  
Gosudarstvennogo geologicheskogo komiteta SSSR.

AKHMEDOV, R.

USSR/Farm Animals - Cattle.

Q-2

Abs Jour : Raf Zhur - Biol., No 1, 1956, 2703

Author : Akhmedov, R.

Inst : AS USSR

Title : Temperature Control in Cows Under Various Maintenance Conditions.

Orig Pub : V sb.: Vopr. fiziol. s.-kh. zhivotnykh, M.-L., AN SSSR, 1957, 150-156.

Abstract : Thermoregulation was investigated under conditions of pasture and summer byre maintenance on 9 cows of various breeds with last-lactation milk yields ranging from 3,893 to 7,177 liters. It was established that at byre maintenance and on cloudy days on pasture, the body temperature of lactating cows remained normal even at a high air temperature. On sultry sunny days,

Card 1/2

AKHMEDOV, R., Cand Biol Sci -- (diss) "Concerning the regulation of heat in highly productive cows under various temperature conditions of maintenance." Len 1958 33 pp (Acad Sci USSR. Inst of Physiology im I.P. Pavlov) 100 copies (EL, h2-58, 11h)

AKHMEDOV, R.

Thermoregulation incows at low environmental temperatures. Opyt izuch.  
reg.fiziol.funk. 4:166-172 '58. (MIRA 12:4)

1. Laboratoriya fiziologii sel'skokhozyaystvennykh zhiivotnykh (zavedu-  
yushchiy - prof. I.A. Baryshnikov) Instituta fiziologii imeni I.P. Pav-  
lova AN SSSR.

(COWS)

(COLD--PHYSIOLOGICAL EFFECT)

(BODY TEMPERATURE--REGULATION)



AKHMEDOV, R.; TURSUNOV, Z.T.

Effect of mixed and basically protein food on the condition of  
heat regulation. Uzb. biol. zhur. 9 no.1:27-31 '65.

(MIRA 18:6)

1. Uzbekskiy institut krayevoy meditsiny AMN SSSR.

AKHMEDOV, R.

Some data on the resistance of two breeds of cattle to high temperatures of the environment. Uzb.biol.zhur. 6 no.6:68-71 '62. (MIRA 16:5)

1. Institut krayevoy eksperimental'noy meditsiny AN UzSSR.  
(UZBEKISTAN—CATTLE) (BODY TEMPERATURE—REGULATION)

L 04713-67

ACC NR: AP6027304

(A)

SOURCE CODE: UR/0244/66/025/003/0040/0043

AUTHOR: Akhmedov, R.

ORG: Laboratory of General Physiology /headed by Doctor of Biological Sciences, Z. T. Tursunov / Uzbek Institute of Regional Medicine AMN SSSR, Tashkent (Laboratoriya obshchey fiziologii Uzbekskogo instituta krayevoy meditsiny AMN SSSR)

TITLE: Body heat regulation with a high protein diet under different ambient temperatures

SOURCE: Voprosy pitaniya, v. 25, no. 3, 1966, 40-43

TOPIC TAGS: dog, nutrition, temperature adaptation, biologic metabolism

ABSTRACT: The effects of a high protein diet and a mixed diet on body heat regulation were compared in experiments on dogs (12 to 17 kg) under conditions of room temperature and high temperature (33 to 37°). The high protein diet consisted of 48% protein, 23% fats and 29% carbohydrates; the mixed diet consisted of 22.8% protein, 23.1% fats and 54.1% carbohydrates. The daily number of calories in both diets was based on allowing 72 calories per kg of body weight. The experiments were conducted during the summer for periods of 6 to 8 days. Animals

Card 1/2

UDC: 612.55:612.398

L 04713-67

ACC NR: AP6027304

0

were exposed to the afternoon sun (1230 to 1430) to study high temperature effects. Indices included oxygen consumption, carbon dioxide given off, body temperature and respiratory rate. Under room temperature conditions the high protein diet increases the level of metabolic and oxidation processes and also affects the cardiovascular system; body temperature does not change with either diet. Under high temperature conditions the high protein diet places a considerable strain on physiological functions; metabolic processes are intensified, body temperature rises (41 to 42°), and various thermoregulatory disorders appear. Thus, under high temperature conditions, a high protein diet displays an adverse effect on body heat regulation. Orig. art. has: 2 tables.

SUB CODE: 06/ SUBM DATE: 16Feb65/ ORIG REF: 014

Card 2/2 afs

AKHMEDOV, R.B., inzh.

Hydraulic resistance of burner systems with centrifugal air  
feed. Energomashinostroenie 9 no.10:16-20 0 '63.

(MIRA 16:10)

S/096/63/000/001/004/006  
E194/E155

AUTHOR: Akhmedov, R.B., Engineer

TITLE: The aerodynamic characteristics of flames at discharge from burners with tangential air supply ensured by guide vanes

PERIODICAL: Teploenergetika, <sup>10</sup>no. 1, 1963, 28-33

TEXT: Burners in which tangential delivery of air is ensured by guide vanes are becoming widely used, but little experimental work has been done on them and this is hindering design. Tests were accordingly made with a range of burners of this type; full design data are given. Measurements were made of the velocity distribution at discharge from the burner and within the embrasure, of the delivery angle of the flame, and of irregularities in air flow rate with various amounts of swirl and various angles of swirler blade settings. Most of the velocity distribution tests were made with three-duct cylindrical probes, suitable for measuring axial and tangential components of velocity, radial components usually being unimportant. It is fully realised that measurements on cold flow cannot fully represent combustion

Card 1/3

The aerodynamic characteristics of ... S/096/63/000/001/004/006  
E194/E155

conditions where thermal expansion of the gas increases turbulence, but they nevertheless give a qualitative picture. It was found that the velocity distribution at discharge from the burner was greatly affected by the amount of swirl, the blade angle and the shape of the embrasure. High rates of swirl gave less axial flow at the centre line, but the effect became less marked as the distance from the burner throat increased. In the design of cyclone combustion chambers it is usual to define intensive swirl as that which ensures reverse flow on the centre line, but in the burners of the type described here, air delivery is not strictly tangential but is at some angle; this sufficiently alters the aerodynamics of the flame to make the aforementioned classification unrealistic. For example, a blade angle exceeding  $40^\circ$  gives no reversal of flow on the axis. The shape of the embrasure is also shown to have considerable influence on the flame shape. The structure of air flow within the embrasure is readily modelled, because in practice combustion has not commenced here. Studies of the aerodynamic structure of flow within the burner embrasure show that the angle of installation of the swirler blades has a great

Card 2/3

TITLE: Qualitative evaluation of experimental results in the study of stream development in a transversely moving twisted flux

1964. 59-65

Card 1/2



02200-45

010314

ning Commission (SSSR)

SUB CODE: ME

ACCESSION NR: AP5009920

S/0167/62/0007006/0066/0073

187

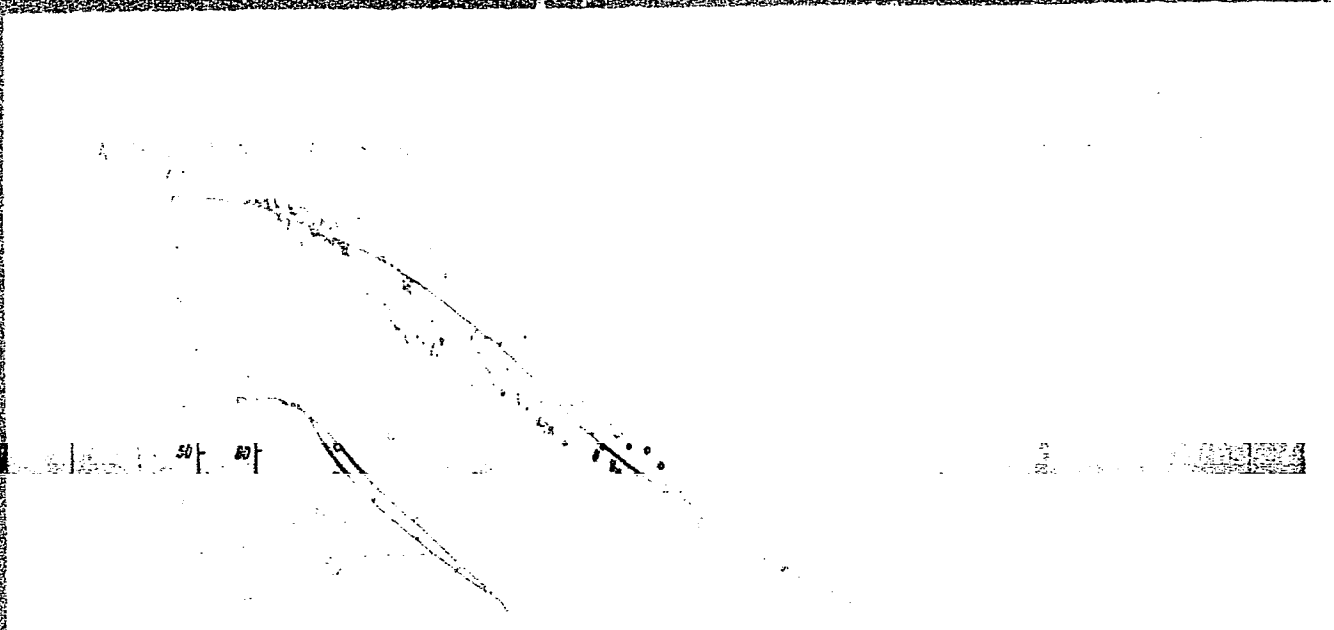
D 32733-65

ACCESSION NR: AP5003320

10 10

ENCLOSURE 1 01

Fig. 1.



"APPROVED FOR RELEASE: 06/05/2000

CIA-RDP86-00513R000100610016-6

APPROVED FOR RELEASE: 06/05/2000

CIA-RDP86-00513R000100610016-6"

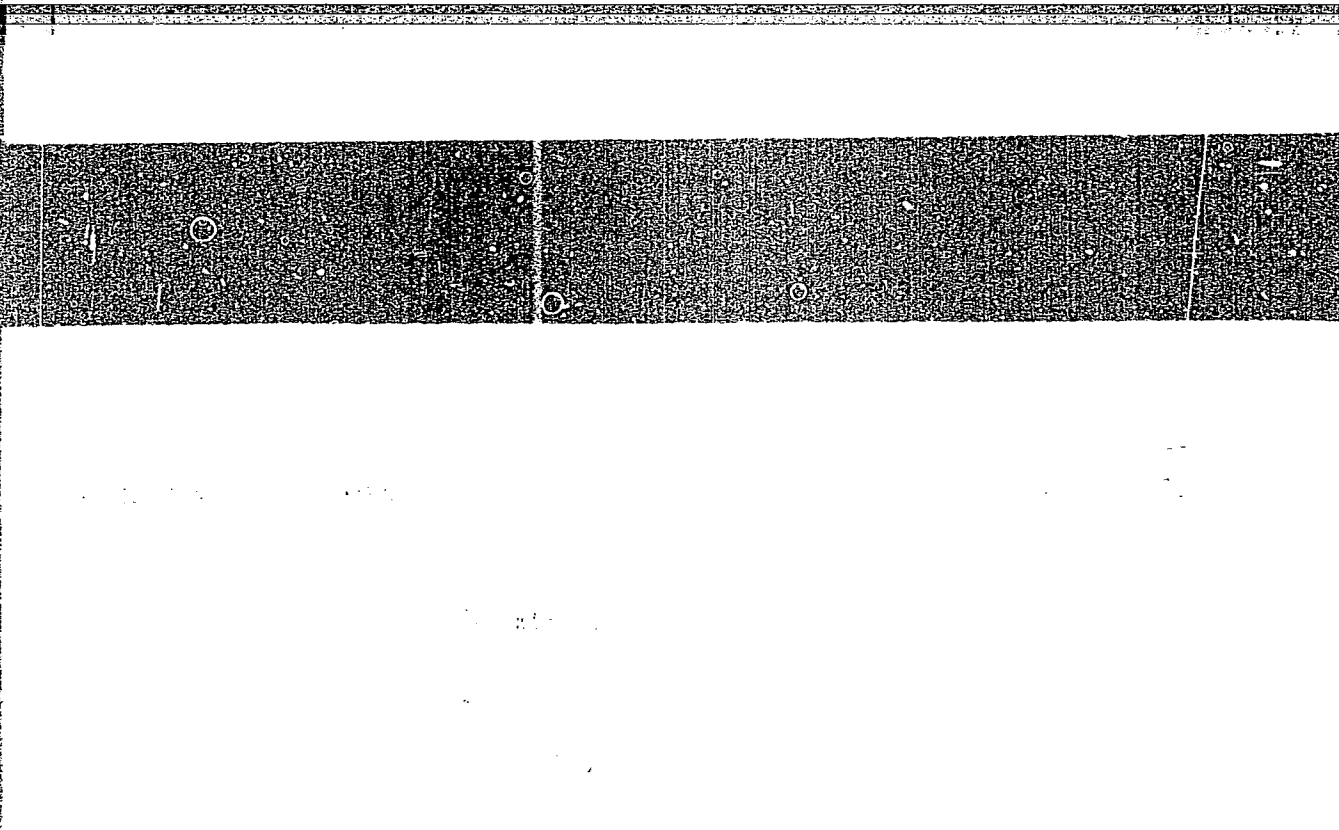


Fig. 4. Average diameter versus nozzle diameter; 1- A ( $p = 2.0$  kg/cm<sup>2</sup>); 2- A ( $p = 13.0$ ); 3- B ( $p = 5.0$ ); 4- B ( $p = 13.0$ )

06



AKHMEDOV, R.B.

Development of streams in a transverse twisted air flow.  
Izv. AN Uz. SSR. Ser. tekhn. nauk 8 no.2:82-89 '64.

1. Institut ispol'zovaniya topliva Goskhimneftekomiteta (MIRA 17:6)  
pri Gosplane SSSR.

AKHMEDOV, R.B.

Quantitative appraisal of the results of experiments conducted in  
studying the development of jets in a transverse twisted flow.  
Izv. AN Uz. SSR. Ser. tekh. nauk 8 no. 4: 59-65 '64. (MIRA 18:4)

1. Institut: ispol'zovaniya topliva Gosnefttekhnikomiteta pri  
Gosplane SSSR.

AKHMEDOV, R.B.; GORBANENKO, A.D.; ZHARKOV, B.L.; TSIRUL'NIKOV, L.M.

Flow ratio from centrifugal atomizers. Izv. AN Uz. SSR. Ser.  
tekhn. nauk 9 no. 1872-76 '65 (MIRA 1981)

1. Institut ispol'zovaniya topliva Gosneftekhimkomiteta pri  
Gosplane SSSR.

L 44779-66 TW/WE

ACC NR: AP6013265

SOURCE CODE: UR/0413/66/000/008/0055/0055

INVENTOR: Akhmedov, R. B. ; Tokbayev, M. T.

6  
B

ORG: none

TITLE: Injection gas burner. Class 24, No. 180725

SOURCE: Izobreteniya, promyshlennyye obraztsy, tovarnyye znaki, no. 8, 1966  
55

TOPIC TAGS: gas burner, injection burner

ABSTRACT: An Author Certificate has been issued for an injection gas burner containing a ring-shaped gas collector with nozzles and mixer. To decrease its overall size and to improve carburization, the mixer is made in the shape of a tangential blade apparatus and each nozzle is mounted next to a corresponding duct formed by the adjacent blades (see Fig. 1). Orig. art. has: 1 figure. [Translation]

[NT]

Card 1/2

UDC: 622.951.2

L 44779-66

ACC NR: AP6013265

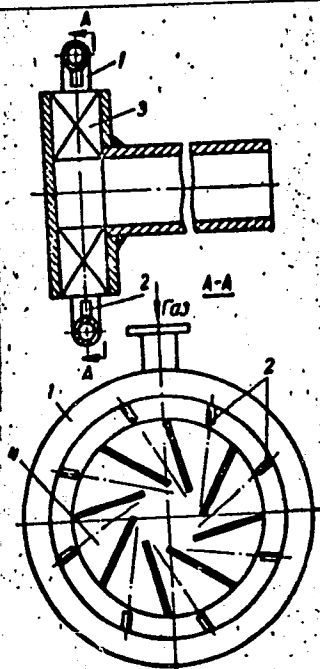


Fig. 1. Injection gas burner.  
1—Ring-shaped collector;  
2—nozzles; 3—blade apparatus;  
4--duct.

SUB CODE: 13/ SUBM DATE: 05Oct64/

212110R

ZEYNALOV, B.K.; AKHUNDOV, A.A.; AKHMEDOV, R.R.; ALEKPEROVA, S.D.

Synthesis of naphthenic acids by direct oxidation of naphthenic hydrocarbons. Azerb. khim. zhur. no.3:10-15 '65.

(MIRA 19:1)

1. Institut neftekhimicheskikh protsessov AN AzerSSR.

1.5077-01  
UDC 621.372.6.01

AUTHOR: Starodubtsev, S.V.; Arifov, U.A.; Umarov, G. Ya.; Kordub, N.V.;  
Ahmedov, B.

24  
B

coefficient

coefficient

was determined as the ratio of the flux striking a detector of radiant energy to the flux of the energy reflected from the surface of the integral reflector. The average value of the integral reflectance was determined as the ratio of the flux striking a detector of radiant energy to the flux of the energy reflected from the surface of the integral reflector. The average value of the integral reflectance was determined as the ratio of the flux striking a detector of radiant energy to the flux of the energy reflected from the surface of the integral reflector.

14-00000

ACQUISITION NO. 14-00000

... energy ... small ...  
... the surface of the ...  
... during the ...  
... weight ...  
... large size and ...

ASSOCIATED ...  
... USSR

SYMBOL ... ENCL ...

NUMBER ... OTHER ...

*Handwritten:*  
200 202



AKHMEDOV, S.A., Cand Med Sci--(diss) "Functional pathology of the  
Liver in chronic enteritis." Tashkent, 1958. 19 pp (Tashkent State  
Inst for the Advanced Training of Physicians), 220 copies (K, 22-58, 113)

-155-

AKHMEDOV, S.A., klin. ordinator

Case of autotherapy of a multilocular osseous cyst of atypical location. Azerb. med. zhur. no.8:83-84 Ag '61. (MIRA 15:2)

1. Iz kafedry rentgenologii i medradiologii (zav. - dotsent V.I.Abgarov) Azerbaydzhanskogo gosudarstvennogo meditsinskogo instituta imeni N.Marimanova (dir. - zaslushennyy deyatel' nauki, prof. B.A.Eyvazov).  
(AUTOTHERAPY) (CYSTS)

ACC: AM5004830

MONOGRAPH

UR

Akhmedov, S. A.; Khokhlov, R. V.

Problems in nonlinear optics; electromagnetic waves in nonlinear dispersing mediums; for 1962 to 1963 (Problemy nelineynoy optiki; elektromagnitnyye volny v nelineynykh disperiruyushchikh sredakh; 1962-1963) Moscow, 64. 0294 p. illus., biblio. Errata slip inserted. 1,500 copies printed. (At head of title: Itogi nauki. Akademiya nauk SSSR. Institut nauchnoy informatsii)

TOPIC TAGS:  
dispersion

optic transmission, optic material, electromagnetic wave, optic

PURPOSE AND COVERAGE: This book describes the principles of nonlinear optics of transparent dispersive media and discusses the present state of nonlinear optics. It contains a bibliography of 227 works published up to July 1963. The book is intended for scientific workers and engineers in the field of optics and radiophysics, as well as for professors, aspirants, and senior students at physics and physicotchnical departments. The authors thank V. G. Dmitriyev in collaboration with whom research was carried out and the results used in Ch. III and Ch. IV, V. I. Zharikov for helping to write Ch. V, A. I. Kovrigin for his useful discussion of problems in experimental nonlinear optics, T. M. Il'inova and O. N. Chunayev for putting the manuscript in shape, Prof. S. M. Rytov for his interest in this work and for his discussions, A. M. Prokhorov, Corresponding Member AN SSSR, for constructive criticism of the manuscript, F. V. Bunkin and V. P. Silin for their valuable comments, Y. L. Klimontovich (scientific editor) for writing parts 5, 6, and 8.2 of Ch. I and part 7 of Ch. II, and

Card 1/2

ACC NR: AM5004030

Prof. S. D. Gvozdover and Prof. V. V. Migulin for their interest in and support of this work.

TABLE OF CONTENTS [abridged]:

Foreword - - 3

Introduction - - 6

Ch. I. Nonlinear polarization of a slightly absorbing dispersive medium - - 25

Ch. II. Principles of the theory of waves in a nonlinear dispersive medium - - 79

Ch. III. Distortions of unmodulated electromagnetic waves in nonlinear dispersive media. Generation of optic harmonics - - 145

Ch. IV. Parametric effects in optics - - 197

Ch. V. Modulated waves in nonlinear dispersive media - - 237

Ch. VI. Experimental nonlinear optics - - 255

Conclusion - - 281

Bibliography - - 283

SUB CODE: 20/ SUBM DATE: 26Aug64/ SOV REF: 116/ OTH REF: 111

Card 2/2

L 10008-67  
ACC NR: AP6036365

SOURCE CODE: UR/0109/66/011/011/1915/1926  
13

AUTHOR: Akhmanov, S. A.; Chirkin, A. S.

ORG: none

TITLE: Doubling of frequency of a finite-width spectral line in the case of wave interactions in a nonlinear medium

SOURCE: Radiotekhnika i elektronika, v. 11, no. 11, 1966, 1915-1926

TOPIC TAGS: nonlinear optics, frequency conversion, harmonic generation, second harmonic

ABSTRACT: The theory of generation of the second harmonic in a weakly nonlinear medium is generalized for the case of quasi-monochromatic signals. The correlation function and the spectrum of the second harmonic were calculated under the assumption that the fundamental frequency signal is a stationary narrow-band Gaussian process. Calculations were made for the cases when the dispersion of a medium within the line-width can be neglected and when it is significant. In the latter case new effects occur which are characteristic of processes of the nonlinear interaction of random-modulated waves. It was established that in the case when the group lag times of the harmonic with respect to the fundamental are comparable to the correlation time of the fundamental radiation, the rate of growth of harmonics is retarded and the process of harmonic generation appears to resemble a noncoherent nonlinear scattering.

Card 1/2

L 10008-67

ACC NR: AP6036365

The author introduces the concept of the length of coherent nonlinear interaction of quasi-monochromatic signals. Orig. art. has: 3 figures and 57 formulas.

SUB CODE: 20/ SUBM DATE: 30Jun65/ ORIG REF: 005/ OTH REF: 004/ ATD PRESS: 5105

Card 212 *5pp*

ALIYEV, R.K.; GUSEYNOV, D.Ya.; RAKHINOVA, A.Kh.; AKHMEDOV, S.G.

Chemical composition of leaves and bark of *Eucommia ulmoides* Oliv.  
cultivated in Azerbaijan and the effect of galenicals derived from  
it on the cardiovascular system. Uch. zap. AGU. Biol. ser. no.4:57-  
64 '60. (MIRA 14:5)

(AZERBAIJAN--EUCOMMIA) (BLOOD PRESSURE)

AKHMEDOV, S.I.

Railroaders acquire knowledge. Put' i put. khoz. 8 no.1:  
36-37 '64. (MIRA 17:2)

1. Chlen pravleniya respublikanskogo obshchestva "Znaniye"  
Uzbekskoy SSR, Tashkent.



MEKHTIYEV, S.D.; AGAYEV, U.Kh.; AKHMEDOV, S.M.; SULEYMANOVA, E.T.

Photochemical chlorination of aromatic hydrocarbons and  
dehydrochlorination of their dichlorosubstituted derivatives.  
Azerb.khim.zhur. no.2:17-24 '61. (MIRA 14:8)  
(Hydrocarbons) (Chlorination)

AKHMEDEV, Sh.A.

Spectrum of a Hammerstein type nonlinear system, Izv. AN Azerb.  
SSR, Ser. fiz.-tekh. i mat. nauk. no.2:40-47 '65. (MIRA 18:8)

AKHMEDOV, Sh.A.

Theorems on the existence and uniqueness of the solution to a  
certain class of Lisapunov-Schmidt integrodifferential equations.  
Uch. zap. AGU. Ser. fiz.-mat. nauk no.4:67-77 '63.

(MIRA 17:12)

24.5600

37812

S/120/62/000/002/044/047  
E194/E435

AUTHORS: Karasik, V.R., Akchurin, R.Sh., Akhmedov, S.Sh.

TITLE: An inductively excited super-conducting magnet

PERIODICAL: Pribory i tekhnika eksperimenta<sup>7</sup>, no.2, 1962, 179-180

TEXT: The magnet has a solid Armco iron core 6 cm long, 4.5 cm wide and 1 x 1 cm cross-section. The pole tip diameter is 5 mm and the gap length 3 mm. The two 6 cm outer diameter spools for the magnetizing coils of brass, each contains an inner niobium ring of 16 mm inner dia and 22 mm outer dia, 3 mm wide, over which is wound a copper coil of 8000 turns of 8 micron dia wire which, at a temperature of 4.2°K has a resistance of about 30 ohms. The magnet hangs in a cryostat on a stainless steel tube. At the temperature of liquid nitrogen the magnetization curve is linear up to a current of 300 mA at which the magnetic field is 20 kilo-oersted (as measured by a test coil in the gap). The niobium is magnetized by applying current to the copper coil at a temperature slightly above 9°K, the magnet is then immersed in liquid helium and after about 90 sec it becomes superconducting and the current is switched off. With a magnetizing current of  
Card 1/2

S/030/62/000/005/005/006  
B104/B108

AUTHORS: Karasik, V. R., Candidate of Physical and Mathematical Sciences, Akhmedov, S. Sh.

TITLE: A solenoid of a superconducting alloy

PERIODICAL: Akademiya nauk SSSR. Vestnik,<sup>32</sup> no. 5, 1962, 86-87

TEXT: The ductility of a niobium-zirconium alloy was increased by thermo-mechanical treatment. A solenoid (inside diameter, 4 mm; outside diameter, 2.5 cm) made from highly superconductive drawn wires was used for creating a magnetic field of 35,000 oe at the temperature of liquid helium where the superconductivity of the alloy (25 % zirconium) vanished in a magnetic field of 80,000 oe. The superconductive solenoid is a low-capacity accumulator of magnetic energy. 3 liters of liquid helium is consumed per month. The solenoid costs 5,000 rubles. There are 2 figures.

Card 1/1

SAVITSKIY, Ye.M.; BARON, V.V.; KARASIK, V.R.; AKHMEDOV, S.Sh.; PAKHOMOV, V.Ya.;  
BYCHKOVA, M.I.

Producing a high magnetic field with the aid of a niobium-zirconium  
alloy. Prib. i tekhn. eksp. 8 no.1:182-183 Ja-F '63. (MIRA 16:5)

1. Fizicheskiy institut AN SSSR.  
(Magnetic fields) (Niobium-zirconium alloys)

REVOKATOV, O.P.; AKHMEDOV, S. Sh.

Precision current stabilizer for an electromagnet. Prib. i tekhn. eksp.  
10 no.1:212-213 Ja-F '65. (MIRA 18:7)

1. Fizicheskiy fakul'tet Moskovskogo gosudarstvennogo universiteta.

L 37745-66 EWT(m)/EFP(t)/ETI IJP(c) JD/GD/JXT(CZ)

ACC NR: AT6014762

SOURCE CODE: UR/0000/65/000/000/0120/0122

AUTHORS: Akhmedov, S. Sh.; Vylegzhanina, T. N.

ORG: none

71  
B+1

TITLE: Device for measuring the critical temperature of superconductors

SOURCE: Soveshchaniye po metallovedeniyu i metallofizike sverkhprovodnikov. 1st, 1964. Metallovedeniye i metallofizika sverkhprovodnikov (Metallography and physics of metals in superconductors); trudy soveshchaniya, Moscow, Izd-vo Nauka, 1965, 120-122

TOPIC TAGS: superconductivity, critical temperature, diamagnetism, electric resistance, *TEMPERATURE INSTRUMENT*

ABSTRACT: Two devices for measuring the critical temperature of superconductors are described. The first is based on the diamagnetic effect (see Fig. 1). A superconducting solenoid creating an alternating magnetic field is placed around a small Dewar flask inside of which are mounted identical coils. When the specimen is in the normal state, the emf induced in each coil compensates the other. When the specimen goes into the superconducting state, the magnetic field is excluded from the coil containing the specimen, and the compensation is destroyed. The temperature is controlled by means of a heater wrapped around a thin-walled German silver tube containing liquid helium, which is thermally coupled to the specimen by a copper base.

Card 1/2



L 37745-66

ACC NR: AT6014762

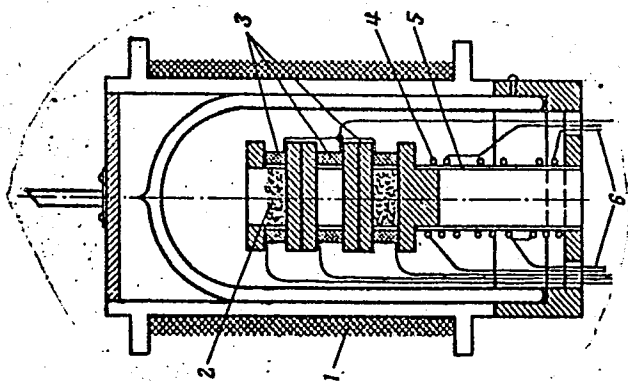


Fig. 1. Device for measuring the critical temperature of superconductors according to the magnetic moment.  
 1 - induction solenoid;  
 2 - specimen; 3 - coils;  
 4 - heater; 5 - German silver tube; 6 - leads.

The second device, while similar in most respects to the first, detects the appearance of electrical resistance in the specimen when it makes the transition from the superconducting to the normal state. Both devices are capable of measuring the critical temperature to an accuracy of 0.01K. Orig. art. has: 1 equation and 2 figures.

SUB CODE: 20, 14/      SUBM DATE: 23Dec65

Card 2/2    vmb

AKHMEDOV, S.

Properties of IEvgrafov's function of class  $H_0$ . Izv. AN Uz.  
SSR.. Ser. fiz.-mat. nauk 9 no.1:9-20 '65. (MIRA 18:6)

1. Institut matematiki imeni Romanovskogo AN UzSSR.

AKHMEDOV, Sh.T. --

"Alkylation of Naphthylene With Unsaturated Hydro-carbons." Cand Chem  
Sci, Azerbaydzhan U, Baku, 1954. (RZhKhim, No 20, Oct 54)

Survey of Scientific and Technical Dissertations Defended at USSR  
Higher Educational Institutions (10)

SO: Sum. No. 481, 5 May 55

AKHMEDOV, SH.T.

AID P - 1276

Subject : USSR/Chemistry  
Card 1/1 Pub. 119 - 5/5  
Authors : Mamedaliyev, Yu. G. and Akhmedov, Sh. T. (Baku)  
Title : Alkyl derivatives of naphthalene  
Periodical : Usp. khim., 23, no. 7, 876-900, 1954  
Abstract : Methods of preparation, characteristics, and uses of alkyl derivatives of naphthalene are reviewed. Eleven tables, 4 diagrams, 95 references (30 Russian: 1911-53).  
Institution : None  
Submitted : No date

MAMEDALIYEV, Yu.G., professor; ~~AKHMEDOV, Sh.T.~~

Alkylation of naphthalene by unsaturated hydrocarbons contained in  
cracked gasoline. Uch.zap.AGU no.1:23-32 '55. (MLRA 9:11)  
(Naphthalene) (Alkylation) (Olefins)

S/081/61/000/024/030/086  
B138/B102

AUTHOR: Akhmedov, Sh. T.

TITLE: Synthesis of alkyl derivatives of ethylene naphthalene

PERIODICAL: Referativnyy zhurnal. Khimiya, no. 24, 1961, 208, abstract  
24Zh108 (Uch. zap. Azerb. un-t. Fiz.-matem. i khim. ser.,  
no. 1, 1961, 67-72)

TEXT: In the process of the study of the hydrocarbons of natural lubricating oil mixtures by the alkylation of ethylene naphthalene (I) with olefines in the presence of  $H_2SO_4$ , alkyl-substituted of I were obtained.

Olefine is added to I in a solvent (or not), after 20 to 30 min concentrated  $H_2SO_4$  is added for 40 min. After 2 hr the organic layers separate and the products of reaction are divided up by the usual treatment. The following amounts were added, in the following order: I, g; olefine, g;  $H_2SO_4$ , g; solvent, g; followed by reaction temperature °C and yield of reaction products, %, boiling point °C/mm,  $n_D^{20}$ ,  $d_4^{20}$ : 46.2 amylene (IIa),

Card 1/2

AKHMEDOV, Sh.T.; GADZHIYEV, G.Yu.

Biphenyl condensation by n-butyl chloride. Uch. zap. AGU. Ser.  
fiz.-mat. i khim. nauk no.2:49-52 '61. (MIRA 16:7)

S/081/63/000/002/074/088  
B149/B144

AUTHORS: Akhmedov, Sh.T., Gadzhiyev, G. Yu., Akhmedova, R.

TITLE: Alkylation of diphenyl with gaseous unsaturated hydrocarbons

PERIODICAL: Referativnyy zhurnal. Khimiya, no. 2, 1963, 466-467,  
abstract 2P166 (Uoh. zap. Azerb. un-t. Ser. fiz-matem. i  
khim. n. no.4, 1961, 73-79)

TEXT: A calculated amount of diphenyl (I) was poured into a round-bottomed flask fitted with a stirrer; de-aromatized ligroin served as solvent, while the following were used as catalysts (CT): dehydrated  $AlCl_3$  in alkylations with  $C_2H_4$  (II),  $H_2SO_4 + AlCl_3$  in reactions with  $C_3H_6$  (III), and powdered Al plus  $AlCl_3$  in some other experiments. The flask was placed on a water bath to maintain a given temperature. The alkylated product was separated from the complex and from the sulfuric acid layer in a separating funnel; the hydrocarbon layer was neutralized with soda, washed with water and dried over  $CaCl_2$ . After removal of the solvent from the catalyzate, the residue was fractionated in vacuo at

Card 1/2



Alkylation of diphenyl with ...

S/081/63/000/002/074/088  
B149/B144

5 mm Hg. Several constants of the synthesized alkyl derivatives of I were determined. Alkylations of I by II were carried out at 75-80°C; the amount of catalyst was 10% of the total amount of I and II, with varying molar ratios of I and II and varying rates of feeding raw materials. It was shown that the yield of diethyl derivatives of I increased with increase of the molar ratio I : II; with equimolar amounts of I and II the reaction proceeded poorly in the presence of  $AlCl_3$ , but on addition of trace amounts of Al powder to the CT the reaction was intensified. Alkylations of I by III were also performed under various conditions. It was found that the yield of di-isopropyl diphenyl was increased with an increase of the molar ratio III : I. The yield of the alkylated product in the presence of  $AlCl_3$  is greater than that in the presence of  $H_2SO_4$ . The products obtained by alkylation with  $H_2SO_4$  have physical constants, slightly differing from those of the products of alkylation of diphenyl by II and III in the presence of  $AlCl_3$ , which activates the substitution in meta-orientation. Alkyl diphenyls are widely used as oils for diffusion pumps. [Abstracter's note: Complete translation.]

Card 2/2

AKHMEDOV, Sh.T.; GUSEYNOV, D.A.; MIRZOYEV, B.M.

Synthesis of cymenes by alkylation of toluene. Uch. zap. AGU. Ser.  
fiz.-mat. i khim. nauk no.5:59-75 '61. (MIRA 16:6)  
(Cymene) (Toluene) (Alkylation)

AKHMEDOV, Sh.T.; GADZHIYEV, G.Yu.

Alkylation of biphenyl by unsaturated hydrocarbons. Uch. zap. AGU.  
Ser. fiz.-mat. i khim. nauk no.5:83-90 '61. (MIRA 16:6)  
(Alkylation) (Biphenyl) (Hydrocarbons)

AKHMEDOV, Sh.T.; GADZHIYEV, G.Yu.

Alkylation of biphenyl of olefins. Azerb. khim. zhur. no.3:  
39-47 '62. (MIRA 16:12)