

Approved For Release 2001/08/07 : CIA-RDP83T00573R000300170007-7
ODP # 0-1312

SG/ADB/FAS-80/13
22 September 1980

MEMORANDUM FOR THE RECORD

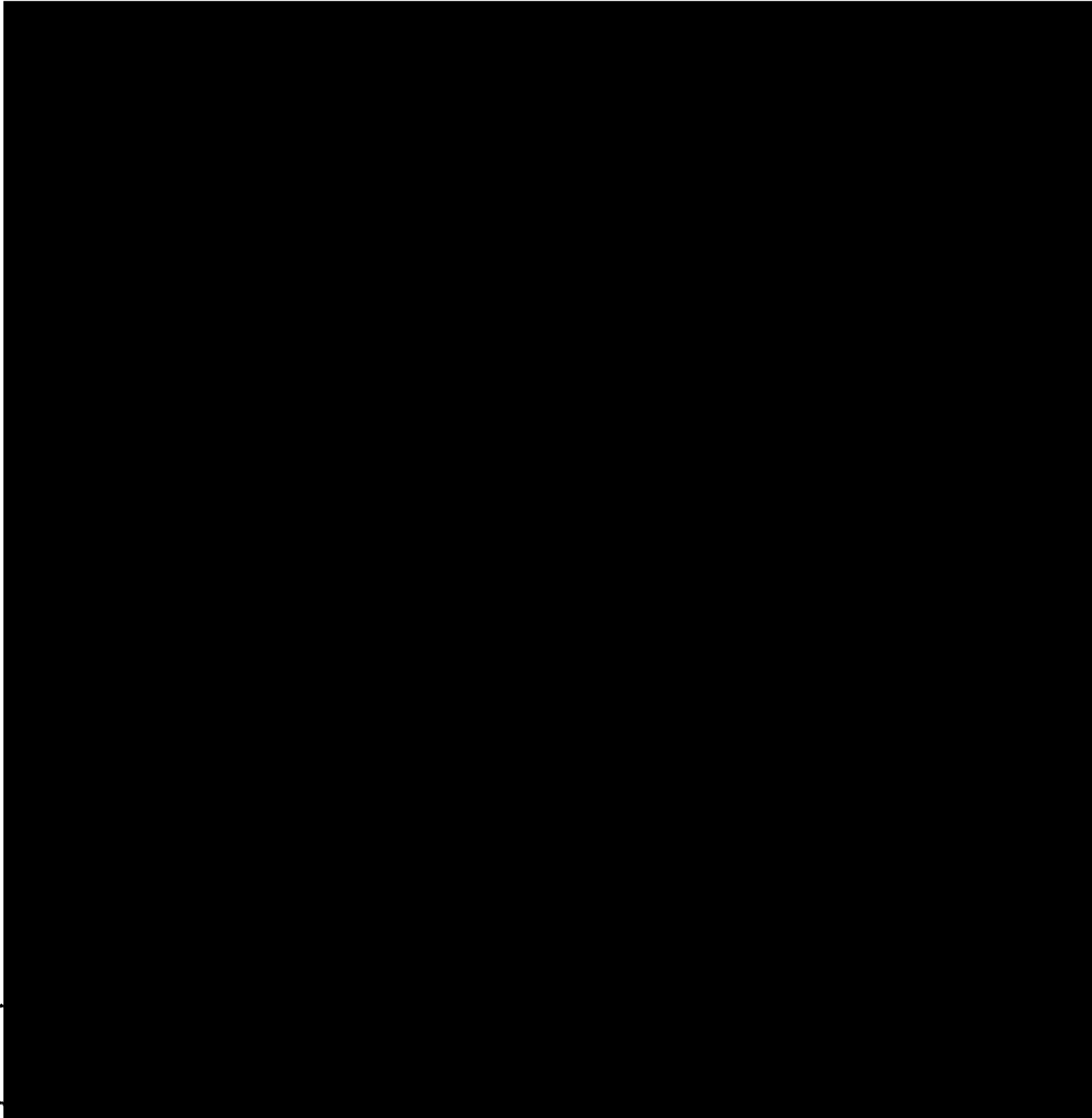
25X1C

FROM : [REDACTED]
Chief, SC/ADB/FAS

25X1C

SUBJECT : [REDACTED] Meeting of 11 September 1980,
re: Overseas Automation (S)

25X1C



25X1C

Approved For Release 2001/08/07 : CIA-RDP83T00573R000300170007-7

Next 3 Page(s) In Document Exempt

Approved For Release 2001/08/07 : CIA-RDP83T00573R000300170007-7

TEMPEST

• TIME

• MONEY

11 SEPT 80

OBJECTIVES

- ① AGENCY STANDARD CRT
- ① WELL ENGINEERED TEMPEST TERMINAL
- ① FLEXIBLE AND MODULAR
- ① REPLACEMENT FOR DD5260 BOUGHT IN 1971
- ① NEW FUNCTIONS:
 - . MORE STORAGE
 - . ADDITIONAL EDITING
 - . CONCURRENT PRINTING
 - . SPLIT SCREEN CAPABILITY
- ① UPGRADEABLE TO A DESK TOP COMPUTER
 - . DATA ENTRY
 - . WORD PROCESSING
 - . SMALL FILES
 - . FUTURE NEEDS

11 SEPT 80

HISTORY

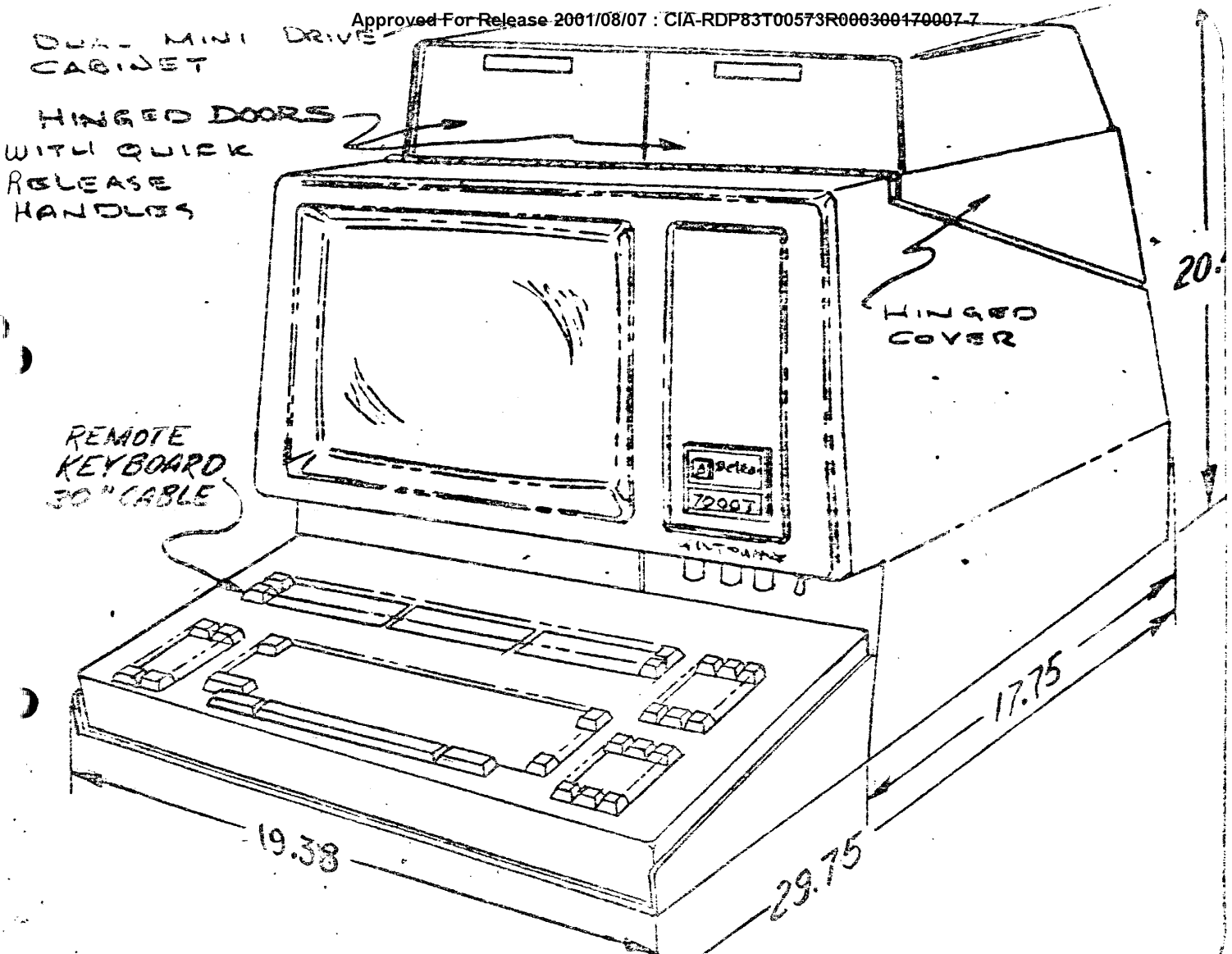
- 1971 - SELECTED TTY AS STANDARD TERMINAL INTERFACE
- 1971 - RFP FOR 25 - 5260's
 . (WE BOUGHT OVER 800)
- MARCH 1977 - AGENCY REQUIREMENTS STUDY
- JUNE 1978 - RFP ISSUED
- FEB 1979 - AWARD TO DELTA DATA
- OCT 1979 - FIRST DELIVERY
- OCT 1980 - BASE LINE VERSION

11 SEPT 80

DELTA DATA TERMINAL

- FULL TEMPEST
- AGENCY STANDARD
 - ODP
 - NPIC
 - DDO
 - SAFE
- MAY BE STANDARD FOR
 - OC
 - OSO
 - OTS
 - NSA
- SMART CRT TERMINAL
- POWERFUL DESK TOP COMPUTER

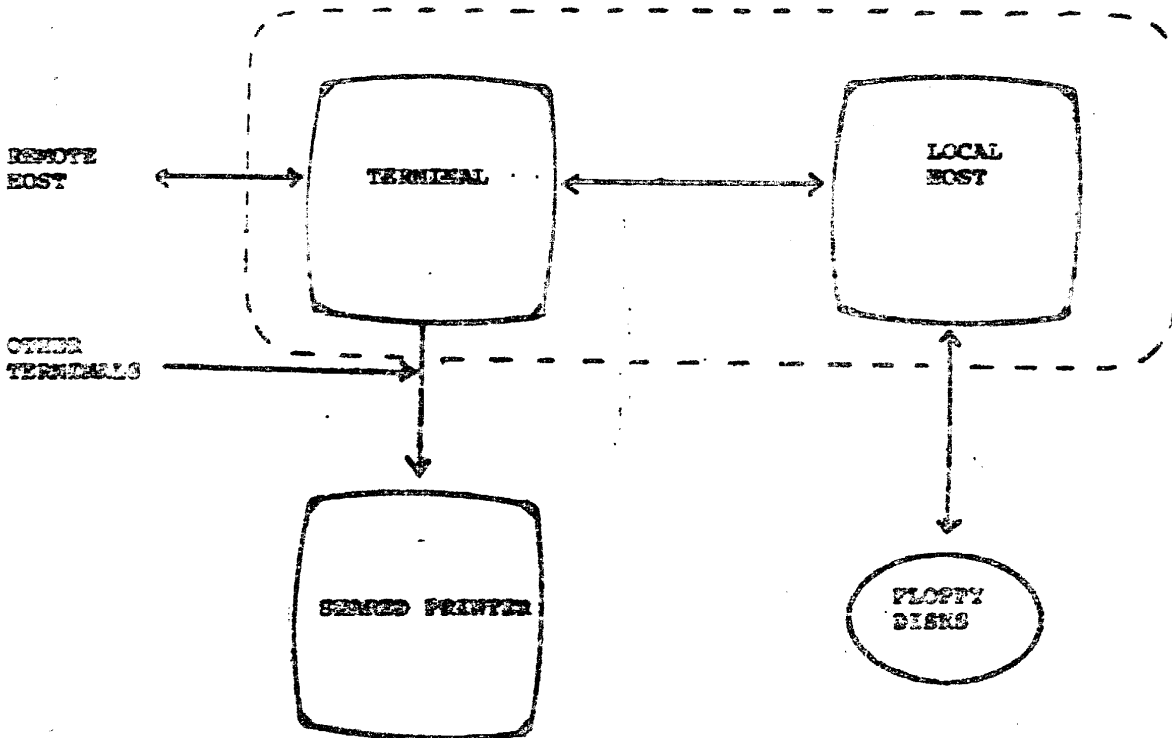
11 SEPT 80



COST FY-80

TEMPEST TERMINAL	\$ 5,229
8" TEMPEST DISK DRIVES	\$ 7,060
5" TEMPEST DISK DRIVES	\$ 3,753
LIGHT PEN	\$ 786

CONFIGURATION



UBJECT

EM
CATALOG NO.
M CENTER 31

TERMINAL HARDWARE

- TEMPEST CASE WITH:
 - . CRT
 - . KEYBOARD
 - . HOST AND PRINTER PORTS

- TERMINAL CPU CARD (STD CARD)
- DISPLAY CARD (STD CARD)
- I/O CARD (CIA UNIQUE)

11 SEPT 80

HARDWARE OPTIONS

- ① FLOPPY DISKS (FULL TERMINAL)
 - . 2 - 8 INCH DUAL SIDED
 - OR
 - . 2 - 5 INCH DUAL SIDED
- ① SECOND CPU CARD (STD CARD)
- ① MEMORY CARD (STD CARD)
- ① LIGHT PEN (CIA UNIQUE)

11 SEPT 80

HARDWARE DEVELOPMENTS

- 128K MEMORY BOARD
(UPGRADE OF 32K MEMORY BOARD)
- OPTICAL ISOLATION OPTION
- CLUSTER CONTROLLER FOR MPIC

11 SEPT 80

SOFTWARE TERMINAL

EXISTING

- . SPLIT SCREEN
- . ALTERNATE CHARACTER SET
- . MENU SUPPORT
- . BUFFER OF 21,000 CHARACTERS
- . POWERFUL EDITING
- . FUNCTION KEYS

UNDER DEVELOPMENT

- . SAFE ENHANCEMENTS
- . BAUDOT SUPPORT
- . 3 PORT SUPPORT

11 SEPT 80

SOFTWARE LOCAL HOST

EXISTING

- . BASIC
- . FILE SYSTEM

UNDER DEVELOPMENT

- . WORD PROCESSING
- . SIMPLE DATA BASE SYSTEM
- . FINANCE SYSTEM

11 SEPT 80

ODP-0-1150
15 SEP 1980

MEMORANDUM FOR: Chief, IMS/DDO
FROM : Bruce T. Johnson
Director of Data Processing
SUBJECT : Use of PDP 11/34 Minicomputer

STATINTL

1. The attached speed letter announced the availability of excess Digital Equipment Corporation PDP 11/34 and PDP 11/20 minicomputers. [REDACTED] of your staff stated a requirement for a PDP 11/34 and associated peripheral equipment.

STATINTL

2. After evaluating the requirements from interested offices, we are offering to you the use of the PDP 11/34, (serial number 44821), magnetic tape controller with drive and slave drive and DEC writer console. This equipment will remain on ODP accounting and maintenance schedules, as it has been agreed between [REDACTED] and ODP that the equipment will be returned to ODP upon receipt of the primary equipment ordered for the project. Our understanding is that the replacement equipment is due in by March 1981.

STATINTL

3. If you need further assistance or information in this matter, please contact [REDACTED]

/s/ Bruce T. Johnson

Bruce T. Johnson

Attachment: a/s

STATINTL

cc: [REDACTED]

25X1A

DISTRIBUTION:
(ODP/MS/RWJ/ [REDACTED]) (12 SEPT 1980)

- ORIGINAL & 1 - ADDRESSEE
✓ 2 - O/D/ODP
1 - MS CHRONO
2 - ODP REGISTRY

STATINTL		ROUTING AND RECORD SHEET		
SUBJECT: (Optional)				
Meeting of 11 September 1980, re: Overseas Automation				
FROM: STATINTL		EXTENSION		NO.
Chief, Information Management Staff				DATE: 21 Sept 80
TO: (Officer designation, room number, and building)	DATE		OFFICER'S INITIALS	COMMENTS (Number each comment to show from whom to whom. Draw a line across column after each comment.)
	RECEIVED	FORWARDED		
1. Director of Data Processing 2D0105 HQs				<p>The first meeting of the <i>[redacted]</i> working group was held on 26 September 1980. Memorandum for Record on this meeting will follow. C/IMS</p> <p><i>copy to DD/P to share with C/ED</i></p> <p><i>Done (ag) 10/6/80</i></p>
2.		STATINTL		
3. <i>SO</i>			<i>30 Sept 80</i>	
4.				
5. <i>DD</i>			<i>1 Oct 80</i>	
6.				
7. <i>C/MS</i>			<i>9 Oct 80</i>	
8.				
9. <i>CIP4P6</i>			<i>10 Oct 80</i>	
10.				
11. <i>PO/MS</i>			<i>30 Oct 80</i>	
12.				
13. <i>E2 file</i>				
14.				
15.				