

NATIONAL PHOTOGRAPHIC INTERPRETATION CENTER

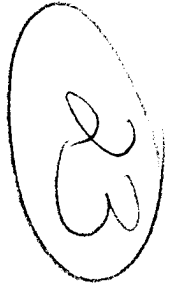


Top Secret



25X1

imagery analysis report



Soviet AAA Divisions (S)

Top Secret



SC-628453/8^{25X1}
IAR-0026/82
APRIL 1982
Copy 170

Page Denied

TOP SECRET

25X1

25X1

SOVIET AAA DIVISIONS (S)

INTRODUCTION

1. [] This report is an imagery-derived assessment of non-divisional antiaircraft artillery (AAA) divisions in the Soviet Union. A Defense Intelligence Agency report dated March 1979¹ on AAA divisions was used as the basis of information for this report. Since March 1979, all five AAA brigades identified in document reference 1 have been upgraded to AAA divisions and four previously unidentified AAA divisions have been identified, bringing the total number of AAA divisions identified in the Soviet Union to 13 (Figure 1 and Table 1).

25X1

2. (S/D) Two types of organizational structures have been identified for AAA divisions. Both types consist of four regiments of antiaircraft (AA) guns (totaling approximately 288 AA guns), a high-altitude surface-to-air missile (SAM) unit, and support equipment. In one type of structure, the SAM unit is an SA-2 (GUIDELINE) SAM regiment (Figure 2 and Chart 1), and in the other, the SAM unit is an SA-4 (GANEF) SAM brigade (Figure 3 and Chart 2). Four of the 13 AAA divisions contain SA-4 SAM brigades while the remaining nine contain SA-2 SAM regiments.

MISSION

3. (S/D) The mission of AAA divisions has traditionally been point defense of key targets along front and army axes of advance and rear areas. In World War II, these units were subordinate to the supreme high command (VGK) and were considered to be national assets defending the homeland. When in combat, AAA divisions may be subordinate to a front or serve as a reserve of the supreme high command (RVGK).

DESCRIPTION

4. (S/D) While AAA divisions are considered to be active organizations within the Soviet ground forces, they are manned at a very low cadre level. An extensive callup of reservists would be needed to bring these units up to a combat-ready status. Because of the low manning level, very low levels of activity are usually observed at these divisions. Training at these divisions appears to be limited to equipment familiarization conducted in a four-, six-, or eight-position AAA training site in the AAA division vehicle park area. These sites will usually have one or two of each type of towed AA gun which is contained in the AAA division.

5. [] The SA-2-equipped AAA divisions consist of an SA-2 SAM regiment and 288 AAA guns which normally include a mixture of the 37mm AA gun M-1939, the 57mm AA gun S-60, and the 100mm AA gun KS-19, which make up four regiments of 72 towed AAA guns each. In addition, low-altitude defense is provided by a varying number of towed antiaircraft machine guns (AAMG) such as the ZPU-4 or ZU-23. The SA-2-equipped AAA divisions were either formed from previously reported¹ AAA brigades or directly from AAA storage areas.

25X1

6. (S/D) An example of a typical SA-2-equipped AAA division is at Zhitomir Headquarters 8th Tank Army/Army Barracks AL-2/SAM Support Facility [] Figure 2), in the Carpathian Military District (MD). This AAA division is equipped with one regiment of 57mm AA guns S-60 and three regiments of 100mm AA guns KS-19.

25X1

[]

25X1

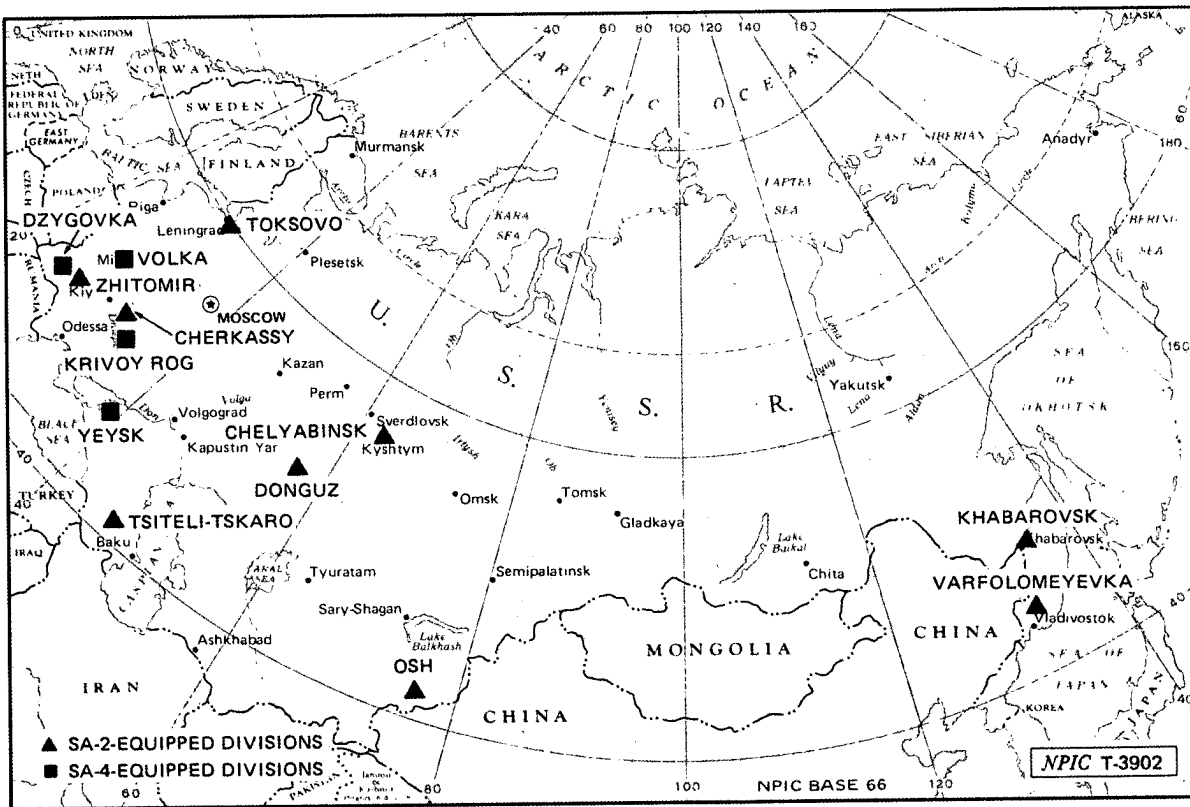


FIGURE 1. LOCATION OF AAA DIVISIONS IN THE SOVIET UNION

**Table 1.
 Status of AAA Divisions in the Soviet Union
 (Keyed to Figure 1)**

This table in its entirety is classified TOP SECRET

Location (MD)	BE Number	SAM Type	Date Upgraded From Brigade (since 1979)	Number of Regts Observed (by type)			Vehicle/Gun Stor Capacity (approx number)		Remarks
				37mm	57mm	100mm	Covered	Open	
Toksovo* (Leningrad)		SA-2	NA	—	—	3	360	200	This AAA division is collocated with an ammo and artillery storage depot
Dzygovka* (Carpathian)		SA-4	Jul 79	1	1	1	352	300	
Volka* (Belorussian)		SA-4	NA	—	—	2	2,000+	1,000+	This AAA division is collocated with the 95th Heavy-Lift Regiment
Zhitomir (Carpathian)		SA-2	NA	0	1	3	256	288	This AAA division is collocated with the headquarters of the 8th Tank Army and subordinate units
Cherkassy* (Kiev)		SA-2	May 80	—	—	—	410	205	This AAA division is collocated with elements of the 41st Guards Tank Division

25X1

25X1

Table 1. (Continued)

Location (MD)	BE Number	SAM Type	Date Upgraded From Brigade (since 1979)	Number of Regts Observed (by type)			Vehicle/Gun Stor Capacity (approx number)		Remarks
				37mm	57mm	100mm	Covered	Open	
Krivoy Rog (Kiev)		SA-4	Nov 80	0.5	1	2.5	123	300	This AAA division is collocated with elements of the 20th Guards Tank Division
Donguz* (Volga)		SA-2	NA	0.5	0.5	0.5	704	300	
Yeysk (North Caucasus)		SA-4	Jul 79	0	4	0	0	1,000+	This AAA division is collocated with an SA-4 brigade subordinate to the MD
Chelyabinsk Chebarkul (both in Ural)		SA-2	Apr 80	0	3.5	0.5	478	400	Chebarkul houses the SA-2 regiment for the AAA division at Chelyabinsk
Tsiteli-Tskaro (Transcaucasus)		SA-2	Aug 79	—	—	—	0	800	This AAA division moved from Lagodekhi [redacted] between Aug 78 and Aug 79; the AAA pieces total 220; however, they are in one area and have not been broken down into their respective regiments
Osh (Central Asia)		SA-2	NA	0	3	1	532	350	The AAA division is collocated with front-level units ²
Khabarovsk** (Far East)		SA-2	NA	0	0	2	40	500	This AAA division is collocated with a rocket troops and artillery workshop and strategic-level engineer facilities and units
Varfolomeyevka (Far East)		SA-2	NA	0	1	3	304100		

*This unit has enough covered storage space to hold the remaining elements of the division; a small number of guns are sporadically observed out of the vehicle storage area(s) but not in sufficient numbers to designate regimental areas.

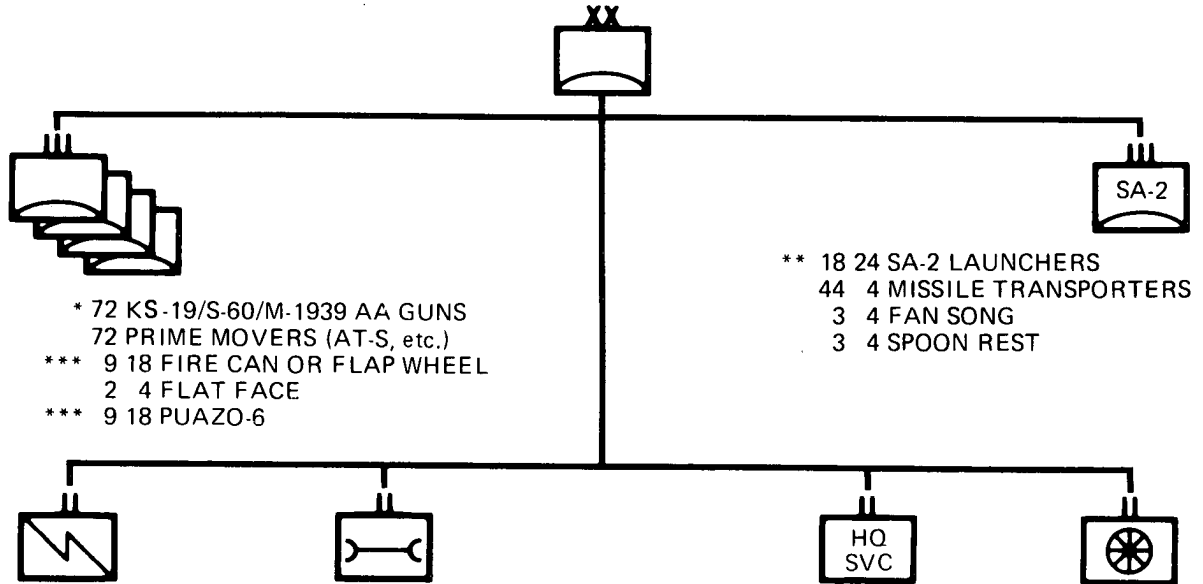
**This unit, although classified as an AAA division, is smaller than normal and will probably be filled out when activated; an eight-position 100mm AA gun KS-19 training site has been observed in the AA gun storage area.

7. (S/D) The SA-4-equipped AAA divisions at Krivoy Rog Army Barracks AL-2 (Chart 2) is representative of the remaining four AAA divisions identified in the Soviet Union. Like the SA-2-equipped AAA divisions, they also consist of 288 towed AAA pieces which may include the 37mm AA gun M-1939, the 57mm AA gun S-60, and the 100mm AA gun KS-19. The SA-4-equipped AAA division comprises four AA regiments and an SA-4 brigade in place of the SA-2 regiment. Low-altitude defense is provided by an undetermined number of towed AAMG.

8. (S/D) The division at Krivoy Rog (Figure 3) is one of two SA-4-equipped AAA divisions formed from an AAA brigade. The other two SA-4-equipped AAA divisions were formed from SA-2-equipped AAA divisions by removing the SA-2 SAM regiment and replacing it with an SA-4 SAM brigade.

Chart 1. AAA Division (SA-2 Equipped)

This chart in its entirety is classified SECRET/WNINTEL



*The exact type of equipment observed in each division varied, probably depending upon availability and tailoring of the unit for local needs. AA machine guns may also be present in undetermined numbers.

**An additional battery may have been added to the SA-2 regimental organization.

***Number of fire control and acquisition radars vary depending upon battery size.

NPIC T-3905

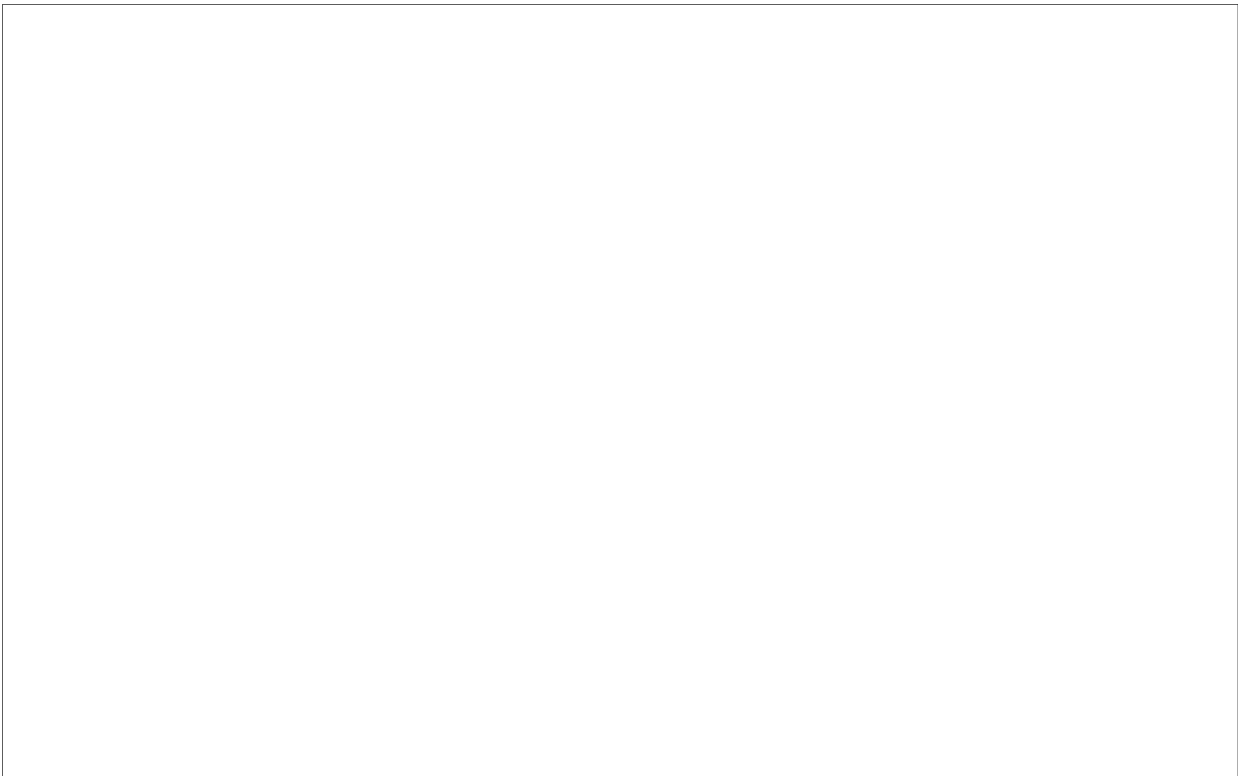
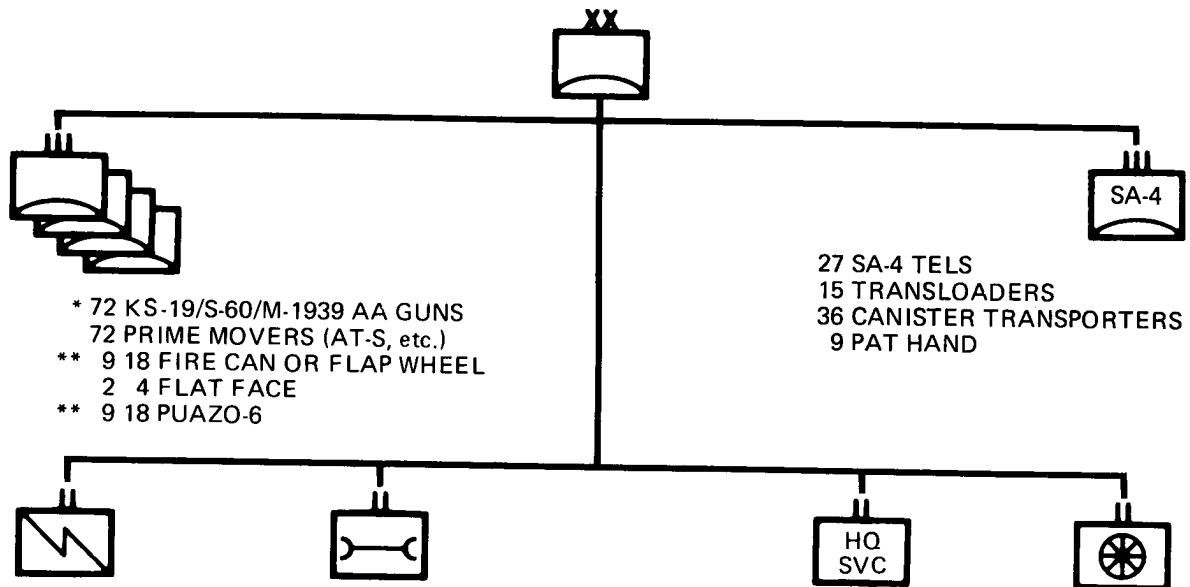


Chart 2. AAA Division (SA-4 Equipped)

This chart in its entirety is classified SECRET/WNINTEL



*The exact type of equipment observed in each division varied, probably depending upon availability and tailoring of the unit for local needs. AA machine guns may also be present in undetermined numbers.
**Number of fire control and acquisition radars vary depending upon battery size.

NPIC T-3906

9. (S/D) The armament (weapons and equipment) of the AAA divisions is maintained and replaced, as required, by workshops of the rocket troops and artillery (RTA) of the ground forces. AAA weapons are also maintained in mobilization reserve storage areas and depots. These weapons can also be deployed to form new units.

CONCLUSIONS

10. (S/D) The continuing formation of AAA divisions demonstrates a Soviet belief in the use of AA weapons for point air defense of troop control and rear area facilities. The retention of these AAA divisions also demonstrates the Soviet intention to use these assets to relieve organic divisional air defense units of their point air defense roles, freeing them to support maneuver forces. These AAA divisions, which have the capabilities to employ missile and AAA weapons, considerably enhance the Soviet operational/tactical air defense posture.

Page Denied

TOP SECRET [redacted]

25X1

REFERENCES

IMAGERY

(S/D) All relevant satellite imagery acquired prior to [redacted] was used in the preparation of this report.

25X1

DOCUMENTS

1. DIA. DDB-1100-221-79, *Soviet AAA Divisions: An Initial Assessment (U)*, Mar 79 (SECRET, [redacted])
2. DIA. DDB-1100-130-81-SI, SI-271337/81, *Combined Soviet Ground Order-of-Battle (U)*, Aug 81, p290 (TOP SECRET [redacted])

25X1
25X1

25X1

*Extracted material is classified TOP SECRET U

(S) Comments and queries regarding this report are welcome. They may be directed to [redacted] Warsaw Pact Forces Division, Imagery Exploitation Group, NPIC, [redacted]

25X1
25X1

Top Secret



Top Secret