

INFORMATION REPORT

CD NO. 25X1A

COUNTRY USSR (Moscow Oblast)
SUBJECT Radio Station near Kommunarka
25X1A

DATE DISTR. 7 Feb. 1952

NO. OF PAGES 3

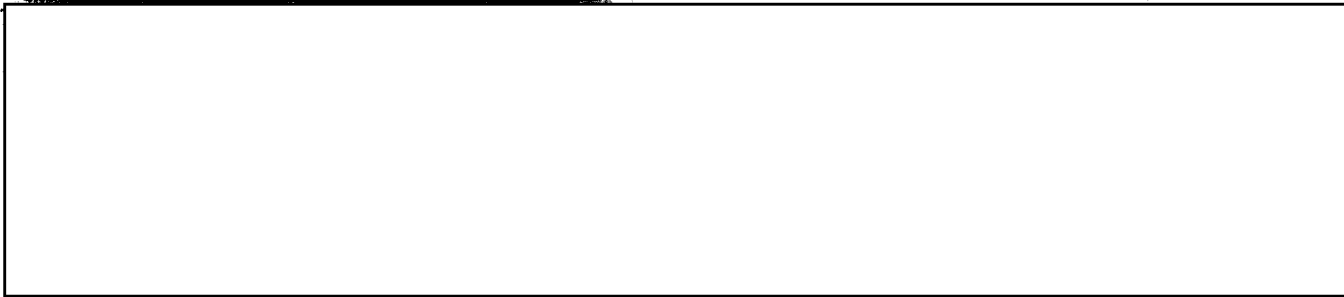
NO. OF ENCLS. 8 (10 pages)
(LISTED BELOW)

SUPPLEMENT TO REPORT NO. 25X1X



25X1 [REDACTED] CONTAINS INFORMATION AFFECTING THE NATIONAL DEFENSE

THIS IS UNCLASSIFIED INFORMATION



25X1
25X1

1. [REDACTED] two radio installations near Kommunarka (55°36'N/37°27'E). (1) One, designated [REDACTED] as the radio central, was located southwest of Kommunarka, Moscow Oblast, in undulating terrain covered by meadows, fields and some large patches of woodland. (2) Chief of this installation was a lieutenant colonel. His staff was composed of several field officers and one major who was the administrative officer and was in charge of the construction work. About 30 employees, most of them women, arrived daily by bus from Moscow. The second radio installation, called the radio station, was north of Kommunarka. (3) Four wooden frames each of them six meters long were manufactured for the station's operations building. On each of these wooden frames three rows of storage batteries were to be mounted.

25X1
25X1

2. [REDACTED] In an area surrounded by a board fence [REDACTED] 100 to 200 closed, blue-gray, two-axle trucks similar to the German radio trucks. The guard personnel wore bluebordered red epaulets. (4)

25X1

3. [REDACTED] a radio installation 25 minutes by truck from Moscow. (5) In a 50 meter circle around were signs forbidding [REDACTED] approach. One antenna system at the installation comprised about 15 masts, 25 meters high; about 75 masts, 15 meters high and 30 meters apart; and about 200 masts, 8 meters high. All the masts were interconnected by two-wire antennas. Ten other masts, 15 meters high, and 25 masts, 8 meters high, were being erected October and November 1949. These masts had not yet been fitted with antennas. Another antenna system comprised 8 masts, 25 meters high; 12 masts, 15 meters high; and 50 masts, 8 meters high. A 20-meter tower was being constructed 120 meters southwest of the main building.

ILLEGIB

SEE PAGE 3 FOR DECLASSIFICATION ACTION

ILLEGIB

epaulets. The installation was inspected several times by officers. According to Soviet workers, they belonged to a Moscow commission headed by a colonel wearing blue epaulets. The approximately 35 employees were officers, and 30 percent were women. Personnel wearing uniforms was also seen in the two-story brick building. The installation was guarded by details of 20 men wearing red epaulets. The barbed wire fence around the area was illuminated at night by lamps 30 meters apart.

5. [redacted] two radio installations near Kommunarka. An airfield was seen in the area south of the chicken farm. (6) The radio station southwest of Kommunarka was in existence even in 1946. It covered an area of about 400x500 meters but was being enlarged toward the east. Outside the fenced-in area four radio towers were being erected and fitted with antennas in the spring of 1948. Within the fence there were 15 to 20 braced masts, 15 meters high, apparently arranged in three rows. The masts were interconnected by multi-wire antennas, 40 to 50 meters long. Some wires led to the roofs of two buildings. Officers and their dependents were billeted in eight three-story buildings beside the radio installation. The officers wore a brown service cap with a blue ribbon around it and a red star within a cluster of silver leaves.

6. From January to late February 1948 [redacted] a second radio station in a woods. A sign at the entrance gate of the fenced-in installation bore the lettering "Radio Stantsiya". Some of the buildings of the installation were completed, others were still being built. In January 1948, three radio towers with antennas were seen there. By late February 1948 they had been removed. However, [redacted] preparations for the erection of new masts. (7)

7. [redacted] a station southwest of Kommunarka, a town which had population of 2,000 to 2,500 and was the terminal of a railroad line branching off from the Moscow-Podolsk railroad line. The radio installation was already in existence in 1946. It was later enlarged. In the area, which was some hundred meters square, were 60 to 100 masts, 15 meters high and interconnected by wires. Also observed here were several buildings apparently with two stories. In 1948 [redacted] a heavy cable which came from Moscow, touched the Kommunarka radio installation and from there ran to the south [redacted] a radio installation similar to that in Kommunarka was being built near Teply Stan. (8)

Comments:

(1) See Annex [redacted] sketch indicating the location of the two radio installations.

(2) See Annex 2 [redacted] layout sketch of the "Radio Central". From Annexes 1 and 2 it is inferred that this radio installation is identical to that previously reported as located north of the chicken farm. [redacted]

(3) See Annex 3 for a layout sketch of the "Radio Station" and Annex 4 for a sketch of the masts of this installation. This "radio station" apparently is the same as that mentioned in a previous report. [redacted]

[redacted] the construction of this installation was started after the fall of 1948.

(4) See Annex 5 [redacted] sketch of the motor vehicle park. The trucks mentioned were possibly radio trucks which were being furnished with additional equipment. According to a previous report, a branch plant of the Koch & Serzel Firm in Dresden was rebuilt in Teply Stan, which is in the vicinity. [redacted]

(5) See Annex 6 for layout sketch of the radio station [redacted] Annex 6 agrees with the data in Annex 1. Annex 7 contains [redacted] sketch of a mast at the radio station.

(6) See Annex 8 for a sketch indicating the location of the radio installations [redacted]

[redacted]

~~CONFIDENTIAL~~

~~CONFIDENTIAL/CONTROL US OFFICIALS ONLY~~

25X1A

CENTRAL INTELLIGENCE AGENCY



(8) It is not clear whether this is a radio station for the airfield near Teplyy Stan or whether the installation is connected with the construction of the plant mentioned Comment 4. 25X1

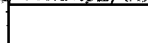
25X1

8 Annexes:a8

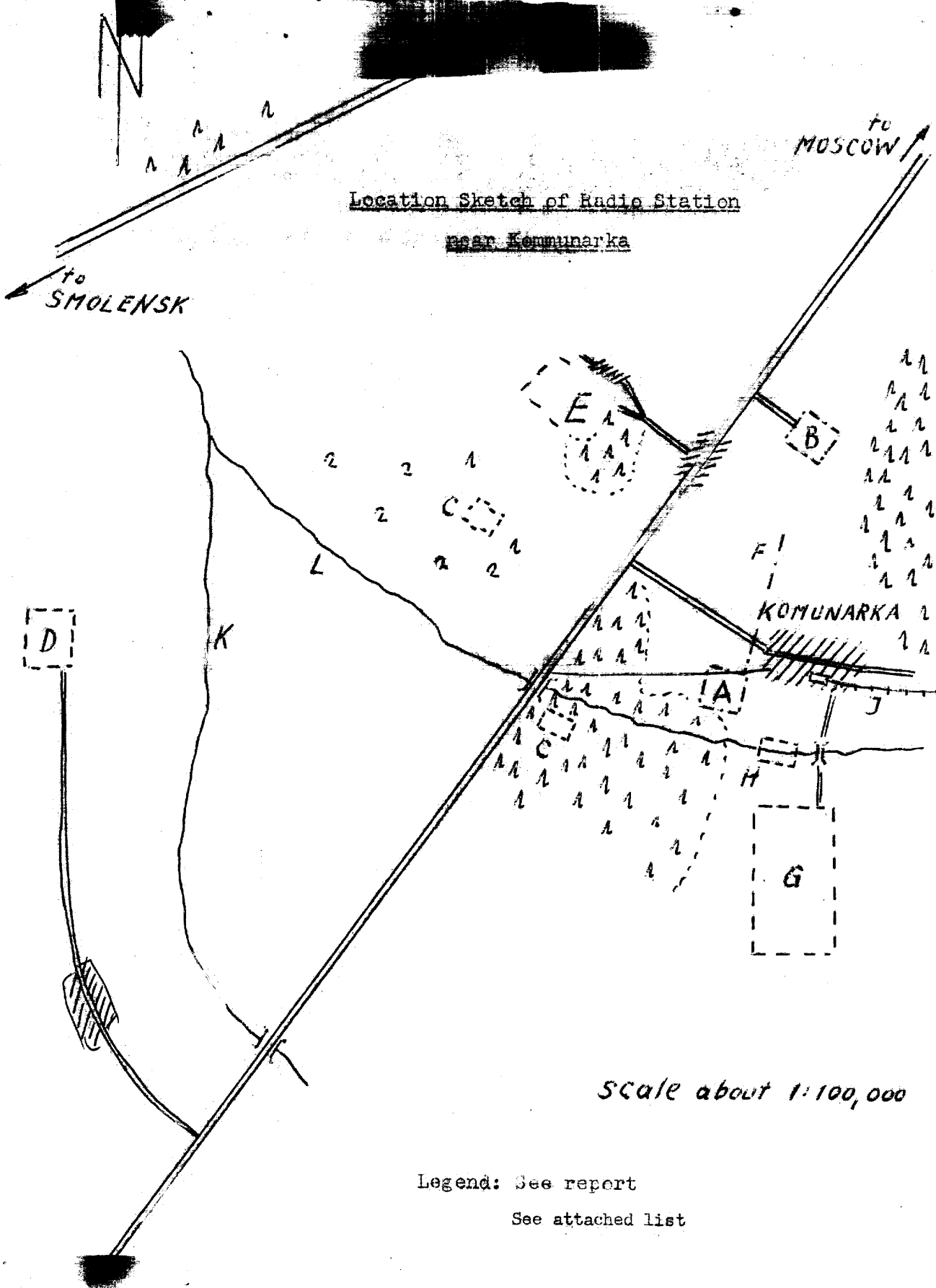
Document No. <u>3</u>
No Change in Class. <input type="checkbox"/>
<input type="checkbox"/> Declassified
Class. Changed To: TS <u>s (6)</u> 25X1
Auth.: HR 70-2
Date: <u>7 SEP 1978</u>

~~CONFIDENTIAL/CONTROL US OFFICIALS ONLY~~

25X1



~~CONFIDENTIAL~~



Scale about 1:100,000

Legend: See report
See attached list

Legend to Annex 1

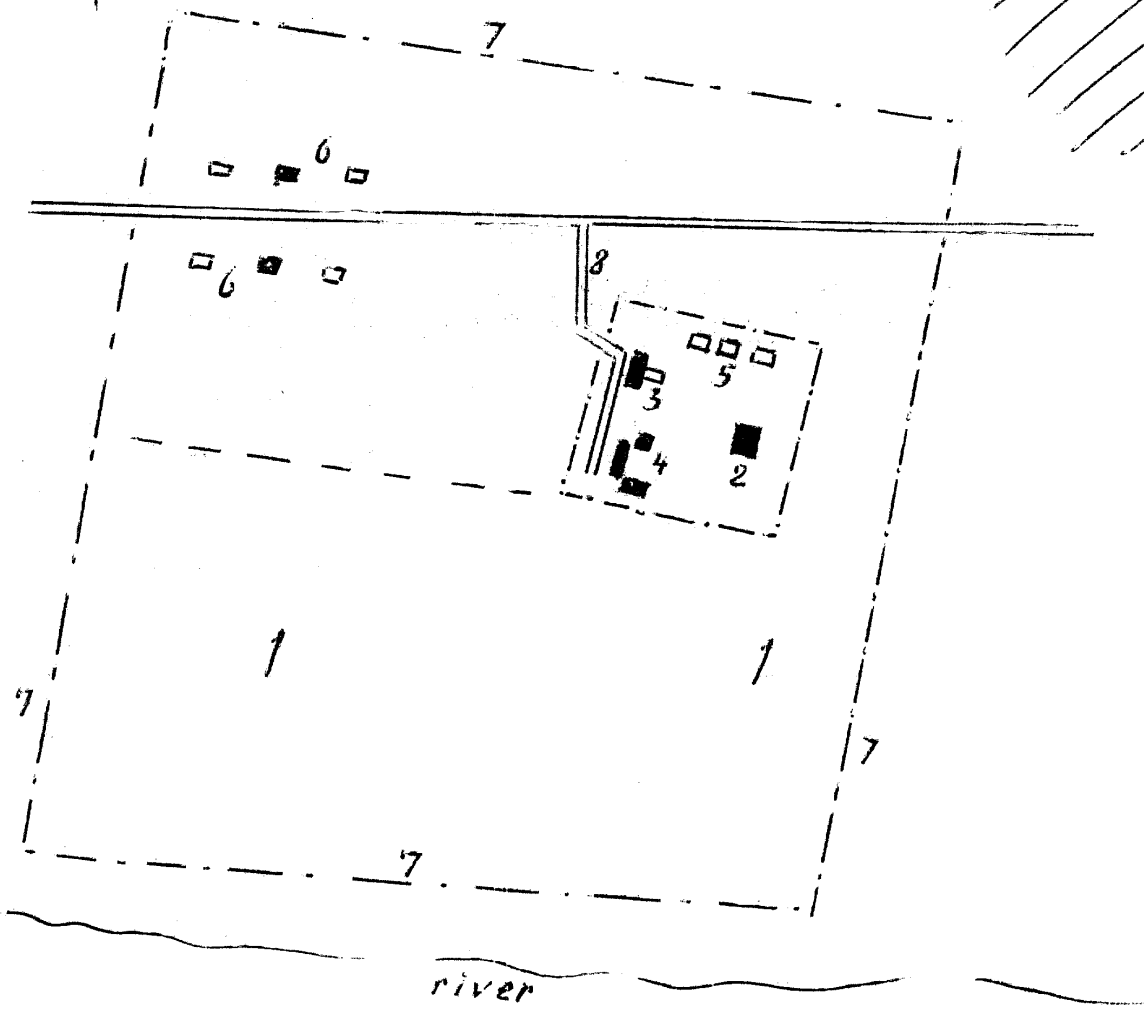
- ~~Legend to Annex 1.~~
- A. Radio Central. See Annex 2.
 - B. Radio Station. See Annex 3.
 - C. System of masts.
 - D. Motor pool.
 - E. Airfield.
 - F. Cable ditch.
 - G. Chicken farm, covering an area 2,000x3,000 meters and having 20 to 30 buildings and numerous huts. It was considerably enlarged from 1947 to 1949.
 - H. Duck farm built in 1949.
 - I. Branch railroad line.
 - K. Wide valley.
 - L. Narrow valley.

CONFIDENTIAL/CONTROL/US OFFICIALS ONLY

25X1A

Installation near Komunarka

KOMUNARKA



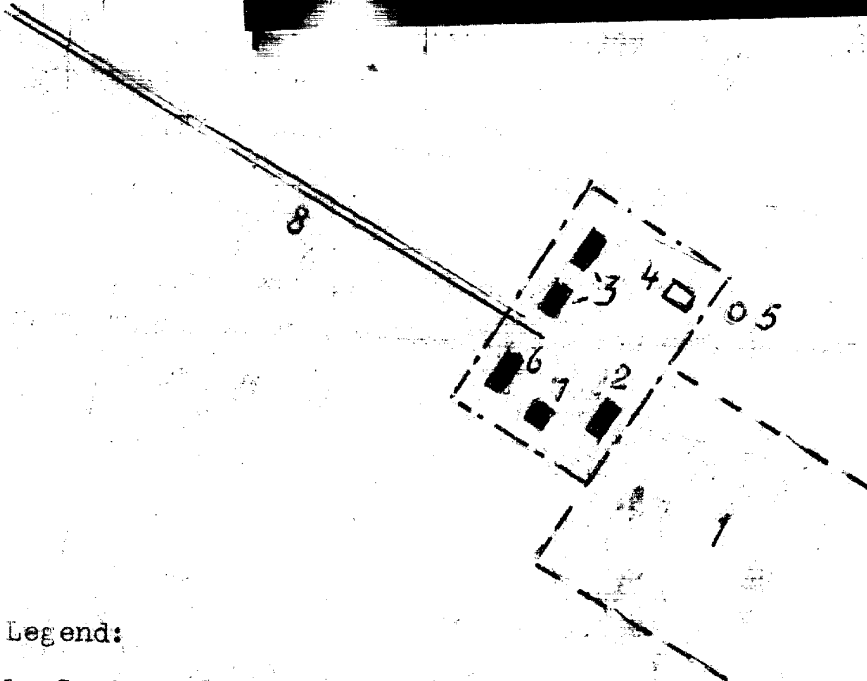
Legend:

Scale about 1:8,000

- 1 A field ^{with} 50 to 100 masts
- 2 Operators building, newly equipped
- 3 One-story building with annex, 10x20 meters
- 4 Garages, workshop and food dump
- 5 Magazine containing metal parts and plywood
- 6 Three-story dwellings houses
- 7 Fences
- 8 Foot path
- 5 Storehouses for metal parts and plywood
- Buildings built from the fall of 1948 to October 1949
- Buildings built prior to 1948

~~CONFIDENTIAL~~
CONTROL-US OFFICIALS ONLY
CENTRAL INTELLIGENCE AGENCY

Annex 3



Legend:

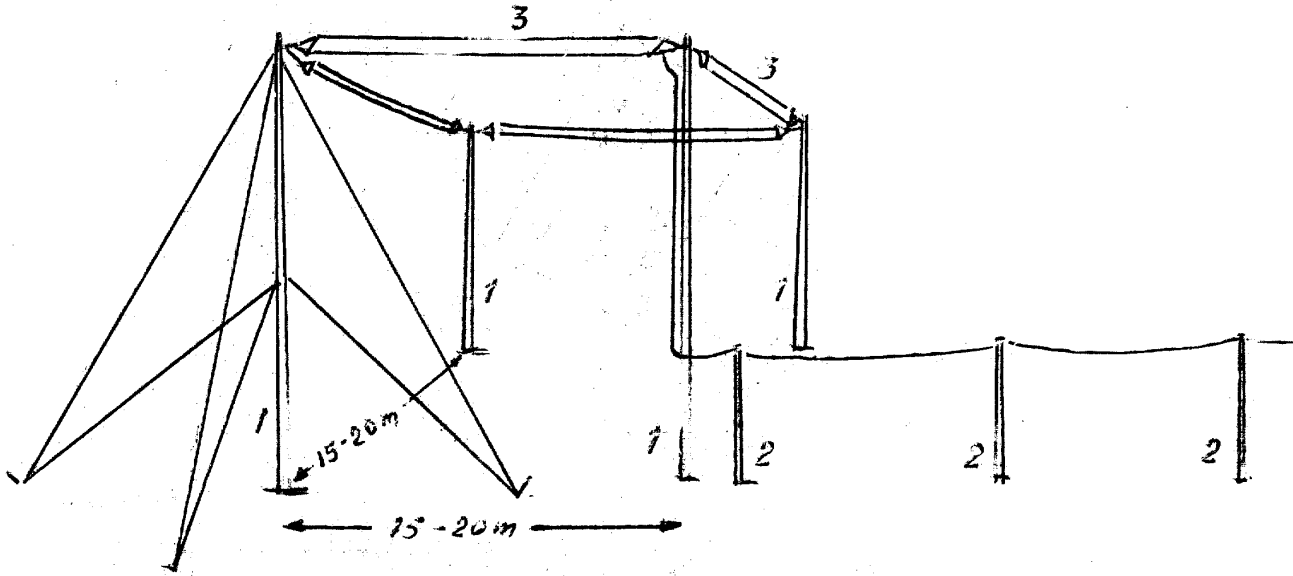
- 1 System of masts
- 2 Three-story operations buildings, 10x20 meters
- 3 Two 3-story dwellings, 10x15 meters each
- 4 Wooden house
- 5 Water tower
- 6 Garage and repair shop
- 7 Underground bunker, storage facilities for fuel barrels
- 8 New asphalt road

scale about 1:5,000

■ Buildings constructed from the fall of 1947 to October 1949

□ Buildings constructed prior to the fall of 1947

CONFIDENTIAL-CONTROL/US OFFICIALS ONLY

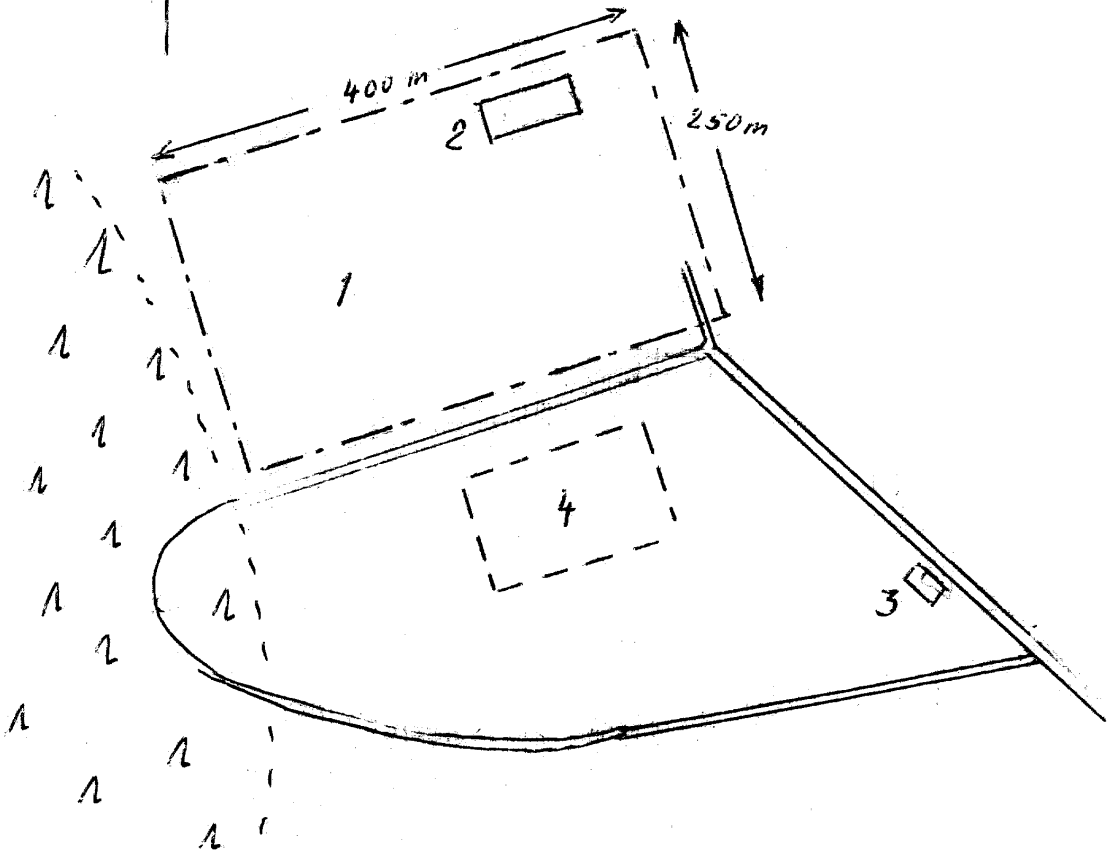


Legend:

- 1 Braced masts 20 meters high
- 2 masts 6 meters high supporting the line leading to the operations building
- 3 Two-wire antennas

~~CONFIDENTIAL~~ CONTROL-US OFFICIALS ONLY

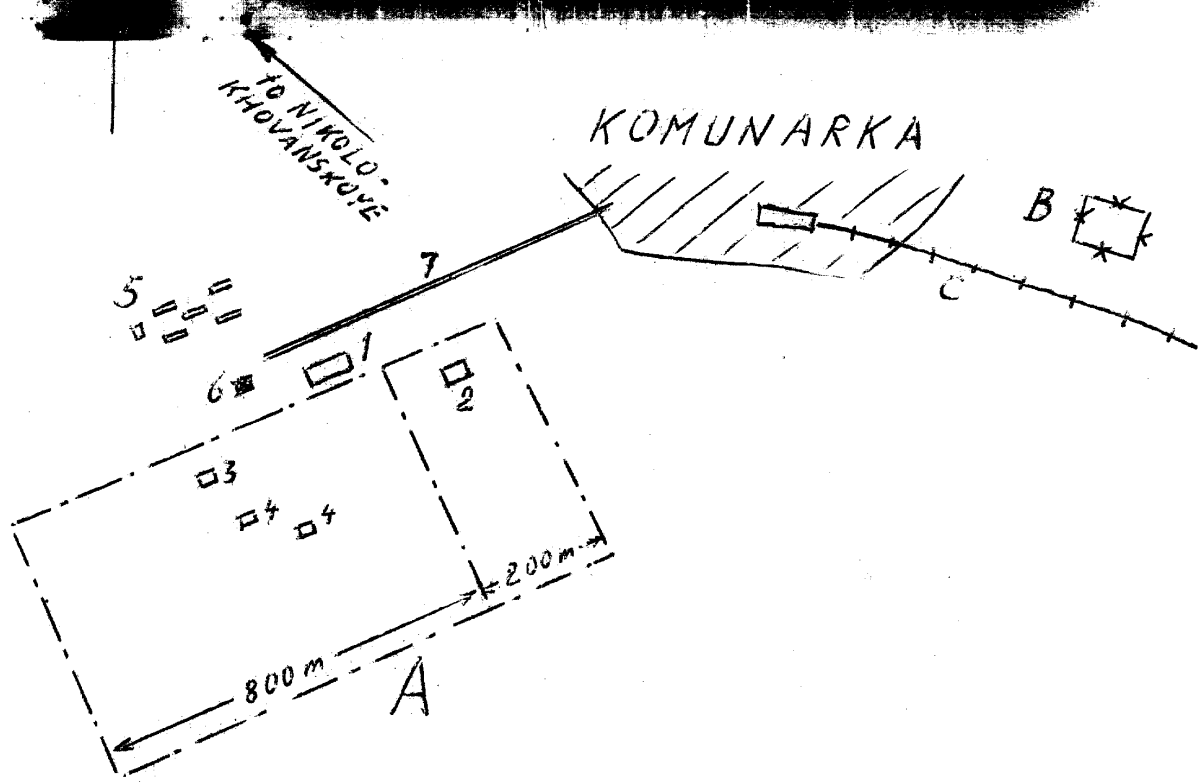
Moscow



Legend:

- 1 Area where 100 to 200 motor vehicles are parked
- 2 Large building with a storage house by its side
- 3 Administration building
- 4 Collective farm

CONFIDENTIAL-CONTROL/US OFFICIALS ONLY

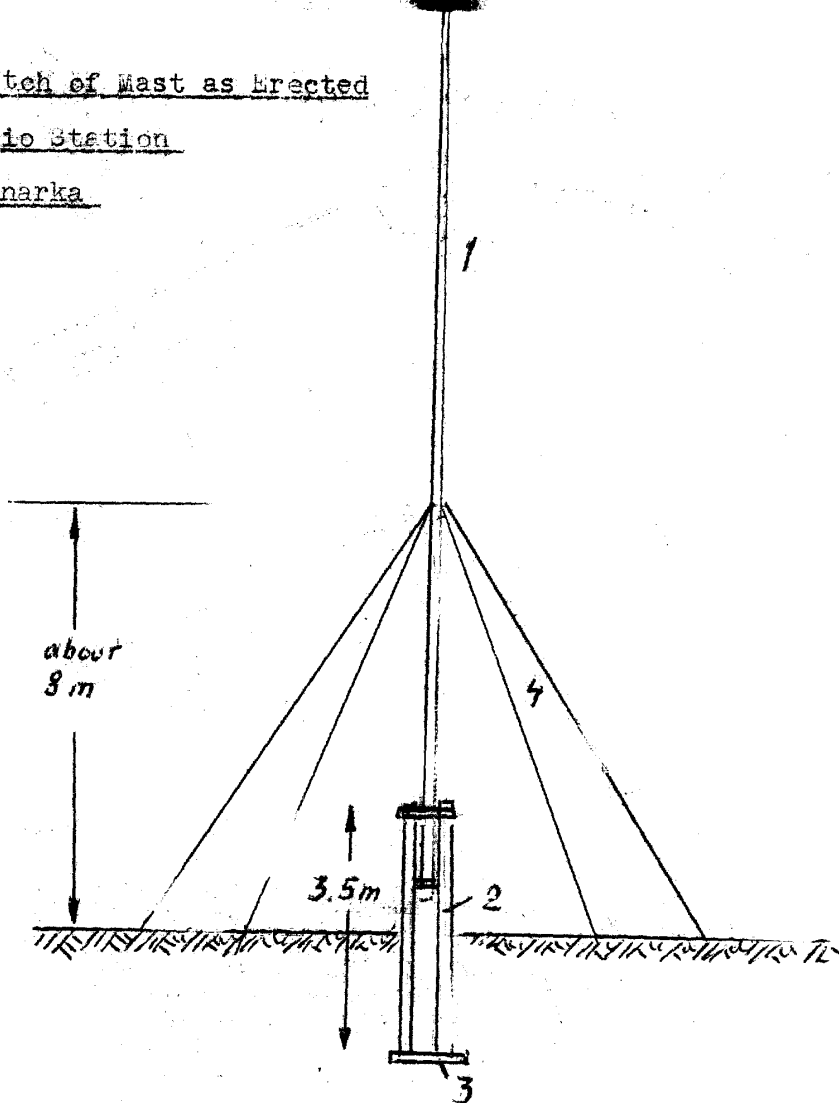


not to scale

Legend:

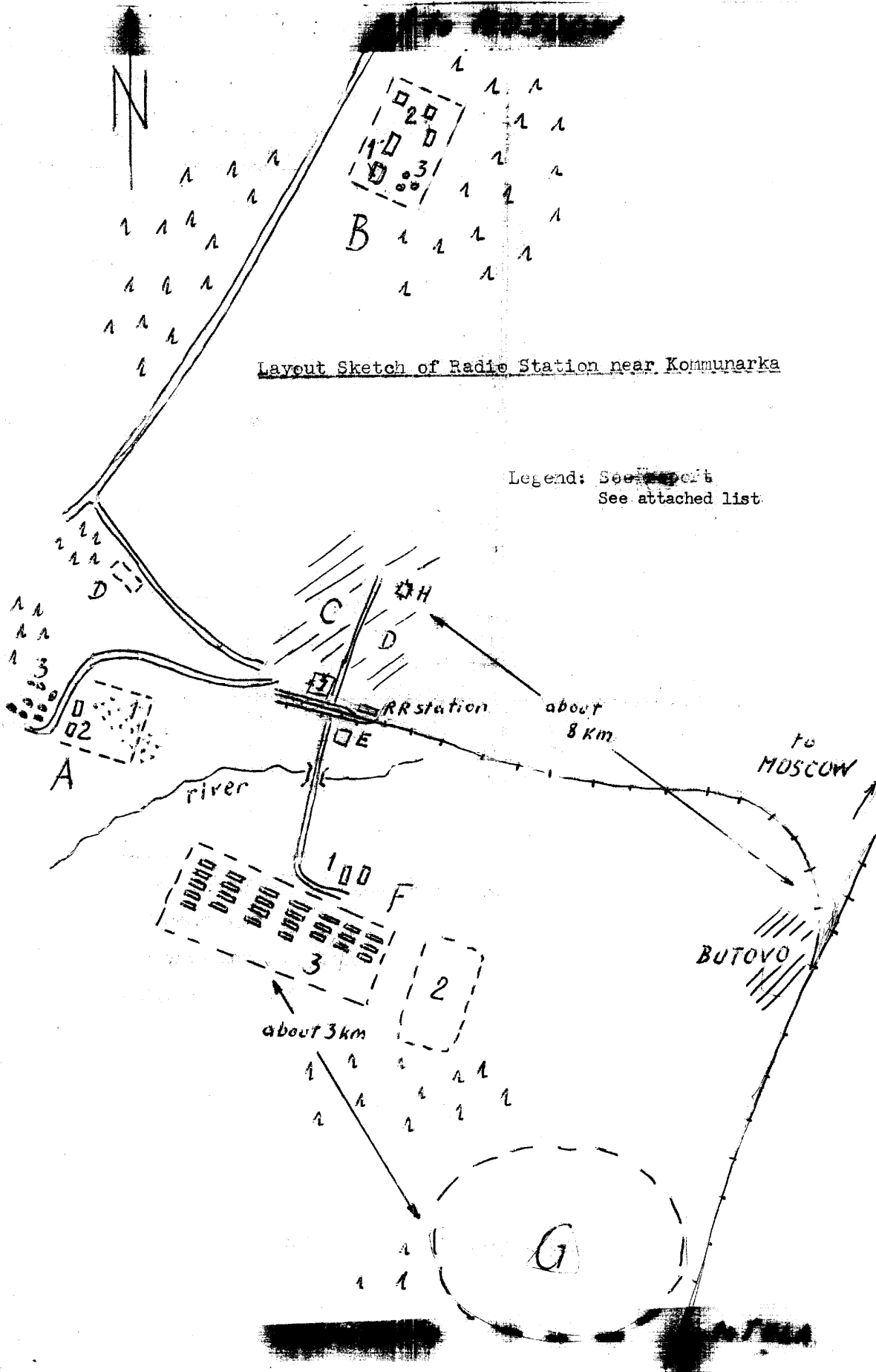
- A Radio station
 - 1 main building, 20x8x6 meters
 - 2 ~~two~~ 2-story brick building, 13x6 meters
 - 3 Repair shop
 - 4 Two buildings with opaque windows
 - 5 Six ~~small~~ buildings, 15x8x5 meters
 - 6 Wooden tower
- 7 Foot path
- B PW camp
- C Branch railroad line

Detail Sketch of Mast as Erected
at the Radio Station
near Kommunarka



Legend

- 1 - Wood mast, 25 meters high, 25 cm thick
- 2 - Wooden base
- 3 - Wooden anchoring device
- 4 - Cables



Layout Sketch of Radio Station near Kommunarka

Legend: See report
See attached list.

Legend to Annex 8

Legend to Annex 8:

- A. Radio Station.
 - 1. Masts.
 - 2. Transmitting station.
 - 3. Officers' billets.
- B. Radio station.
 - 1. Two 2-story buildings newly constructed.
 - 2. Three buildings under construction.
 - 3. Three masts removed in February 1948.
- C. Kommunarka collective farm.
- D. Farms.
- E. Sawmill.
- F. Chicken farm.
 - 1. Administration.
 - 2. Summer farm.
 - 3. Winter farm with 26 buildings.
- G. Butovo airfield.
- H. PW camp
- I. PW summer camp.

CONFIDENTIAL/CONTROL-US OFFICIALS ONLY

25X1A