

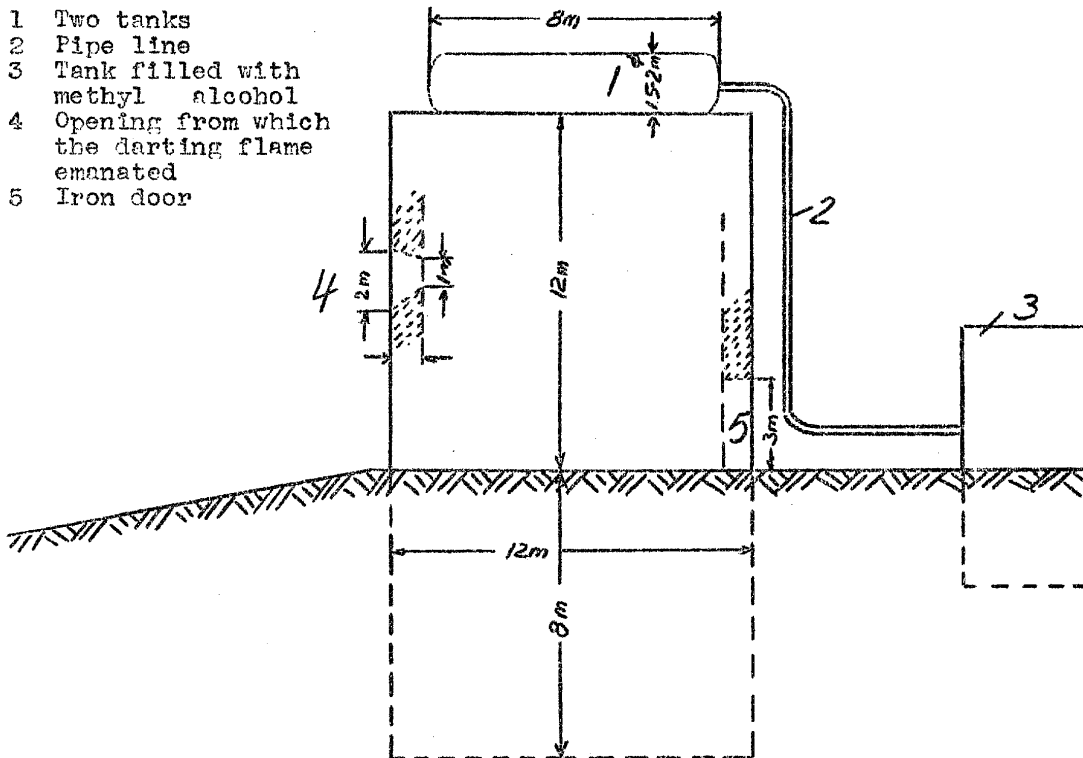
CENTRAL INTELLIGENCE AGENCY

25X1A

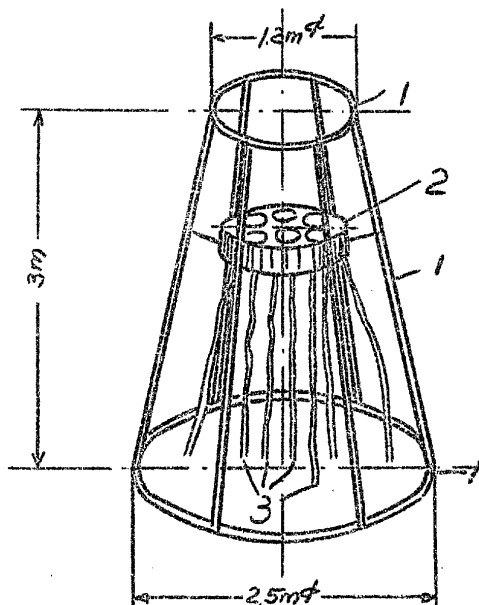
Sketch 3: Test Tower at the Moscow-Khimki V-Weapons Test Station

Legend:

- 1 Two tanks
- 2 Pipe line
- 3 Tank filled with methyl alcohol
- 4 Opening from which the darting flame emanated
- 5 Iron door



Sketch 4: Apparatus Used for the Launching Tests in Moscow-Khimki



Legend:

- 1 Aluminum rings and struts
- 2 Broad ring, about 1 meter in diameter and 25 cm thick. In this ring are fitted six aluminum pots open at the top.
- 3 Schematic representation of an entanglement of pipes